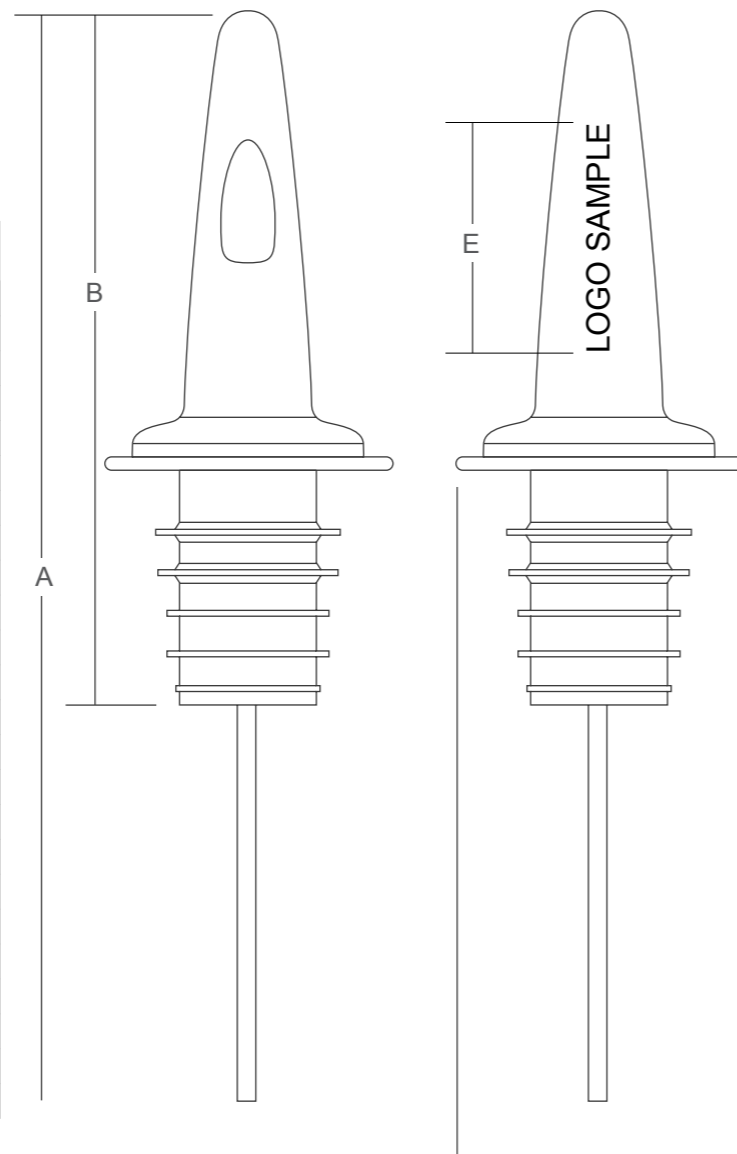




Features & Benefits

- 3 Second count pour speed/with flow control
- Refreshable cork fins
- Constructed from Food Grade ABS/TPR



SPECIFICATIONS	
Item Number	46/BF006
Dimensions	
A - Length	130 mm (5.1 in)
B - Length	33 mm (3.1 in)
C - Height	N/A
D - Diameter	33 mm (1.3 in)
Weight	22 grms (0.04 lbs)
Construction	ABS/TPR
Custom Logo Area	
E - Length	20 mm (0.78 in) (Logo must be positioned on the rear of the BarFlow™)
Decoration Technique	Pad printed

Anatomy	How To Use (3 sec. Pour)	Refreshing corks
<p>1</p> <p>NOTE: For best results, the breather tube should always maintain a straight position. If deformed, it is suggested to replace the breather tube with the extras provided.</p> <p>A. Pour Spout B. Collar & Cork C. Breather Tube</p> <p>Snap-On Measure</p> <p>Place Snap-On measure onto collar/cork to protect from insects/flies</p> <p>"Click"</p> <p>Note: Snap-On Measure sold separately</p>	<p>2</p> <p>1. Lift bottle, cover intake</p> <p>2. Positioning bottle over jigger, air intake closed</p> <p>3. Air intake opened, alcohol released, pouring starts</p> <p>4. Air intake closed, pouring finished, return bottle</p> <p>To remove the breather tube, hold pour spout (A) with one hand and pull & twist the breather tube (C) away from the cork with the other hand</p> <p>To attach breather tube, hold pour spout (A) with one hand and push & twist the breather tube (C) into the small circular recess inside the cork. Twist & push until the breather tube stops turning</p>	<p>3</p> <p>The BarFlow™ parts can be cleaned in warm/soapy water</p> <p>Alternatively the BarFlow™ can be cleaned in soda water</p> <p>After extended use the cork fins may skew upwards</p> <p>To refresh, place BarFlow™ in hot water for 5 seconds</p> <p>The cork fins will return to normal position</p> <p>NOTE: After prolonged use should fins not reset, the collar/cork will need to be replaced as part of normal wear and tear</p>
<p>WARNING NEVER CLEAN WITH ABRASIVE MATERIAL OR HARSH CLEANING CHEMICALS/SOLVENTS THOROUGHLY DRY AFTER CLEANING</p>	<p>WARNING NEVER PLACE ANY PART INTO A GLASS WASHER, DISH WASHER OR BOILING WATER</p>	