

# BarRay™

sting-free straining

## PRODUCT SPECIFICATION

46/BARRAY Chrome  
 46/BARRAY-G Gold  
 46/BARRAY-C Copper

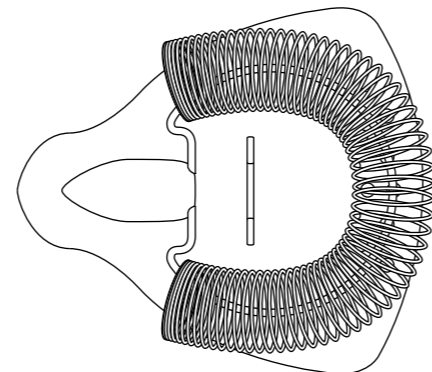
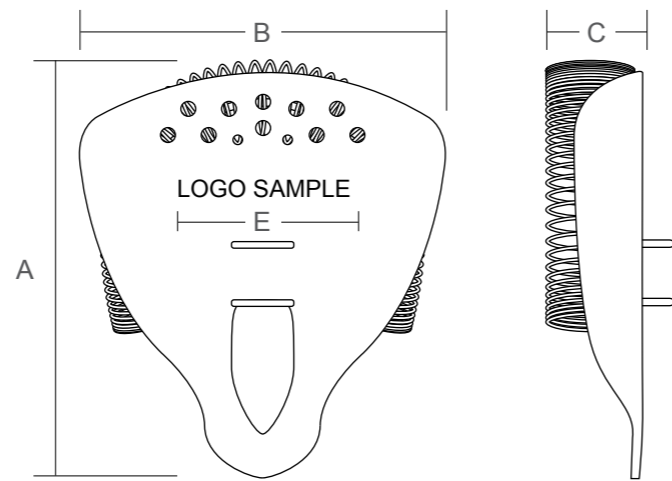


Scan QR code to see video demonstration



### Features & Benefits

- Unique finger rest for controlling liquid flow
- Tight spring coils catches all drink residue
- Balances well on a Boston tin or glass
- Constructed from stainless-steel



SPECIFICATIONS	
Item Number	46/BARRAY, 46/BARRAY-G, 46/BARRAY-C
Dimensions	
A - Length	106 mm (4.1 in)
B - Width	106 mm (4.1 in)
C - Height	29mm (1.14 in)
D - Diameter	N/A
Weight	74 grms (0.15 lbs)
Construction	Stainless-steel
Custom Logo Area	
E - Length	40 mm (1.57 in)
Decoration Technique	Laser engraved

Des.Reg.Pat.

# BarRay™

sting-free straining

## PRODUCT CARE GUIDE

BarRay™ Anatomy	Usage, Washing & Caring
<p>1</p> <p>A. Coils B. Handle</p>	<p>2</p> <p>Place <b>BarRay™</b> on Boston tin/glass</p> <p>Adjust liquid flow by placing index finger on finger rest and moving back and forth</p> <p>Pour liquid into Boston tin/glass</p> <p>The <b>BarRay™</b> can be cleaned by wiping with a soft cloth that has been immersed in warm/soapy water</p>
<p><b>WARNING</b>                  NEVER CLEAN WITH ABRASIVE MATERIAL OR HARSH CLEANING CHEMICALS/SOLVENTS                  THOROUGHLY DRY AFTER CLEANING</p>	<p><b>WARNING</b>                  NEVER PLACE ANY PART INTO A GLASS WASHER, DISH WASHER OR BOILING WATER</p>