

C-Press™

citrus squeezer

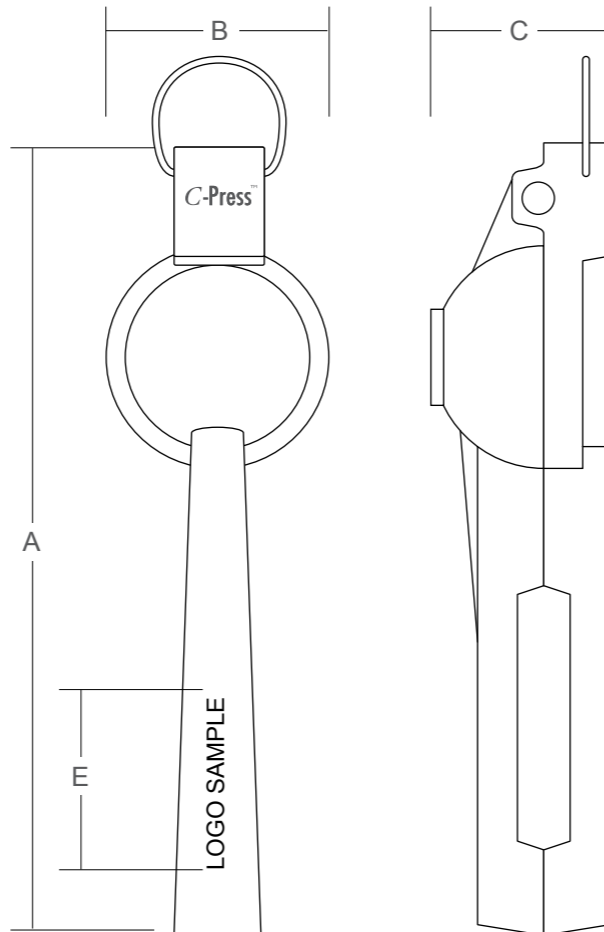
PRODUCT SPECIFICATION

46/CPRESS

Features & Benefits

- ▲ Suitable for limes and lemons
- ▲ Reinforced pivot points for increased durability/strength
- ▲ Constructed from cast aluminium

Scan QR code to see video demonstration



SPECIFICATIONS	
Item Number	46/CPRESS
Dimensions	
A - Length	226 mm (8.89 in)
B - Width	68 mm (2.67in)
C - Height	43 mm (1.69 in)
D - Diameter	33 mm (1.29 in)
Weight	258 grms (0.62 lbs)
Construction	Aluminium
Custom Logo Area	
E - Length	40 mm (1.57 in)
Decoration Technique	Laser engraved

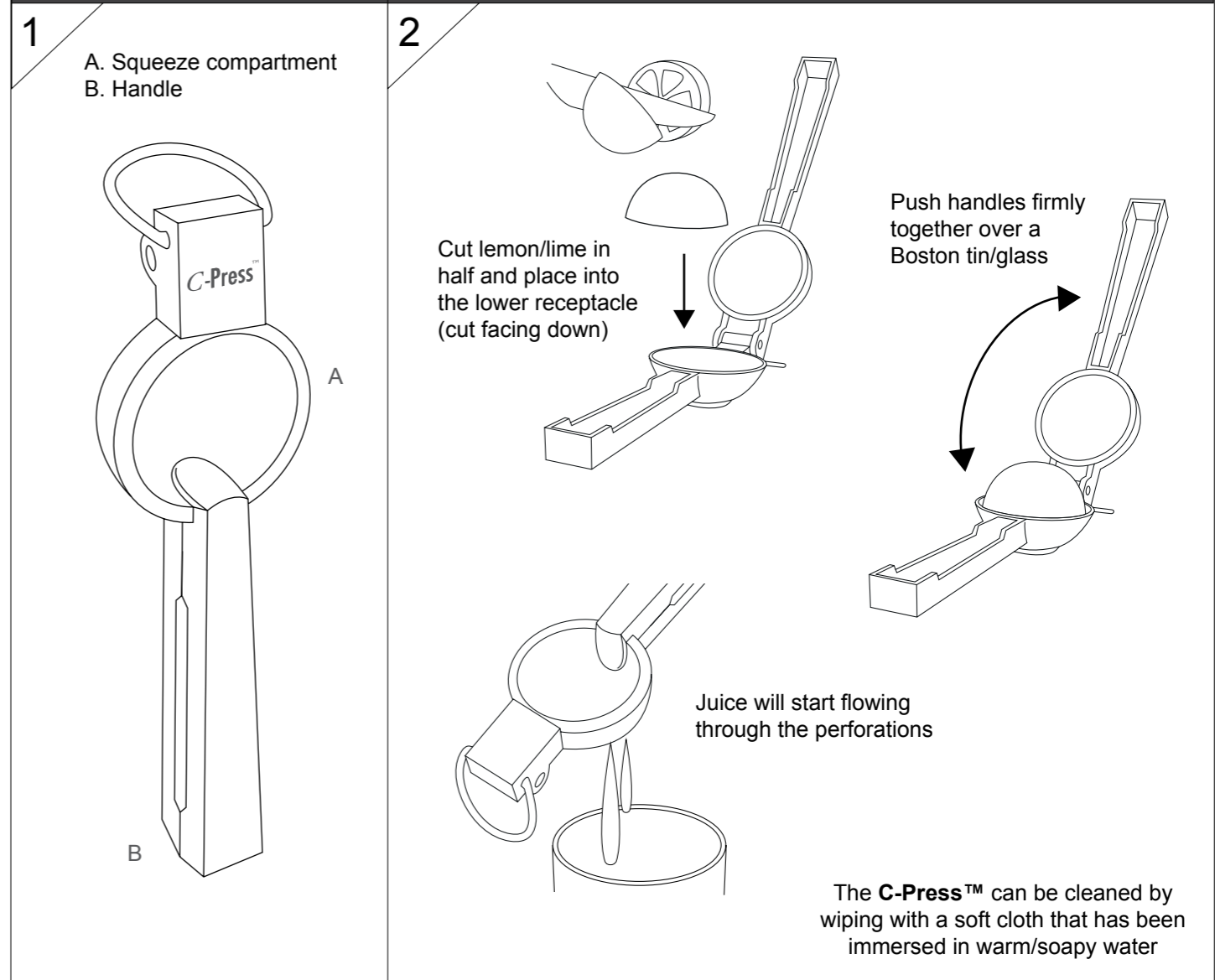
Des.Reg.Pat.

C-Press™

citrus squeezer

PRODUCT CARE GUIDE

C-Press™ Anatomy Usage, Washing & Caring



WARNING
NEVER CLEAN WITH ABRASIVE MATERIAL OR HARSH CLEANING CHEMICALS/SOLVENTS THOROUGHLY DRY AFTER CLEANING

WARNING
NEVER PLACE ANY PART INTO A GLASS WASHER, DISH WASHER OR BOILING WATER

