

BARTENDER CLASSIC Set

PRODUCT SPECIFICATION

| | |
|--------------------|----------------|
| 46/GS-011-WORLD | Chrome |
| 46/GS-011-C-WORLD | Copper |
| 46/GS-011-G-WORLD | Gold |
| 46/GS-011-PB-WORLD | Platinum Black |



Boston Tin

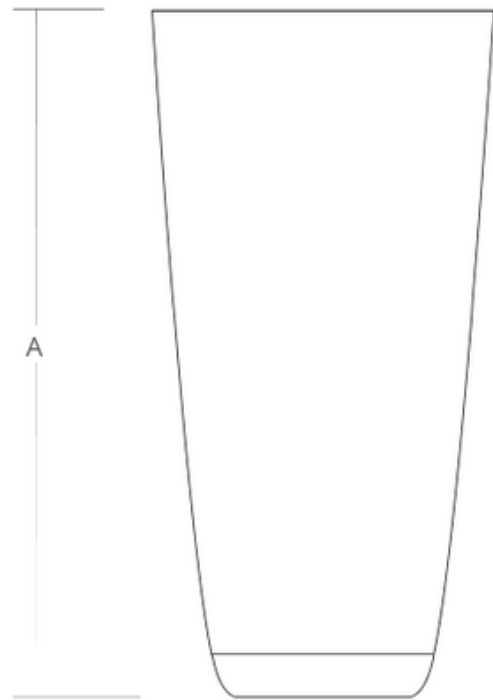
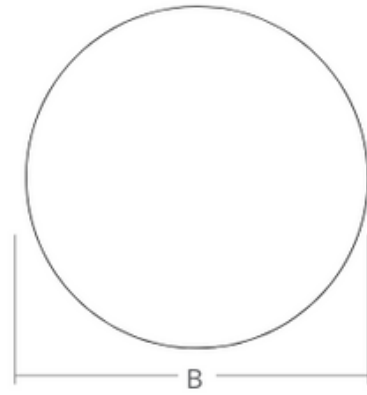
PRODUCT SPECIFICATION

| | |
|-------------|----------------|
| 46/X-005 | Chrome |
| 46/X-005-G | Gold |
| 46/X-005-C | Copper |
| 46/X-005-PB | Platinum Black |



Features & Benefits

- Easy to shake
- Fits tight on Boston Tin
- 800 mL/28 oz volume



| SPECIFICATIONS | |
|----------------|---|
| Item Number | 46/X-005, 46/X-005-G, 46/X-005-C, 46/X-005-PB |
| Dimensions | |
| A - Length | 175 mm (6.8 in) |
| B - Width | 95 mm (3.7 in) |
| Weight | 600 grms (0.9 lbs) |
| Construction | Stainless-steel |
| | |
| | |
| | |
| | |
| | |
| | |
| | |
| | |
| | |
| | |
| | |
| | |
| | |
| | |
| | |
| | |

Boston Tin

PRODUCT CARE GUIDE

Boston Tin Anatomy

Washing & Caring

WARNING
NEVER CLEAN WITH ABRASIVE MATERIAL OR HARSH CLEANING CHEMICALS/SOLVENTS THOROUGHLY DRY AFTER CLEANING

WARNING
NEVER PLACE ANY PART INTO A GLASS WASHER, DISH WASHER OR BOILING WATER

The Boston Tin can be cleaned by wiping with a soft cloth that has been immersed in warm/soapy water. Ensure that all tools are entirely dry after washing

Toby Tin

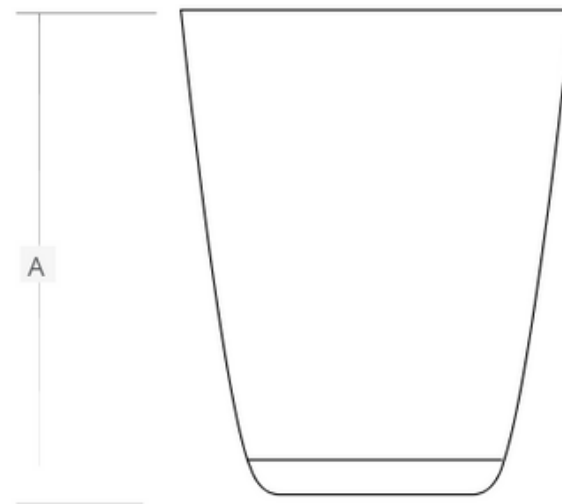
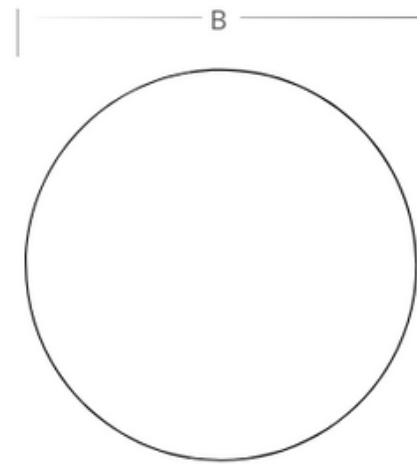
PRODUCT SPECIFICATION

| | |
|-------------|----------------|
| 46/X-034 | Chrome |
| 46/X-034-G | Gold |
| 46/X-034-C | Copper |
| 46/X-034-PB | Platinum Black |



Features & Benefits

- ▶ Easy to shake
- ▶ Fits tight on Boston Tin
- ▶ 500 mL/16 oz volume



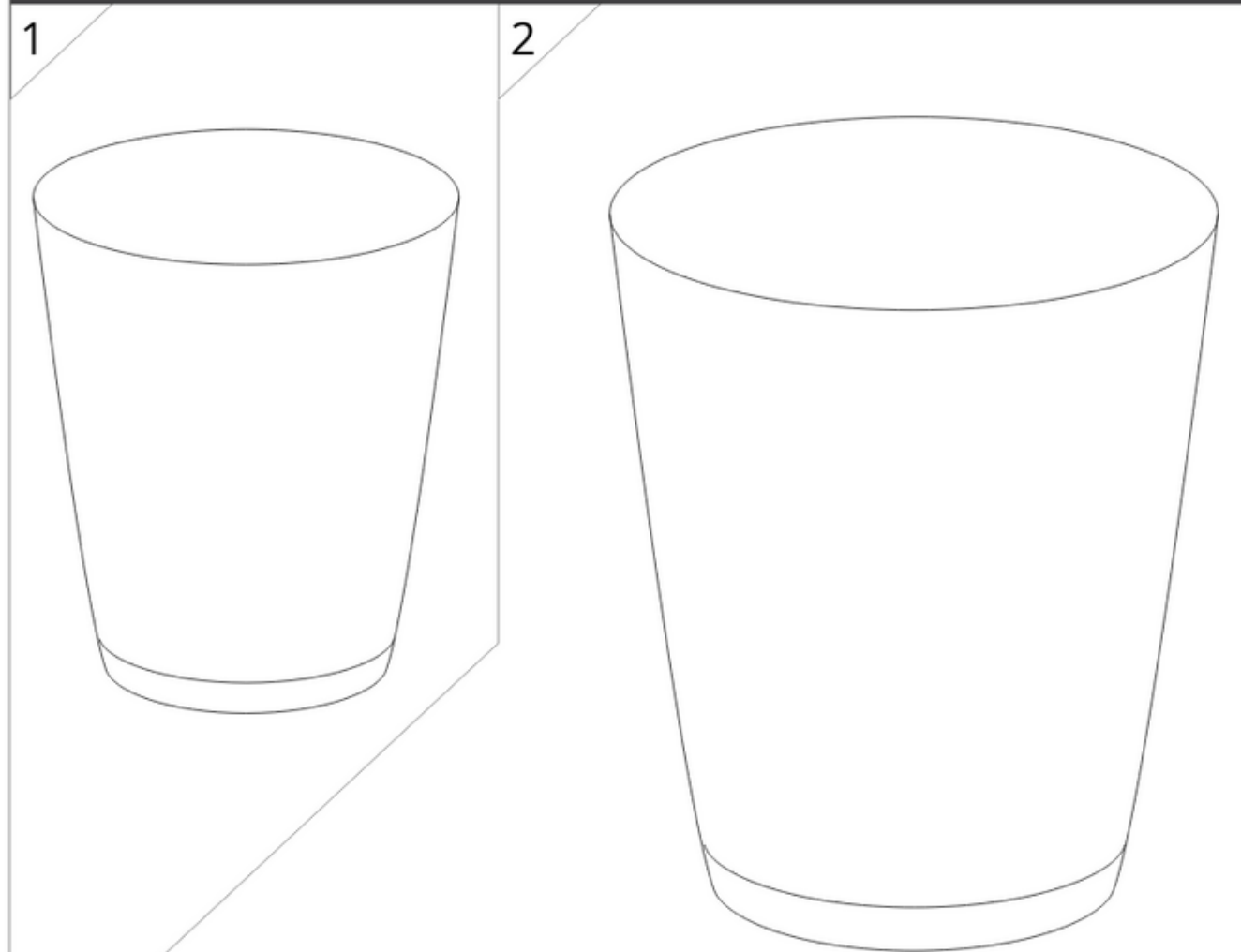
| SPECIFICATIONS | |
|----------------|---|
| Item Number | 46/X-034, 46/X-034-G, 46/X-034-C, 46/X-034-PB |
| Dimensions | |
| A - Length | 115 mm (4.5 in) |
| B - Width | 85 mm (3.2 in) |
| Weight | 400 grms (0.85 lbs) |
| Construction | Stainless-steel |

Toby Tin

PRODUCT CARE GUIDE

Toby Tin Anatomy

Washing & Caring



WARNING
NEVER CLEAN WITH ABRASIVE MATERIAL OR HARSH CLEANING CHEMICALS/SOLVENTS
THOROUGHLY DRY AFTER CLEANING



WARNING
NEVER PLACE ANY PART INTO A GLASS WASHER, DISH WASHER OR BOILING WATER



The Toby Tin can be cleaned by wiping with a soft cloth that has been immersed in warm/soapy water. Ensure that all tools are entirely dry after washing



ProMegJig™

metal, easy, grip

MEDIUM

PRODUCT SPECIFICATION

46/PROMEGJIG-M
46/PROMEGJIG-MG
46/PROMEGJIG-MC
46/PROMEGJIG-RPB

Chrome
Gold
Copper
P/Black

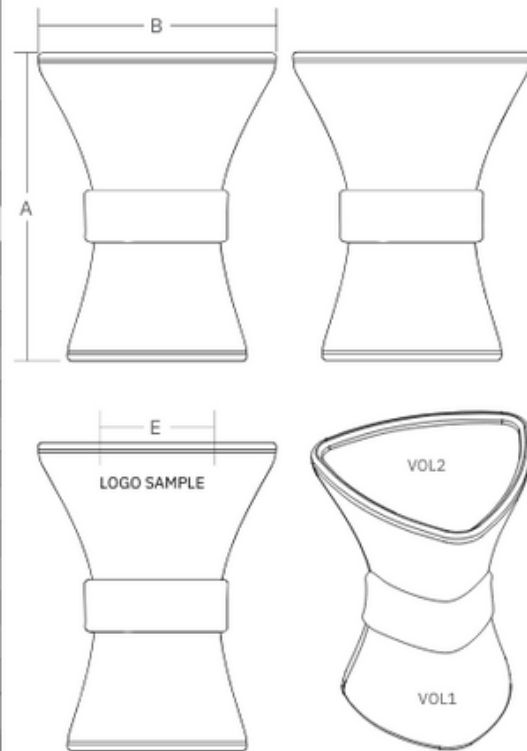


Features & Benefits

- ▲ World's first Flat Pour™ jigger
- ▲ Available in World, US & CAN versions
- ▲ Dual 30/45 mL or 1 Oz/1.5 Oz measures
- ▲ Trilobal shape reduces or eliminates surface lens (meniscus)
- ▲ Angled jigger head provides clean and directed pour streams
- ▲ Pour edges eliminate loss transference from hand shake

*Meniscus adds approx. 3-5 mL (0.1 Oz - 0.16 Oz) of alcohol

| SPECIFICATIONS | | | | |
|----------------------|------------------|------------------|------------------|------------------|
| Item Number | 46/PROMEGJIG-M | 46/PROMEGJIG-MG | 46/PROMEGJIG-MC | 46/PROMEGJIG-MPB |
| Volume Size | | | | |
| VOL1 | 1 Oz (30 mL) | 1 Oz (30 mL) | 1 Oz (30 mL) | 1 Oz (30 mL) |
| VOL2 | 1.5 Oz (45 mL) | 1.5 Oz (45 mL) | 1.5 Oz (45 mL) | 1.5 Oz (45 mL) |
| Dimensions | | | | |
| A - Length | 90 mm (3.5 in) | 90 mm (3.5) | 90 mm (3.5) | 90 mm (3.5) |
| B - Width | 55 mm (2.2 in) | 55 mm (2.2in) | 55 mm (2.2in) | 55 mm (2.2in) |
| Weight | 76grms (0.1 lbs) | 76grms (0.1 lbs) | 76grms (0.1 lbs) | 76grms (0.1 lbs) |
| Construction | Stainless-steel | | | |
| Custom Logo Area | | | | |
| E - Length | 25 mm (0.98 in) | | | |
| Decoration Technique | Laser Engraved | | | |



Des.Reg.Pat.

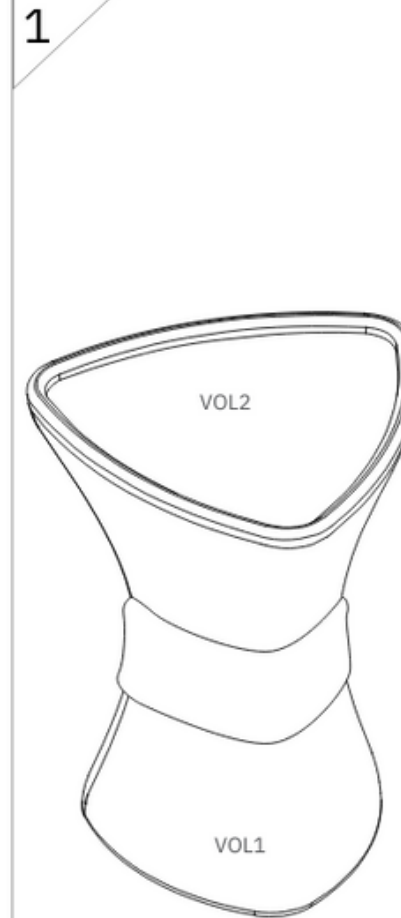
ProMegJig™

metal, easy, grip

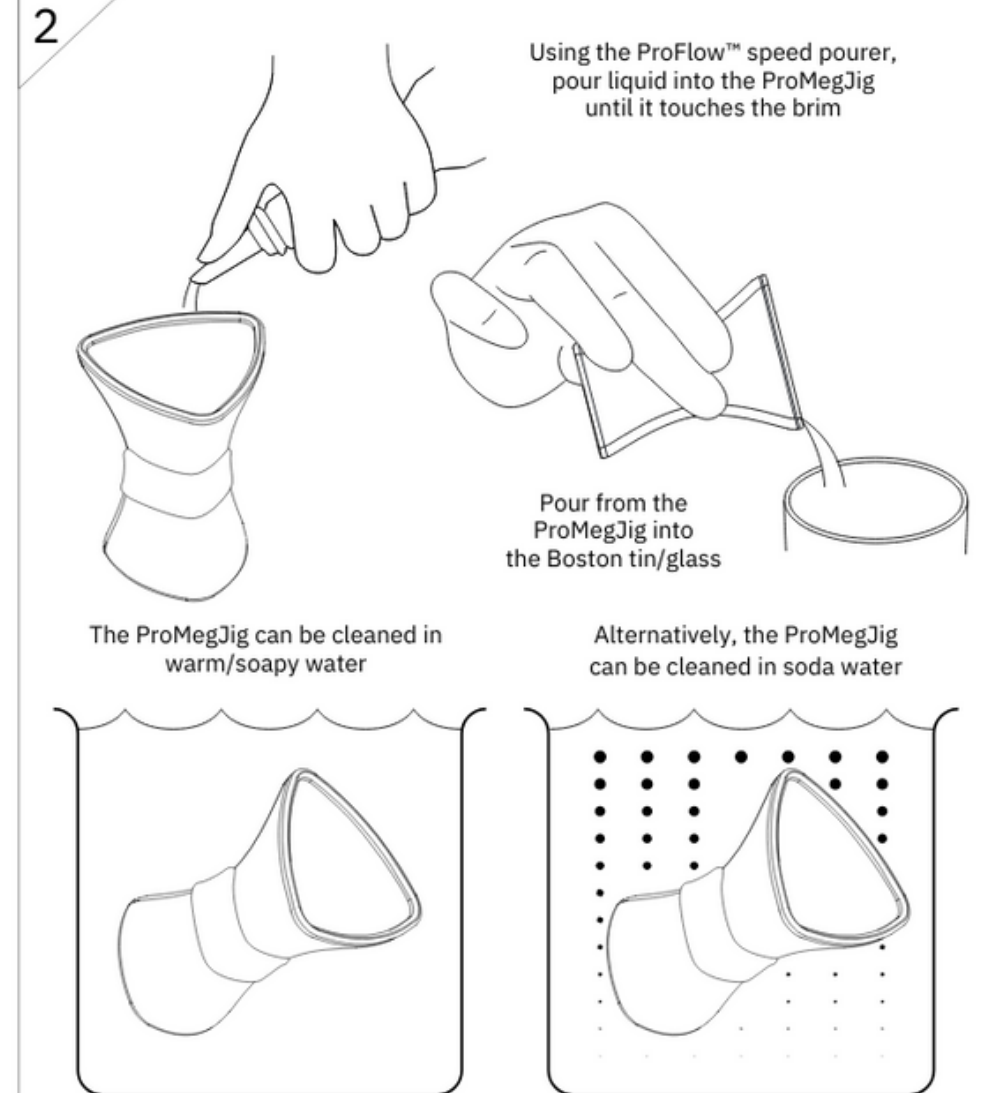
MEDIUM

PRODUCT CARE GUIDE

ProMegJig™ M Compartments



Usage, Washing & Caring



WARNING
NEVER CLEAN WITH ABRASIVE MATERIAL OR HARSH CLEANING CHEMICALS/SOLVENTS THOROUGHLY DRY AFTER CLEANING



WARNING
NEVER PLACE ANY PART INTO A GLASS WASHER, DISH WASHER OR BOILING WATER



BarRay™

sting-free straining

PRODUCT SPECIFICATION

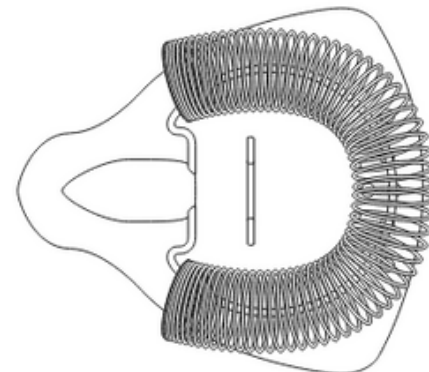
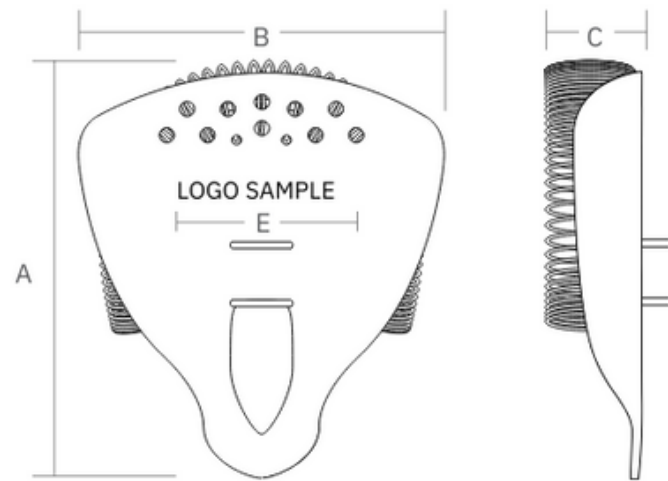
46/BARRAY Chrome
 46/BARRAY-G Gold
 46/BARRAY-C Copper

Features & Benefits

- Unique finger rest for controlling liquid flow
- Tight spring coils catch all drink residue
- Balances well on a Boston tin or glass
- Constructed from stainless-steel



Scan QR code to see video demonstration



| SPECIFICATIONS | |
|----------------------|-------------------------------------|
| Item | 46/BARRAY, 46/BARRAY-G, 46/BARRAY-C |
| Number | |
| Dimensions | 106 mm (4.1 in) |
| A - Length | 106 mm (4.1 in) |
| B - Width | 29mm (1.14 in) |
| C - Height | N/A |
| D - Diameter | 74 grms (0.15 lbs) |
| Weight | |
| Construction | Stainless-steel |
| Custom Logo Area | |
| E - Length | 40 mm (1.57 in) |
| Decoration Technique | Laser engraved |

Des.Reg.Pat.

BarRay™

sting-free straining

PRODUCT CARE GUIDE

| BarRay™ Anatomy | Usage, Washing & Caring |
|---|--|
| <p>1</p> <p>A. Coils B. Handle</p> | <p>2</p> <p>Place BarRay on Boston tin/glass</p> <p>Adjust liquid flow by placing index finger on finger rest and moving back and forth</p> <p>Pour liquid into Boston tin/glass</p> <p>The BarRay can be cleaned by wiping with a soft cloth that has been immersed in warm/soapy water</p> |
| <p>WARNING NEVER CLEAN WITH ABRASIVE MATERIAL OR HARSH CLEANING CHEMICALS/SOLVENTS THOROUGHLY DRY AFTER CLEANING</p> | <p>WARNING NEVER PLACE ANY PART INTO A GLASS WASHER, DISH WASHER OR BOILING WATER</p> |