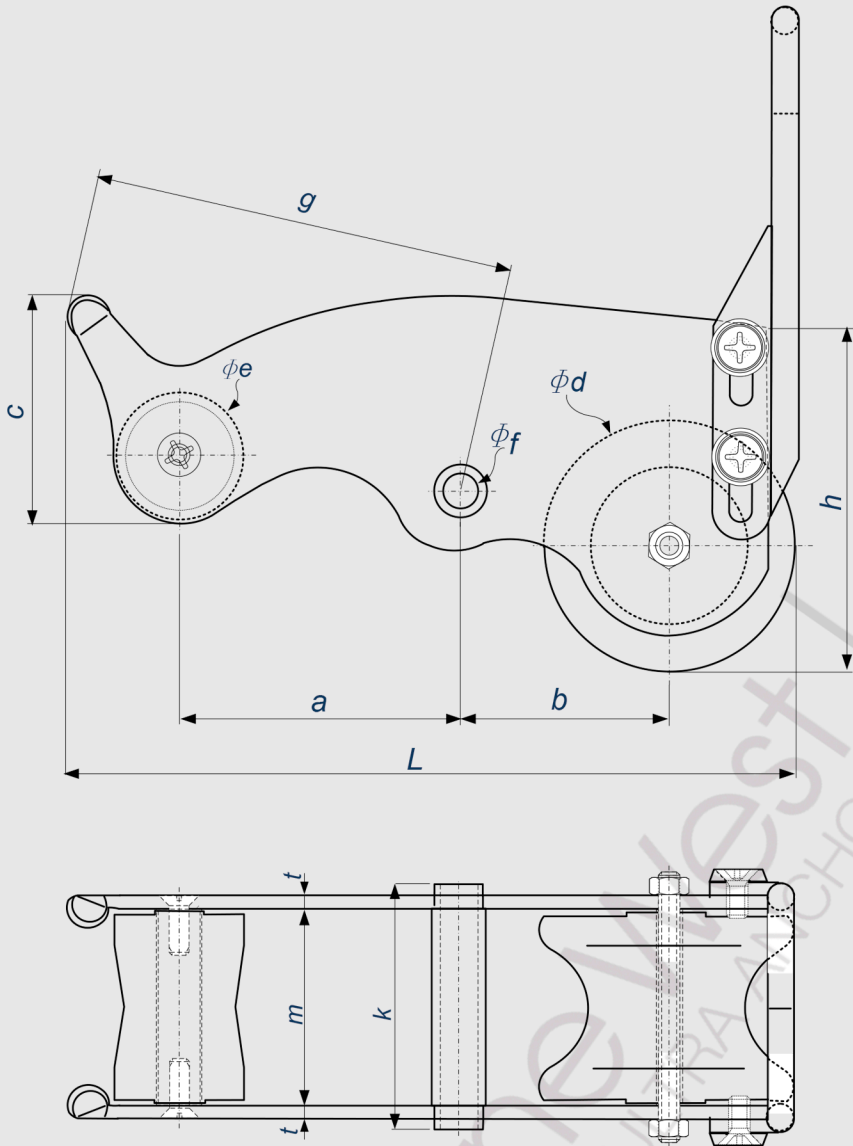


# Ultra Bow Roller Car



MILLIMETERS

PRODUCT DIMENSIONS	UBRC 5-11	UBRC 8-18	UBRC 12-26	UBRC 16-35	UBRC 21-46	UBRC 27-60	UBRC 35-77	UBRC 45-99	UBRC 60-132	UBRC 80-176	UBRC 100-220	UBRC 130-290	UBRC 160-350	UBRC 200-440
a	62.4	72.9	83.5	91.8	100.6	109.4	119.3	129.7	142.8	157.2	169.2	184.7	198.0	213.3
b	49.8	58.4	66.8	73.5	80.5	87.5	95.5	103.8	114.2	125.7	135.4	147.8	158.4	170.7
c	56.1	65.6	75.1	82.6	90.5	98.4	107.3	116.7	128.4	141.4	152.2	166.2	178.1	191.9
$\phi d$	58.0	68.2	78.0	86.0	94.0	100.0	110.0	120.0	133.0	146.0	158.0	170.0	185.0	200.0
$\phi e$	29.1	34.0	38.9	42.8	46.9	51.0	55.6	60.0	66.5	73.2	79.0	86.0	92.0	100.0
$\phi f$	10.5	12.5	12.5	12.5	14.5	14.5	16.5	16.5	18.5	18.5	20.5	20.5	26.0	26.0
g	95.5	111.6	127.8	140.5	154.0	167.4	182.6	198.5	218.5	240.5	259.0	282.8	303.0	326.5
h	77.0	95.0	109.0	120.0	131.0	142.0	154.0	167.5	186.0	204.5	220.0	239.0	257.0	278.0
k	55.4	63.7	74.2	82.7	89.0	98.0	105.9	115.8	128.8	138.9	150.9	166.4	175.0	190.0
L	166.0	194.0	222.0	245.0	266.0	291.0	318.0	345.0	381.0	420.0	451.0	493.0	528.0	570.0
m	44.5	52.0	59.5	65.5	71.7	77.9	85.2	92.4	101.7	112.0	120.6	131.6	141.1	152.0
t	3.0	4.0	4.0	4.0	5.0	5.0	6.0	6.0	6.0	8.0	8.0	10.0	10.0	10.0

INCHES - converted from millimeters for your convenience

PRODUCT DIMENSIONS	UBRC 5-11	UBRC 8-18	UBRC 12-26	UBRC 16-35	UBRC 21-46	UBRC 27-60	UBRC 35-77	UBRC 45-99	UBRC 60-132	UBRC 80-176	UBRC 100-220	UBRC 130-290	UBRC 160-350	UBRC 200-440
a	2.46	2.87	3.29	3.61	3.96	4.31	4.70	5.11	5.62	6.19	6.66	7.27	7.80	8.40
b	1.96	2.30	2.63	2.89	3.17	3.44	3.76	4.09	4.50	4.95	5.33	5.82	6.24	6.72
c	2.21	2.58	2.96	3.25	3.56	3.87	4.22	4.59	5.06	5.57	5.99	6.54	7.01	7.56
$\phi d$	2.28	2.69	3.07	3.39	3.70	3.94	4.33	4.72	5.24	5.75	6.22	6.69	7.28	7.87
$\phi e$	1.15	1.34	1.53	1.69	1.85	2.01	2.19	2.36	2.62	2.88	3.11	3.39	3.62	3.94
$\phi f$	0.41	0.49	0.49	0.49	0.57	0.57	0.65	0.65	0.73	0.73	0.81	0.81	1.02	1.02
g	3.76	4.39	5.03	5.53	6.06	6.59	7.19	7.81	8.60	9.47	10.20	11.13	11.93	12.85
h	3.03	3.74	4.29	4.72	5.16	5.59	6.06	6.59	7.32	8.05	8.66	9.41	10.12	10.94
k	2.18	2.51	2.92	3.26	3.50	3.86	4.17	4.56	5.07	5.47	5.94	6.55	6.89	7.48
L	6.54	7.64	8.74	9.65	10.55	11.46	12.52	13.58	15.00	16.54	17.76	19.41	20.79	22.44
m	1.75	2.05	2.34	2.58	2.82	3.07	3.35	3.64	4.00	4.41	4.75	5.18	5.56	5.98
t	0.12	0.16	0.16	0.16	0.20	0.20	0.24	0.24	0.24	0.31	0.31	0.39	0.39	0.39



# Ultra Bow Roller Car

*The Ultra Bow Roller Car is for those owners that would like to convert their existing fixed bow roller into an articulating one. Because an articulating bow roller captures your anchor quicker, the load on deck hardware is reduced, as is the possibility of the anchor swinging into the hull. We'll be glad to discuss with you whether your bow roller assembly will accommodate the Ultra Bow Roller Car.*



- *Constructed of the same polished 316L stainless steel as our complete Ultra Bow Roller*
- *The articulating car reduces load on deck hardware and swinging of anchor upon recovery*
- *The bail restrains the anchor rode in rough conditions and secures the anchor when stowed.*
- *Standard sizes of car inserts fit many vessels*
- *Car width can be customized to fit existing roller assemblies*

