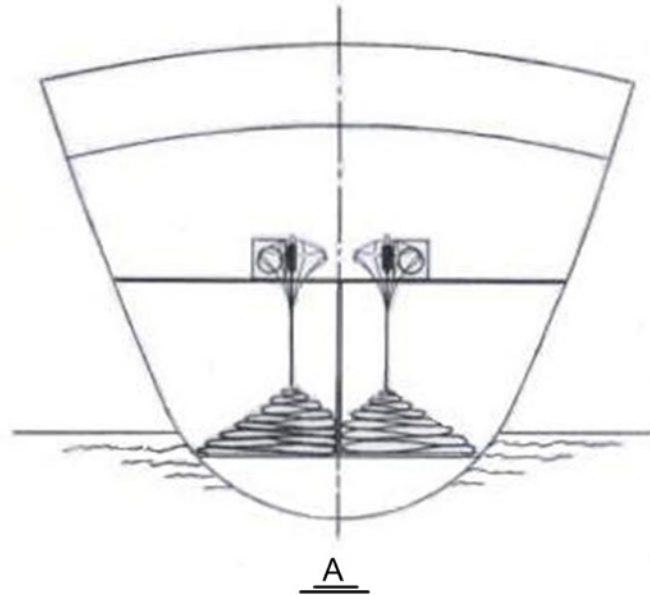
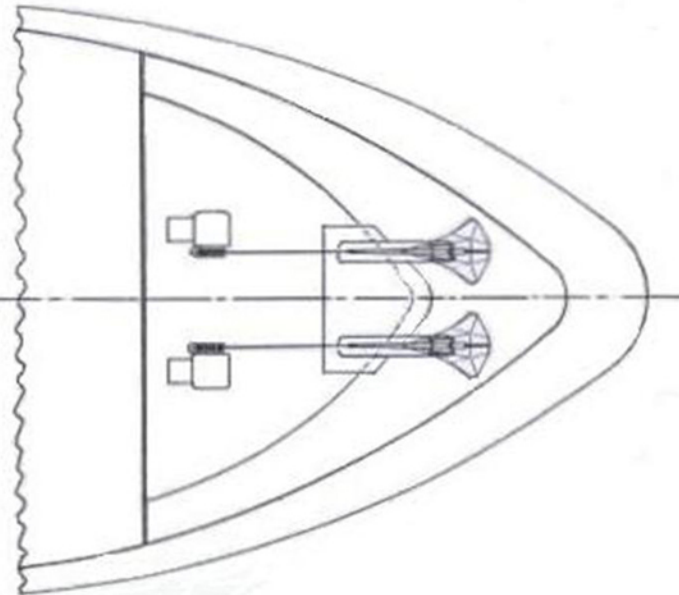
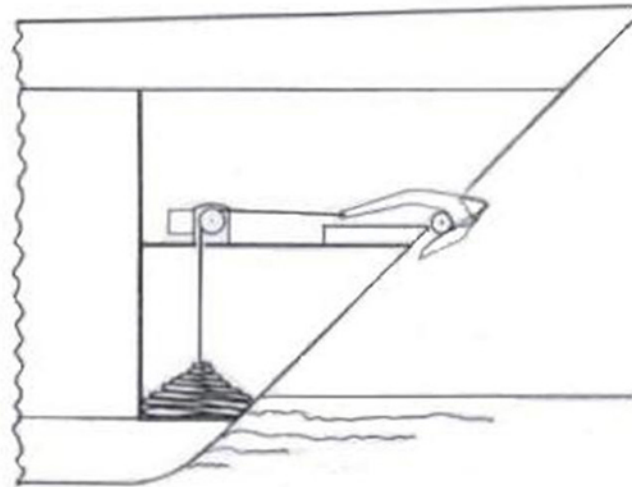


ULTRAnchor UNDERDECK APPLICATION LAYOUT SCHEMA FOR MEGA YACHTS

Option 2: Side by Side



A →



Note: Parts are shown transparent.

ULTRAnchor:

- Self-deploys, there is no need to push the anchor from the bow roller.
- Automatically aligns itself with the bow roller every time, no need to try to align it from out side.



Not to scale. (Schematic)