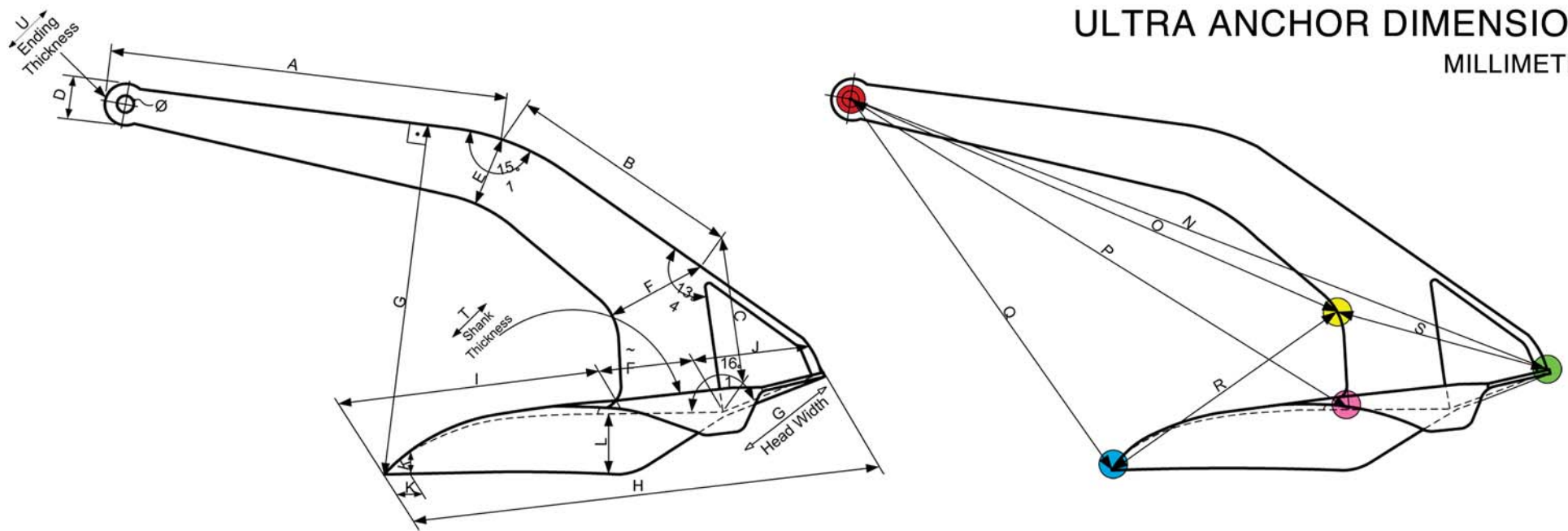


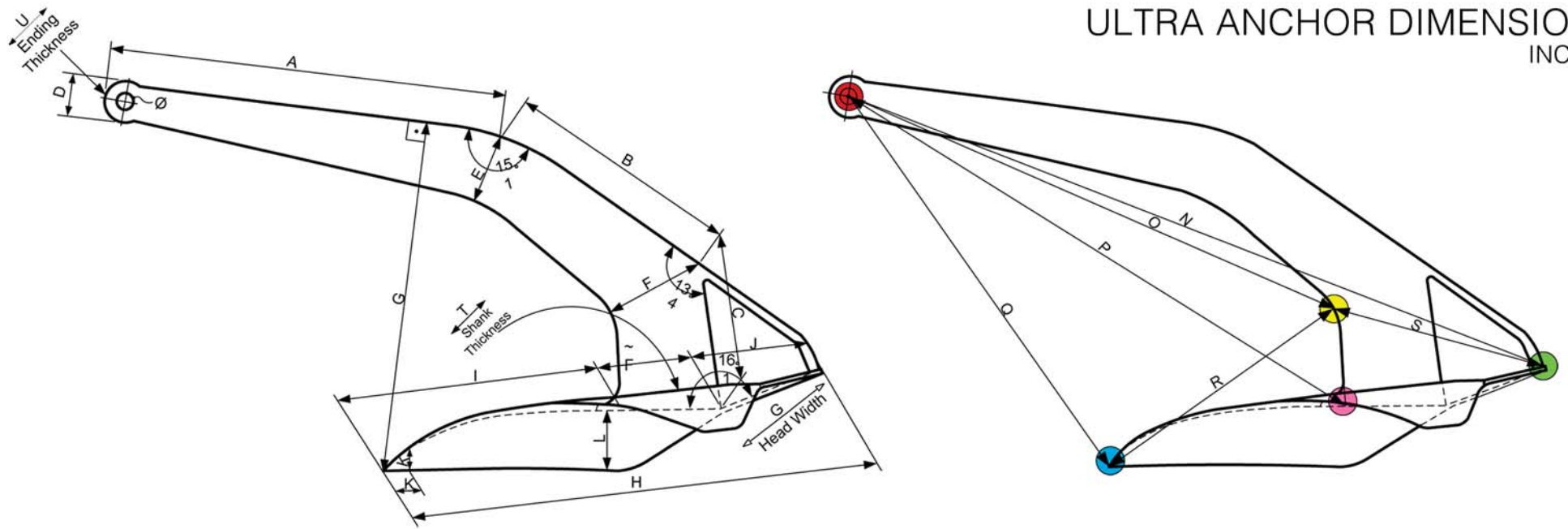
ULTRA ANCHOR DIMENSIONS

MILLIMETERS



Anchor Dimensions	UA 5-11	UA 8-18	UA 12-26	UA 16-35	UA 21-46	UA 27-60	UA 35-77	UA 45-100	UA 60-132	UA 80-176	UA100-220	UA130-290	UA160-350	UA200-440
A	293.3	343	392.6	432.2	473.2	514.5	561	610	671.4	739	796	868.8	931.1	1003
B	165.4	193.5	221.4	243.7	266.9	290.2	316	344	378.7	416.8	449	490	525.1	565.7
C	109.5	128.1	146.6	161.4	176.7	192.1	210	227.8	250.7	276	297.3	324.4	347.7	374.5
D	30	32	37	40	44	48	52	57	62	69	74	82	90	100
Ø	13	14	15	16	17	18	20	22	24	26	28	30	33	35
E	52.3	61.1	70	77	84.3	91.7	100	108.7	119.7	131.7	141.9	154.9	166	178.8
F	71.6	83.8	95.9	105.5	115.6	125.6	137	149	164	180.5	194.4	212.2	227.4	244.9
G	255.1	298.4	341.6	375.9	411.6	447.6	488	530.6	584	642.8	692.5	755.8	809.9	872.4
H	330.4	386.4	442.3	486.9	533	579.6	632	687.2	756.4	832.5	896.8	978.8	1048.9	1129.9
I	180.9	211.6	242.2	266.5	291.8	317.3	346	376.2	414.1	455.8	491	535.8	574.2	618.6
J	79.5	92.9	106.4	117.1	128.2	139.4	152	165.3	181.9	200.2	215.7	235.4	252.3	271.7
K	13.6	15.9	18.2	20	21.9	23.8	26	28.3	31.1	34.2	36.9	40.3	43.2	46.5
L	45.5	53.2	60.9	67	73.4	79.8	87	94.6	104.1	114.6	123.5	134.7	144.4	155.5
N	545.8	638.3	730.7	804.2	880.5	957.5	1044	1135.2	1249.5	1375.2	1481.4	1616.8	1732.7	1866.5
O	385.8	451.2	516.5	568.5	622.5	676.8	738	802.5	883.3	972.1	1047.2	1142.9	1224.8	1319.4
P	426.6	498.9	571.1	628.6	688.2	748.4	816	887.3	976.6	1074.9	1157.9	1263.7	1354.3	1458.9
Q	325.7	380.9	436	479.9	525.5	571.4	623	677.4	745.6	820.7	884	964.8	1034	113.8
R	201.3	235.4	269.5	296.6	324.7	353.1	385	418.6	460.8	507.1	546.3	596.2	639	688.3
S	161.5	188.9	238	238	260.6	283.4	309	336	369.8	407	438.5	478.5	512.8	552.4
U	11	12.5	14	14.5	16	17	17.5	18	19.5	22	24	26	28	30
T	26.7	31.2	35.7	39.3	43	46.8	51	55.5	61	67	73	79	85	92

ULTRA ANCHOR DIMENSIONS INCHES



Anchor Dimensions	UA 5-11	UA 8-18	UA 12-26	UA 16-35	UA 21-46	UA 27-60	UA 35-77	UA 45-100	UA 60-132	UA 80-176	UA100-220	UA130-290	UA160-350	UA200-440
A	11.55	13.50	15.46	17.02	18.63	20.26	22.09	24.02	26.43	29.09	31.34	34.20	36.66	39.49
B	6.51	7.62	8.72	9.59	10.51	11.43	12.44	13.54	14.91	16.41	17.68	19.29	20.67	22.27
C	4.31	5.04	5.77	6.35	6.96	7.56	8.27	8.97	9.87	10.87	11.70	12.77	13.69	14.74
D	1.18	1.26	1.46	1.57	1.73	1.89	2.05	2.24	2.44	2.72	2.91	3.23	3.54	3.94
Ø	0.51	0.55	0.59	0.63	0.67	0.71	0.79	0.87	0.94	1.02	1.10	1.18	1.30	1.38
E	2.06	2.41	2.76	m	3.32	3.61	3.94	4.28	4.71	5.19	5.59	6.10	6.54	7.04
F	2.82	3.30	3.78	4.15	4.55	4.94	5.39	5.87	6.46	7.11	7.65	8.35	8.95	9.64
G	10.04	11.75	13.45	14.80	16.20	17.62	19.21	20.89	22.99	25.31	27.26	29.76	31.89	34.35
H	13.01	15.21	17.41	19.17	20.98	22.82	24.88	27.06	29.78	32.78	35.31	38.54	41.30	44.48
I	7.12	8.33	9.54	10.49	11.49	12.49	13.62	14.81	16.30	17.94	19.33	21.09	22.61	24.35
J	3.13	3.66	4.19	4.61	5.05	5.49	5.98	6.51	7.16	7.88	8.49	9.27	9.93	10.70
K	0.54	0.63	0.72	0.79	0.86	0.94	1.02	1.11	1.22	1.35	1.45	1.59	1.70	1.83
L	1.79	2.09	2.40	2.64	2.89	3.14	3.43	3.72	4.10	4.51	4.86	5.30	5.69	6.12
N	21.49	25.13	28.77	31.66	34.67	37.70	41.10	44.69	49.19	54.14	58.32	63.65	68.22	73.48
O	15.19	17.76	20.33	22.38	24.51	26.65	29.06	31.59	34.78	38.27	41.23	45.00	48.22	51.94
P	16.80	19.64	22.48	24.75	27.09	29.46	32.13	34.93	38.45	42.32	45.59	49.75	53.32	57.44
Q	12.82	15.00	17.17	18.89	20.69	22.50	24.53	26.67	29.35	32.31	34.80	37.98	40.71	4.48
R	7.93	9.27	10.61	11.68	12.78	13.90	15.16	16.48	18.14	19.96	21.51	23.47	25.16	27.10
S	6.36	7.44	9.37	9.37	10.26	11.16	12.17	13.23	14.56	16.02	17.26	18.84	20.19	21.75
U	0.43	0.49	0.55	0.57	0.63	0.67	0.69	0.71	0.77	0.87	0.94	1.02	1.10	1.18
T	1.05	1.23	1.41	1.55	1.69	1.84	2.01	2.19	2.40	2.64	2.87	3.11	3.35	3.62