

MERIDIAN OCTAGON GAZEBO

Installation and Operating Instructions – YM11924

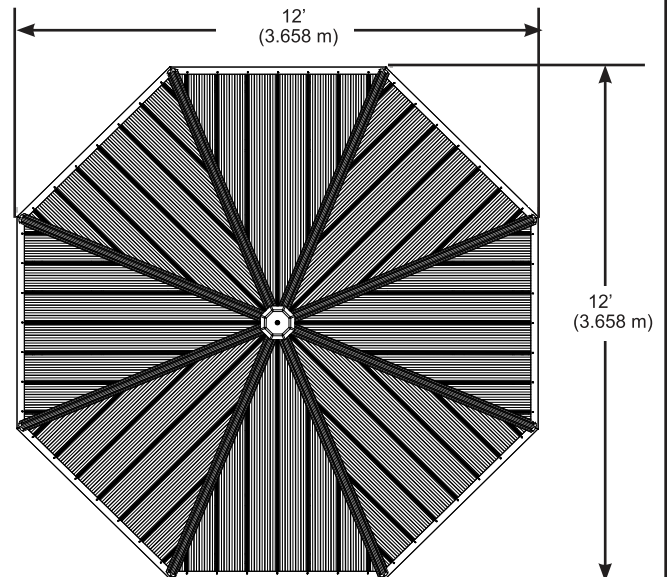


IMPORTANT, RETAIN FOR FUTURE REFERENCE: READ CAREFULLY

Revised 04-26-2021

**YARDISTRY**[®]

Yardistry – North America
Toll Free Customer Support:
1.888.509.4382
info@yardistrystructures.com
www.yardistrystructures.com



Height: 9' 11-5/16" (3.03 m)

Important Safety Notice!

Yardistry components are intended for privacy, decorative and ornamental use only.

Product is NOT INTENDED for the following:

- A safety barrier to prevent unsupervised access to pools, hot tubs, spas or ponds.
- As load bearing support for a building, structure, heavy objects or swings.
- Used in structures that trap wind, rain or snow that would create extra load on the product.

Accumulated snow must be removed from roof.

DO NOT climb or walk on roof for any reason.

Permanent structures may require a building permit. As the purchaser and or installer of this product you are advised to consult local planning, zoning and building inspection departments for guidance on applicable building codes and/or zoning requirements.

Wood is NOT flame retardant and will burn. Grills, fire pits and chimineas are a fire hazard if placed too close to a Yardistry structure. Consult user's manual of the grill, fire pit or chiminea for safe distances from combustible materials.

Wear gloves to avoid injury from possible sharp edges of individual elements before assembly.

During installation, follow all safety warnings provided with your tools and use OSHA approved safety glasses. Some structures may require two or more people to install safely.

Check for underground utilities before digging or driving stakes into the ground!

It is important during assembly to closely follow the instructions, complete the assembly on a solid level surface and that you follow the instruction to square up, level and anchor the structure, this will reduce the gap at wood connections during assembly.

General Information

General Information: Wood components are manufactured with Cedar (C. Lanceolata) which is protected with factory applied water-based stain. Knots, small checks (cracks) and weathering are naturally occurring and do not affect the strength of the product. Annual application of a water-based water repellent sealant or stain is important and will help reduce weathering and checks.

www.yardistrystructures.com

Questions?

Call toll free or write us at:

1 (888) 509-4382

info@yardistrystructures.com

Patents Pending

Limited Warranty

Yardistry warrants that this product is free from defect in materials and workmanship for a period of one (1) year from the original date of purchase. In addition, for any product with lumber, all lumber is warranted for five (5) years against rot and decay. This warranty applies to the original owner and registrant and is non-transferable.

Regular maintenance is required to assure the integrity of your product and is a requirement of the warranty. This warranty does not cover any inspection costs.

This Limited Warranty does not cover:

- Labour for replacement of any defective item(s);
- Incidental or consequential damages;
- Cosmetic defects which do not affect performance or integrity;
- Vandalism; improper use or installation; acts of nature, including but not limited to wind, storms, hail, floods, excessive water exposure;
- Minor twisting, warping, checking or any other natural occurring properties of wood that do not affect performance or integrity.

Yardistry products have been designed for safety and quality. Any modifications made to the original product could damage the structural integrity of the product leading to failure and possible injury. Yardistry cannot assume any responsibility for modified products. Furthermore, modification voids any and all warranties.

This product is warranted for RESIDENTIAL USE ONLY. Yardistry disclaims all other representations and warranties of any kind, express or implied.

This Warranty gives you specific legal rights. You may have other rights as well which vary from state to state or province to province. This warranty excludes all consequential damages, however, some states/provinces do not allow the limitation or exclusion of consequential damages, and therefore this limitation may not apply to you.

Instructions for Proper Maintenance

Your Yardistry structure is designed and constructed of quality materials. As with all outdoor products it will weather and wear. To maximize the enjoyment, safety and life of your structure it is important that you, the owner, properly maintain it.

HARDWARE:

- Check metal parts for rust. If found, sand and repaint using a non-lead paint complying with 16 CFR 1303.
- Inspect and tighten all hardware after completion of assembly; after first month of use; and then annually. Do not over-tighten as to cause crushing and splintering of wood.
- Check for sharp edges or protruding screw threads, add washers if required.

WOOD PARTS:

- Applying a water repellent or stain (water-based) on a yearly basis is important maintenance to maintain maximum life and performance of the product.
- Check all wood members for deterioration, structural damage and splintering. Sand down splinters and replace deteriorated wood members. As with all wood, some checking and small cracks in grain is normal
- Some gapping may occur at some wood connections.

Assembly Guides

Tools Required:

- | | | |
|------------------------------|------------------|----------------------|
| • Tape Measure | • 8' Step Ladder | • 6' Step Ladder x 2 |
| • Carpenters Level | • Safety Glasses | • Square |
| • Standard or Cordless Drill | • Adult Helper | • Ratchet |
| • 7/16", 1/2" Wrench | • Safety Gloves | |
| • 7/16", 1/2" Socket | • Hard Hat | |

Symbols:

Throughout these instructions symbols are provided in the top, right-hand corner of the page.



- Use Help, where this is shown, 2, 3 or 4 people are required to safely complete this step. To avoid injury or damage to the assembly make sure to get some help.



- Use a measuring tape to assure proper location



- Pre-drill a pilot hole before fastening screw or lag to prevent splitting of wood.



- Check that assembly is square before tightening bolts

If you dispose of your Yardistry structure: Please disassemble and dispose of your unit so that it does not create any unreasonable hazards at the time it is discarded. Be sure to follow your local waste ordinances.

Assembly Tips

Following are some helpful tips to make the assembly process smooth and efficient.

PRE-ASSEMBLIES:

(i.e. Post and Beam Assemblies, Roof Rafter Assembly, etc)

- Work on a raised, solid and flat surface such as, a table or saw horse.
- Keep all connections flush where shown in the instructions.
- When assembling the beams keep parts flat, straight and snug when connecting.

METAL PARTS:

- Roofing material may have sharp edges, wear safety gloves.
- Remove all plastic covering, on both sides of the metal panels, directly before installing each piece.
- Place roofing material on a non-abrasive surface before and after assembly as it can bend, dent and scratch easily.
- The roofing screws can easily crush the roof panels and roof edges when using a power drill. We recommend hand tightening the roofing screws so they sit snug and tight to the roofing material.

Permanent Installation Examples

Note: It is critically important you start with square, solid and level footings, concrete pad or deck to attach your Pavilion.

We supply Post Mounts with this structure which gives you the flexibility to permanently install your structure to a pre-existing or new wood or concrete surface.

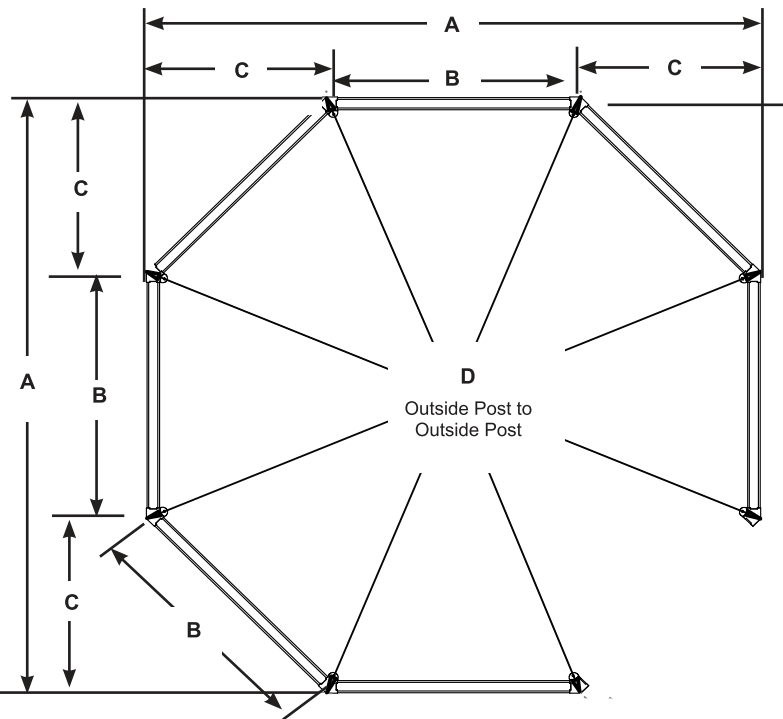
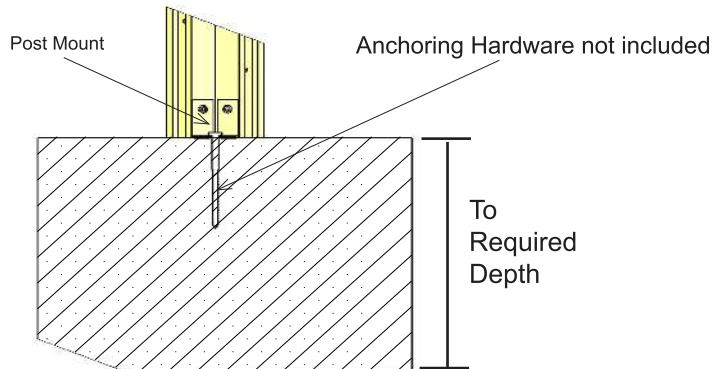
- The hardware to attach the Post Mount to the structure is included.
- The hardware to mount the structure permanently will need to be purchased separately at your local hardware store.

If you are mounting to concrete footers see below for the correct locations and placement. Please double check for possibility of any underground utilities such as gas, telephone, cable or sprinkler lines.

Following are some examples of how to mount the structure to wood or concrete surfaces.

Refer to your local building and city codes, ordinances, neighbourhood covenants, or height restrictions regarding this type of structure for guidance on acceptable installation requirements.

Concrete Footer

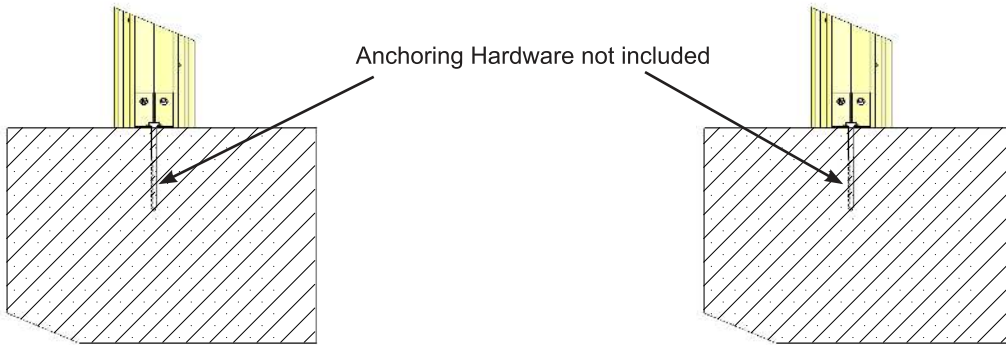


Layout Dimensions for Octagon Gazebo

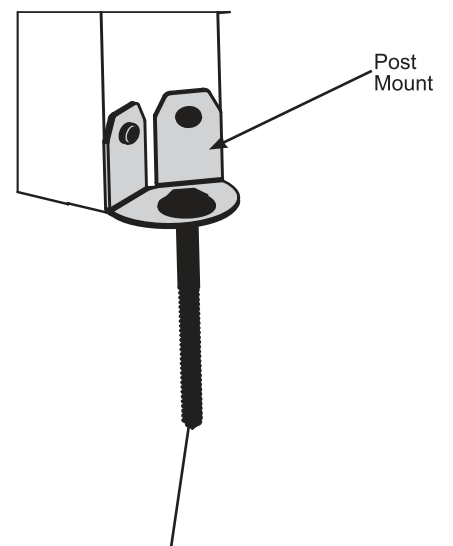
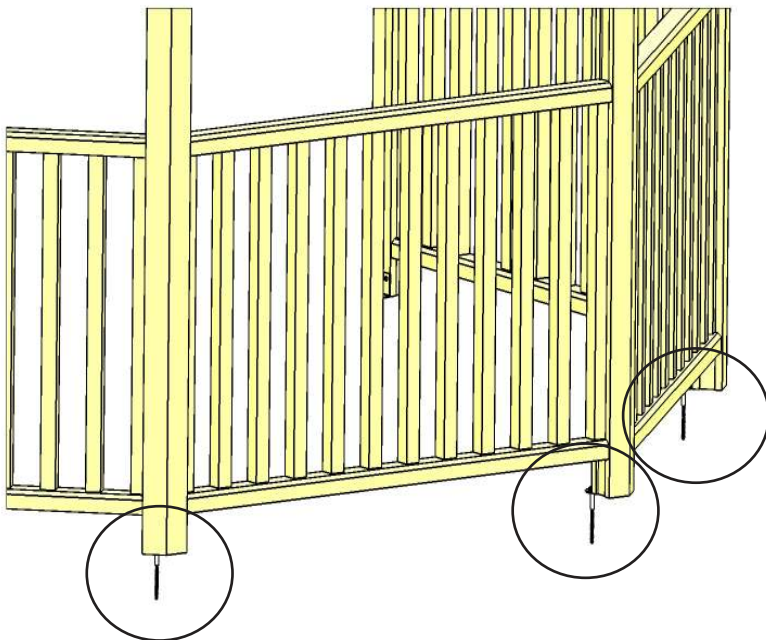
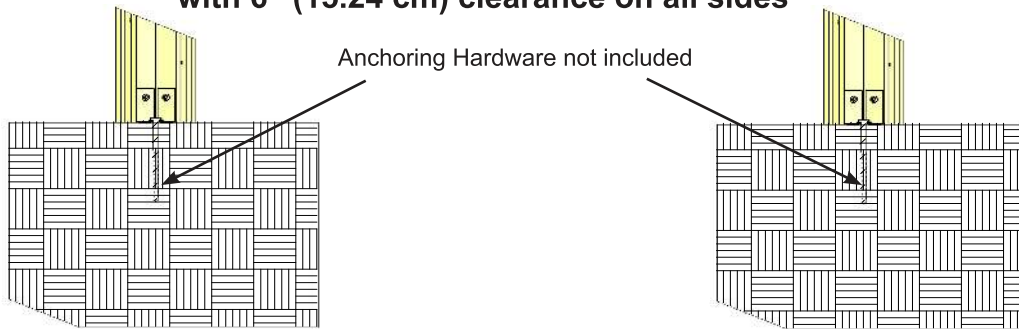
A	11' 3" (3.429 m)
B	4' 7-15/16" (1.421 m)
C	3' 3-9/16" (1.005 m)
D	12' 2-5/16" (3.716 m)

Permanent Installation Examples cont.

**Concrete Patio [min. 12' 3" x 12' 3" (3.734 m x 3.734 m)]
with 6" (15.24 cm) clearance on all sides**



**Wood Deck [min. 12' 3" x 12' 3" (3.734 m x 3.734 m)]
with 6" (15.24 cm) clearance on all sides**

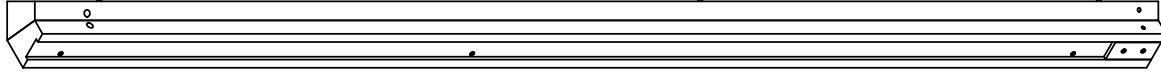


Anchoring Hardware (not included)

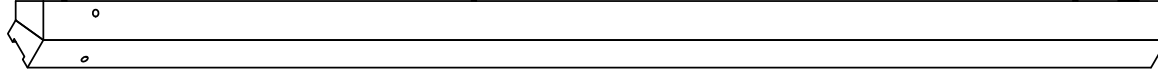
Post Mounts have a 1/2" diameter hole for anchoring hardware.

Part Identification (Dimensions are approximate and are shown to assist in the identification of parts for assembly. Actual dimensions may be smaller or larger.)

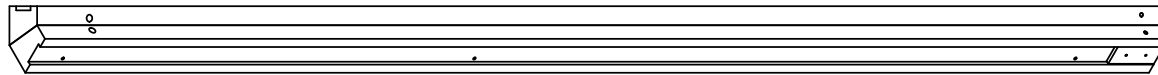
1pc. (1059) - Post Left 2184.4mm (86") Y70131-1059



1pc. (1061) - Post Right 2184.4mm (86") Y70131-1061



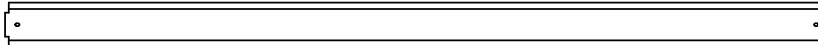
6pc. (1056) - Post Main 2184.4mm (86") Y70131-1056



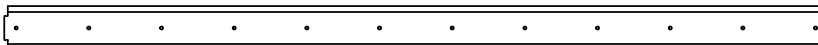
8pc. (1062) - Beam 1451.9mm (57-1/8") Y50131-1062



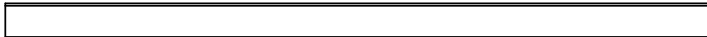
7pc. (1064) - Top Rail 1307.1mm (51-1/2") Y50131-1064



7pc. (1063) - Bot Rail 1307.1mm (51-1/2") Y50131-1063



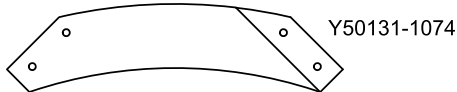
84pc. (1066) - Spindle 747.8mm (29-7/16") Y50131-1066



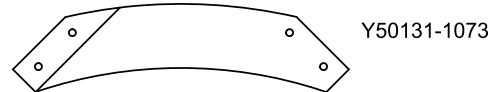
7pc. (1065) - Filler Insert 1307.1mm (51-1/2") Y50131-1065



8pc. (1074) - Short Right Gusset 533.4mm (21")

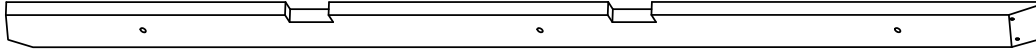


8pc. (1073) - Short Left Gusset 533.4mm (21")

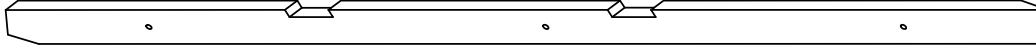


Part Identification (Dimensions are approximate and are shown to assist in the identification of parts for assembly. Actual dimensions may be smaller or larger.)

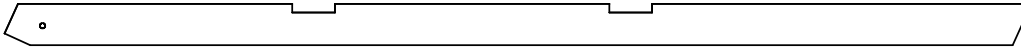
8pc. (1067) - LT Corner Rafter 2032mm (80") Y50131-1067



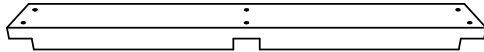
8pc. (1068) - RT Corner Rafter 2032mm (80") Y50131-1068



8pc. (1071) - Rafter Centre 1902mm (74-7/8") Y50131-1071



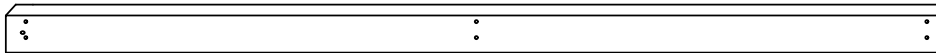
8pc. (1069) - Top Strap 633.9mm (25") Y50131-1069



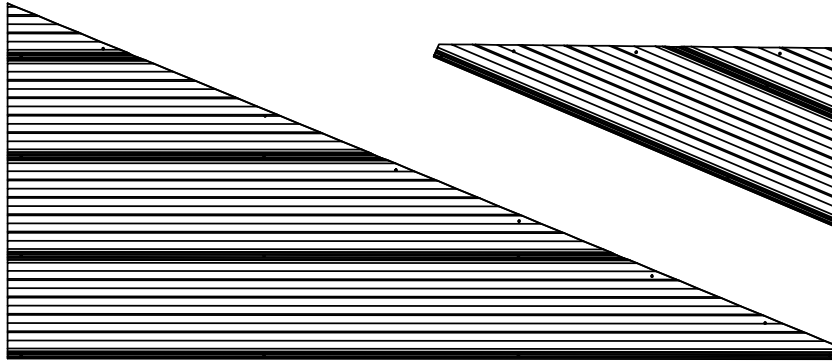
8pc. (1070) - Bot Strap 1076.6mm (42-3/8") Y50131-1070



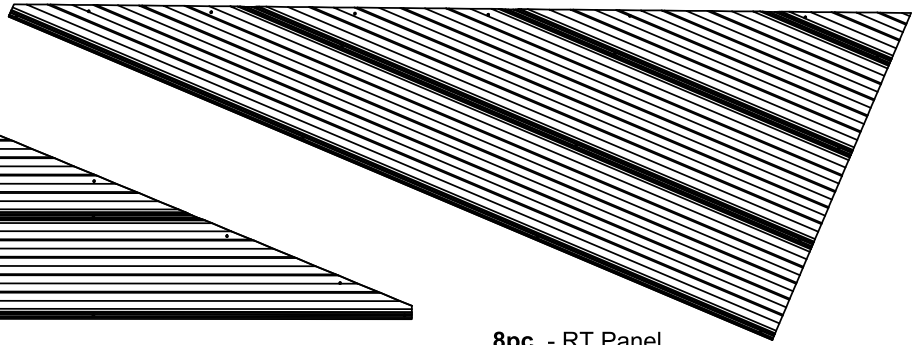
8pc. (1072) - Fascia 1494mm (58-13/16") Y50131-1072



Hardware Identification (Dimensions are approximate and are shown to assist in the identification of parts for assembly. Actual dimensions may be smaller or larger.)



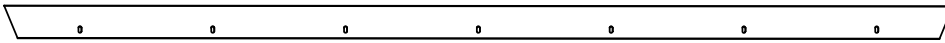
8pc. - LT Panel
(Y01033-357)



8pc. - RT Panel
(Y01033-356)

1pc. - Octagon Gazebo Roofing Set
(Y70833-356)

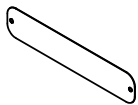
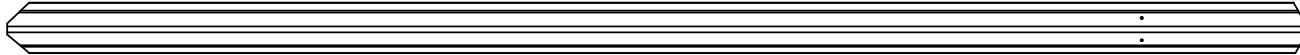
8pc. Roof Edge - (Y01033-359)



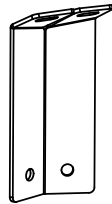
16pc. Ridge Clip 78 - (Y00433-358)



8pc. Ridge Cap 79 - (Y00433-361)



1pc. - Gazebo ID Plaque
(Y70800-104)

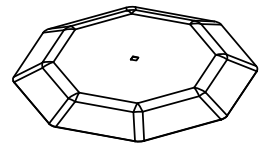


1pc. - Post Roof Tie Bracket Set (8Pk)
(Y70829-353)

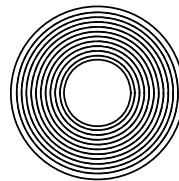


1pc. - 135° Angle Bracket Set (8Pk)
(Y70818-389)

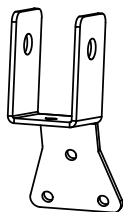
1pc. Peak Cap
(Y01033-351)



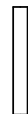
1pc. - Post Mount Set (8Pk)
(Y70829-355)



1pc. - Roof Clip Weather Seal (16Pk)
(Y70818-360)



1pc. - Rafter/Beam Bracket Set (8Pk)
(Y70829-281)



1pc. Peak Post
(Y01000-094)

1pc. Carriage Bolt
(Y07490-260)



1pc. Contour Washer
(Y05918-211)



1pc. Base Plate
(Y01029-352)



1pc. Spring Clip
(Y09490-001)



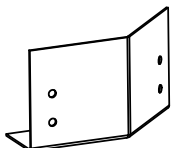
1pc. 1/4" Nut
(Y08490-200)



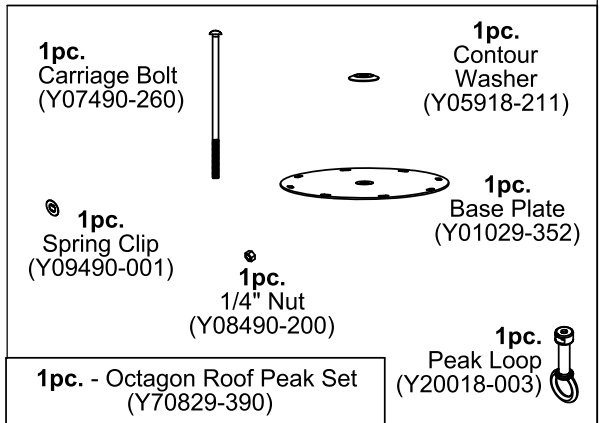
1pc. Peak Loop
(Y20018-003)



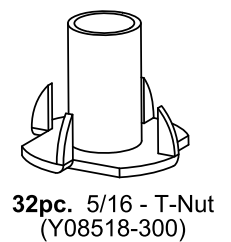
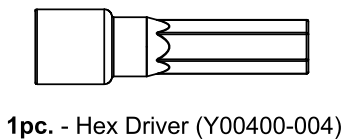
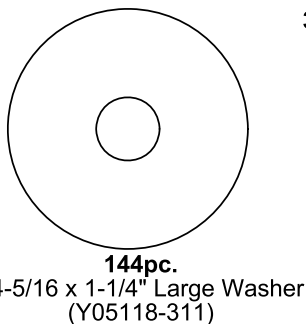
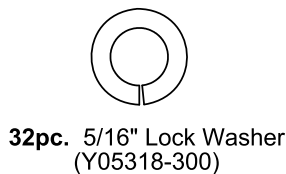
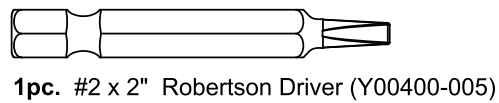
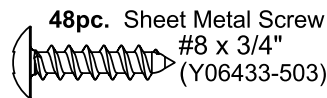
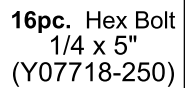
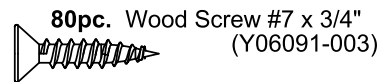
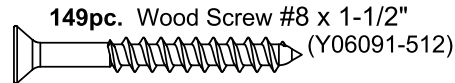
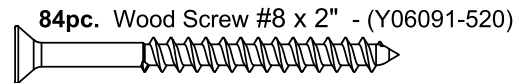
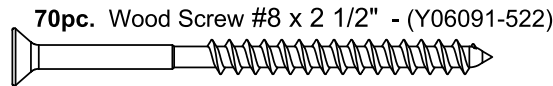
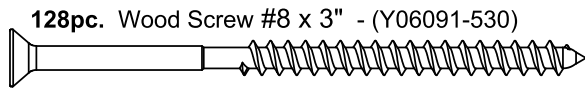
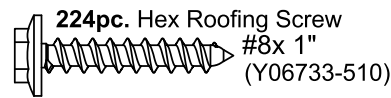
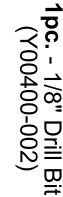
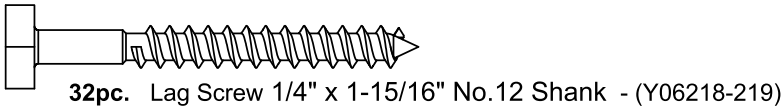
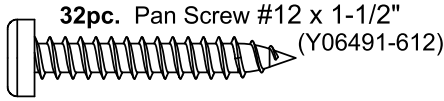
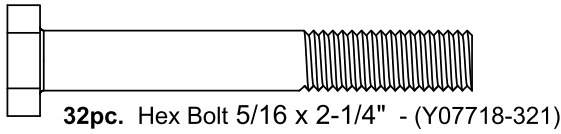
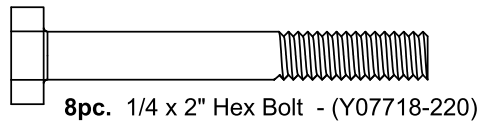
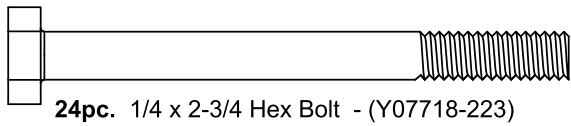
1pc. - Corner Cap Set (8Pk)
(Y70833-354)



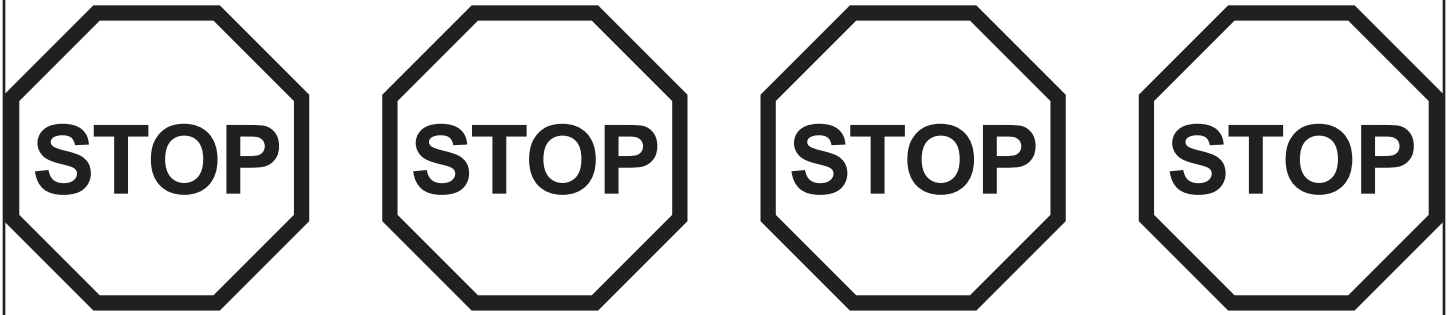
1pc. - Octagon Roof Peak Set
(Y70829-390)



Hardware Identification (Dimensions are approximate and are shown to assist in the identification of parts for assembly. Actual dimensions may be smaller or larger.)



Step 1: Inventory Parts - Read This Before Starting Assembly



- A.** This is the time for you to inventory all your hardware, wood and accessories, referencing the parts identification sheets. This will assist you with your assembly.
- Each step indicates which bolts and/or screws you will need for assembly, as well as any flat washers, lock washers, t-nuts or lock nuts.
- B.** If there are any missing or damaged pieces or you need assistance with assembly please contact the consumer relations department directly. Call us before going back to the store.

1-888-509-4382

support@yardistrystructures.com

- C.** Read the assembly manual completely, paying special attention to ANSI warnings; notes; and safety/maintenance information on pages 1 - 4.
- Follow the instructions in order.
 - This structure is designed to be assembled and installed ideally by four people, DO NOT attempt to install alone.
 - Consider the slope of elevation where you plan to install the structure. Also, check for gas, telephone, other utilities or sprinkler line locations prior to excavating any holes.
- D.** Before you discard your cartons fill out the form below.
- The carton I.D. stamp is located on the end of each carton.
 - Please retain this information for future reference. You will need this information if you contact the Consumer Relations Department.

PRODUCT NUMBER: YM11924

CARTON I.D. STAMP: _ _ _ _ _ (Box 1)

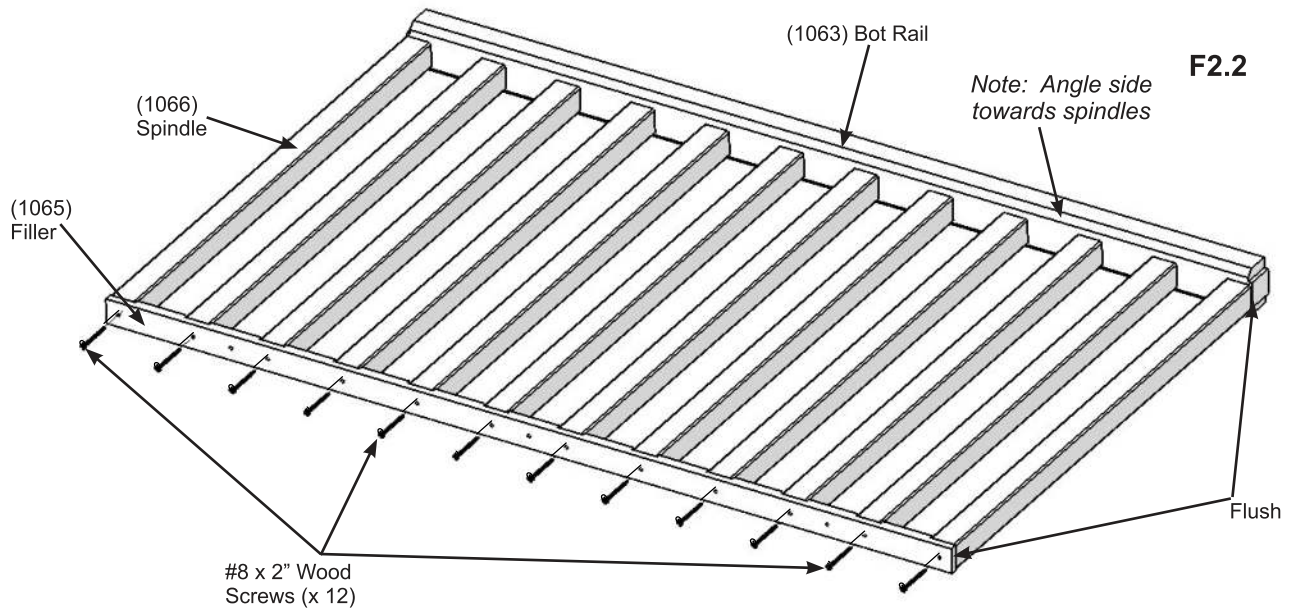
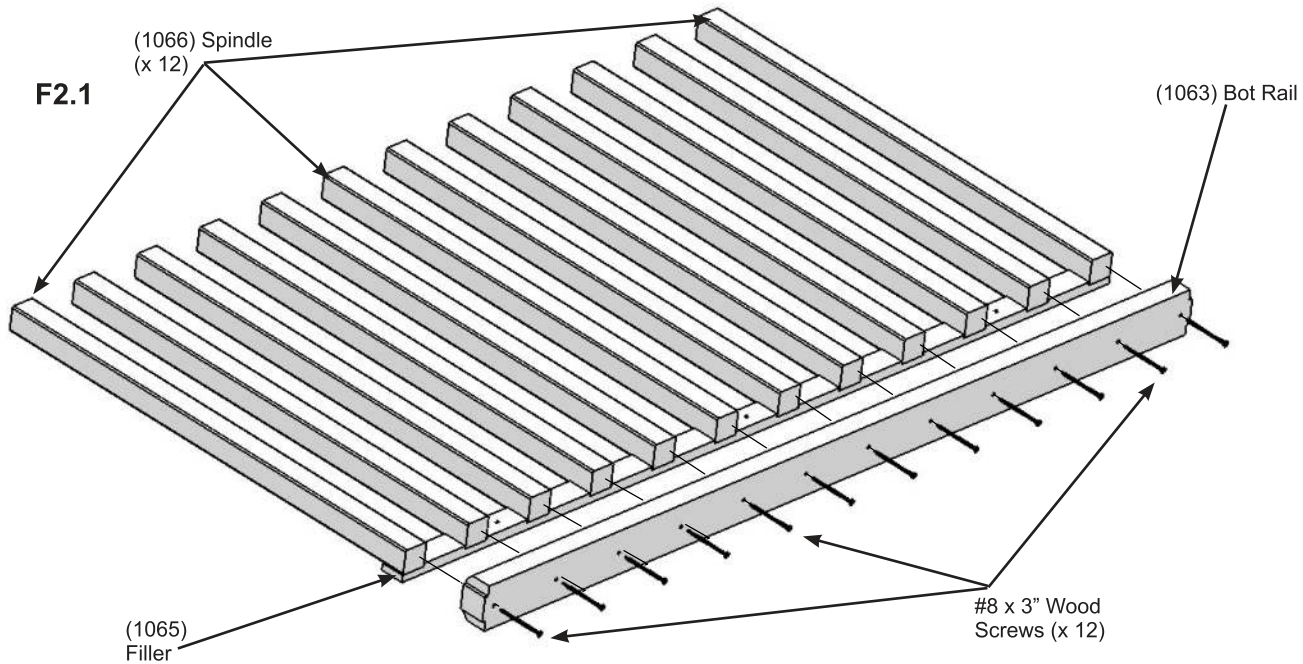
CARTON I.D. STAMP: _ _ _ _ _ (Box 2)

CARTON I.D. STAMP: _ _ _ _ _ (Box 3)

Step 2: Rail Assemblies Part 1

A: Place 12 (1066) Spindles into the slots of (1065) Filler. This will provide proper spacing. Place (1063) Bot Rail against bottom of spindles, flush to the outside edges of the end spindles. Centre spindles over holes in (1063) Bot Rail. Attach with one #8 x 3" Wood Screw per spindle. (F2.1 and F2.2)

B: Remove (1065) Filler from bottom of (1066) Spindles and place at top of spindles, flush to outside edges of end spindles and attach with one #8 x 2" Wood Screw per spindle. (F2.2)



Wood Parts

7 x (1063) Bot Rail
7 x (1065) Filler
84 x (1066) Spindle

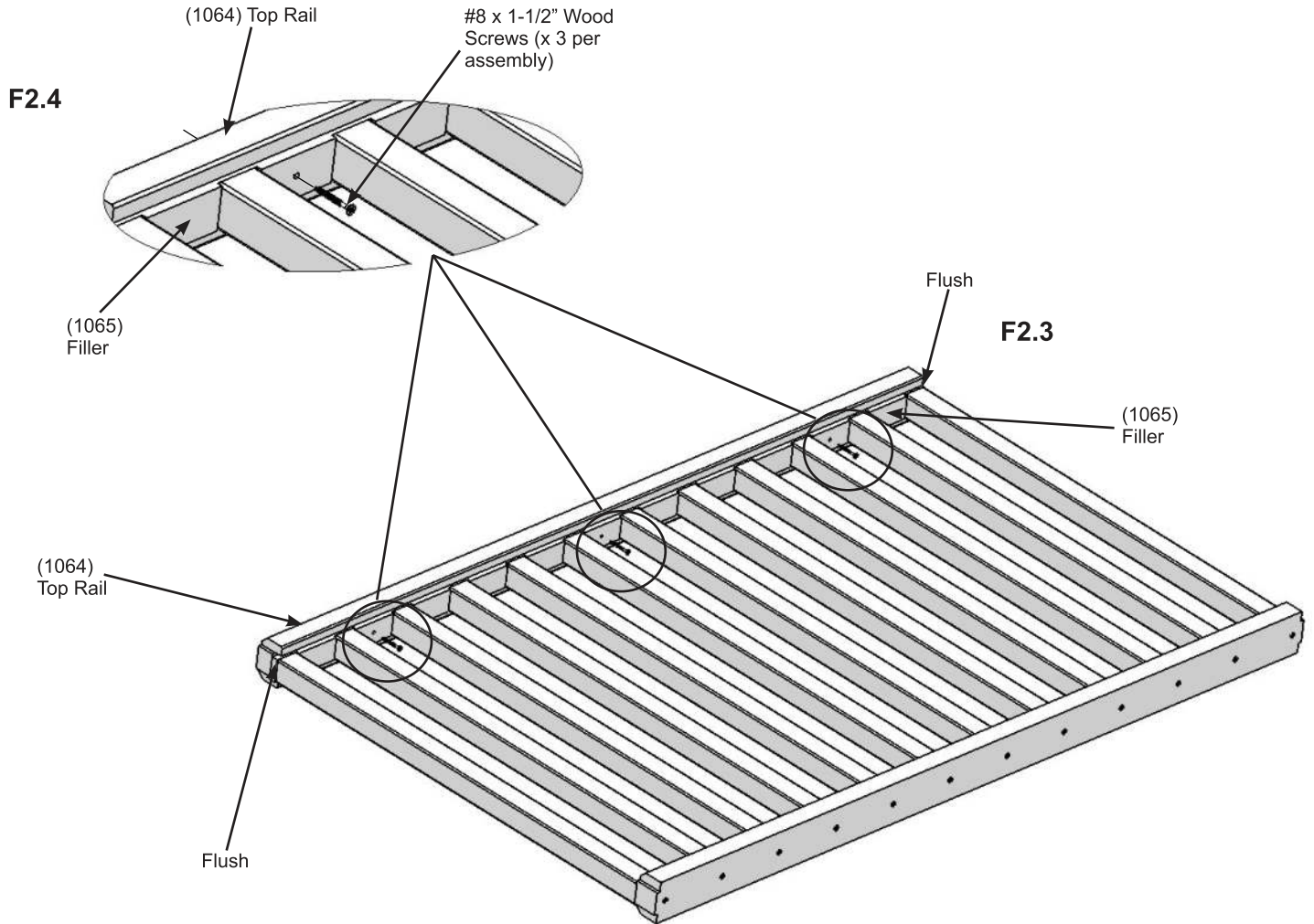
Hardware

84 x #8 x 2" Wood Screw
84 x #8 x 3" Wood Screw

Step 2: Rail Assemblies Part 2

C: On top of (1065) Filler and flush to each end, place (1064) Top Rail. Attach (1065) Filler to (1064) Top Rail with three #8 x 1-1/2" Wood Screws as shown in F2.3 and F2.4.

D: Repeat Steps A - C six more times to create seven Rail Assemblies.



Wood Parts

7 x (1064) Top Rail

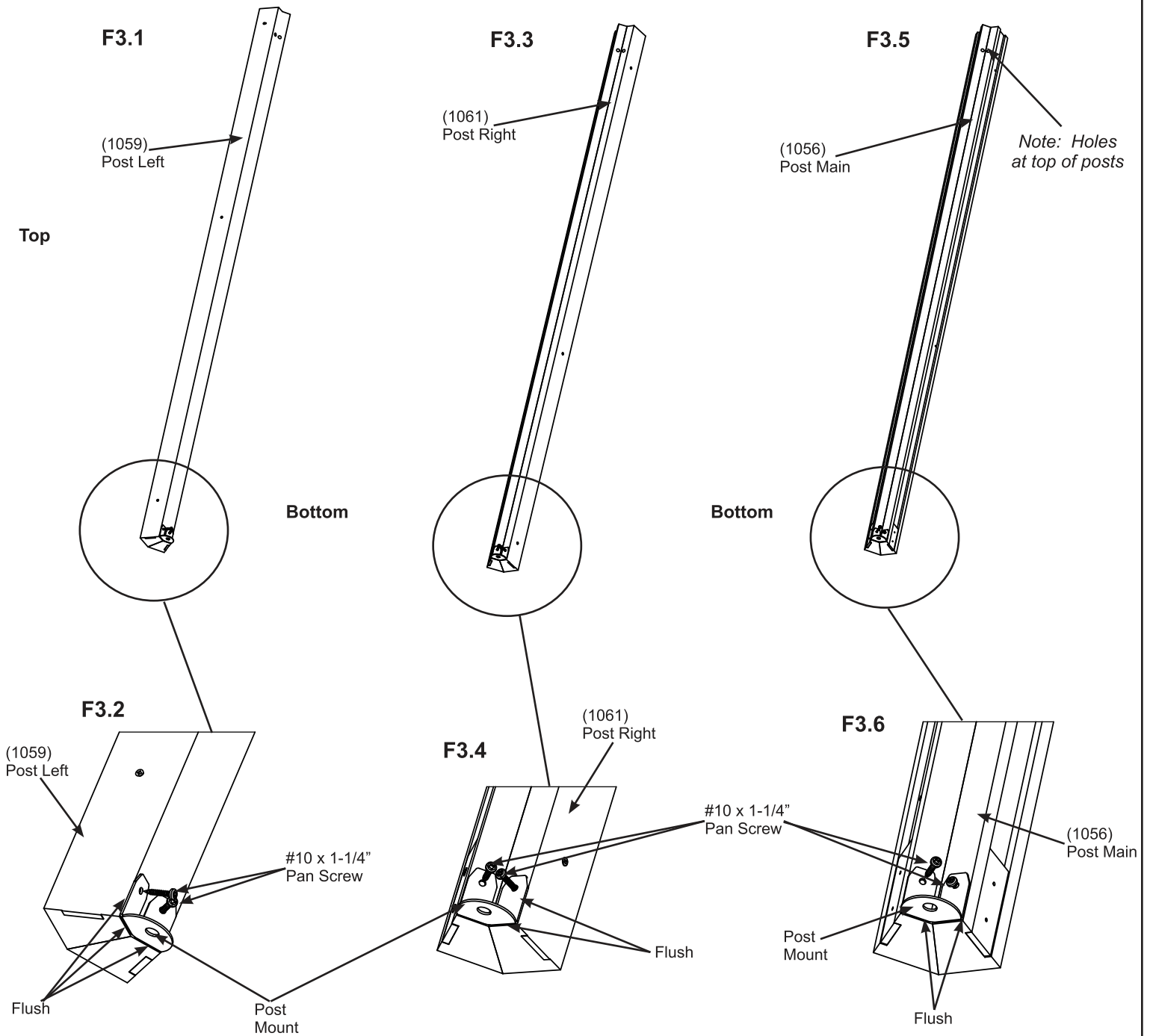
Hardware

21 x #8 x 1-1/2" Wood Screw

Step 3: Post Assemblies

A: Flush to the bottom of one (1059) Post Left and one (1061) Post Right place one Post Mount tight to the inside of each post then attach with two #10 x 1-1/4" Pan Screws per Post Mount. (F3.1, F3.2, F3.3 and F3.4)

B: Flush to the bottom of each (1056) Post Main place one Post Mount tight to the inside of each post then attach with two #10 x 1-1/4" Pan Screws per Post Mount. There will be six Post Main Assemblies. (F3.5 and F3.6)



Wood Parts

- 6 x (1056) Post Main
- 1 x (1059) Post Left
- 1 x (1061) Post Right

Components

- 8 x Post Mount

Hardware

- 16 x #10 x 1-1/4" Pan Screw

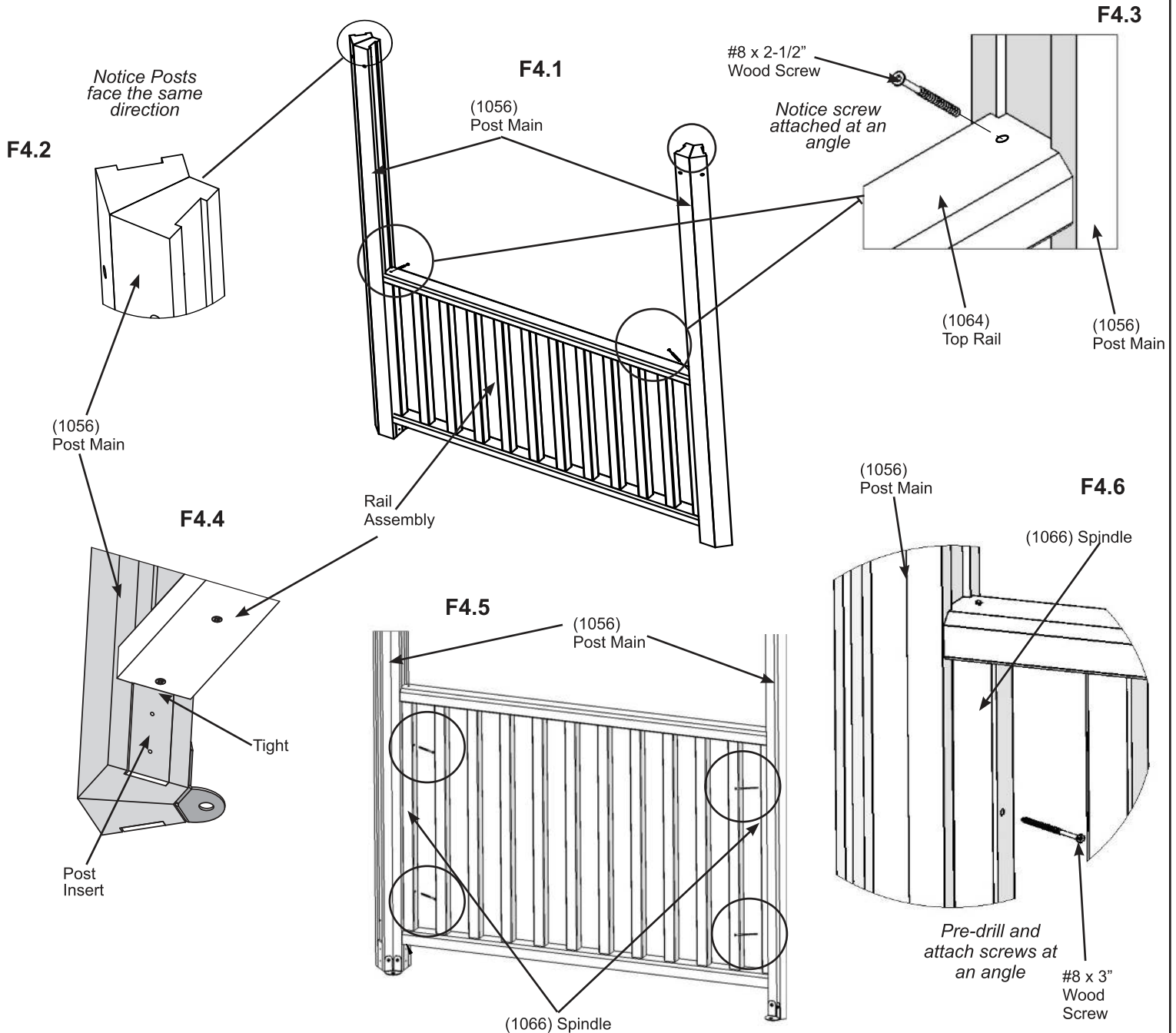
Step 4: Attach Rail Assemblies to Posts Part 1



A: Place one (1056) Post Main on each side of one Rail Assembly. Rail Assembly should sit tight to top of post insert. See F4.1 and F4.2 for correct positioning of posts. At an angle attach (1064) Top Rail to posts with two #8 x 2-1/2" Wood Screws. (F4.1, F4.2, F4.3 and F4.4)

B: For each (1066) Spindle which is next to a post, at an angle, pre-drill with a 1/8" drill bit then attach (1066) Spindles to posts, on an angle, with two #8 x 3" Wood Screws per post. (F4.5 and F4.6)

C: Repeat Steps A and B for a second Rail Assembly using two (1056) Post Mains.



Hardware

4 x #8 x 2-1/2" Wood Screw

8 x #8 x 3" Wood Screw

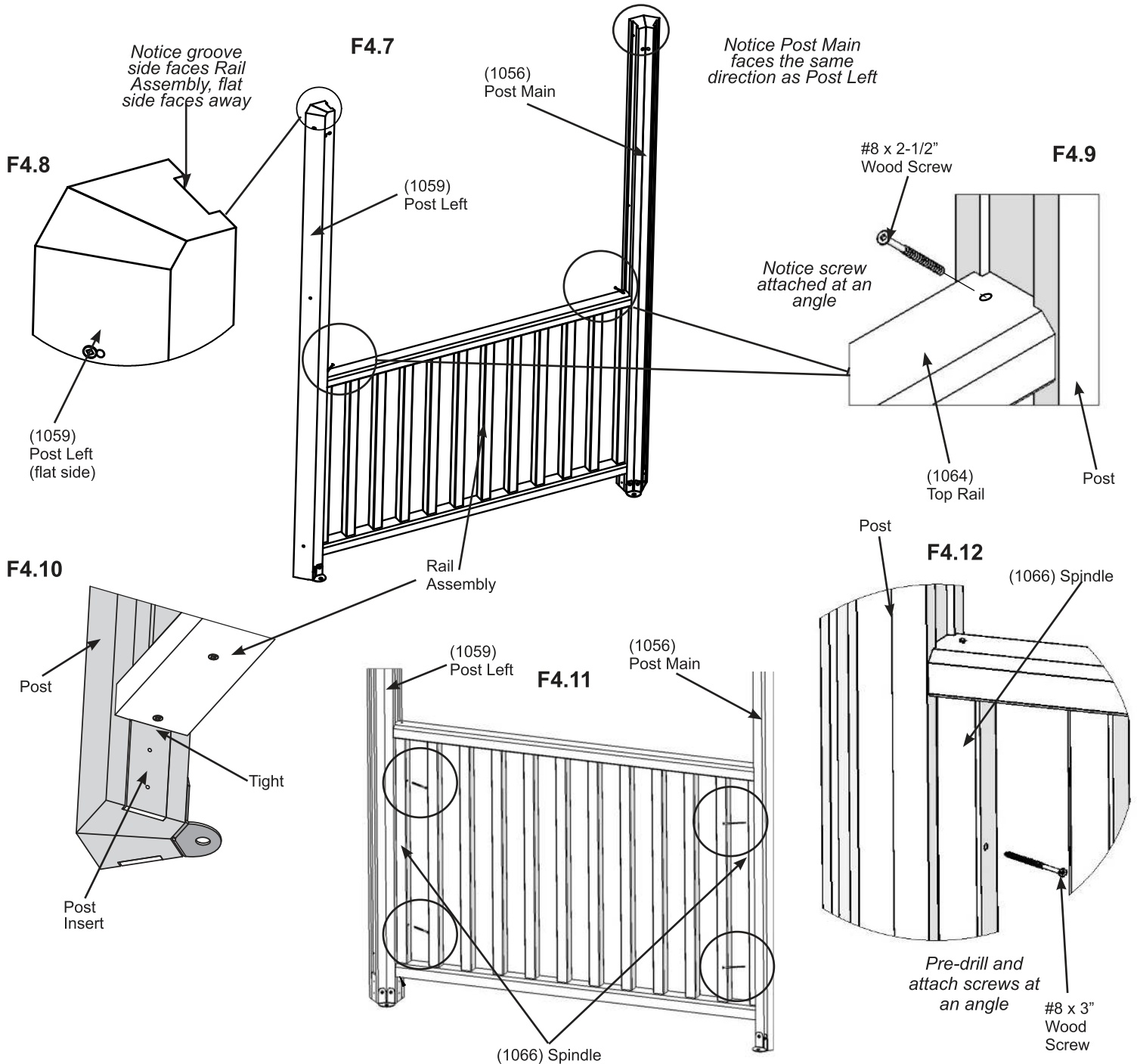
Step 4: Attach Rail Assemblies to Posts

Part 2



D: Place one (1056) Post Main on one side of one Rail Assembly and (1059) Post Left on the other side. Rail Assembly should sit tight to top of post insert. See F4.7 and F4.8 for correct positioning of posts. At an angle, attach (1064) Top Rail to posts with two #8 x 2-1/2" Wood Screws. (F4.7, F4.8, F4.9 and F4.10)

E: For each (1066) Spindle which is next to a post, at an angle, pre-drill with a 1/8" drill bit then attach (1066) Spindles to posts, on an angle, with two #8 x 3" Wood Screws per post. (F4.11 and F4.12)



Hardware

2 x #8 x 2-1/2" Wood Screw

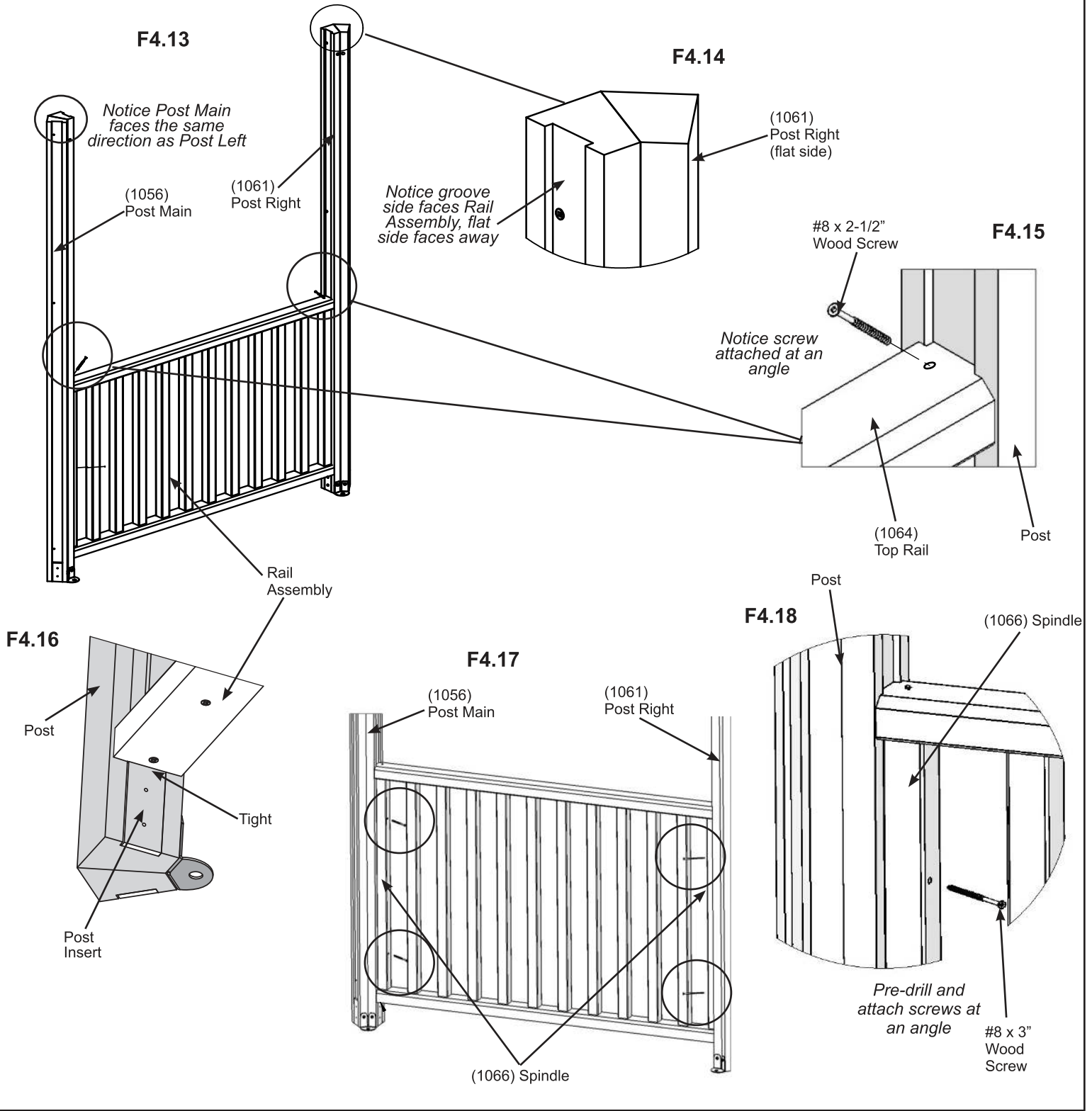
4 x #8 x 3" Wood Screw

Step 4: Attach Rail Assemblies to Posts

Part 3



F: Repeat Steps D and E using one (1056) Post Main with one (1061) Post Right. See F4.11 and F4.12 for correct positioning of Posts. (F4.13, F4.14, F4.15, F4.16, F4.17 and F4.18)

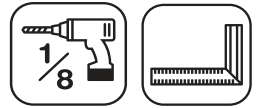


Hardware

2 x #8 x 2-1/2" Wood Screw

4 x #8 x 3" Wood Screw

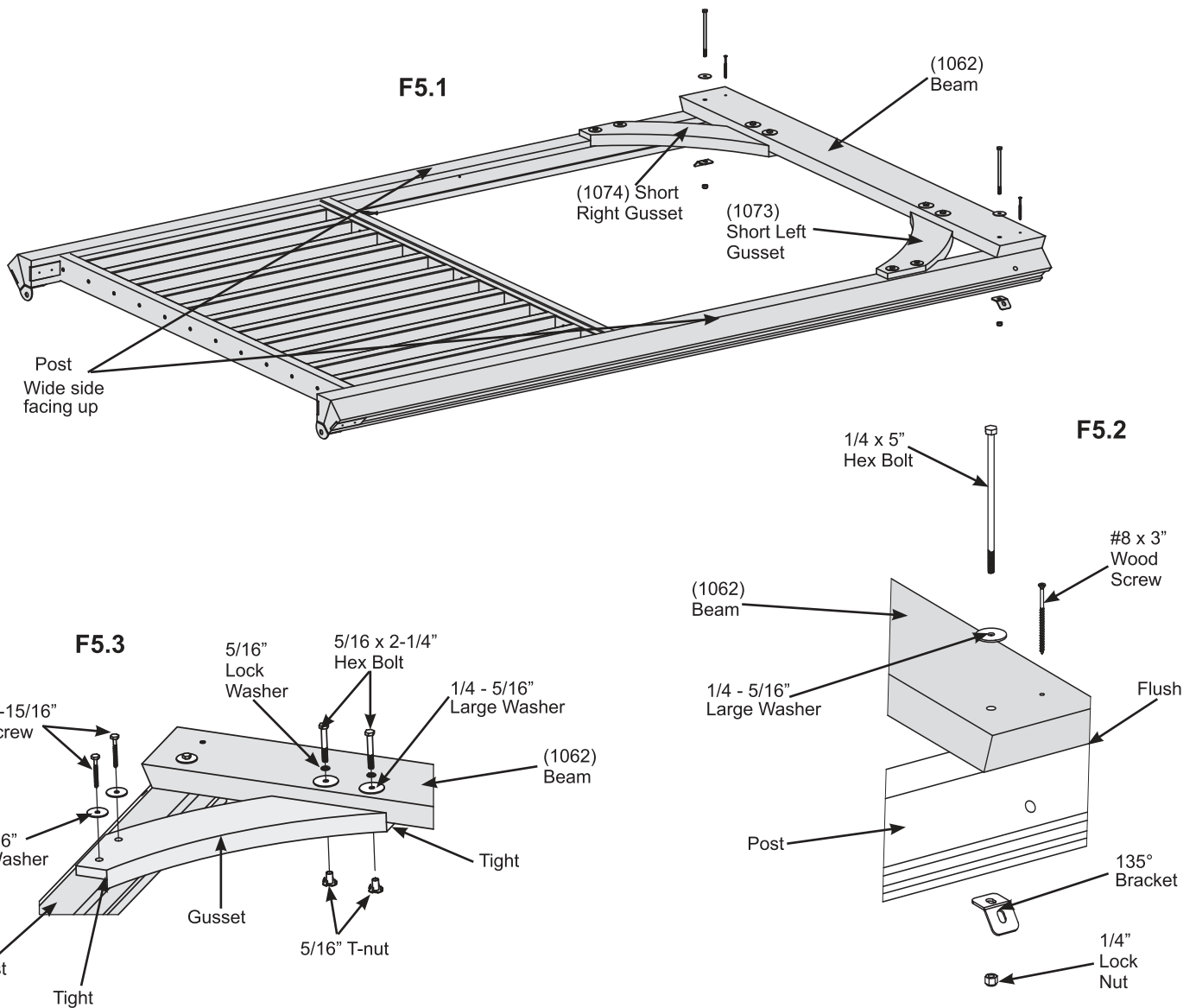
Step 5: Main Wall Assembly



A: On one Rail/Post Main Assembly place one (1062) Beam against the wide side of the posts, flush to the edges then loosely attach with two 1/4 x 5" Hex Bolts (with 1/4-5/16" large washer, 135° Bracket and 1/4" lock nut) in the bottom holes. Make sure assembly is square then attach (1062) Beam to posts with two #8 x 3" Wood Screws in the top holes. Tighten bolts. (F5.1 and F5.2)

B: Place one (1073) Short Left Gusset and one (1074) Short Right Gusset tight to the Posts and bottom of (1062) Beam then attach to beam with two 5/16 x 2-1/4" Hex Bolts (with 5/16" lock washer, 1/4-5/16" large washer and 5/16" t-nut) per gusset. Pre-drill with a 1/8" drill bit then attach gusset to posts with two 1/4 x 1-15/16" Lag Screws (with 1/4-5/16" large washer) per gusset. (F5.1 and F5.3)

C: Repeat Steps A and B for the second Rail/Post Main Assembly. This makes two Main Wall Assemblies.



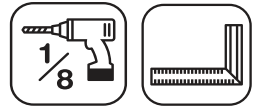
Wood Parts

- 2 x (1062) Beam
- 2 x (1073) Short Left Gusset
- 2 x (1074) Short Right Gusset

Hardware

- 4 x 1/4 x 5" Hex Bolt (1/4-5/16" large washer, 135° Bracket, 1/4" lock nut)
- 8 x 5/16 x 2-1/4" Hex Bolt (5/16" lock washer, 1/4-5/16" large washer, 5/16" t-nut)
- 8 x 1/4 x 1-15/16" Lag Screw (1/4-5/16" large washer)
- 4 x #8 x 3" Wood Screw

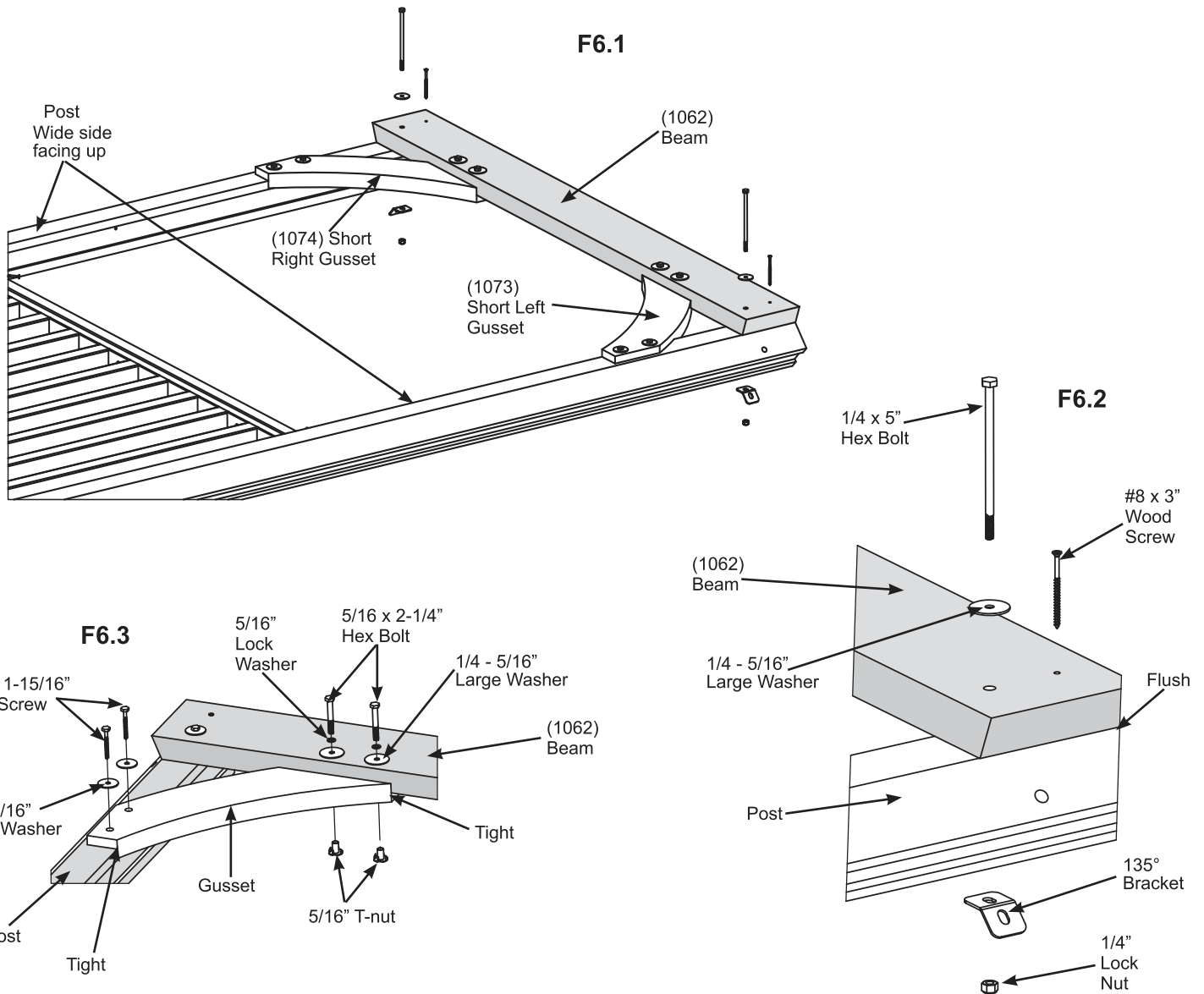
Step 6: Left and Right Wall Assemblies



A: On one Rail/Post Left Assembly place one (1062) Beam against the wide side of the posts, flush to the edges then loosely attach with two 1/4 x 5" Hex Bolts (with 1/4-5/16" large washer, 135° Bracket and 1/4" lock nut) in the bottom holes. Make sure assembly is square then attach (1062) Beam to posts with two #8 x 3" Wood Screws in the top holes. Tighten bolts. (F6.1 and F6.2)

B: Place one (1073) Short Left Gusset and one (1074) Short Right Gusset tight to the Posts and bottom of (1062) Beam then attach to beam with two 5/16 x 2-1/4" Hex Bolts (with 5/16" lock washer, 1/4-5/16" large washer and 5/16" t-nut) per gusset. Pre-drill with a 1/8" drill bit then attach gusset to posts with two 1/4 x 1-15/16" Lag Screws (with 1/4-5/16" large washer) per gusset. (F6.1 and F6.3)

C: Repeat Steps A and B for the Rail/Post Right Assembly.



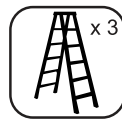
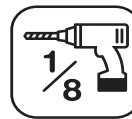
Wood Parts

- 2 x (1062) Beam
- 2 x (1073) Short Left Gusset
- 2 x (1074) Short Right Gusset

Hardware

- 4 x 1/4 x 5" Hex Bolt (1/4-5/16" large washer, 135° Bracket, 1/4" lock nut)
- 8 x 5/16 x 2-1/4" Hex Bolt (5/16" lock washer, 1/4-5/16" large washer, 5/16" t-nut)
- 8 x 1/4 x 1-15/16" Lag Screw (1/4-5/16" large washer)
- 4 x #8 x 3" Wood Screw

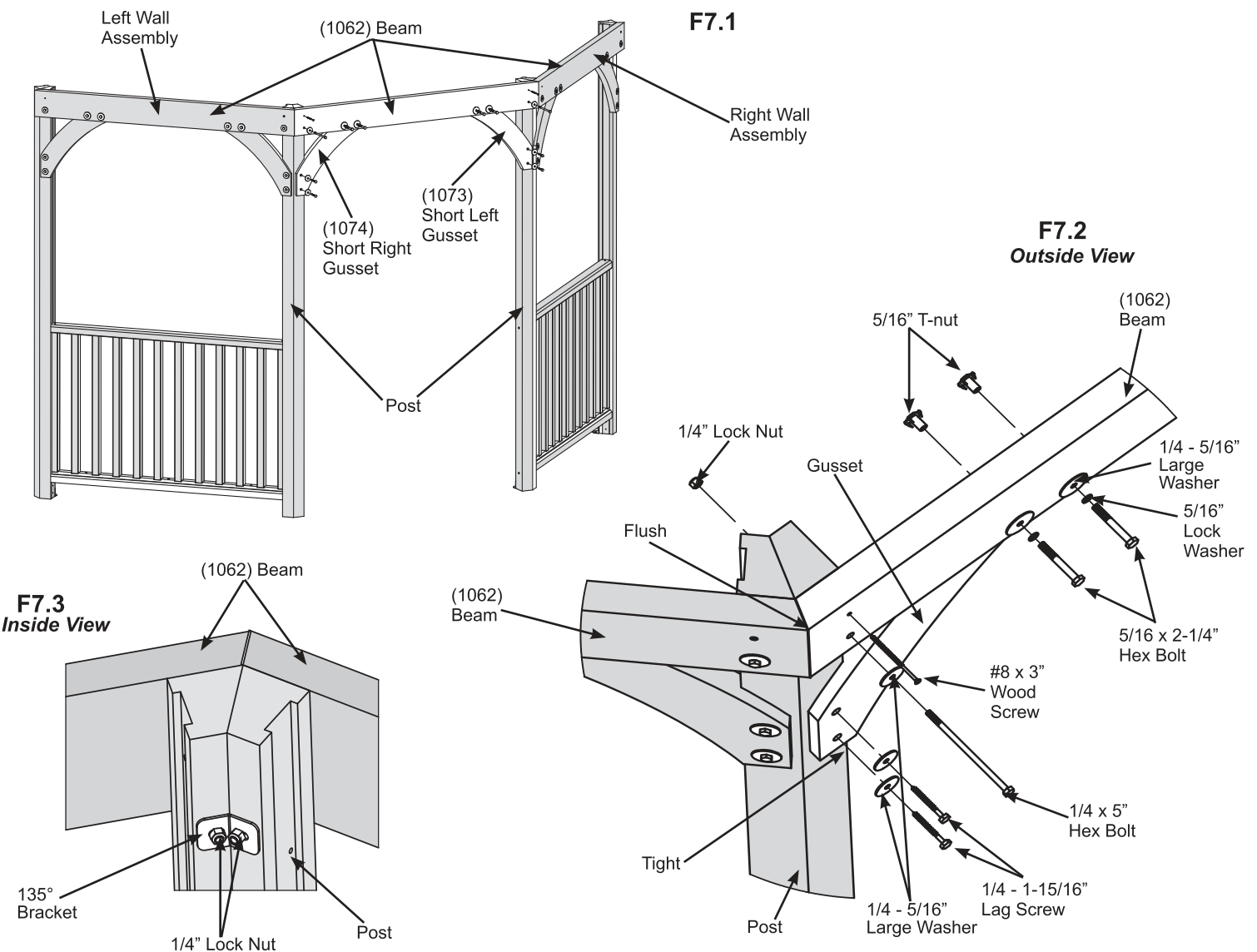
Step 7: Frame Assembly Part 1



A: Move Wall Assemblies to the final location. Make sure the ground is flat and level before continuing assembly.

B: With one person holding the Left Wall Assembly and one person holding the Right Wall Assembly place one (1062) Beam in between walls so it is flush to the top of previously installed (1062) Beams. Loosely attach (1062) Beam to each wall with two 1/4 x 5" Hex Bolts (with 1/4-5/16" large washer and 1/4" lock nut) in the bottom holes. Bolt goes through 135° Brackets previously installed. Make sure assembly is square then attach (1062) Beam to walls with two #8 x 3" Wood Screws in the top holes. Tighten bolts. (F7.1, F7.2 and F7.3)

C: Place one (1073) Short Left Gusset and one (1074) Short Right Gusset tight to the Posts and bottom of (1062) Beam then attach to beam with two 5/16 x 2-1/4" Hex Bolts (with 5/16" lock washer, 1/4-5/16" large washer and 5/16" t-nut) per gusset. Pre-drill with a 1/8" drill bit then attach gusset to posts with two 1/4 x 1-15/16" Lag Screws (with 1/4-5/16" large washer) per gusset. (F7.1 and F7.2)



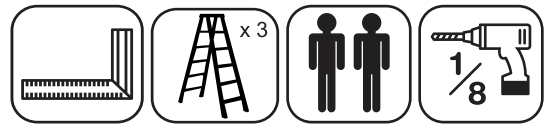
Wood Parts

- 1 x (1062) Beam
- 1 x (1073) Short Left Gusset
- 1 x (1074) Short Right Gusset

Hardware

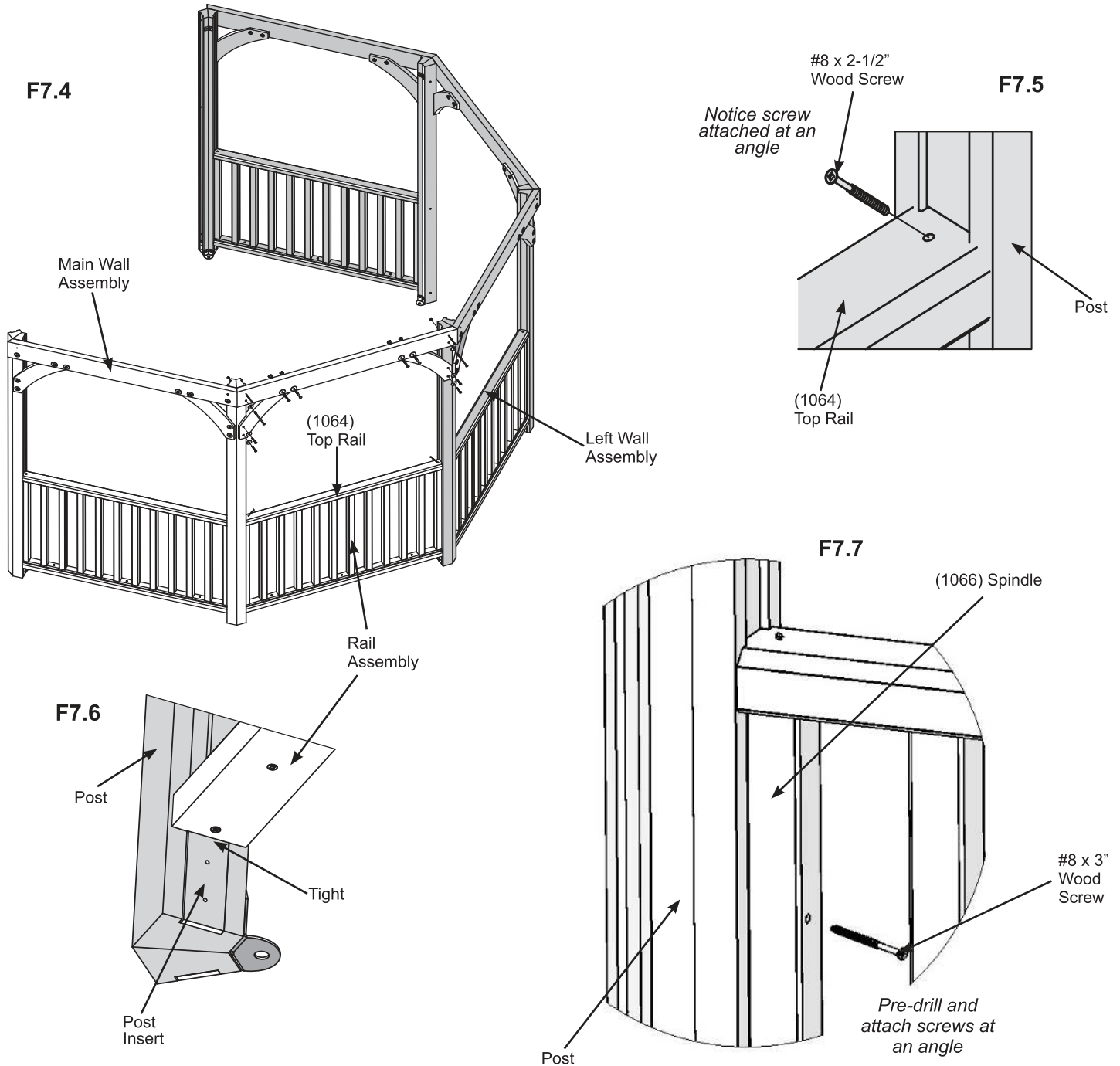
- 2 x 1/4 x 5" Hex Bolt (1/4-5/16" large washer, 1/4" lock nut)
- 4 x 5/16 x 2-1/4" Hex Bolt (5/16" lock washer, 1/4-5/16" large washer, 5/16" t-nut)
- 4 x 1/4 x 1-15/16" Lag Screw (1/4-5/16" large washer)
- 2 x #8 x 3" Wood Screw

Step 7: Frame Assembly Part 2



D: Place one Rail Assembly between Left Wall Assembly and one Main Wall Assembly. Rail Assembly should sit tight to top of post inserts. At an angle, attach (1064) Top Rail to posts with two #8 x 2-1/2" Wood Screws. (F7.4, F7.5 and F7.6)

E: For each (1066) Spindle which is next to a post, at an angle, pre-drill with a 1/8" drill bit then attach (1066) Spindles to posts, on an angle, with two #8 x 3" Wood Screws per post. (F7.4 and F7.7)

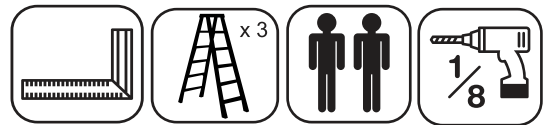


Hardware

4 x #8 x 2-1/2" Wood Screw

8 x #8 x 3" Wood Screw

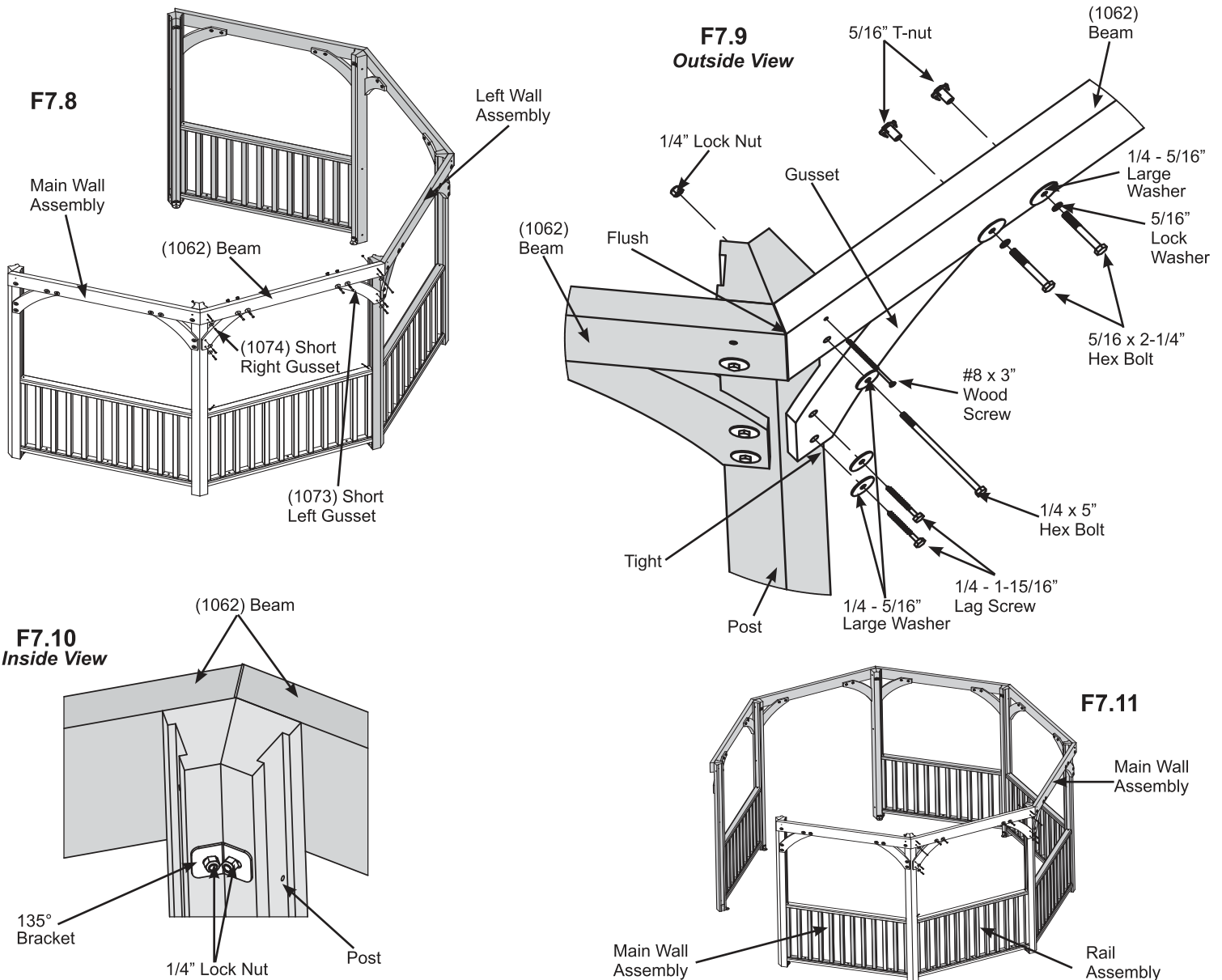
Step 7: Frame Assembly Part 3



F: Place one (1062) Beam in between walls so it is flush to the top of previously installed (1062) Beams. Loosely attach (1062) Beam to each wall with two 1/4 x 5" Hex Bolts (with 1/4-5/16" large washer and 1/4" lock nut) in the bottom holes. Bolt goes through 135° Brackets previously installed. Make sure assembly is square then attach (1062) Beam to walls with two #8 x 3" Wood Screws in the top holes. Tighten bolts. (F7.8, F7.9 and F7.10)

G: Place one (1073) Short Left Gusset and one (1074) Short Right Gusset tight to the Posts and bottom of (1062) Beam then attach to beam with two 5/16 x 2-1/4" Hex Bolts (with 5/16" lock washer, 1/4-5/16" large washer and 5/16" t-nut) per gusset. Pre-drill with a 1/8" drill bit then attach gusset to posts with two 1/4 x 1-15/16" Lag Screws (with 1/4-5/16" large washer) per gusset. (F7.8 and F7.9)

H: Repeat Steps D - G for another Rail Assembly and Wall Assembly next to the first set. (F7.11)



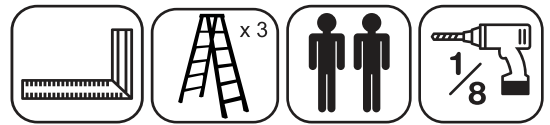
Wood Parts

- 2 x (1062) Beam
- 2 x (1073) Short Left Gusset
- 2 x (1074) Short Right Gusset

Hardware

- 4 x 1/4 x 5" Hex Bolt (1/4-5/16" large washer, 1/4" lock nut)
- 8 x 5/16 x 2-1/4" Hex Bolt (5/16" lock washer, 1/4-5/16" large washer, 5/16" t-nut)
- 8 x 1/4 x 1-15/16" Lag Screw (1/4-5/16" large washer)
- 4 x #8 x 3" Wood Screw

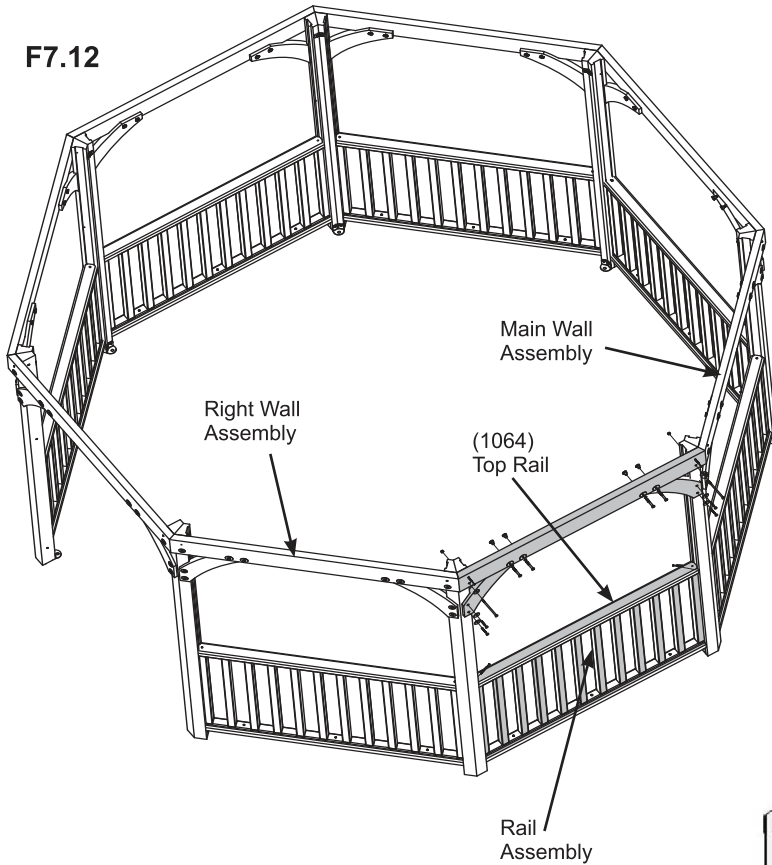
Step 7: Frame Assembly Part 4



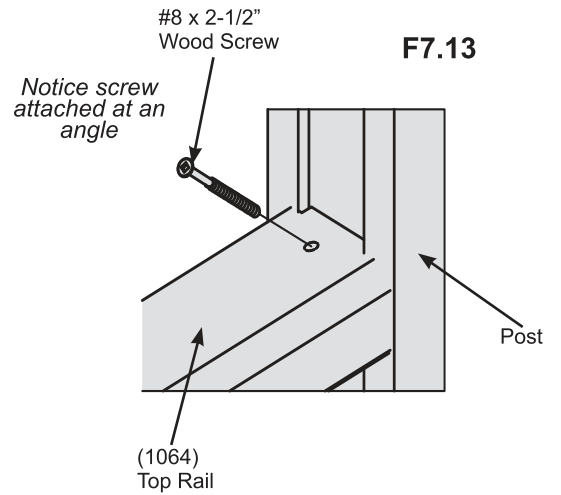
I: Place remaining Rail Assembly between Right Wall Assembly and Main Wall Assembly. Rail Assembly should sit tight to top of post inserts. At an angle, attach (1064) Top Rail to posts with two #8 x 2-1/2" Wood Screws. (F7.12, F7.13 and F7.14)

J: For each (1066) Spindle which is next to a post, at an angle, pre-drill with a 1/8" drill bit then attach (1066) Spindles to posts, on an angle, with two #8 x 3" Wood Screws per post. (F7.12 and F7.15)

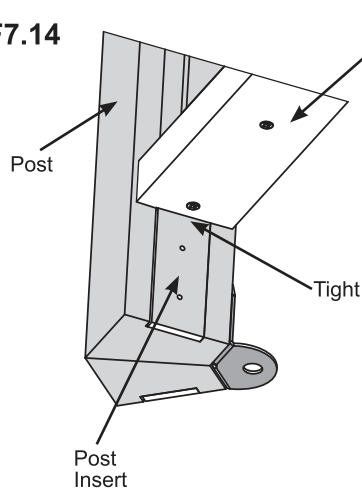
F7.12



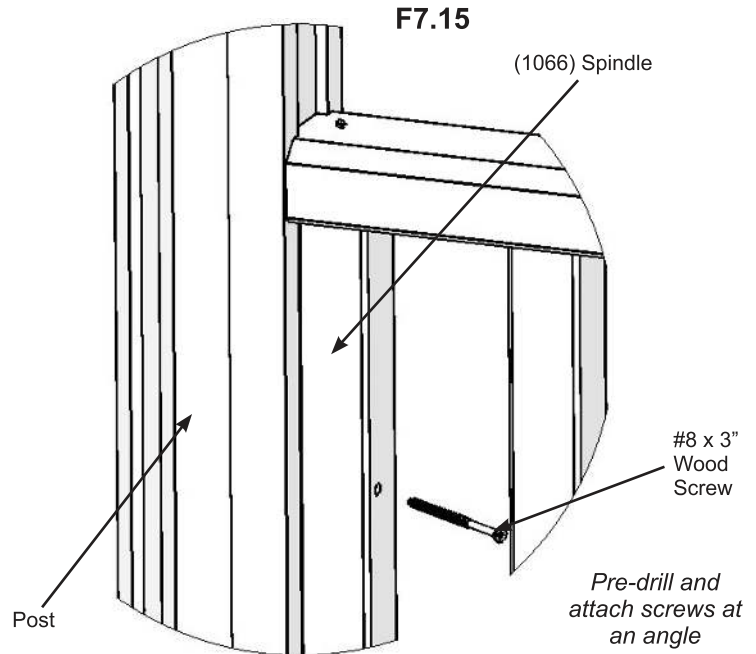
F7.13



F7.14



F7.15

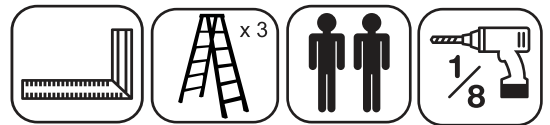


Hardware

2 x #8 x 2-1/2" Wood Screw

4 x #8 x 3" Wood Screw

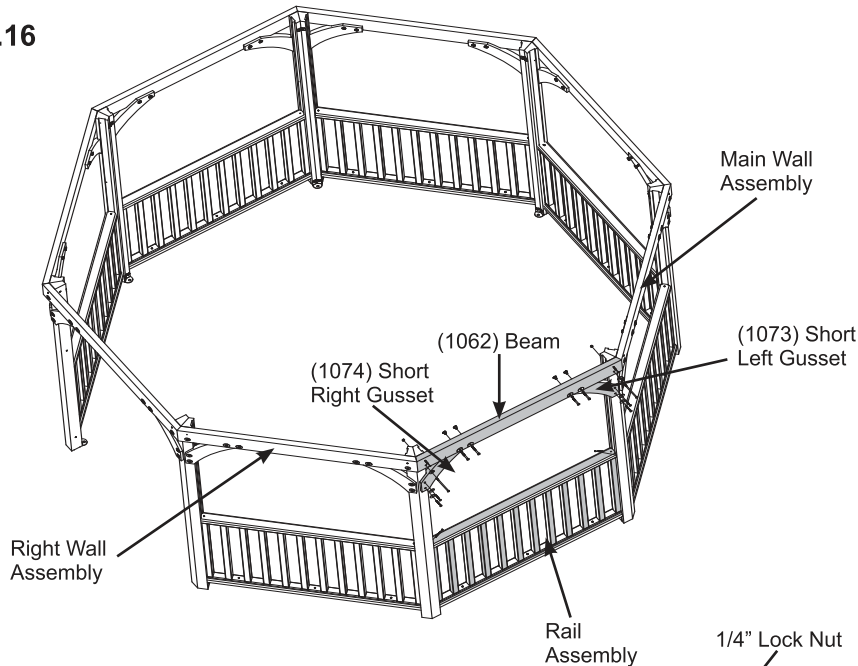
Step 7: Frame Assembly Part 5



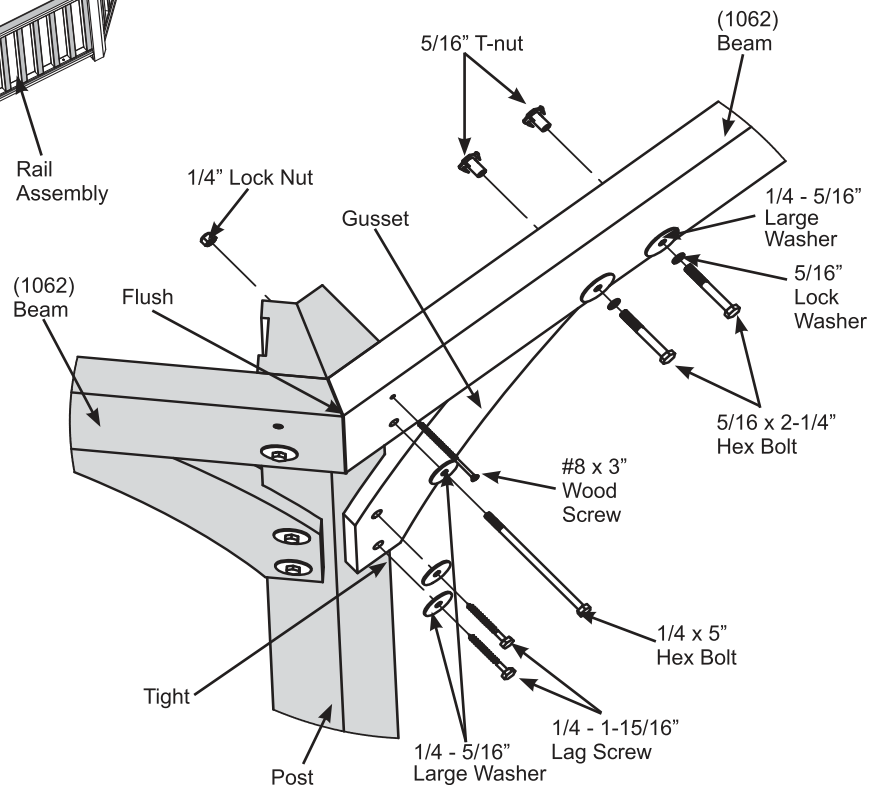
K: Place one (1062) Beam in between walls so it is flush to the top of previously installed (1062) Beams. Loosely attach (1062) Beam to each wall with two 1/4 x 5" Hex Bolts (with 1/4-5/16" large washer and 1/4" lock nut) in the bottom holes. Bolt goes through 135° Brackets previously installed. Make sure assembly is square then attach (1062) Beam to walls with two #8 x 3" Wood Screws in the top holes. Tighten bolts. (F7.16, F7.17 and F7.18)

L: Place one (1073) Short Left Gusset and one (1074) Short Right Gusset tight to the Posts and bottom of (1062) Beam then attach to beam with two 5/16 x 2-1/4" Hex Bolts (with 5/16" lock washer, 1/4-5/16" large washer and 5/16" t-nut) per gusset. Pre-drill with a 1/8" drill bit then attach gusset to posts with two 1/4 x 1-15/16" Lag Screws (with 1/4-5/16" large washer) per gusset. (F7.16 and F7.17)

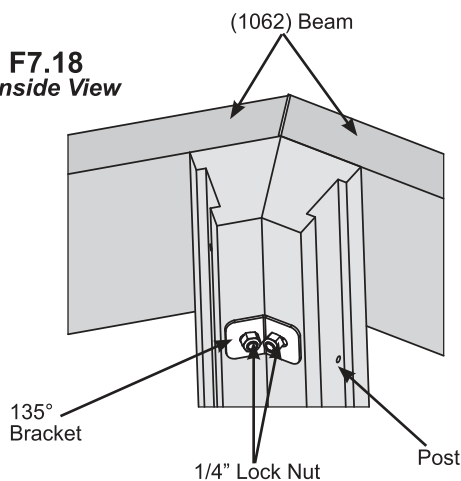
F7.16



**F7.17
Outside View**



**F7.18
Inside View**



Wood Parts

- 1 x (1062) Beam
- 1 x (1073) Short Left Gusset
- 1 x (1074) Short Right Gusset

Hardware

- 2 x 1/4 x 5" Hex Bolt (1/4-5/16" large washer, 1/4" lock nut)
- 4 x 5/16 x 2-1/4" Hex Bolt (5/16" lock washer, 1/4-5/16" large washer, 5/16" t-nut)
- 4 x 1/4 x 1-15/16" Lag Screw (1/4-5/16" large washer)
- 2 x #8 x 3" Wood Screw

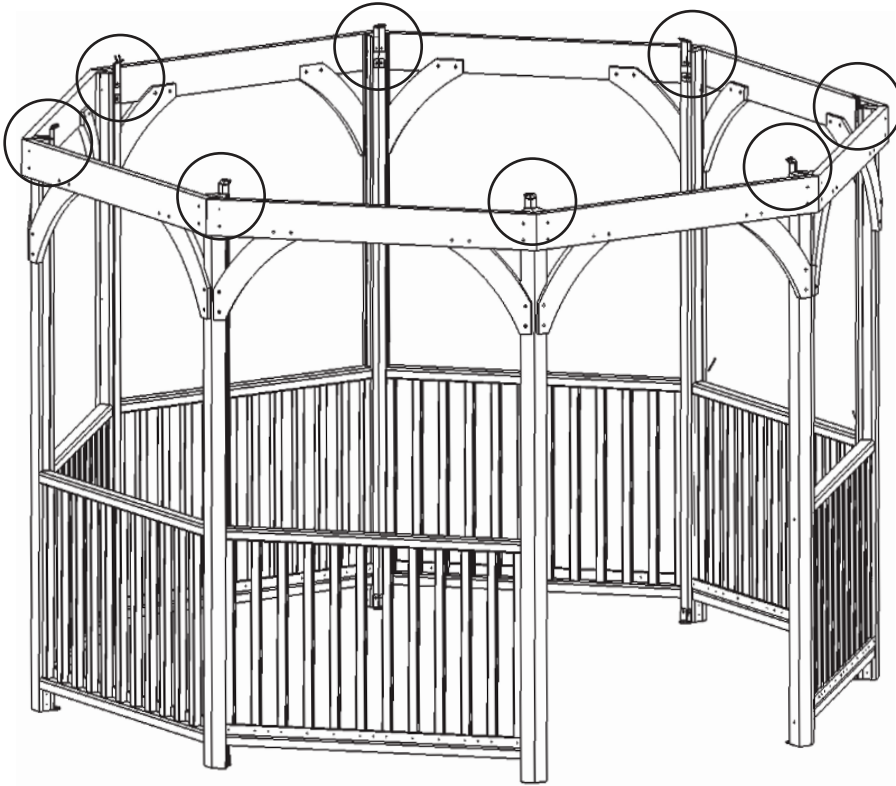
Step 7: Frame Assembly

Part 6

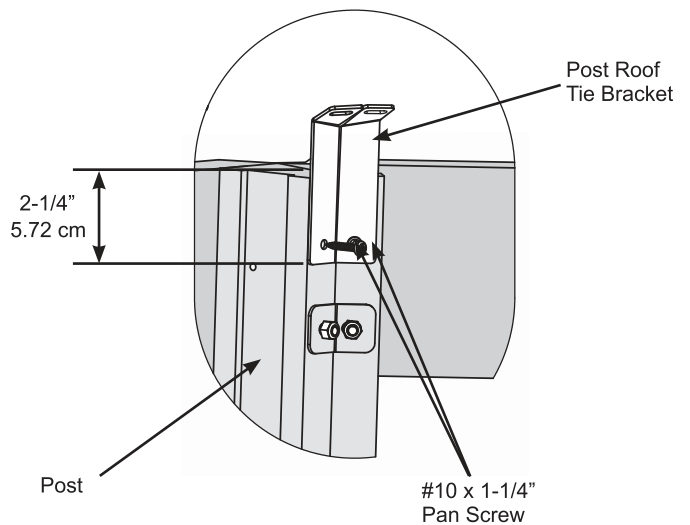


M: In the places shown in F7.19, measure 2-1/4" (5.72 cm) down from the top of the Post then attach Post Roof Tie Bracket to Posts with two #10 x 1-1/4" Pan Screws per bracket. (F7.19 and F7.20)

F7.19



F7.20



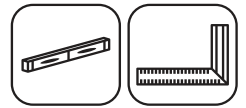
Components

8 x Post Roof Tie Bracket

Hardware

16 x #10 x 1-1/4" Pan Screw

Step 8: Anchoring Frame Assembly

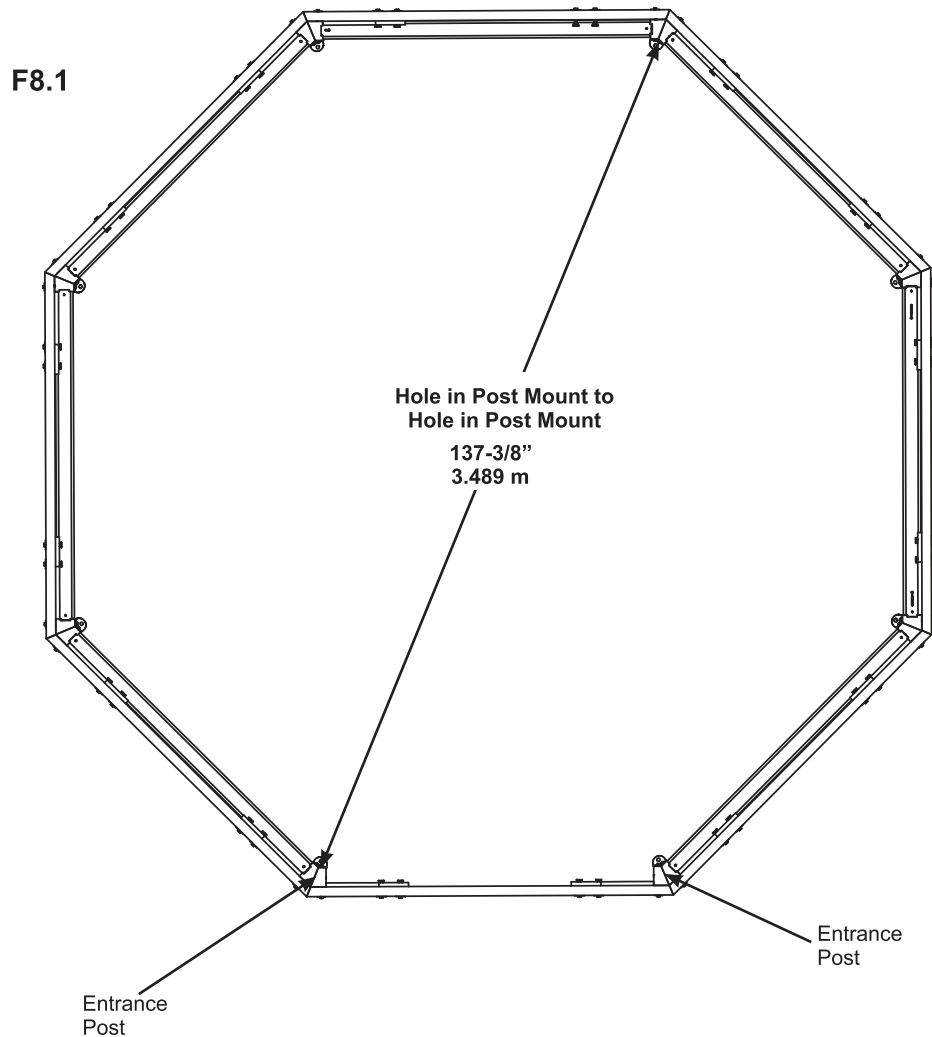


A: Make sure the distance between the entrance posts are the same at the top and bottom of the assembly. (F8.1)

B: Make sure each corner is square and level. The diagonal distance between the hole in the Post Mount of two opposite Post Assemblies should be $137\text{-}3/8''$ (3.489 m). (F8.1)

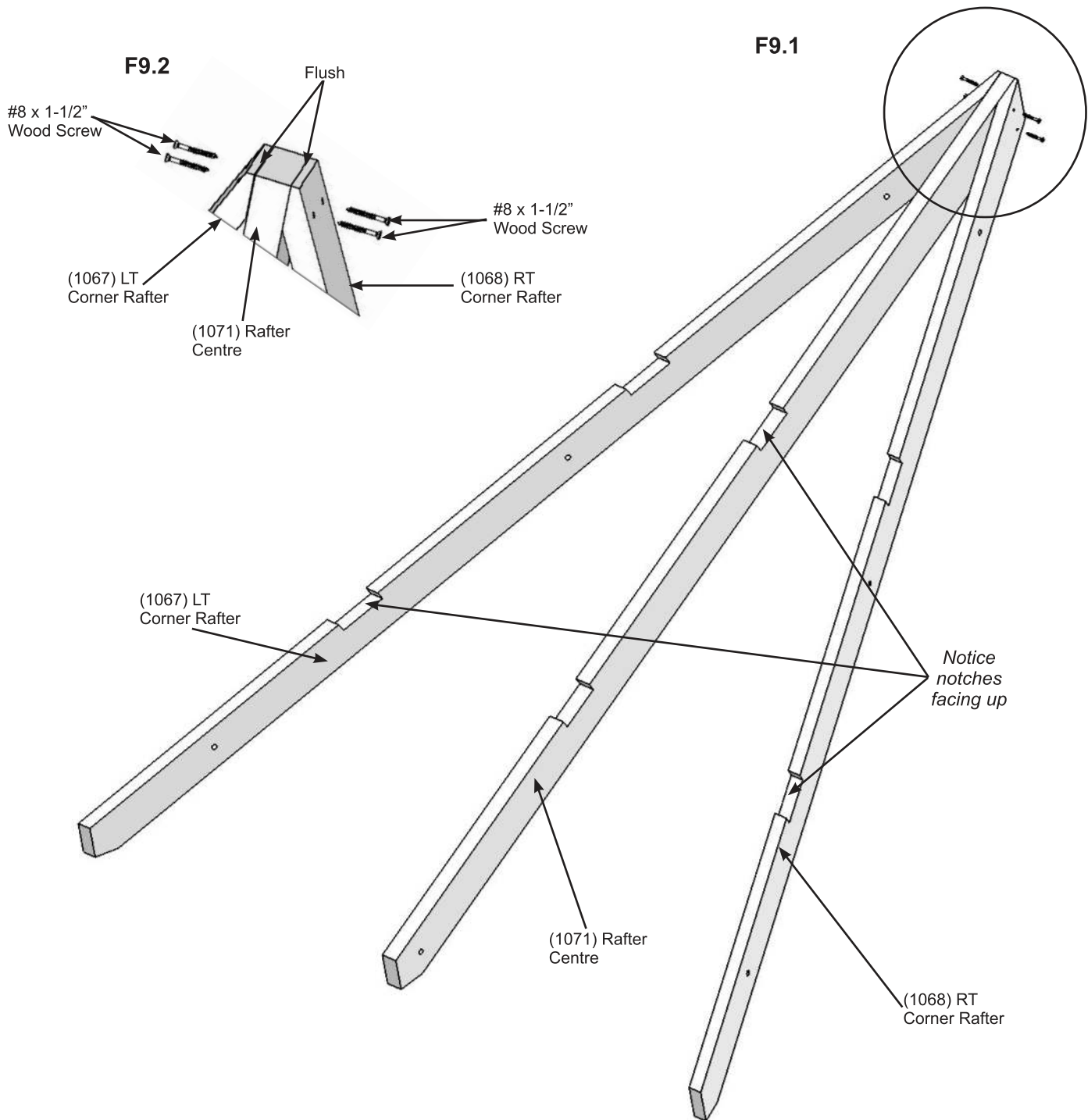
C: Depending on what you are placing the Gazebo on will determine how you anchor it to that surface. Please refer to pages 6 and 7 for installation examples.

Any hardware or extra materials for mounting will have to be purchased in advance.



Step 9: Roof Panel Frame Part 1

A: On each side of one (1071) Rafter Centre place one (1067) LT Corner Rafter and one (1068) RT Corner Rafter so the tops are flush. Attach through (1067) LT Corner Rafter and (1068) RT Corner Rafter with two #8 x 1-1/2" Wood Screws per side. (F9.1 and F9.2)



Wood Parts

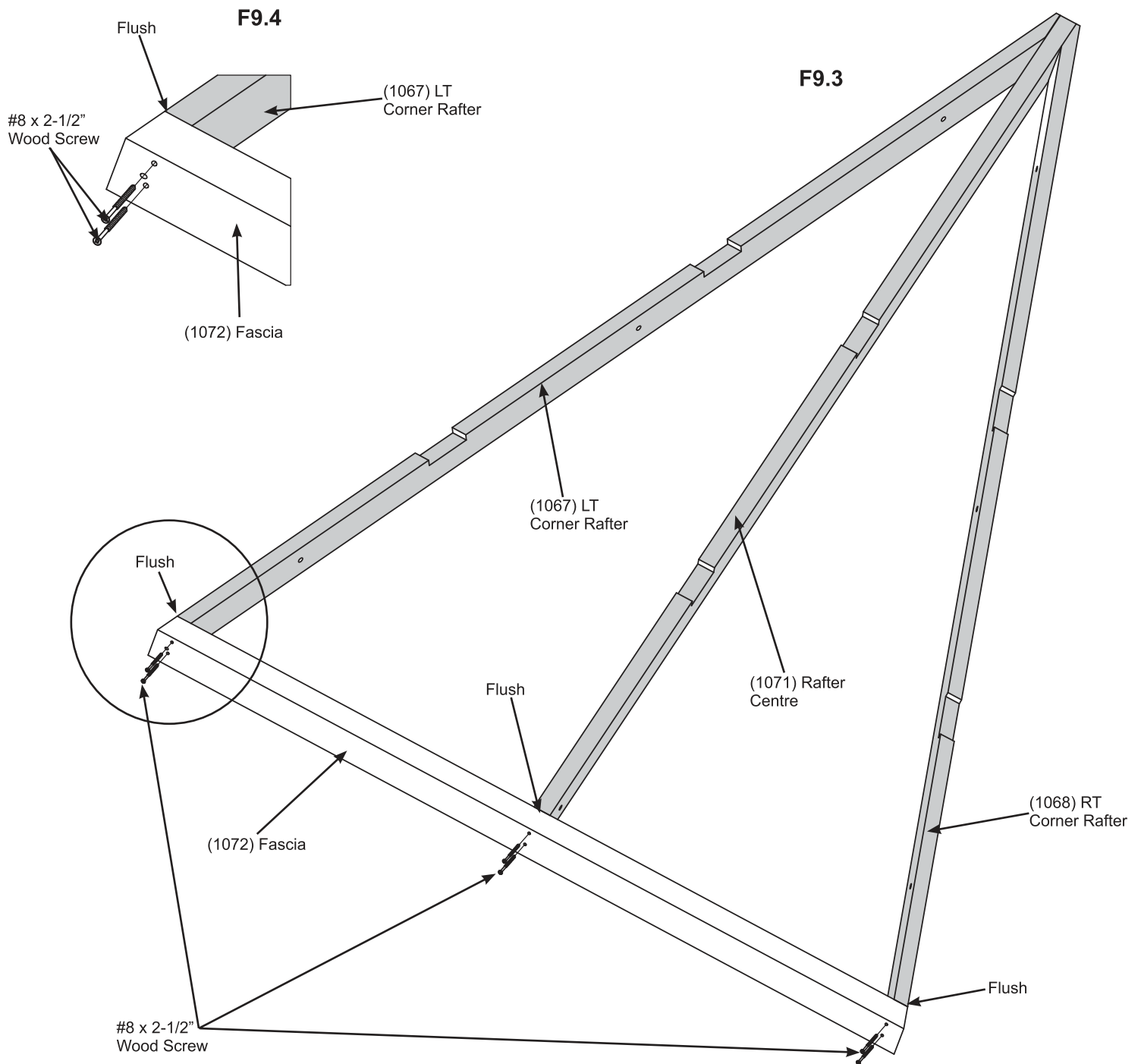
- 8 x (1067) LT Corner Rafter
- 8 x (1068) RT Corner Rafter
- 8 x (1071) Rafter Centre

Hardware

- 32 x #8 x 1-1/2" Wood Screw

Step 9: Roof Panel Frame Part 2

B: Place one (1072) Fascia on the bottom of (1071) Rafter Centre, (1067) LT Corner Rafter and (1068) RT Corner Rafter, flush to the outside Corner Rafters and tops of all three rafters. Attach with six #8 x 2-1/2" Wood Screws. (F9.3 and F9.4)



Wood Parts

8 x (1072) Fascia

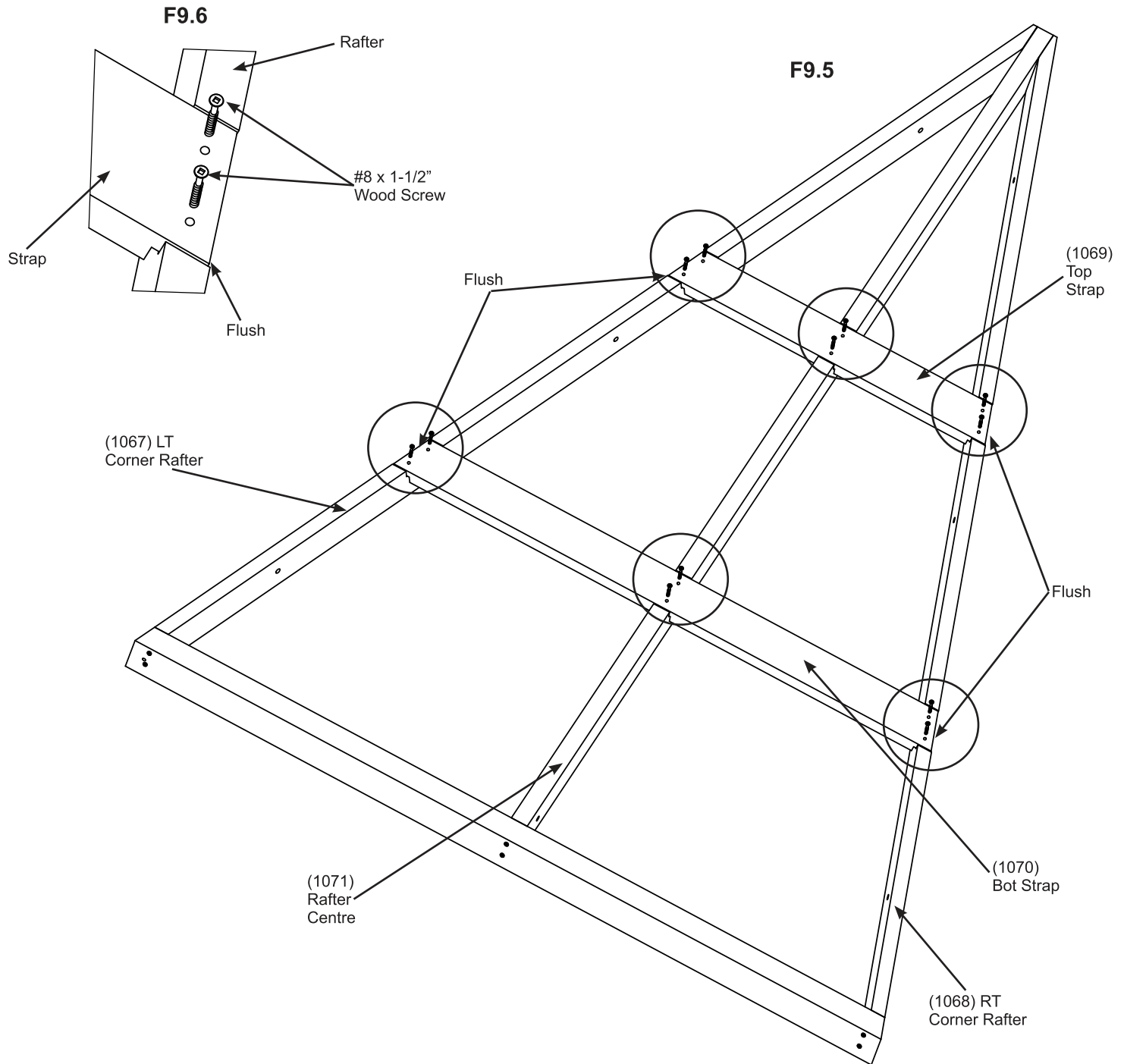
Hardware

48 x #8 x 2-1/2" Wood Screw

Step 9: Roof Panel Frame Part 3

C: Place one (1069) Top Strap and one (1070) Bot Strap in the grooves of the rafters so the outside edges are flush with the outside rafters then attach with six #8 x 1-1/2" Wood Screws per board. (F9.5 and F9.6)

D: Repeat Steps A - C seven more times to create eight Roof Panel Frames.



Wood Parts

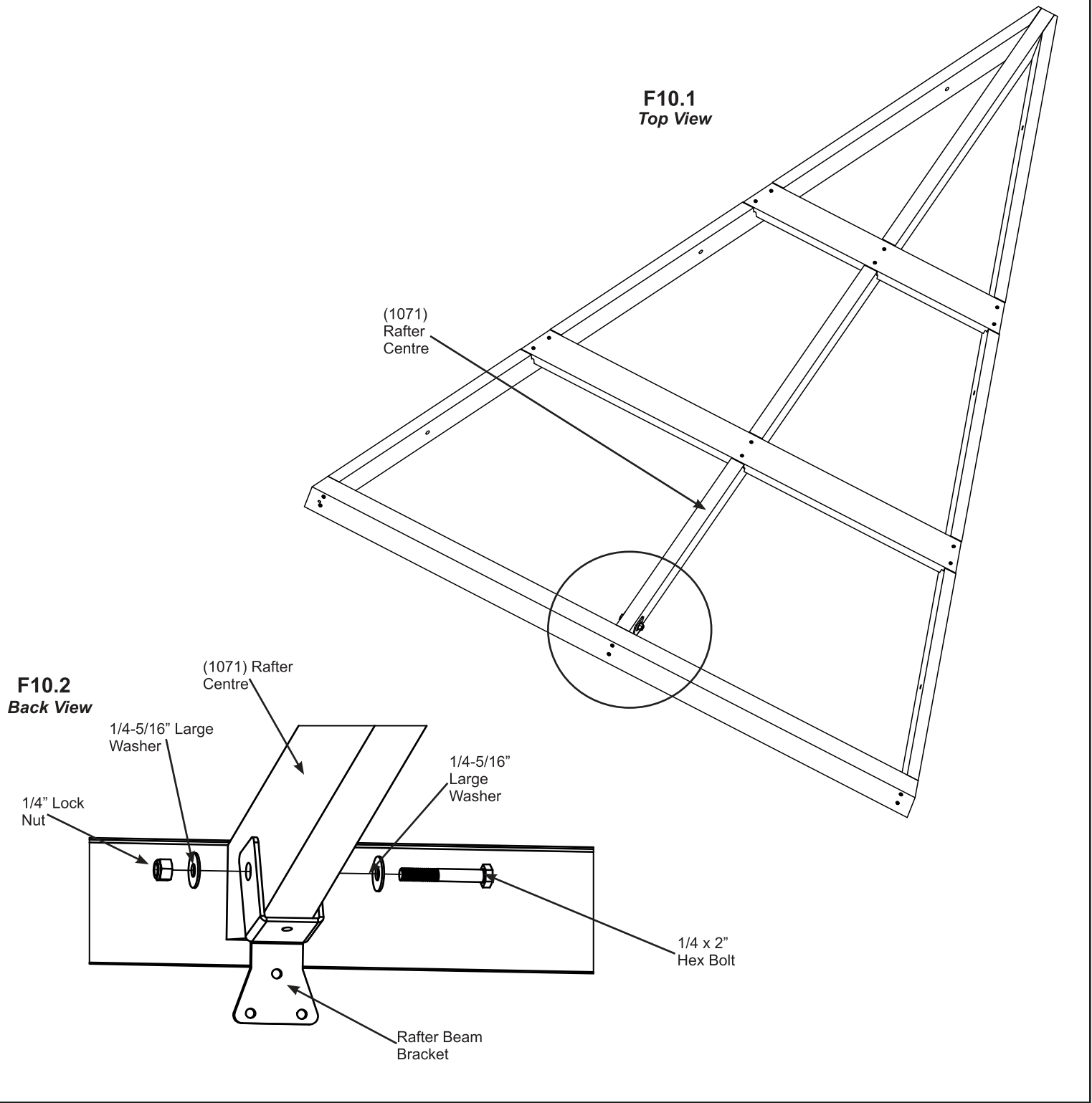
8 x (1069) Top Strap
8 x (1070) Bot Strap

Hardware

96 x #8 x 1-1/2" Wood Screw

Step 10: Attach Rafter Beam Brackets

A: On the back of seven Roof Panel Frames place one Rafter Beam Bracket on each (1071) Rafter Centre then loosely attach each bracket to rafters with one 1/4 x 2" Hex Bolt (with two 1/4-5/16" large washers and one 1/4" lock nut). (F10.1 and F10.2)

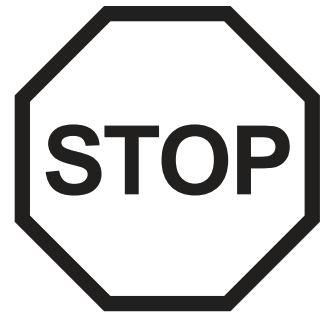
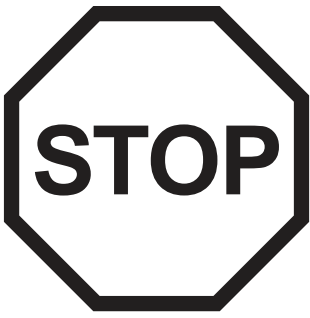


Components:

7 x Rafter Beam Bracket

Hardware

7 x 1/4 x 2" Hex Bolt
(1/4-5/16" large washer x 2, 1/4" lock nut)



INSTALLING ROOFING MATERIAL

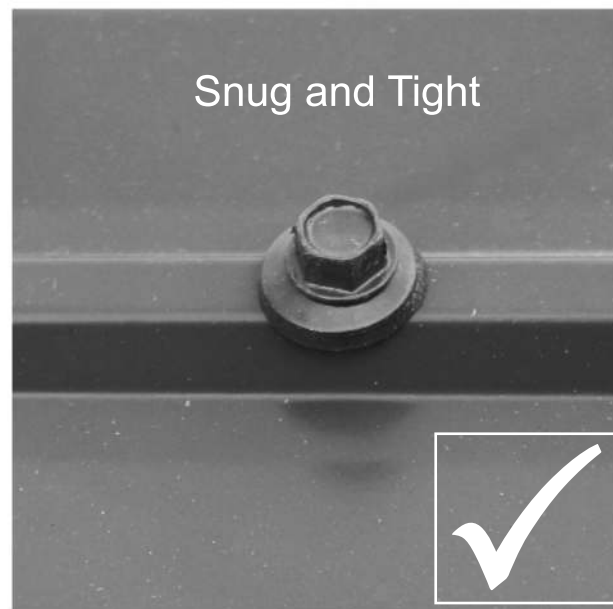
CAUTION!

Roofing material may have sharp edges! Wear gloves!

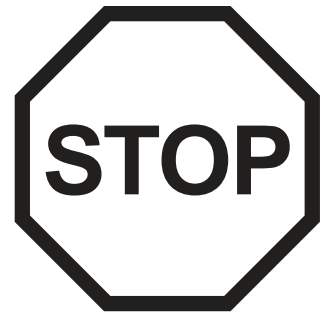
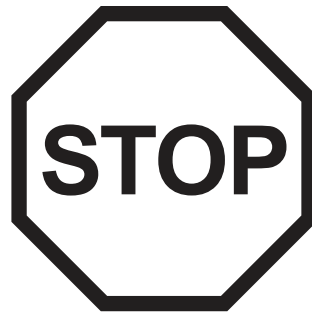
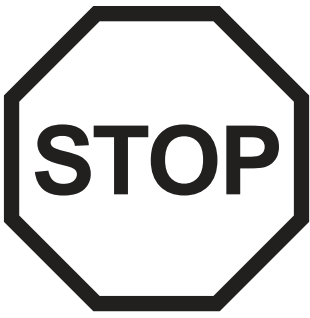
HANDLE WITH CARE!

Place roofing material on a non-abrasive surface before assembly as it can bend, dent and scratch easily.

**WARNING – DO NOT OVER TIGHTEN ROOFING SCREWS!
Over tightening screws will cause roofing material to crush.**



The roofing screws can easily crush the Roof Panels and Roof Edges when using a power drill. We recommend hand tightening the roofing screws so that they sit snug and tight to the roofing material.

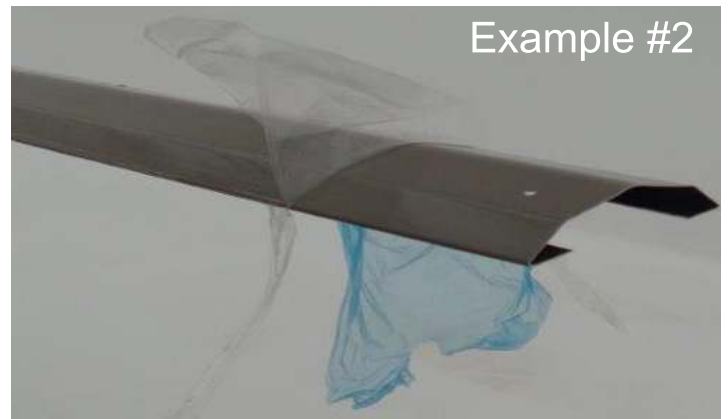
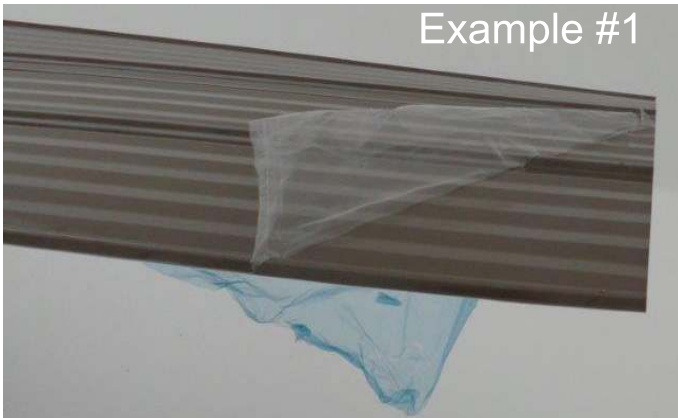


INSTALLING ROOFING MATERIAL

CAUTION!

Roofing material may have sharp edges! Wear gloves!

BE SURE TO REMOVE ALL PLASTIC COVERING, ON BOTH SIDES OF THE ALUMINUM PANELS AND TRIM, DIRECTLY BEFORE INSTALLING EACH PIECE. *(One side is clear and the other is blue, both must be removed.)*



Step 11: Attach Roof Panels

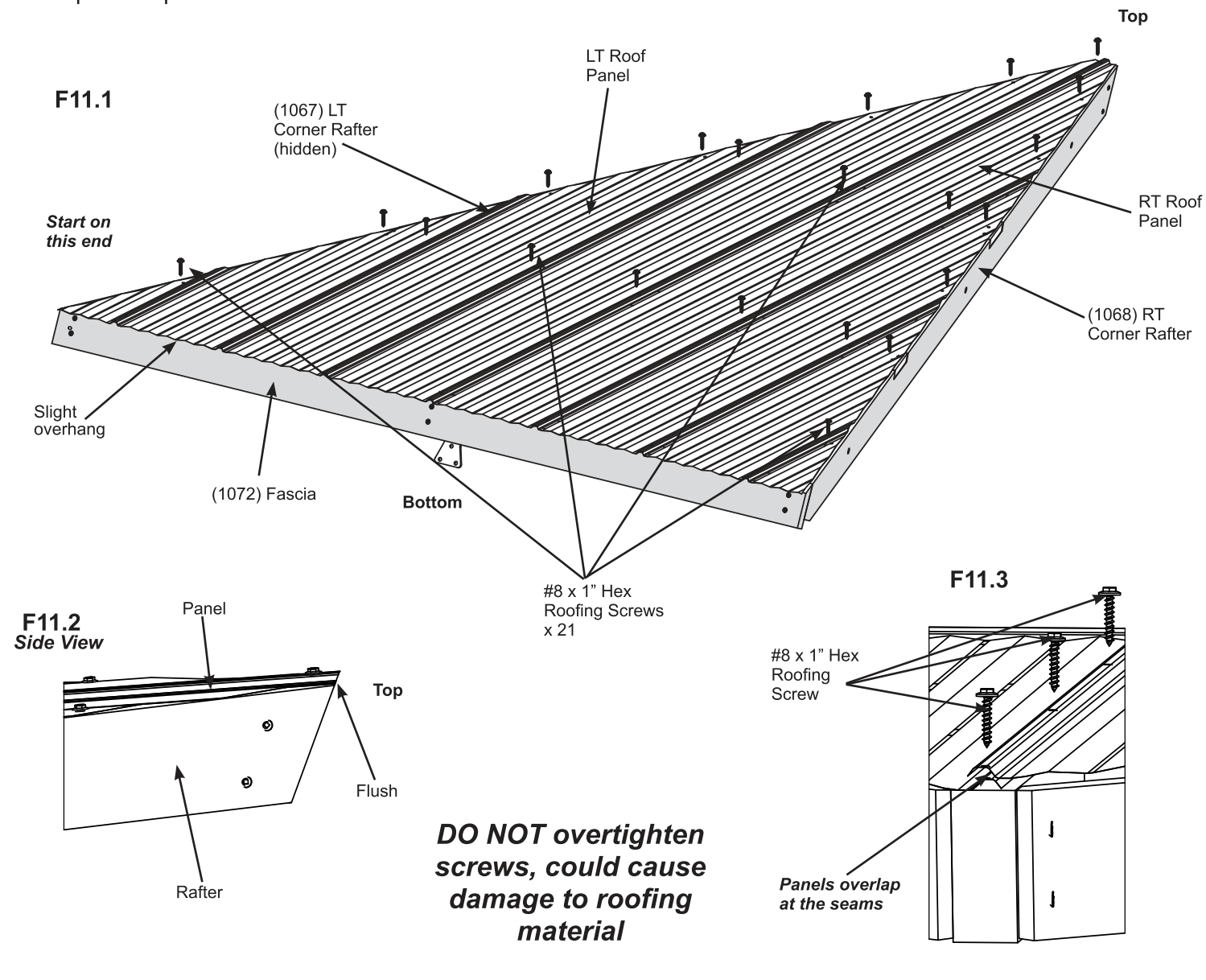
Note: Be sure to remove all plastic covering on both sides of the metal panels directly before installing each piece.

A: On one Roof Panel Frame place one LT Roof Panel flush to the top and side of (1067) LT Corner Rafter. There will be a slight overhang at the bottom. (F11.1 and F11.2)

B: Place one RT Roof Panel beside LT Roof Panel so the panels overlap and screw holes line up. RT Roof Panel to be flush to side of (1068) RT Corner Rafter and top of Roof Panel Frame. (F11.1, F11.2 and F11.3)

C: Attach all Roof Panels to Roof Panel Frame using 21 #8 x 1" Hex Roofing Screws in locations shown in F11.1. Do not install screws to the bottom. Be sure not to overtighten screws.

D: Repeat Steps A - C for each Roof Panel Frame.



Roof Panel Set:

- 8 x LT Roof Panel
- 8 x RT Roof Panel

Hardware

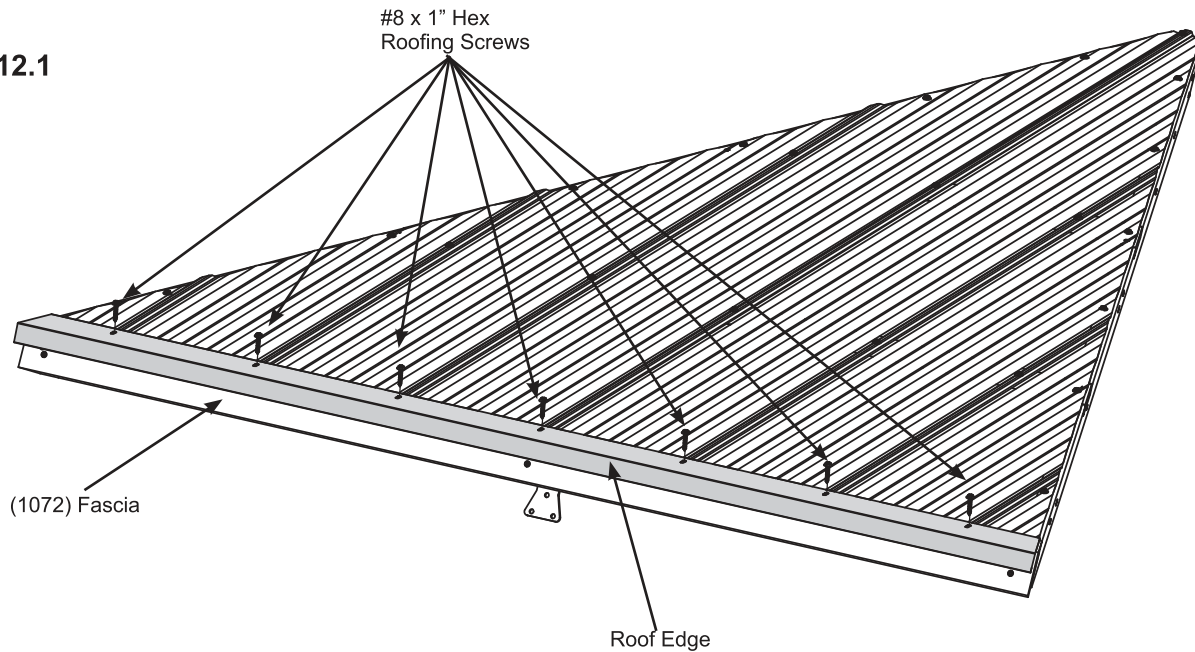
- 168 x #8 x 1" Hex Roofing Screw

Step 12: Attach Roof Edge

A: Place one Roof Edge on the bottom of Roof Panel Frame. Attach Roof Edge with seven #8 x 1" Roofing Screws. (F12.1 and F12.2)

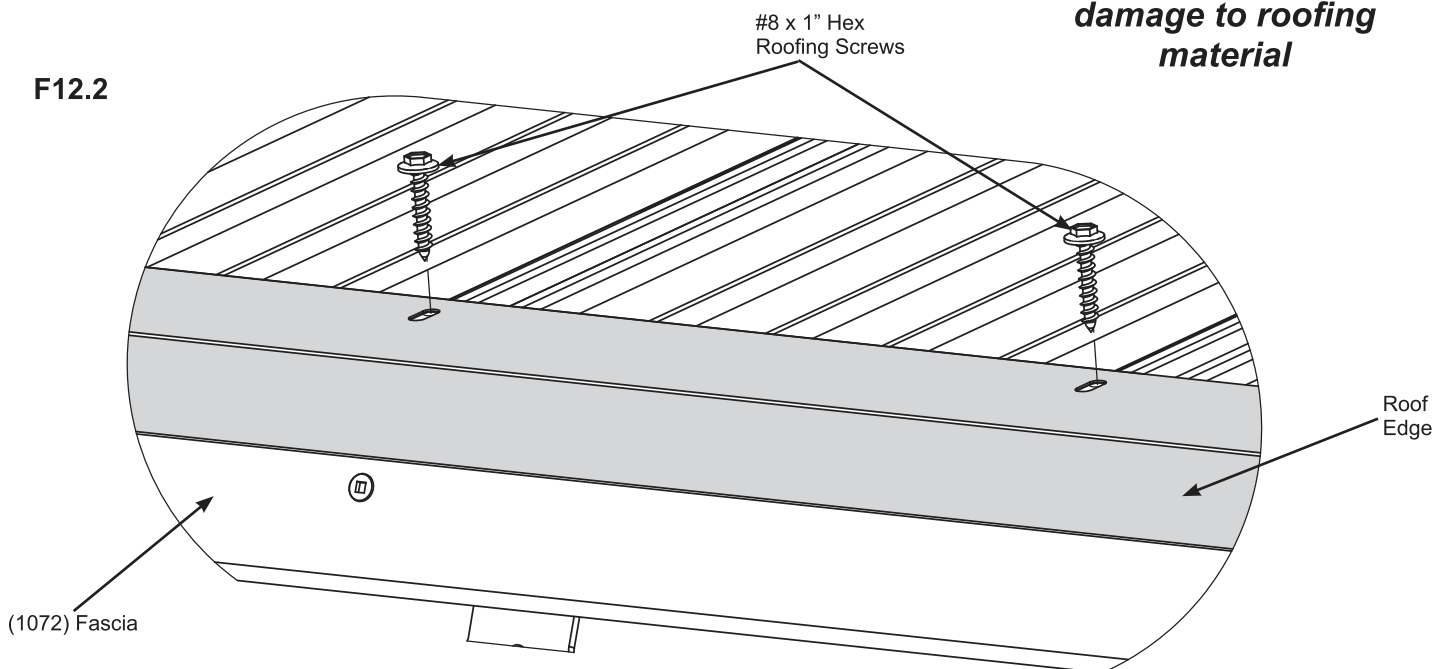
B: Repeat Step A for each Roof Panel Frame.

F12.1



DO NOT overtighten screws, could cause damage to roofing material

F12.2



Components:

8 x Roof Edge

Hardware

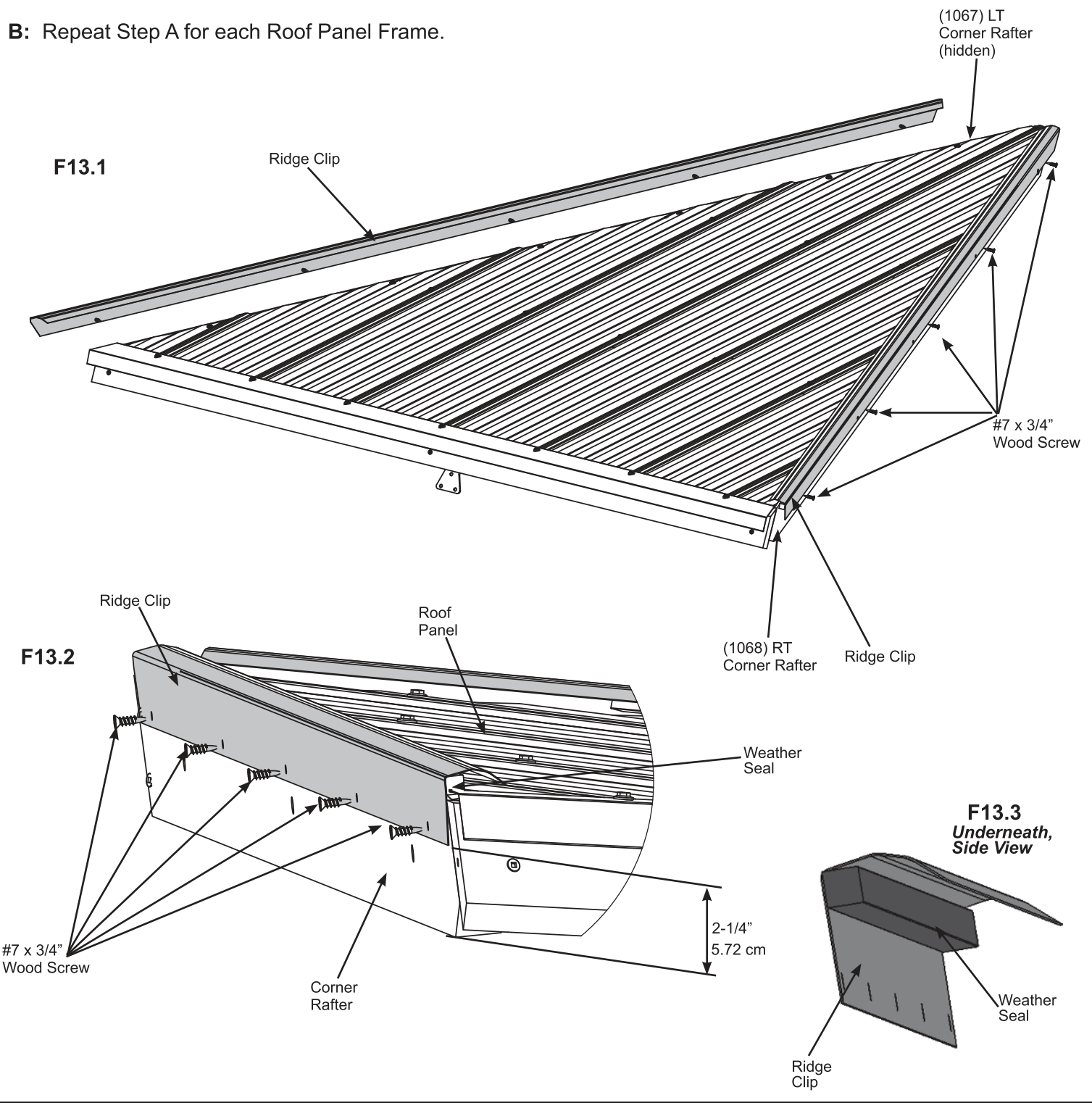
56 x #8 x 1" Roofing Screw

Step 13: Attach Ridge Clips



A: Place Weather Seal on the inside of two Ridge Clips then place one Ridge Clip flush to each side of Roof Panel Frame and 2-1/4" (5.72 cm) up from the bottom of (1067) LT Corner Rafter and (1068) RT Corner Rafter, make sure not to compress Weather Seal. Attach with five #7 x 3/4" Wood Screws per Ridge Clip. Ridge Clips must cover the Roof Panels. (F13.1, F13.2 and F13.3)

B: Repeat Step A for each Roof Panel Frame.



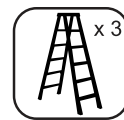
Components

- 16 x Ridge Clip
- 16 x Weather Seal

Hardware

- 80 x #7 x 3/4" Wood Screw

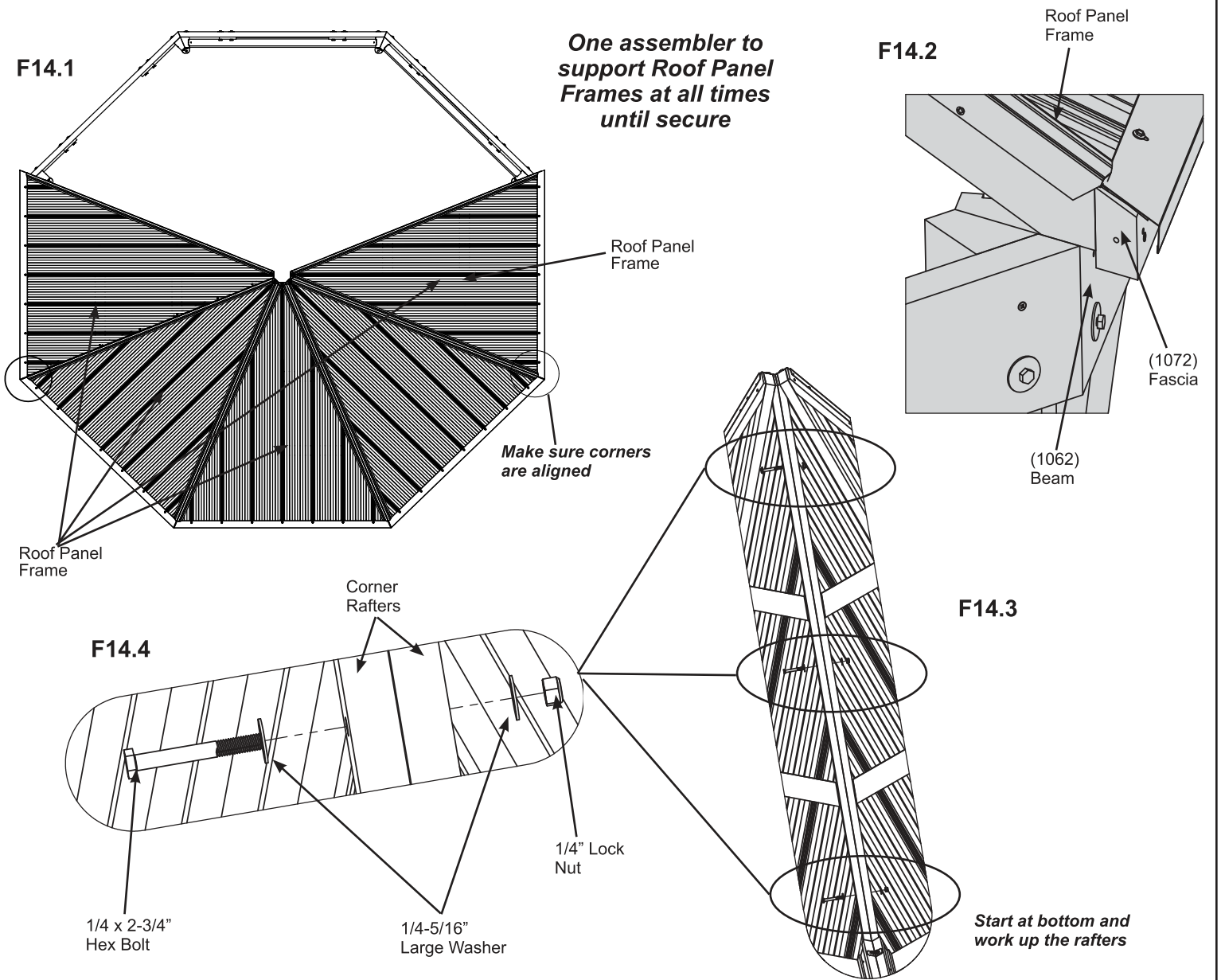
Step 14: Attach Roof Panels to Frame Part 1



A: Starting to the right of the opening in the frame assembly, with four assemblers lift two Roof Panel Frames with Rafter Beam Brackets up and over frame assembly taking care not to drag roof panels on beams. **One assembler must remain on a ladder to hold Roof Panel Frames in place until secured.** (F14.1 and F14.2)

B: Starting at the bottom and working up, loosely connect Roof Panel Frames through the Corner Rafters with three 1/4 x 2-3/4" Hex Bolts (with two 1/4-5/16" large washers and one 1/4" lock nut). To align bolt holes helper in the centre may have to push up the centre of the panels while other helpers make sure corners are aligned. (F14.3 and 14.4)

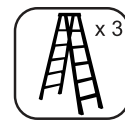
C: Attach three more Roof Panel Frames as done in Steps A and B.



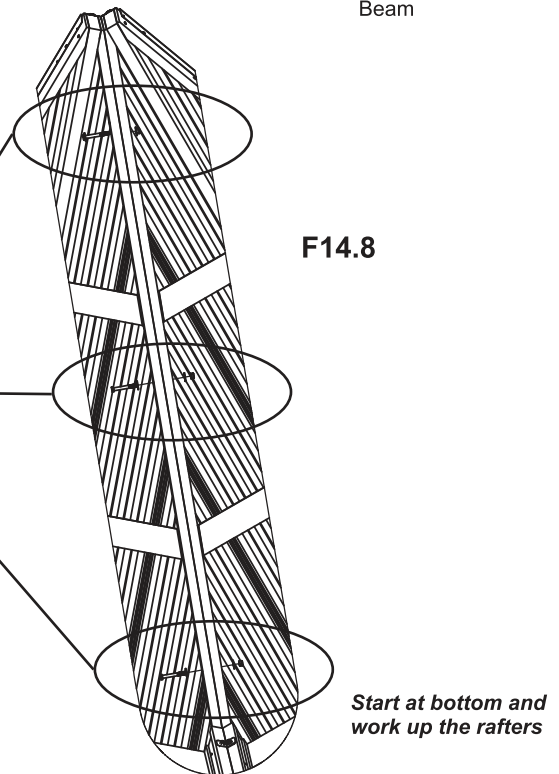
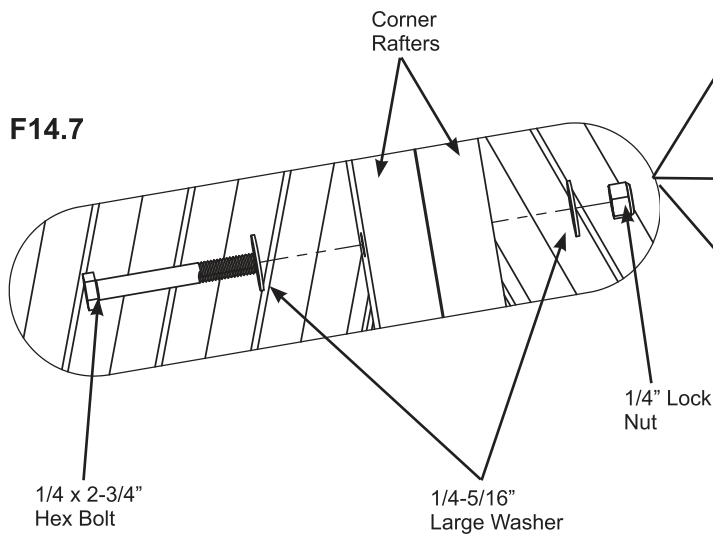
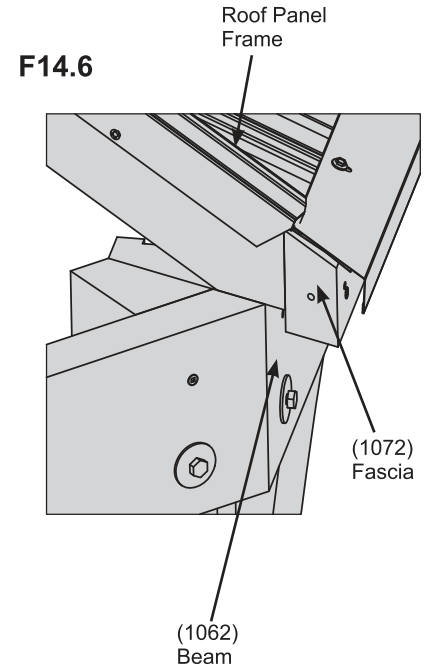
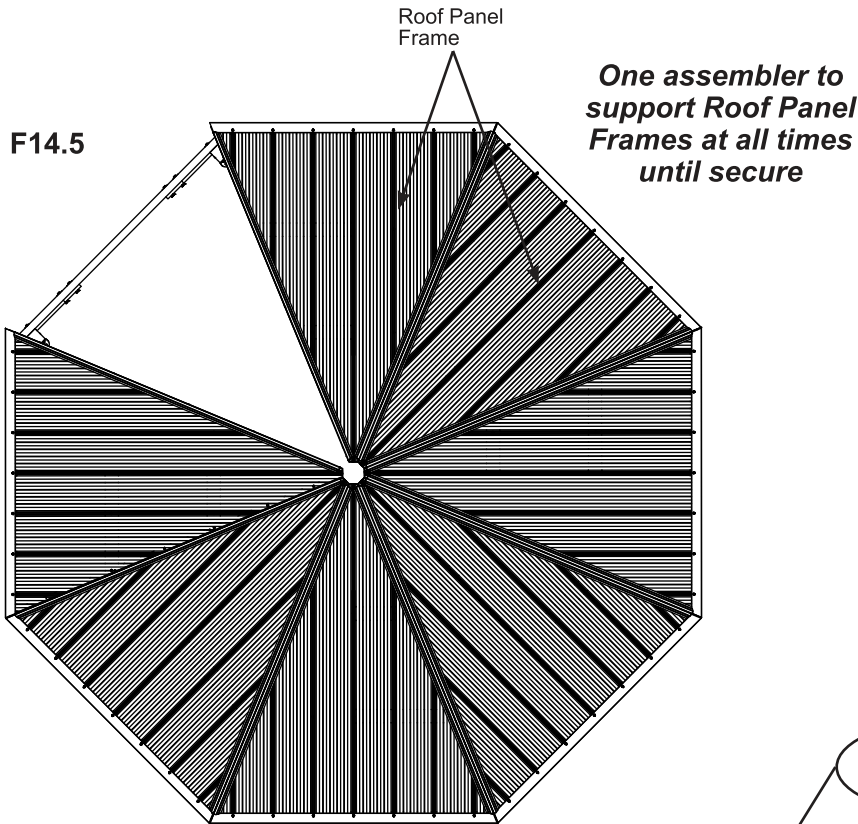
Hardware

12 x 1/4 x 2-3/4" Hex Bolt
(1/4-5/16" large washer x 2, 1/4" lock nut)

Step 14: Attach Roof Panels to Frame Part 2



D: Attach two remaining Roof Panel Frames with Rafter Beam Brackets up and over frame assembly, taking care not to drag roof panels on beams, and attach with three 1/4 x 2-3/4" Hex Bolts (with two 1/4-5/16" large washers and one 1/4" lock nut) per connecting rafters. To align bolt holes helper in the centre may have to push up the centre of the panels while other helpers make sure corners are aligned. (F14.5, F14.6, F14.7 and F14.8)



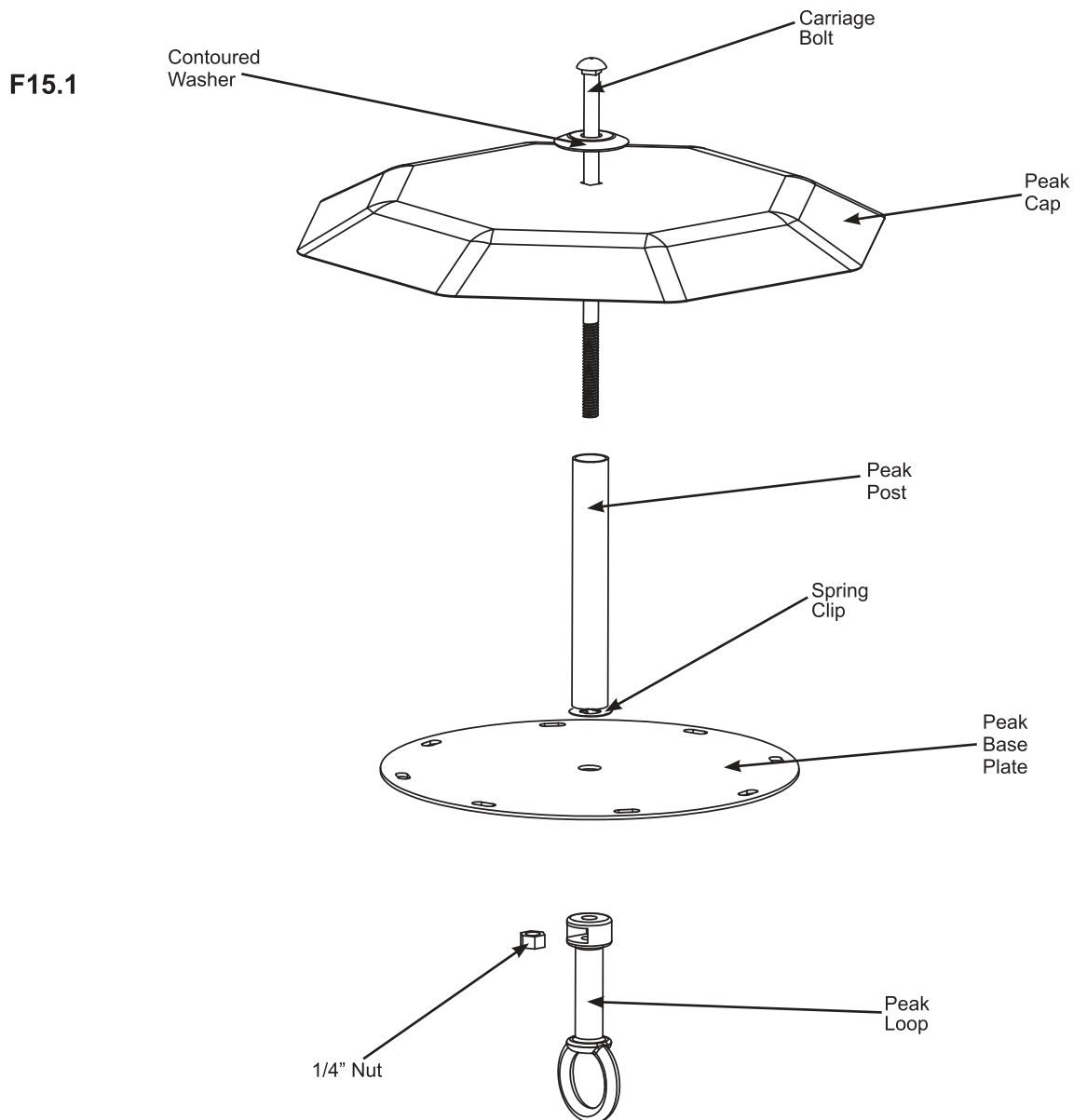
Hardware

6 x 1/4 x 2-3/4" Hex Bolt
(1/4-5/16" large washer x 2, 1/4" lock nut)

Step 15: Roof Cap Assembly

A: Insert one Carriage Bolt with Contoured Washer through the top of Peak Cap, into Peak Post. Attach Spring Clip to Peak Post. The Spring Clip holds the assembly together. (F15.1)

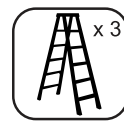
B: Insert one 1/4" Nut into the Peak Loop then insert Carriage Bolt into Peak Base Plate and attach Peak Loop to Carriage Bolt. Be careful nut is loose and will fall out until attached to Carriage Bolt. (F15.1)



Components:

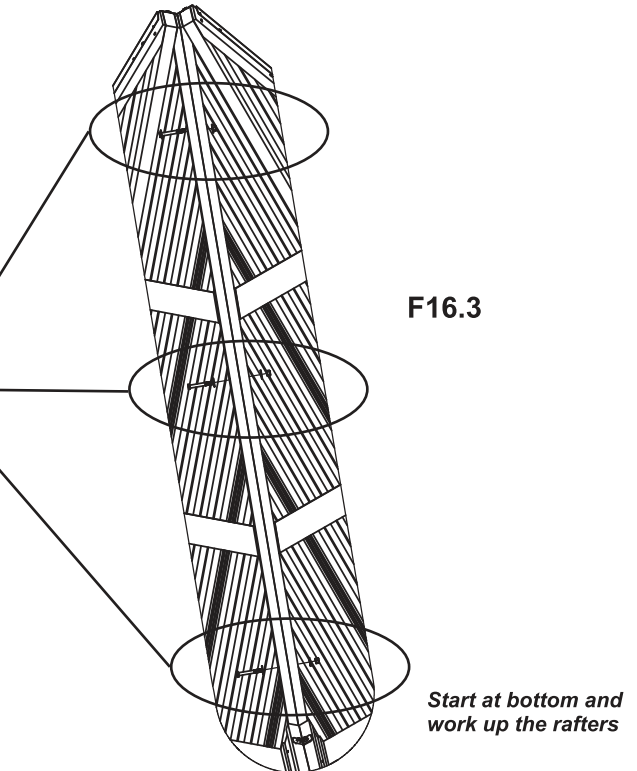
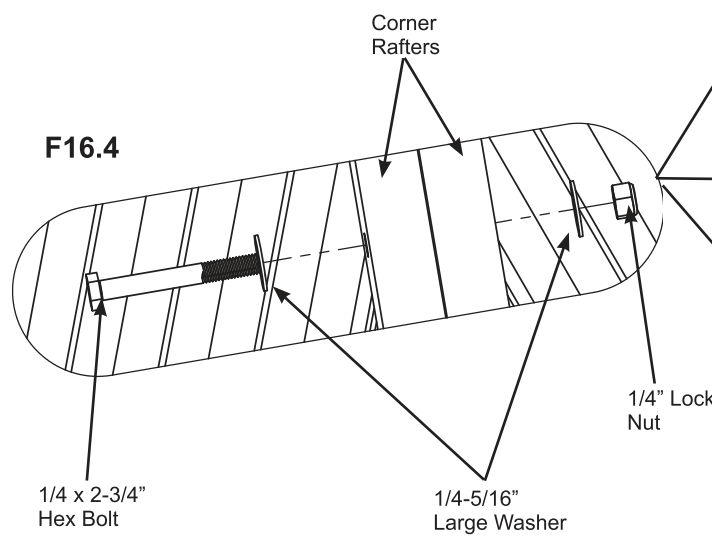
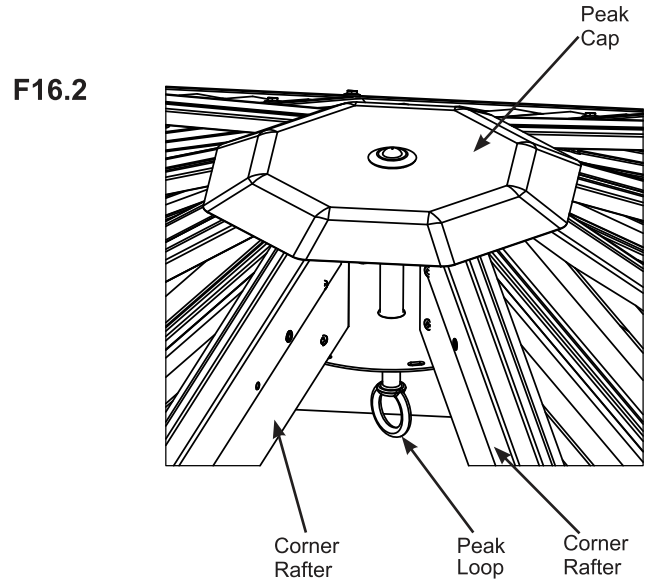
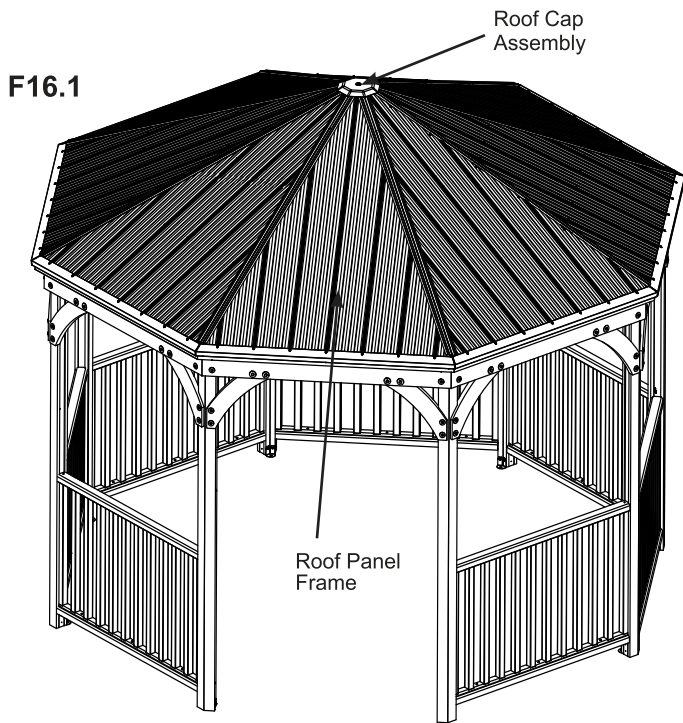
1 x Carriage Bolt	1 x Peak Loop
1 x Contoured Washer	1 x Spring Clip
1 x Peak Cap	1 x 1/4" Nut
1 x Peak Post	
1 x Peak Base Plate	

Step 16: Attach Roof Cap and Final Roof Panel



A: Place Roof Cap Assembly in gap at the top of the Roof Panels. Peak Cap to be lined up with Corner Rafters. (F16.1 and F16.2)

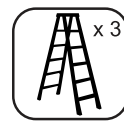
B: Lift last Roof Panel Frame (without Rafter Beam Brackets) over assembly taking care not to drag the panel on the beams. Panel fits under the Peak Cap, push up on Peak Loop to lift Peak Cap Assembly. The centre of the other panels may have to be pushed up to fit last panel. Starting at the bottom and working up loosely connect Roof Panels through the Corner Rafters with three 1/4 x 2-3/4" Hex Bolts (with two 1/4-5/16" large washers and one 1/4" lock nut) per side. (F16.1, F16.3 and F16.4)



Hardware

6 x 1/4 x 2-3/4" Hex Bolt
(1/4-5/16" large washer x 2, 1/4" lock nut)

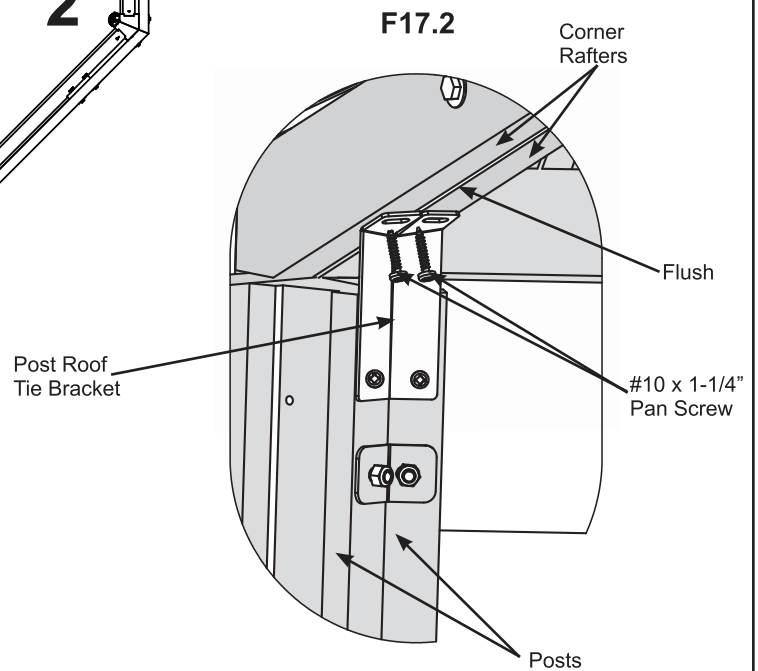
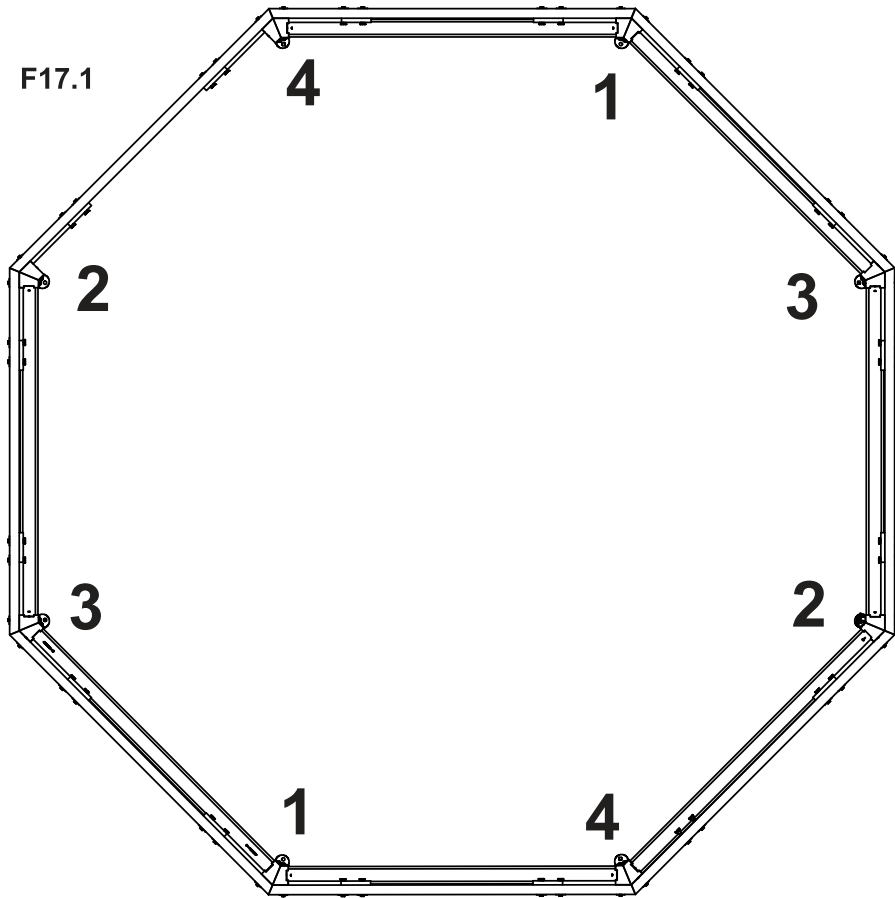
Step 17: Tighten Rafter Bolts



A: Follow the sequence in F17.1 to tighten the bottom bolts. While tightening bolts have a helper push up the centre of the roof. The helper on the outside of the frame makes sure corners are aligned. (F17.1)

B: Tighten remaining bolts, keeping Corner Rafter flush at the bottom.

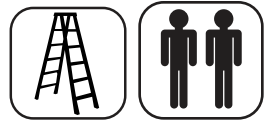
C: Align Roof to Post Roof Tie Bracket and fasten to Corner Rafters with two #10 x 1-1/4" Pan Screws per bracket. (F17.2)



Hardware

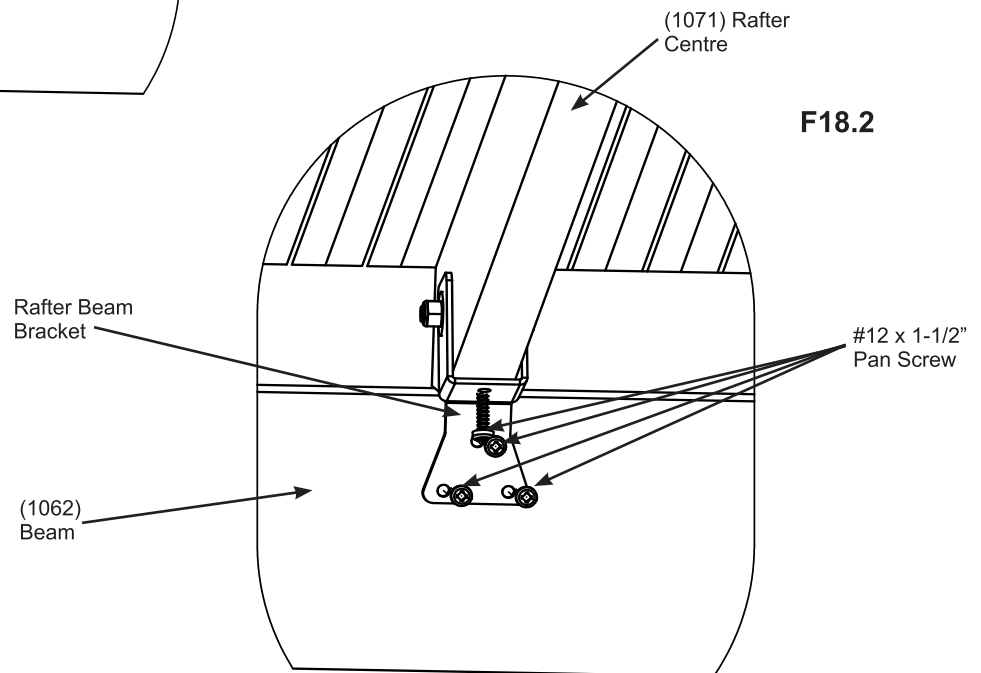
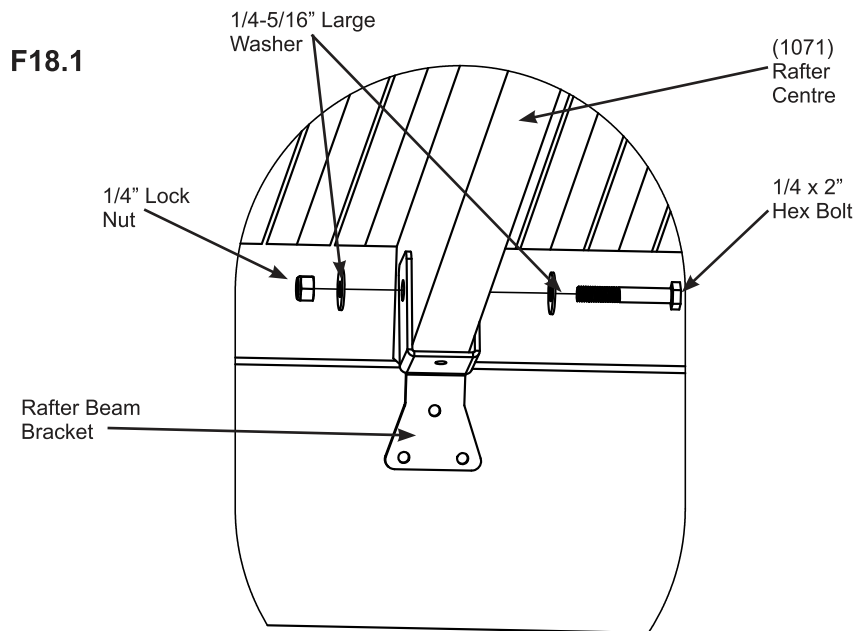
16 x #10 x 1-1/4" Pan Screw

Step 18: Attach Rafter Beam Bracket



A: On the final Roof Panel Frame attach one Rafter Beam Bracket on (1071) Rafter Centre with one 1/4 x 2" Hex Bolt (with two 1/4-5/16" large washers and one 1/4" lock nut). (F18.1)

B: Attach each Rafter Beam Bracket to (1062) Beams and (1071) Rafter Centres with four #12 x 1-1/2" Pan Screws per bracket. (F18.2)



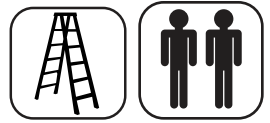
Components:

1 x Rafter Beam Bracket

Hardware

1 x 1/4 x 2" Hex Bolt
(1/4-5/16" large washer x 2, 1/4" lock nut)
32 x #12 x 1-1/2" Pan Screw

Step 19: Secure Roof Panels

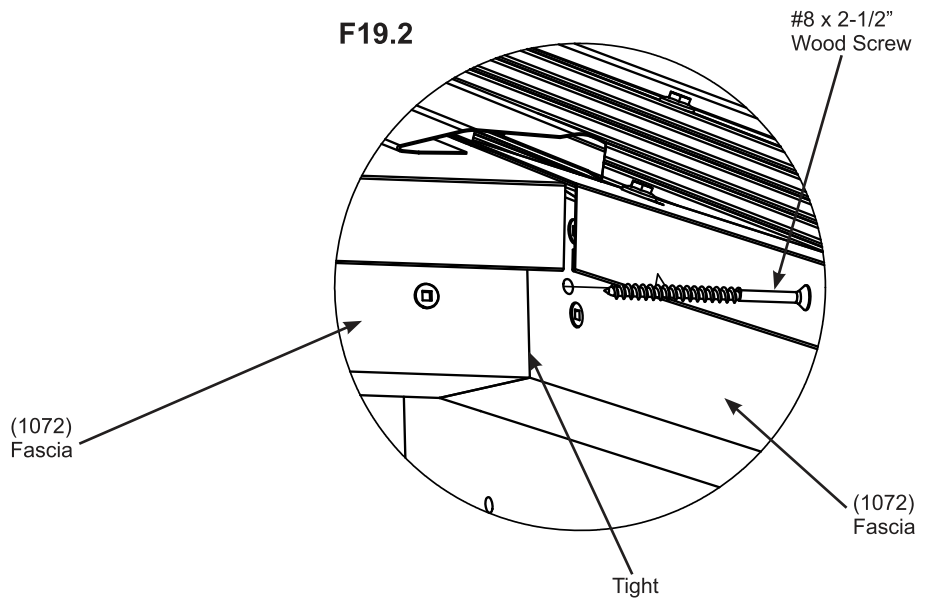


A: Where each Roof Panel Frame meet attach panels together through (1072) Fascia with one #8 x 2-1/2" Wood Screw per corner. A helper may need to lift the centre of Roof Panels to bring the corners tight together. (F19.1 and F19.2)

F19.1



F19.2



Hardware

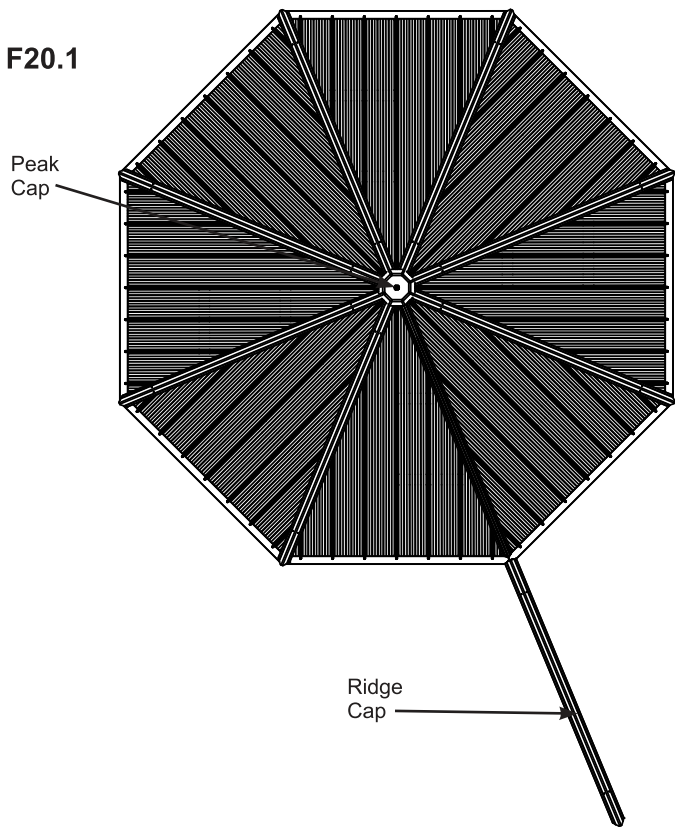
8 x #8 x 2-1/2" Wood Screw

Step 20: Attach Ridge Caps

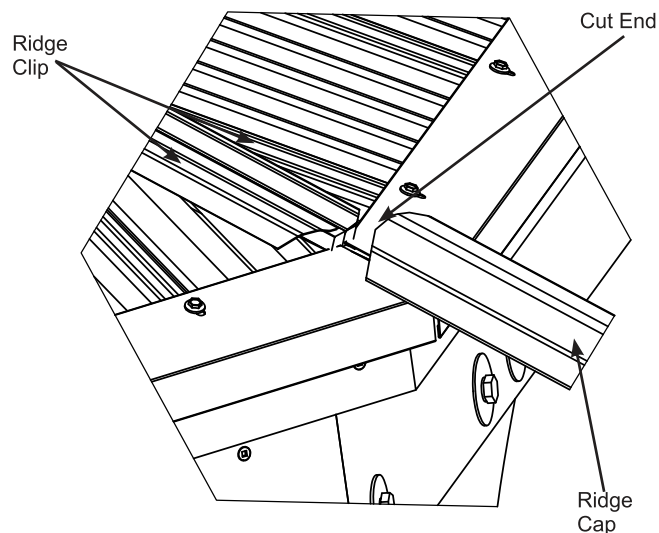


A: Slide each Ridge Cap over the Ridge Clips, with cut edge leading, towards the centre of the roof until they are under the Peak Cap, lifting Peak Cap by pushing up the Peak Loop so Ridge Cap fit under Peak Cap. Attach each Ridge Cap using two #8 x 3/4" Sheet Metal Screws per Ridge Cap. (F20.1, F20.2 and F20.3)

F20.1

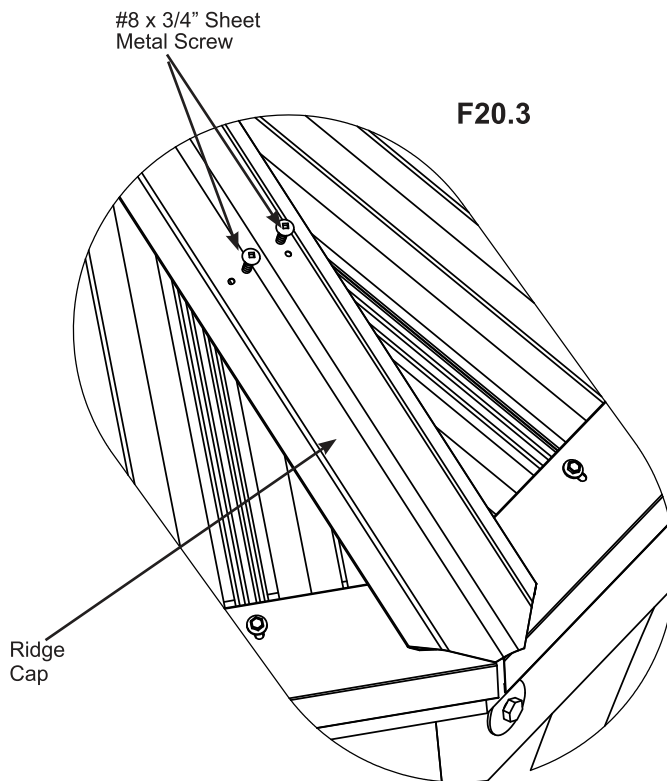


F20.2



#8 x 3/4" Sheet Metal Screw

F20.3



Note: To help Ridge Cap slide on easier use a lubricant such as liquid soap.

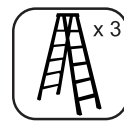
Components:

8 x Ridge Cap

Hardware

16 x #8 x 3/4" Sheet Metal Screw

Step 21: Attach Corner Caps

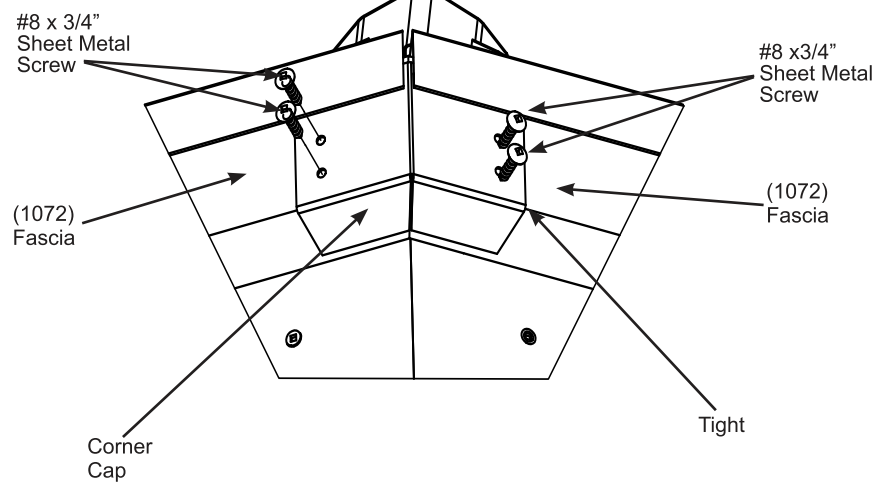


A: At each corner place one Corner Cap tight to (1072) Fascia, push up so the bottom is tight to the bottom of the assemblies then attach with four #8 x 3/4" Sheet Metal Screws per Corner Cap. (F21.1 and F21.2)

F21.1



F21.2



Components:

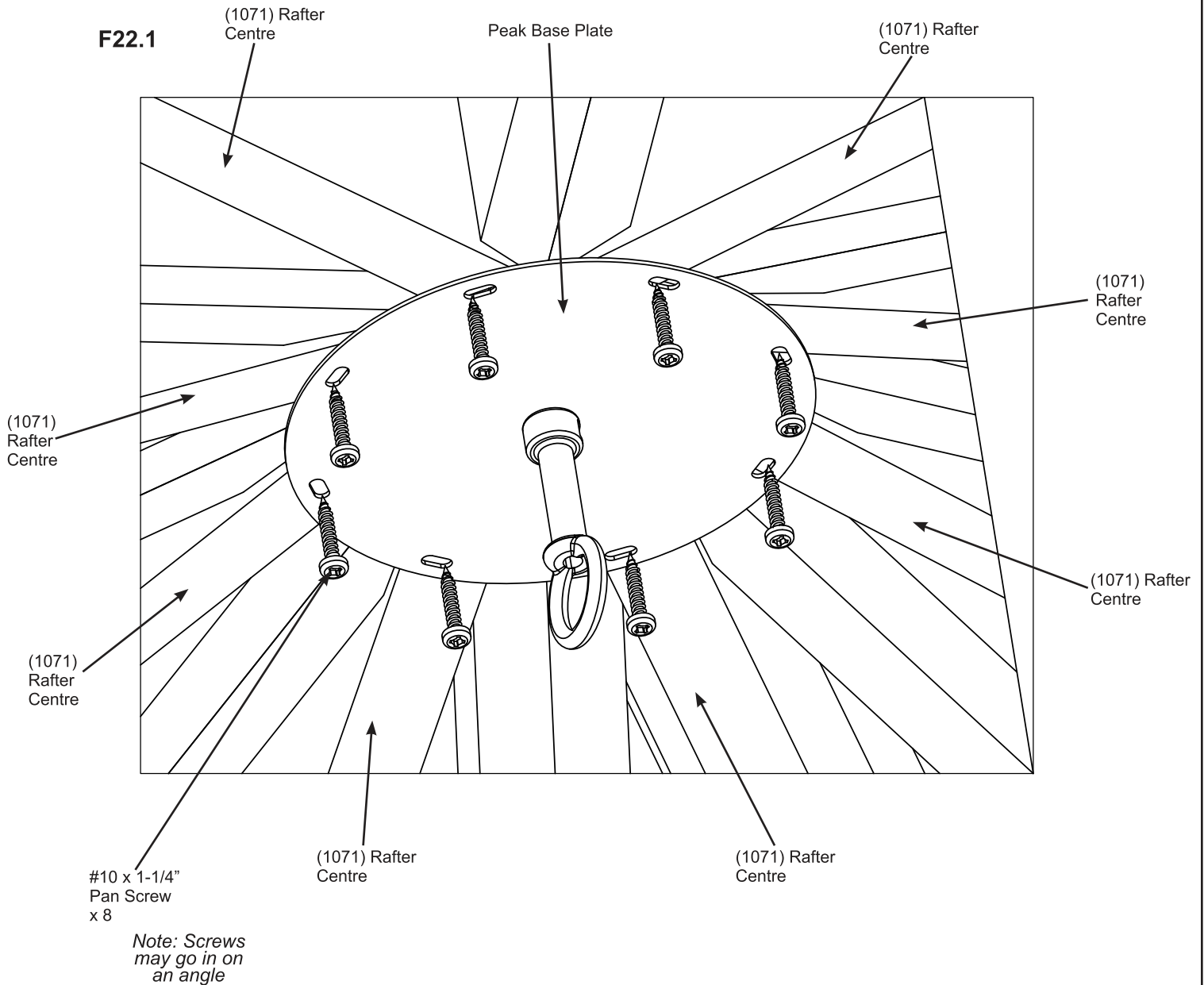
8 x Corner Cap

Hardware

32 x #8 x 3/4" Sheet Metal Screw

Step 22: Secure Peak Base Plate

A: Attach Peak Base Plate to each (1071) Rafter Centre with eight #10 x 1-1/4" Pan Screws. To ensure Peak Base Plate is flat install screws in a criss-cross sequence. Screws may go in on an angle. (F22.1)



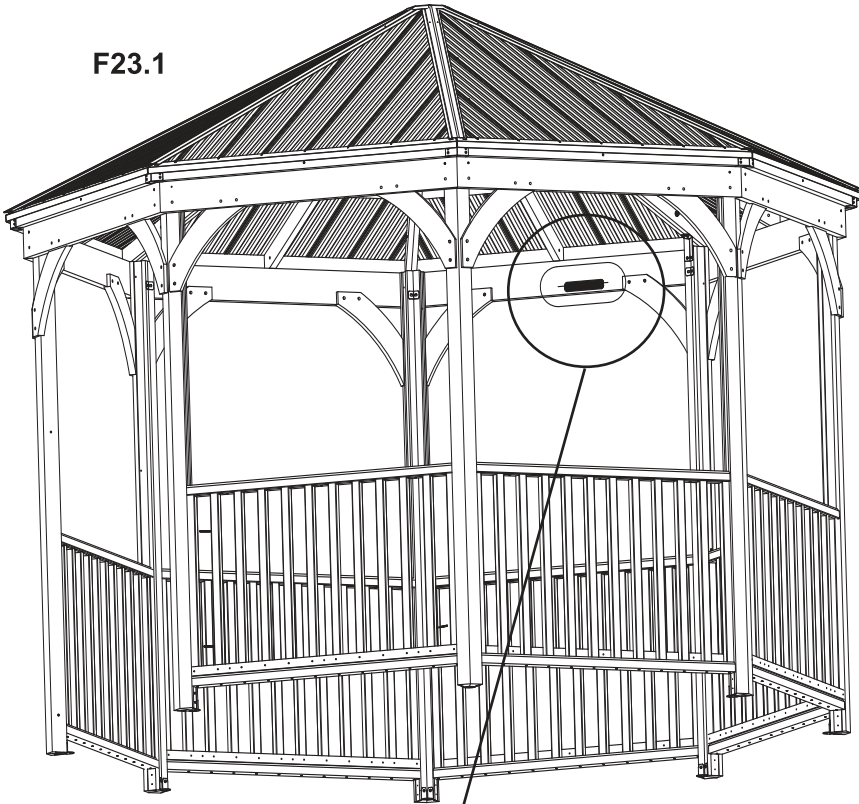
Hardware

8 x #10 x 1-1/4" Pan Screw

Step 23: Attach Plaque

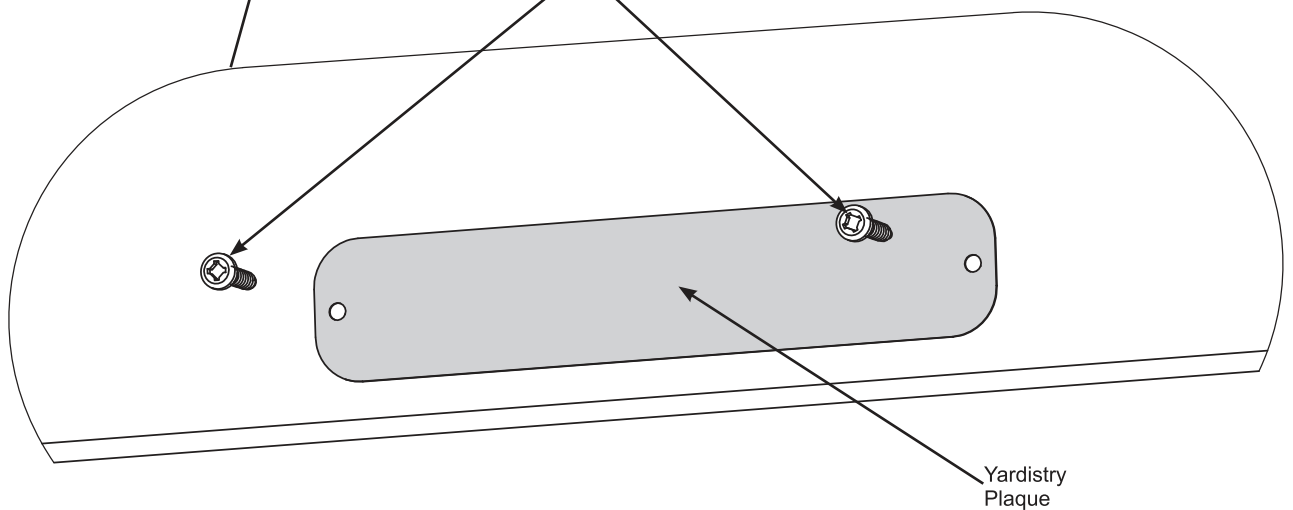
A: Attach Yardistry Plaque to a prominent location on your Gazebo with two #10 x 1-1/4" Pan Screws. This provides warnings concerning safety and important contact information. A tracking number is provided to allow you to get critical information or order replacement parts for this specific model. (F23.1 and F23.2)

F23.1



#10 x 1-1/4"
Pan Screw

F23.2



Yardistry
Plaque

Components:

1 x Yardistry Plaque

Hardware

2 x #10 x 1-1/4" Pan Screw



Customer Registration Card - Tarjeta de Registro del Cliente - Carte d'inscription du client

First Name - Primer Nombre - Prénom	Initial - Inicial - Initiale	Last Name - Apellido - Nom de famille

Street - Calle - Rue	PO Box - Casilla postal - Boîte postale	Apt. No. - App.

City - Ciudad - Ville	State/Province - Estado/Provincia - État/Province

ZIP/Postal Code - Código Postal - ZIP/Code postal	Country - País - Pays

E-mail Address - Dirección de E-mail - Adresse courriel	Telephone Number - No. de Teléfono - N° de téléphone

Model Name - Nombre del Modelo - Nom du modèle	Model Number (from front cover) - Número de Modelo (de la portada) - N° du modèle (page de couverture)

Date of Purchase - Fecha de Compra - Date d'achat (mm/dd/yyyy) (mm/dd/aaaa) (mm/jj/aaaa)	Place of Purchase - Comprado a - Lieu d'achat

Comments - Comentarios - Commentaires:

Mail To - Enviar por Correo a - Envoyer par courrier à:

Yardistry
375 Sligo Road West, PO Box 10
Mount Forest, Ontario, Canada, N0G 2L0
Attention: Consumer Relations
Atención a: Servicio de Atención al Cliente
À l'attention de: Service à la clientèle

Online Registration - Registro online - Enregistrement en ligne:

www.yardistrystructures.com/warranty

Yardistry would like to say "Thank you" for your time and feedback.
Yardistry quiere "Agradecerle" por su tiempo y su opinión.
Yardistry aimerait vous remercier d'avoir pris le temps de répondre au sondage.