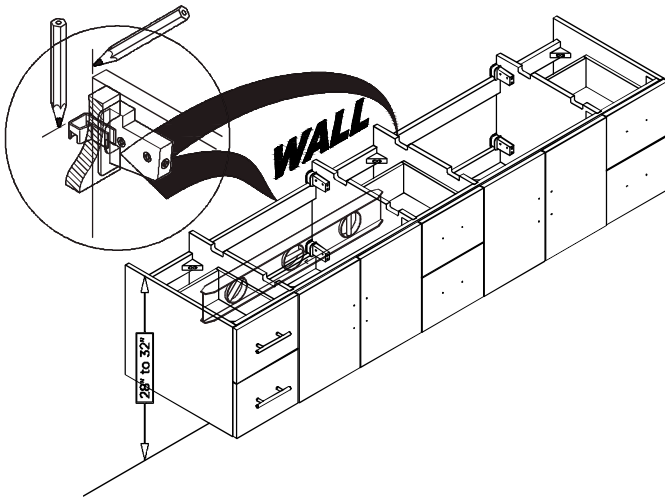
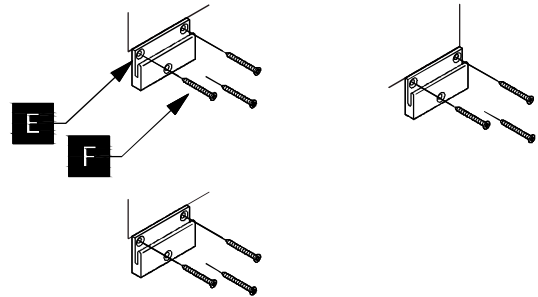
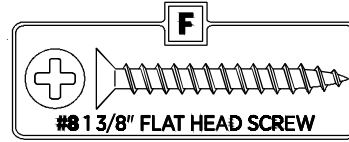




1 Place cabinet (D) in the designated location and mark bracket position on the wall.

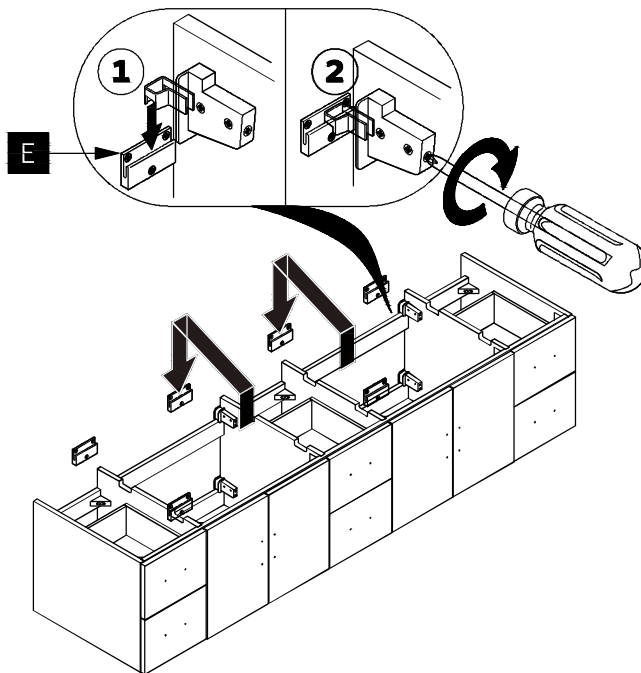


2 Attach the wall brackets (E) to the wall with the screws (F).

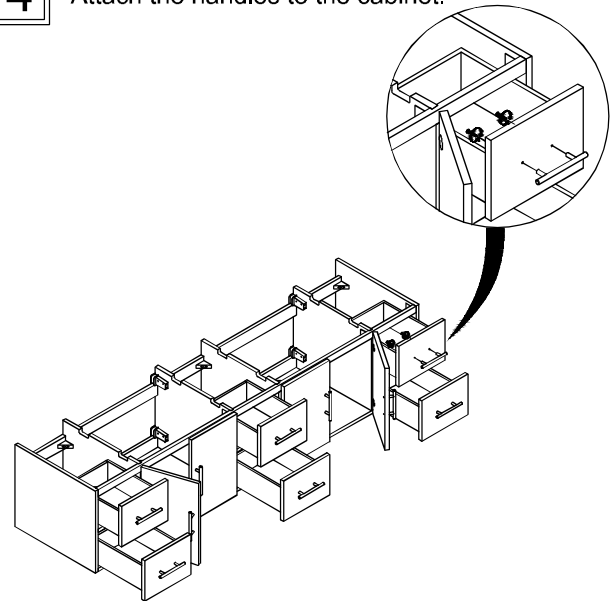


IMPORTANT: Consult an expert for the proper screws/bolts to use when attaching to various constructions. Screws provided do not attach to all wall construction types. Anchors are not required if brackets are installed in stud.

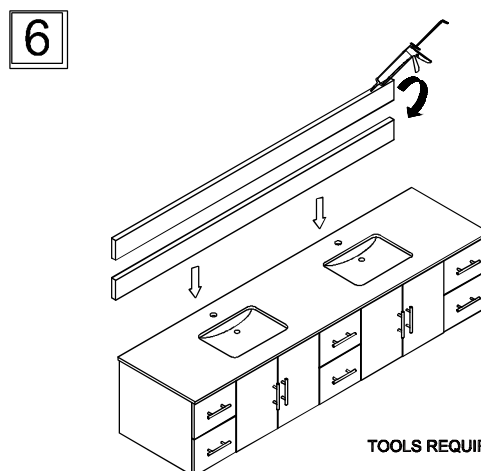
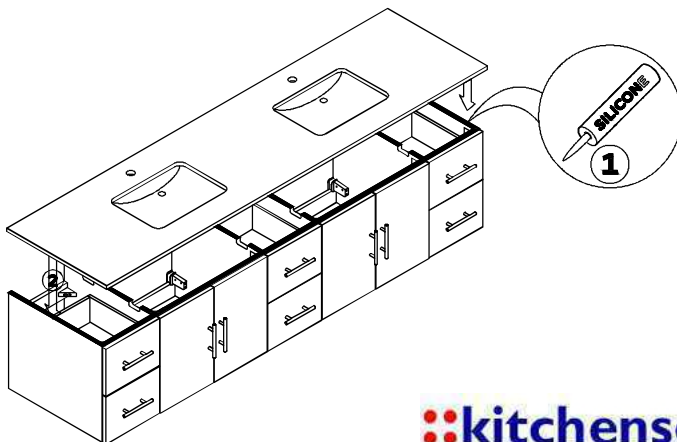
3 Apply a bead of silicone and hang the cabinet (D) on the brackets.



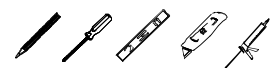
4 Attach the handles to the cabinet.



5 Put a bead of silicone on the top of the cabinet (G) then place sink (H) on the top of it.

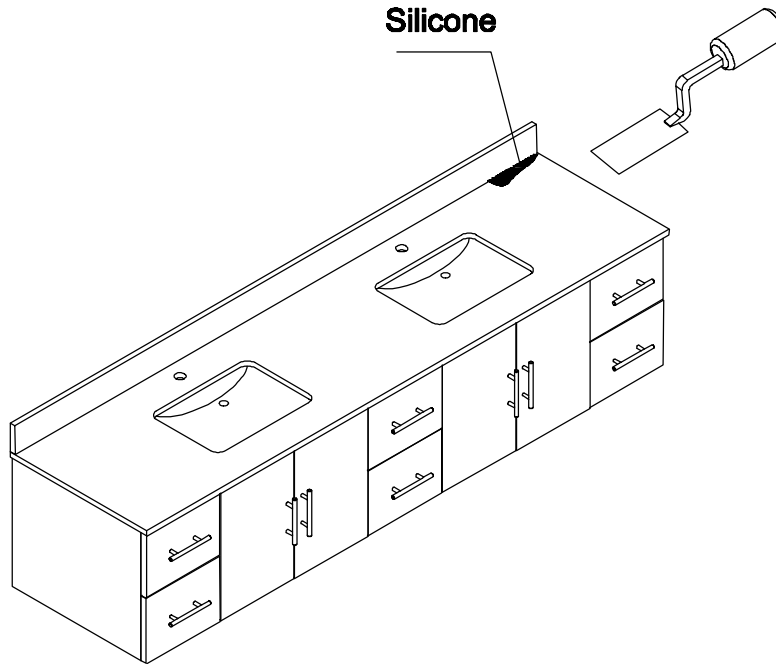


TOOLS REQUIRED (not supplied)



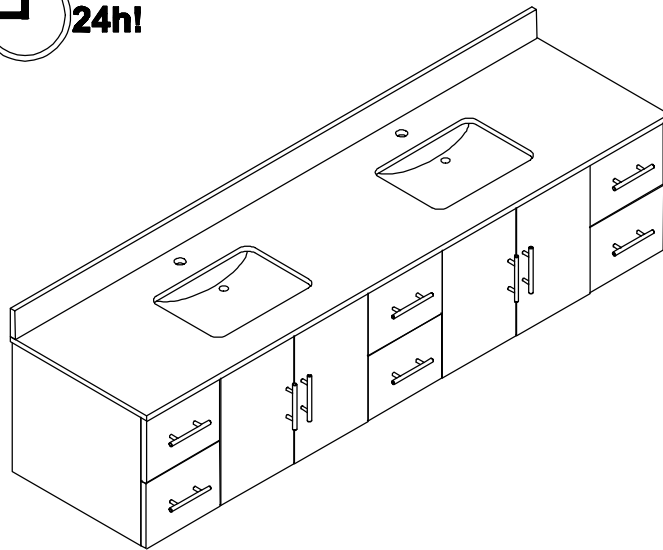
7

Silicone



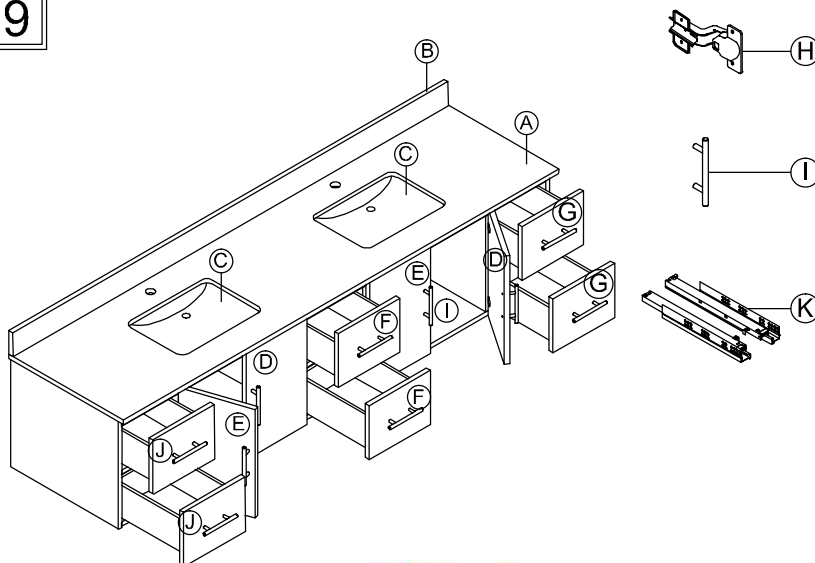
INSTALLATION

8



INSTALLATION

9

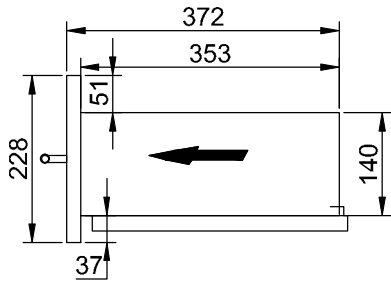


PART#	DESCRIPTION	QUANTITY
A	Countertop	1
B	Backsplash	1
C	Basin	2
D	Door (left)	2
E	Door (right)	2
F	Drawer (middle)	2
G	Drawer (right)	2
J	Drawer (left)	2
H	Hinge (door)	8
I	handle	10
K	Drawer glides	6

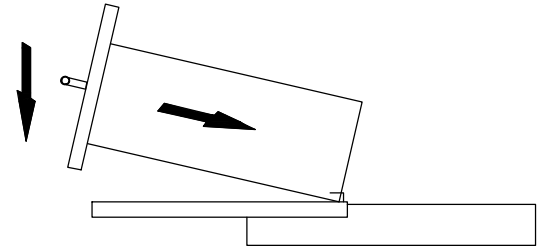
REMOVE

INSTALL

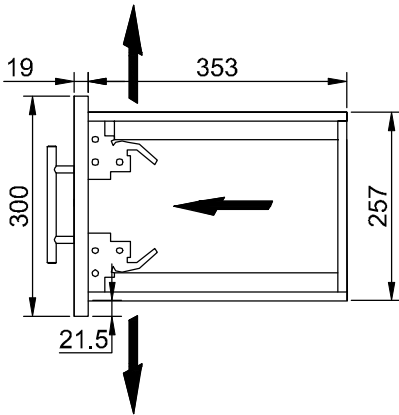
1



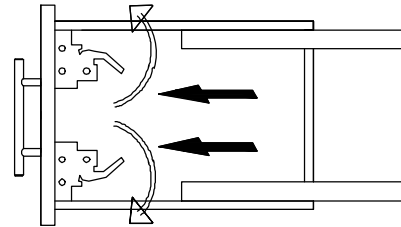
1



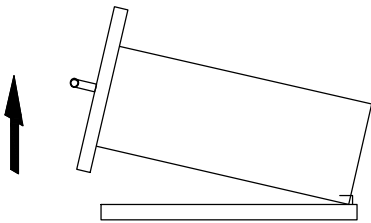
2



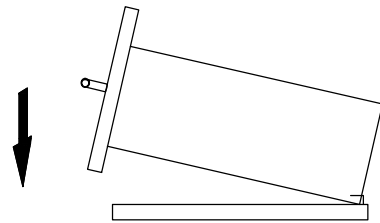
2



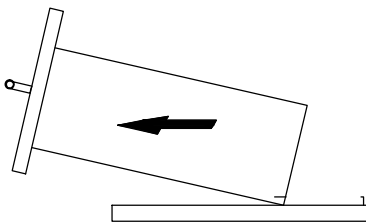
3



3



4



4

