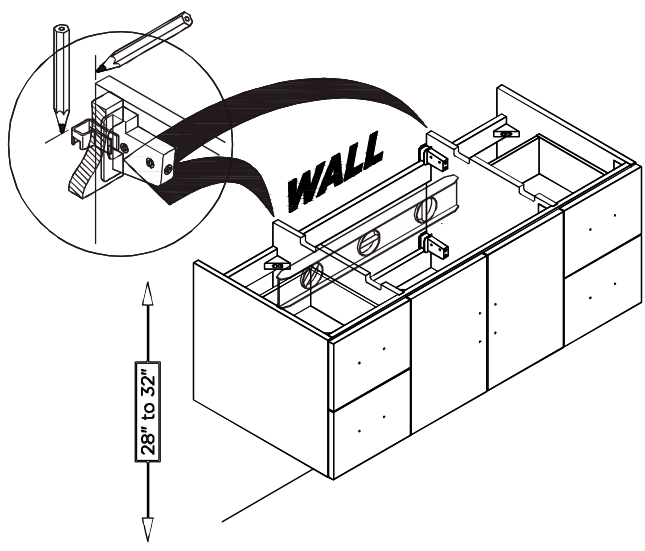
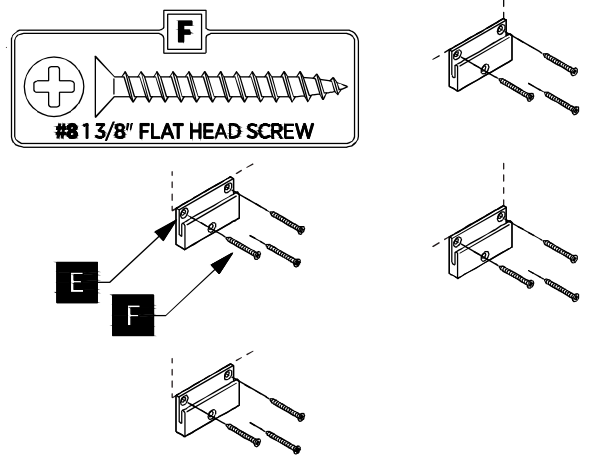


LEXORA®  
HOME DECOR & HOME FURNISHINGS

**1** Place cabinet (D) in the designated location and mark bracket position on the wall.

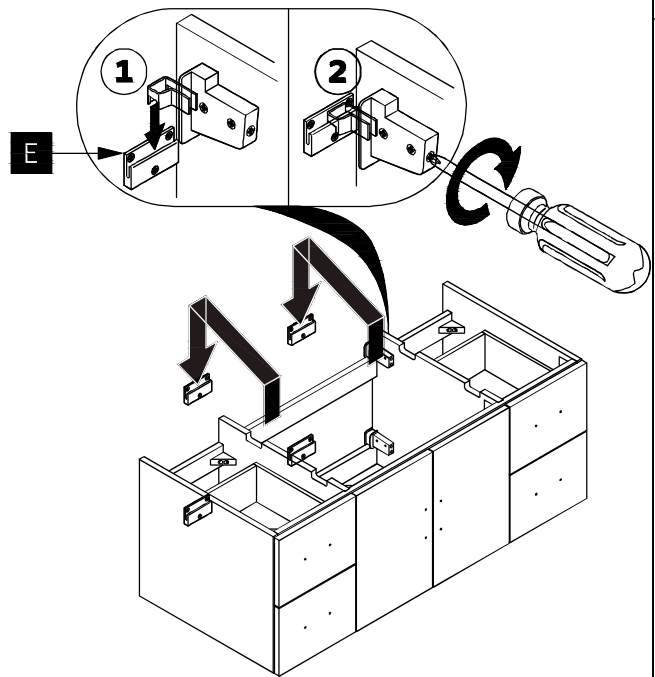


**2** Attach the wall brackets (E) to the wall with the screws (F).

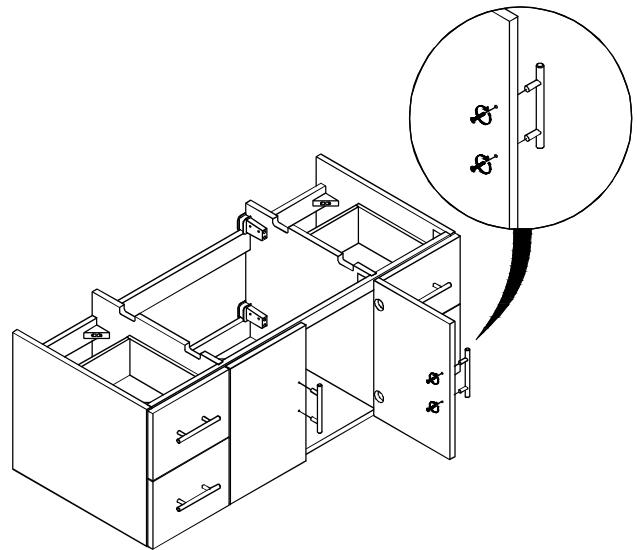


**IMPORTANT:** Consult an expert for the proper screws/bolts to use when attaching to various constructions. Screws provided do not attach to all wall construction types. Anchors are not required if brackets are installed in stud.

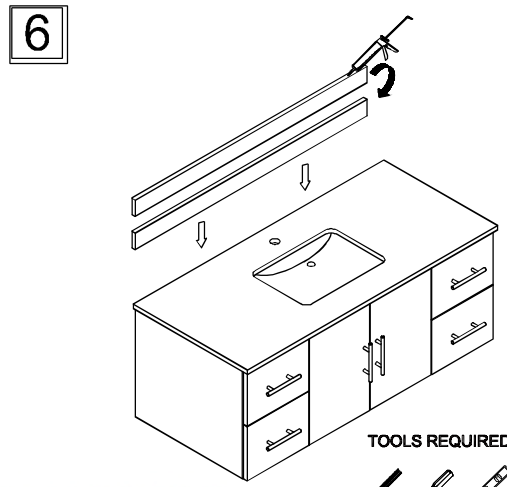
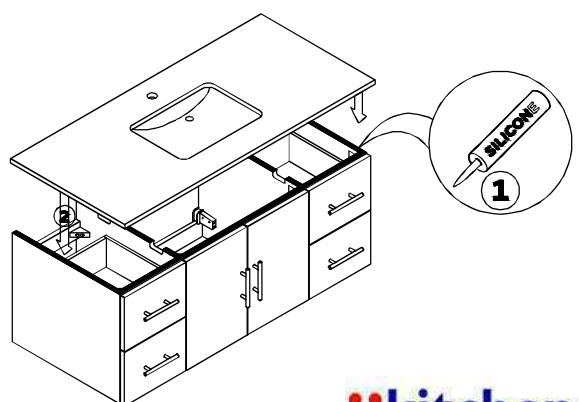
**3** Apply a bead of silicone and hang the cabinet (D) on the brackets.



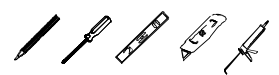
**4** Attach the handles to the cabinet.



**5** Put a bead of silicone on the top of the cabinet (G) then place sink (H) on the top of it.

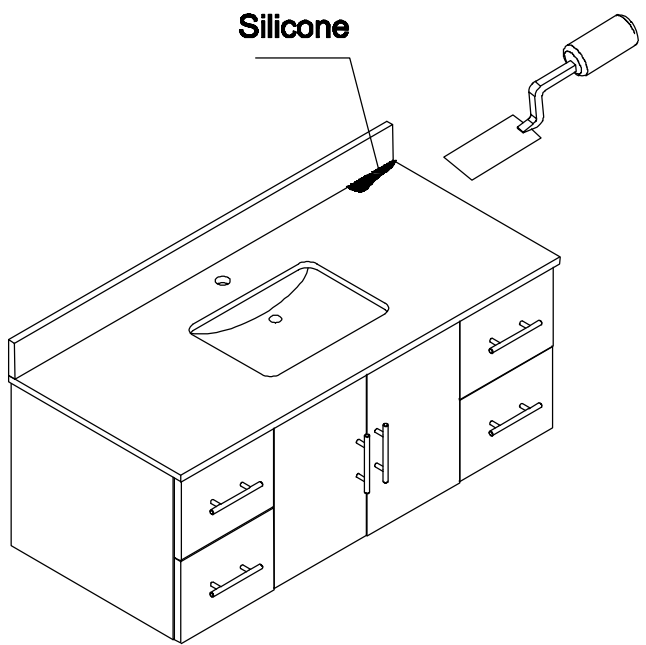


TOOLS REQUIRED (not supplied)



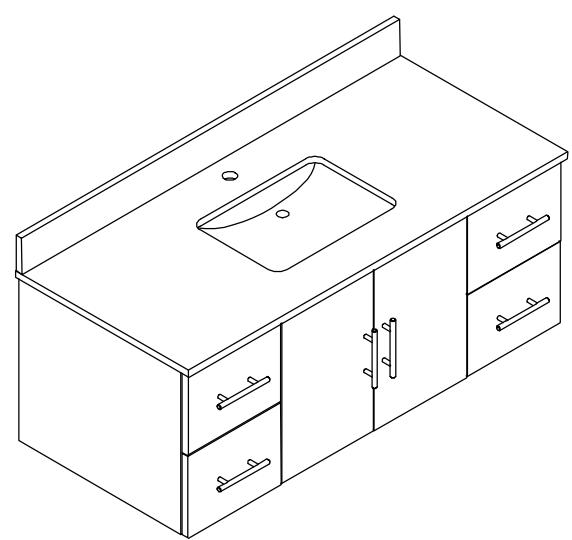
7

Silicone



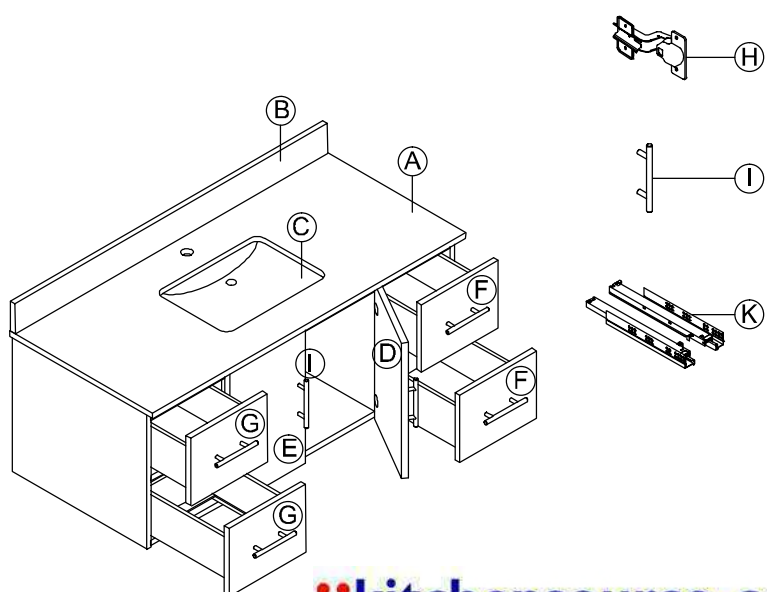
INSTALLATION

8



INSTALLATION

9

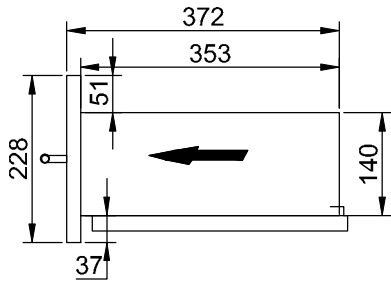


PART#	DESCRIPTION	QUANTITY
A	Countertop	1
B	Backsplash	1
C	Basin	1
D	Door (right)	1
E	Door (left)	1
F	Drawer	4
H	Hinge (door)	4
I	handle	6
K	Drawer glides	4

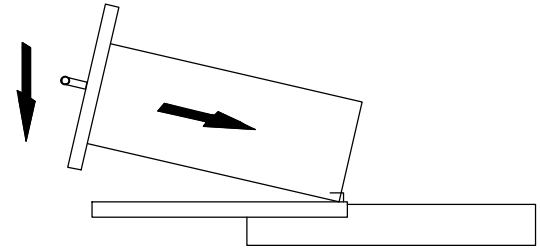
REMOVE

INSTALL

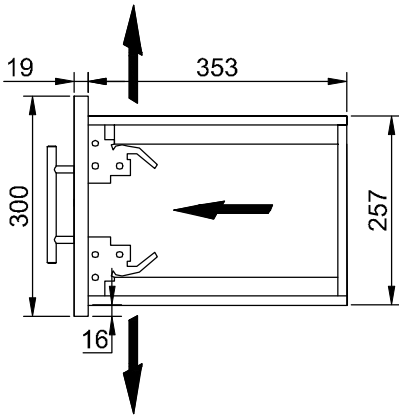
1



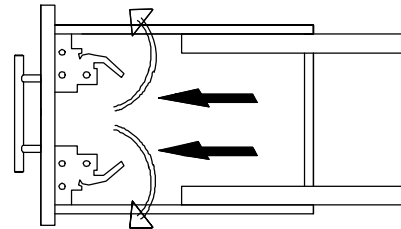
1



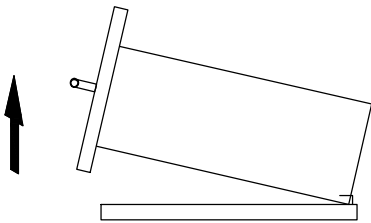
2



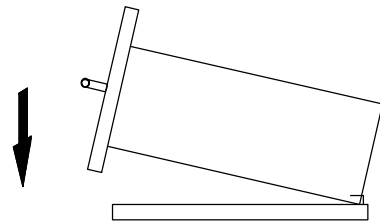
2



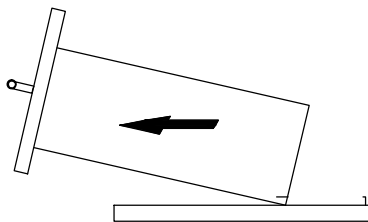
3



3



4



4

