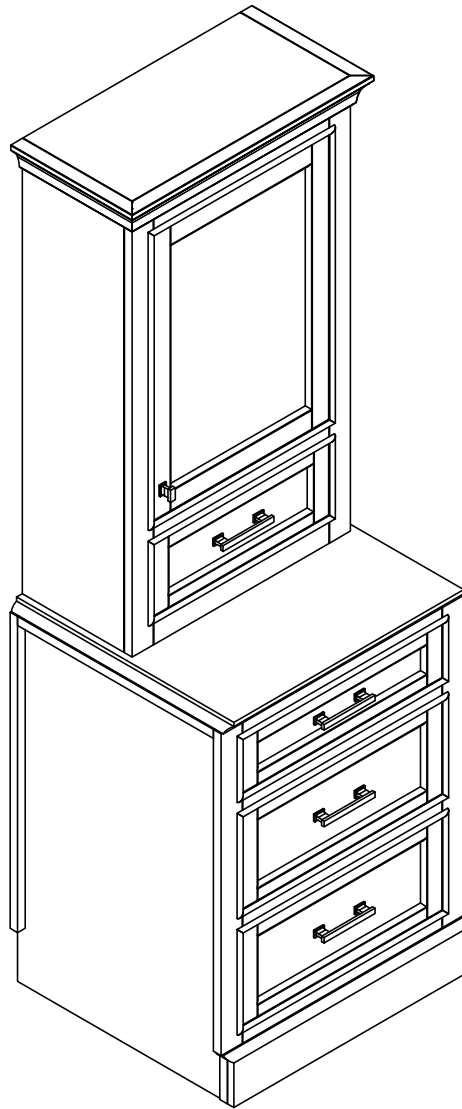


Assembly Instructions



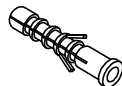
Hardware



(H1) x 2



(H2) x 4



(H3) x 2



(H4) x 2



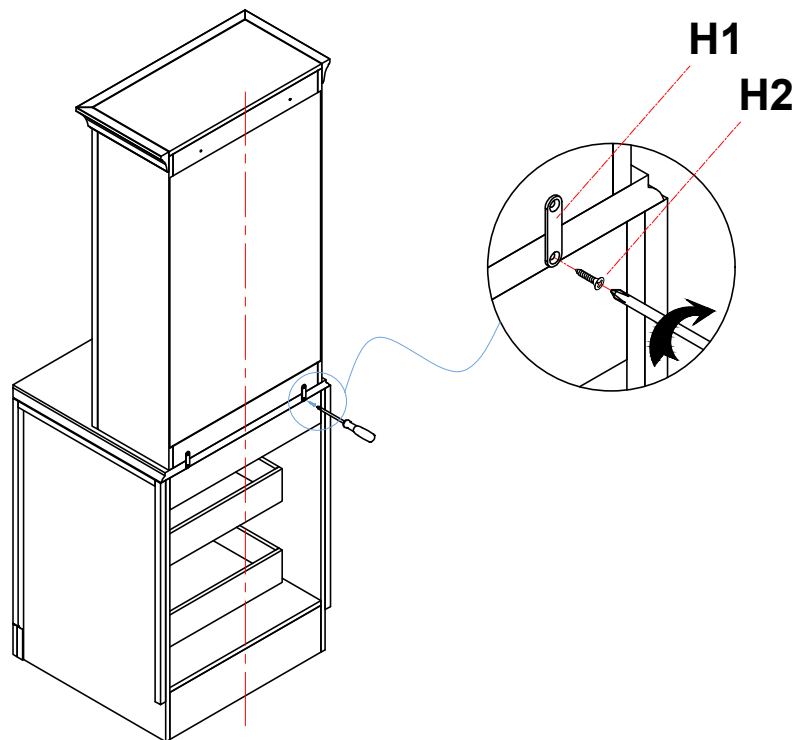
(H5) x 2



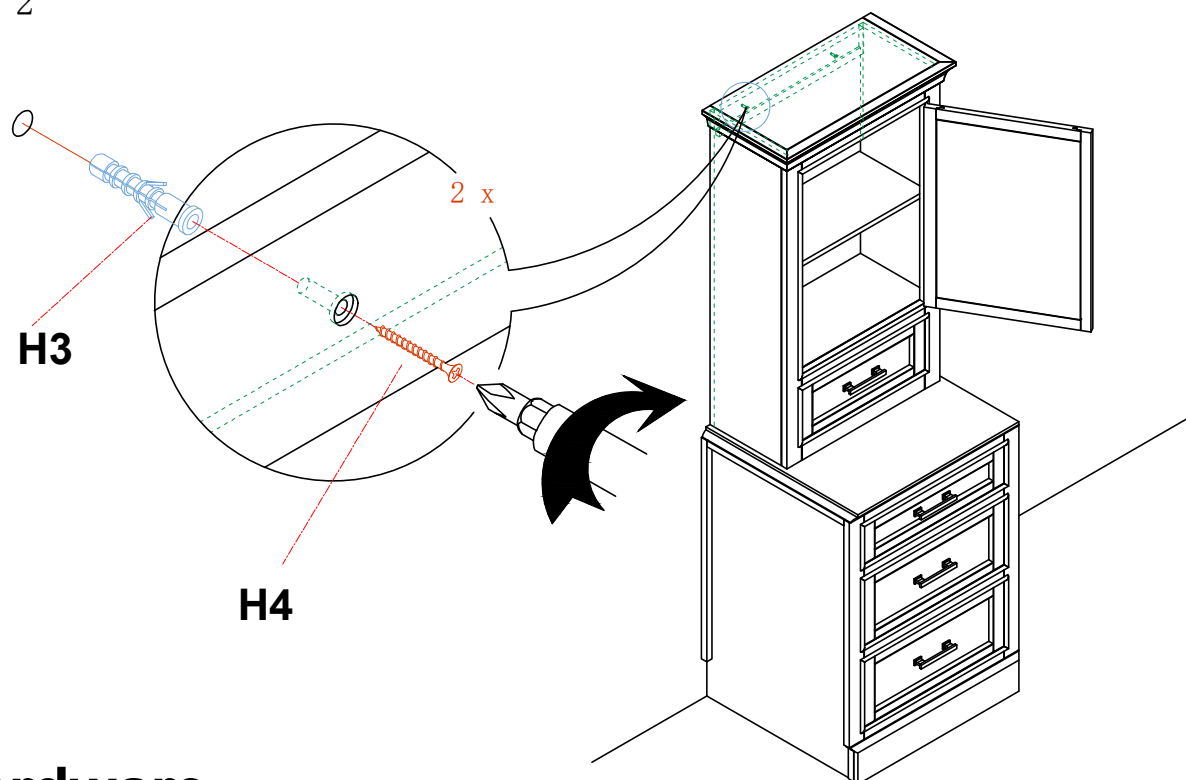
(H6) x 4

Assembly Instructions

Step 1



Step 2



Hardware



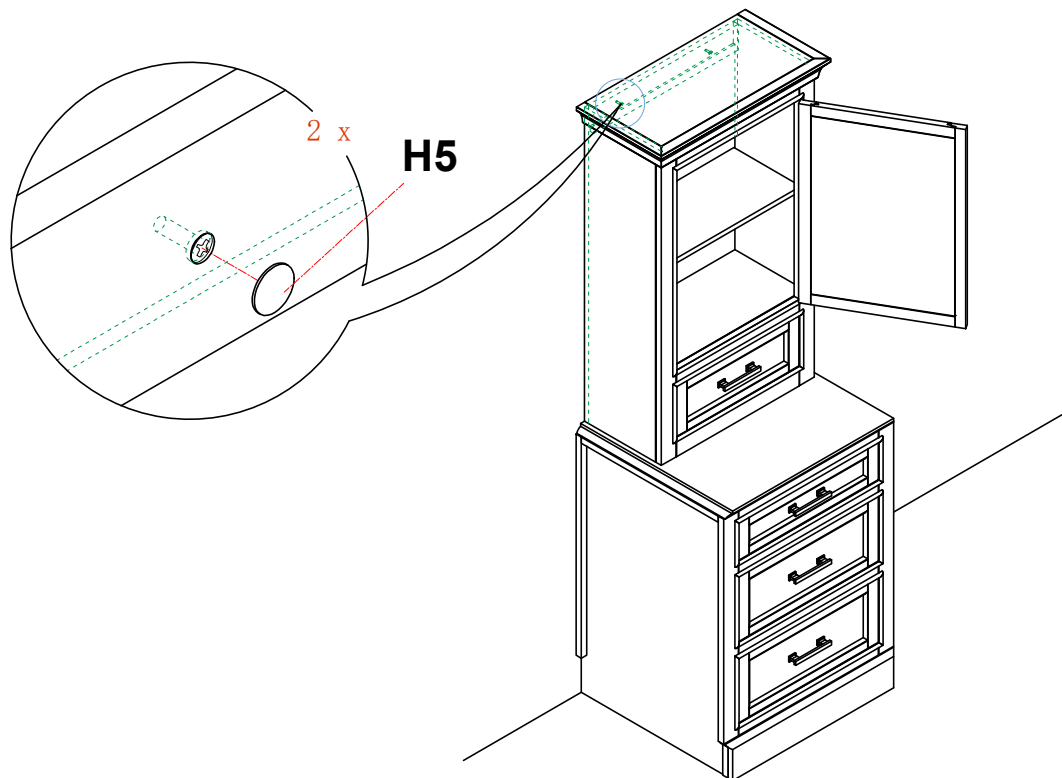
(H1) x 2



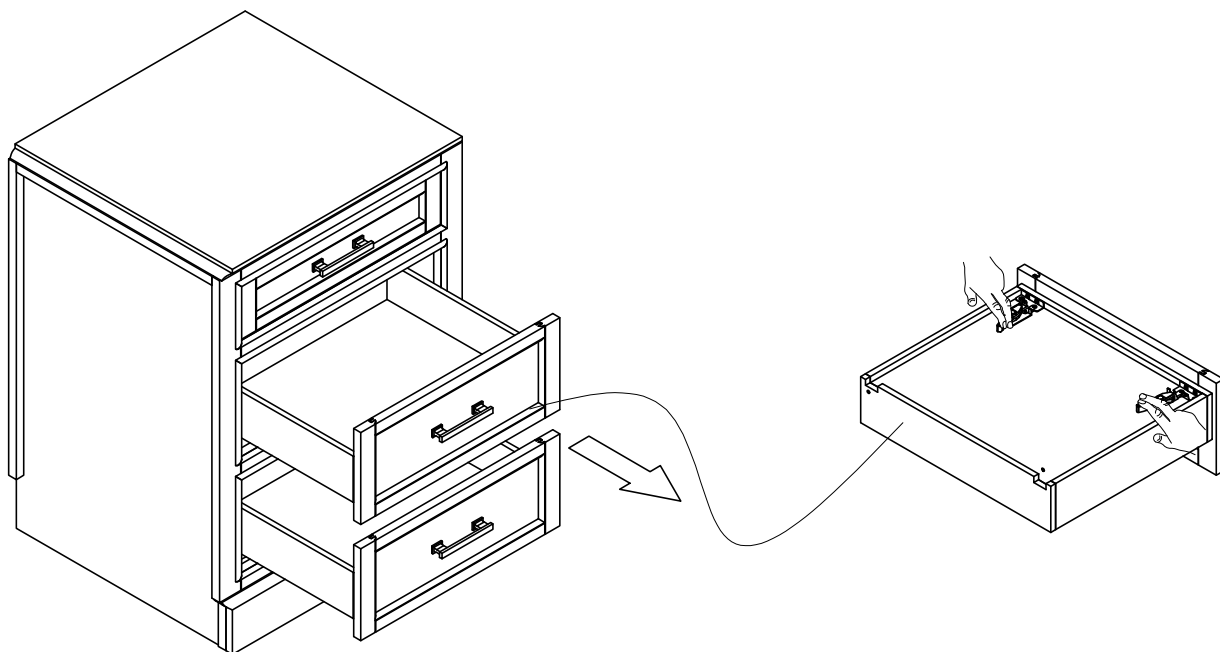
(H2) x 4

Assembly Instructions

Step 3



Step 4



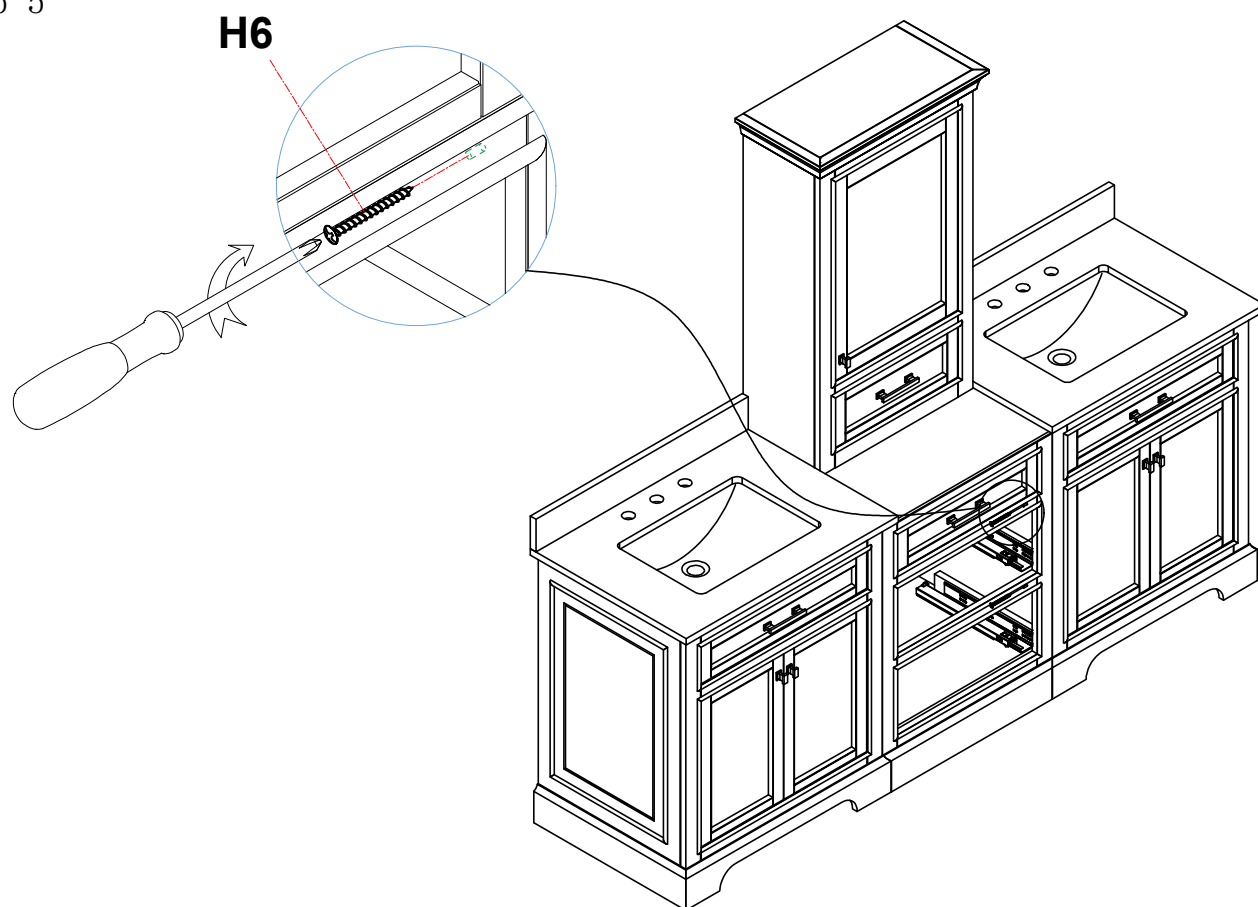
Hardware



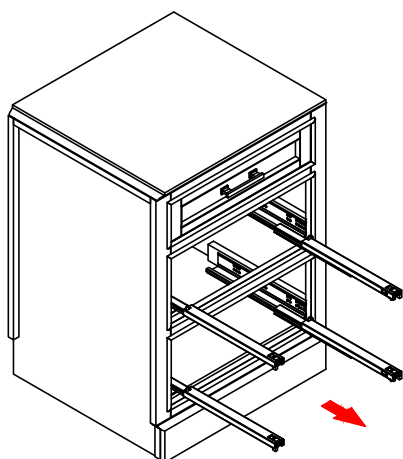
(H5) x 2

Assembly Instructions

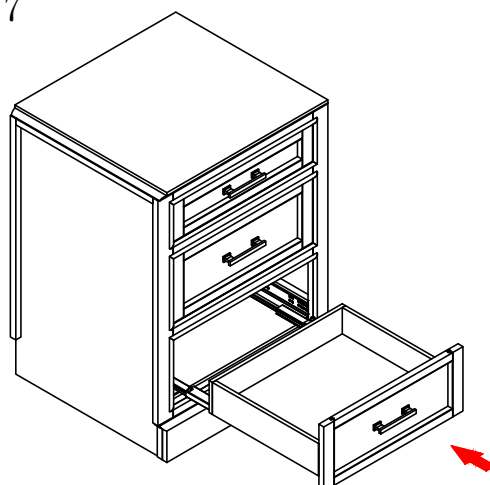
Step 5



Step 6



Step 7



Hardware



(H6) x 4