

# Step 33: Insert Panels

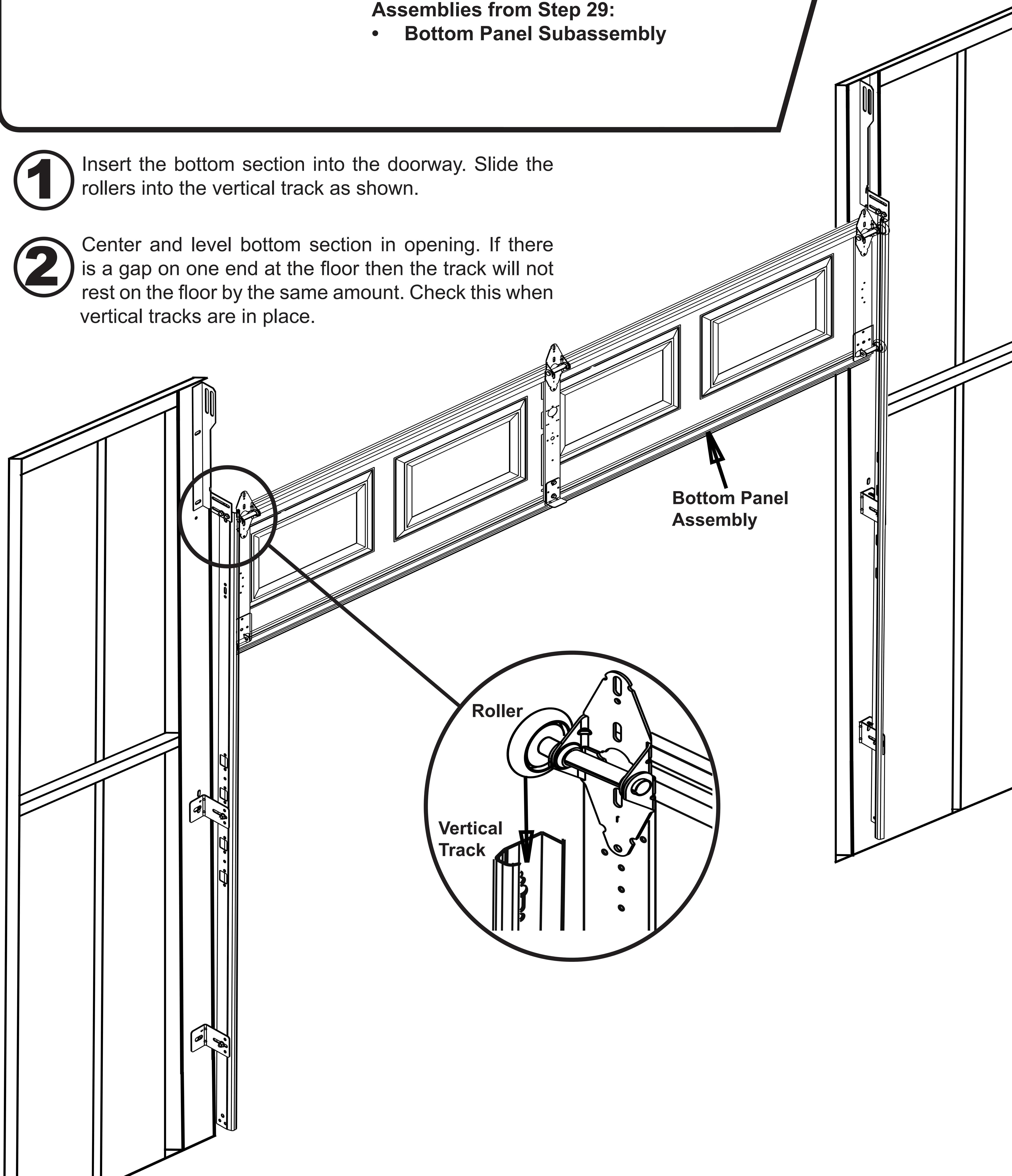
*You will need for this page:*

**Assemblies from Step 29:**

- **Bottom Panel Subassembly**

**1** Insert the bottom section into the doorway. Slide the rollers into the vertical track as shown.

**2** Center and level bottom section in opening. If there is a gap on one end at the floor then the track will not rest on the floor by the same amount. Check this when vertical tracks are in place.

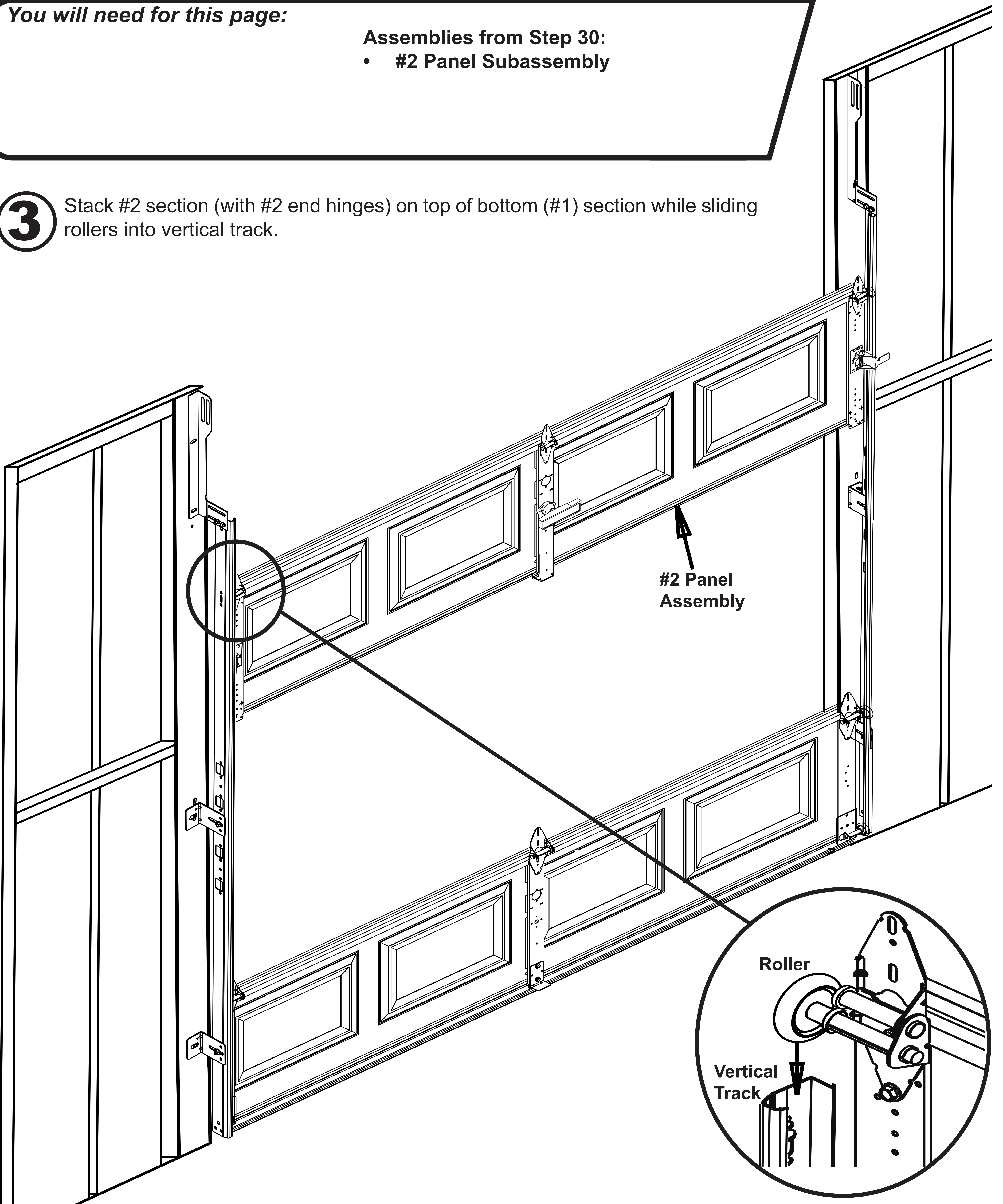


# Step 33: Insert Panels

You will need for this page:

- Assemblies from Step 30:
- #2 Panel Subassembly

- 3** Stack #2 section (with #2 end hinges) on top of bottom (#1) section while sliding rollers into vertical track.

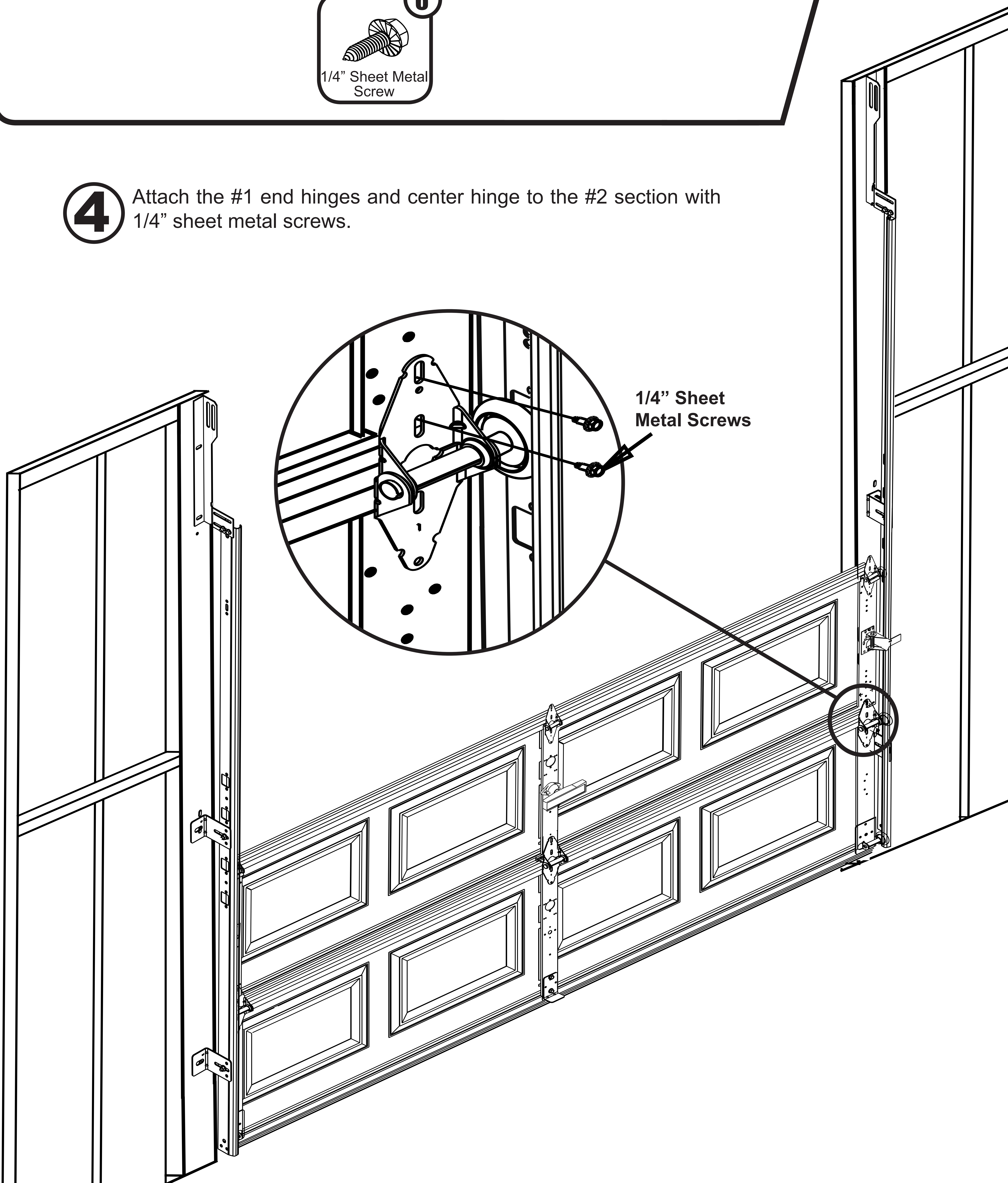


# Step 33: Insert Panels

You will need for this page:



- 4** Attach the #1 end hinges and center hinge to the #2 section with 1/4" sheet metal screws.

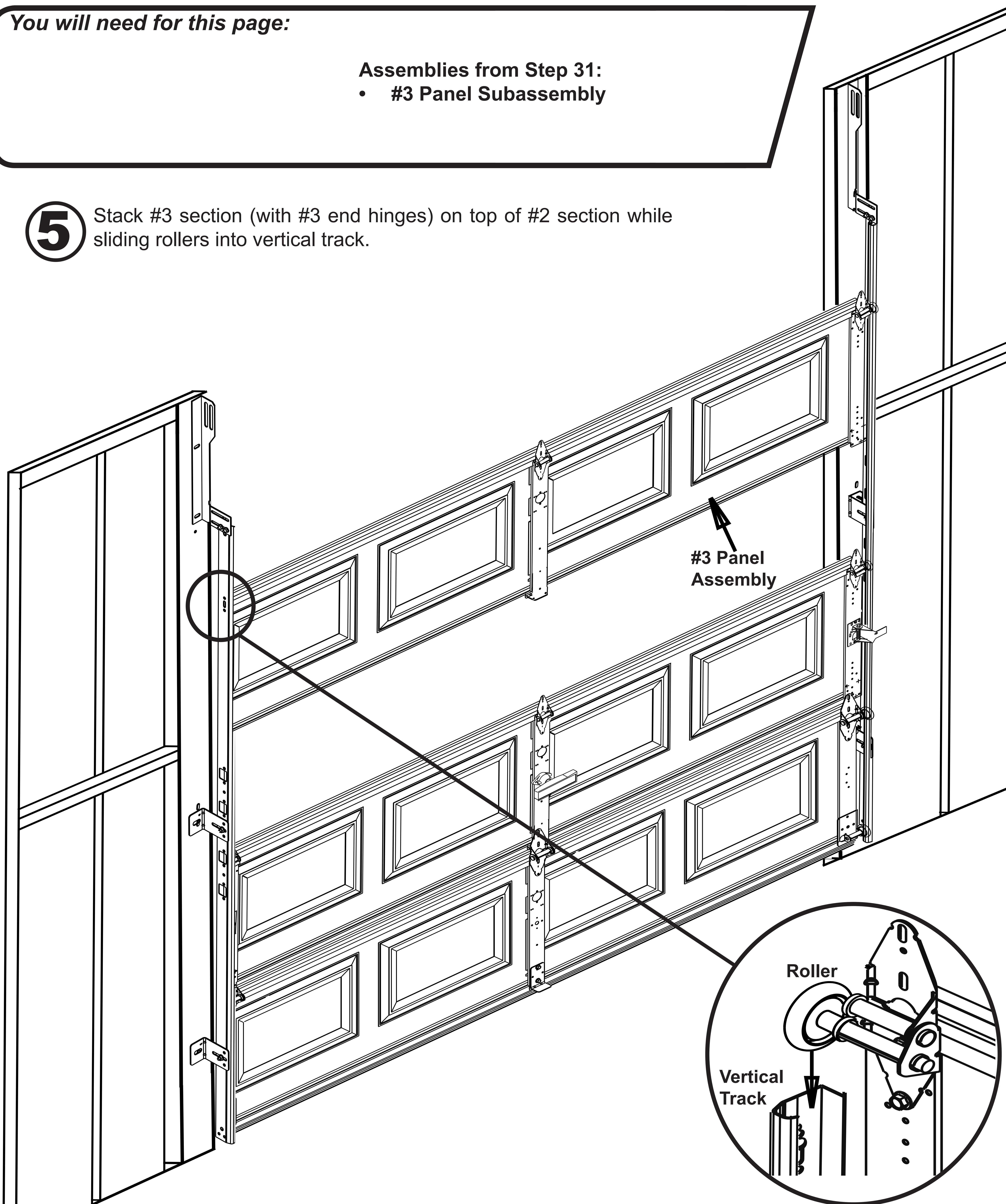


# Step 33: Insert Panels

You will need for this page:

- Assemblies from Step 31:
- #3 Panel Subassembly

- 5** Stack #3 section (with #3 end hinges) on top of #2 section while sliding rollers into vertical track.

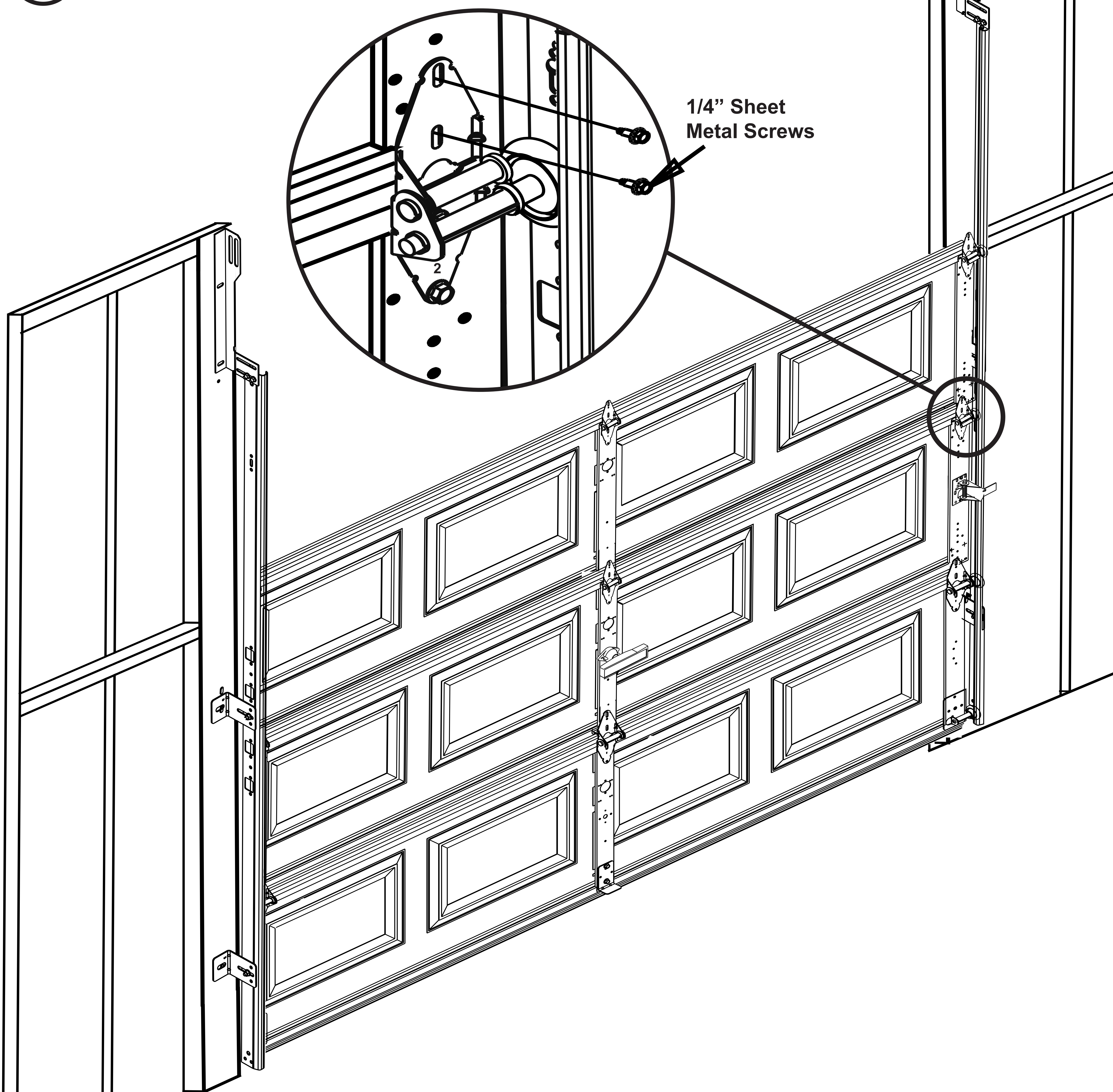


# Step 33: Insert Panels

You will need for this page:

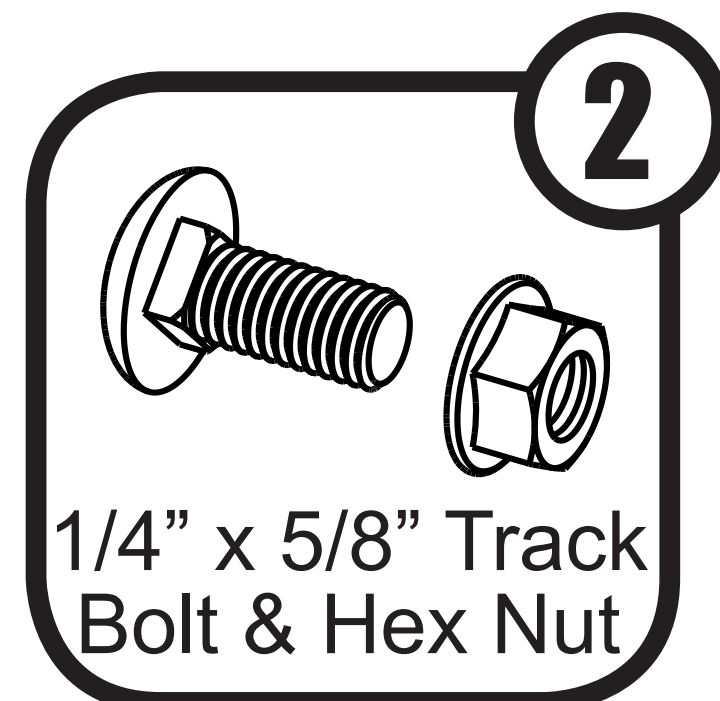


- 6** Attach the #2 end hinges and center hinge to the #3 section with 1/4" sheet metal screws.

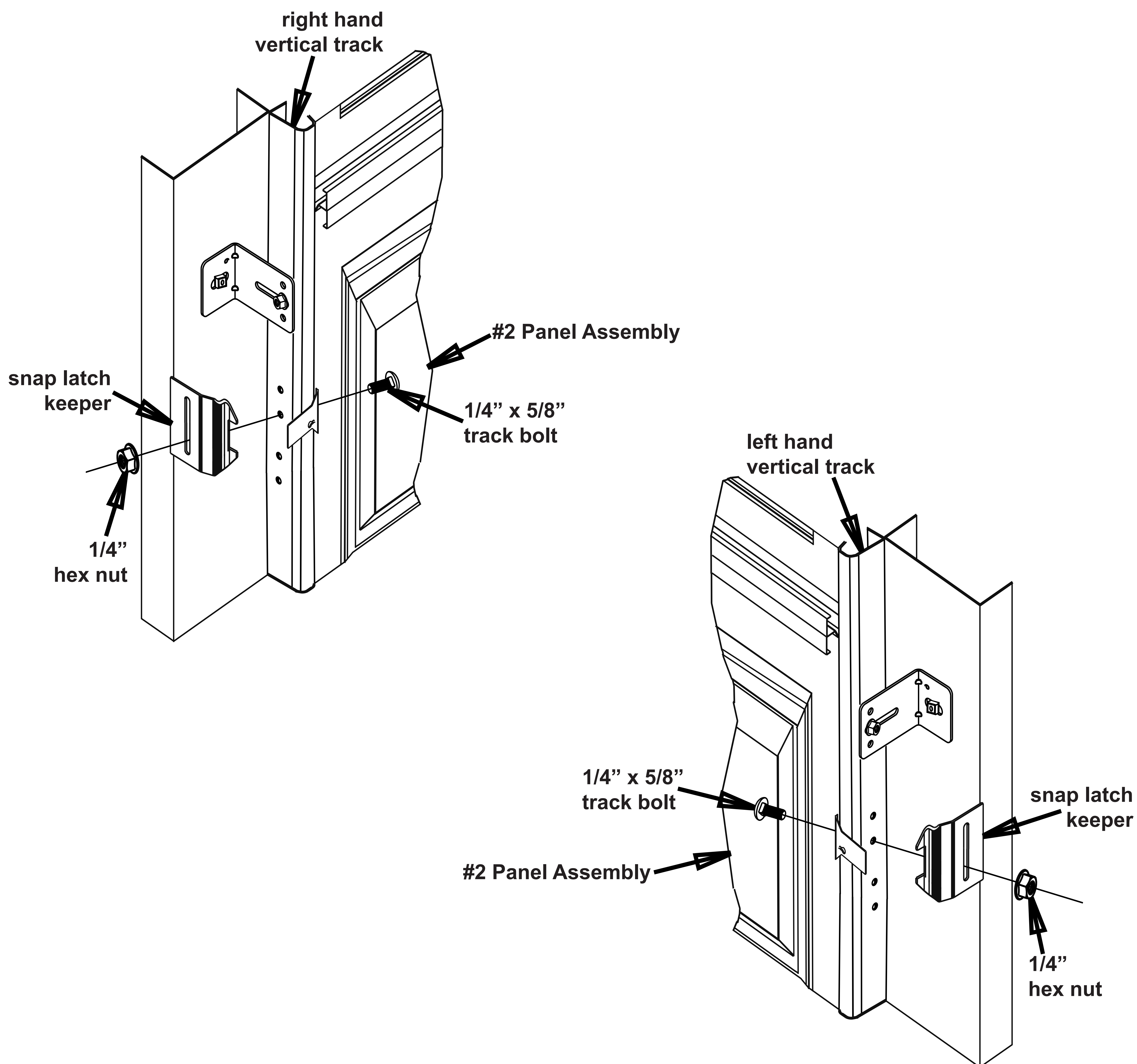


# Step 34: Snap Latch Keeper

You will need for this page:

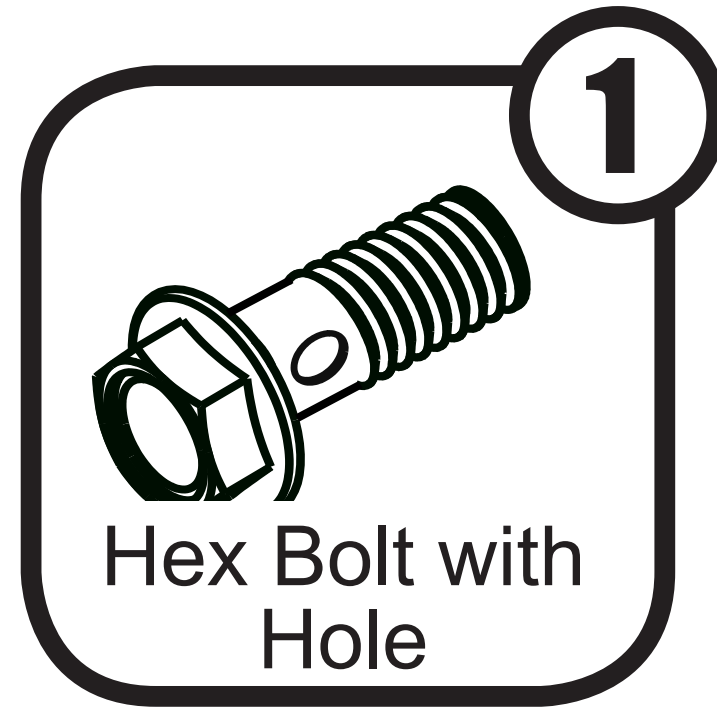
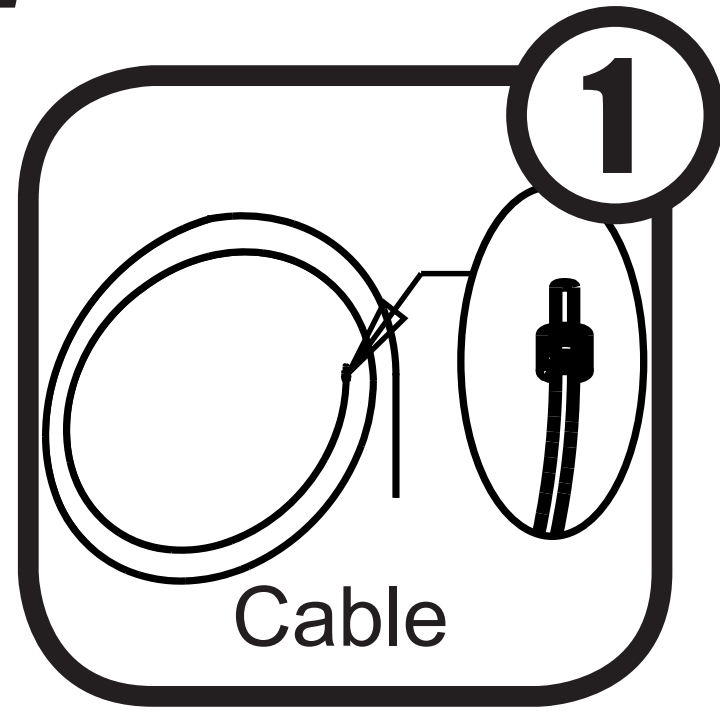


- 1** Attach a snap latch keeper to each vertical track using a bolt and nut.

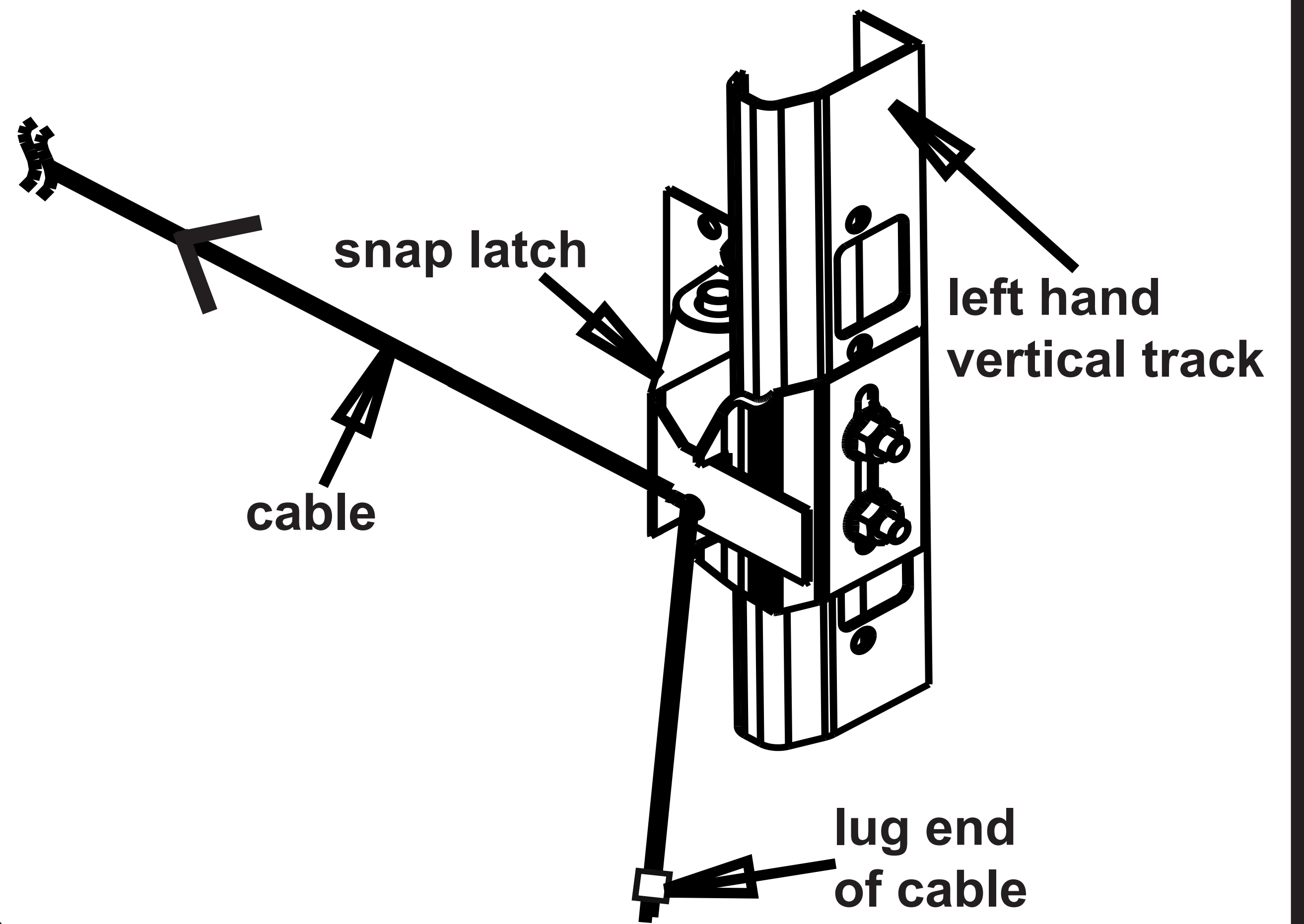


# Step 35: Thread Cable

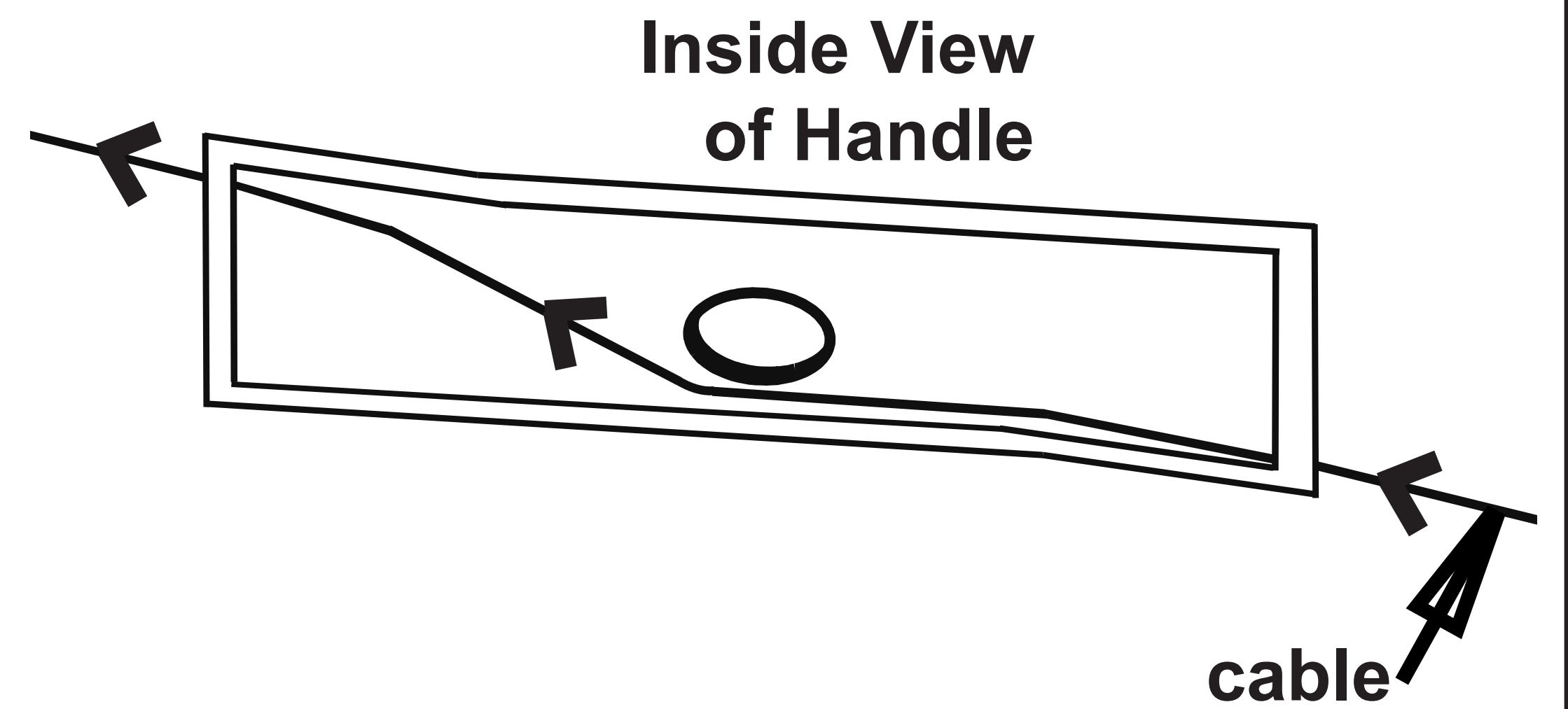
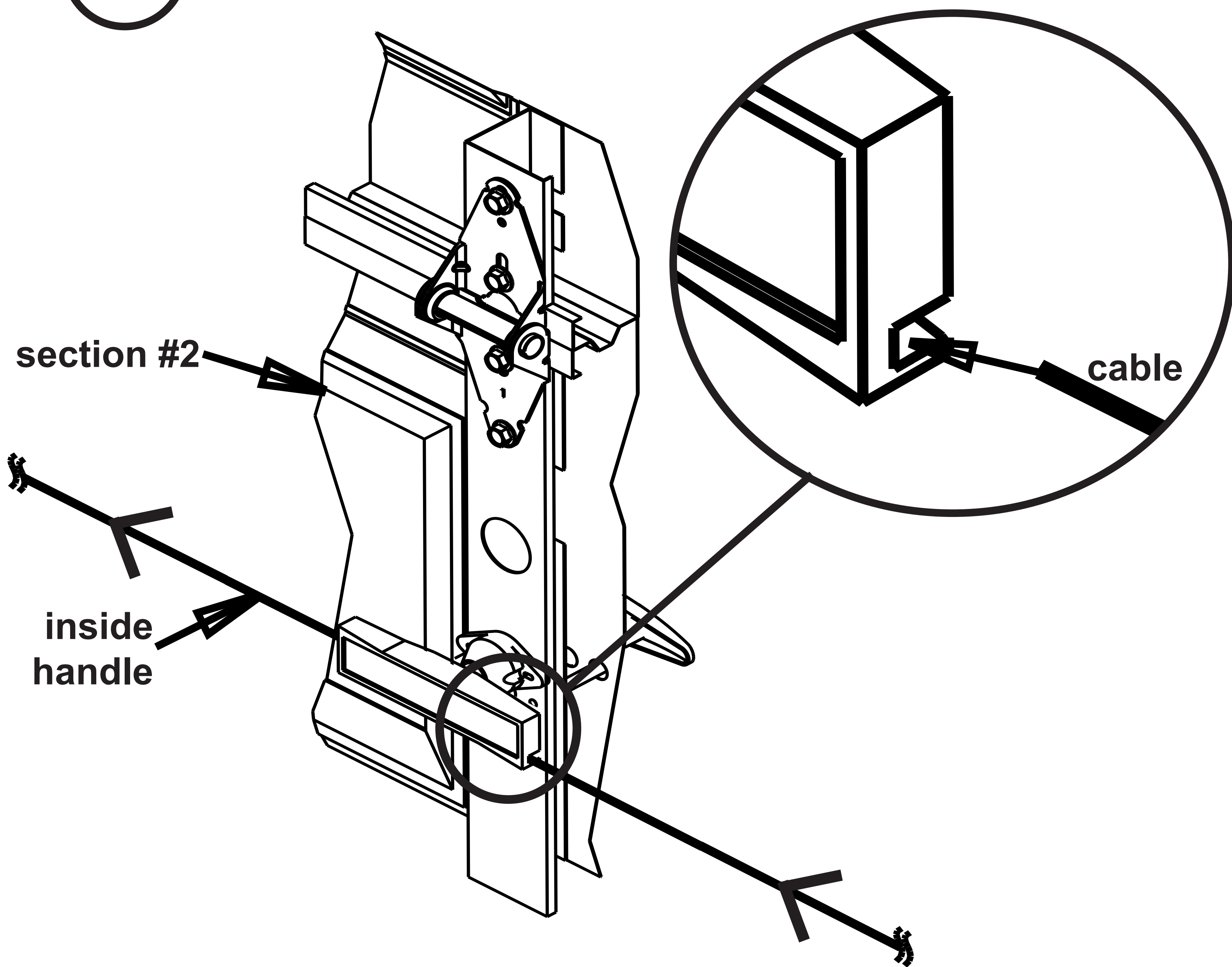
You will need for this page:



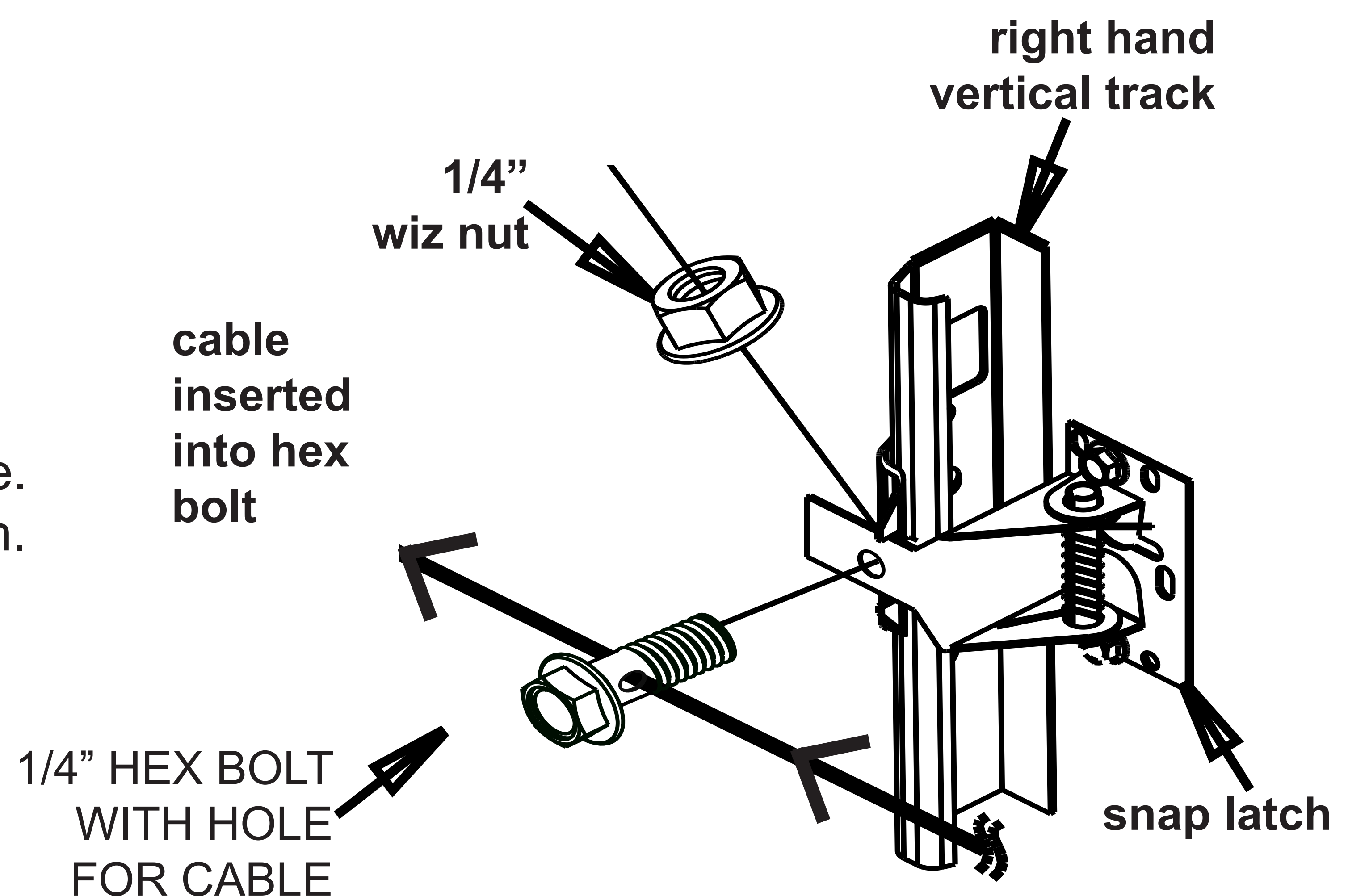
**1** Insert cable through left snap latch hole. Place a lug on the end of the cable to prevent it from sliding out.



**2** Feed the cable through the inside handle.

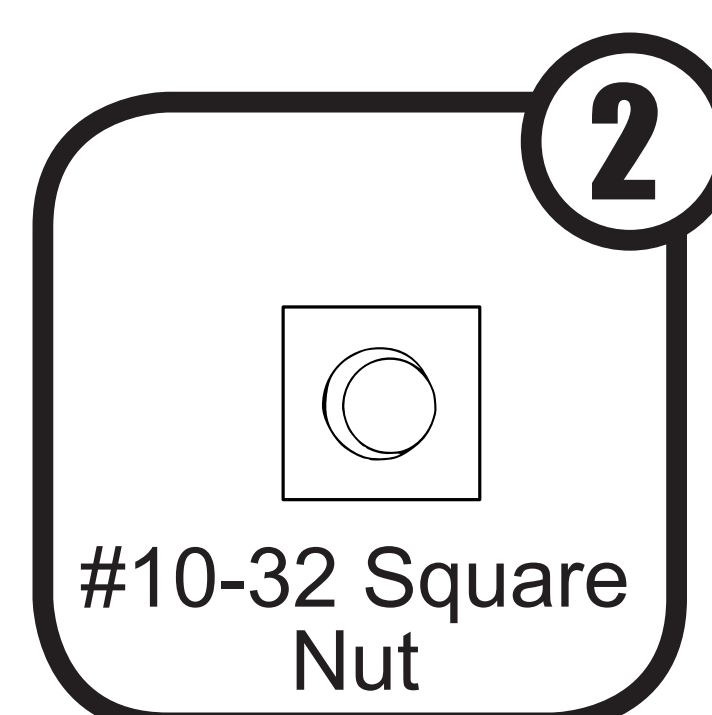
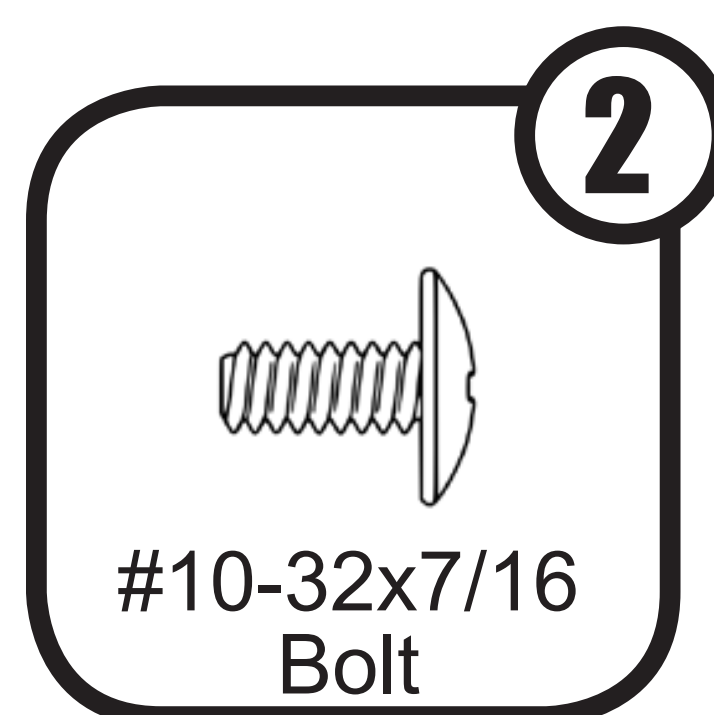
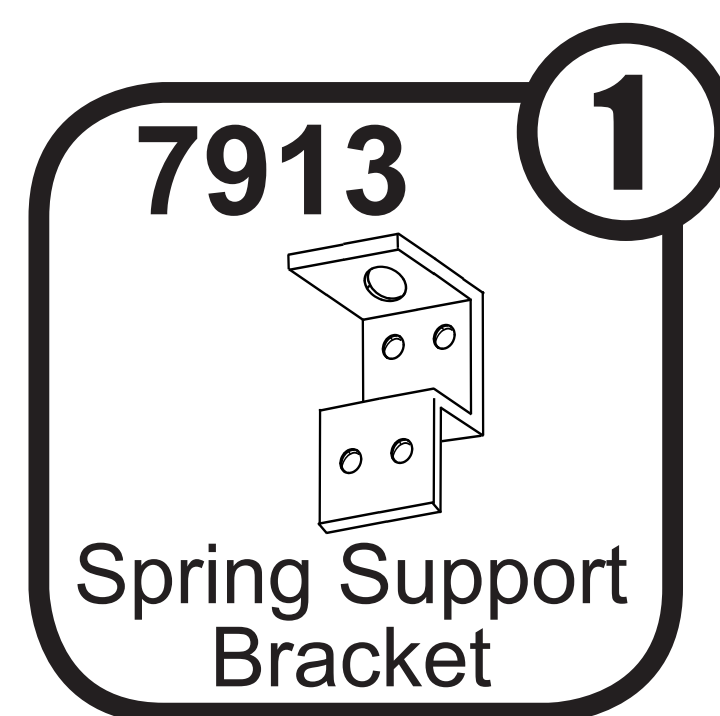


**3** Thread cable through 1/4" hex bolt hole. Insert the hex bolt into the snap latch. Tighten with 1/4" wiz nut.

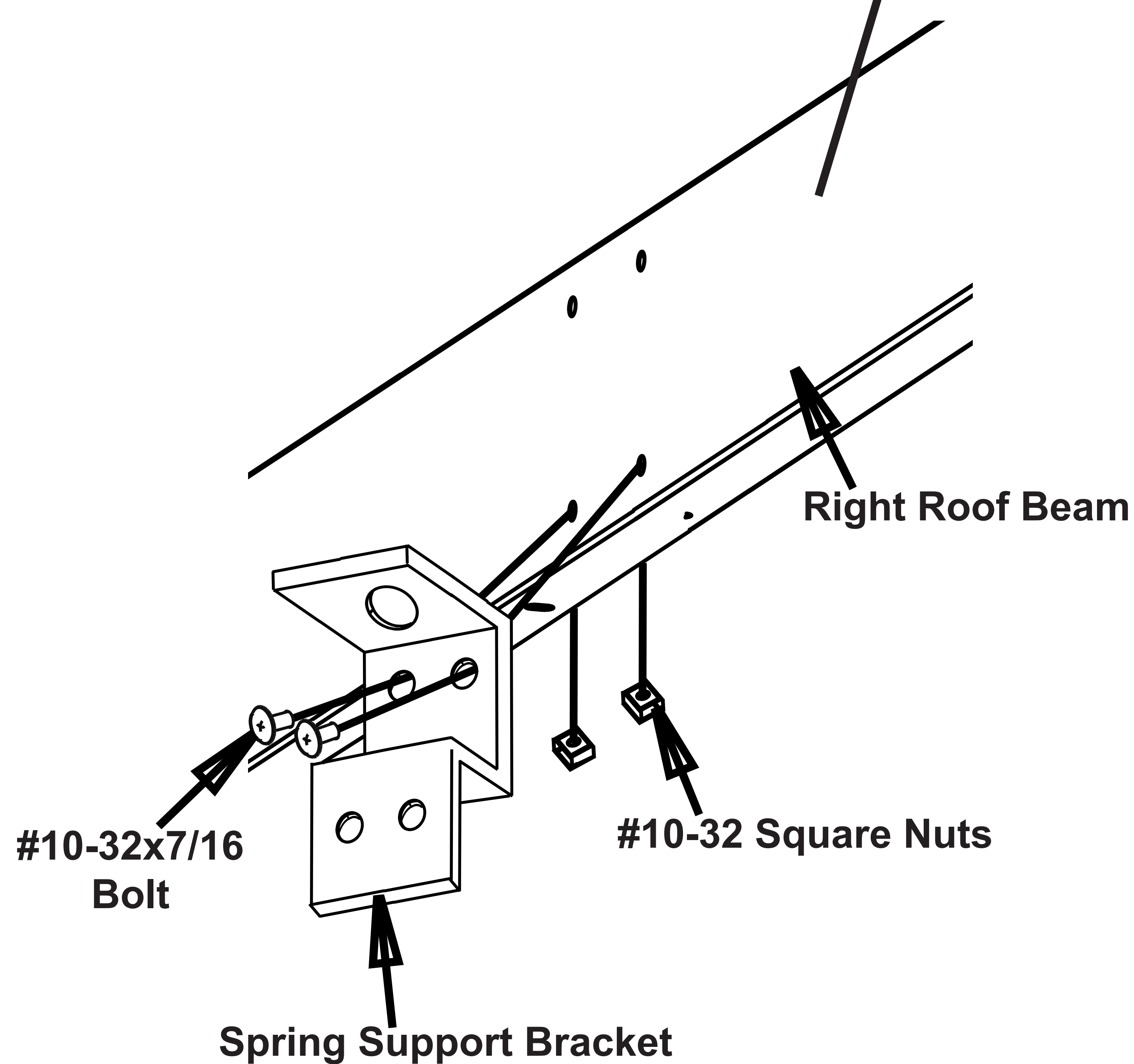
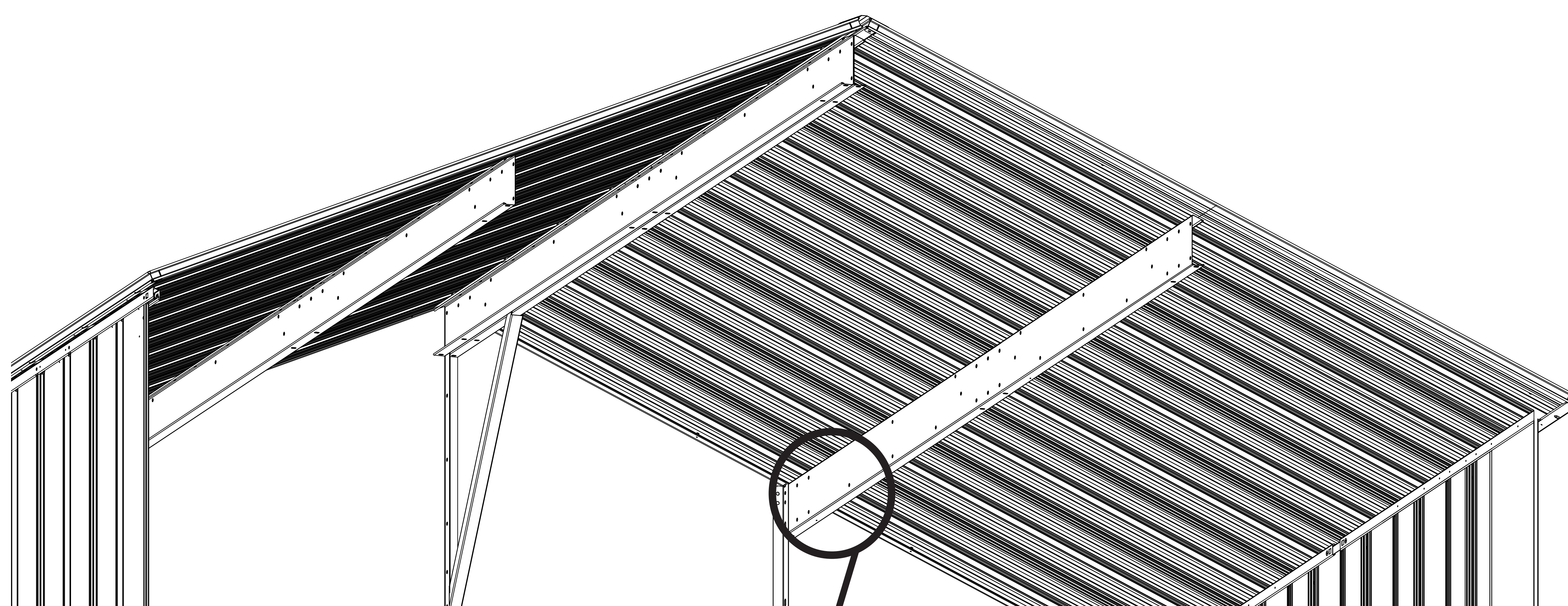


# Step 36: Horizontal Track

You will need for this page:



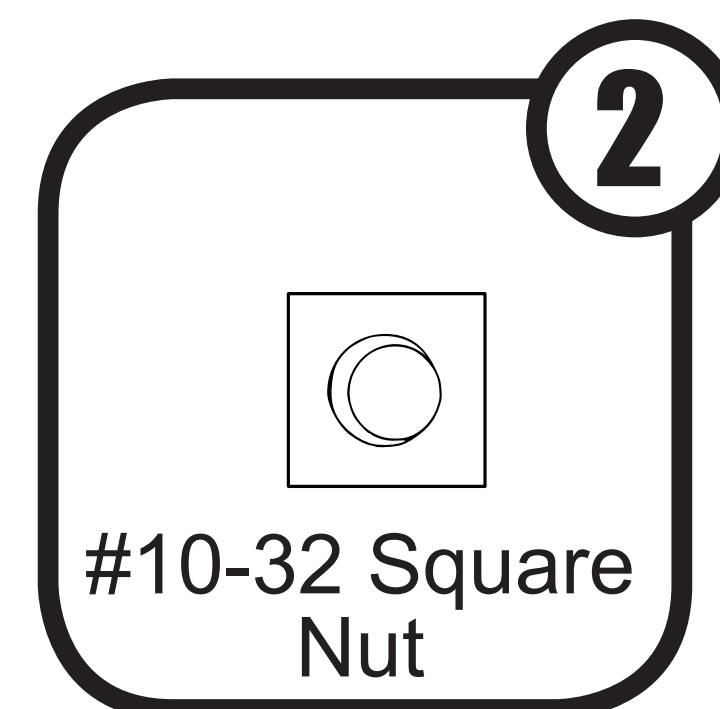
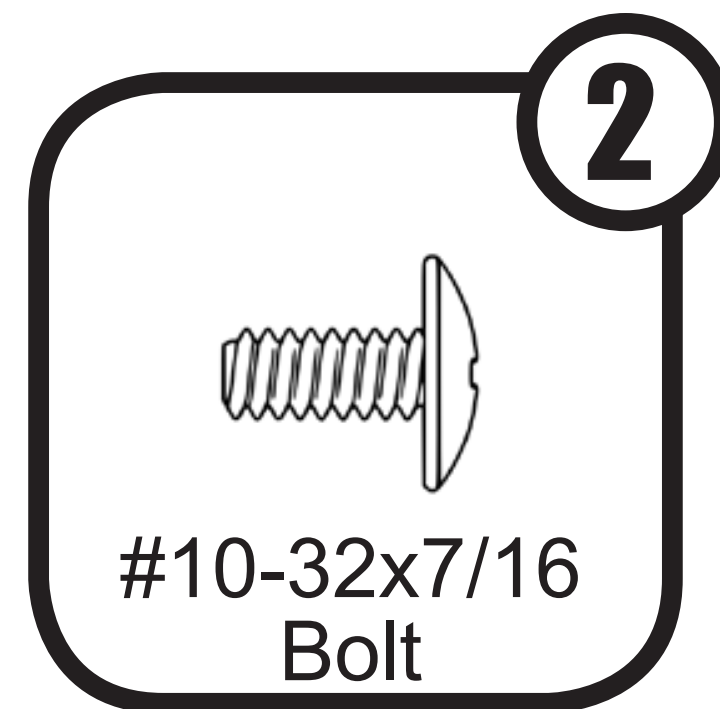
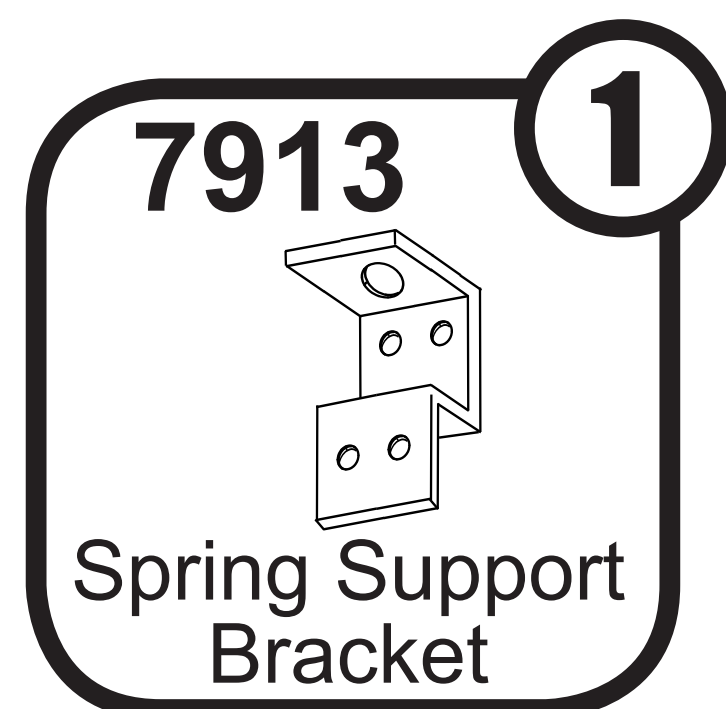
- 1** Attach the spring support bracket to the back of the right roof beam using two bolts and square nuts.



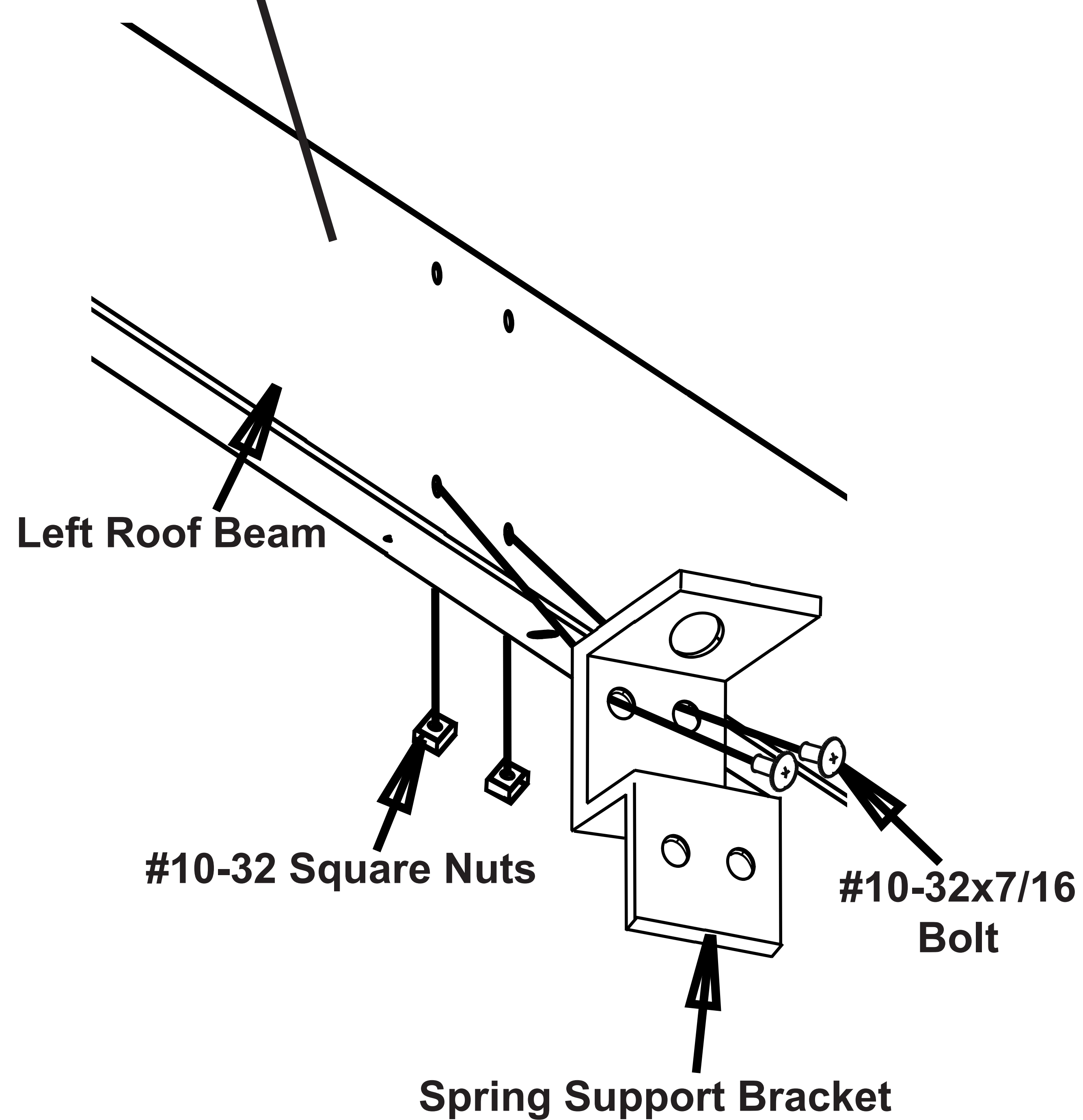
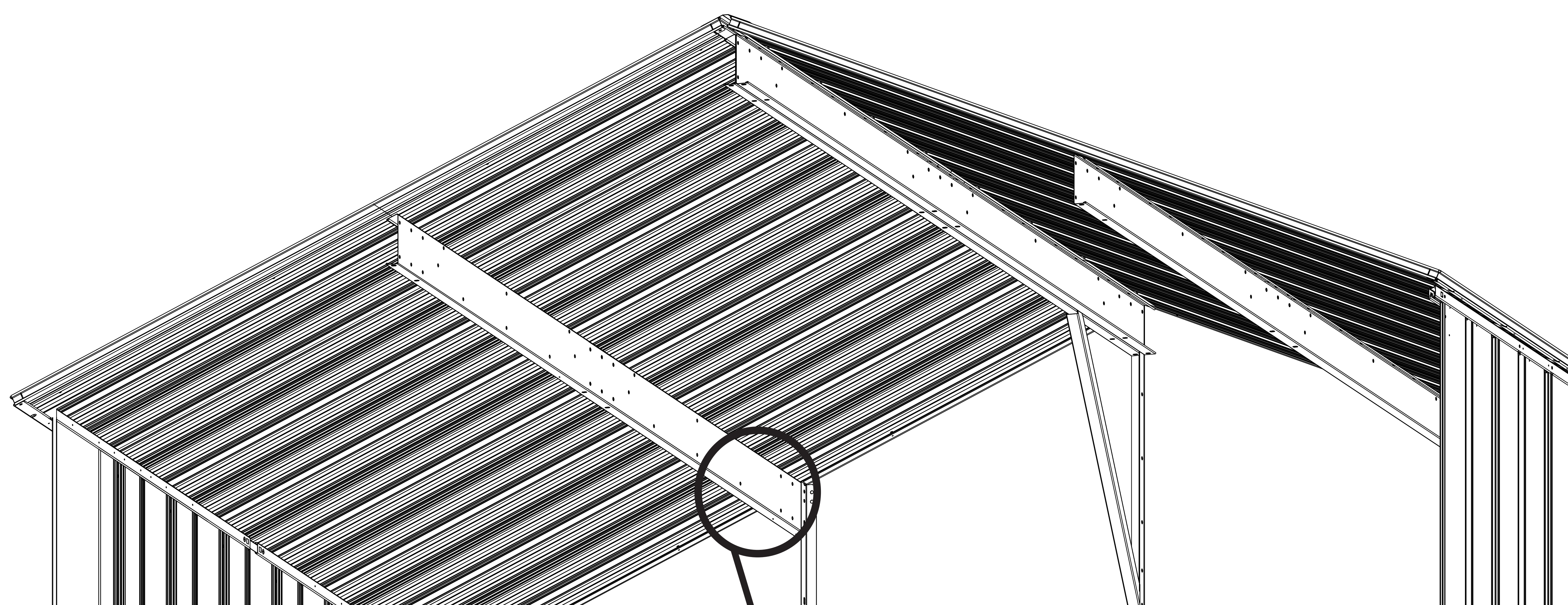


# Step 36: Horizontal Track

You will need for this page:

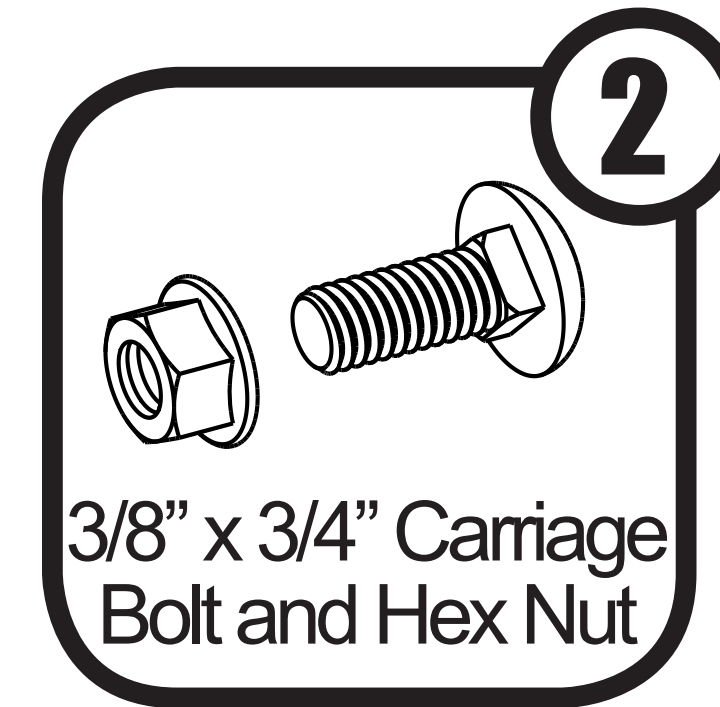
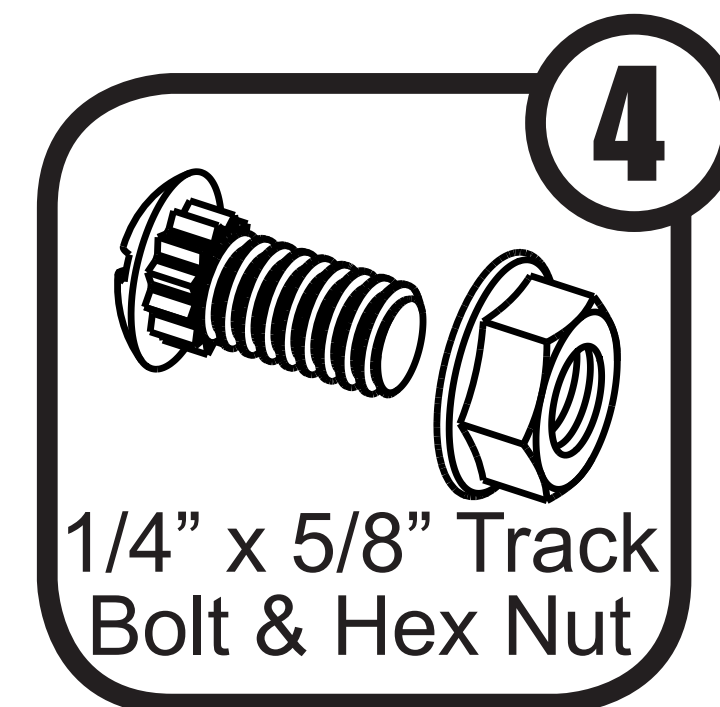


- 2** Attach the spring support bracket to the back of the left roof beam using two bolts and square nuts.



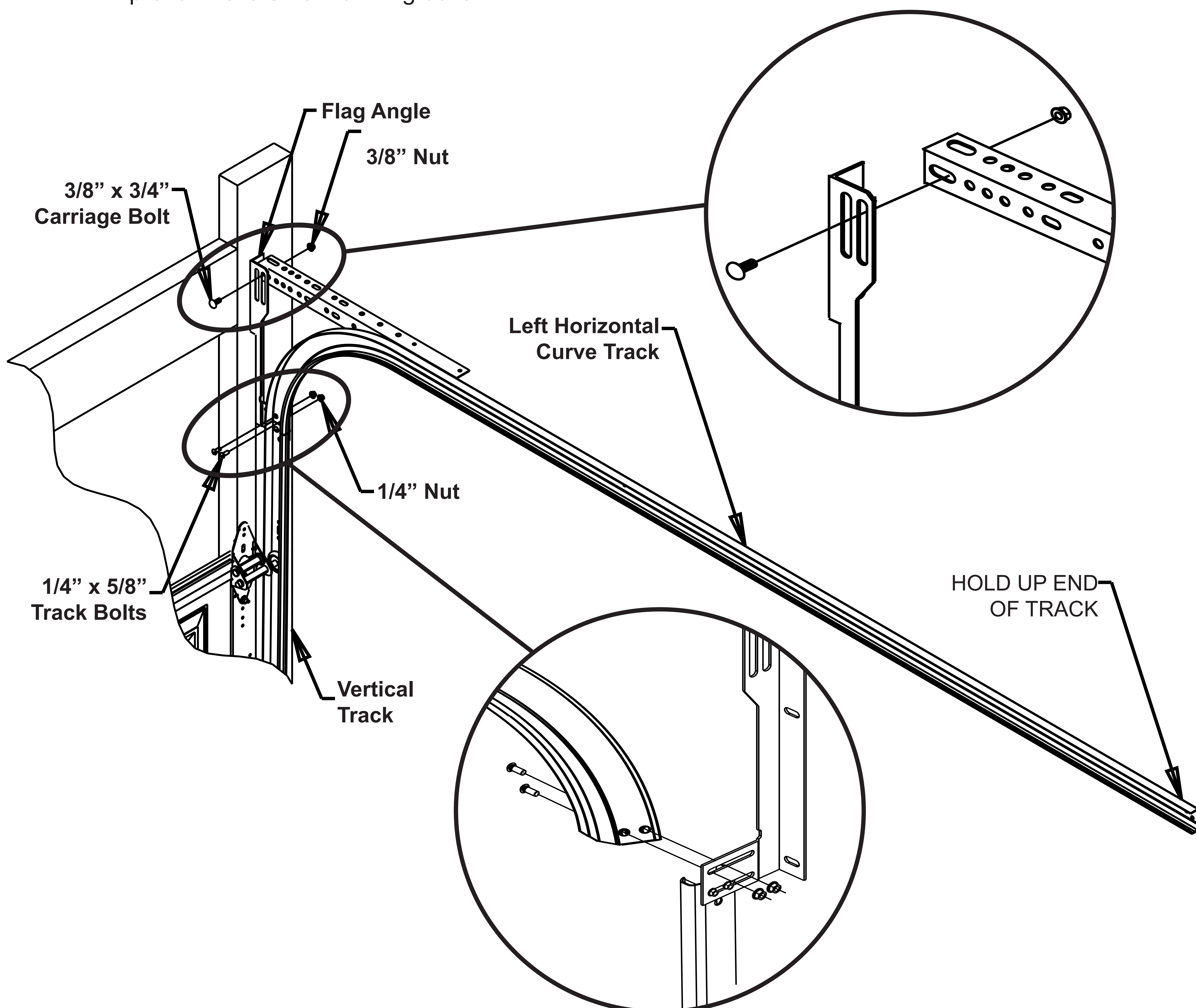
# Step 36: Horizontal Track

You will need for this page:



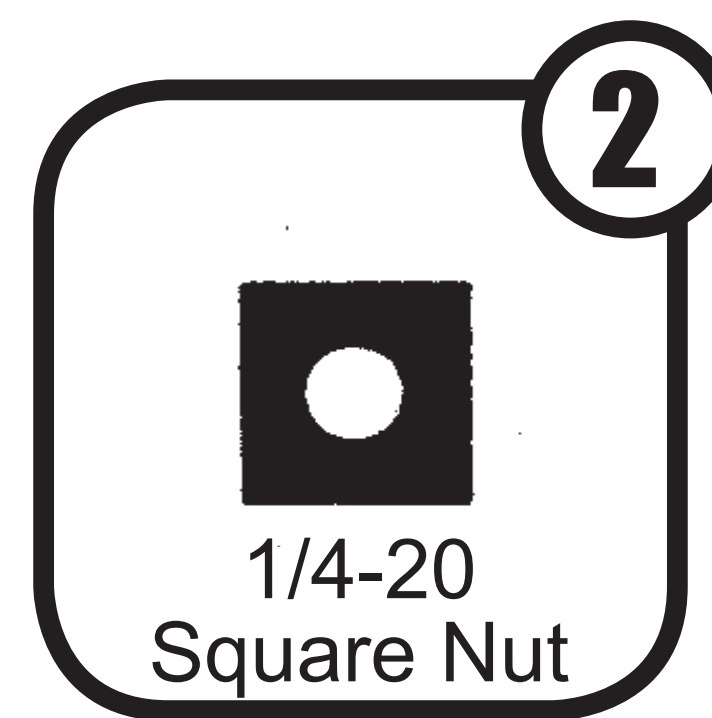
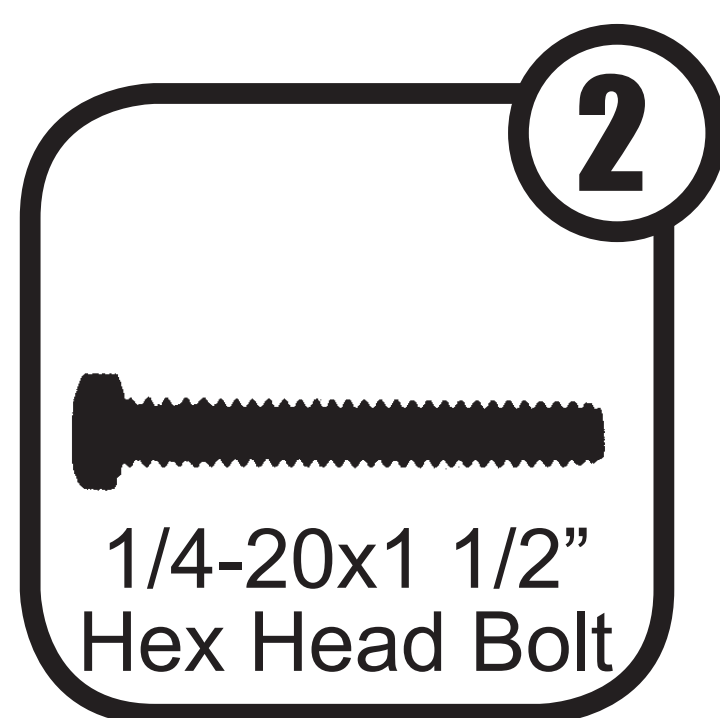
**3** Have another person hold the end of the left horizontal curve track. Fasten the front of the track to flag angle with (2) 1/4" x 5/8" track bolts and nuts. Always place heads of bolts to inside of the track. This will prevent rollers from striking bolts.

**4** Fasten angle (attached to horizontal curve track) to flag angle with 3/8" x 3/4" carriage bolt and nut. Always place heads of bolts on same side as the door sections. This will prevent door from striking bolts.



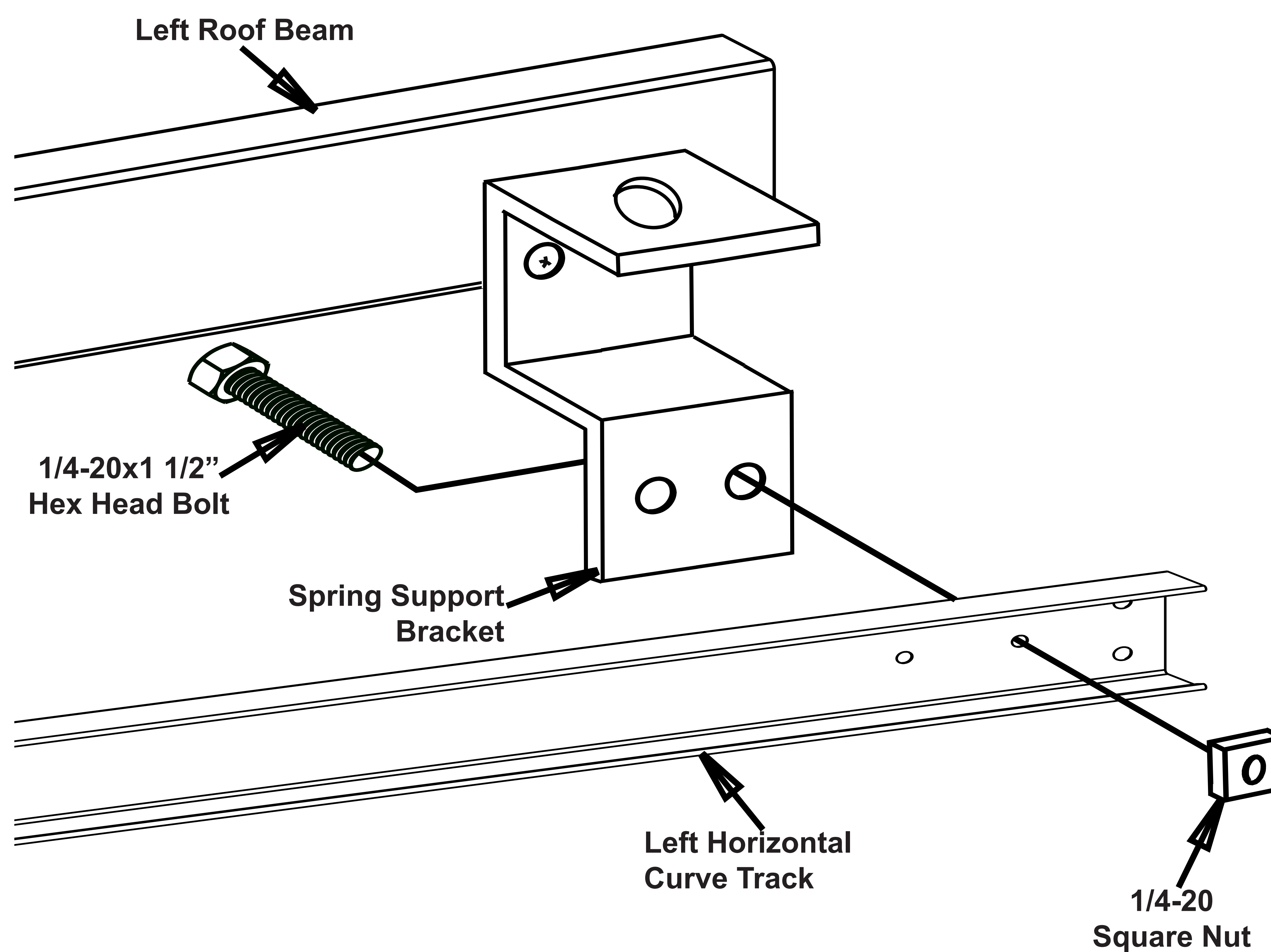
# Step 36: Horizontal Track

You will need for this page:



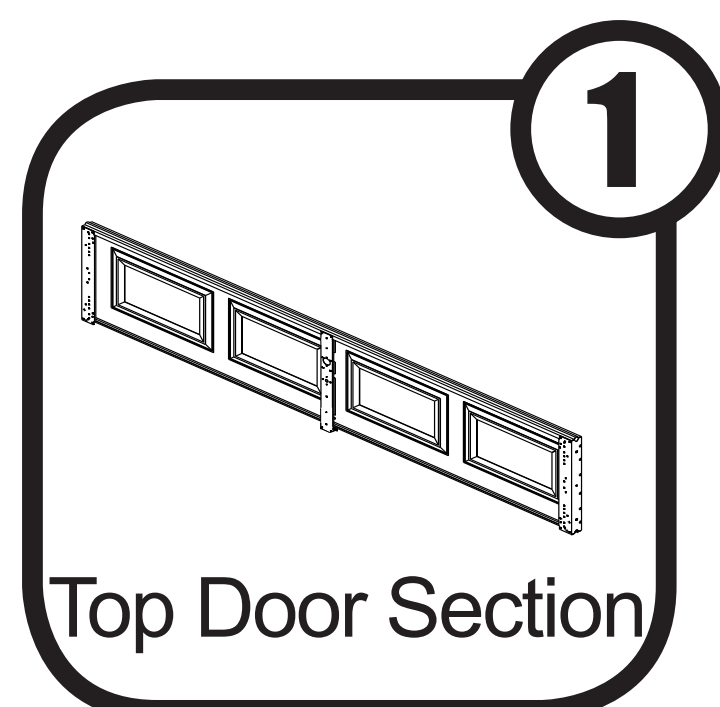
- 5** Attach the end of the Left Horizontal Curve Track to the Spring Support Bracket using a long bolt and hex nut as shown.

- 6** Repeat for Right Horizontal Track.



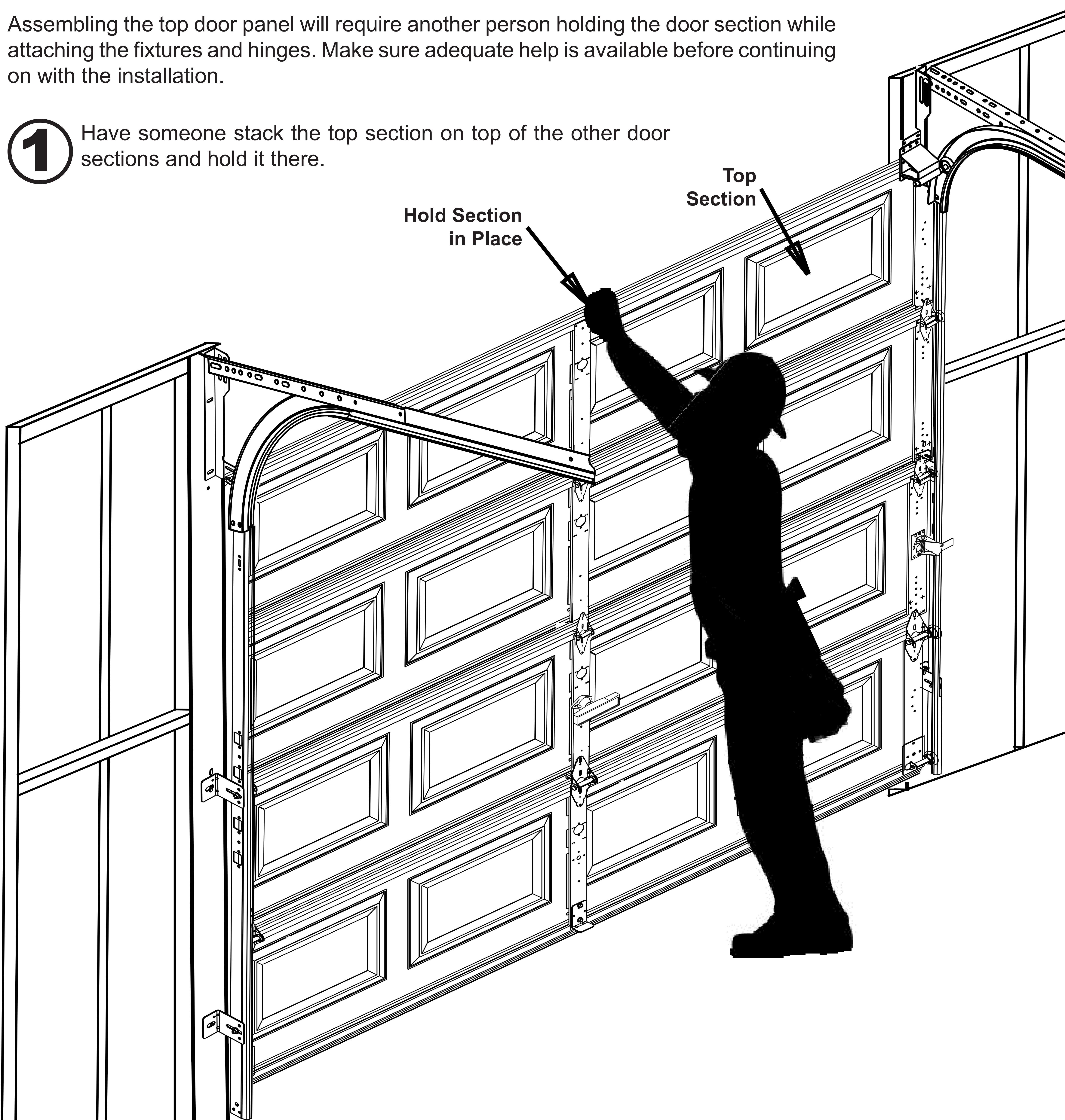
# Step 37: Insert Top Panel

You will need for this page:



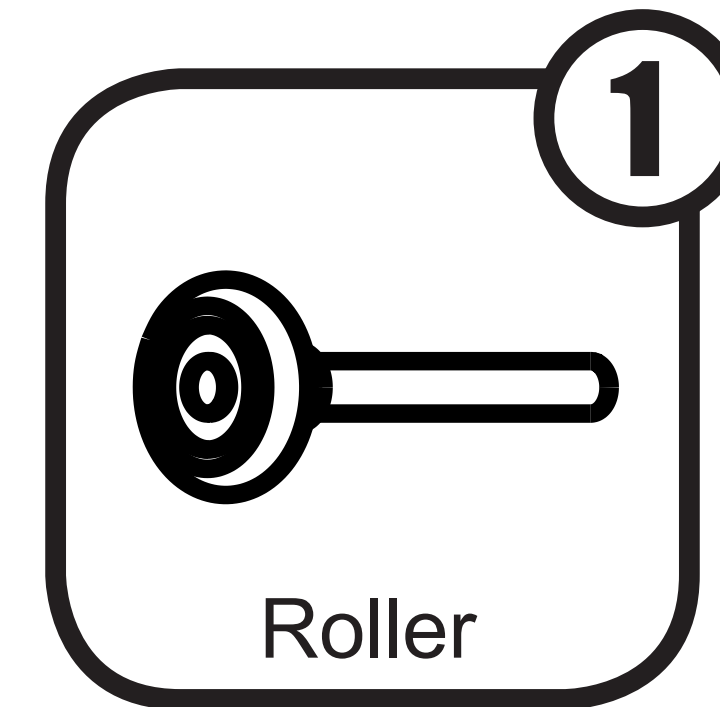
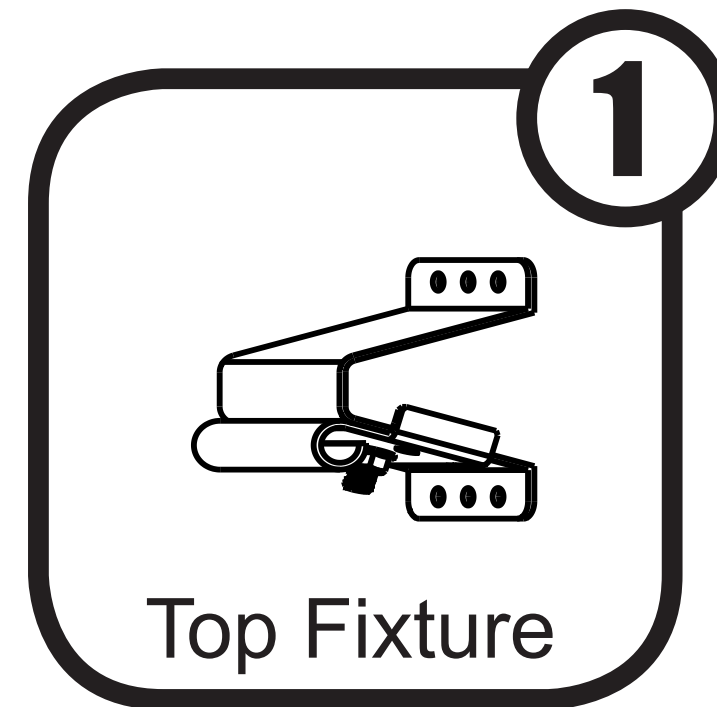
Assembling the top door panel will require another person holding the door section while attaching the fixtures and hinges. Make sure adequate help is available before continuing on with the installation.

- 1** Have someone stack the top section on top of the other door sections and hold it there.

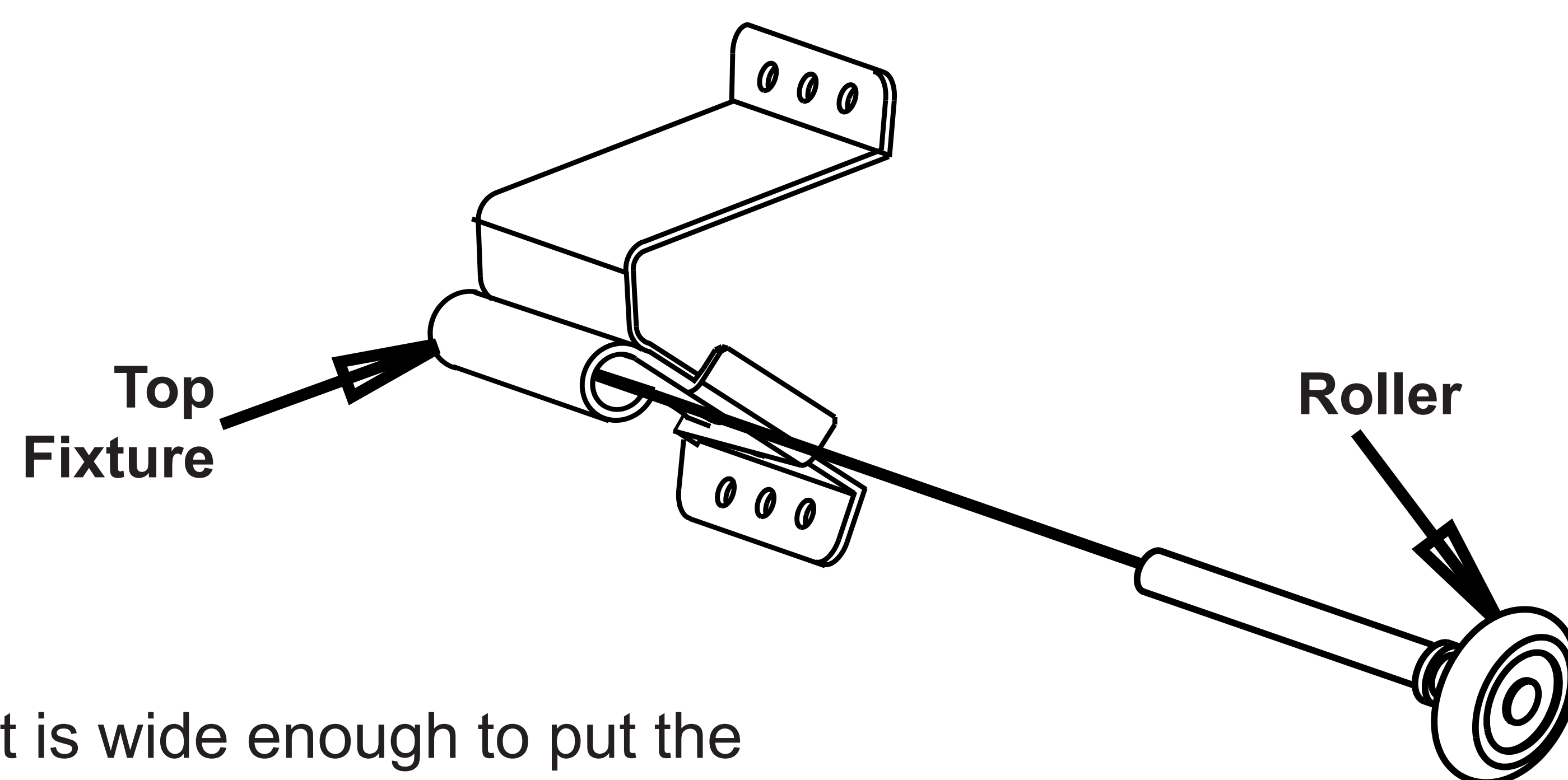


# Step 37: Insert Top Panel

You will need for this page:

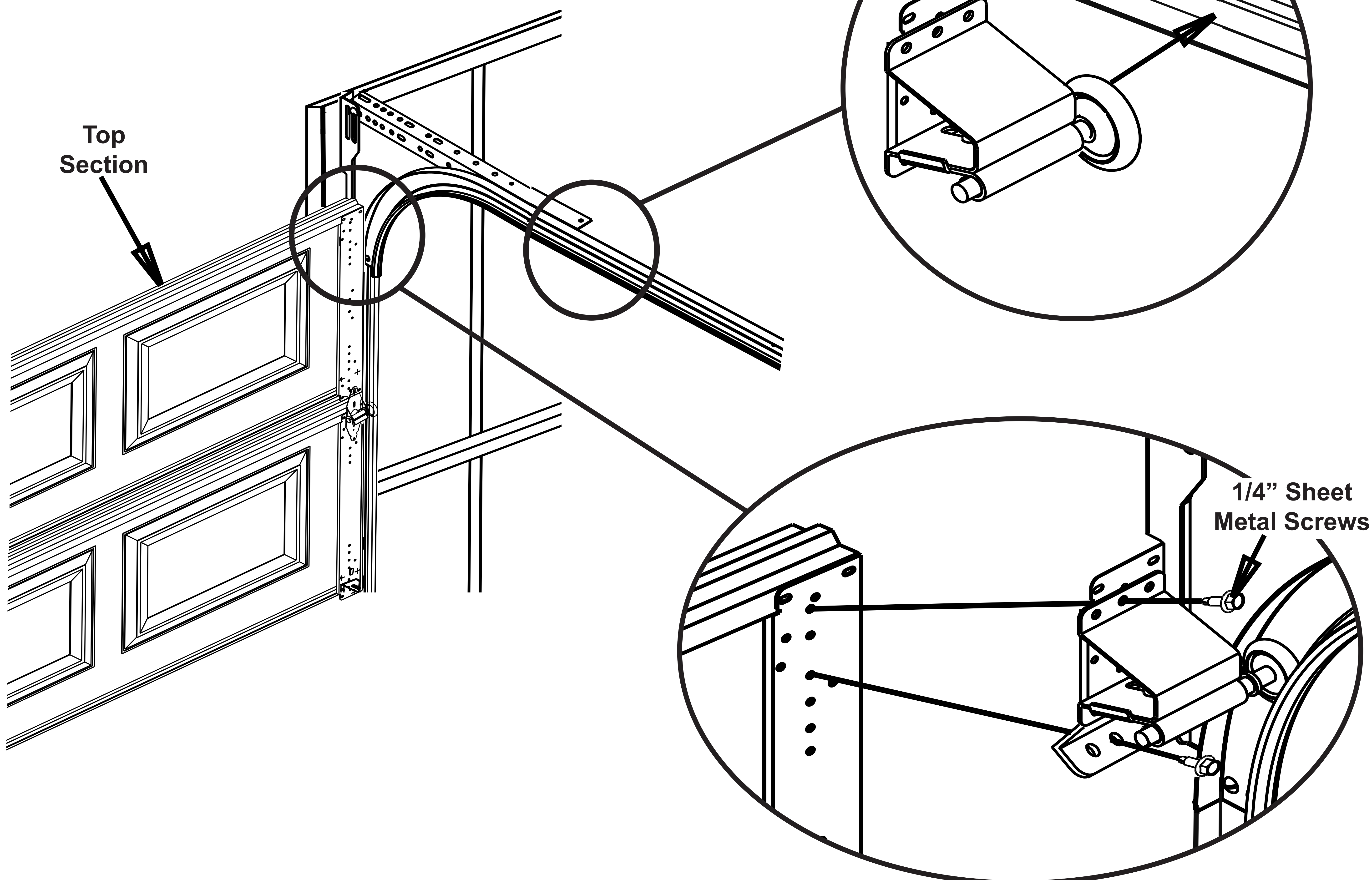


- 2** Place a roller inside of a top fixture.



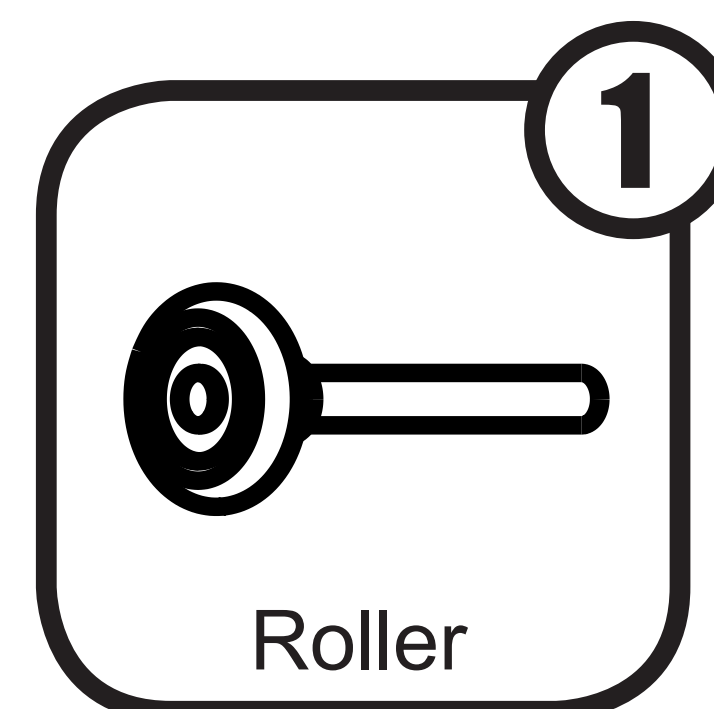
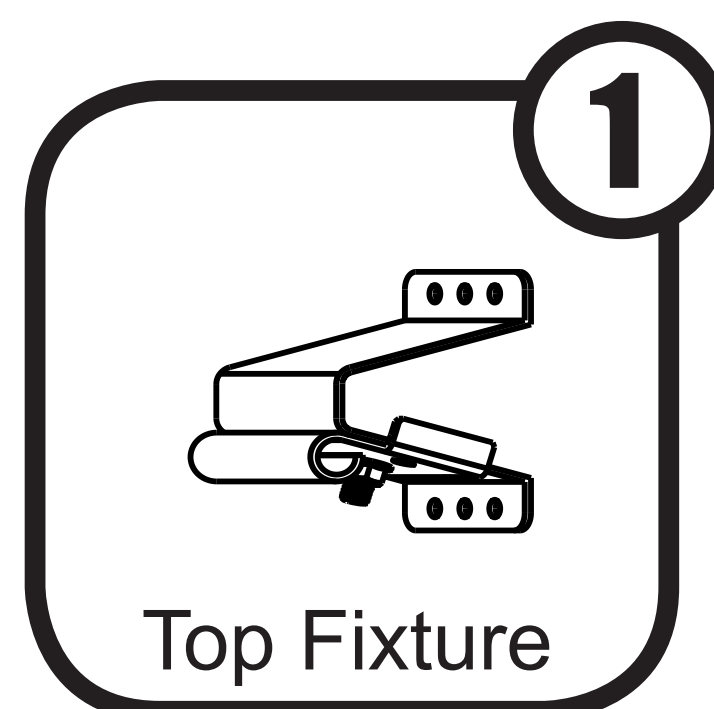
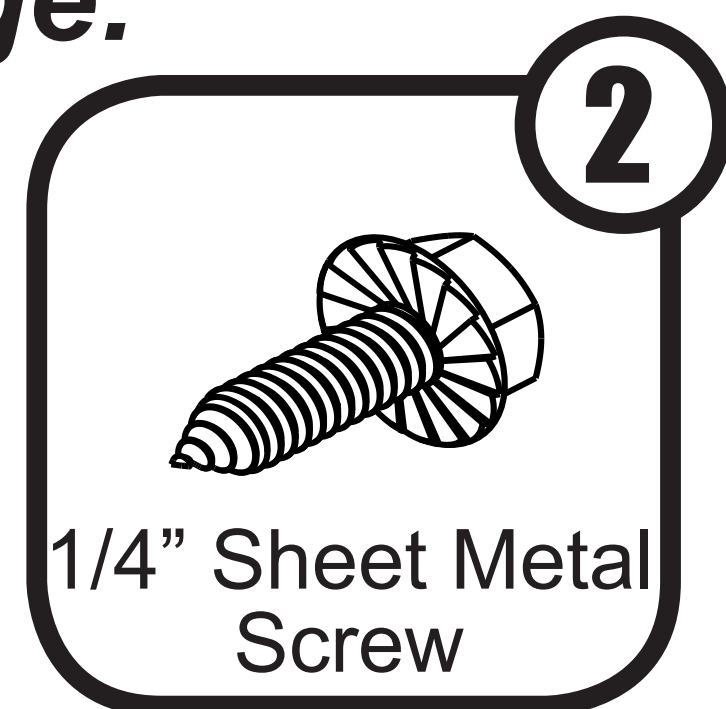
- 3** Slide the roller into the horizontal track where it is wide enough to put the roller as shown. You may have to angle it in.

- 4** Slide the roller through the track so it lines up with the top track. Attach the top fixture to the top section using 1/4" sheet metal screws.

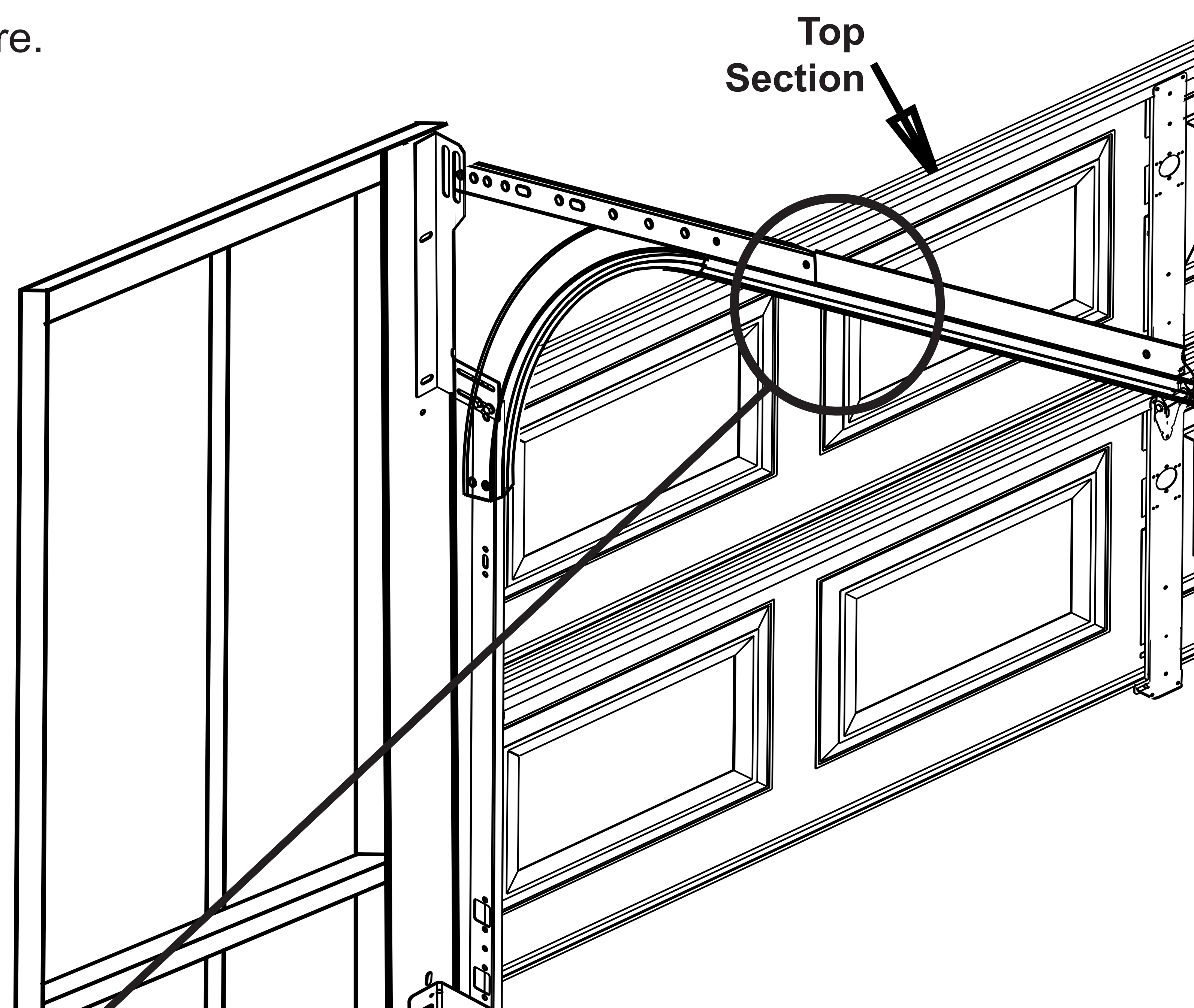
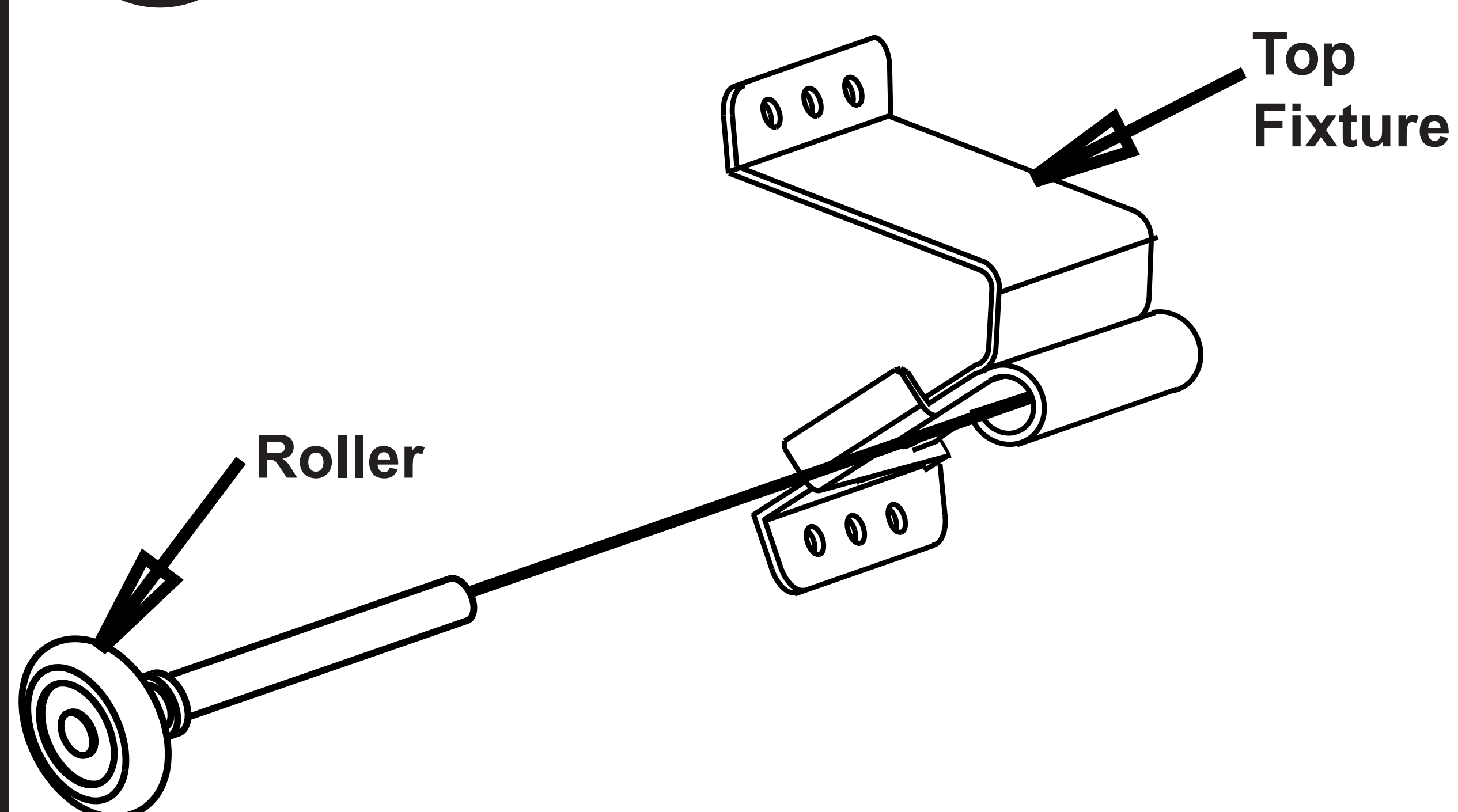


# Step 37: Insert Top Panel

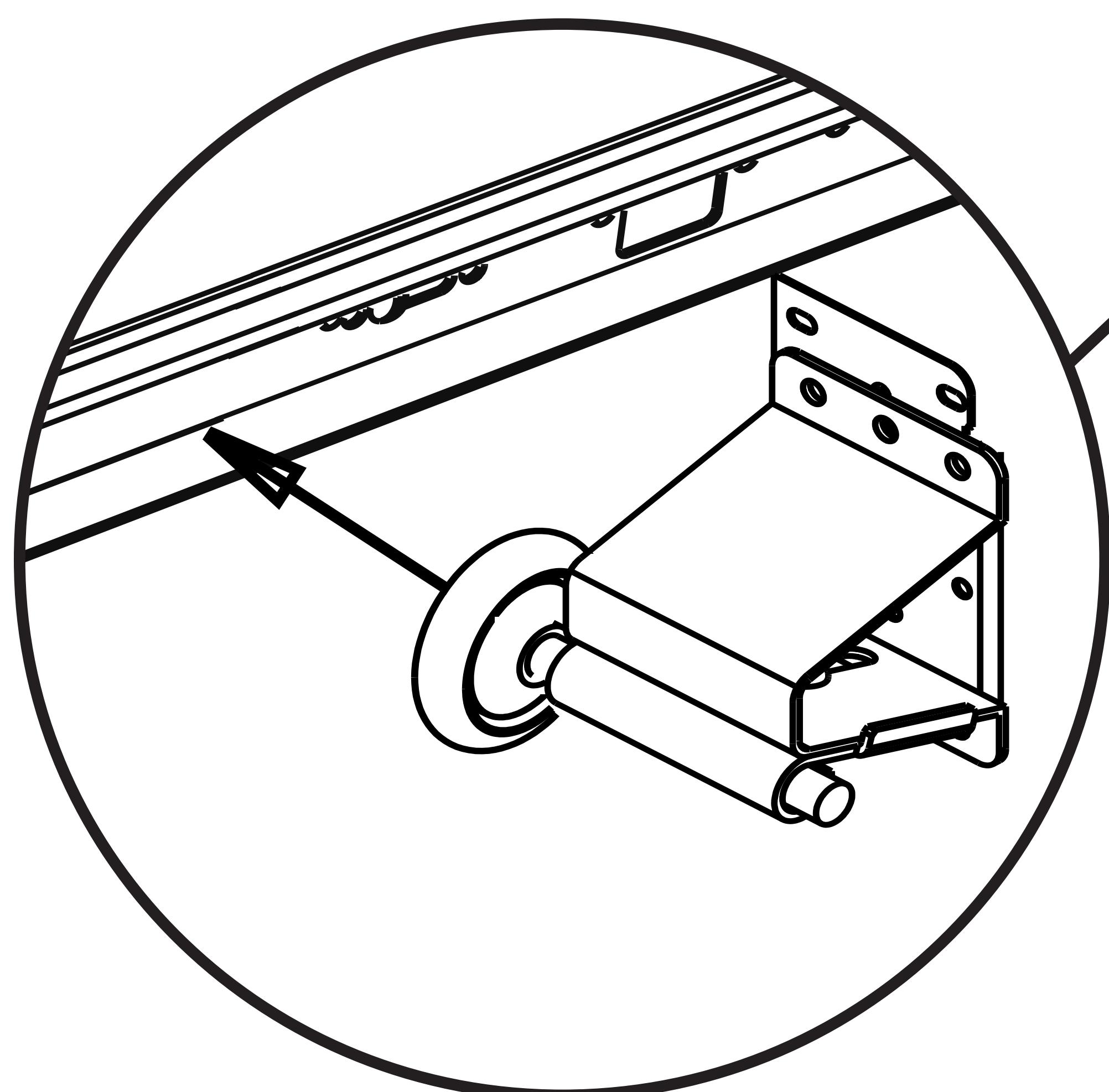
You will need for this page:



- 5** Place another roller into the other top fixture.

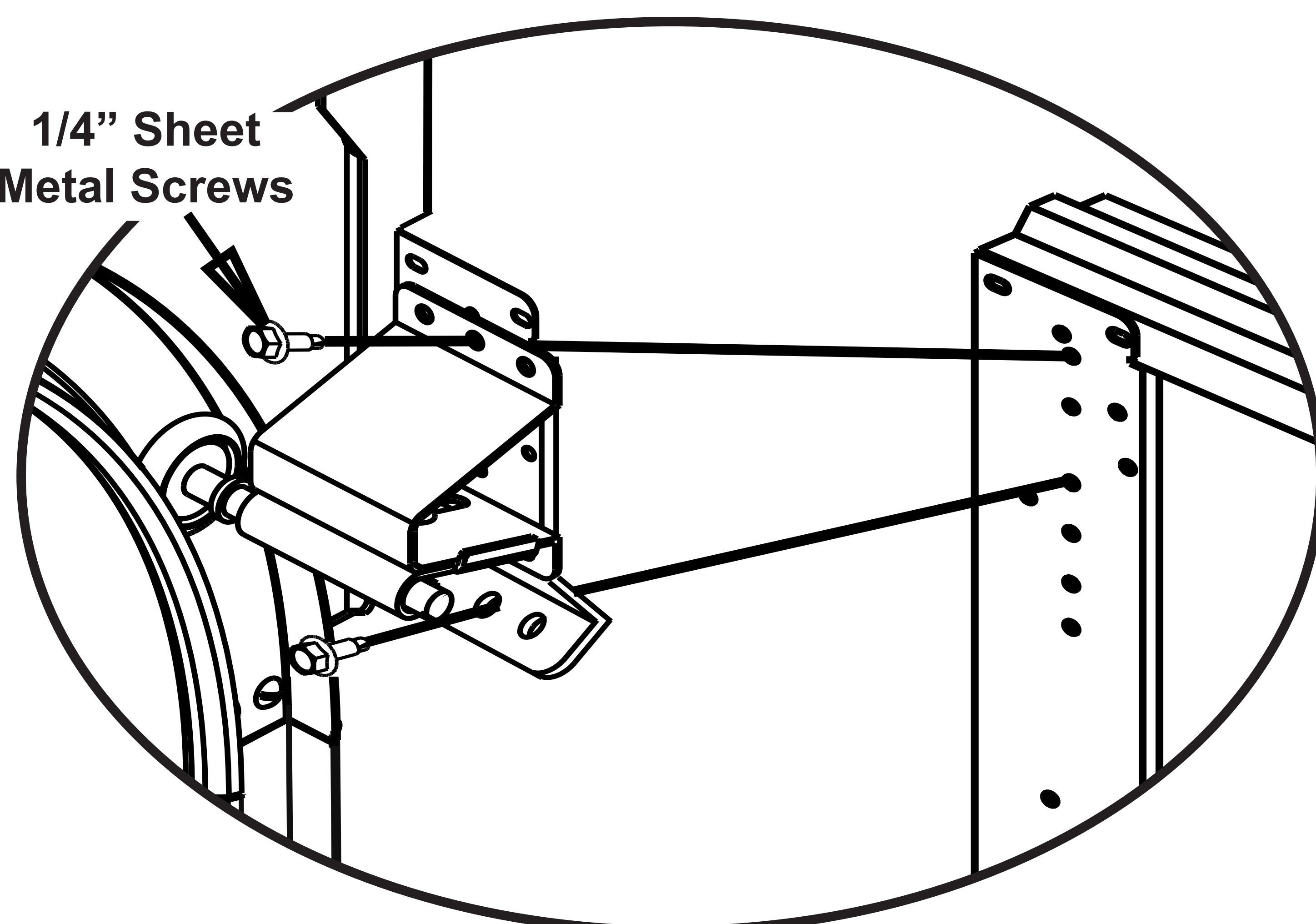


- 6** Slide the roller into the horizontal track where it is wide enough to put the roller as shown. You may have to angle it in.



- 7** Slide the roller through the track so it lines up with the top track. Attach the top fixture to the top section using 1/4" sheet metal screws.

1/4" Sheet Metal Screws

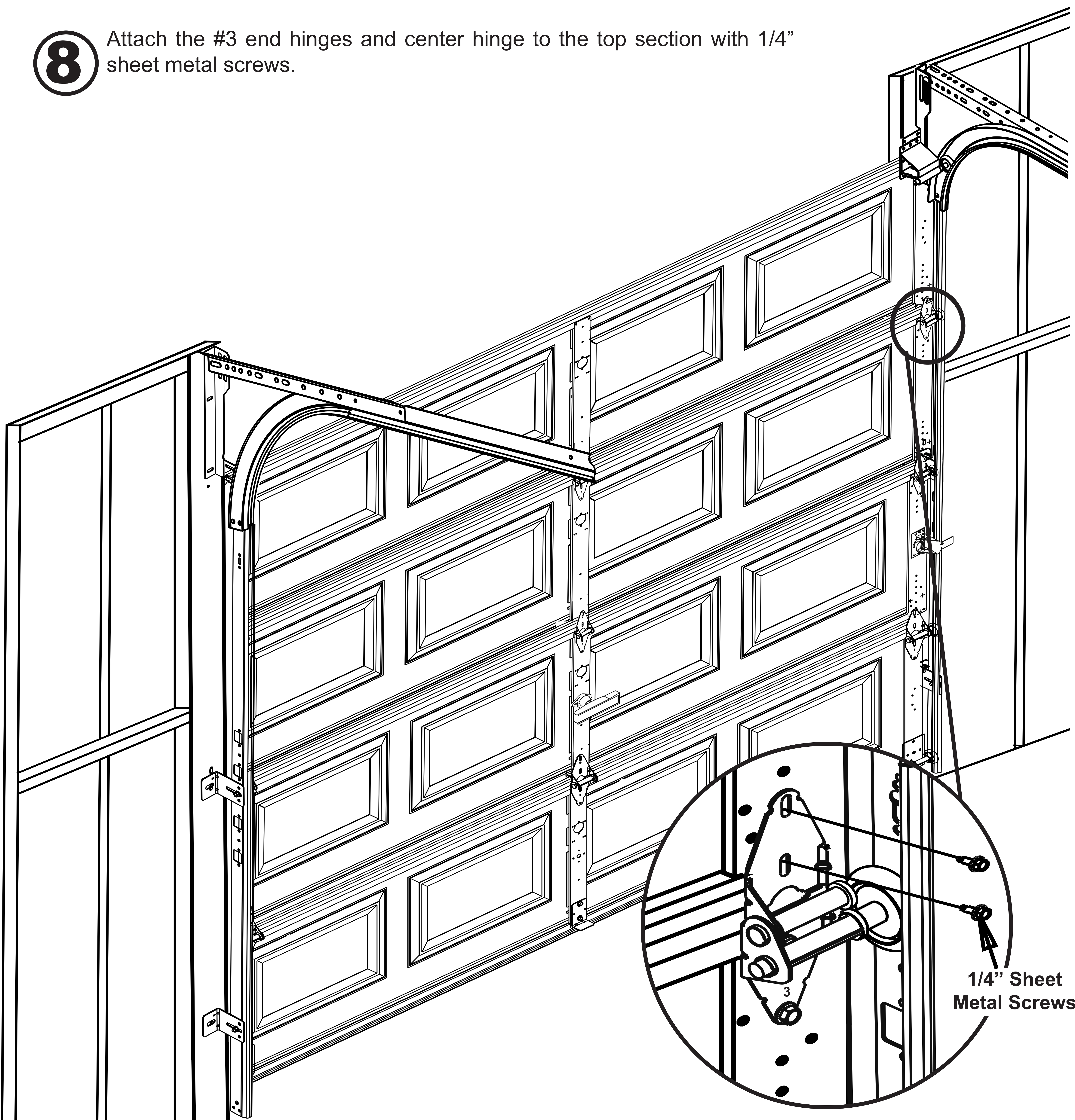


# Step 37: Insert Top Panel

You will need for this page:



- 8** Attach the #3 end hinges and center hinge to the top section with 1/4" sheet metal screws.



# Spring Assembly Preparation

**Check all spring assembly instructions and parts.**

**Warning! If there appears to be any parts missing stop here and contact your Arrow Customer Service immediately. Do not substitute parts.**

**Warning! Do not remove any factory applied spring tag or warning label! If any tags or labels are missing or unreadable, contact your Arrow Customer Service immediately.**

**Warning! Never place your fingers in or near section joints while the door is moving.**

**Take time to study the parts and identify them.**

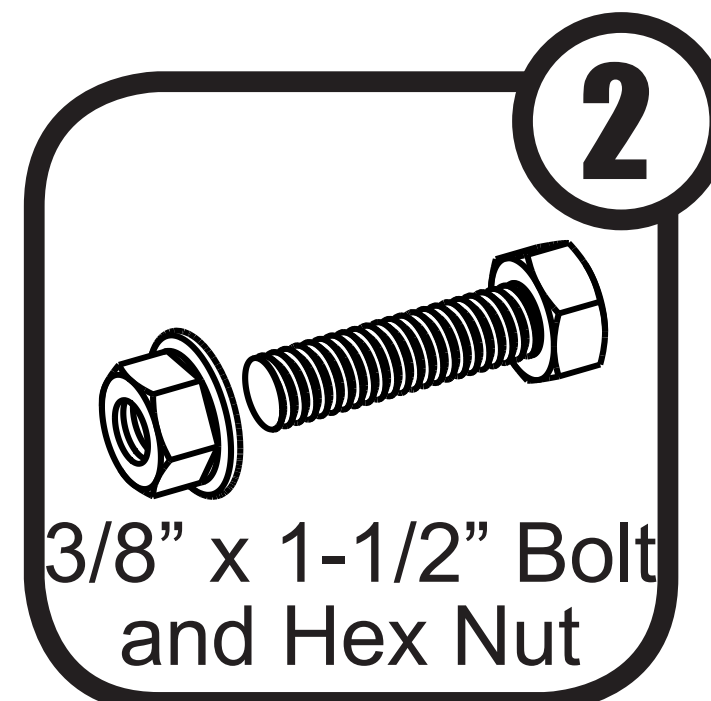
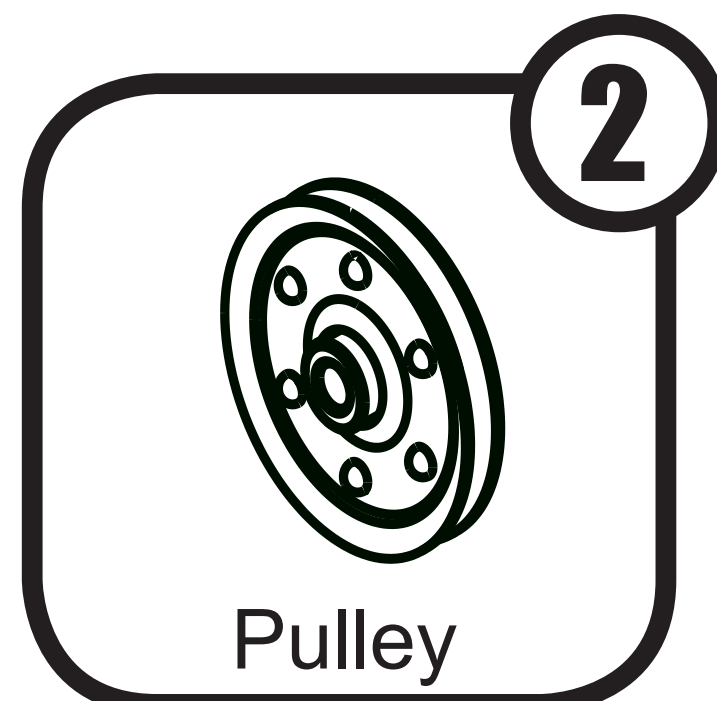
**Extension Springs:** Extension springs mount alongside the horizontal track. They stretch as the door is closed and contract as the door opens. This type of spring is always used in pairs, one on each side of the door. Both springs are the same, it will not matter which one you assemble first.

**Safety Cable:** Extension springs can cause severe damage, personal injury or even death if they are not properly restrained. In the event of a spring failure the safety cable will prevent the spring from being propelled away from the door.

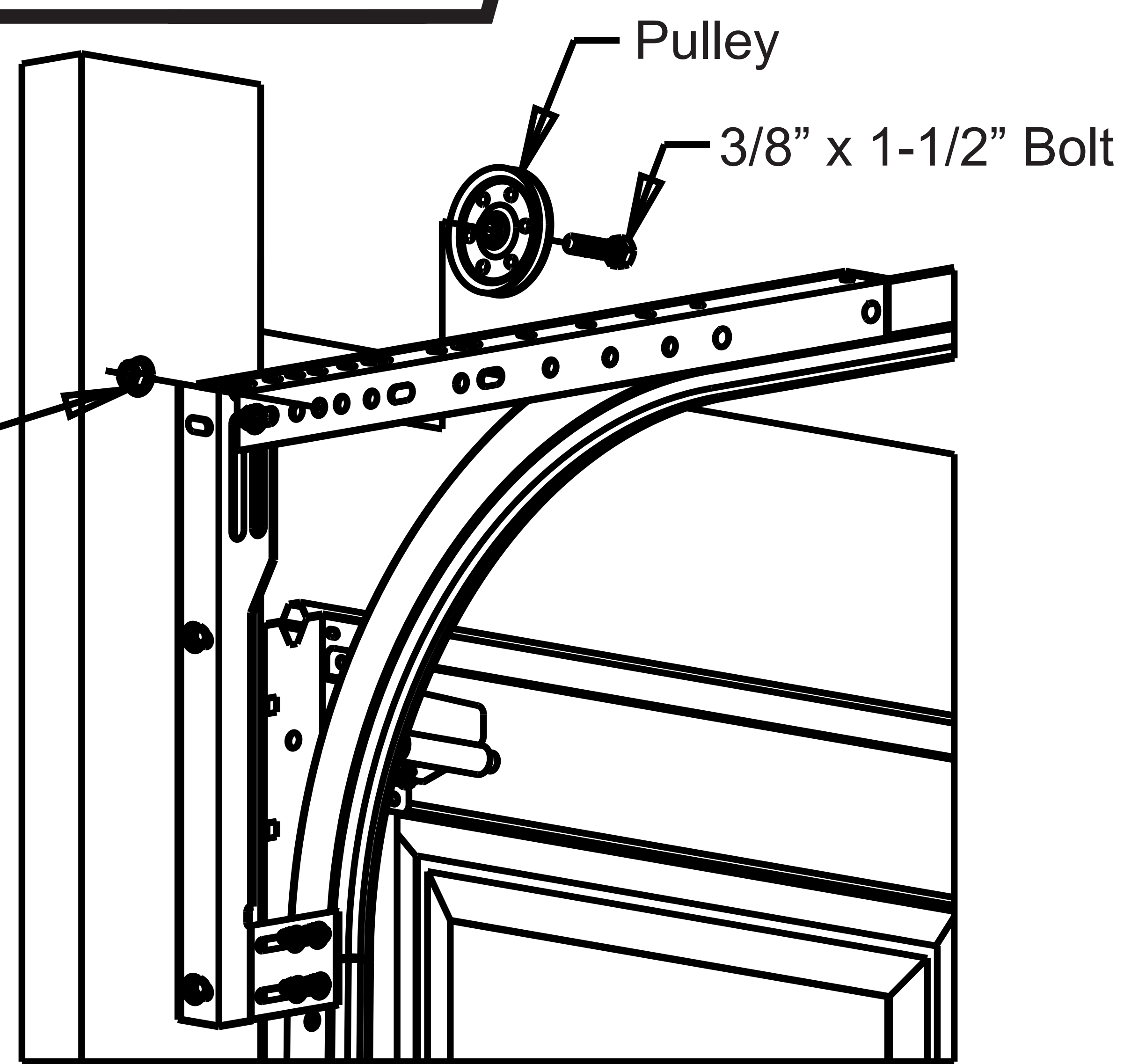


# Step 38: Extension Spring Assembly

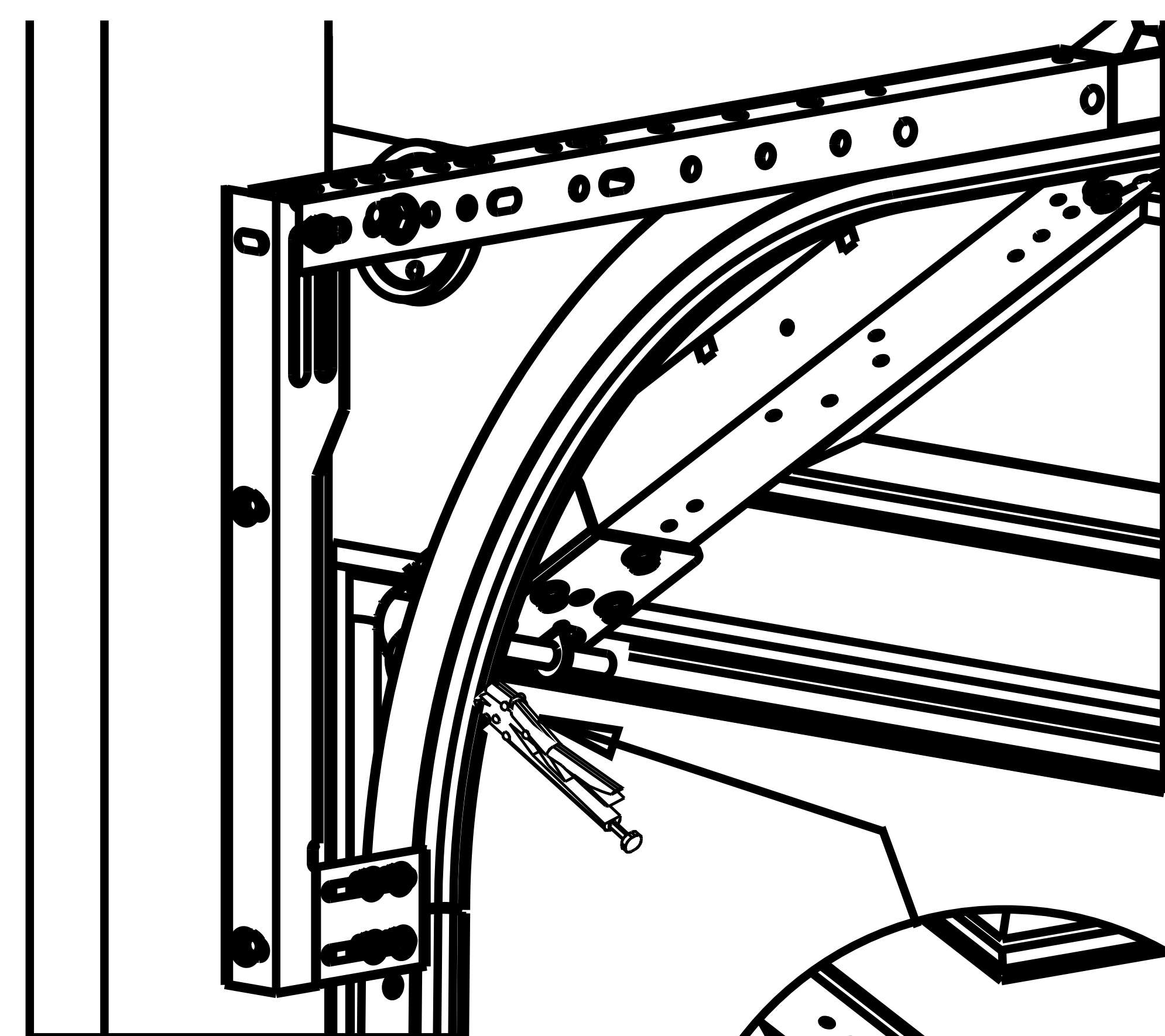
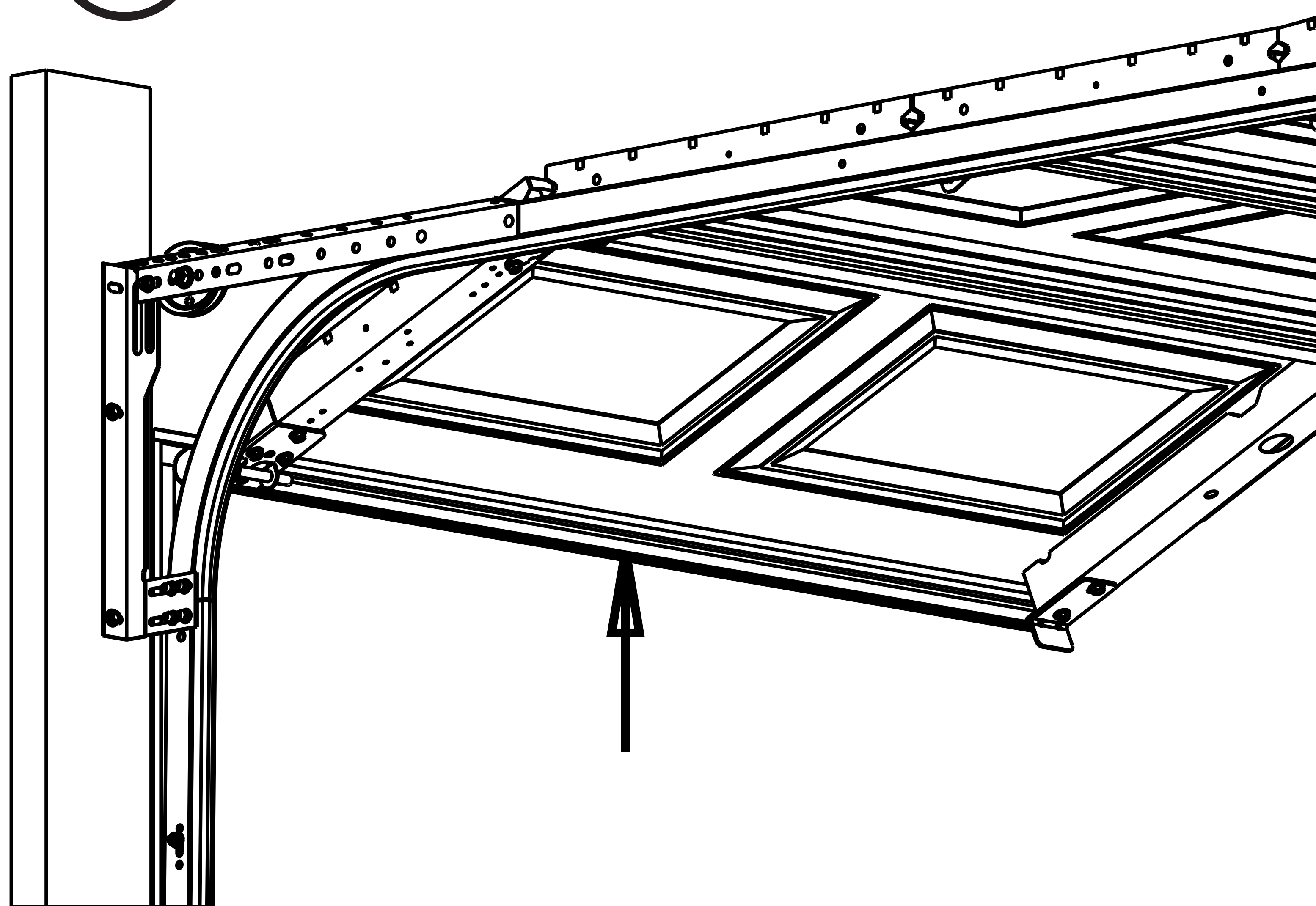
You will need for this page:



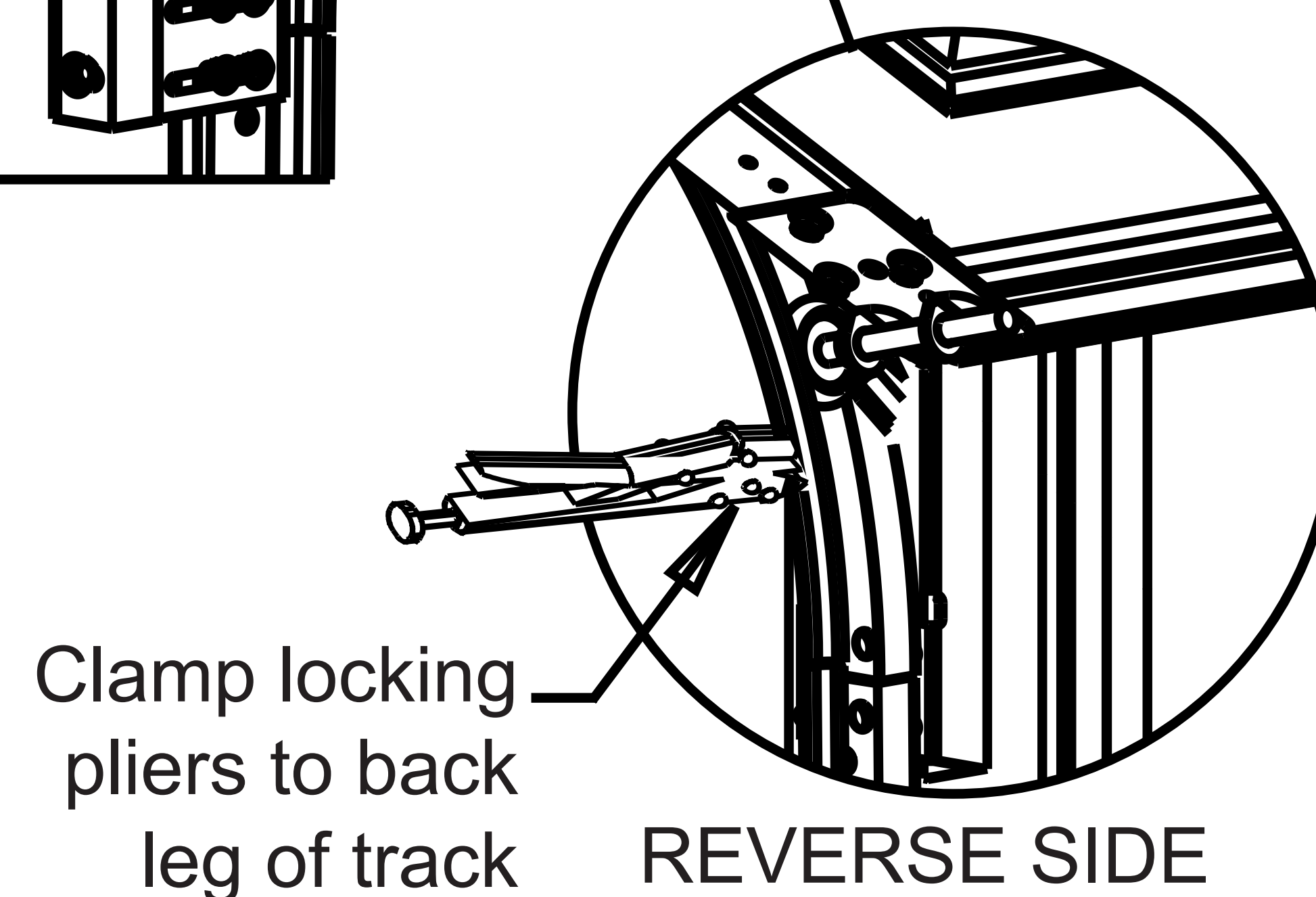
- 1** Attach pulley with a 3/8" x 1-1/2" bolt and hex nut on angle which attaches horizontal track to flag angle. Repeat this step for opposite side of door.



- 2** With a minimum of two people, raise door to fully open position.

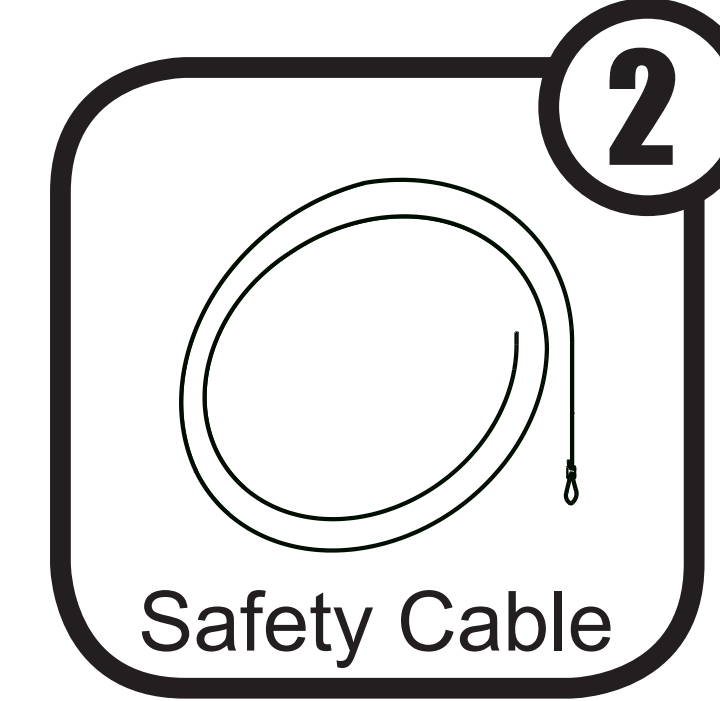
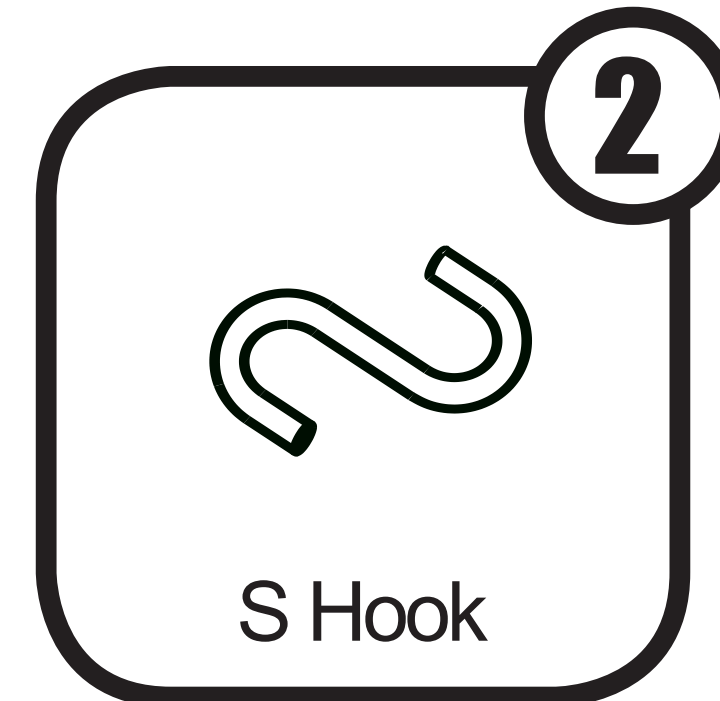
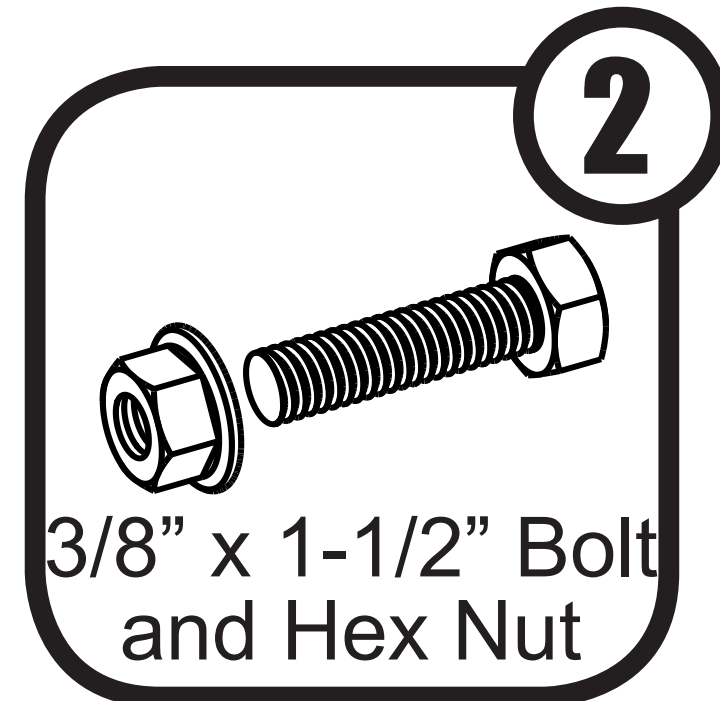
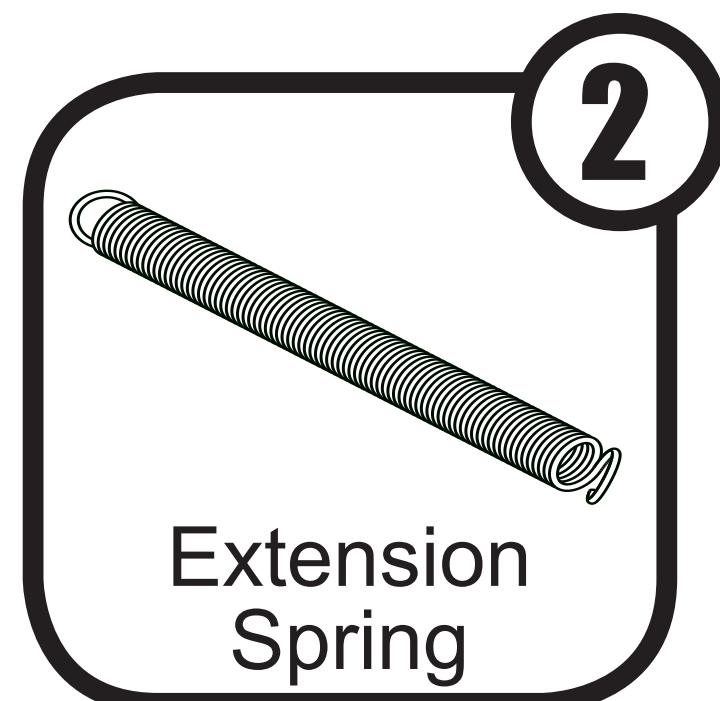
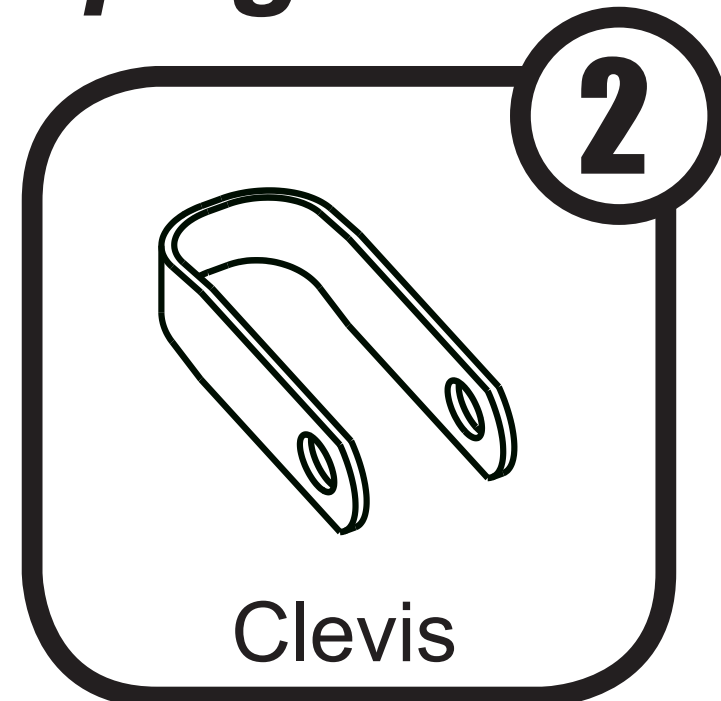
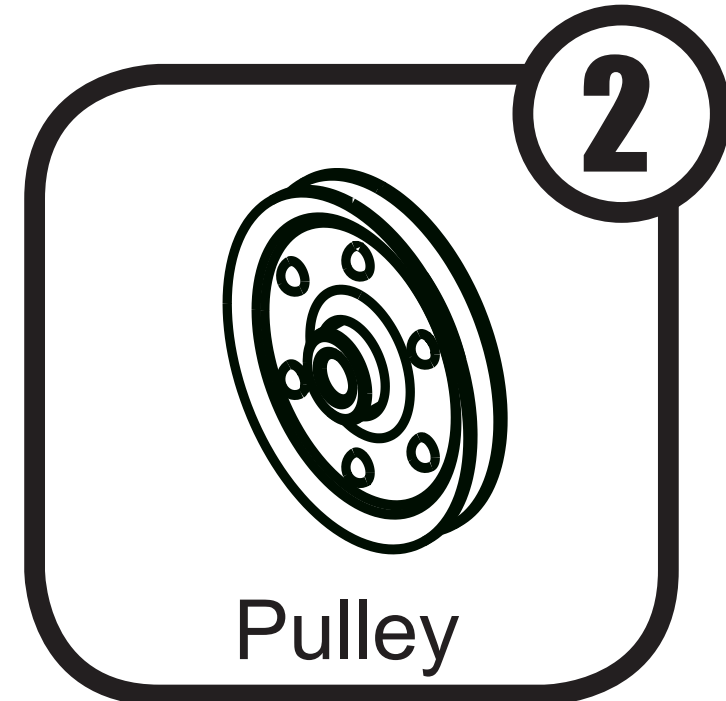


- 3** Secure the door firmly at both sides with locking pliers. Connected to the track as shown.

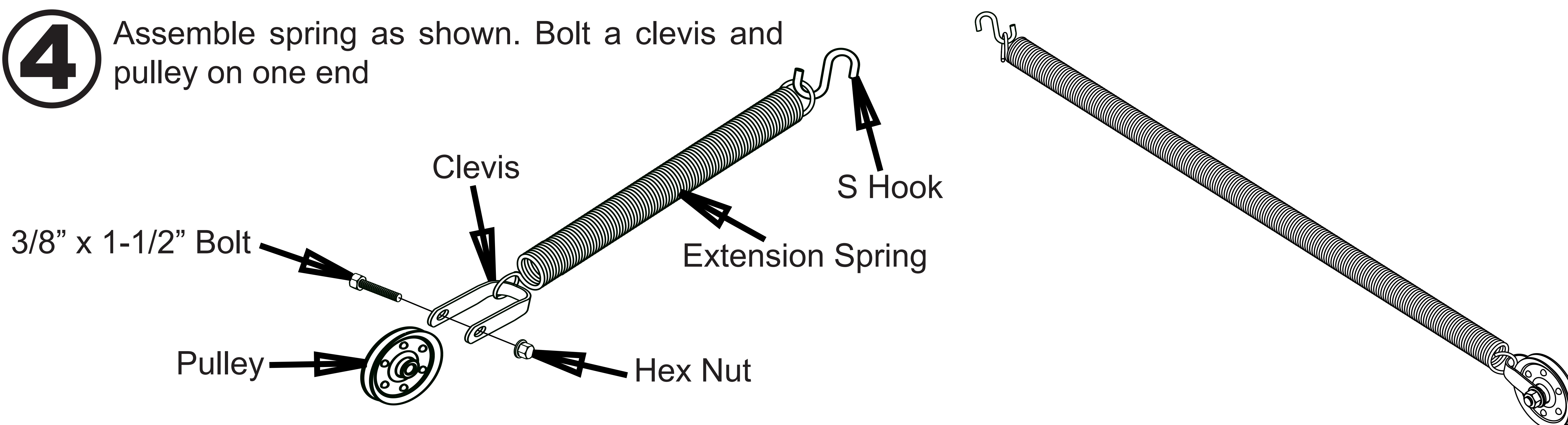


# Step 38: Extension Spring Assembly

You will need for this page:



- 4** Assemble spring as shown. Bolt a clevis and pulley on one end

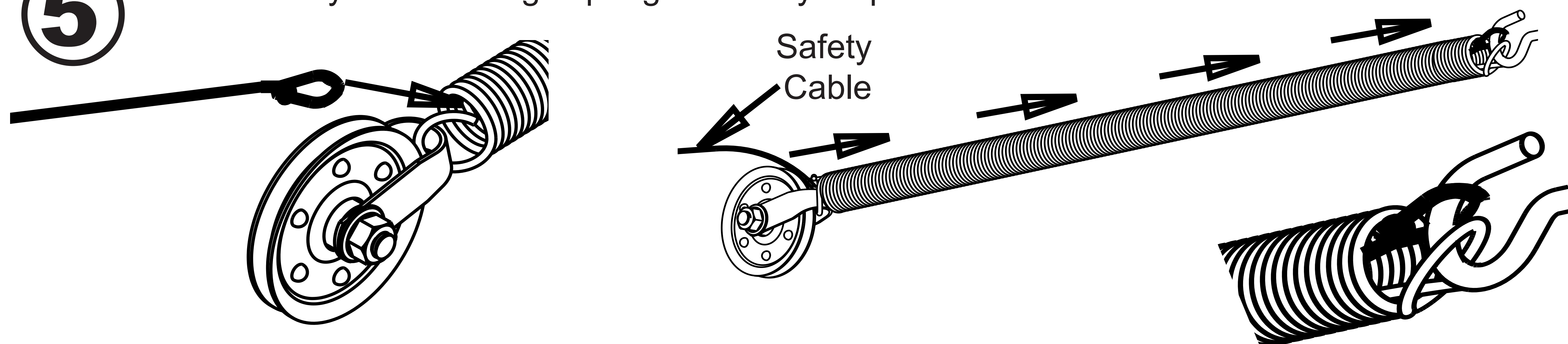


**Warning!** Extension springs can cause severe damage, personal injury or even death if they are not properly restrained. In the event of a spring failure the safety cable will prevent the spring from being propelled away from the door.

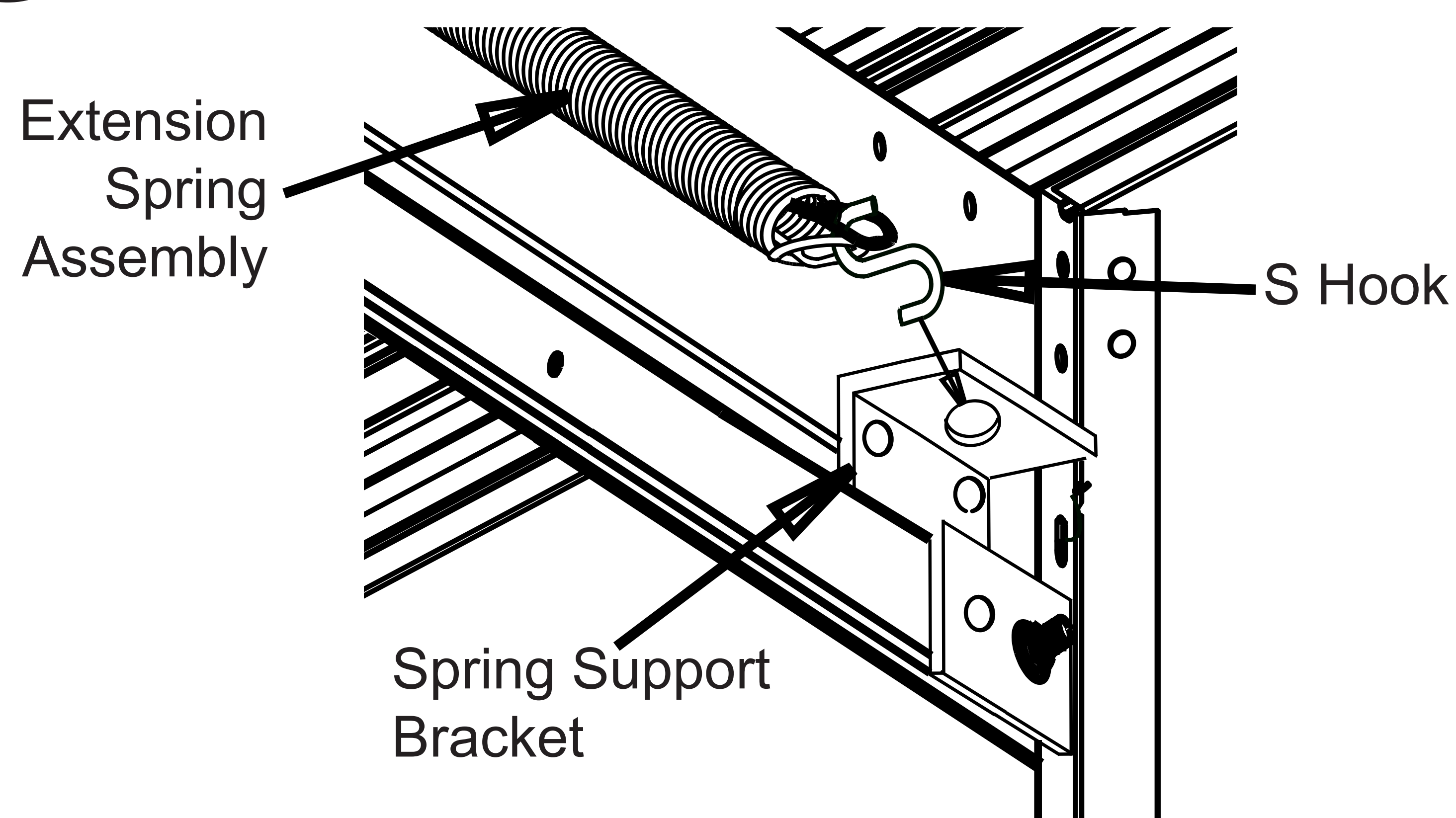
Both springs are the same, it will not matter which one you assemble first.

The spring cable is thicker than the safety cable. Be sure to use the correct cable for the appropriate step.

- 5** Thread safety cable through spring assembly. Clip the cable on the S Hook.

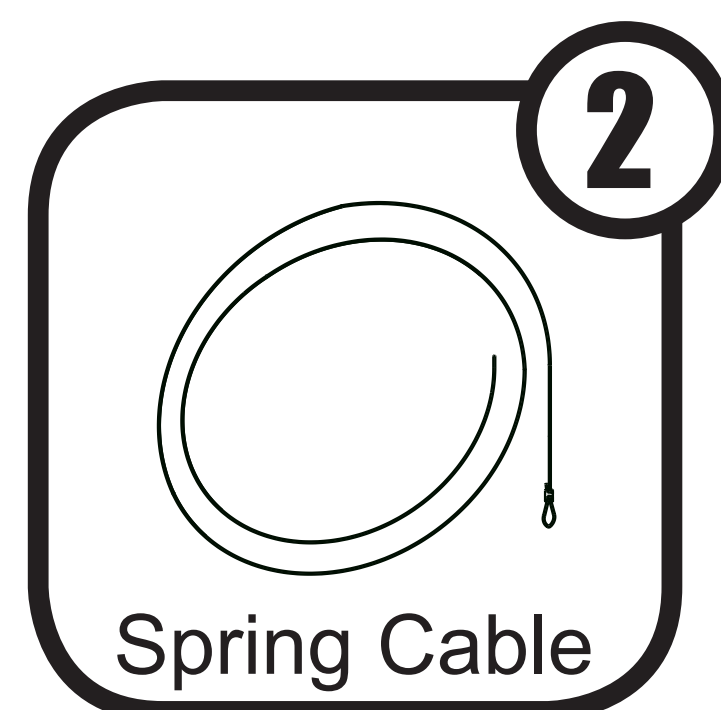


- 6** Hang the hook attached to the spring assembly end to the spring support bracket.

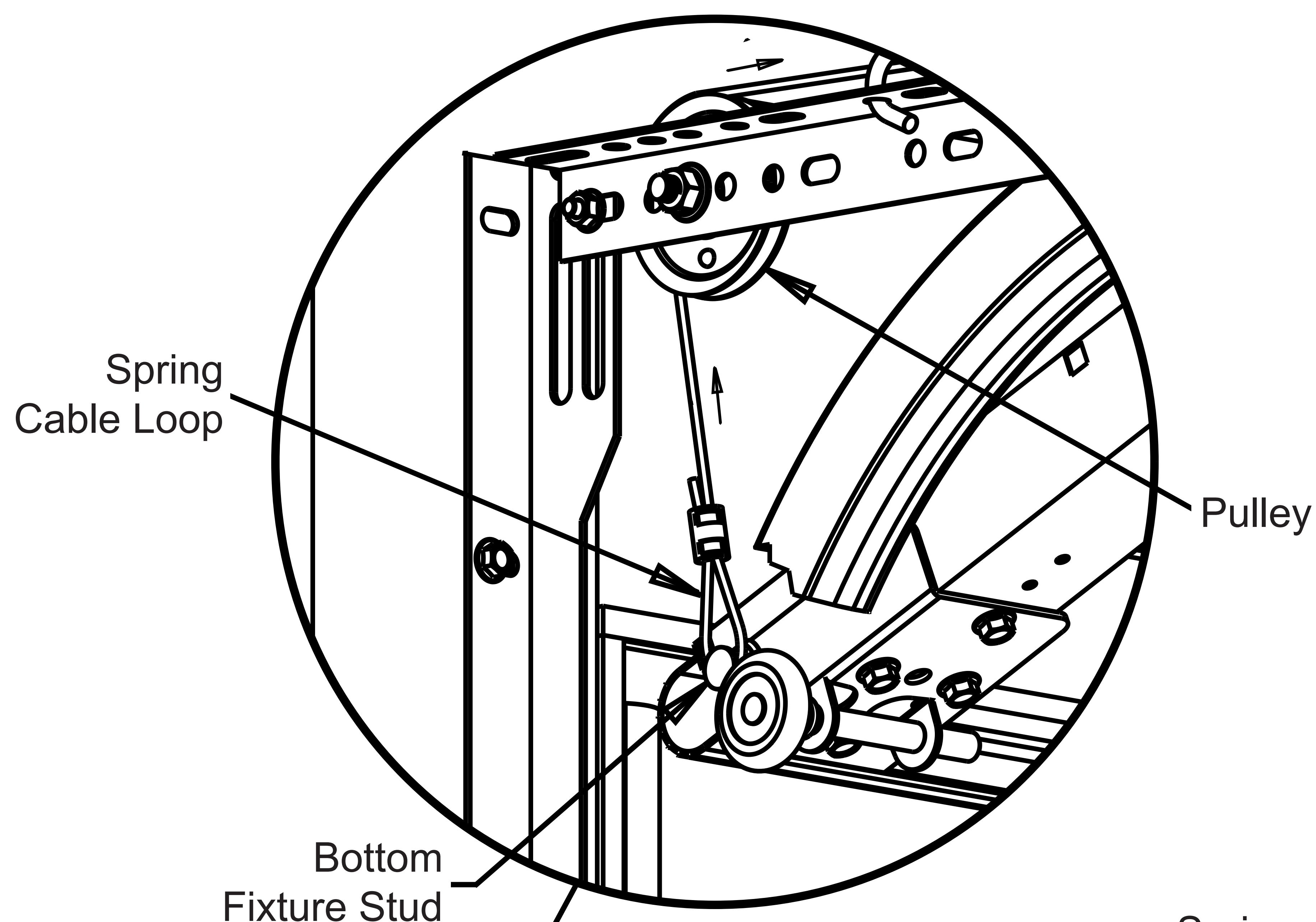


# Step 38: Extension Spring Assembly

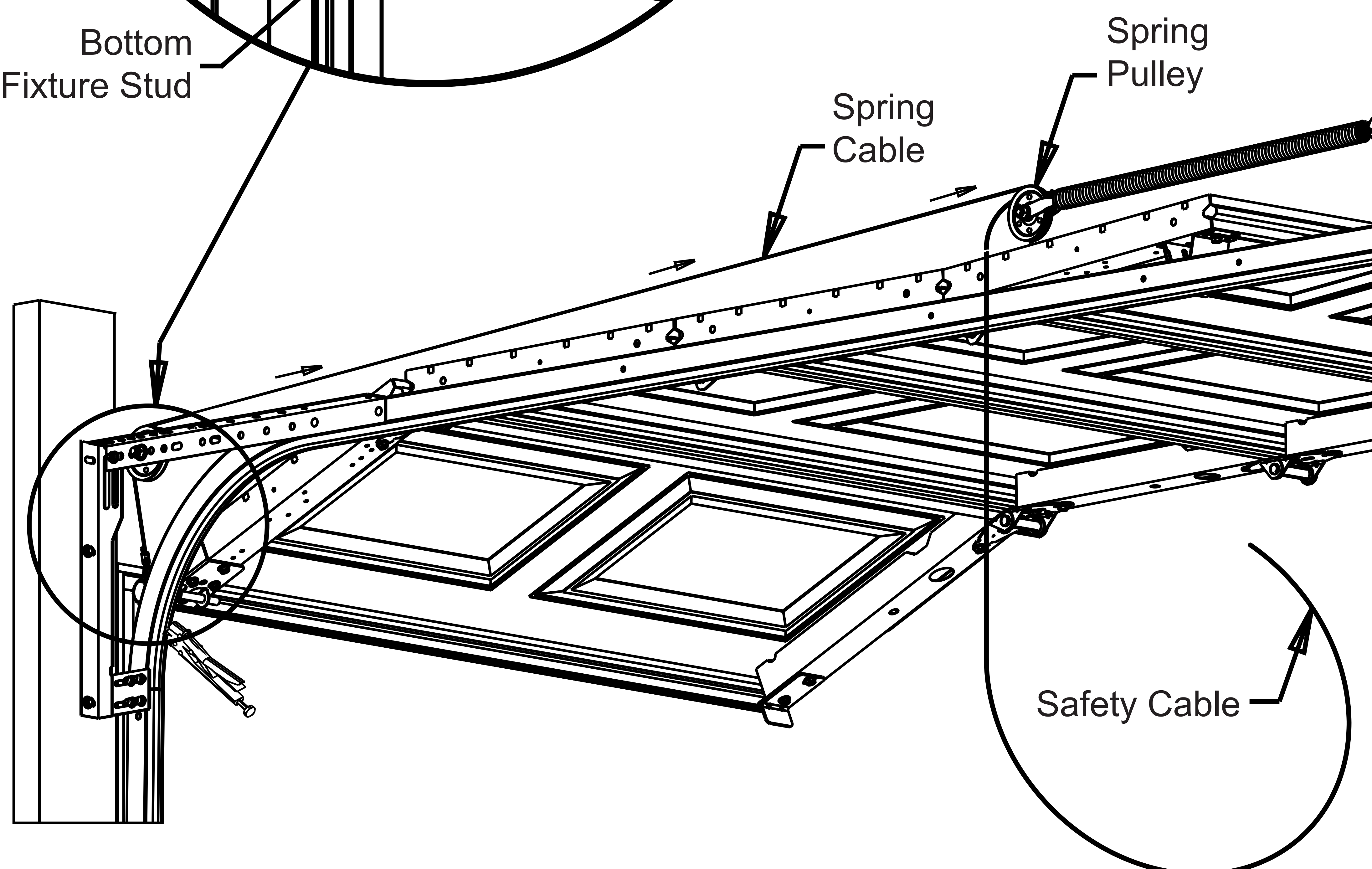
You will need for this page:



- 7** Attach spring cable loop to bottom fixture stud and thread spring cable over pulley

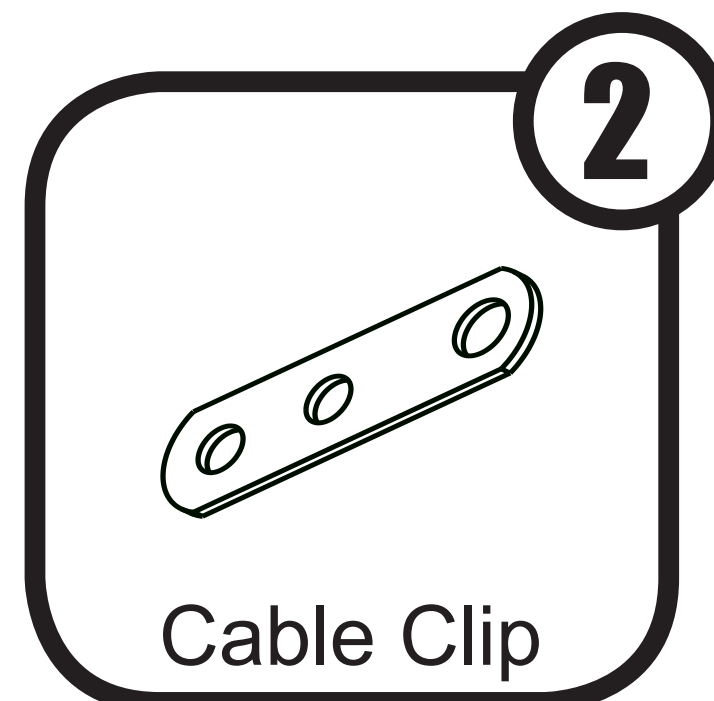
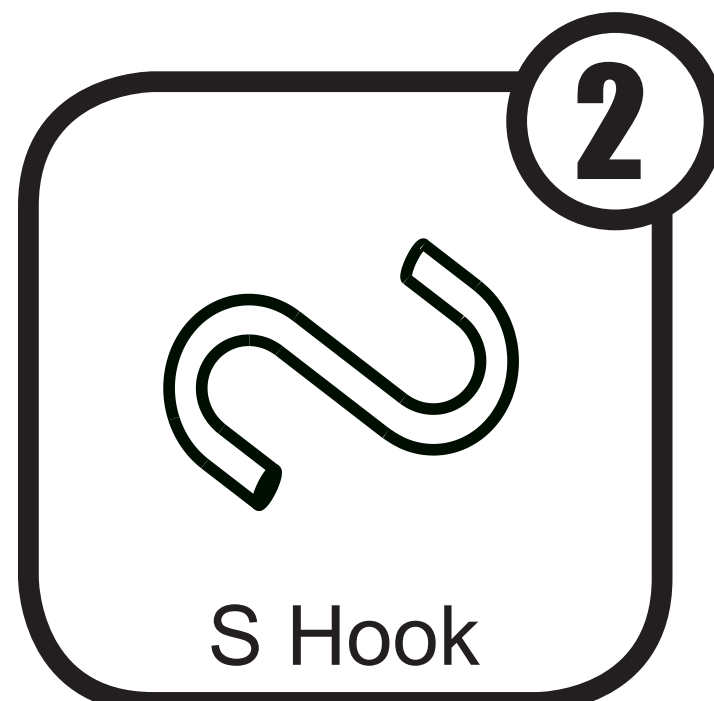


- 8** Thread spring cable around spring pulley.

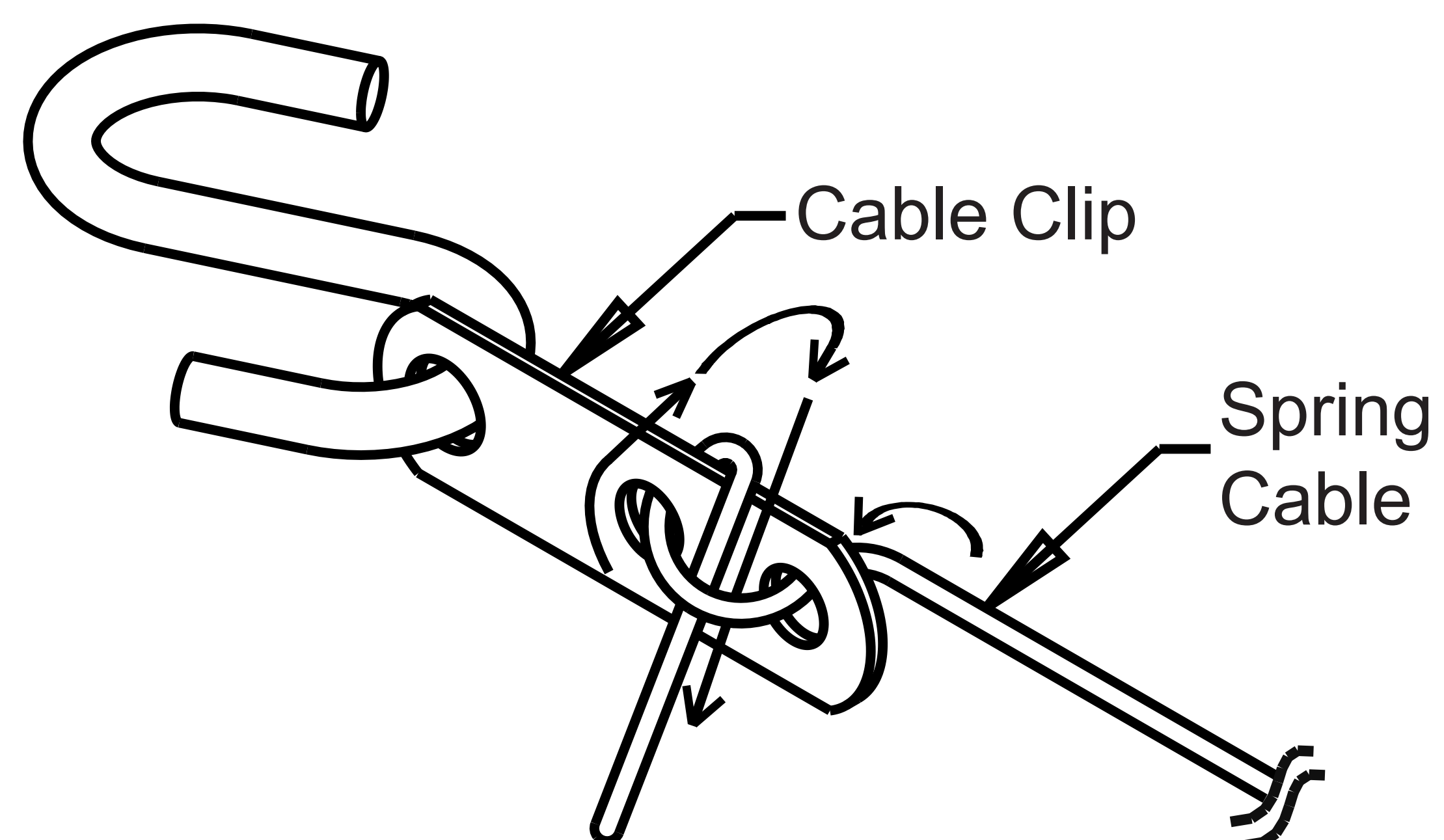


# Step 38: Extension Spring Assembly

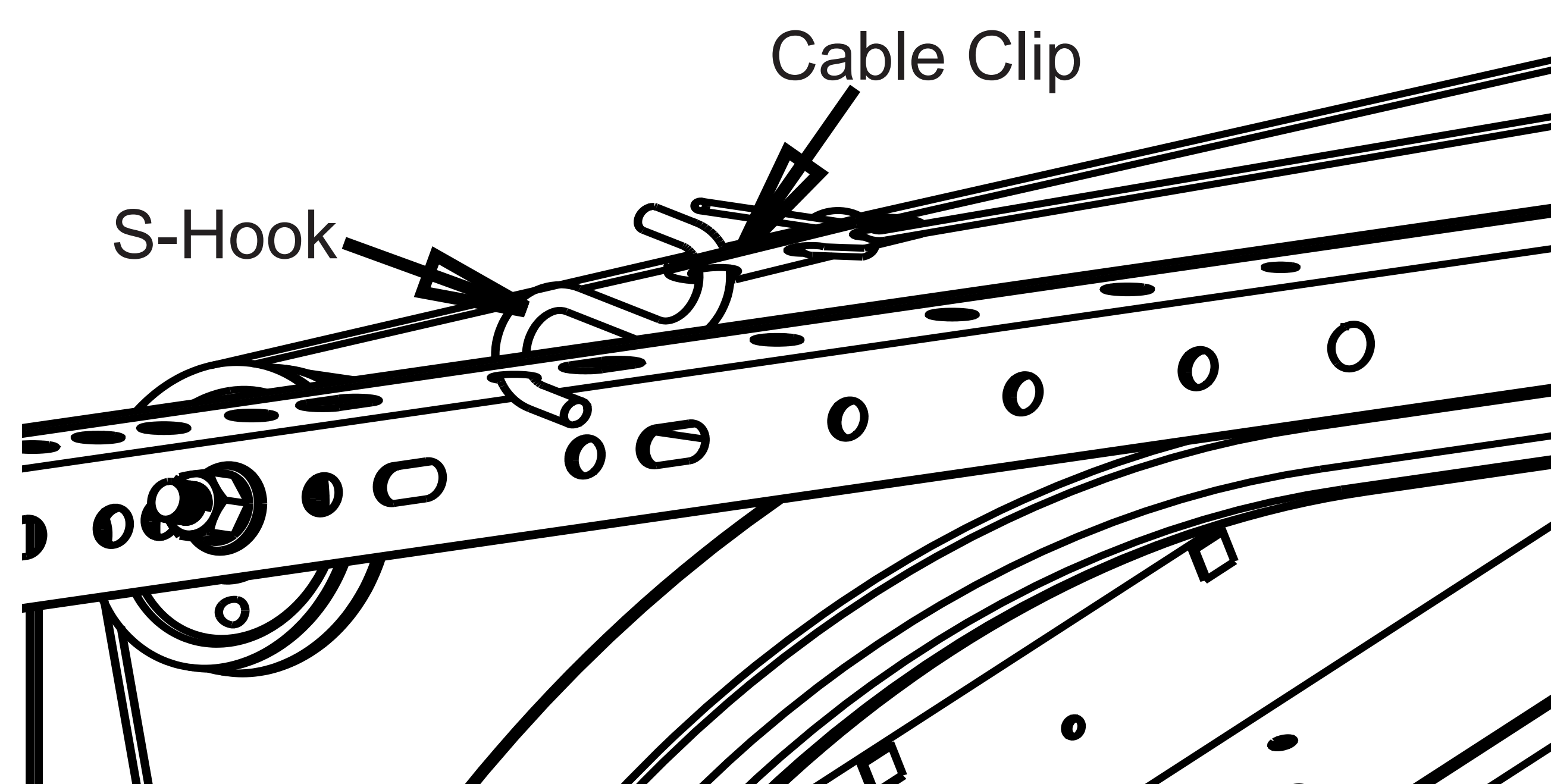
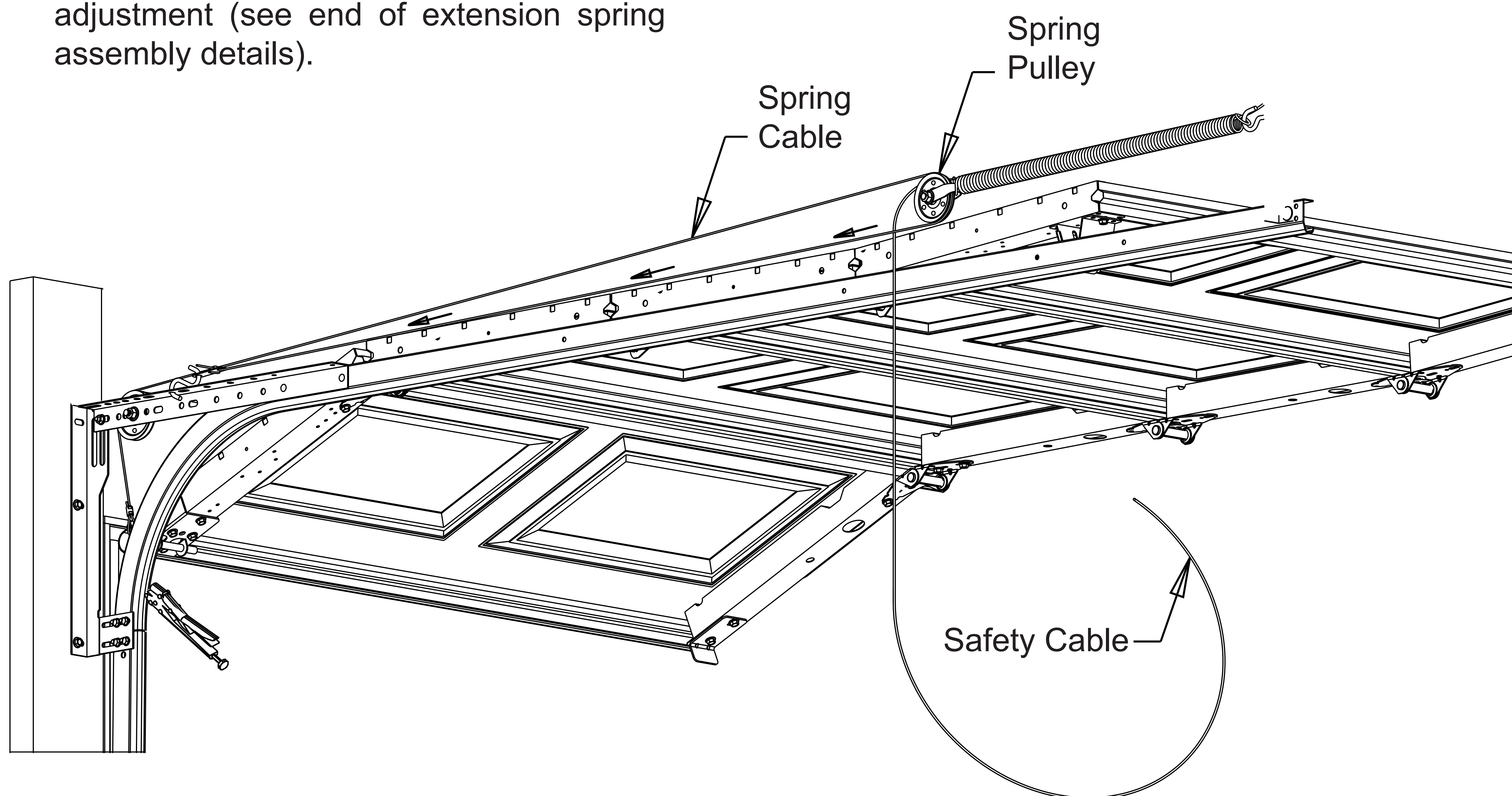
You will need for this page:



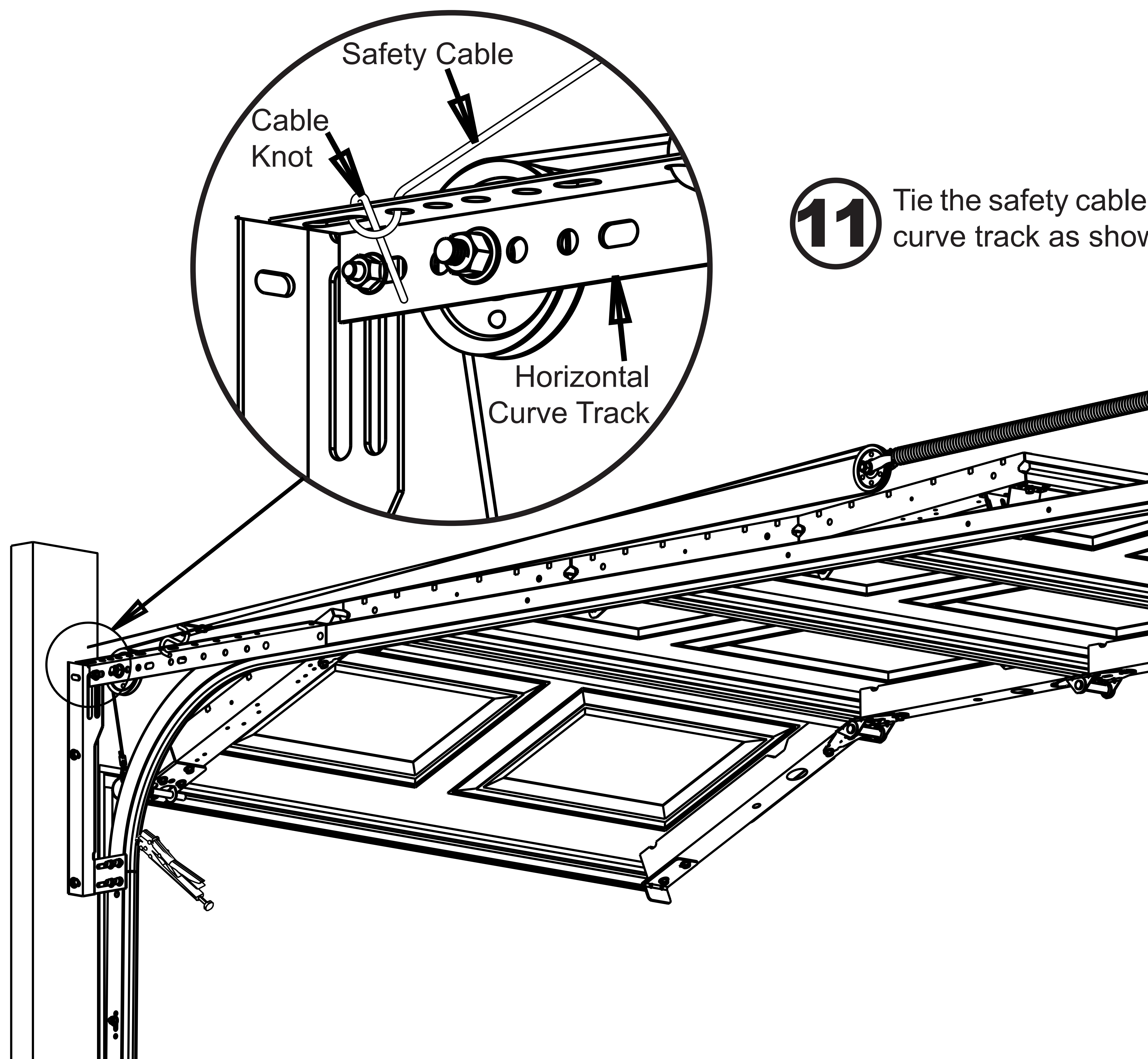
- 9** Tie a cable clip to the spring cable and connect it to an S-hook.



- 10** Stretch spring 2"-3" and clip the S-hook to a hole in the horizontal angle. This is referred to as initial stretch and may need adjustment (see end of extension spring assembly details).



# Step 38: Extension Spring Assembly



**11** Tie the safety cable securely to the horizontal curve track as shown.

Repeat steps 4 through 11 for the other spring.

## Lowering the door and spring adjustment.

**Warning!** Until all adjustments are completed, always assume you will have to physically support the full weight of the door. Make sure adequate help is available.

**Warning!** Never place your fingers in or near section joints while the door is moving.

**Warning!** All spring component parts whether part of the spring assembly, attached to the door, or attached to the wall are now under tension and are extremely dangerous.

**Warning!** Spring adjustments from this point onward must be performed in accordance with all warnings and directions as previously stated.

**Warning!** Spring adjustments can only be performed when door is in fully open position and door restraints are applied to tracks.

With one person holding door in the fully open position, carefully remove locking pliers.

Slowly lower door, testing the balance of the springs. If door does not lift off of the floor by itself, or does not roll back to the floor when not supported, it is properly counterbalanced.

If door lifts off of floor by itself, the springs are too strong and the initial stretch must be reduced.

If door rolls back to floor, the springs are too weak and the initial stretch must be increased.

## Finalize the track adjustments

Operate door through one full cycle. Check door stops and top fixture for proper seal. If door is not functioning correctly, check for binding against jamb, header or tracks.