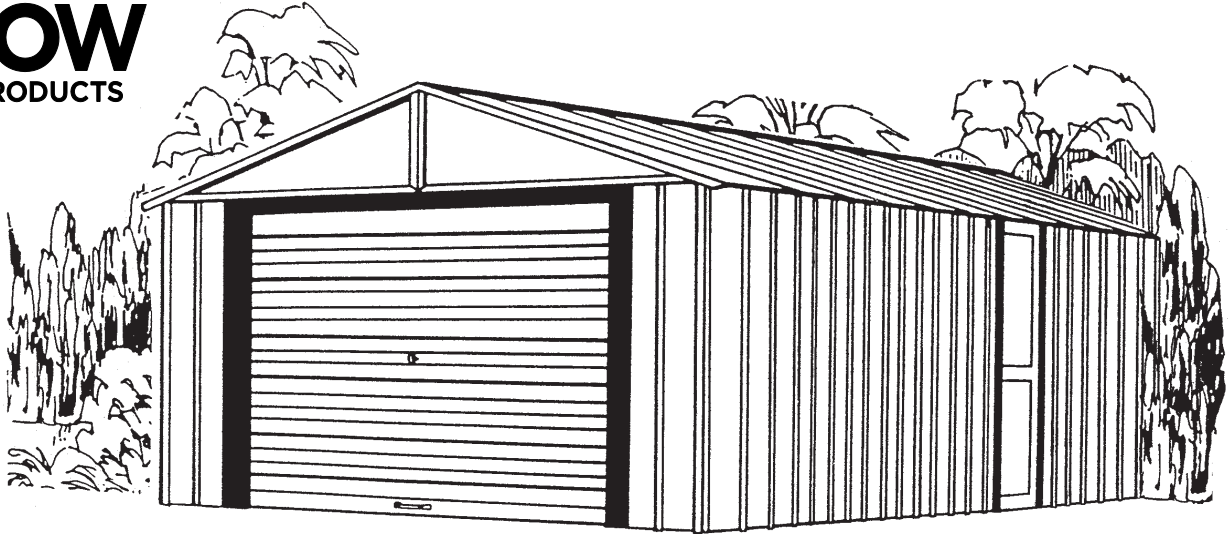


Owner's Manual & Assembly Instructions

BW01b



Model No. **BGR1210FG** **BGR1217FG**
BGR1224FG **BGR1231FG**



Missing Parts, Questions on Assembly?

Call: 1-800-851-1085 or assist@arrow-sheds.com

Do not return to dealer, they are not equipped to handle your requests.

726260919

Storage Area:	12'x10'	110 Sq. Ft.	801 Cu. Ft.	(10,2 m ²	22,7 m ³)
	12'x17'	194 Sq. Ft.	1419 Cu. Ft.	(18,0 m ²	40,2 m ³)
	12'x24'	278 Sq. Ft.	2037 Cu. Ft.	(25,8 m ²	57,7 m ³)
	12'x31'	362 Sq. Ft.	2655 Cu. Ft.	(33,6 m ²	75,2 m ³)



CAUTION: SOME PARTS HAVE SHARP EDGES. CARE MUST BE TAKEN WHEN HANDLING THE VARIOUS PIECES TO AVOID A MISHAP. FOR SAFETY SAKE, PLEASE READ SAFETY INFORMATION PROVIDED IN THIS MANUAL BEFORE BEGINNING CONSTRUCTION. WEAR GLOVES WHEN HANDLING METAL PARTS.

BUILDING DIMENSIONS

* Size rounded off to the nearest foot

*Approx. Size	Base Size	Exterior Dimensions (Roof Edge to Roof Edge)			Interior Dimensions (Wall to Wall)		
		Width	Depth	Height	Width	Depth	Height
12' x 10'	141 1/8" x 111 3/4"	146 1/8"	117"	103 1/4"	141 1/8"	111 3/4"	102"
12' x 17'	141 1/8" x 198"	146 1/8"	203 1/4"	103 1/4"	141 1/8"	198"	102"
12' x 24'	141 1/8" x 284 1/4"	146 1/8"	289 1/2"	103 1/4"	141 1/8"	284 1/4"	102"
12' x 31'	141 1/8" x 370 1/2"	146 1/8"	375 3/4"	103 1/4"	141 1/8"	370 1/2"	102"
3,7 m x 3,0 m	358,5 cm x 283,8 cm	371,2 cm	297,2 cm	262,3 cm	358,5 cm	283,8 cm	259,1 cm
3,7 m x 5,2 m	358,5 cm x 502,9 cm	371,2 cm	516,3 cm	262,3 cm	358,5 cm	502,9 cm	259,1 cm
3,7 m x 7,3 m	358,5 cm x 722,0 cm	371,2 cm	735,3 cm	262,3 cm	358,5 cm	722,0 cm	259,1 cm
3,7 m x 9,4 m	358,5 cm x 941,1 cm	371,2 cm	954,4 cm	262,3 cm	358,5 cm	941,1 cm	259,1 cm

BEFORE YOU BEGIN....

BW02

Owner's Manual

Before beginning construction, check local building codes regarding footings, location and other requirements. Study and understand this owner's manual.

Important information and helpful tips will make your construction easier and more enjoyable.

Assembly Instructions: Instructions are supplied in this manual and contain all appropriate information for your building model. Review all instructions before you begin, and during assembly, follow the step sequence carefully for successful results.

Flooring and Anchoring: Your storage building must be anchored to prevent wind damage. A base is necessary to construct a square and level building. Anchoring and base materials are not included with your building. We recommend the use of an Arrow Anchoring Kit as an effective method of securing your building to the ground (Available by mail order or at your local dealer) or you may construct a base and anchoring system of your choice. Your assembly instructions provide information on a few methods commonly used to secure and level a storage building.

Parts and Parts List: Check to be sure that you have all the necessary parts for your building.

- All part numbers can be found on the parts. All of these numbers (before the -) must agree with the numbers on the parts list.

- If you find that a part is missing, include the model number of your building and contact:

Arrow Shed, LLC Customer Service Department
1101 North 4th Street Breese, Illinois 62230

1-800-851-1085 or assist@arrowsheds.com

- Separate contents of the carton by the part number while reviewing parts list. The first few steps show how to join related parts to make larger sub assemblies which will be used later.

- Familiarize yourself with the hardware and fasteners for easier use during construction. These are packaged within the carton. Note that extra fasteners have been supplied for your convenience.

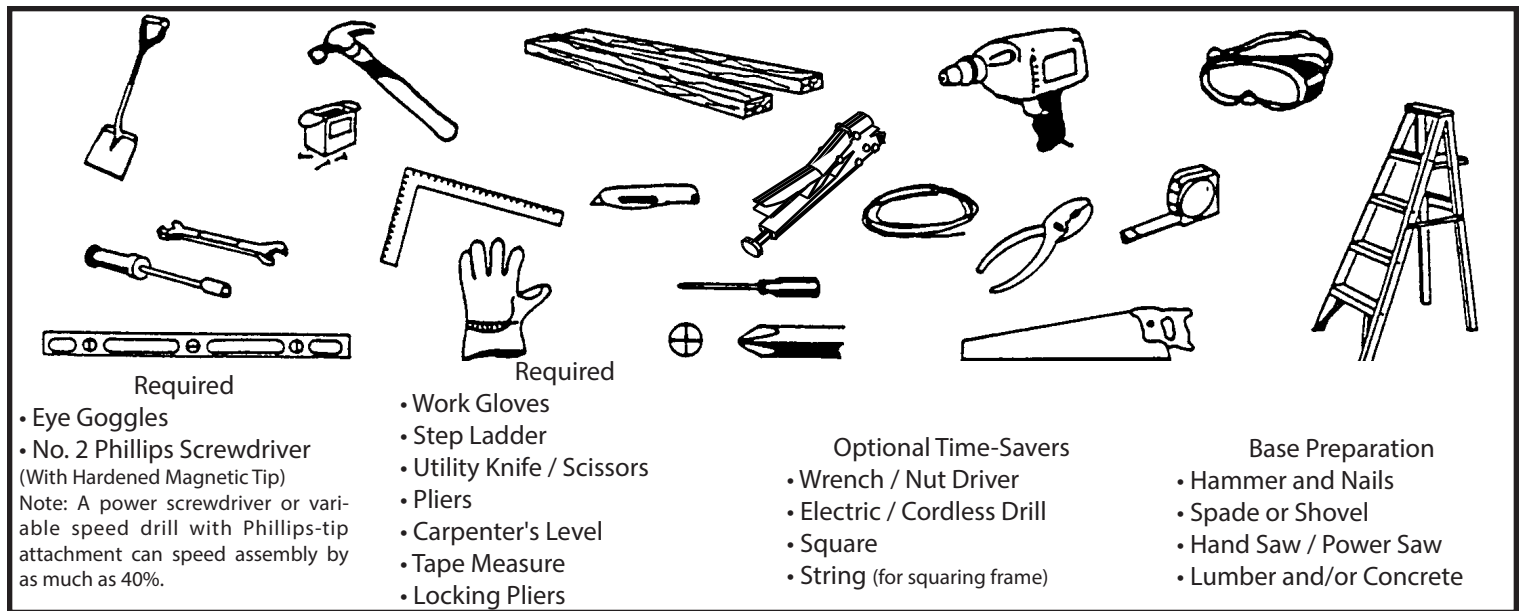
PLAN AHEAD....

BW04

Watch the Weather: Be sure the day you select to install your building is dry and calm. Do not attempt to assemble your building on a windy day. Be careful on wet or muddy ground.

Teamwork: Whenever possible, two or more people should work together to assemble your building. One person can position parts or panels while the other is able to handle the fasteners and the tools.

Tools and Materials: These are some basic tools and materials you will need for the construction of your building. Decide which method of anchoring and the type of base you wish to use in order to form a complete list of the materials you will need.



Selecting and Preparing Your Site: Before assembly, you will want to decide on a location for your building. The best location is a level area with good drainage.

- Allow enough working space for ease of moving parts into position during assembly. Be sure there will be enough space at entrance for doors to open fully and enough space around the building to be able to fasten the panel screws from the outside.

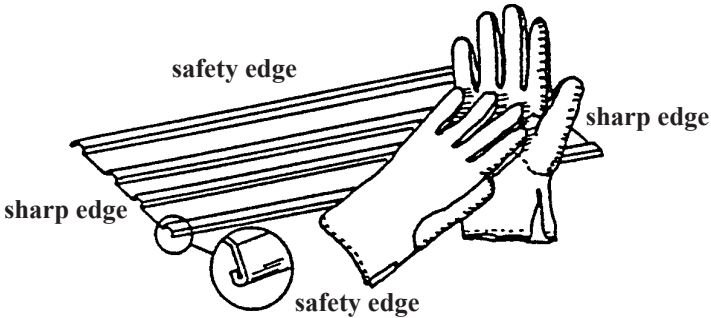
- Before you begin the first steps in assembling your parts, a base should be constructed and an anchoring system should be ready to use.

SAFETY FIRST...

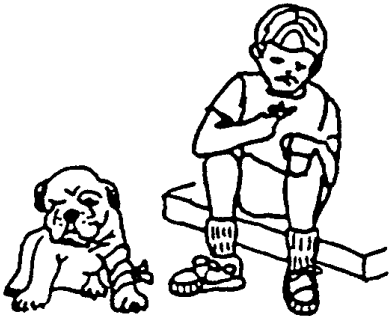
A05

Safety precautions are important to follow throughout the construction of your building.

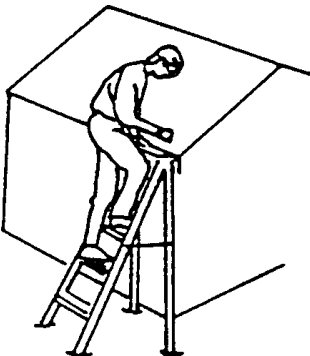
•Care must be taken when handling various pieces of your building since some contain sharp edges. Please wear work gloves, eye protection and long sleeves when assembling or performing any maintenance on your building.



•Keep children and pets away from worksite to avoid distractions and any accidents which may occur.



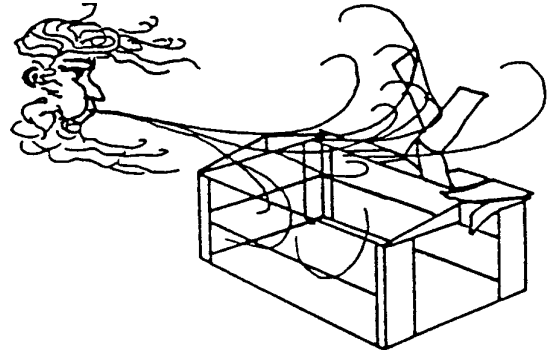
•Never concentrate your total weight on the roof of the building. When using a step ladder make sure that it is fully open and on even ground before climbing on it.



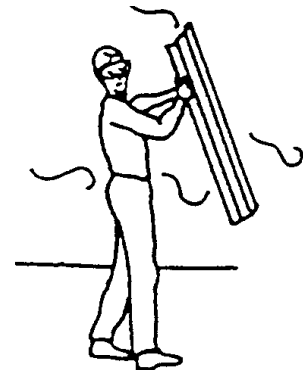
•Practice caution with the tools being used in the assembly of this building. Be familiar with the operation of all power tools.



•Do not attempt to assemble the building if parts are missing because any building left partially assembled may be seriously damaged by light winds. Call 1-800-851-1085 or assist@arrowsheds.com



•Do not attempt to assemble the building on a windy day, because the large panels acting as a "sail", can be whipped about by the wind making construction difficult and unsafe.



CARE & MAINTENANCE....

BW05

Finish: For long lasting finish, periodically clean and wax the exterior surface. Touch-up scratches as soon as you notice them on your unit. Immediately clean the area with a wire brush; wash it and apply touch-up paint per manufacturer's recommendation.

Roof: Keep roof clear of leaves and snow with long handled, soft-bristled broom. Heavy amounts of snow on roof can damage building making it unsafe to enter.

Doors: Always keep the door tracks clear of dirt and other debris that prevent them from sliding easily. Lubricate door track annually with furniture polish or silicone spray. Keep doors closed and locked to prevent wind damage.

Fasteners: Use all washers supplied to protect against weather infiltration and to protect the metal from being scratched by screws. Regularly check your building for loose screws, bolts, nuts, etc. and retighten them as necessary.

Moisture: A plastic sheet (vapor barrier) placed under the entire floor area with good ventilation will reduce condensation.

Other Tips....

- Wash off inked part numbers on coated panels with soap and water.
- Silicone caulking may be used for watertight seals throughout the building.

Do not store swimming pool chemicals in your building. Combustibles and corrosives must be stored in air tight approved containers.

Keep this Owner's Manual and Assembly Instructions for future reference.

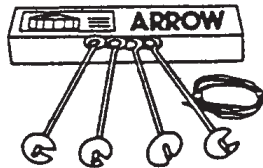
ACCESSORIES...

BW06 Web

ANCHOR KITS

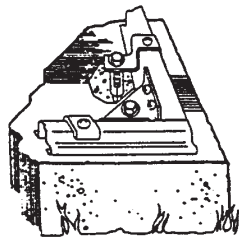
Model No. AK4

Anchor Kit contains heavy-duty steel augers, 60' (18 m) of steel cable and 4 cableclamps. No digging or concrete pouring, just insert cable under roof, over roof beams, into augers and twist augers into the ground. For buildings larger than 10'x9' (3,0 m x 2,6 m), use 2 kits.



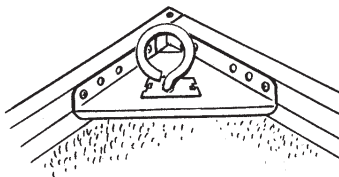
Model No. AK100

New concrete anchor system permits anchoring any size Arrow building directly to a concrete slab. Each kit contains heavy-duty, hot-dipped galvanized steel corner gussets and perimeter clips which fit over the floor frame and lag bolt into a concrete slab. Full assembly instructions and a 1/4" masonry drill bit are included.



Model No. AK600

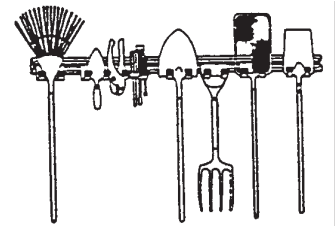
Earth Anchor Kit anchors any size Arrow building to the ground. Each kit contains heavy duty, hot-dipped galvanized steel corner gussets and 4 earth anchors.



TOOL HANGING RACK

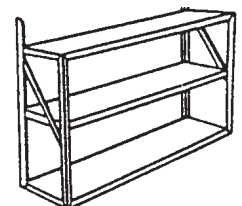
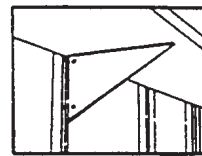
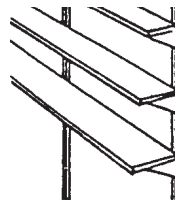
Model No. TH100

The perfect tool organizer. Twin 25 1/2" (64,8 cm) steel channels plus five heavy-duty snap-in hangers and a small tool holder for screwdrivers, pliers, etc. Holders slide along channel for fully adjustable spacing. Great for garage, basement, or the back of any door. Fits all Arrow storage buildings.



SHELF UNITS

Heavy-duty, galvanized steel shelf units help organize storage space. They easily mount on the wall or sit on the floor. Fits all Arrow buildings.*



Model No. SS404

- Makes 8" to 12" (20,3-30,5 cm) wide shelves in any length.
- Brackets, braces, hardware included. Lumber is not included.

Model No. SS900-A

- Grey color
- 3 shelves
- Holds up to 85 lbs. (38 kg) (even weight distribution)

* Some drilling required to fit buildings without mid-wall bracing.

ORDERING ACCESSORIES....

A08

02/13

We recommend that you purchase accessory items from your local storage building dealer whenever possible; however, because the full line of accessories is not always available from all dealers, Arrow is offering them to you on a direct basis.

There are two ways to order Arrow Storage Building Accessories:

Option 1	Option 2
Accessories can be purchased through arrowsheds.com	Order accessories by telephone using your MasterCard or Visa credit card. Call toll free 1-800-851-1085 (Customer Service). Allow 2 weeks for delivery.

SPECIAL NOTE:

If your accessory is shipped via truck line a day time phone number is required to arrange delivery. If no one is available to sign for the delivery, you may be subject to a re-delivery charge assessed by the carrier.

Base

BW08

The Base For Your Building

Concrete Slab

The slab should be at least 4" (10,2 cm) thick. It must be level and flat to provide good support for the frame.

The following are the recommended materials for your base.

2 x 4's (38 mm x 89 mm) (will be removed once the concrete cures)

Concrete Sheet of 6 mil plastic

We recommend for a proper strength concrete to use a mix of:

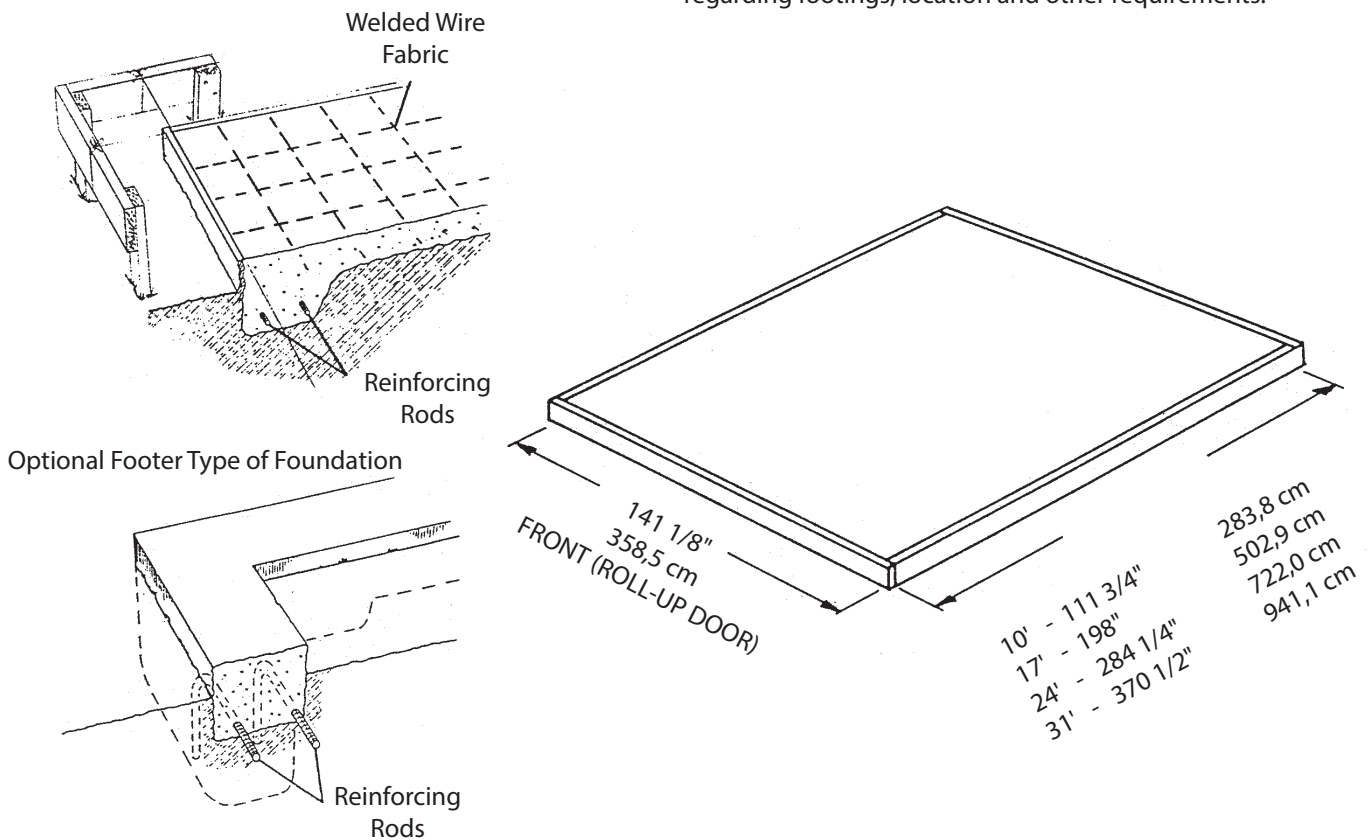
1 part cement 3 parts pea sized gravel 2 1/2 parts clean sand

Prepare the Site/Construct a Base

1. Dig a square, 6" (15,2 cm) deep into the ground (remove grass).
2. Fill up to 4" (10,2 cm) in the square with gravel and tamp firm.
3. Cover gravel with a sheet of 6 mil plastic.
4. Construct a wood frame using four planks of 2x4 (38 mm x 89 mm) lumber.
5. Pour in concrete to fill in the hole and the frame giving a total of 4" (10,2 cm) thick concrete. Be sure surface is level.

Allow 3 - 5 hours for construction and a week for concrete curing time.

Note: Before beginning construction, check local building codes regarding footings, location and other requirements.



Note: Finished Slab dimensions, with lumber removed.

Anchoring

BX10

Anchoring Down The Building

It is important that the entire floor frame be anchored after the building is erected.

Below are recommended ways of anchoring.

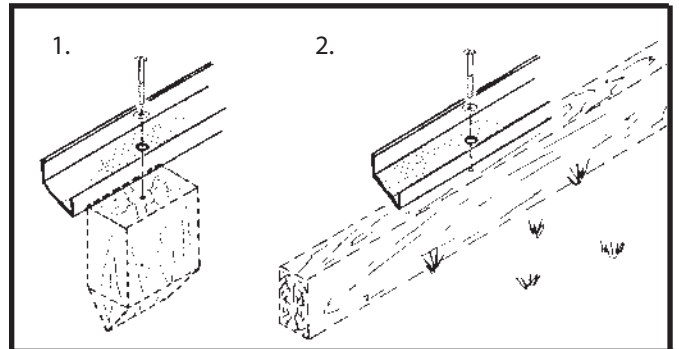
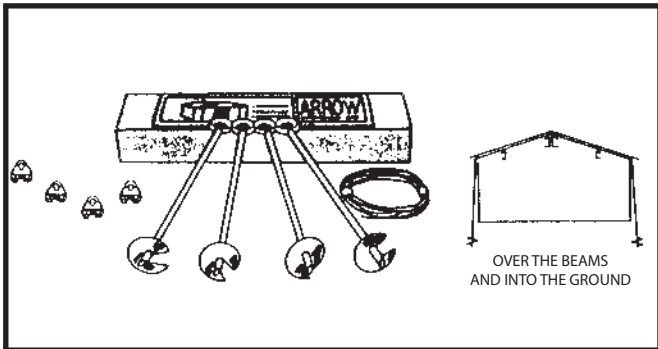
Arrow Anchoring Kit: (Model No. AK4 or 60298)

Recommended for use with any suggested base.

Contains: 4 Anchors with Cable, Clamps and installation instruction.

Anchoring into Wood/Post:

Use 1/4" (6 mm) Wood Screws. There are 1/4" (6 mm) dia. holes provided in the frames for proper anchoring.



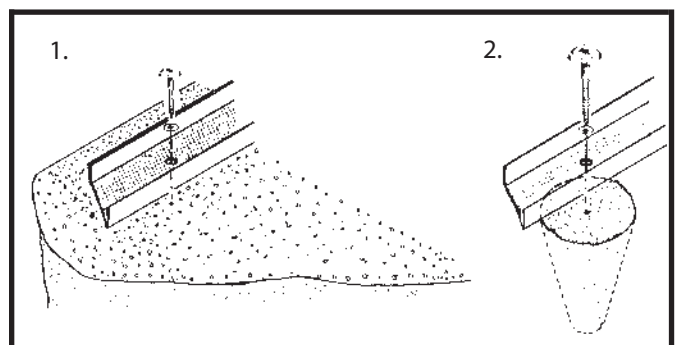
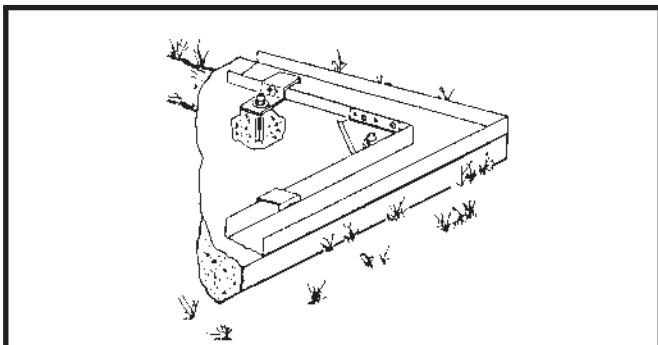
Arrow Anchoring Kit: (Model No. AK100 or 68383)

Recommended for use with the concrete base.

Contains: Corner gussets, perimeter clips, hardware, 1/4" masonry drill bit and installation instruction.

Anchoring into Concrete:

1. For poured concrete slab or footing or patio blocks: Use 1/4" x 2" (6 mm x 51 mm) Lag Screws.
2. For Anchor Post of Concrete poured after building is erected: Use 1/4" x 6" (6 mm x 152 mm) Lag Screws.



Hardware for Building

BW11a



65004
#8x5/16" (8 mm) Screw (403)
(190) (Carton 4)



65101
1/4-20 Square Nut (12)
(Packed with Screws)



65106
#10-32 Square Nut (200)
(184) (Carton 4)



65943
#10-32x7/16" (11 mm) Bolt (194)
(184) (Carton 4)



65989
1/4-20x1 1/2" (13 mm) Hex
Head Bolt (8)
(Packed with Screws)



65408
#10-32x1/4" (6 mm)
Bolts (4)



Remove from bag of screws
and save for Step 28

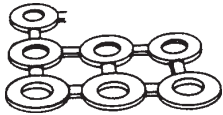
65900A
#10Bx1/2" (13 mm) Black
Screw (4)
(Packed with Screws)



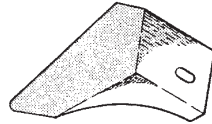
65914
#6x7/8" (22 mm) Screw (5)
(Packed with Screws)



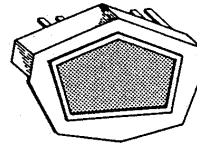
66610 (No Slot)
#10-32x7/16" (11 mm)
Bolt (2)



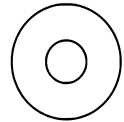
66646
Washer (600)
(320) (Carton 4)



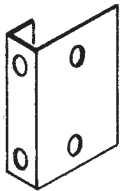
66444
Roof Trim Cap
(2 right & 2 left)



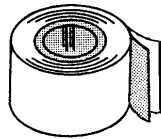
66446 (Arrow Logo)
Peak Cap (2)



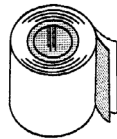
65020
1" Washer (8)



7972
Door Handle
Lock Bracket (1)



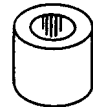
67545
Weather Stripping (1)



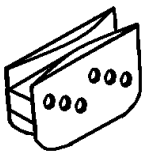
67293
Weather Stripping (1)
(Carton 4)



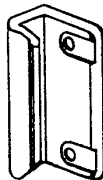
66265
Edge Trim (4)
(Carton 4)



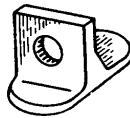
66098
Plastic Spacer (5)



66769
Door Slide (2)



66260
Handle (2)



66382
Lower Door Guide (2)



66464 (2)
1/4-20x1 1/2" (38 mm)
Hex Head Bolt



67488 (2)
3/16 x 1 5/16" (33 mm)
Heavy "S" Hook

Parts List

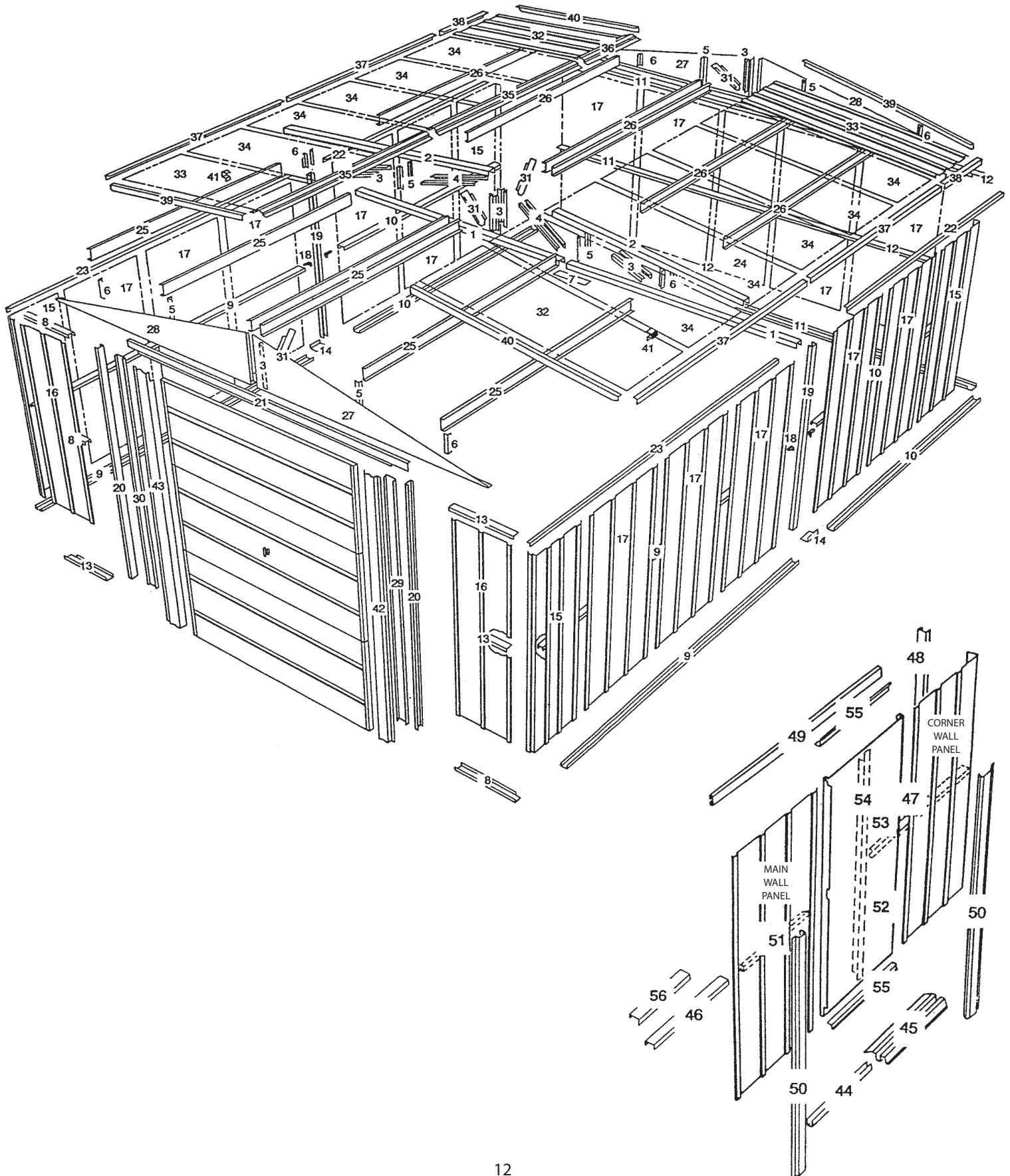
BW12

Carton #4 of the 12' x17' (3,6 m x 5,0 m) can be deleted for a complete 12' x10' (3,6 m x 2,8 m) building, or more than one carton #4 may be used to extend depth in multiples of 7' (2,2 m).





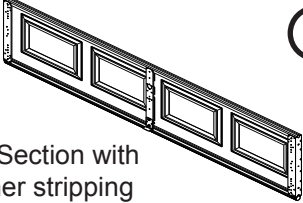
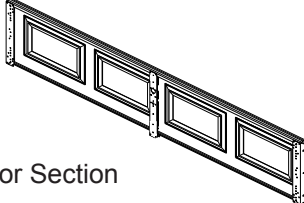
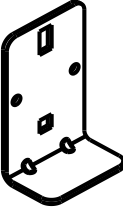
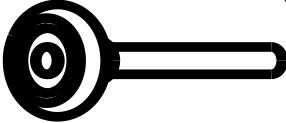
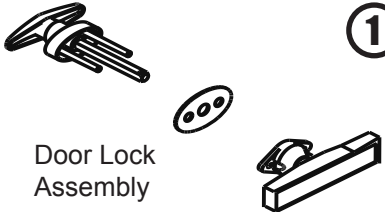
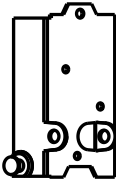
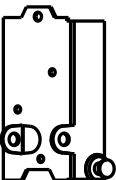
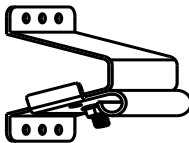
Assembly Part Key No.	Part Number	Description	Carton 1	Carton 2	Carton 3 CHI Door	Carton 4
	1	7855	Truss Lower Chord			2
	2	7856	Truss Upper Chord			2
	3	6382	Center Gable Brace		2	8
	4	7739	Truss Diagonal			4
	5	6381	Mid Gable Brace		4	4
	6	6380	Outer Gable Brace		4	4
	7	7738	Splice Plate			1
	8	7834	Right Front Frame		3	
	9	7837	Side Frame		4	
	10	7914	Side Frame			4
	11	8532	Right Rear Frame		3	
	12	8531	Left Rear Frame		3	
	13	7835	Left Front Frame		3	
	14	7857	Truss Support			2
	15	7824	Corner Wall Panel	4		
	16	7825	Front Wall Panel	2		
	17	7822	Main Wall Panel	7		6
	18	6228	Frame Support			4
	19	7917	Truss Column			2
	20	7839	Front Column	2		
	21	7831	Lintel		1	
	22	7915	Side Top Angle			2
	23	7838	Side Top Angle		2	
	24	7823	Medium Wall Panel	1		
	25	10462	Roof Beam		6	
	26	7912	Roof Beam			6
	27	7942	Right Gable	2		
	28	7943	Left Gable	2		
	29	10460	Right Track Support	1		
	30	10461	Left Track Support	1		
	31	6372	Gable Strut		2	2
	32	7827	Left Roof Panel	2		
	33	7826	Right Roof Panel	2		
	34	7828	Middle Roof Panel	4		6
	35	7843	Ridge Cap		1	1
	36	6874	Ridge Cap		1	
	37	5220	Side Roof Trim		2	2
	38	6014	Side Roof Trim		2	
	39	7845	Left Rake		2	
	40	7846	Right Rake		2	
	41	7913	Spring Support Bracket	2		
	42	7830	Right Door Jamb	1		
	43	7829	Left Door Jamb	1		
	44	7517	Lower Door Track	1		
	45	7560	Ramp	1		
	46	7950	Side Wall Channel	1		
	47	7949	Side Wall Channel	1		
	48	7951	Support Column	1		
	49	7958	Door Track	1		
	50	7946	Door Jamb	2		
	51	7948	Door Wall Brace	1		
	52	10474	Door	1		
	53	3719	Door Handle Brace	1		
	54	7947	Vertical Door Brace	1		
	55	10497	Horizontal Door Brace	2		
	56	8530	Splice Channel	1		

Assembly by Key No.

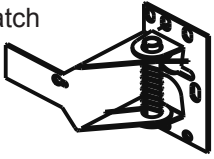

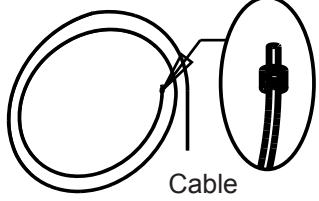


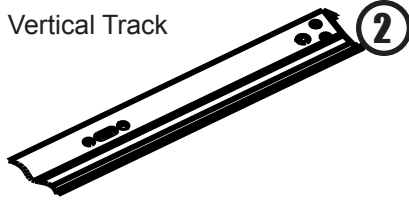
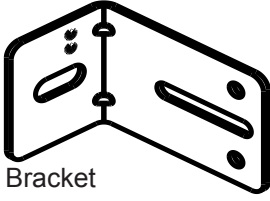

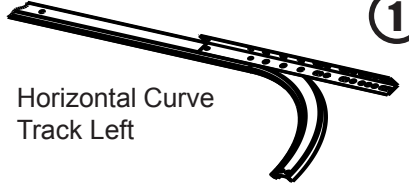
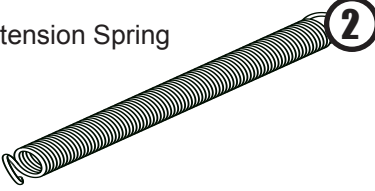
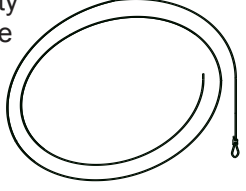
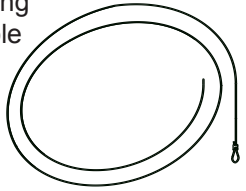

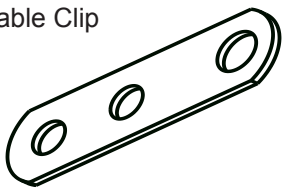

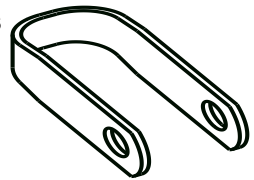
BW13



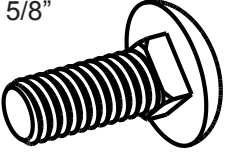
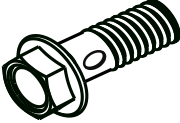
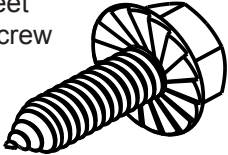
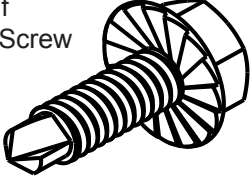
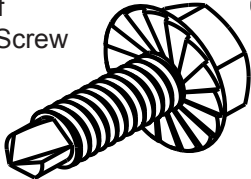

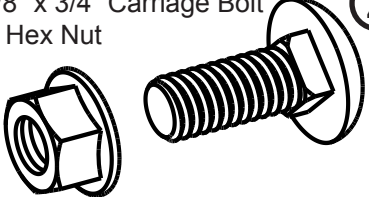
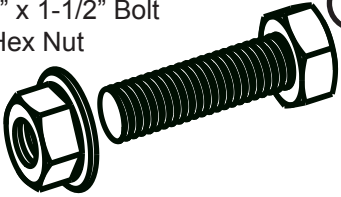
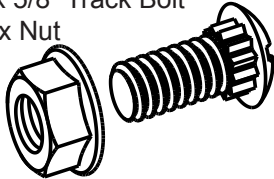
Components for Door

<p>#1 End Hinge</p>  <p>②</p>	<p>#2 End Hinge</p>  <p>②</p>	<p>#3 End Hinge</p>  <p>②</p>
<p>#1 Center Hinge</p>  <p>③</p>	<p>Door Section with weather stripping</p>  <p>①</p>	<p>Door Section</p>  <p>③</p>
<p>Inside Step Plate</p>  <p>①</p>	<p>Roller</p>  <p>⑩</p>	<p>Door Lock Assembly</p>  <p>①</p>
<p>Bottom Fixture Left</p>  <p>①</p>	<p>Bottom Fixture Right</p>  <p>①</p>	<p>Top Fixture</p>  <p>②</p>

Components for Door

<p>Snap Latch ②</p> 	<p>Snap Latch Keeper ②</p> 	<p>①</p>  <p>Cable</p>
<p>Flag Angle Right ①</p> 	<p>Flag Angle Left ①</p> 	<p>Vertical Track ②</p> 
<p>Track Bracket ④</p> 	<p>Horizontal Curve Track Right ①</p> 	<p>Horizontal Curve Track Left ①</p> 
<p>Extension Spring ②</p> 	<p>Safety Cable ②</p> 	<p>Spring Cable ②</p> 
<p>S Hook ②</p> 	<p>Cable Clip ②</p> 	<p>Pulley ④</p> 
<p>Clevis ②</p> 		

Hardware for Door

<p>10-24 x 5/8" Bolt</p>  <p>②</p>	<p>Hex Bolt with Hole</p>  <p>①</p>	<p>1/4" Sheet Metal Screw</p>  <p>④②</p>
<p>1/4" Self Drilling Screw</p>  <p>④</p>	<p>1/4" Self Drilling Screw Red</p>  <p>⑧</p>	<p>1/4" Wiz Nut</p>  <p>①</p>
<p>3/8" x 3/4" Carriage Bolt & Hex Nut</p>  <p>②</p>	<p>3/8" x 1-1/2" Bolt & Hex Nut</p>  <p>④</p>	<p>1/4" x 5/8" Track Bolt & Hex Nut</p>  <p>①④</p>

Step 1

BW14

Parts Needed For Truss Assembly 12x17, 12x24 & 12x31 (3,7 m x 5,2 m / 3,7 m x 7,3 m / 3,7 m x 9,4 m) ONLY

7855 Truss Lower Chord (2)
7856 Truss Upper Chord (2)
6382 Center Gable Brace (8)
7739 Truss Diagonal (4)
6381 Mid Gable Brace (4)
6380 Outer Gable Brace (4)
7738 Splice Plate (1)

- 1 Assemble 1/2 truss at a time, using #10-32x7/16" (11 mm) bolts and square nuts, on all connections loosely.
- 2 Attach truss lower chord to truss upper chord.
- 3 Attach 2 center gable braces to the upper and lower chords at the opposite end of truss.
- 4 Attach 2 truss diagonals to upper and lower chords.
- 5 Attach 2 mid gable braces to upper and lower chords.
- 6 Attach 2 center gable braces to upper and lower chords at middle of truss.
- 7 Attach 2 outer gable braces to upper and lower chords. Mount with short leg of brace.

8 Square up 1/2 truss, adjust and tighten.

9 Make other half and square.

10 Splice both halves together with splice plate and fasten center gable braces together, using 3 bolts and nuts.

11 Cut the 4 pieces of edge trim in half and slip over the bottom edges of gable braces. This trim is a must to protect against injury from the sharp edge.

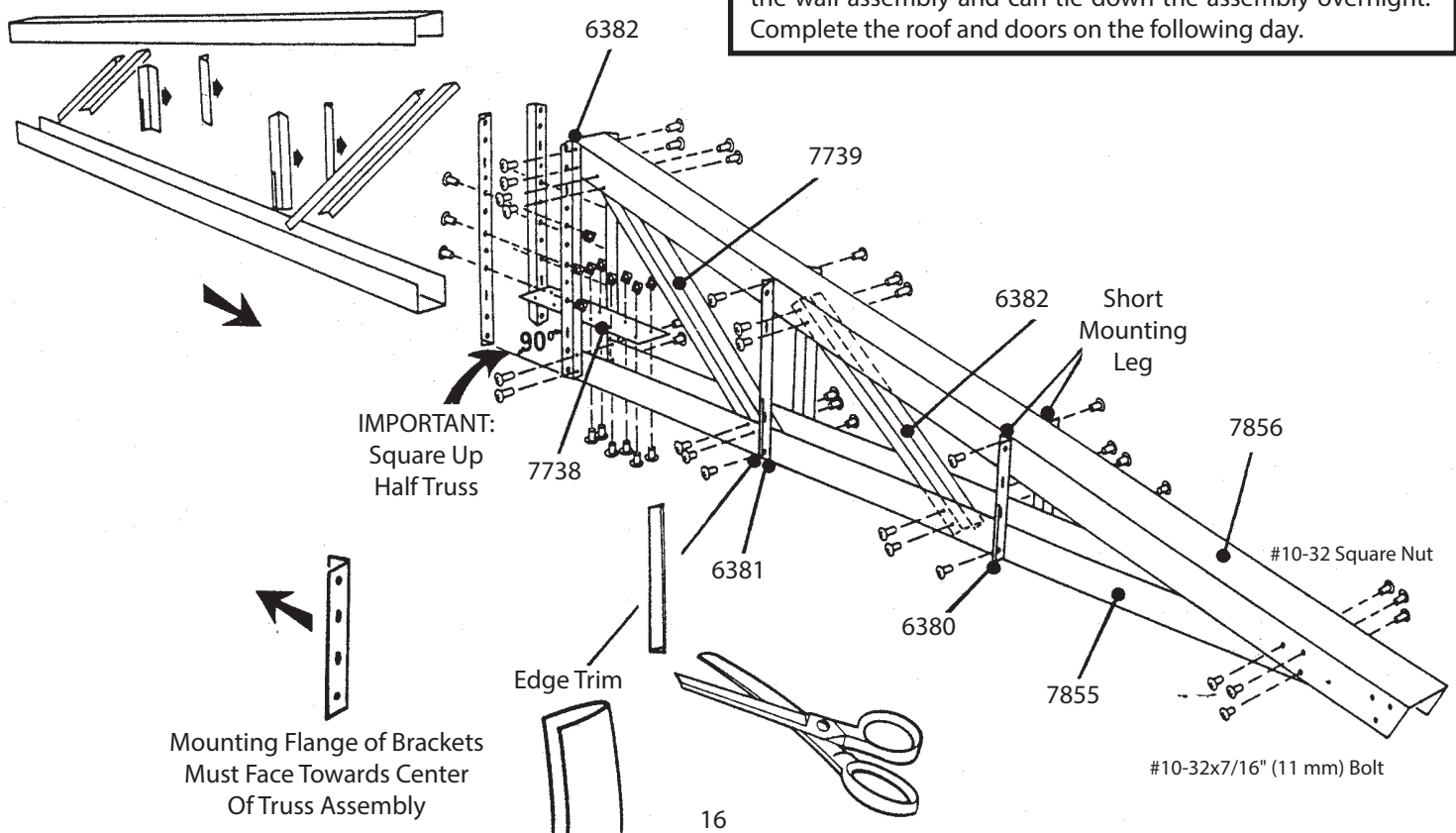
Make 1 assembly for the 12x17 (3,7 m x 5,2 m)

Make 2 assemblies for the 12x24 (3,7 m x 7,3 m)

Make 3 assemblies for the 12x31 (3,7 m x 9,4 m)

NOTE

The day before construction of the building, complete the sub-assemblies so they will be ready. EXAMPLE: Truss, floor frames, roof beams, gables, side and overhead doors. Set the assemblies aside, so they will not get damaged. The remainder of the building assembly requires more than 1 work session and more than 1 person. Do not continue beyond this point if you do not have enough time to complete the wall assembly and can tie down the assembly overnight. Complete the roof and doors on the following day.



Step 2

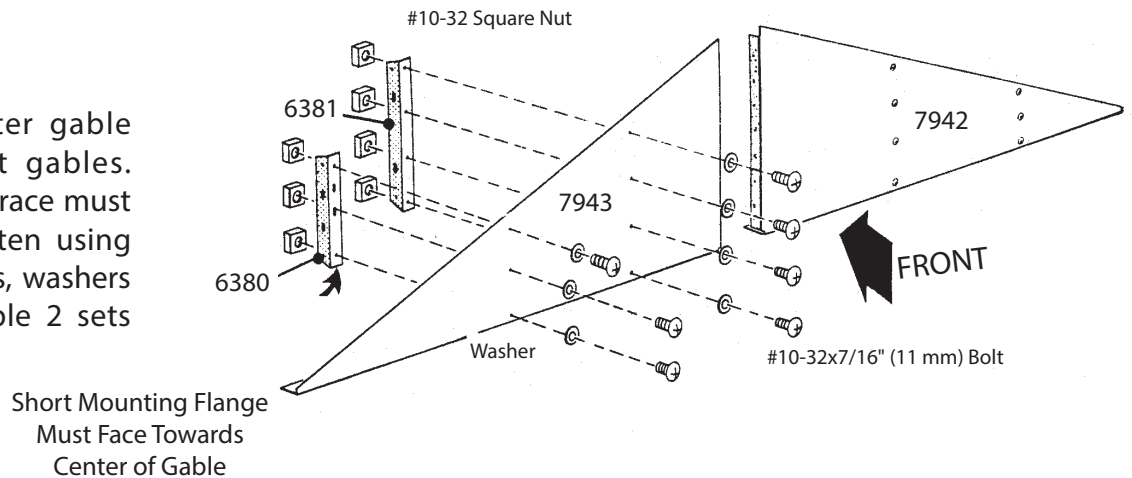
BW15

Parts Needed For Gables All Sizes

6381 Mid Gable Brace (4)
6380 Outer Gable Brace (4)
7942 Right Gable (2)
7943 Left Gable (2)

The gables go on top of the front and rear walls to support the roof beams. The gables are packed nested together and might be mistaken as 1 piece. Carefully separate them before continuing.

1 Position mid and outer gable braces on right and left gables. Short mounting flange of brace must face center of gable. Fasten using #10-32x7/16" (11 mm) bolts, washers and square nuts. Assemble 2 sets of gables.



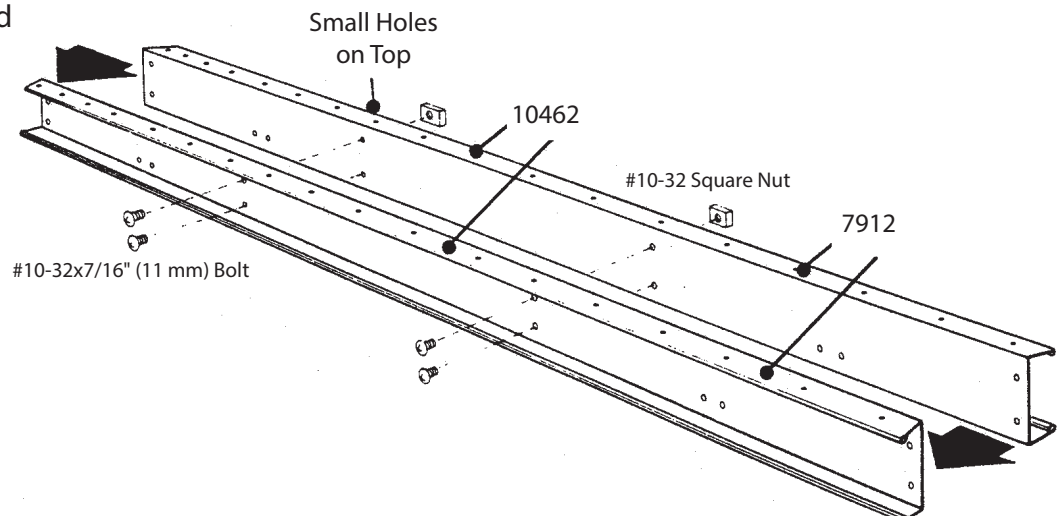
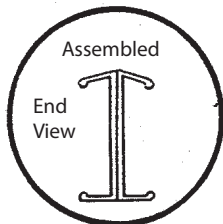
Step 3

Parts Needed For Roof Beam Assemblies

10462 Roof Beam (2) (All Sizes)
7912 Roof Beam
(2) 12x17 (3,7 m x 5,2 m)
(4) 12x24 (3,7 m x 7,3 m)
(6) 12x31 (3,7 m x 9,4 m)

The roof beams join the gables to the truss and supports the roof panels.

1 Align the holes on 2 roof beams, back-to-back and fasten using 4 #10-32x7/16" (11 mm) bolts and square nuts.



Step 4

BW16

Parts Needed For Floor Frame Assembly 12x10 (3,7 m x 3,0 m)

8532 Right Rear Frame (1)
8531 Left Rear Frame (1)
7837 Side Frame (2)
7834 Right Front Frame (1)
7835 Left Front Frame (1)
7517 Lower Door Track (1)
7560 Ramp (1)

The rear floor frame is made up of 2 pieces. The holes in these pieces will align when the pieces are positioned with correct amount of overlap. The illustration below shows the proper overall length for the rear.

1 Overlap right and left rear frames, align holes, and fasten using 8 bolts and nuts. Make 3 assemblies. Use 1 assembly for this step.

2 Position floor frames as shown and fasten at each corner using 2 bolts through the bottom and nuts on top.

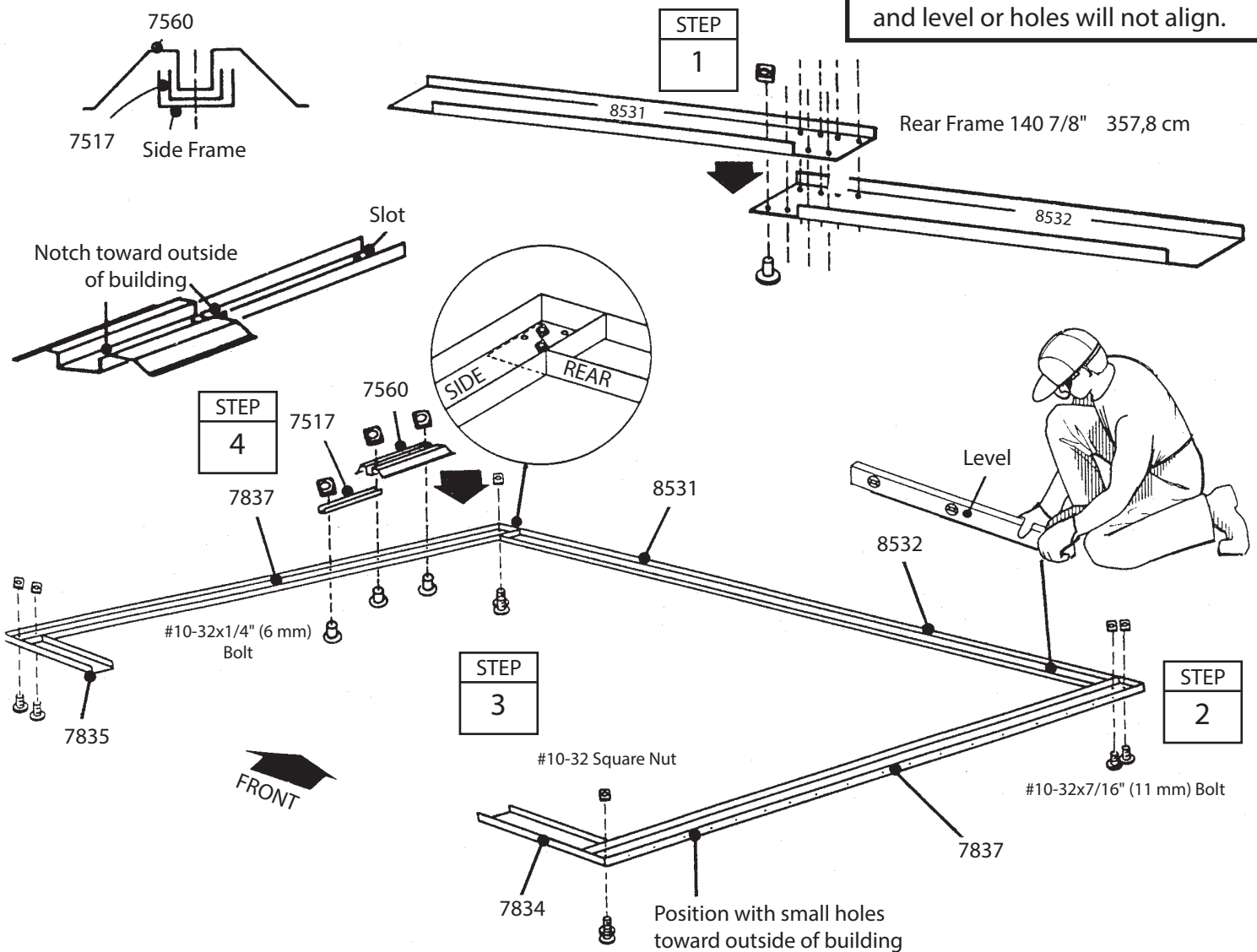
3 Measure the floor frame diagonally. When the diagonal measurements are equal, the floor frame is square.

4 Select location of side door on either side, toward the rear of building. Install lower door track and ramp, notch toward outside, using 1/4" (6 mm) bolts and nuts, as shown. See Step 12 for Rear Door Installation.

NOTE

Do not fasten the floor frames to your foundation at this time. You will anchor the building after it is erected.

The floor frame must be square and level or holes will not align.



Step 5

BW17

Parts Needed For Floor Frame Assembly 12x17, 12x24 & 12x31

(3,7 m x 5,2 m / 3,7 m x 7,3 m / 3,7 m x 9,4 m)

8532 Right Rear Frame (1)
8531 Left Rear Frame (1)
7914 Side Frame (see below)
7857 Truss Support (see below)

7837 Side Frame (2)
7834 Right Front Frame (1)
7835 Left Front Frame (1)
7517 Lower Door Track (1)
7560 Ramp (1)

The rear floor frame is made up of 2 pieces. The holes in these pieces will align when the pieces are positioned with correct amount of overlap. The illustration below shows the proper overall length for the rear.

1 Overlap right and left rear frames, align holes, and fasten using 8 bolts and nuts. Make 3 assemblies. Use 1 assembly for this step.

2 Position floor frames as shown and fasten at each corner using 2 bolts through the bottom and nuts on top. When installing side frame 7914, be sure set of holes 1" (2,5 cm) in from end of frames are installed toward rear of building.

3 Fasten side frames together with a truss support using 4 bolts through the bottom and nuts on top.

NOTE

Position of holes, and fasten at the 1st set of holes. See side connection.

4 Measure the floor frame diagonally. When the measurements are equal, the floor frame is square.

5 Select location of side door on either side, toward the rear of building. Install lower door track and ramp, notch toward outside, using 1/4" (6 mm) bolts and nuts. See Step 12 for Rear Door Installation.

IF YOU ARE BUILDING A 12x24 (3,7 m x 7,3 m)

Fasten additional side frame 7914 and truss support 7857 to side frame 7914 using the side connection. Position rear frame at rear of assembly and fasten using the rear corner connection.

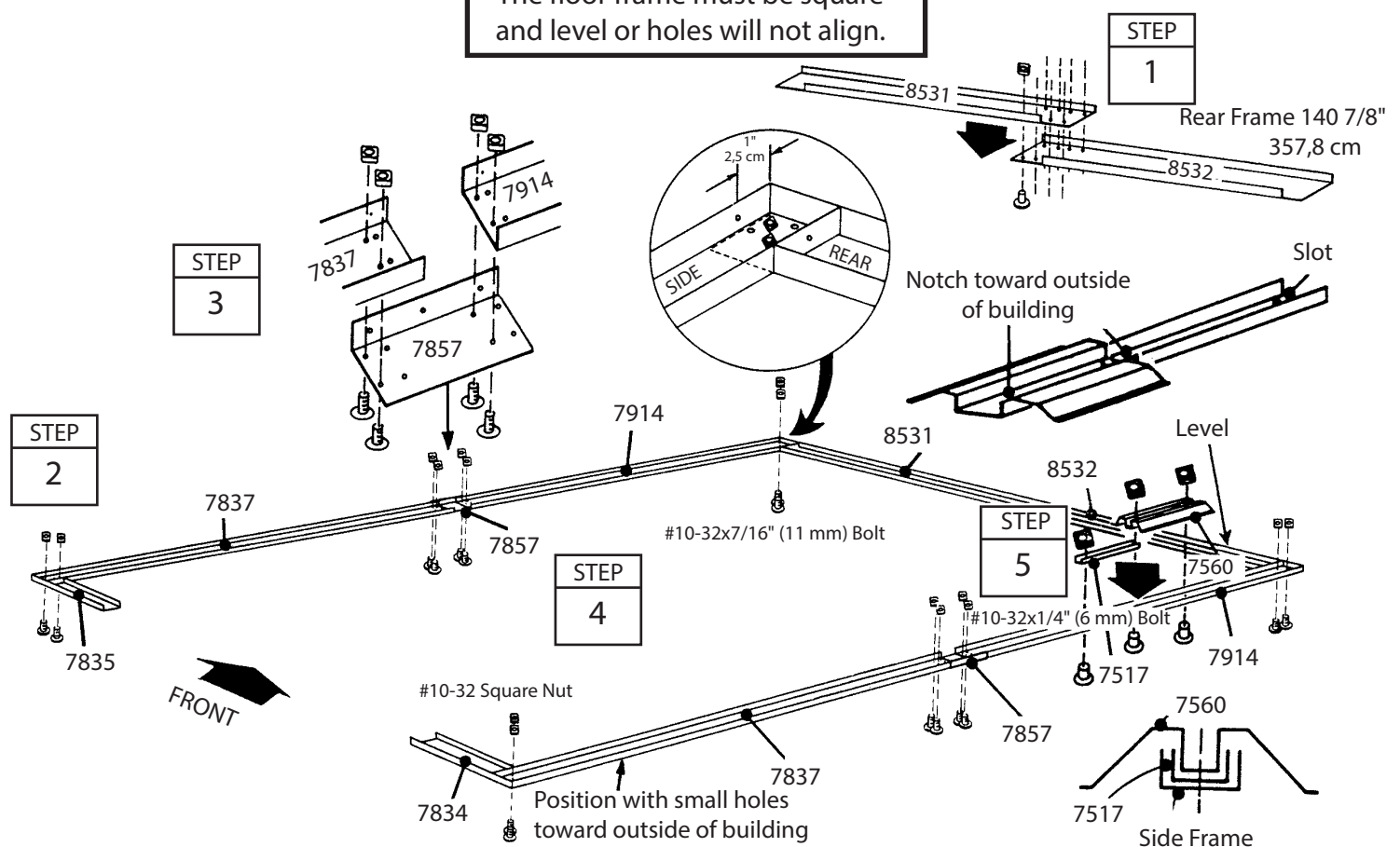
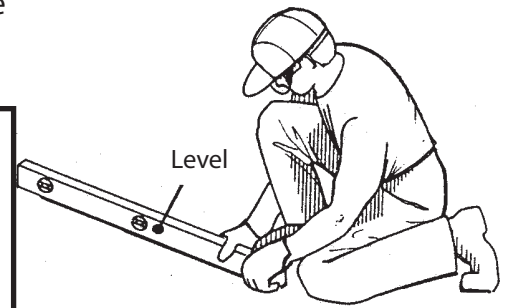
IF YOU ARE BUILDING A 12x31 (3,7 m x 9,4 m)

Fasten 2 additional side frames 7914 and truss supports 7857 to side frame 7914 using the side connection. Position rear frame at rear of assembly and fasten using the rear corner connection.

NOTE

Do not fasten the floor frames to your foundation at this time. You will anchor the building after it is erected.

The floor frame must be square and level or holes will not align.



Step 6

BW18

Parts Needed For Corners All Sizes

7824 Corner Wall Panel (4)
7825 Front Wall Panel (2)
7822 Main Wall Panel (2)

Each screw and bolt in the wall requires a washer.



CORRECT



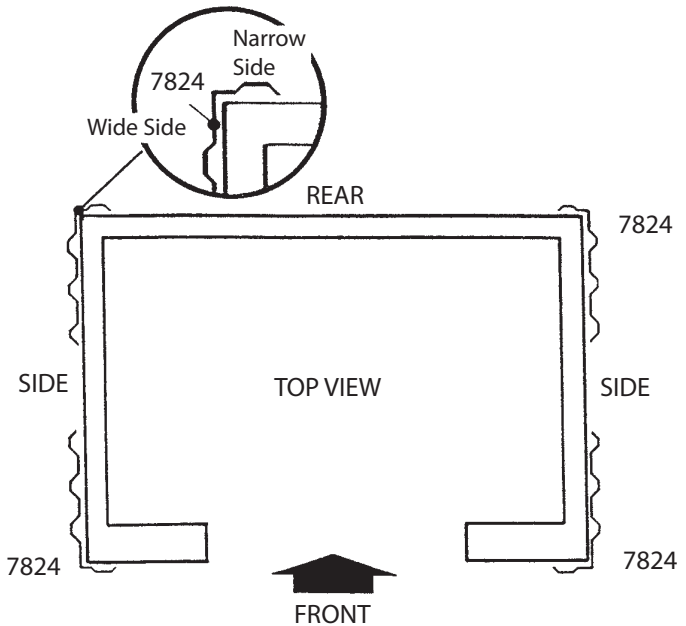
INCORRECT

1 Install a corner wall panel at the corner of the floor frame as shown. The widest part of each corner panel must be placed along the side of the building for all 4 corners. Fasten the corner panel to the floor frame with 4 screws.

Support the corner panel with a step ladder until a wall panel is attached.

2 Attach the front wall panels to the front corner panels, as shown.

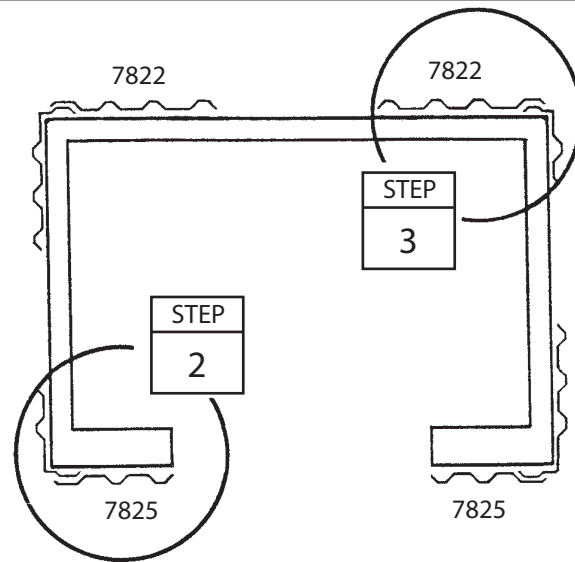
3 Attach the main wall panels to the rear corner panels, as shown.



NOTE
Be careful to install the correct panel in each position as shown.

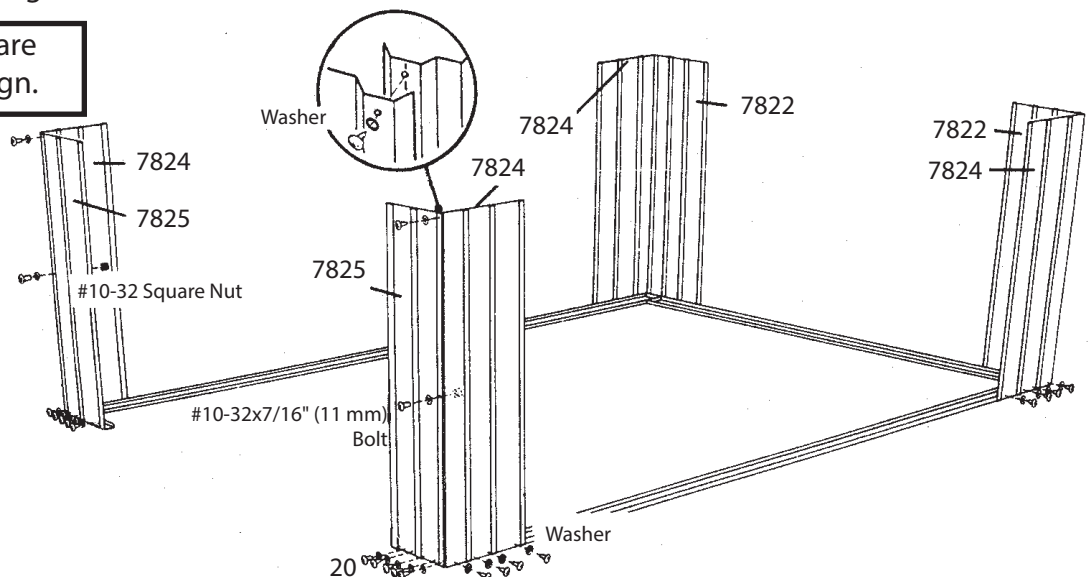
4 Double-check the part numbers of the wall panels, before proceeding.

The floor frame must be square and level or holes will not align.



#8Ax5/16" (8 mm) Screw

STEP
4



Step 7

BW19

Parts Needed For Frames 12x10 (3,7 m x 3,0 m)

Rear Frame Assembly (1)
7834 Right Front Frame (1)
7835 Left Front Frame (1)
7837 Side Frame (2)
7950 Side Wall Channel (1)
7949 Side Wall Channel (1)
7951 Support Channel (1)

The mid frame pieces give rigidity to the side and rear wall.

NOTE

Before installing mid frames decide at which location you want the entrance door. Do not install the 1x2 (2,5 x 5,1 cm) mid frame at 1 of 3 locations.

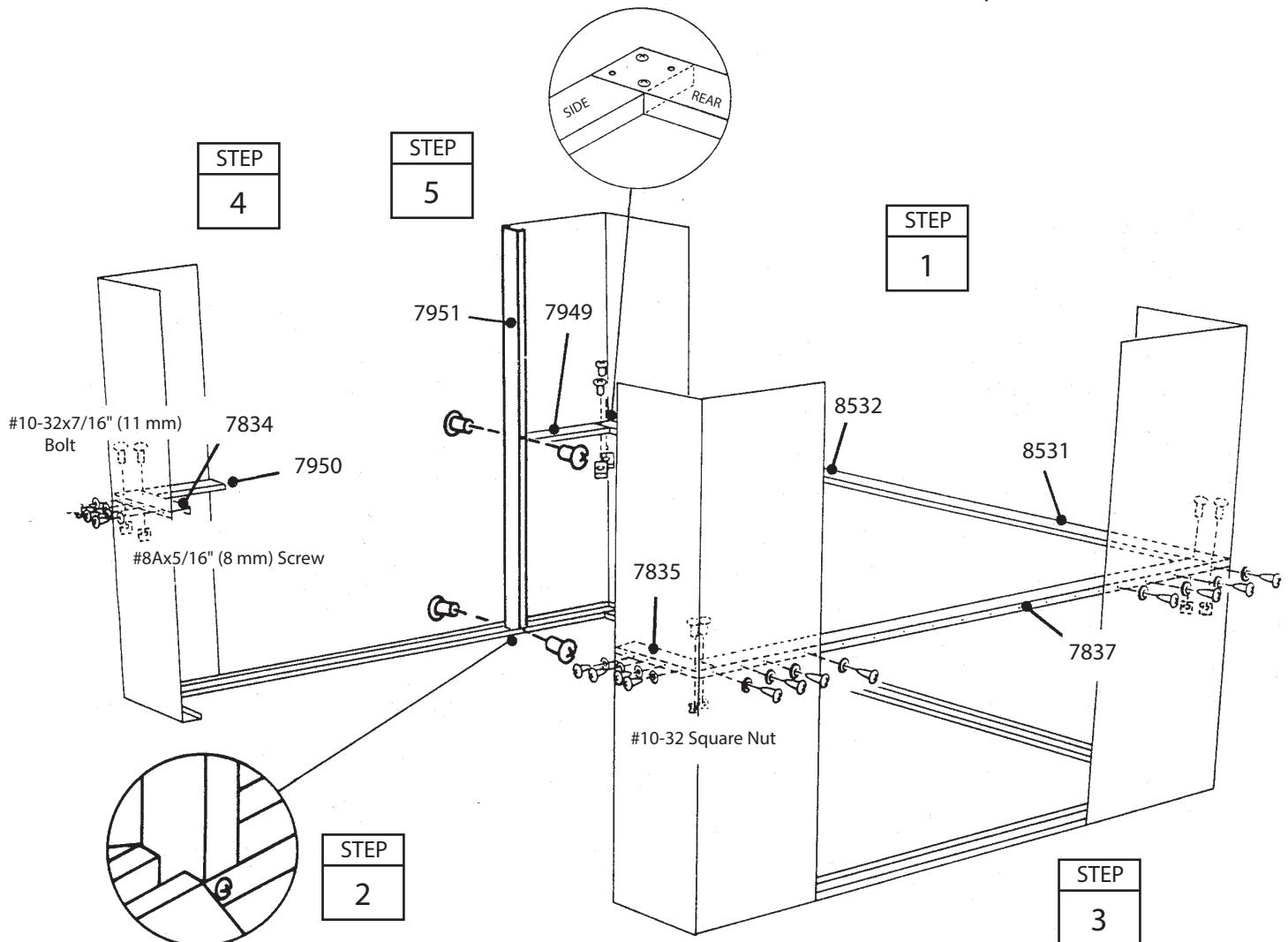
1 Fasten a rear frame assembly to the main wall panels using screws.

2 Fasten a right and left front frame to the front wall panels the same way.

3 Fasten side frame to the corner panels using screws. Where rear frame overlaps side frame in corner, fasten using 2 bolts and nuts.

4 Fasten side wall channels to the corner panels using screws. Fasten overlaps in corners using bolts.

5 Fasten support column to side frame and side wall channel using bolts and nuts where shown. Fold corner panel slightly away from column to fasten bolts from outside. See Step 12 for rear door installation.



Step 8

BW20

Parts Needed For Frames

12x17, 12x24 & 12x31

(3,6 m x 5,0 m / 3,6 m x 7,2 m / 3,6 m x 9,4 m)

Rear Frame Assembly (1)
7834 Right Front Frame (1)
7835 Left Front Frame (1)
7917 Truss Column (see below)

7914 Side Frame (see below)
7837 Side Frame (2)
6228 Frame Support (4)
7949 Side Wall Channel (1)
7951 Support Column (1)

The mid frame pieces give rigidity to the side and rear wall.

NOTE

Before installing mid frames decide at which location you want the entrance door. Do not install the 1x2 (2,5 x 5,1 cm) mid frame at 1 of 3 locations.

1 Fasten a rear frame assembly to the main wall panels using screws.

2 Fasten a right and left front frame to the front wall panels the same way.

3 Attach 4 frame supports to the middle of the 2 truss columns using 2 bolts and nuts on each.

4 Fasten side frame 7914 to the rear corner panel using screws. Be sure set of holes 1" (2,5 cm) in from end of frame is installed toward rear of building. Where rear frame overlaps side frame in corner, fasten using 2 bolts and nuts. Fasten opposite end to frame support on truss column, using 2 bolts and nuts in the 1st set of holes. Fasten truss support to truss column at bottom with 1 screw at the 1st hole on column. Support column assembly with step ladder.

IF YOU ARE BUILDING A 12x24

(3,6 m x 7,2 m)

Each side of building will have 2 column assemblies and 2 extra side frames 7914.

IF YOU ARE BUILDING A 12x31

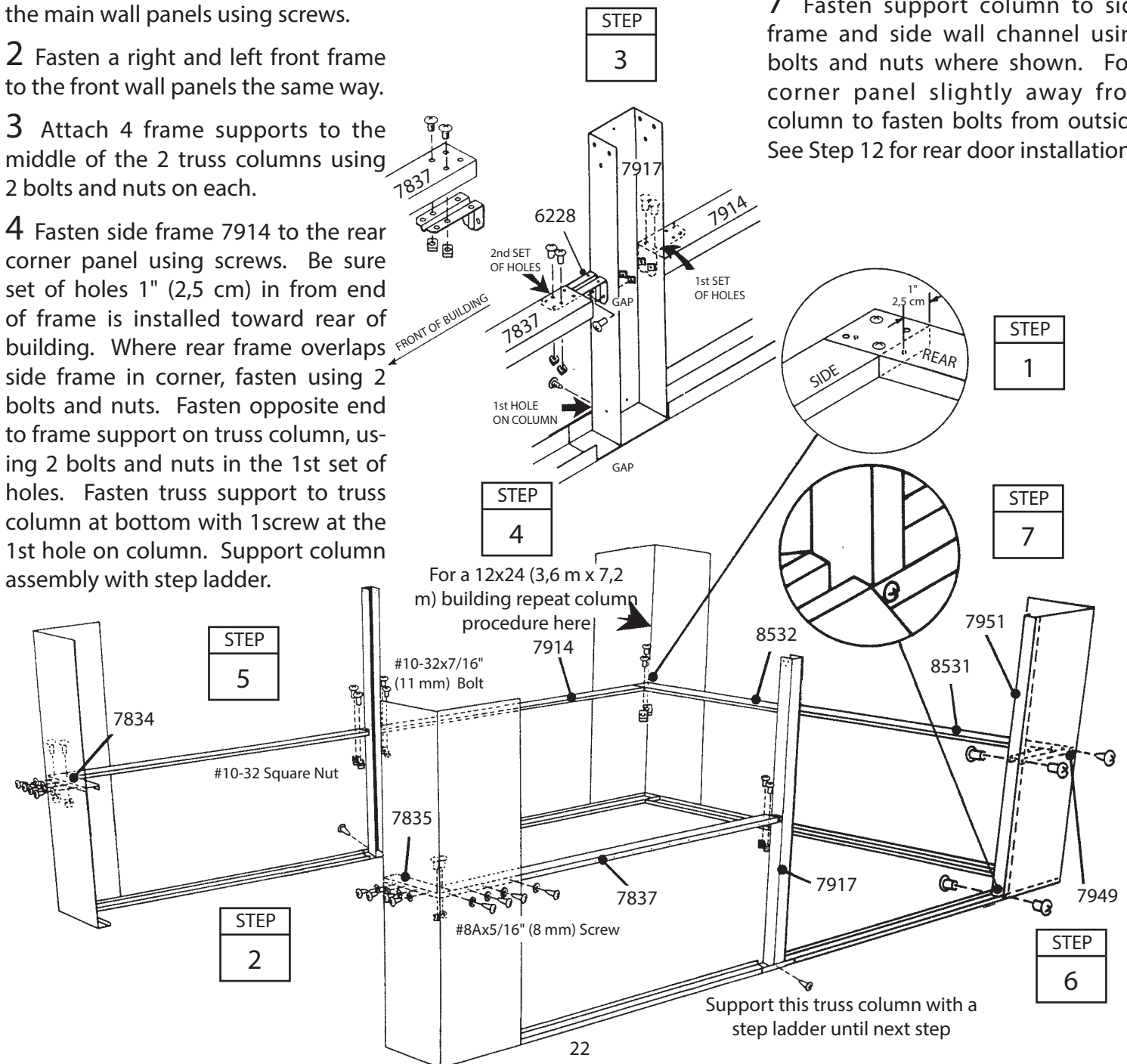
(3,6 m x 9,4 m)

Each side of building will have 3 column assemblies and 4 extra side frames 7914.

5 Fasten side frame 7837 to the front corner panel using screws. Fasten overlap in corner. Fasten opposite end to the frame support on truss column, using 2nd set of holes. This will leave a gap between side frame and truss column.

6 Fasten side wall channel to the rear corner panel using screws.

7 Fasten support column to side frame and side wall channel using bolts and nuts where shown. Fold corner panel slightly away from column to fasten bolts from outside. See Step 12 for rear door installation.



Step 9

BW21

Parts Needed For Frames 12x10 (3,7 m x 3,0 m)

7839 Front Column (2)
7834 Right Front Frame (1)
7835 Left Front Frame (1)
7831 Lintel (1)
Rear Frame Assembly (1)
7838 Side Top Angle (2)
7958 Door Track (1)

The top frame pieces give rigidity to the side walls and provide a surface for attaching the gables which support the roof.

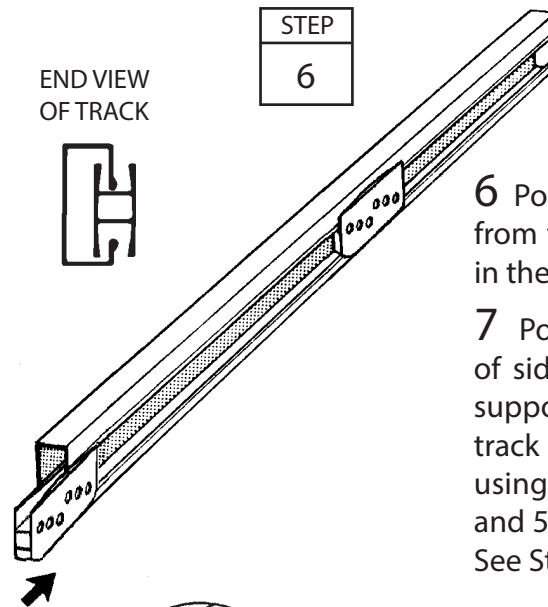
1 Fasten front columns to the bottom and mid front frames with bolts and nuts. Flange with 2 holes at each end must be facing outside. Fold front panel slightly away from column to tighten bolts and nuts.

2 Fasten right and left front frame to the top of front wall panels using 4 screws.

3 Position lintel across top of frames and columns and fasten with bolts.

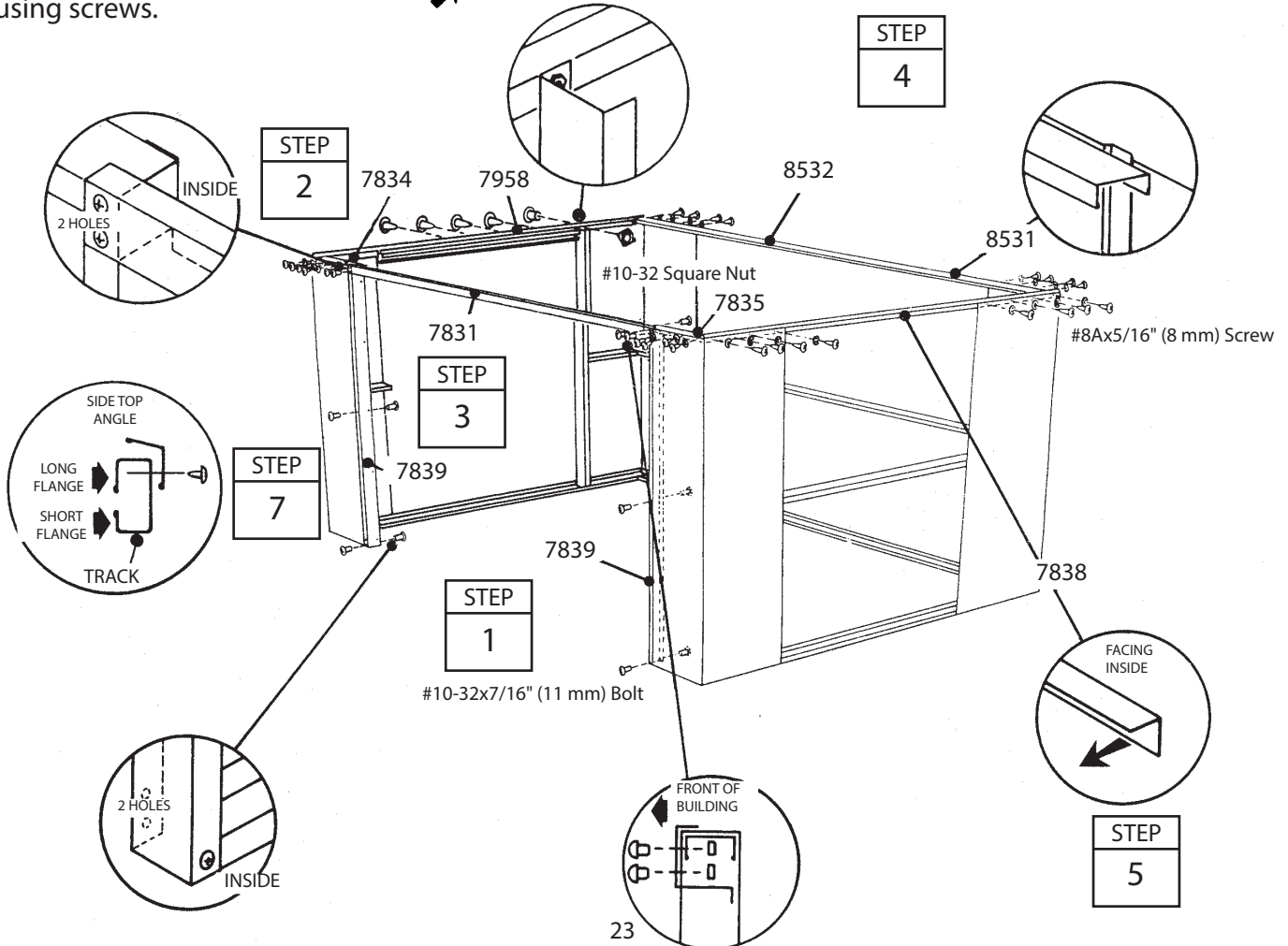
4 Position rear frame assembly across top of main wall panels and fasten using screws.

5 Fasten side top angles to the corner panels using screws. Fasten support column to top angle using a bolt.



6 Position door slides onto the legs, from the end of door track, as shown in the end view.

7 Position door track to the inside of side top angle, butted up against support column. With short flange of track at bottom, fasten angle to track using 4 screws at the 2nd, 3rd, 4th and 5th hole in from support column. See Step 12 for rear door installation.



Step 10

BW22

Parts Needed For

Frames

12x17, 12x24 & 12x31

(3,7 m x 5,2 m / 3,7 m x 7,3 m / 3,7 m x 9,4 m)

7839 Front Column (2)
7834 Right Front Frame (1)
7835 Left Front Frame (1)
7831 Lintel (1)

Rear Frame Assembly (1)
7915 Side Top Angle (see below)
7838 Side Top Angle (2)
7958 Door Track (1)

The top frame pieces give rigidity to the side walls and provide a surface for attaching the gables which support the roof.

1 Fasten front columns to the bottom and mid front frames with bolts and nuts. Flange with 2 holes at each end must be facing outside. Fold front panel slightly away from column to tighten bolts and nuts.

2 Fasten right and left front frame to the top of front wall panels using 4 screws.

3 Position lintel across top of frames and columns and fasten with bolts.

4 Position rear frame assembly across top of main wall panels and fasten using screws.

IF YOU ARE BUILDING A 12x24
(3,7 m x 7,3 m)

Repeat side top angle assembly using 2 additional angles 7915.

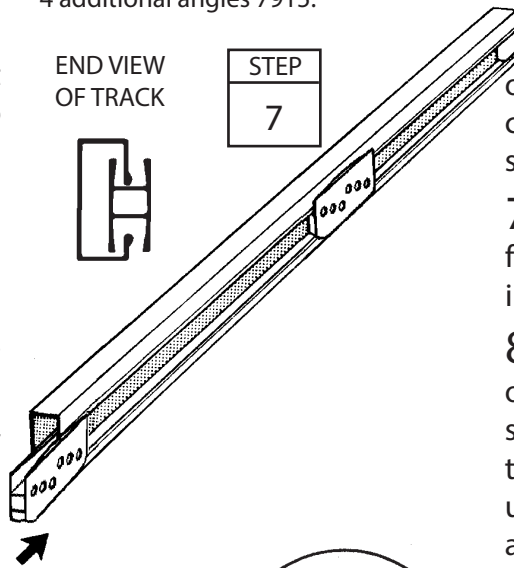
IF YOU ARE BUILDING A 12x31
(3,7 m x 9,4 m)

Repeat side top angle assembly using 4 additional angles 7915.

END VIEW
OF TRACK



STEP
7

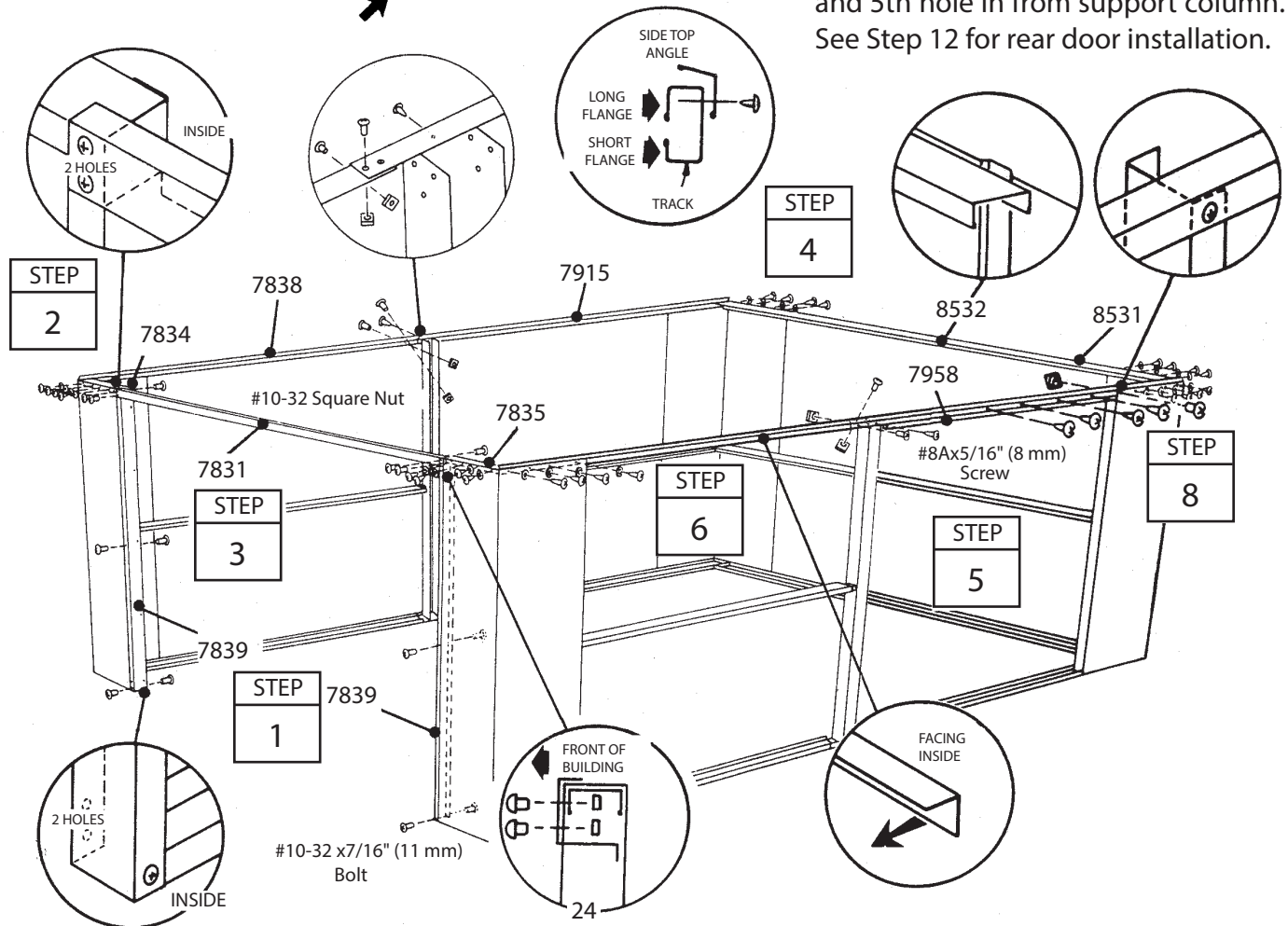


5 Fasten side top angles 7915 to the truss column using a screw and to rear corner panels using screws.

6 Fasten side top angles 7838 under 7915 and fasten to front corner panels using screws. Fasten over lap (2 1/2" [6,4 cm]) with 2 bolts and nuts. Side angles overlap front and rear frames in the corners. Fasten support column to side top angle using a bolt and nut.

7 Position door slides onto the legs, from the end of door track, as shown in the end view.

8 Position door track to the inside of side top angle, butted up against support column. With short flange of track at bottom, fasten angle to track using 4 screws at the 2nd, 3rd, 4th and 5th hole in from support column. See Step 12 for rear door installation.



Step 11

BW23

Parts Needed For Walls All Sizes

7822 Main Wall Panel (see below)
7823 Medium Wall Panel (1)

Each wall panel has a crimped rib on 1 side. The crimped rib should go under the rib of the panel that follows it. Leave out 1 main wall panel at the side or rear entry door location.

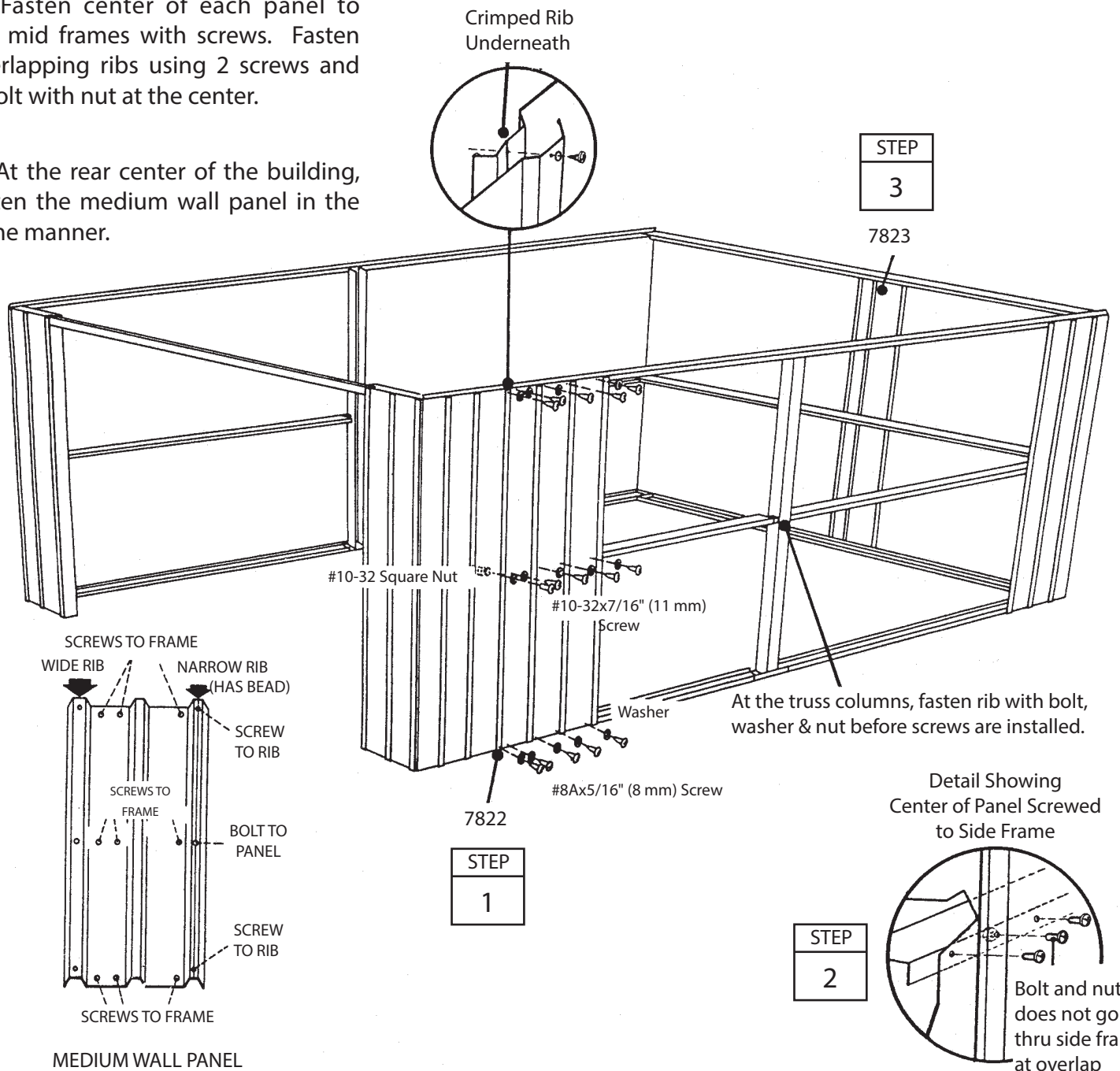
1 Fasten the main wall panels at the top and bottom with screws.

2 Fasten center of each panel to the mid frames with screws. Fasten overlapping ribs using 2 screws and a bolt with nut at the center.

3 At the rear center of the building, fasten the medium wall panel in the same manner.

IF YOU ARE BUILDING A 12x24 (3,7 m x 7,3 m)
Install 3 additional main wall panels on each side of the building.

IF YOU ARE BUILDING A 12x31 (3,7 m x 9,4 m)
Install 6 additional main wall panels on each side of the building.



Step 12

BW24

Parts Needed For Rear Entry Door All Sizes

7517 Lower Door Track (1)
7560 Ramp (1)
8530 Splice Channel (1)
7951 Support Column (1)
7958 Door Track (1)

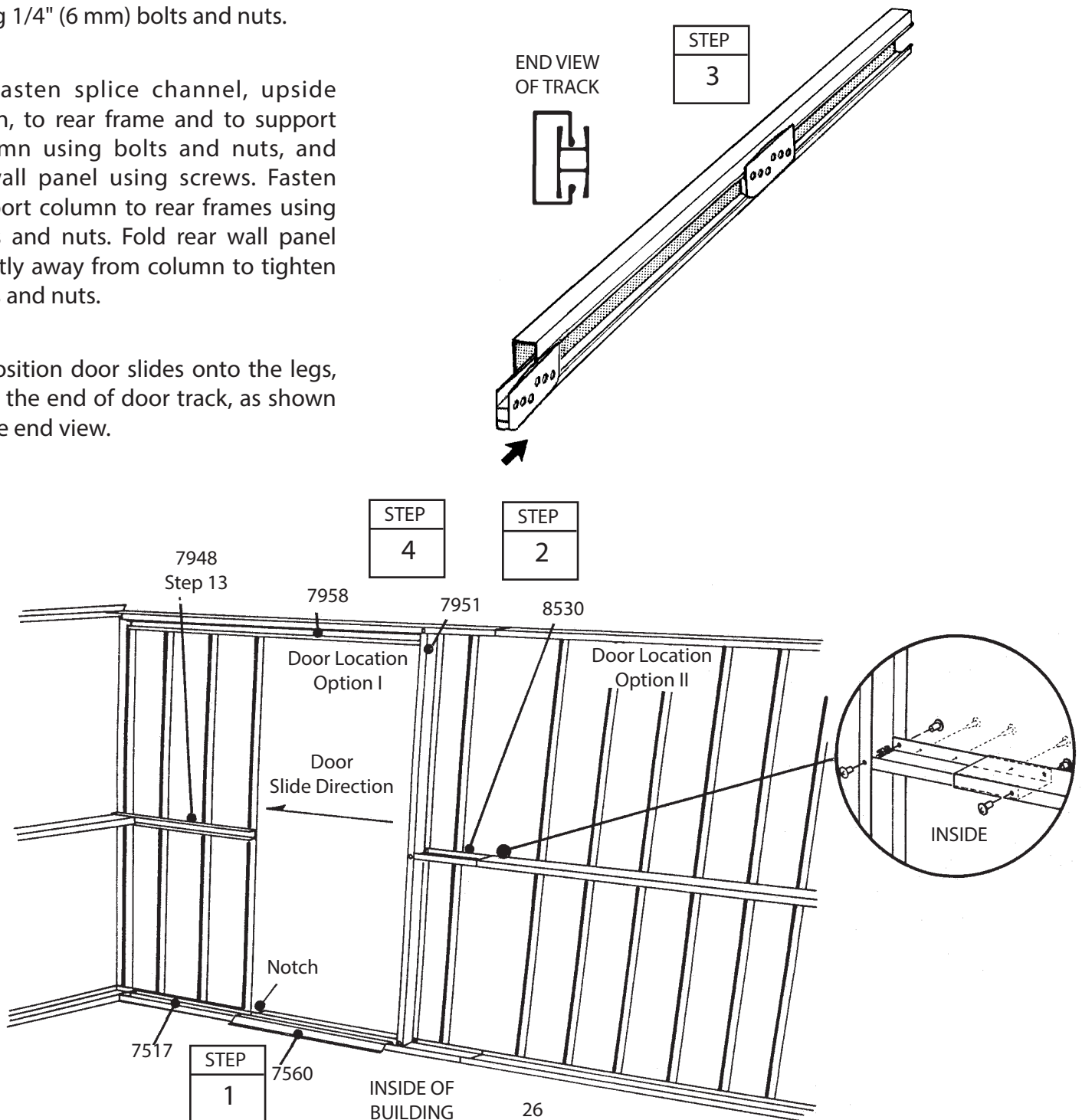
Using the previous side entry door steps and this illustration, you can install the entry door at 2 locations along the rear wall. Whichever you choose, the door will always slide towards the corner of the building.

1 Install lower door track and ramp using 1/4" (6 mm) bolts and nuts.

2 Fasten splice channel, upside down, to rear frame and to support column using bolts and nuts, and to wall panel using screws. Fasten support column to rear frames using bolts and nuts. Fold rear wall panel slightly away from column to tighten bolts and nuts.

3 Position door slides onto the legs, from the end of door track, as shown in the end view.

4 Position door track to the inside of the rear frame, butted up against support column. With short flange of track at bottom, fasten frame to track using 4 screws at the 2nd, 3rd, 4th and 5th hole in from support column.



Step 13

BW25

Parts Needed For Side or Rear Entry Door All Sizes

7946 Door Jamb (2)
7948 Door Wall Brace (1)
7972 Door Handle Lock Bracket (1)

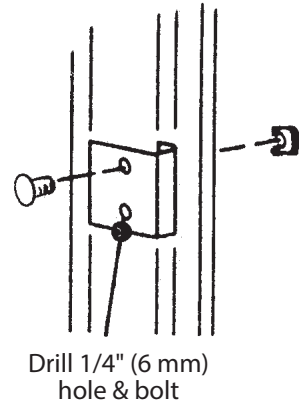
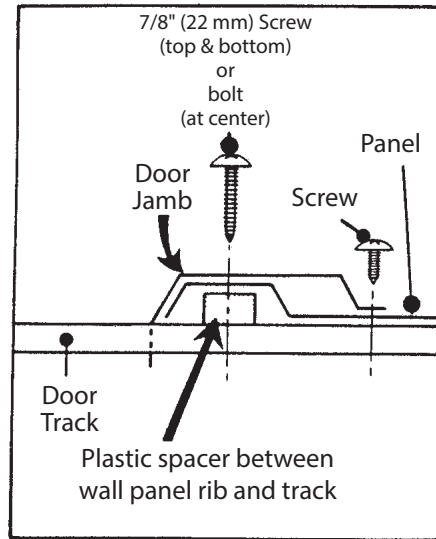
The door jambs reinforce the door opening and provide an attractive trim. Follow these steps for both door jambs.

1 Place door wall brace behind wall panel in the direction of sliding door. Fasten panel to brace using screws.

2 Overlap rib of wall panel with a door jamb and fasten at top to angle, middle to brace, and bottom to frame using #6Ax7/8" (22 mm) screws and spacers. Position spacer inside wall panel rib.

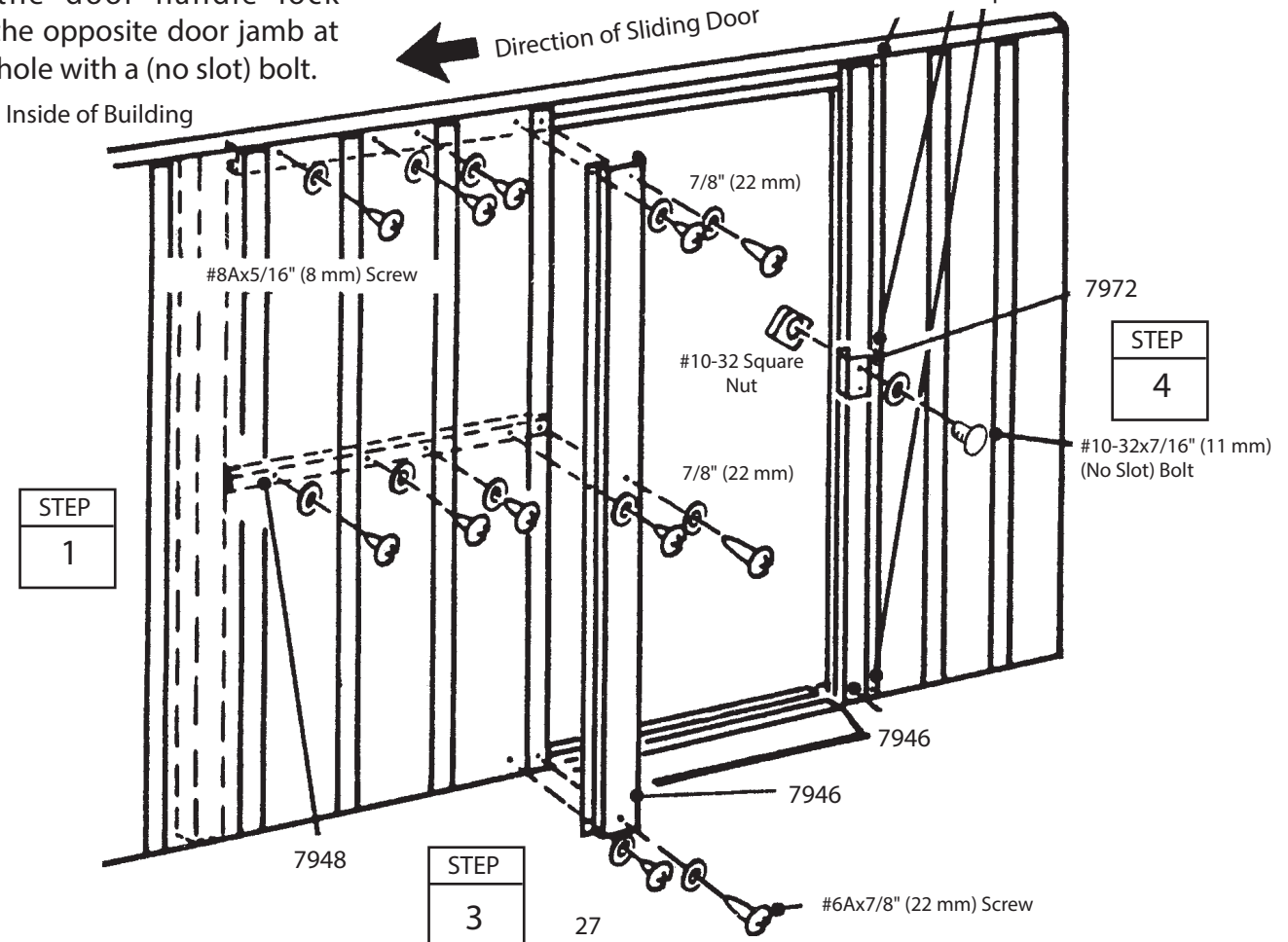
3 Fasten outer flange of door jamb to wall panel using 3 screws.

4 Secure the door handle lock bracket to the opposite door jamb at the middle hole with a (no slot) bolt.



STEP
2

Remove and reinsert screws from panel



STEP
1

STEP
4

STEP
3

Step 14

BW26

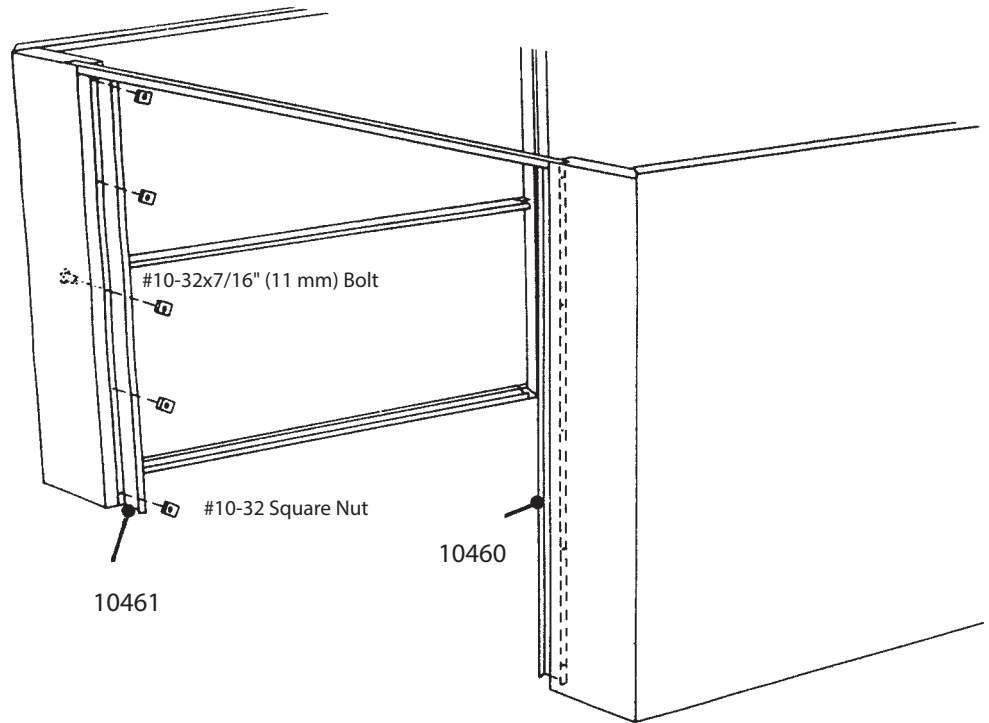
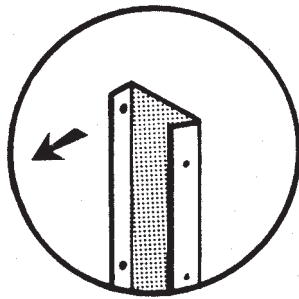
Parts Needed For Track Supports All Sizes

10460 Right Track Support (1)
10461 Left Track Support (1)

1 Fasten right and left track supports to the front columns using 5 bolts from the inside and nuts outside.

NOTE

Flanges on track supports must face towards front of building.



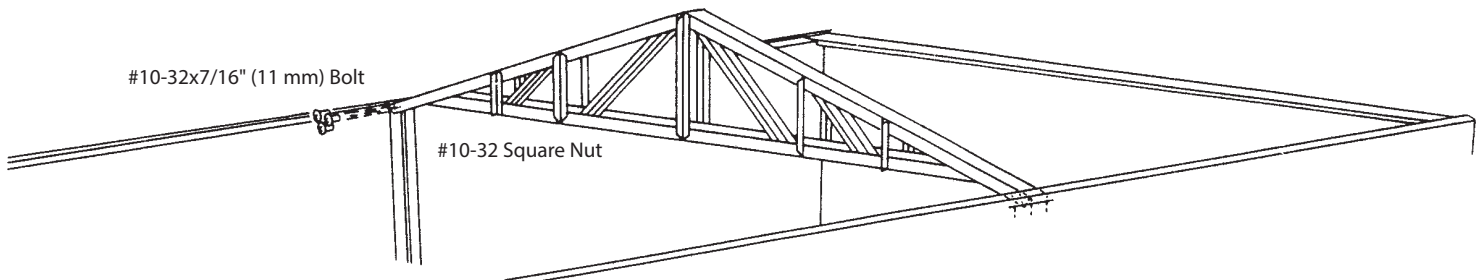
Step 15

Parts Needed For Truss 12x17, 12x24 & 12x31 (3,7 m x 5,2 m / 3,7 m x 7,3 m / 3,7 m x 9,4 m)

Truss Assembly (see below)

1 Position Truss Assembly on building by sliding truss upper chords over truss columns and fasten with 6 bolts and nuts on each side.

IF YOU ARE BUILDING A 12x24 (3,7 m x 7,3 m)
Install 2 trusses on truss columns.
IF YOU ARE BUILDING A 12x31 (3,7 m x 9,4 m)
Install 3 trusses on truss columns.



Step 16

Parts Needed For

Roof Beams 12x17, 12x24 & 12x31
 (3,7 m x 5,2 m / 3,7 m x 7,3 m / 3,7 m x 9,4 m)

Right Gable Assembly (1)
 10462 Roof Beam (4)
 Left Gable Assembly (1)
 6382 Center Gable Brace (1)
 10462 Roof Beam Assembly (1)
 6372 Gable Strut (2)

BW27

1 Lift and fasten a right gable assembly at top of lintel using bolts & screws.

2 Install single roof beams 10462 to the gable braces at the front section.

3 Lift and fasten a left gable assembly in the same manner.

4 Join left and right gables together with a center gable brace using 3 bolts and nuts, at middle holes.

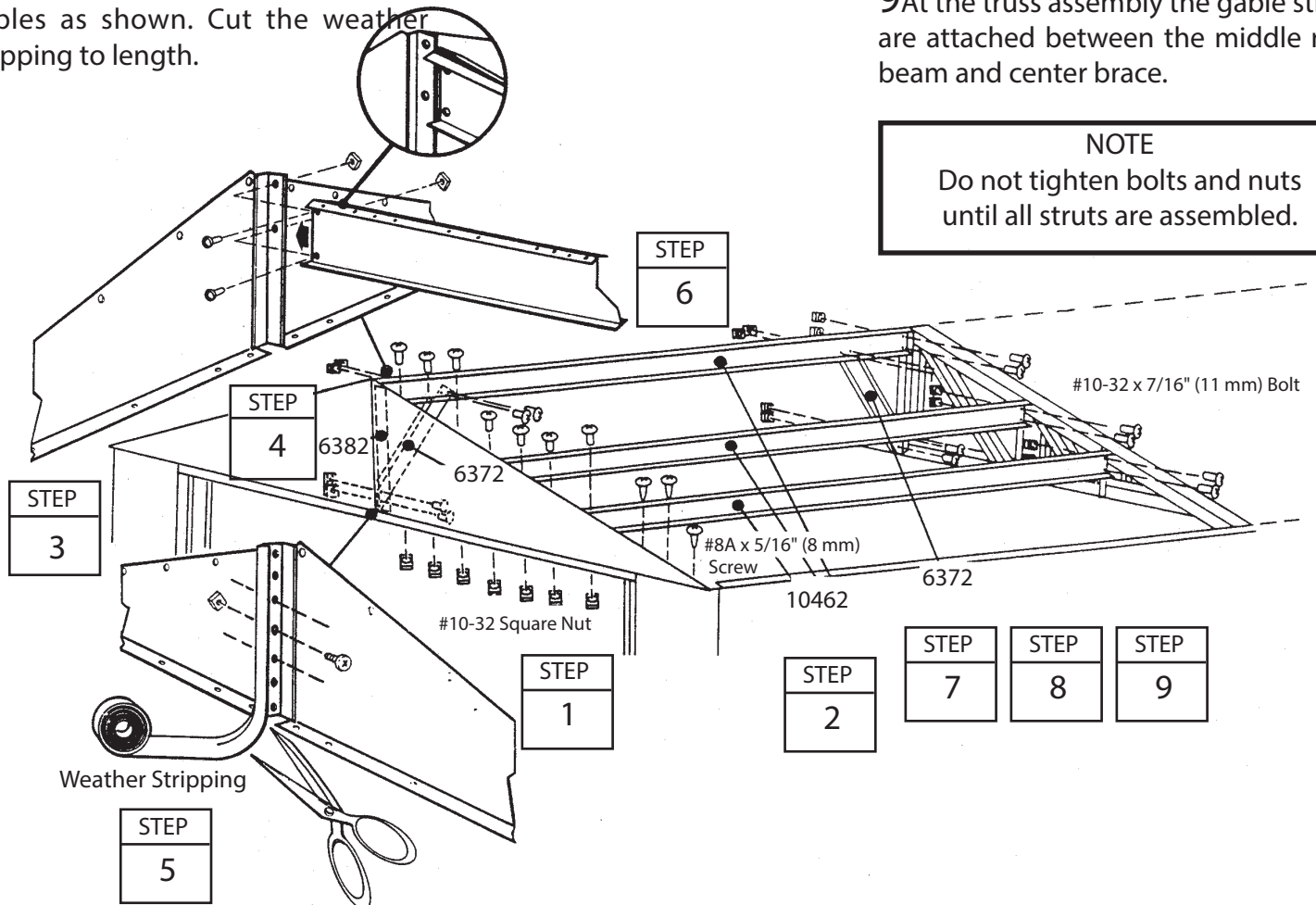
5 Apply weather stripping along the mating edge of the left and right gables as shown. Cut the weather stripping to length.

6 Install single roof beams to the left side of building in the same manner. Slide a roof beam assembly 10462 over center gable flange and other end over center gable braces on truss and fasten using bolts & nuts.

7 Fasten a gable strut to the middle roof beam behind the front gable by placing tab on end of strut between the roof beams. Align the tab with holes and fasten strut with 2 bolts.

8 Fasten the lower end of the strut to center gable flange with 2 bolts.

9 At the truss assembly the gable struts are attached between the middle roof beam and center brace.



NOTE
 Do not tighten bolts and nuts until all struts are assembled.