

# Step 17

BW28

## Parts Needed For

**Roof Beams 12x17, 12x24 & 12x31**  
(3,7 m x 5,2 m / 3,7 m x 7,3 m / 3,7 m x 9,4 m)

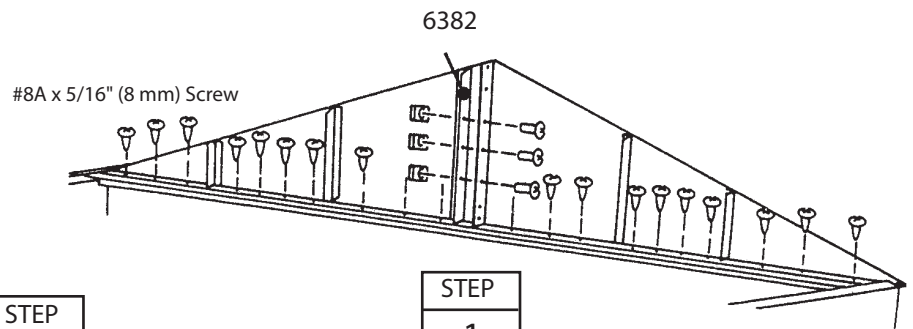
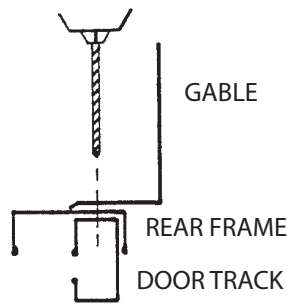
Right Gable Assembly (1)  
Left Gable Assembly (1)  
7912 Roof Beam (4)  
6382 Center Gable Brace (1)  
7912 Roof Beam Assembly (1)  
6372 Gable Strut (2)

1 Fasten gables to rear frame using all screws.

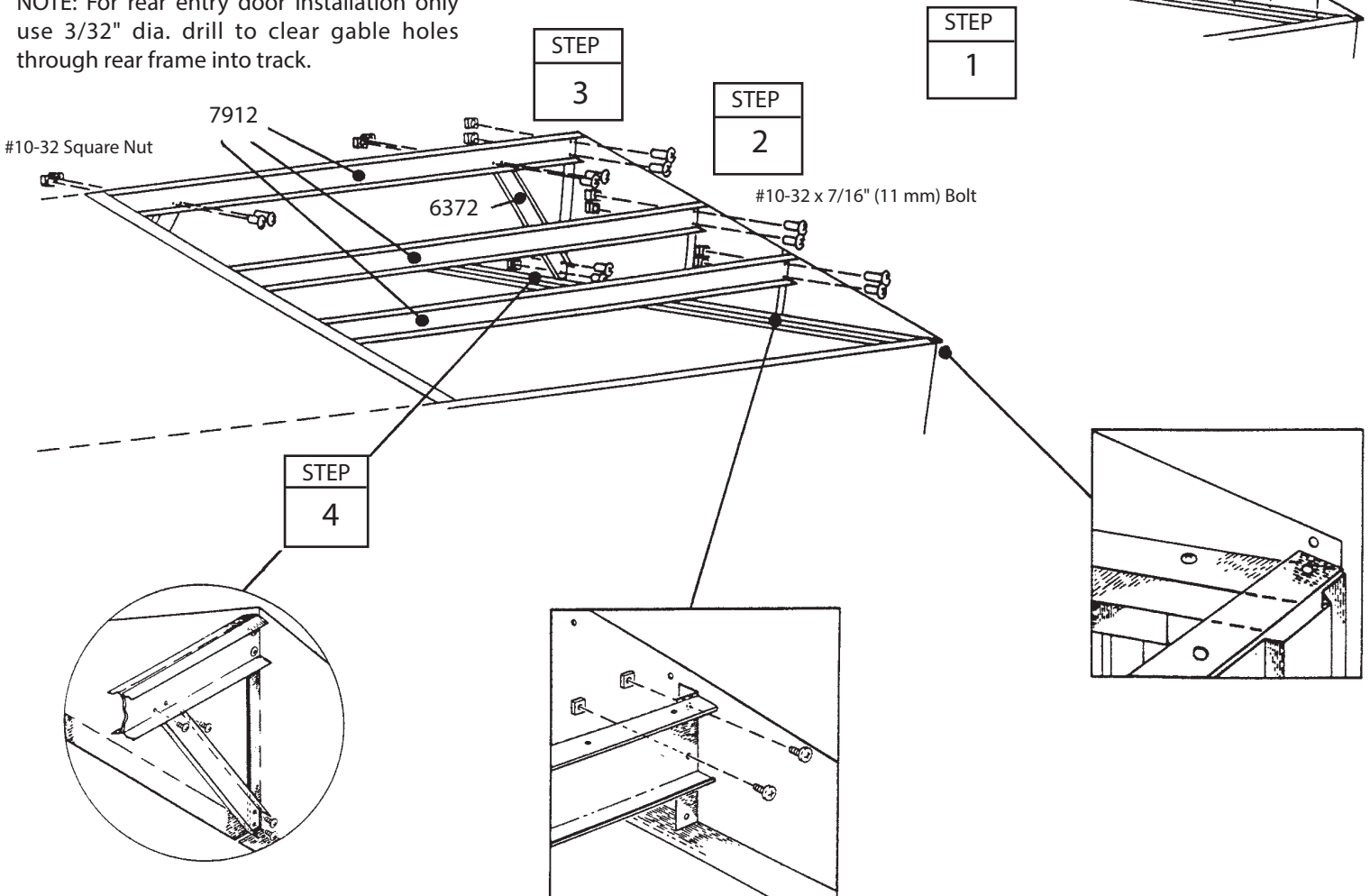
2 Install single roof beams 7912 and center gable brace to rear section in the same manner.

3 Fasten roof beam assembly 7912 and struts as before.

4 Fasten gable strut to rear of building.



NOTE: For rear entry door installation only use 3/32" dia. drill to clear gable holes through rear frame into track.



# Step 18

BW29

## Parts Needed For Roof Beams 12x10 (3,7 m x 3,0 m)

Right Gable Assembly (2)  
Left Gable Assembly (2)  
6382 Center Gable Brace (2)  
10462 Roof Beam (4)  
10462 Roof Beam Assembly (1)  
6372 Gable Strut (2)

1 Lift and fasten a right gable assembly at top of lintel using bolts & screws.

2 Lift and fasten a left gable assembly at top of rear frame using screws.

3 Install single roof beams to gable braces using bolts and nuts.

4 Fasten gables to left side of building in the same manner.

5 Join left and right gables together with a center gable brace using 3 bolts and nuts, at middle holes.

6 Apply weather stripping along the mating edge of the left and right gables as shown. Cut the weather stripping to length.

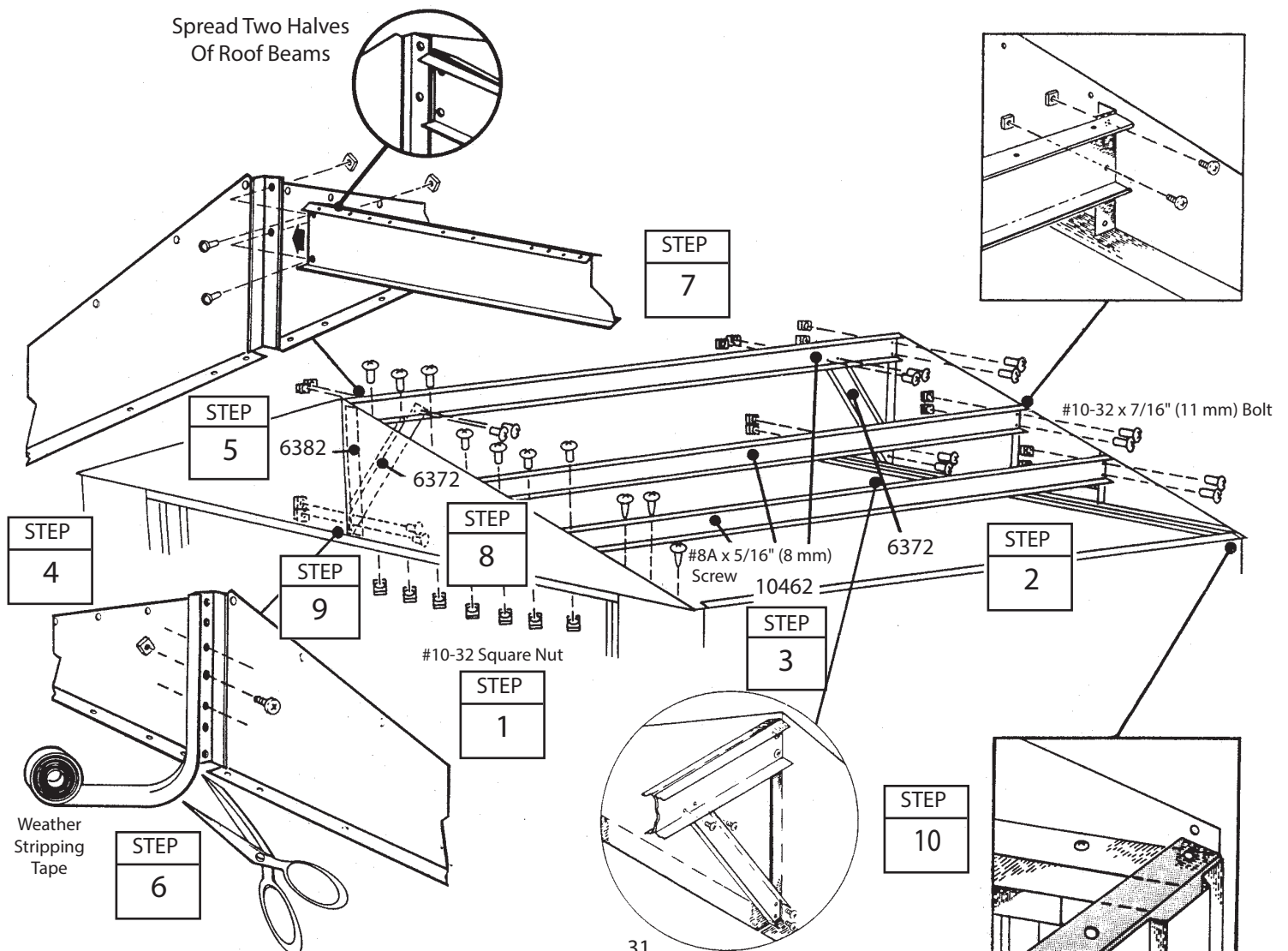
7 Install single roof beams to the left side of building in the same manner. Slide a roof beam assembly over center gable flange and fasten.

8 Fasten a gable strut to the middle roof beam behind the front gable by placing tab on end of strut between the roof beams. Align the tab with holes and fasten strut with 2 bolts.

9 Fasten the lower end of the strut to center gable flange with 2 bolts.

10 Repeat Steps 8 & 9 for rear of building.

**NOTE**  
Do not tighten bolts and nuts until the strut is assembled at rear.



# Step 19

## Squaring the Building All Sizes

BW30

1 Square the building on the foundation and at the top, by measuring diagonally from corner to corner as previously done.

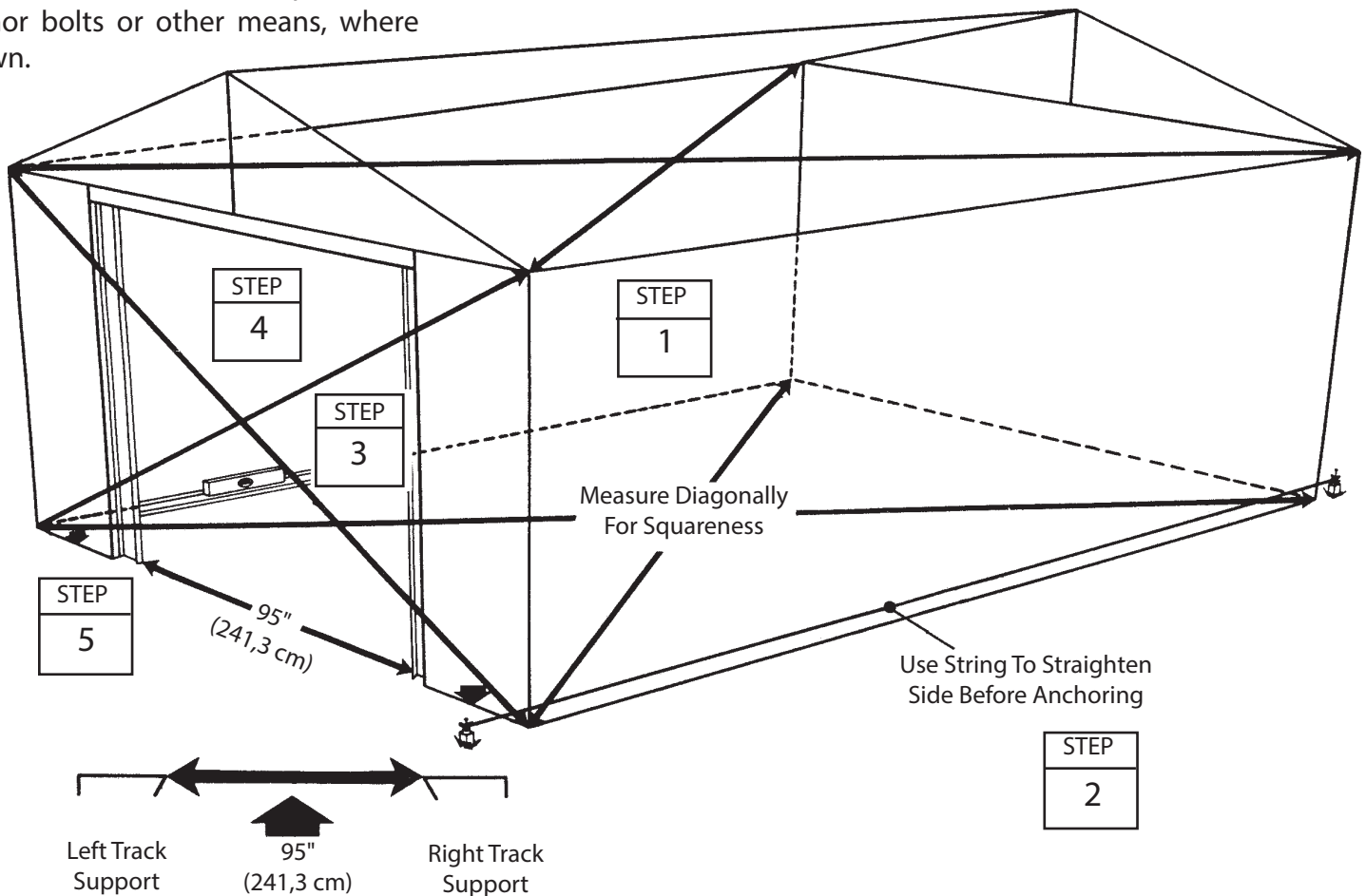
2 Use string to check and see if the sides and rear of building are straight, not bowed inward or outward.

3 Level the full perimeter of the floor frame. Shim under with wood shingles if necessary.

4 Square the front of building as previously done for base.

5 Anchor front frame to concrete with 1/4" (6 mm) diameter expandable anchor bolts or other means, where shown.

**NOTE**  
The 95" (241,3 cm) door opening must be held for proper door alignment. Measure between the left and right track support.



# Step 20

## Parts Needed For Corner Roof Panels All Sizes

7826 Right Roof Panel (2)  
7827 Left Roof Panel (1)

BW31

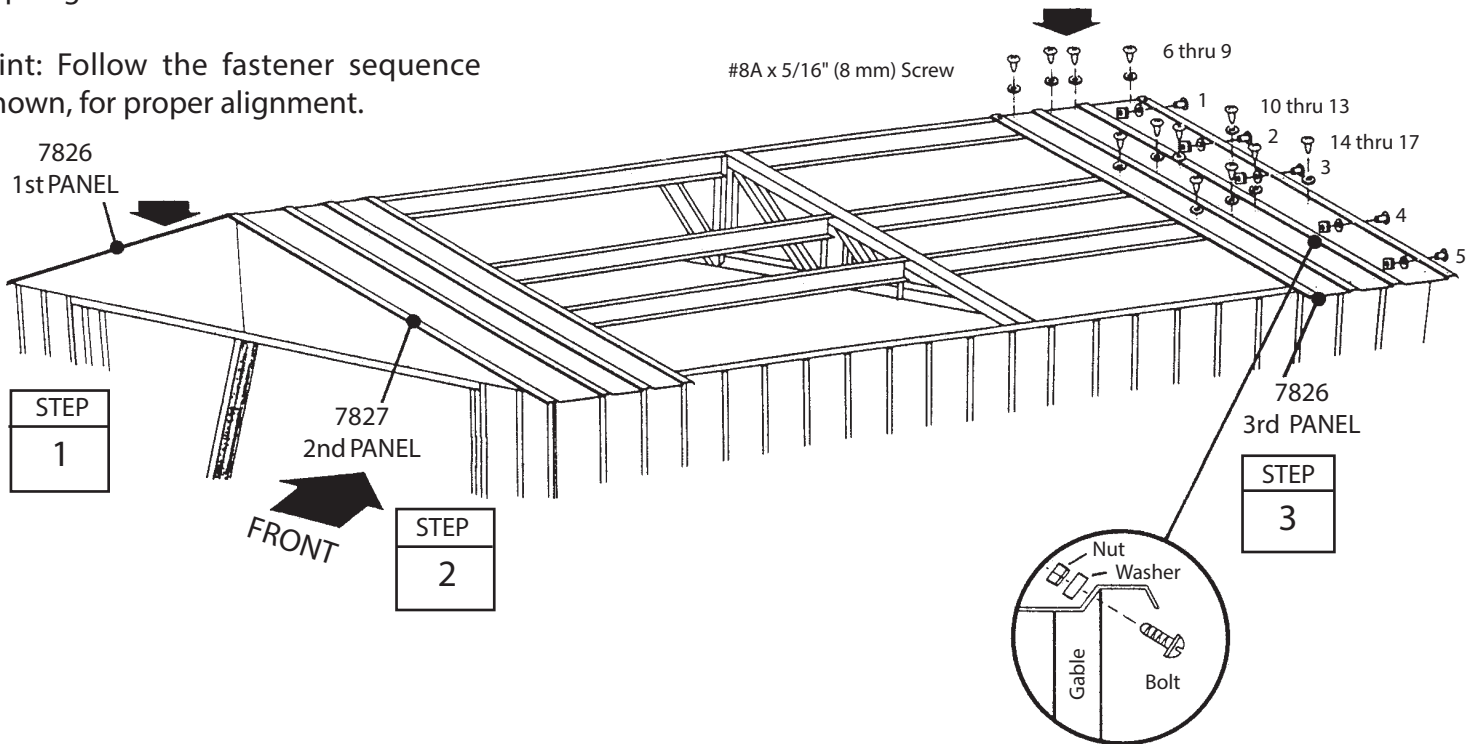
Installing the roof panels is best done with a step ladder. Each screw and bolt in the roof requires a washer. Support lintel by propping up at center with a wood 2x4 (38 mm x 89 mm) until sag is gone and there are no buckles in gables.

**1** Position a right roof panel at the front left corner and fasten to the gable and roof beams using screws and bolts as shown. Do not fasten the lower end of the panels to the side top angle at this time.

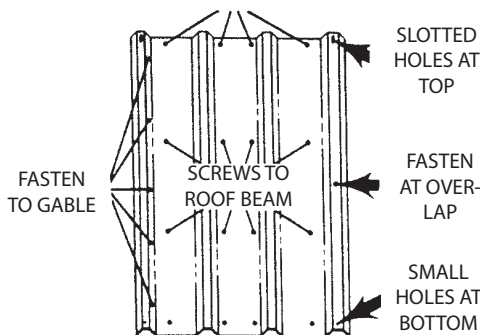
Hint: Follow the fastener sequence shown, for proper alignment.

**2** Install the left roof panel for the right side in the position shown. Remove lintel support.

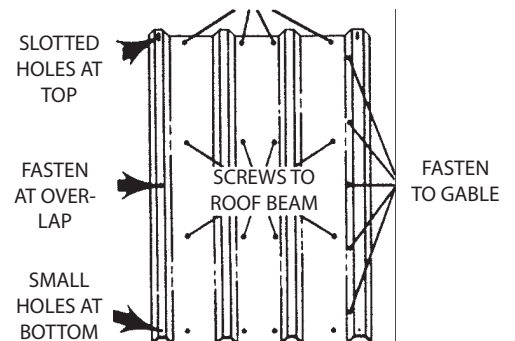
**3** Temporarily install a second right roof panel loosely as shown, for removal later. Do not fasten left rear panel at this time.



LEFT CORNER ROOF PANEL  
SCREWS TO ROOF BEAM



RIGHT CORNER ROOF PANEL  
SCREWS TO ROOF BEAM



**NOTE**  
If roof beam holes do not line up with the roof panel holes, shift the building from left to right. If this does not help, your building may not be level. Shim the corners until holes line up.

# Step 21

BW32

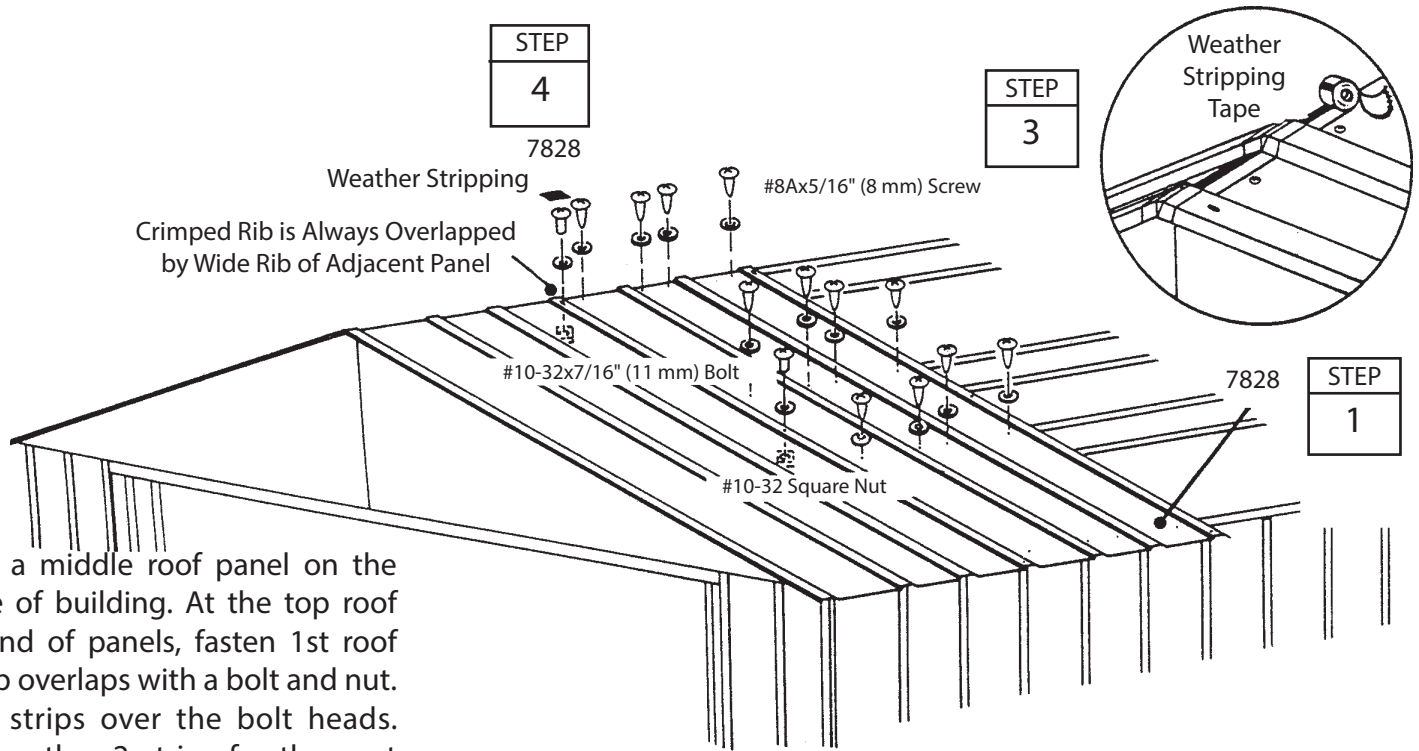
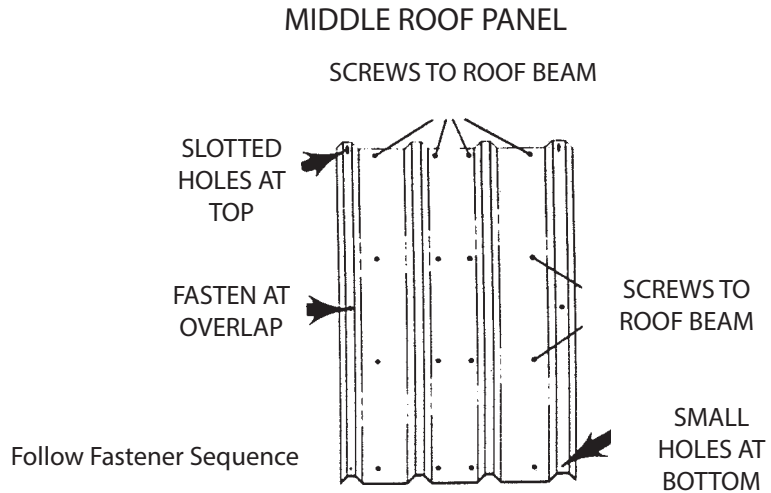
## Parts Needed For Roof Panels 12x10 (3,7 m x 3,0 m)

7828 Middle Roof Panel (2)

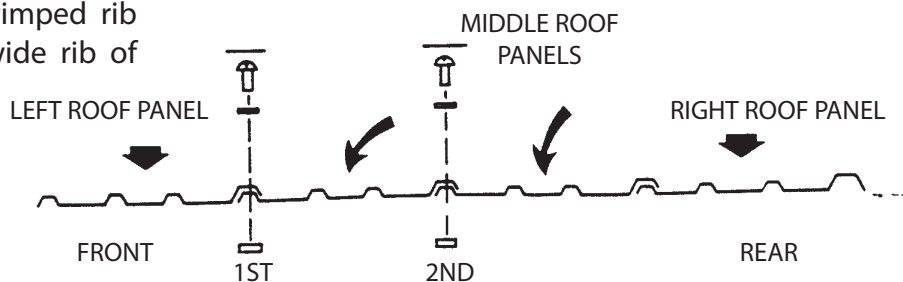
1 Position middle roof panel overlapping rib of left corner roof panel. Fasten overlap at center of roof panel rib using a bolt and nut. Fasten to roof beams as before using screws.

2 Cut the weather stripping tape into 4 strips, each strip being about 2" (5,1 cm) long.

3 Cover the joint at the peak with weather stripping tape. Unroll the tape and press it down over the opening at the ridge as you install each roof panel. Do not cut the tape at this time.



4 Install a middle roof panel on the left side of building. At the top roof beam end of panels, fasten 1st roof panel rib overlaps with a bolt and nut. Press 2 strips over the bolt heads. Save the other 2 strips for the next overlap. Remember, the crimped rib is always overlapped by wide rib of adjacent panel.



# Step 22

Parts Needed For

**Roof Panels 12x17, 12x24 & 12x31**  
 (3,7 m x 5,2 m / 3,7 m x 7,3 m / 3,7 m x 9,4 m)

7828 Middle Roof Panel  
 (see below)

BW33

**1** Position middle roof panel overlapping rib of left corner roof panel. Fasten overlap at center of roof panel rib using a bolt and nut. Fasten to roof beams as before using screws.

**2** Cut the weather stripping tape into 8 strips, each strip being about 2" (5,1 cm) long.

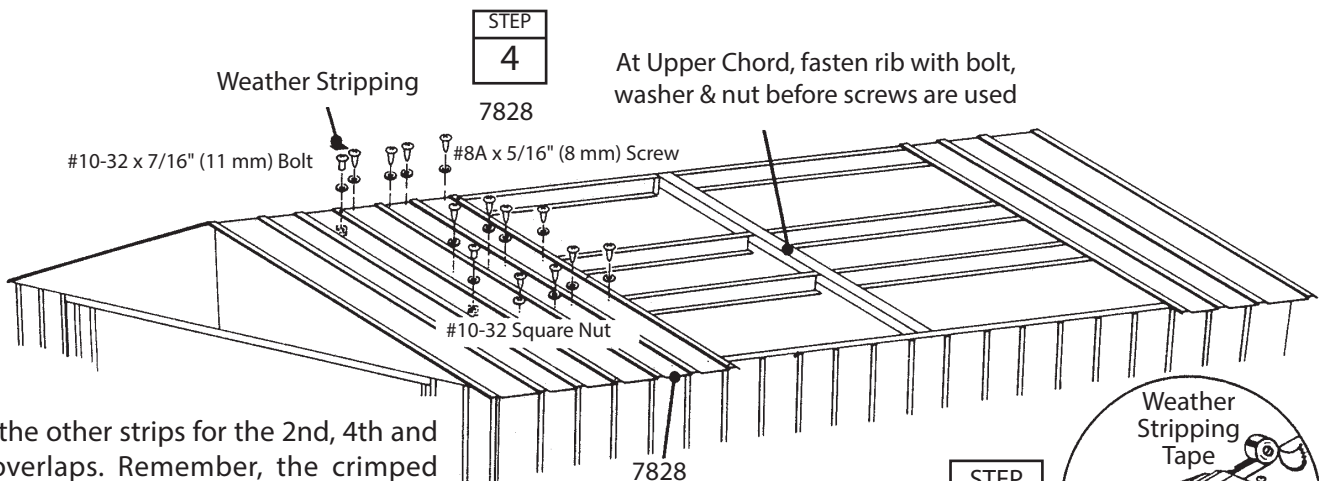
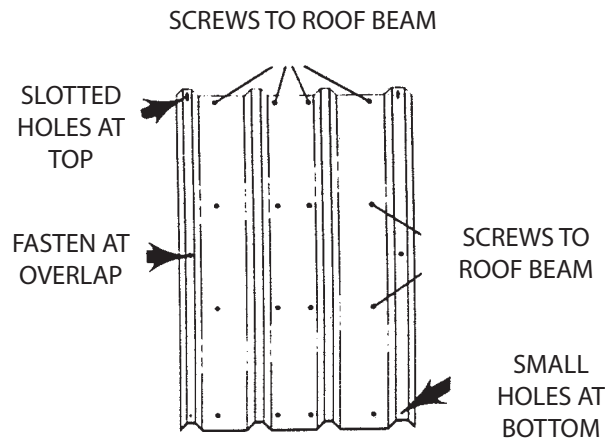
**3** Cover the joint at the peak with weather stripping tape. Unroll the tape and press it down over the opening at the ridge as you install each roof panel. Do not cut the tape at this time.

**4** Install a middle roof panel on the left side of building. At the top roof beam end of panels, fasten 1st roof panel rib overlaps with a bolt and nut. Press 2 strips over the bolt heads.

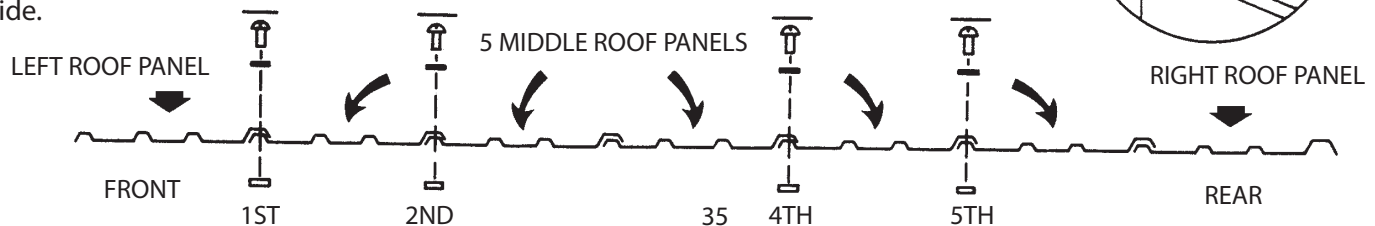
IF YOU ARE BUILDING A 12x24 (3,7 m x 7,3 m)  
 Cut 12 - 2" (5,1 cm) strips. There are 3 extra middle roof panels on each side of building. Fasten 7th and 8th panel overlap and apply strip over head of bolt, along with ridge caps.

IF YOU ARE BUILDING A 12x31 (3,7 m x 9,4 m)  
 Cut 16 - 2" (5,1 cm) strips. There are 6 extra middle roof panels on each side of building. Fasten 7th, 8th, 10th & 11th panel overlap and apply strip over head of bolt, along with ridge caps.

## MIDDLE ROOF PANEL



Save the other strips for the 2nd, 4th and 5th overlaps. Remember, the crimped rib is always overlapped by wide rib of adjacent panel. Repeat procedure with 2 more middle roof panels working side to side.



STEP 3

STEP 1

# Step 23

## Parts Needed For Ridge Caps 12x10 (3,7 m x 3,0 m)

7828 Middle Roof Panel (2)  
7843 Ridge Cap (1)  
7827 Left Roof Panel (1)  
6874 Ridge Cap (1)

BW34

1 Temporarily remove right rear roof panel.

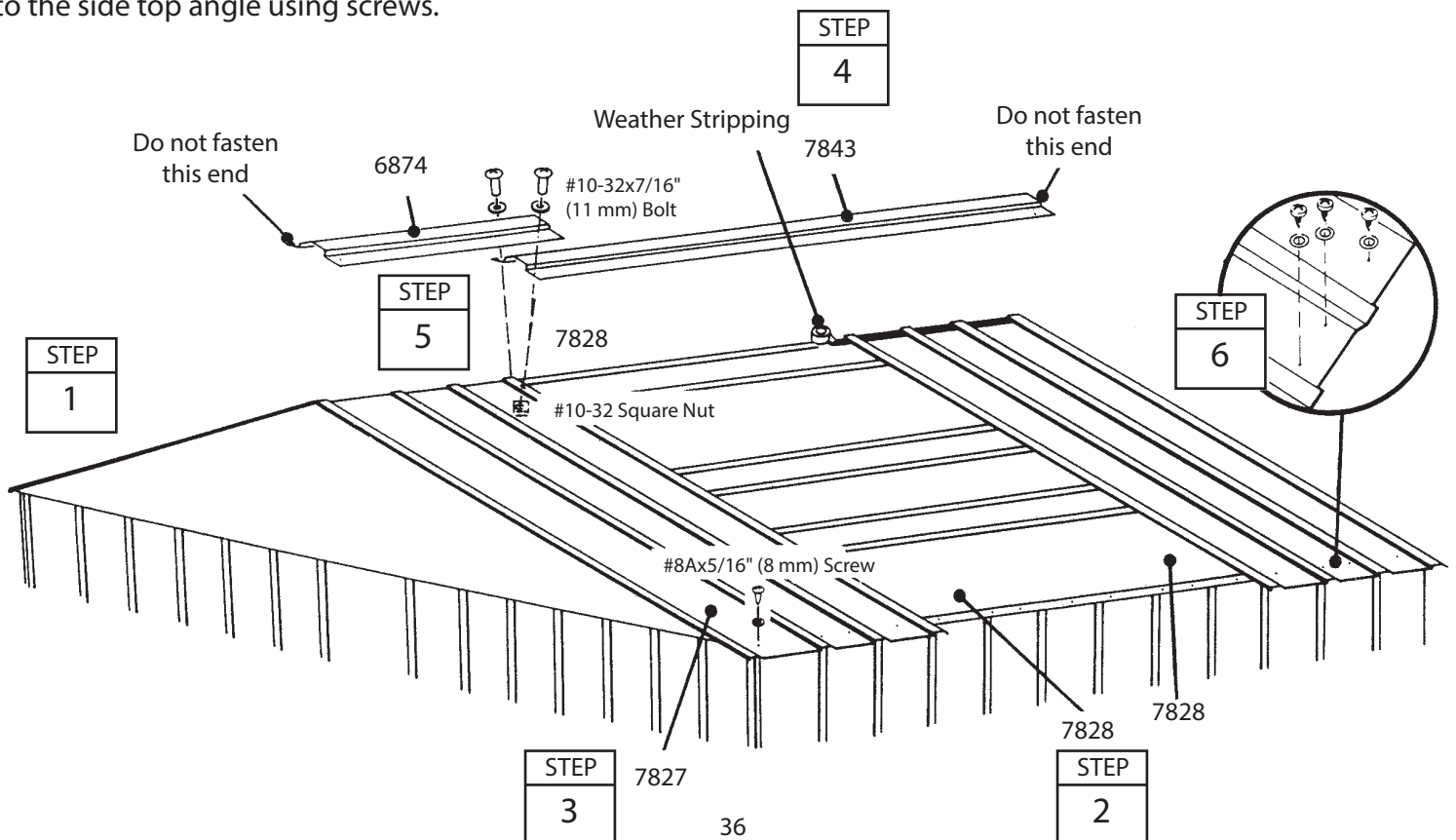
2 Install 2 middle roof panels. Fasten 2nd roof panel rib overlaps with a bolt and nut. Press 2 strips over the bolt heads. Continue weather stripping.

3 Install the right and left roof panels at the rear gables. Follow fastener sequence.

4 Position a ridge cap 7843 on the completed front roof section.

5 Install the second ridge cap 6874 overlapping the first ridge cap. Align the holes and fasten using bolts.

6 Fasten the lower end of the panels to the side top angle using screws.



# Step 24

BW35

## Parts Needed For Ridge Caps 12x17, 12x24 & 12x31 (3,7 m x 5,2 m / 3,7 m x 7,3 m / 3,7 m x 9,4 m)

7828 Middle Roof Panel (see below)  
7843 Ridge Cap (see below)  
7827 Left Roof Panel (1)  
6874 Ridge Cap (1)

1 Continue weather stripping and fastening overlaps.

2 Position a ridge cap 7843 on the completed front roof section.

3 Install 2 middle roof panels.

4 Install the second ridge cap 7843 overlapping the first ridge cap. Align the holes and fasten using bolts.

5 Temporarily remove right rear roof panel. Install 4 middle roof panels. As each panel is fastened, carefully raise 2nd ridge cap slightly away from panels for fasteners and tape.

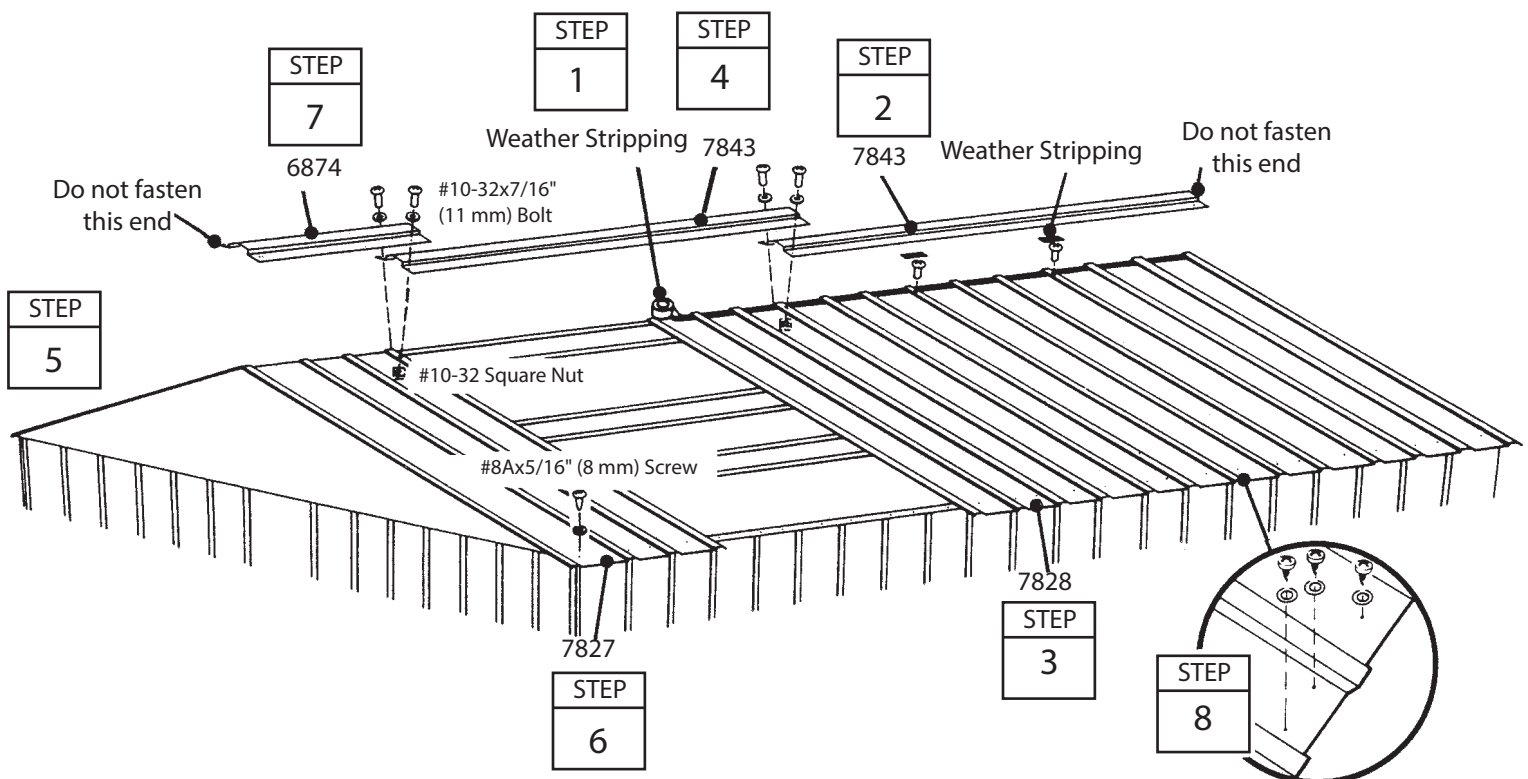
6 Install the right and left roof panels at the rear gables. Follow fastener sequence.

7 Install the third ridge cap 6874 overlapping the second ridge cap. Align the holes and fasten using bolts.

8 Fasten the lower end of the panels to the side top angle using screws.

IF YOU ARE BUILDING A 12x24 (3,7 m x 7,3 m)  
Replace ridge cap 6874 with an additional ridge cap 7843 and install ridge cap 6874 to rear of building.

IF YOU ARE BUILDING A 12x31 (3,7 m x 9,4 m)  
Replace ridge cap 6874 with 2 additional ridge caps 7843 and install ridge cap 6874 to rear of building.





# Step 25

## Parts Needed For Trim 12x10 (3,7 m x 3,0 m)

5220 Side Roof Trim (2)  
6014 Side Roof Trim (2)  
7846 Right Rake (2)  
7845 Left Rack (2)

BW36

1 Attach the side roof trim to the lower end of the roof panels on each side of the building using screws at each panel overlap.

### NOTE

A single screw fastens both trim pieces at the overlap.

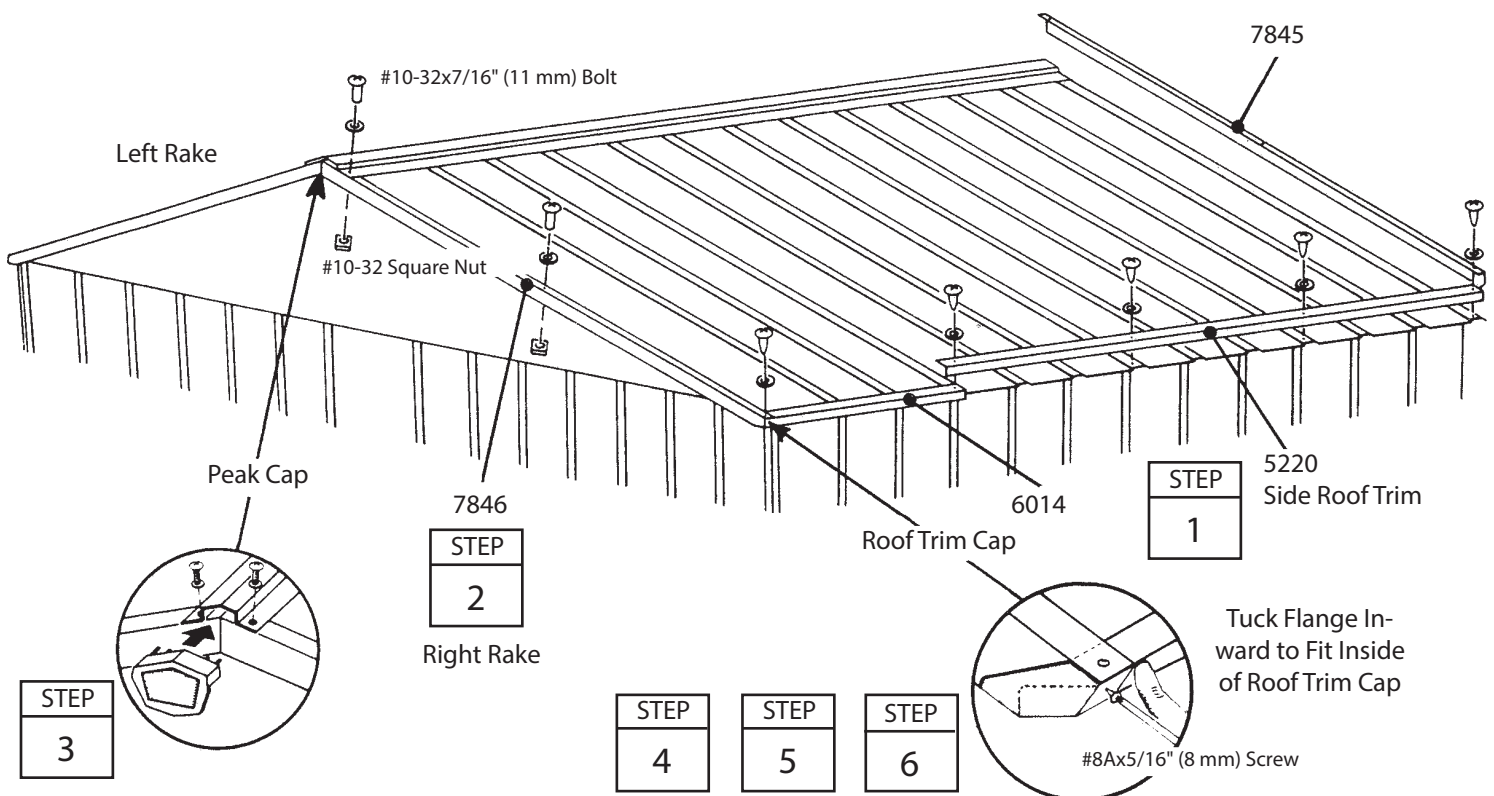
2 Position left and right rake to the ends of roof, noting that rake slips under ridge cap, but fits on top of side roof trim. Fasten rake to the center of roof panel rib using a bolt.

3 Fasten roof panel rib, rake, peak cap and ridge cap together using bolts and nuts. Fasten remaining peak cap in the same manner.

4 Using your thumb and index finger, overbend the bottom flange of the side roof trim at the corner inward enough so the right and left roof trim caps fit onto right and left corners.

5 Fasten rake to side trim using a screw into roof panel.

6 Fasten the roof trim caps to the side trim using a screw.



# Step 26

BW37

## Parts Needed For Trim 12x17, 12x24 & 12x31 (3,7 m x 5,2 m / 3,7 m x 7,3 m / 3,7 m x 9,4 m)

5220 Side Roof Trim (see below)  
6014 Side Roof Trim (2)  
7845 Left Rack (2)  
7846 Right Rake (2)

1 Attach the side roof trim to the lower end of the roof panels on each side of the building using screws at each panel overlap.

### NOTE

A single screw fastens both trim pieces at the overlap.

2 Position left and right rake to the ends of roof, noting that rake slips under ridge cap, but fits on top of side roof trim. Fasten rake to the center of roof panel rib using a bolt.

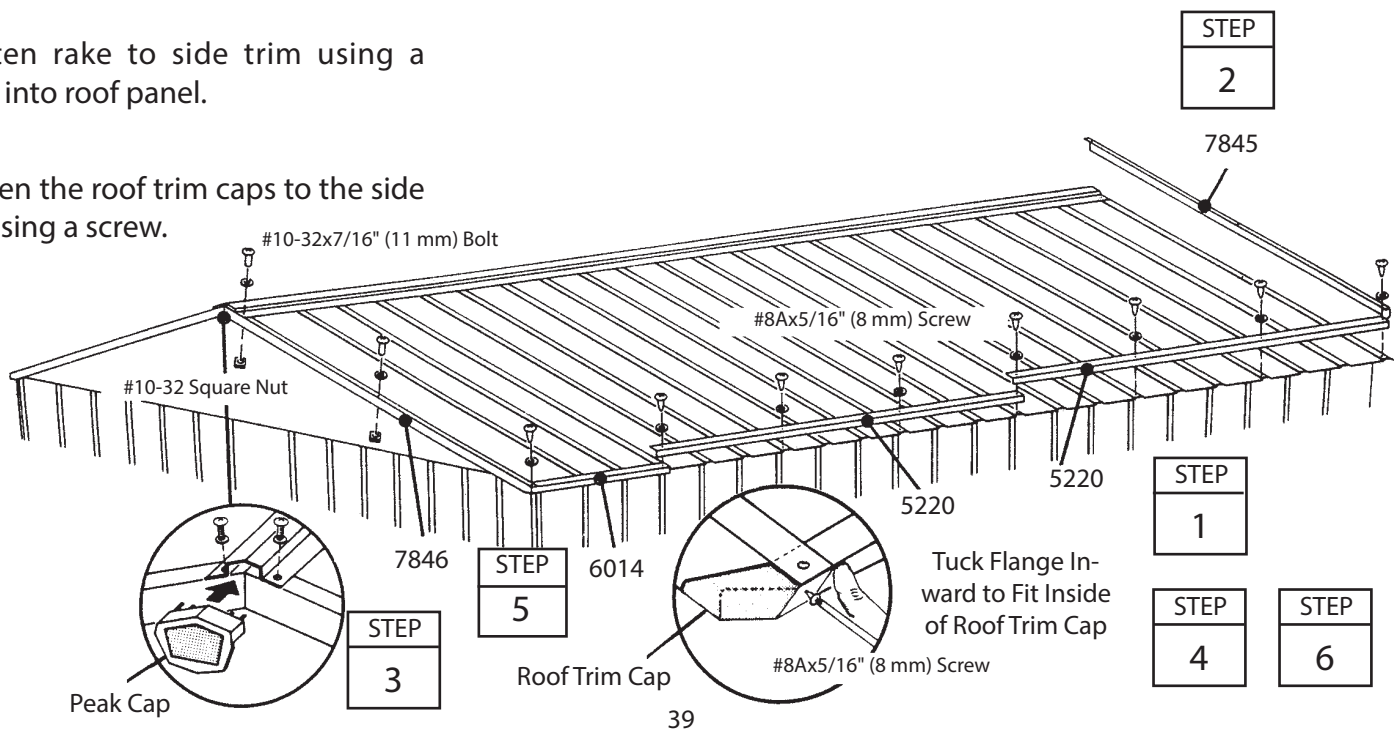
3 Fasten roof panel rib, rake, peak cap and ridge cap together using bolts and nuts. Fasten remaining peak cap in the same manner.

4 Using your thumb and index finger, overbend the bottom flange of the side roof trim at the corner inward enough so the right and left roof trim caps fit onto right and left corners.

5 Fasten rake to side trim using a screw into roof panel.

6 Fasten the roof trim caps to the side trim using a screw.

IF YOU ARE BUILDING A 12x24 (3,7 m x 7,3 m)  
Install additional side roof trim 5220 towards rear of building.  
IF YOU ARE BUILDING A 12x31 (3,7 m x 9,4 m)  
Install 2 additional side roof trim 5220 pieces towards rear of building.



# Step 27

## Parts Needed For Side or Rear Entry Door All Sizes

10474 Door (1)  
3719 Door Handle Brace (1)  
7947 Vertical Door Brace (1)  
10497 Horizontal Door Brace (2)

BW38

### NOTE

To assemble door to slide from left to right (opening), position door with handle holes on left side of door. Position handle holes on right side if door is to slide from right to left (opening).

Each bolt and screw in the door requires a washer.

**1** Attach the door handle brace and handle to the door with 1 bolt as shown. Don't tighten the bolt yet.

**2** Swing the door handle brace up to the hole in the center of the door and insert a screw.

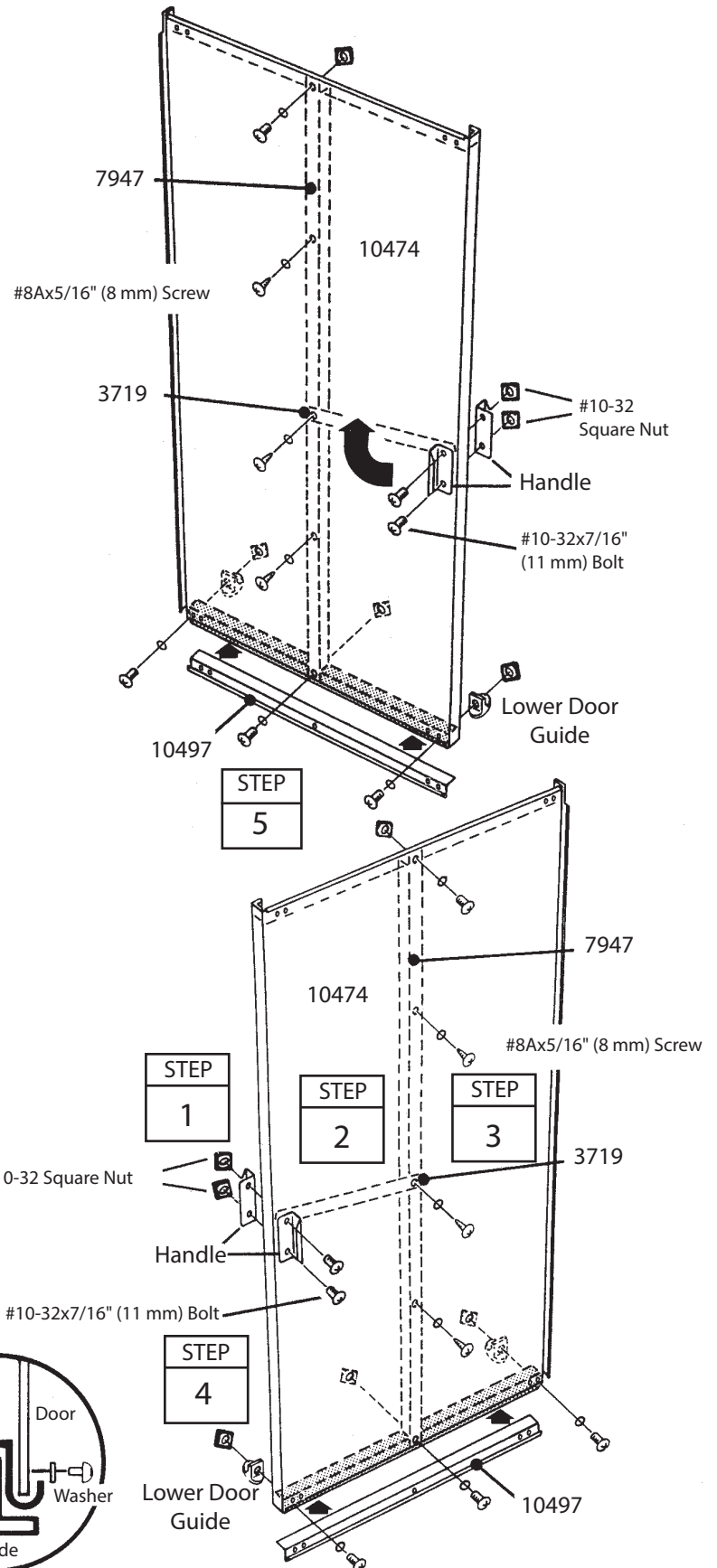
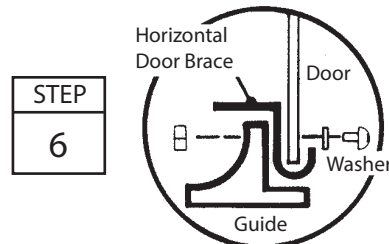
**3** Hold the vertical door brace against the center of the inside surface of the door and turn the screw to hold the vertical door brace and door handle brace in place. Fasten to door above and below center connection using 2 screws.

**4** Insert a second bolt in the door handle and tighten both bolts.

**5** Put a horizontal door brace onto the top edge and bottom edge and fasten with 1 bolt in the center.

**6** Attach the lower door guides and bolts as shown.

END VIEW  
SHOWING:



# Step 28

## Parts Needed For Side or Rear Entry Door All Sizes

Door Assembly (1)

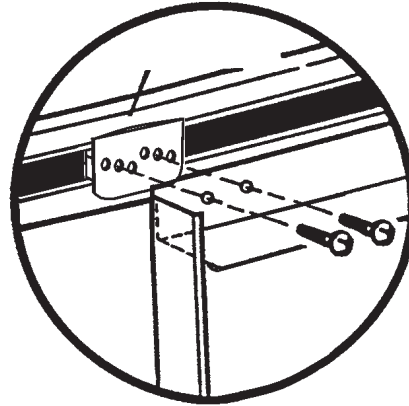
BW39

1 From inside the building, put the bottom of the door behind door jamb into the lower door track.

2 Position the top of the door so that the holes in the door line up with the holes in the door slides.

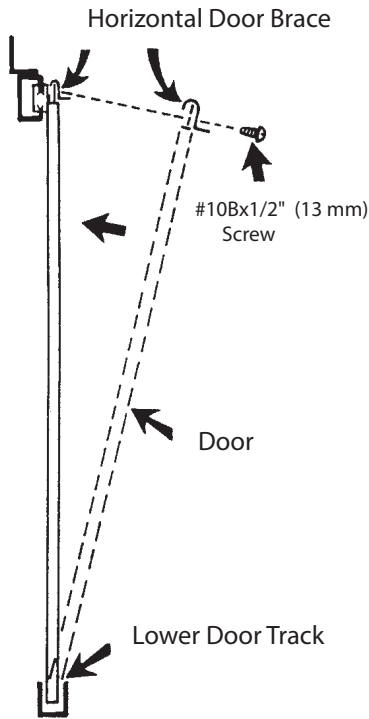
3 Fasten the door to the door slides using two #10Bx1/2" (13 mm) screws per door slide.

**NOTE**  
The holes in the door slides allow you to adjust the door. Place the door in the middle holes.

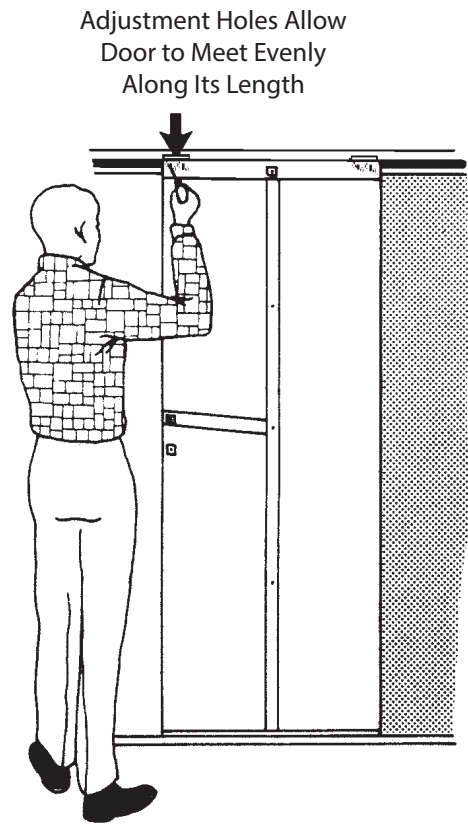


STEP  
2

STEP  
3

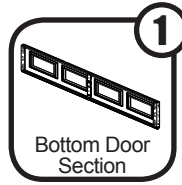
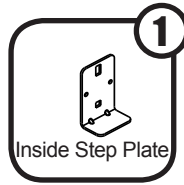


STEP  
1



# Step 29: Bottom Panel

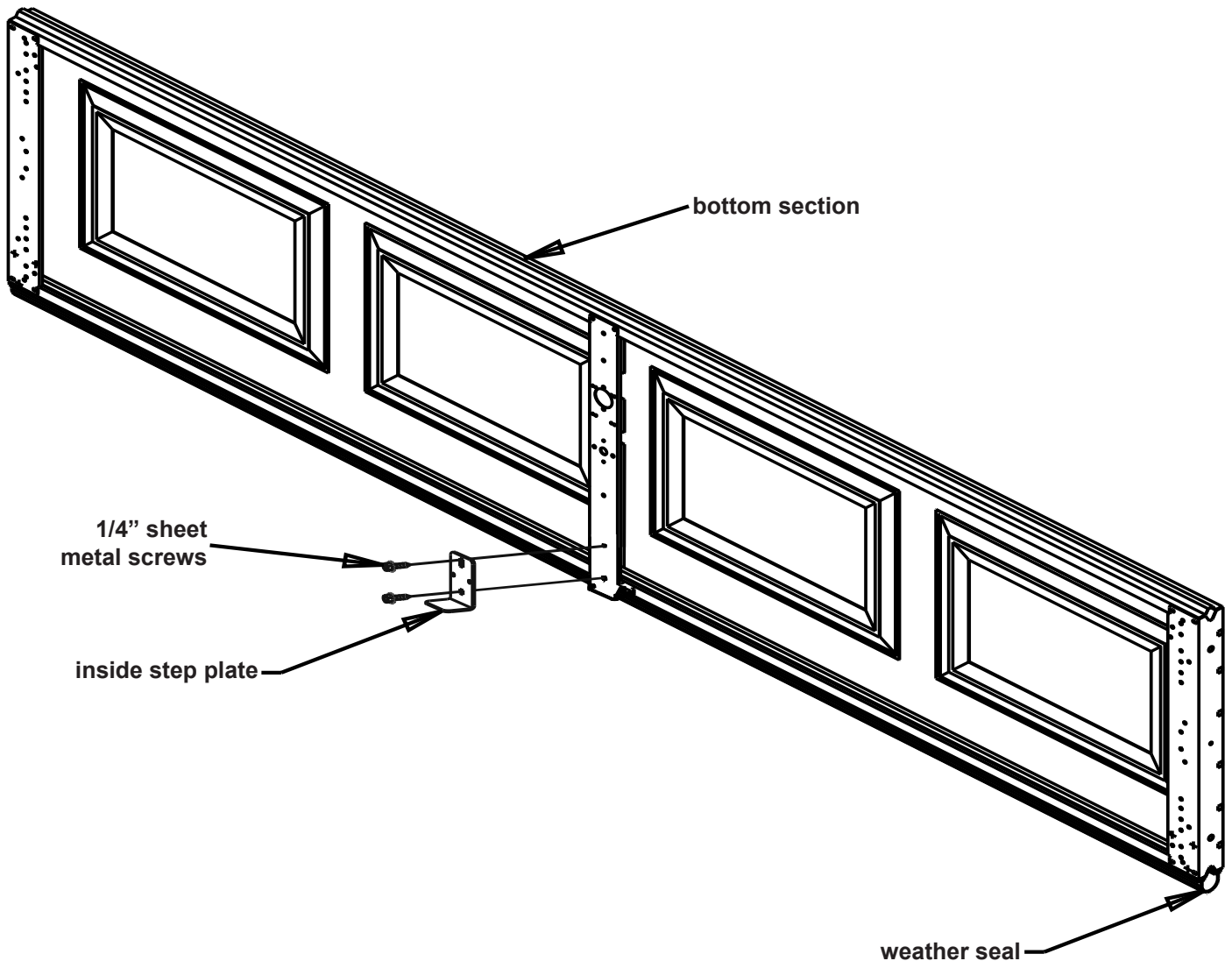
You will need for this page:



## Bottom Gripping Point/Step Plate Kit

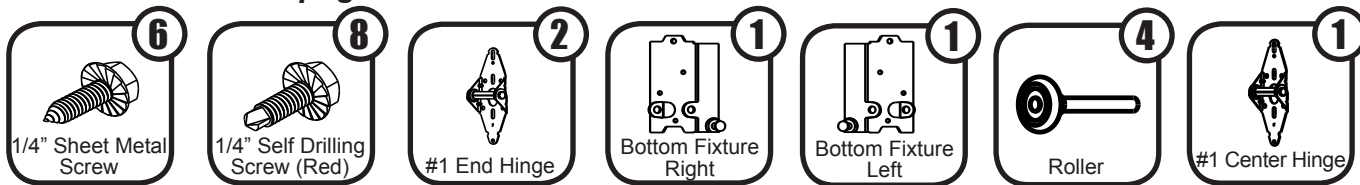
Look for the section with weather seal attached to it. This is the bottom section. Set it on table face down (the face is the outside of the door).

- 1 Use screws to attach the Inside Step Plate to the Bottom Section as shown.



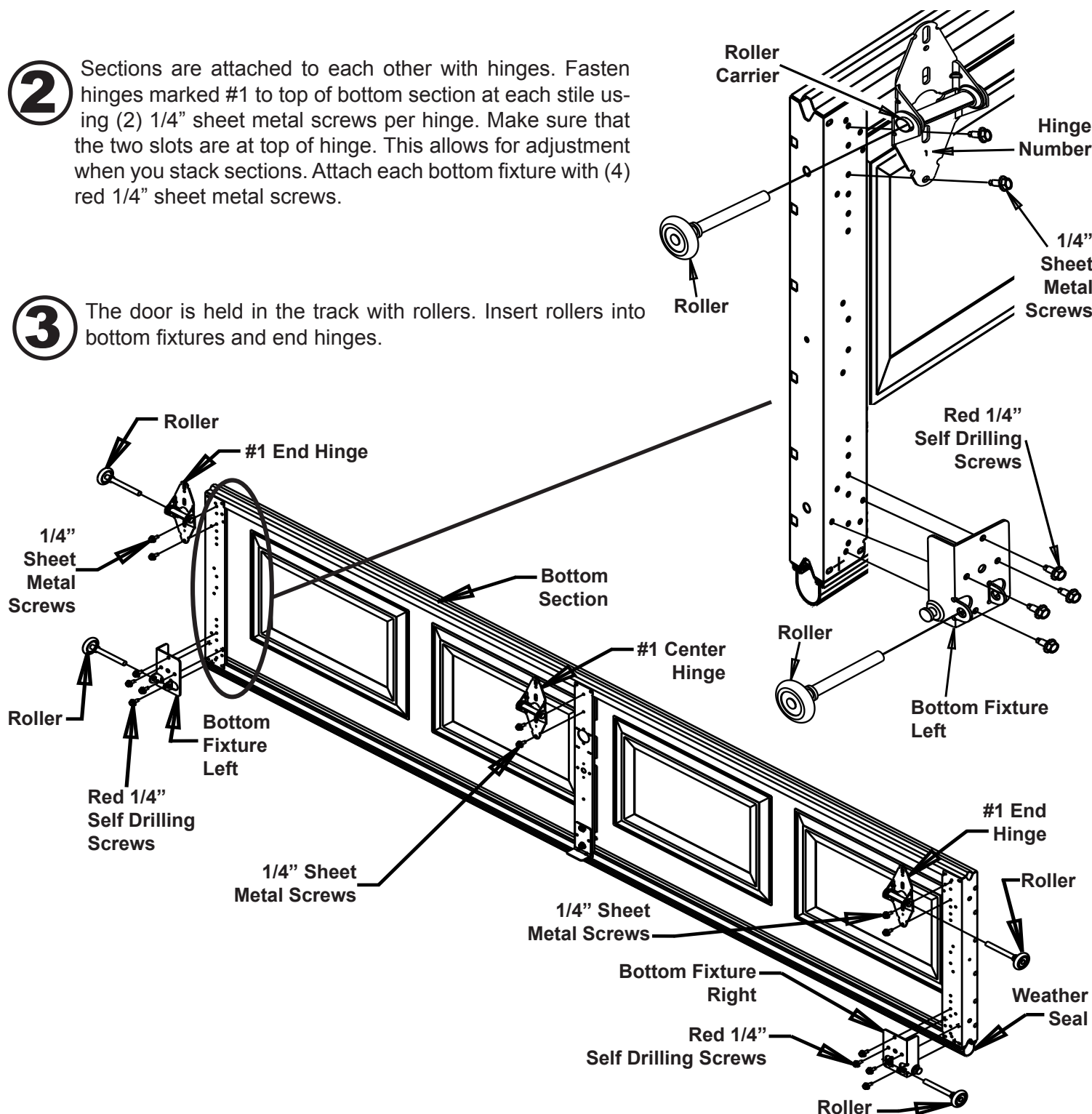
# Step 29: Bottom Panel

You will need for this page:



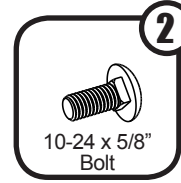
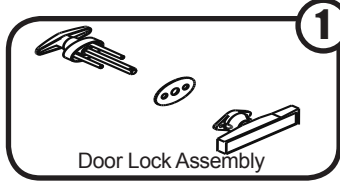
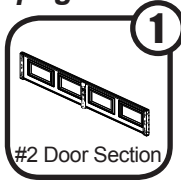
- 2** Sections are attached to each other with hinges. Fasten hinges marked #1 to top of bottom section at each stile using (2) 1/4" sheet metal screws per hinge. Make sure that the two slots are at top of hinge. This allows for adjustment when you stack sections. Attach each bottom fixture with (4) red 1/4" sheet metal screws.

- 3** The door is held in the track with rollers. Insert rollers into bottom fixtures and end hinges.



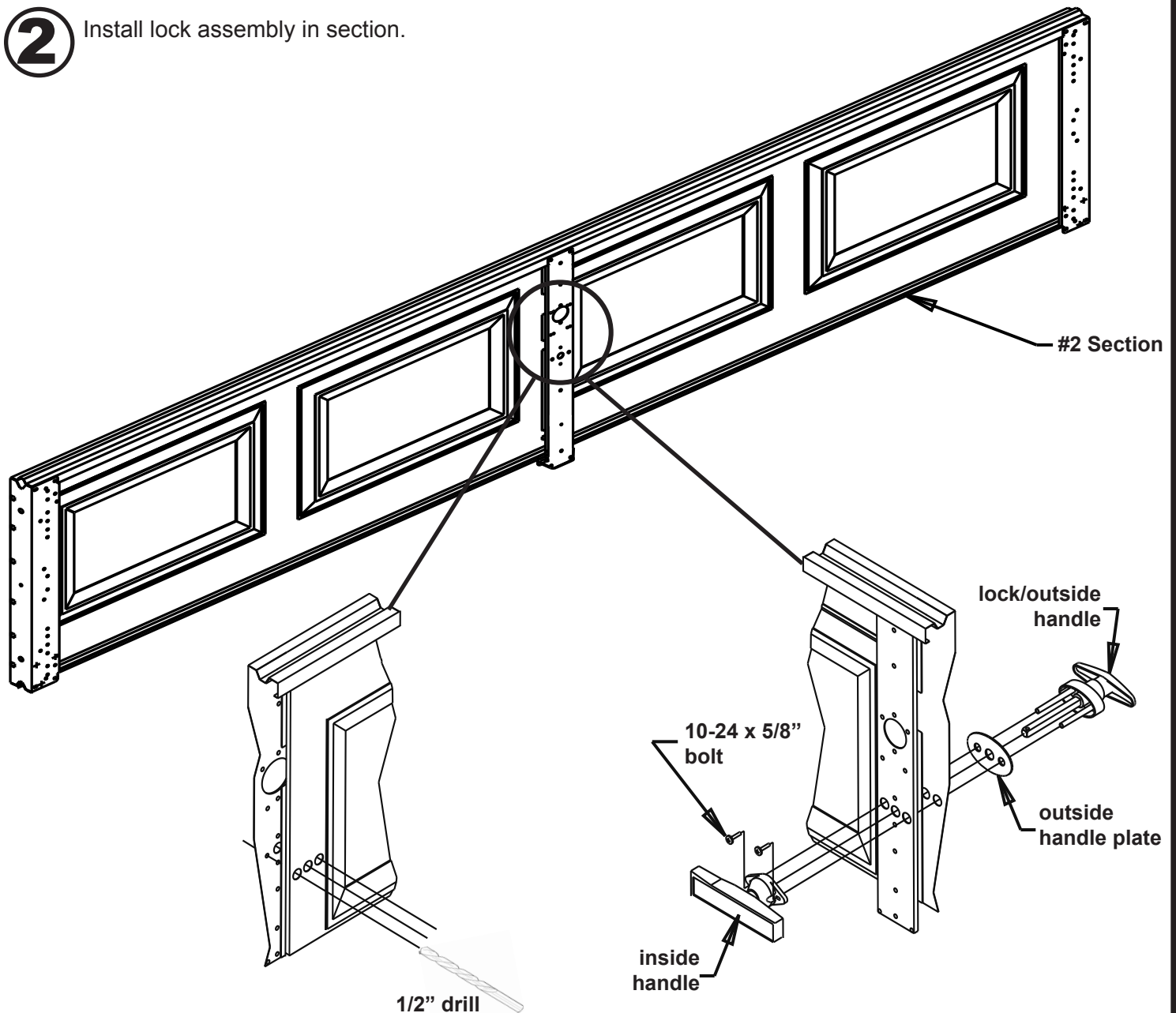
# Step 30: #2 Panel

You will need for this page:



**1** Drill three 1/2" holes into the section face. Drill completely through the section for the middle hole.

**2** Install lock assembly in section.

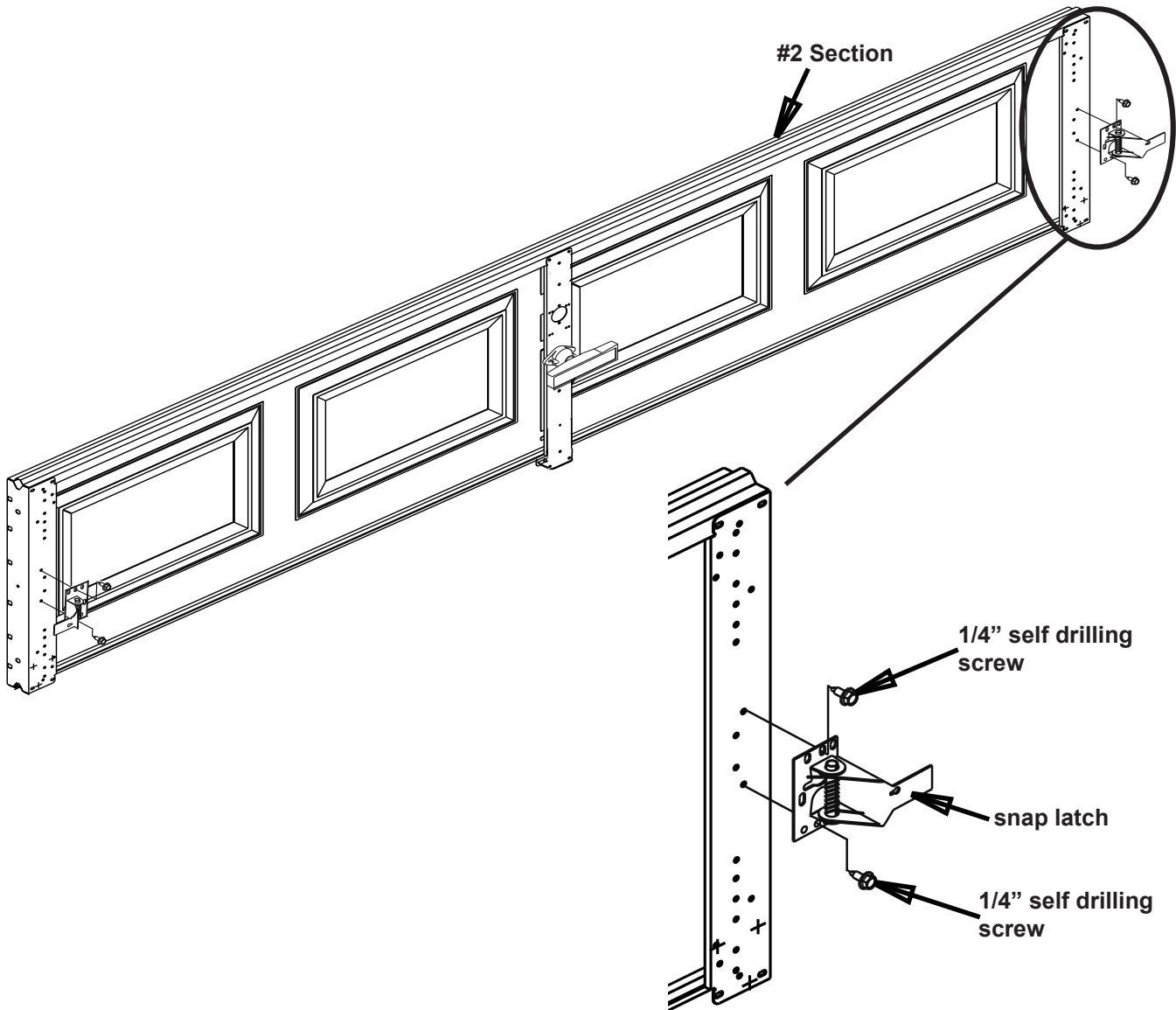


# Step 30: #2 Panel

You will need for this page:



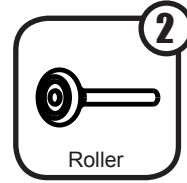
- 3** Attach a snap latch assembly to each end stile using two 1/4" self drilling screws.



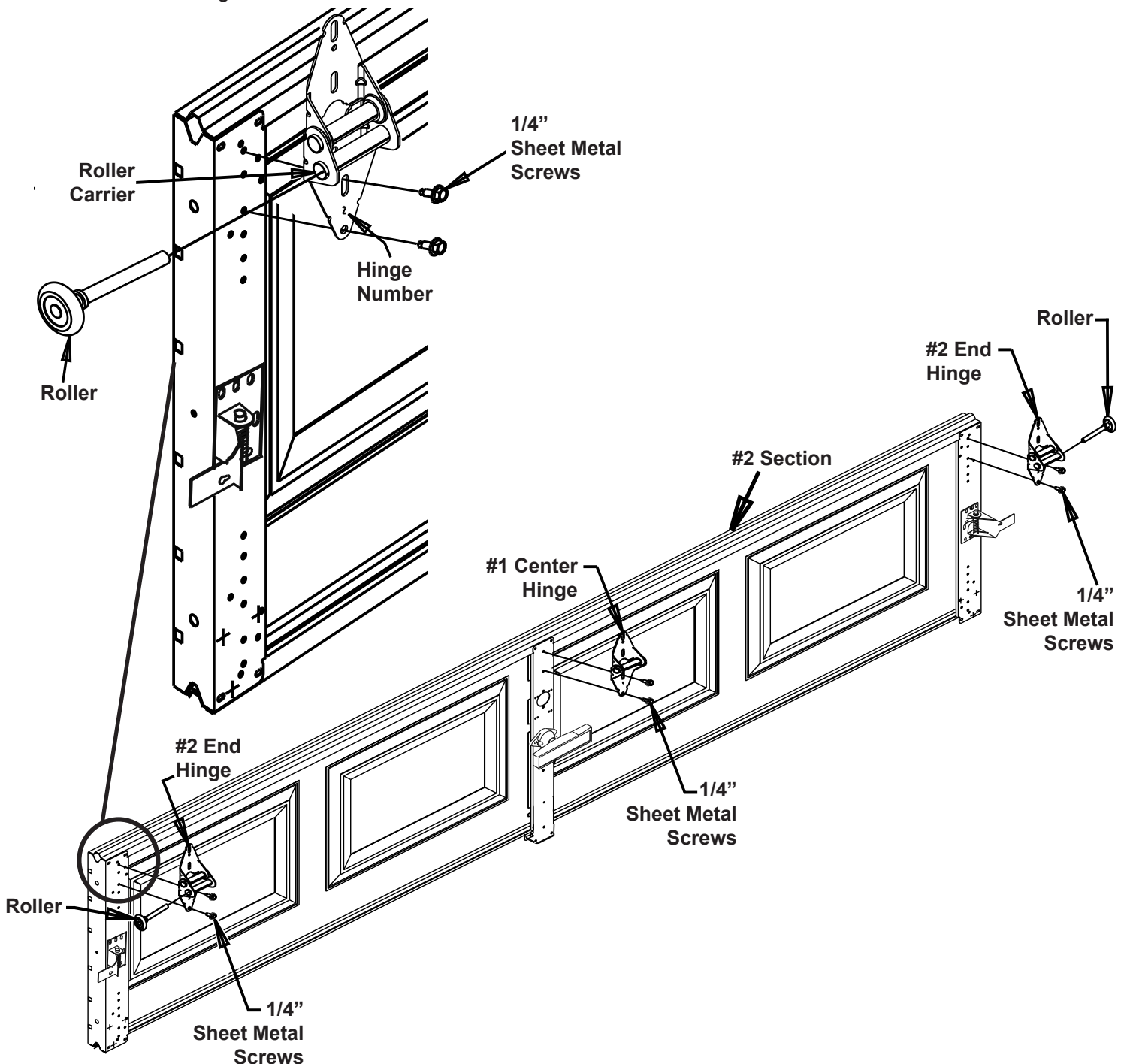


# Step 30: #2 Panel

You will need for this page:

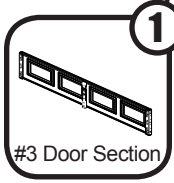


- 4** Fasten end hinges marked #2 to top of section on each end stile. Use (2) 1/4" sheet metal screws per hinge. Make sure that the two slots are at top of hinge. Insert a roller into each end hinge as shown. Attach #1 center hinge.



# Step 31: #3 Panel

You will need for this page:



#3 Door Section



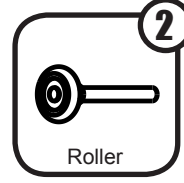
#3 End Hinge



#1 Center Hinge

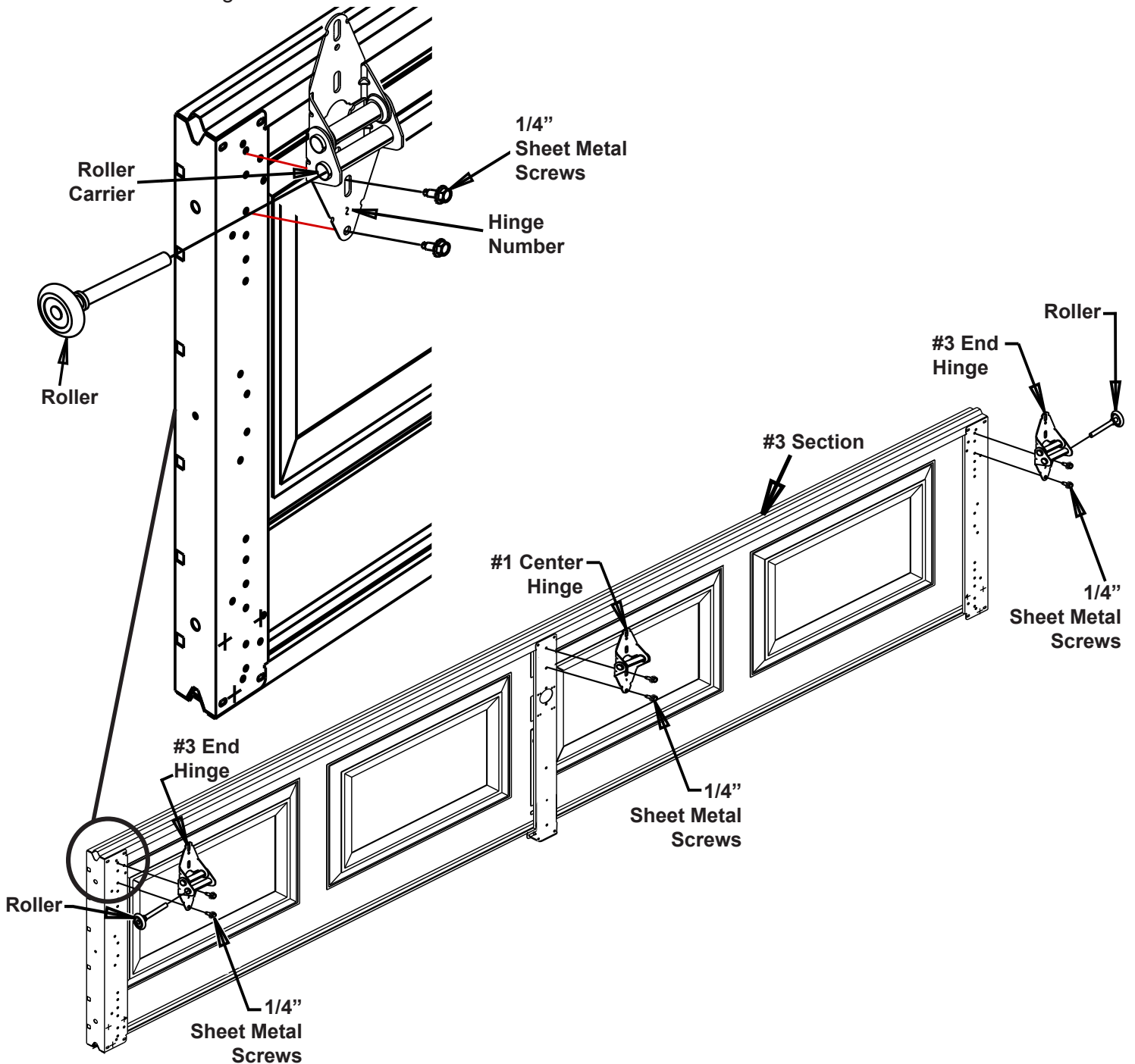


1/4" Sheet Metal Screw



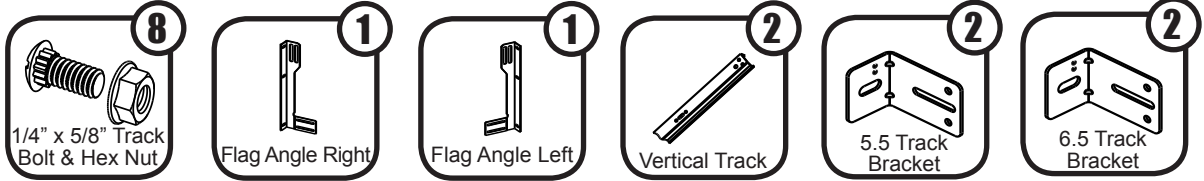
Roller

- 1** Fasten end hinges marked #3 to top of section on each end stile. Use (2) 1/4" sheet metal screws per hinge. Make sure that the two slots are at top of hinge. Insert a roller into each end hinge as shown. Attach #1 center hinge.



# Step 32: Track Installation

You will need for this page:

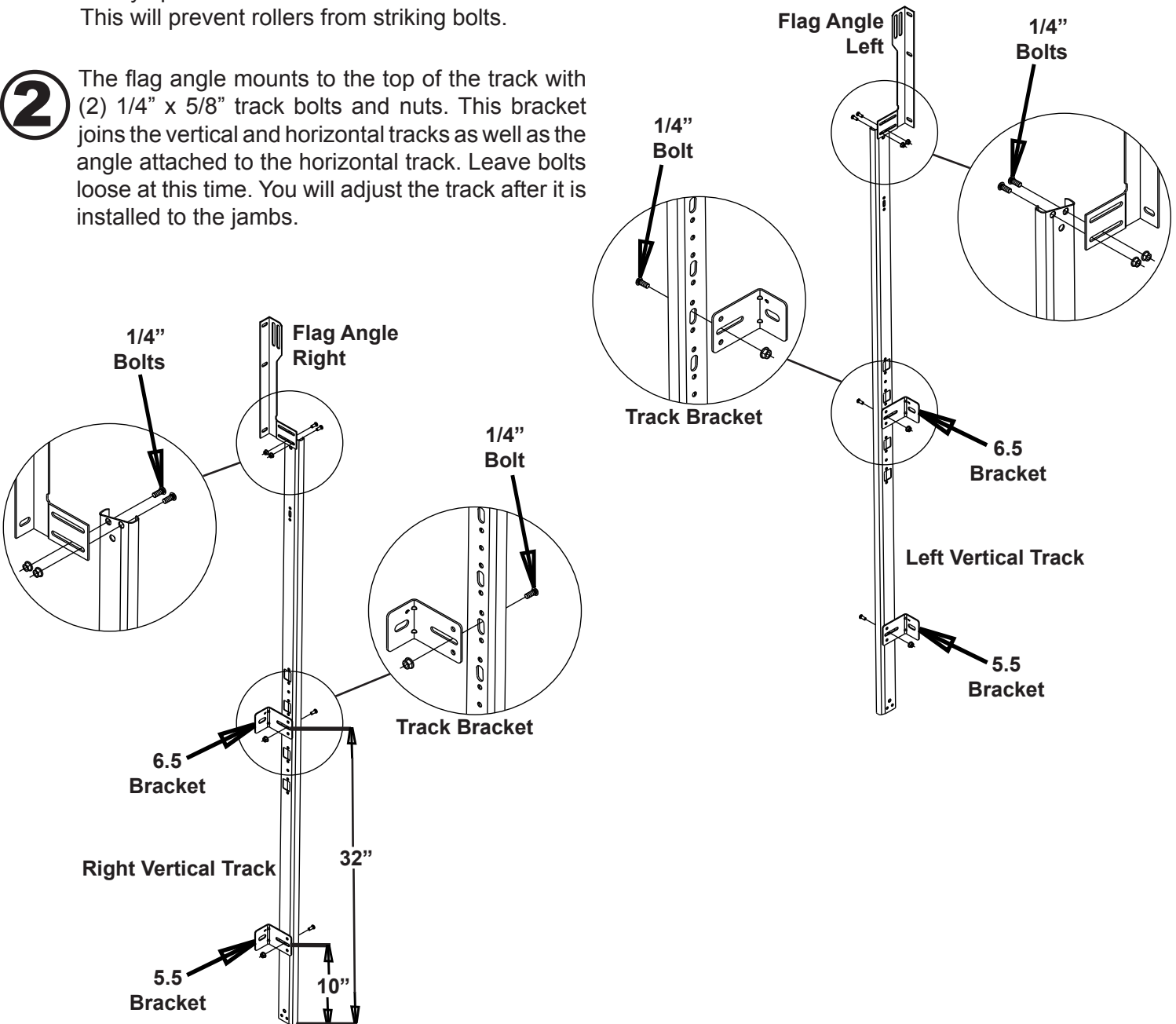


## Prepare the Vertical Tracks.

**1** The top of the vertical track must pitch back from the jamb for door to seal properly. This spacing is set by use of graduated track brackets. Attach but **do not fully tighten** brackets to track with 1/4" x 5/8" track bolts and nuts. The detail is shown with two different track brackets.

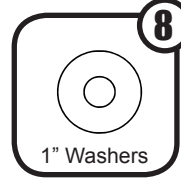
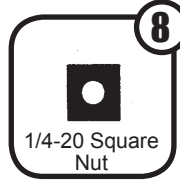
Always place heads of bolts to inside of the track. This will prevent rollers from striking bolts.

**2** The flag angle mounts to the top of the track with (2) 1/4" x 5/8" track bolts and nuts. This bracket joins the vertical and horizontal tracks as well as the angle attached to the horizontal track. Leave bolts loose at this time. You will adjust the track after it is installed to the jambs.



# Step 32: Track Installation

You will need for this page:



- 3** Fasten the vertical track and flag angle assembly to the door jamb using 1/4" Bolt and Hex Nut with 1" Washer. Follow the orientation as shown below. Do this for both the right and left vertical tracks.

