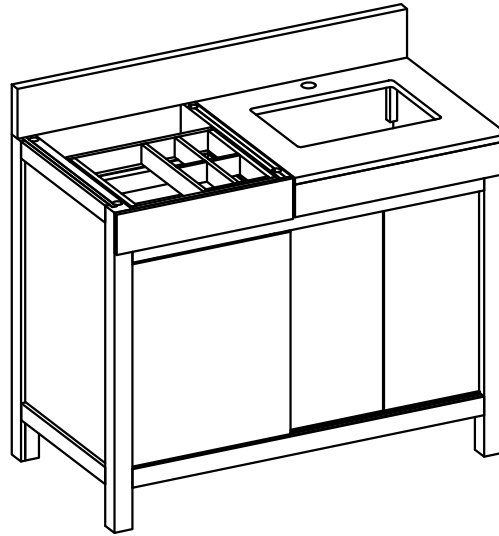




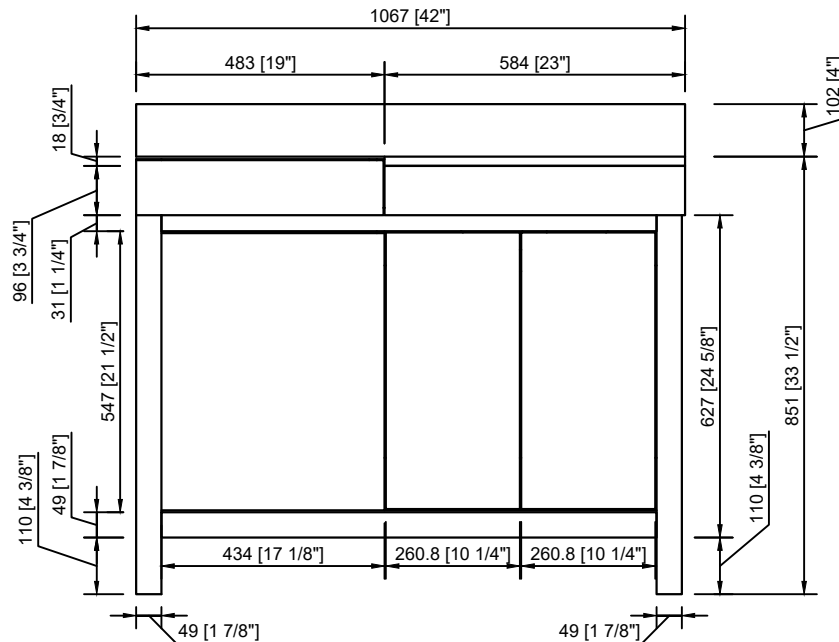
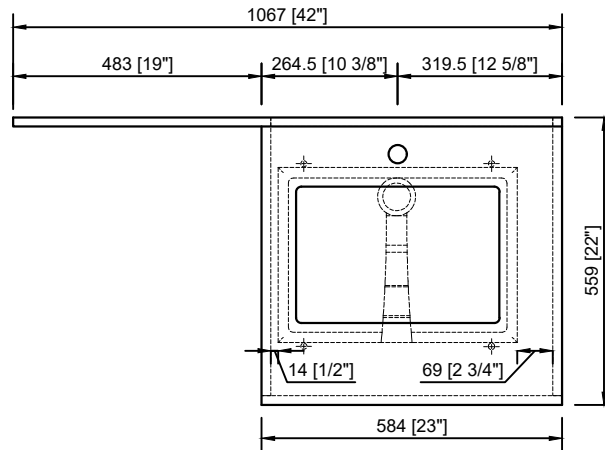
LEXORA

HOME DECOR & HOME FURNISHINGS

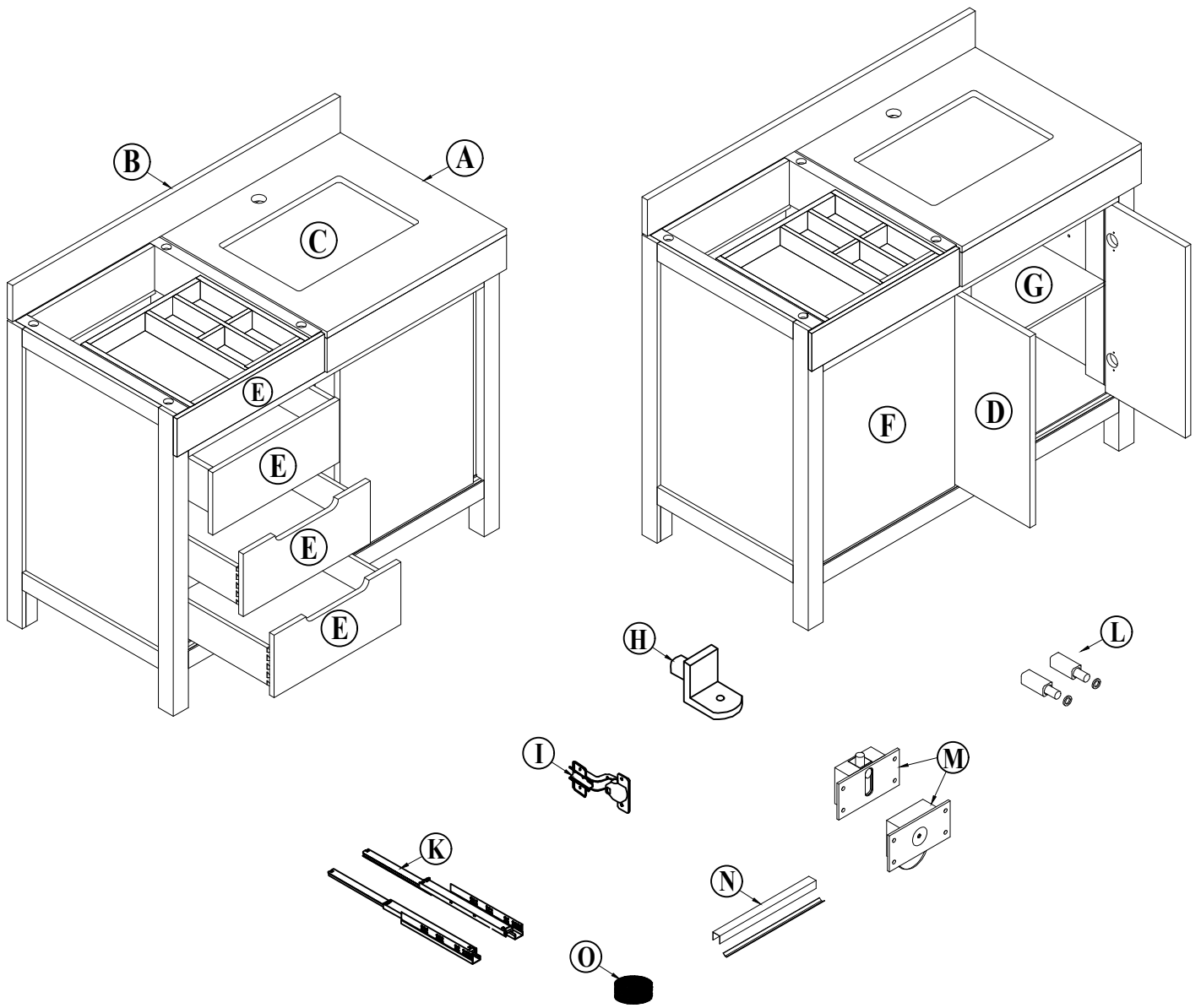
ZILARA-42"



DIMENSIONS



PART LIST



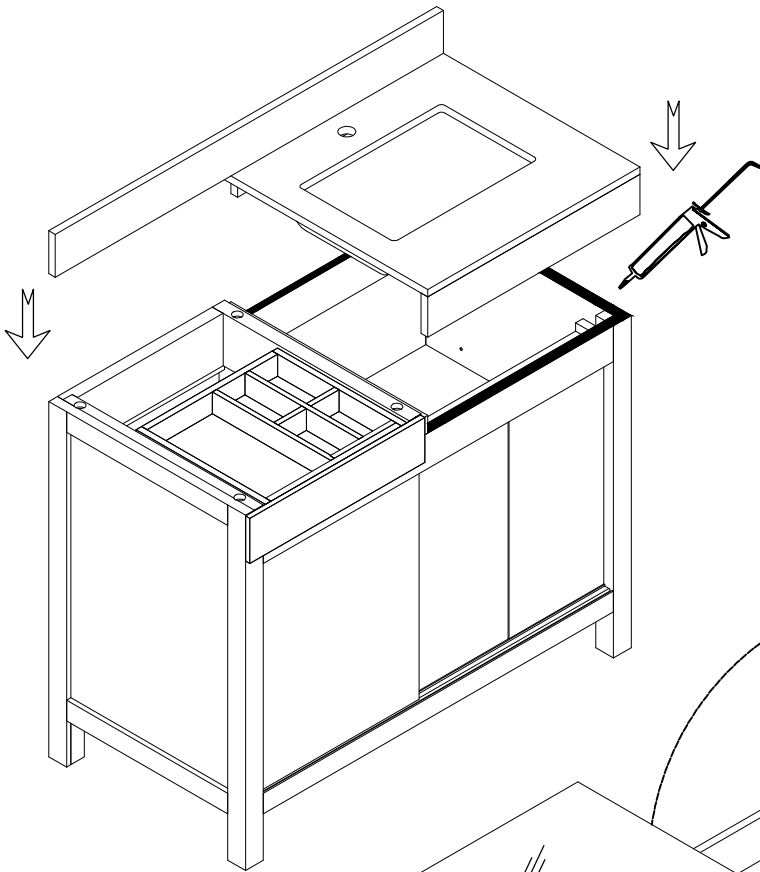
PART	DESCRIPTIONS	QTY
A	Marble Countertop	1 PC
B	Back Splash	1 PC
C	Washbasin	1 PC
D	Door	1 Set
E	Drawer	4 PCS
F	Sliding Door	1 PC
G	Adjustable Shelf	1 PC

PART	DESCRIPTIONS	QTY
H	Shelf Holder	4 PCS
I	Hinge	4 PCS
K	Drawer Glides	4 Set
L	Piston	2 Set
M	Door Glide/Insert	1 Set
N	Wheel Track	1 Set
O	Metal Insert	4 PCS

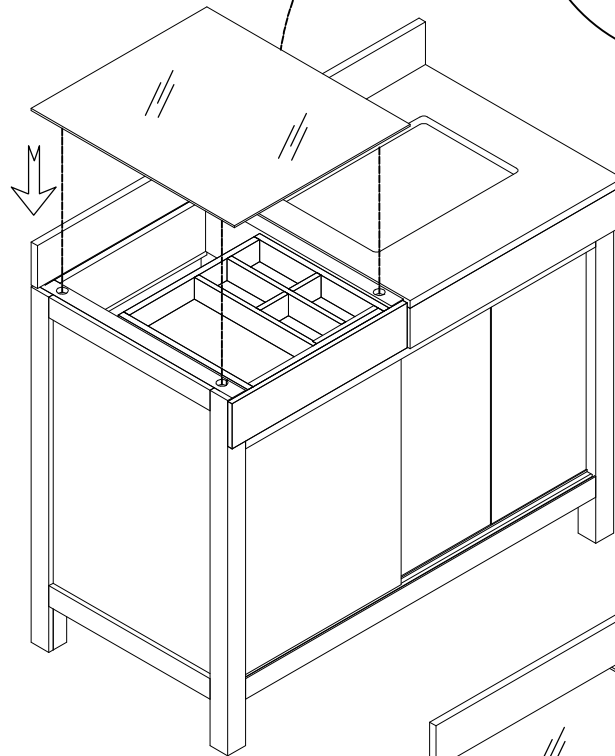
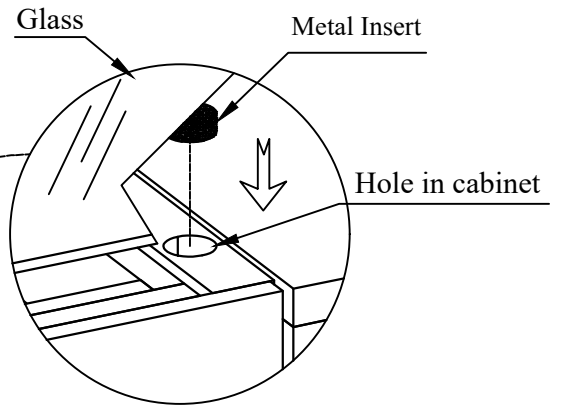
INSTALLATION



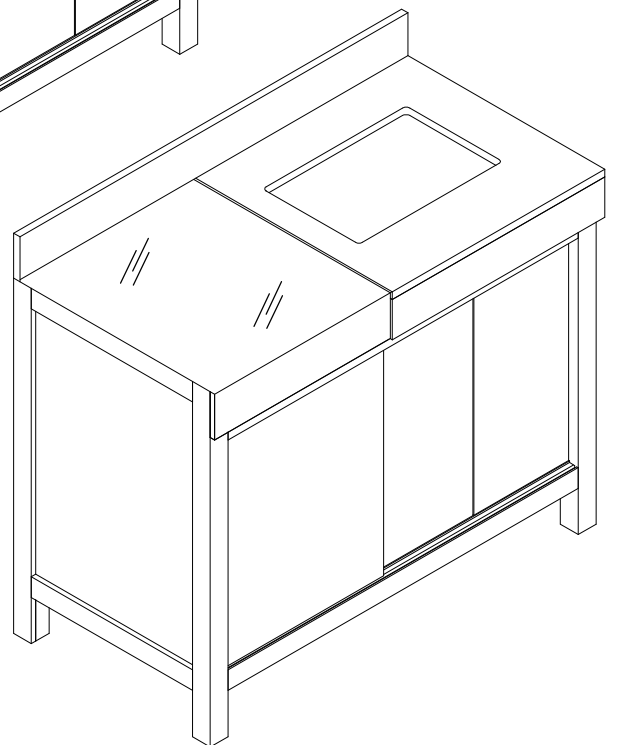
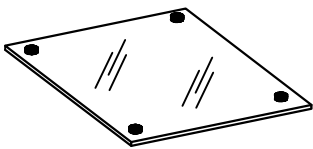
24!



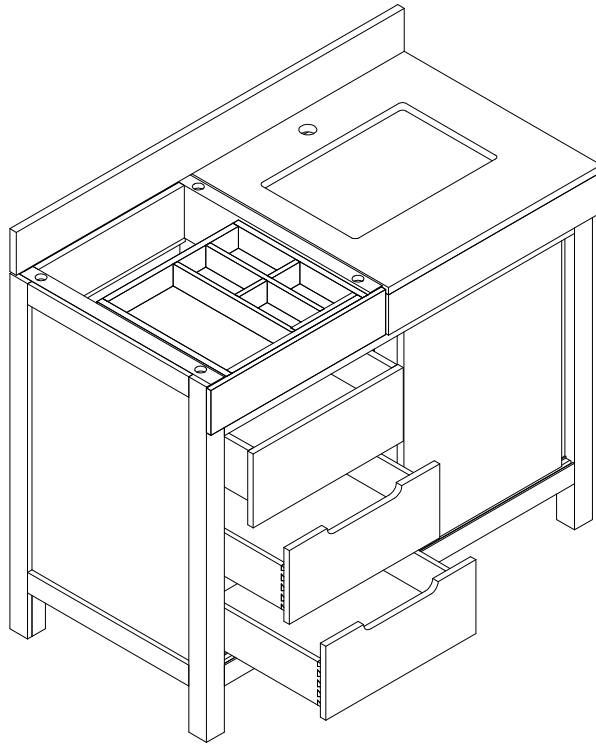
STEP 1



STEP 2

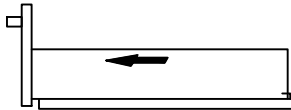


DRAWER

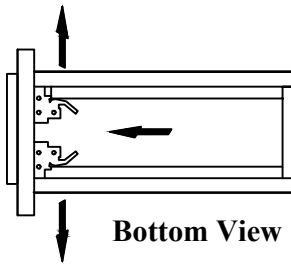


REMOVE

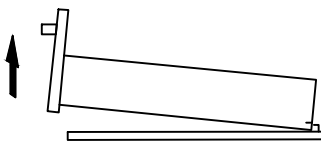
1



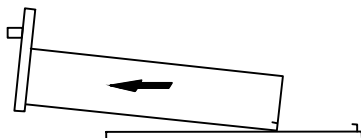
2



3

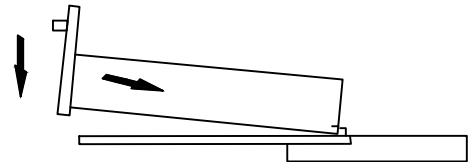


4

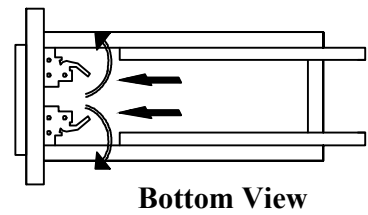


INSTALL

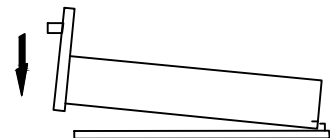
1



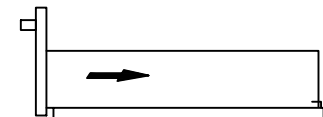
2



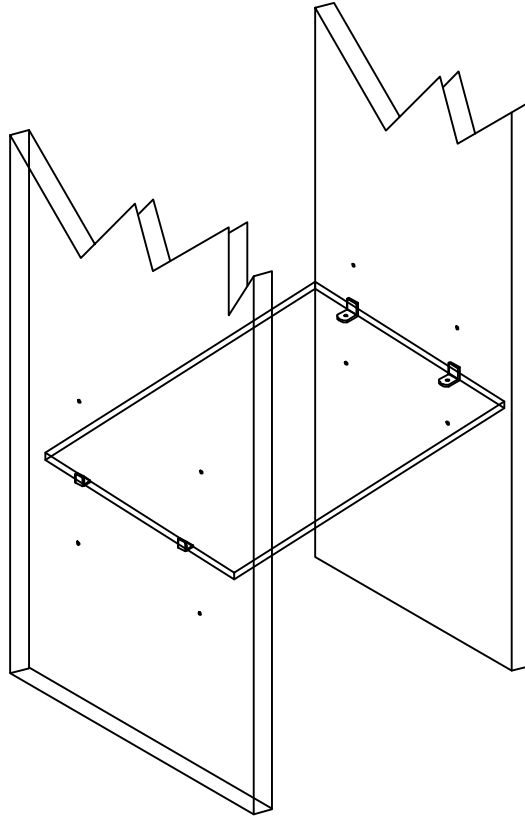
3



4

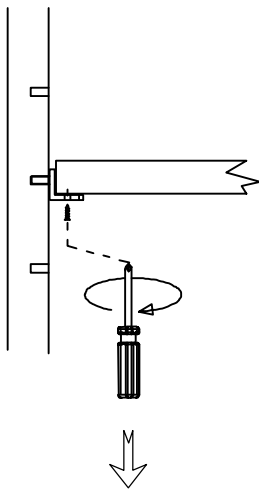


SHELF

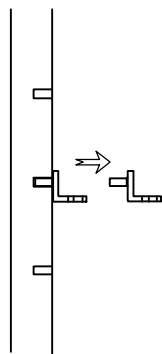


REMOVE

1

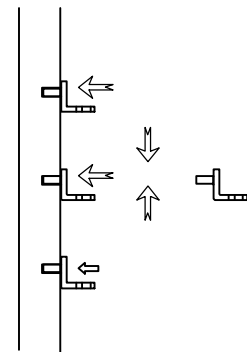


2

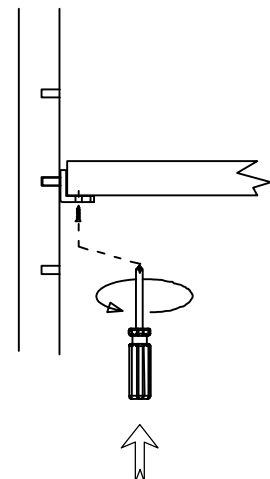


INSTALL

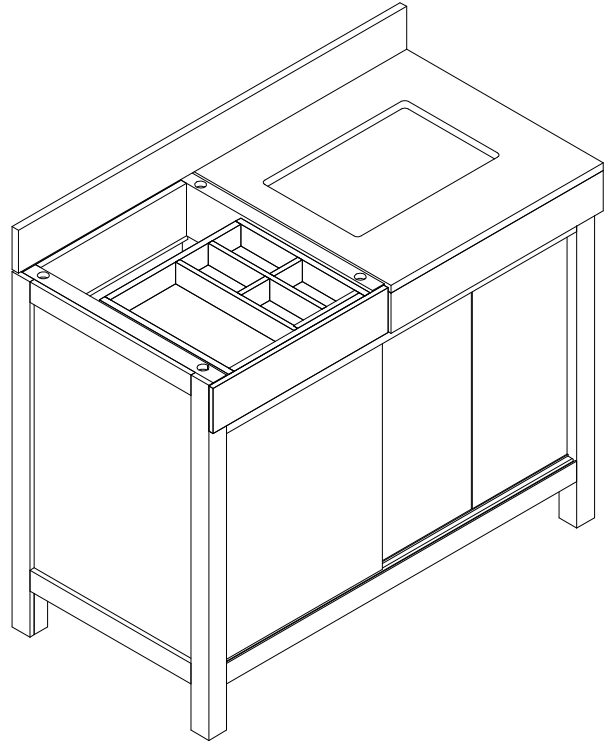
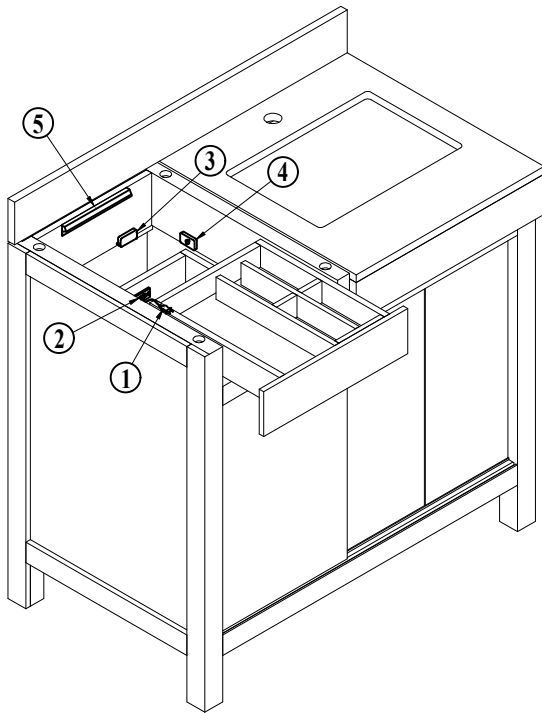
1



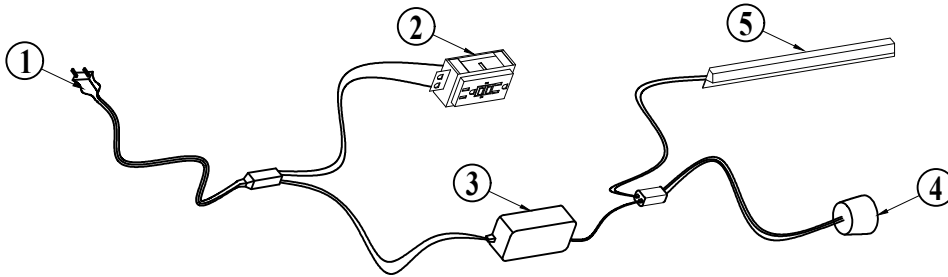
2


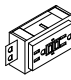
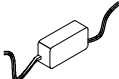




LED System



NOTE: There is an induction switch that activates the LED. Opening/closing drawer will turn the light on/off.



PART	DESCRIPTIONS		QTY
1		Power Plug	1
2		Outlet	1
3		Adapter	1
4		Sensor	1
5		LED Strip Light	1