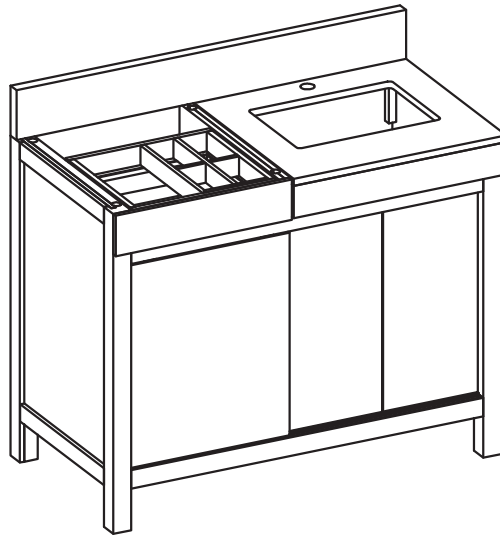




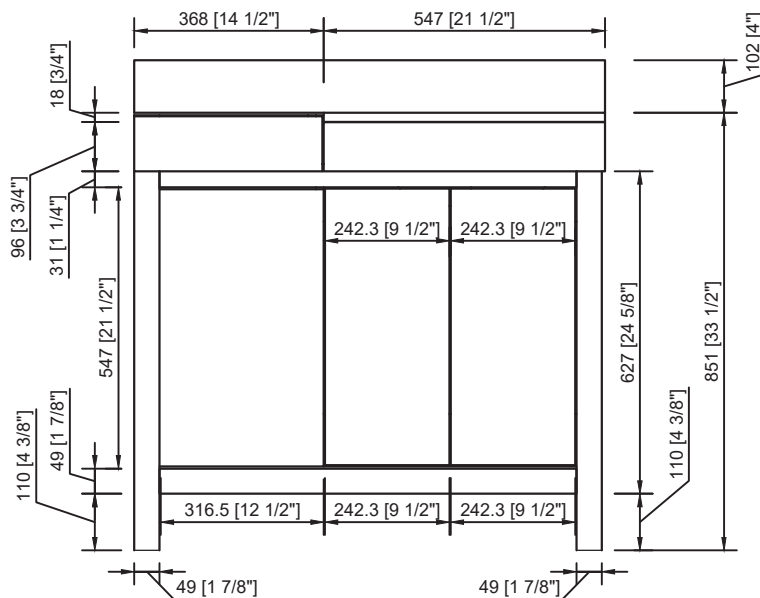
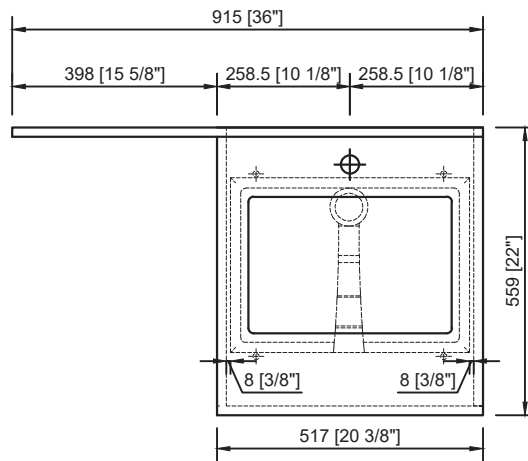
LEXORA

HOME DECOR & HOME FURNISHINGS

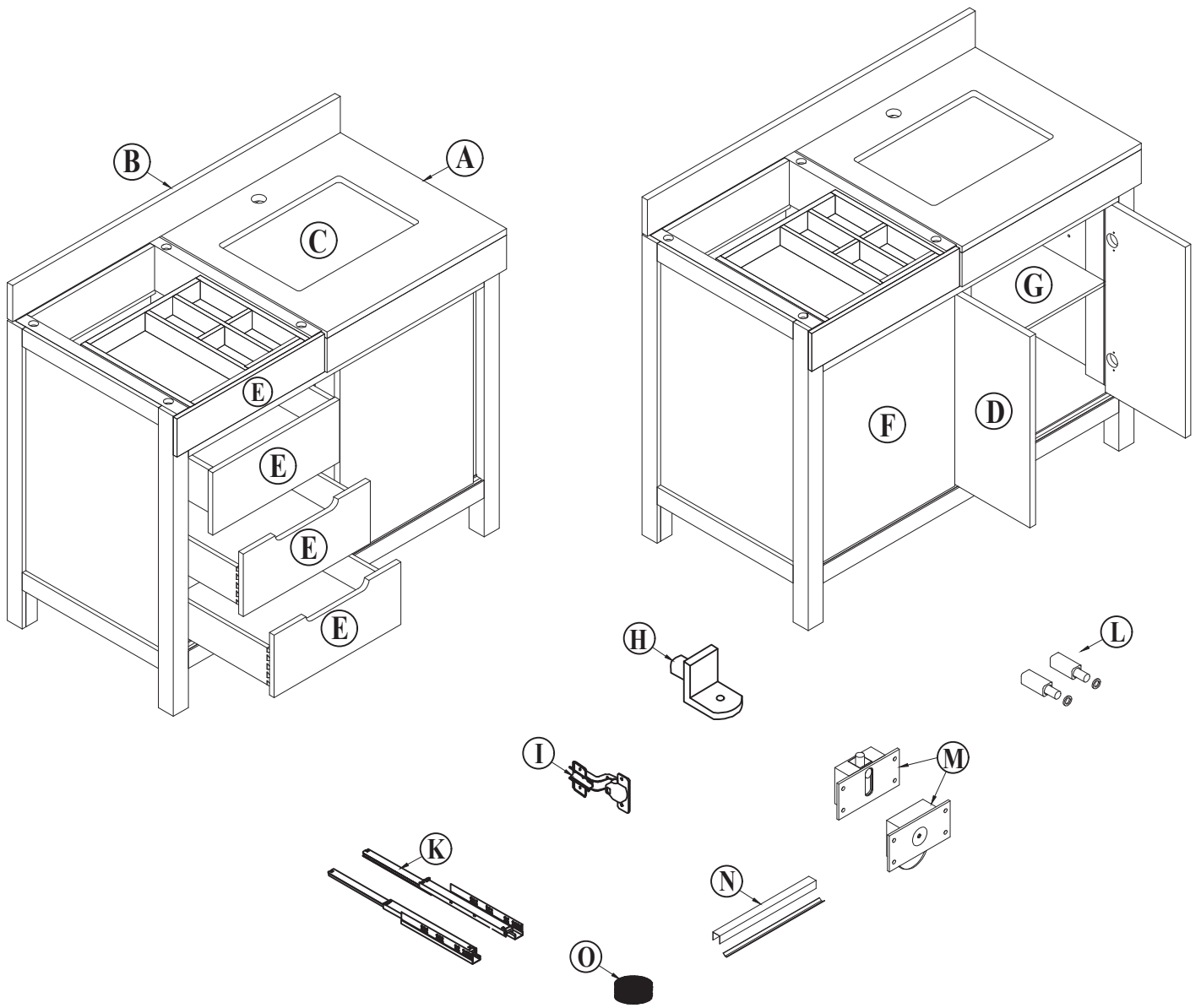
ZILARA-36"



DIMENSIONS



PART LIST



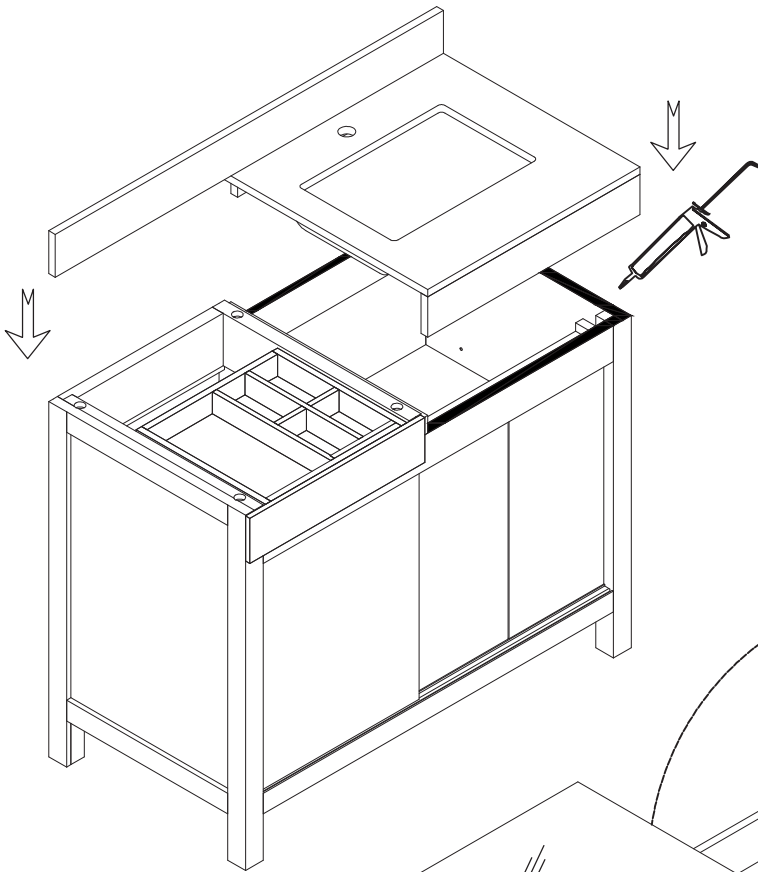
PART	DESCRIPTIONS	QTY
A	Marble Countertop	1 PC
B	Water Retention Strip	1 PC
C	Washbasin	1 PC
D	Door	1 Set
E	Drawer	4 PCS
F	Sliding Door	1 PC
G	Adjustable Shelf	1 PC

PART	DESCRIPTIONS	QTY
H	Shelf Holder	4 PCS
I	Hingle	4 PCS
K	Drawer Glides	4 Set
L	Rebound device	2 Set
M	Pulley	1 Set
N	Chute	1 Set
O	Metal part	4 PCS

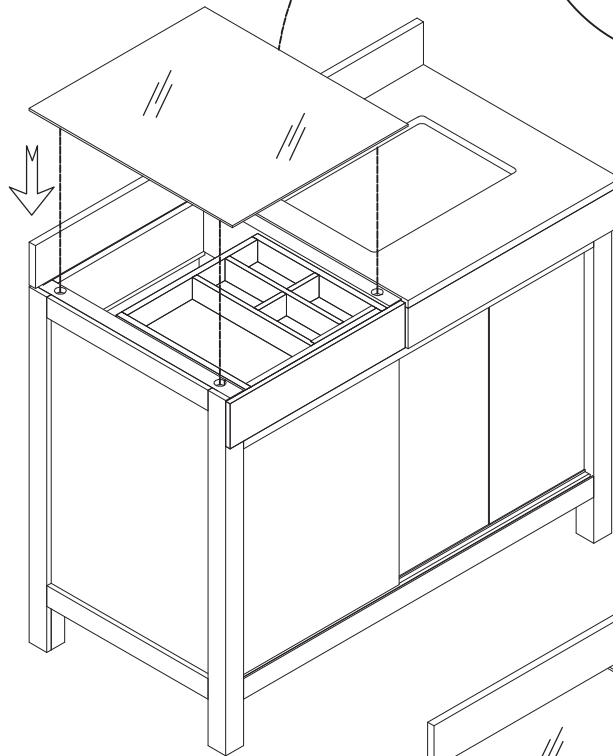
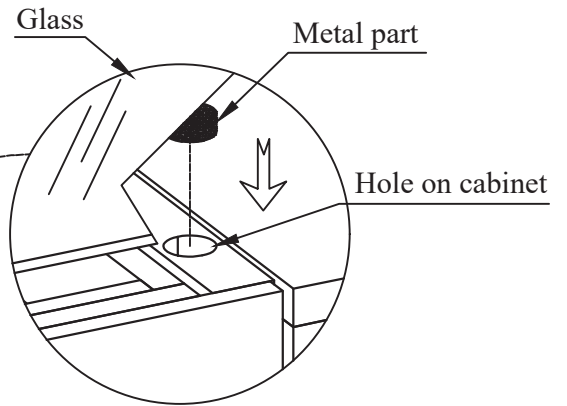
INSTALLATION



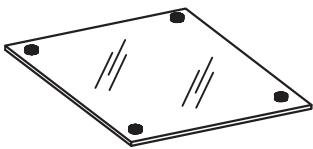
24!



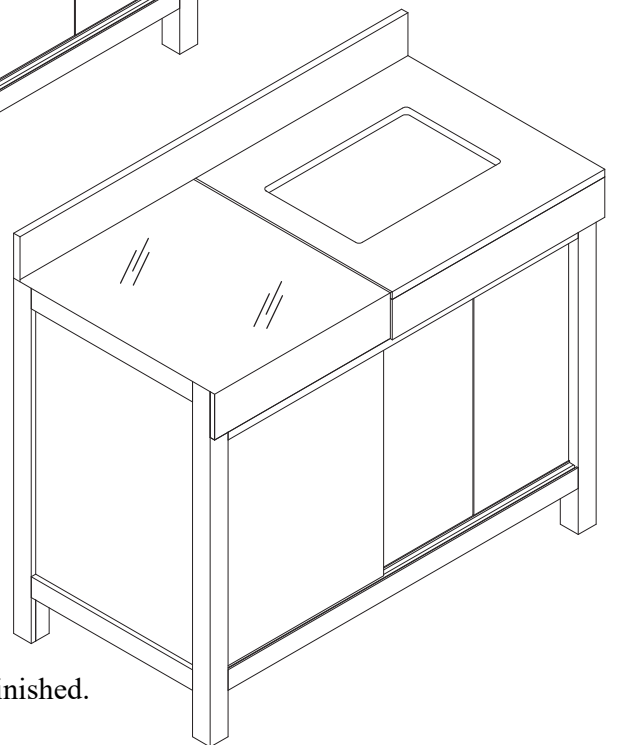
STEP 1



STEP 2

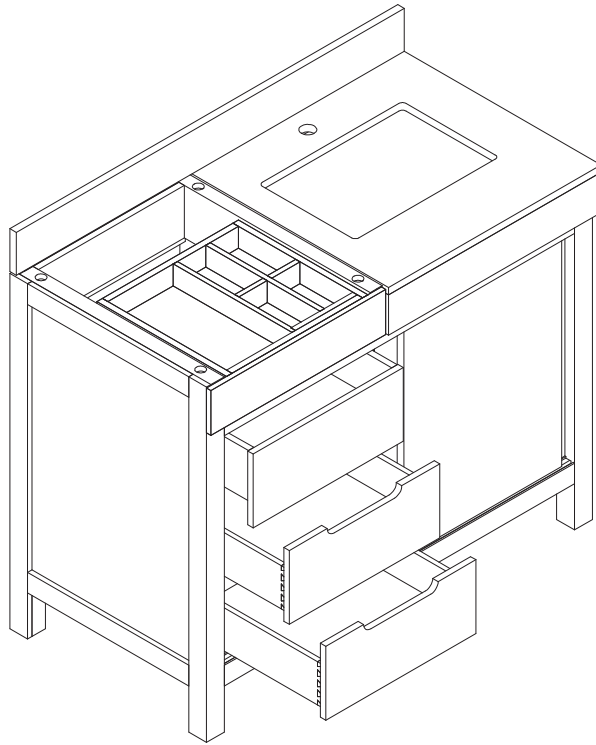


The reverse side of the glass,
it have four metal fixed parts.



Finished.

DRAWER

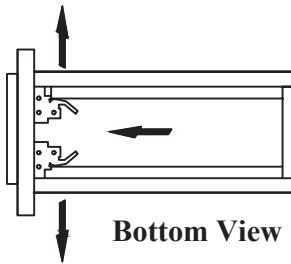


REMOVE

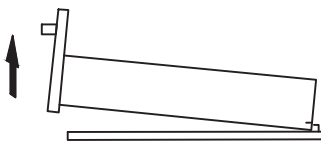
1



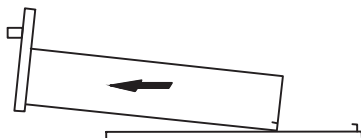
2



3

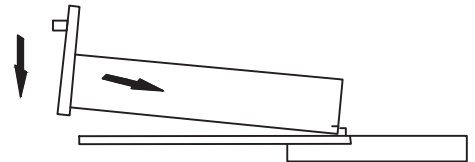


4

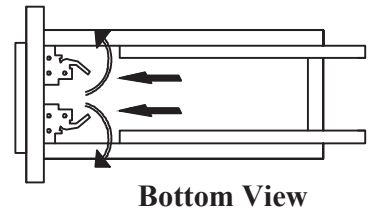


INSTALL

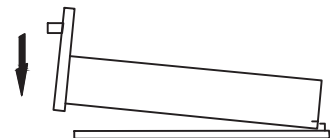
1



2



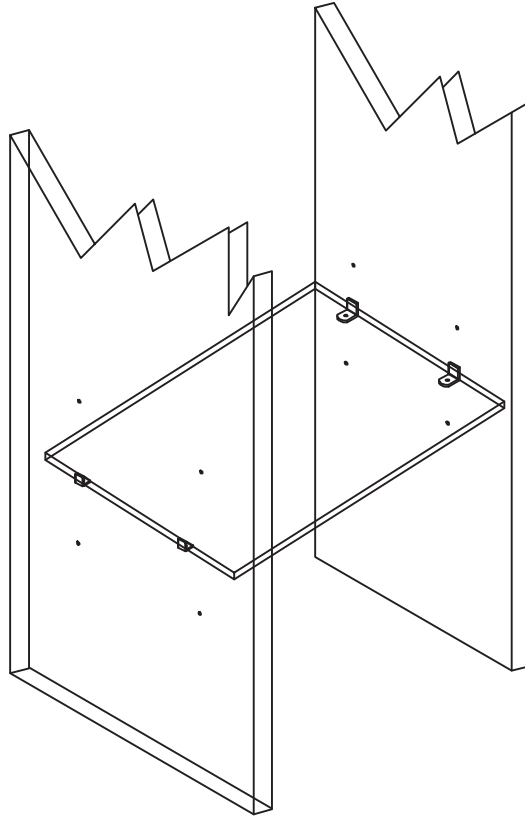
3



4

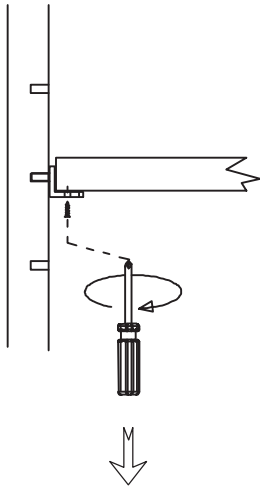


SHELF

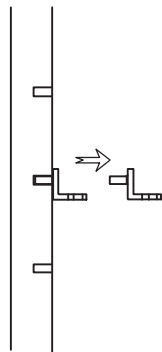


REMOVE

1

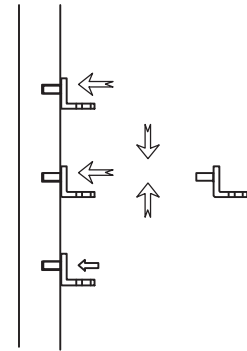


2

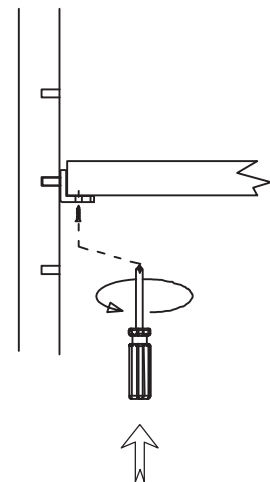


INSTALL

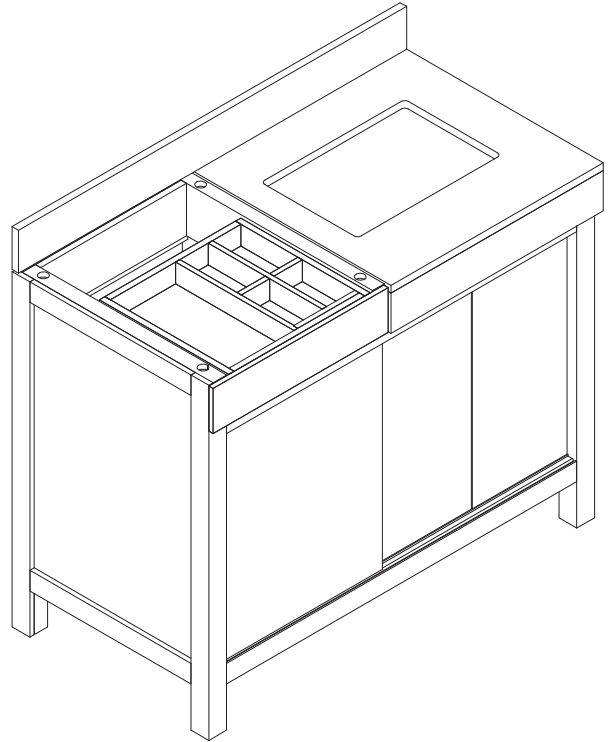
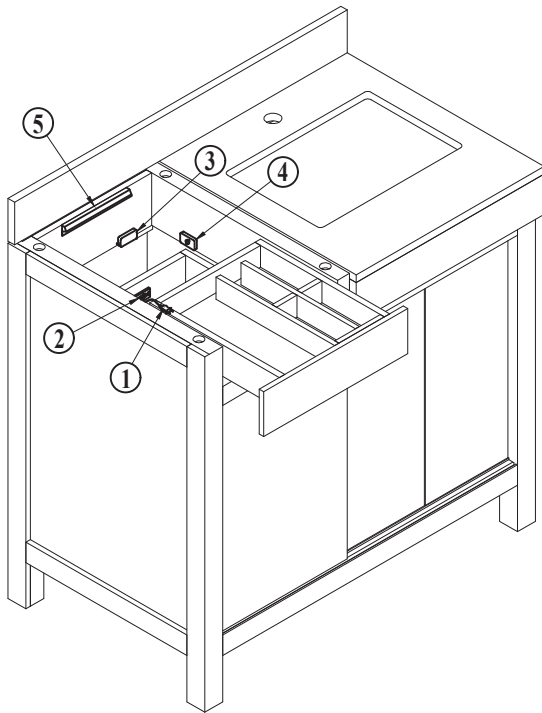
1



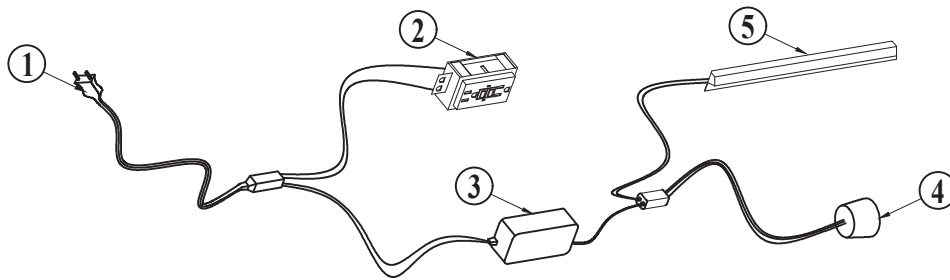
2



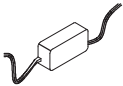

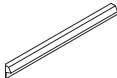


LED System



NOTE: This is an automatic induction switch.
Opening or closing drawer to make the LED light open or close.



PART	DESCRIPTIONS		QTY
1		Power Plug	1
2		Outlet	1
3		Adapter	1
4		Sensor	1
5		LED Strip Light	1