

SAVANNAH PAVILION

Installation and Operating Instructions – YM11766MM



IMPORTANT, RETAIN FOR FUTURE REFERENCE: READ CAREFULLY

HEIGHT:
10'1" or 3.07 m

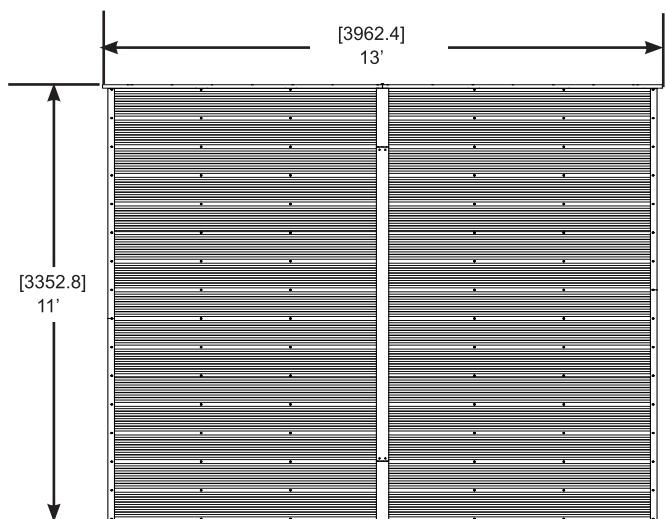
Revised 10-12-2017



Member's Mark™

by Borrowed Spaces®

Borrowed Spaces – North America
Toll Free Consumer Relations: 1-833-455-9002
www.borrowedspaces.com
support@borrowedspaces.com



Height: 10' 1" (3.07 m)

Important Safety Notice!

Borrowed Spaces components are intended for privacy, decorative and ornamental use only.

Product is NOT INTENDED for the following:

- A safety barrier to prevent unsupervised access to pools, hot tubs, spas or ponds.
- As load bearing support for a building, structure, heavy objects or swings.
- Used in structures that trap wind, rain or snow that would create extra load on the product.

Accumulated snow must be removed from roof.

DO NOT climb or walk on roof for any reason.

Permanent structures may require a building permit. As the purchaser and or installer of this product you are advised to consult local planning, zoning and building inspection departments for guidance on applicable building codes and/or zoning requirements.

Wood is NOT flame retardant and will burn. Grills, fire pits and chimineas are a fire hazard if placed too close to a Borrowed Spaces structure. Consult user's manual of the grill, fire pit or chiminea for safe distances from combustible materials.

Wear gloves to avoid injury from possible sharp edges of individual elements before assembly.

During installation, follow all safety warnings provided with your tools and use OSHA approved safety glasses. Some structures may require two or more people to install safely.

Check for underground utilities before digging or driving stakes into the ground!

It is important during assembly to closely follow the instructions, complete the assembly on a solid level surface and that you follow the instruction to square up, level and anchor the structure, this will reduce the gap at wood connections during assembly.

General Information

General Information: Wood components are manufactured with Cedar (C. Lanceolata) which is protected with factory applied water-based stain. Knots, small checks (cracks) and weathering are naturally occurring and do not affect the strength of the product. Annual application of a water-based water repellent sealant or stain is important and will help reduce weathering and checks.

www.borrowedspaces.com

Questions?

Call toll free or write us at:
1 (833) 455-9002
support@borrowedspaces.com

Patents Pending

Limited Warranty

Borrowed Spaces warrants that this product is free from defect in materials and workmanship for a period of one year from the original date of purchase. In addition, all lumber is warranted for 5 years against rot and decay. This warranty applies to the original owner and registrant and is non-transferable.

Regular maintenance is required to assure the integrity of your product and is a requirement of the warranty. This warranty does not cover any inspection costs.

This Limited Warranty does not cover:

- Labour for replacement of any defective item(s);
- Incidental or consequential damages;
- Cosmetic defects which do not affect performance or integrity;
- Vandalism; improper use or installation; acts of nature, including but not limited to wind, storms, hail, floods, excessive water exposure;
- Minor twisting, warping, checking or any other natural occurring properties of wood that do not affect performance or integrity.

Borrowed Spaces products have been designed for safety and quality. Any modifications made to the original product could damage the structural integrity of the product leading to failure and possible injury. Borrowed Spaces cannot assume any responsibility for modified products. Furthermore, modification voids any and all warranties.

This product is warranted for RESIDENTIAL USE ONLY. Borrowed Spaces disclaims all other representations and warranties of any kind, express or implied.

This Warranty gives you specific legal rights. You may have other rights as well which vary from state to state or province to province. This warranty excludes all consequential damages, however, some states/provinces do not allow the limitation or exclusion of consequential damages, and therefore this limitation may not apply to you.

Instructions for Proper Maintenance

Your Borrowed Spaces structure is designed and constructed of quality materials. As with all outdoor products it will weather and wear. To maximize the enjoyment, safety and life of your structure it is important that you, the owner, properly maintain it.

HARDWARE:

- Check metal parts for rust. If found, sand and repaint using a non-lead paint complying with 16 CFR 1303.
- Inspect and tighten all hardware after completion of assembly; after first month of use; and then annually. Do not over-tighten as to cause crushing and splintering of wood.
- Check for sharp edges or protruding screw threads, add washers if required.

WOOD PARTS:

- Applying a water repellent or stain (water-based) on a yearly basis is important maintenance to maintain maximum life and performance of the product.
- Check all wood members for deterioration, structural damage and splintering. Sand down splinters and replace deteriorated wood members. As with all wood, some checking and small cracks in grain is normal
- Some gapping may occur at some wood connections.

Assembly Guides

Tools Required:

- | | | |
|------------------------------|------------------|----------------------|
| • Tape Measure | • 8' Step Ladder | • 6' Step Ladder x 2 |
| • Carpenters Level | • Safety Glasses | • Square |
| • Standard or Cordless Drill | • Adult Helper | • Ratchet |
| • 7/16", 1/2" & 9/16" Wrench | • Safety Gloves | |
| • 7/16", 1/2" & 9/16" Socket | • Hard Hat | |

Symbols:

Throughout these instructions symbols are provided in the top, right-hand corner of the page.



- Use Help, where this is shown, 2, 3 or 4 people are required to safely complete this step. To avoid injury or damage to the assembly make sure to get some help.



- Use a measuring tape to assure proper location



- Pre-drill a pilot hole before fastening screw or lag to prevent splitting of wood.



- Check that assembly is square before tightening bolts

If you dispose of your Borrowed Spaces structure: Please disassemble and dispose of your unit so that it does not create any unreasonable hazards at the time it is discarded. Be sure to follow your local waste ordinances.

Assembly Tips

Following are some helpful tips to make the assembly process smooth and efficient.

PRE-ASSEMBLIES:

(i.e. Post and Beam Assemblies, Roof Rafter Assembly, etc)

- Work on a raised, solid and flat surface such as, a table or saw horse.
- Keep all connections flush where shown in the instructions.
- When assembling the beams keep parts flat, straight and snug when connecting.

METAL PARTS:

- Roofing material may have sharp edges, wear safety gloves.
- Remove all plastic covering, on both sides of the metal panels, directly before installing each piece.
- Place roofing material on a non-abrasive surface before and after assembly as it can bend, dent and scratch easily.
- The roofing screws can easily crush the roof panels and roof edges when using a power drill. We recommend hand tightening the roofing screws so they sit snug and tight to the roofing material.

Permanent Installation Examples

Note: It is critically important you start with square, solid and level footings, concrete pad or deck to attach your Pavilion.

We supply Post Mounts with this structure which gives you the flexibility to permanently install your structure to a pre-existing or new wood or concrete surface.

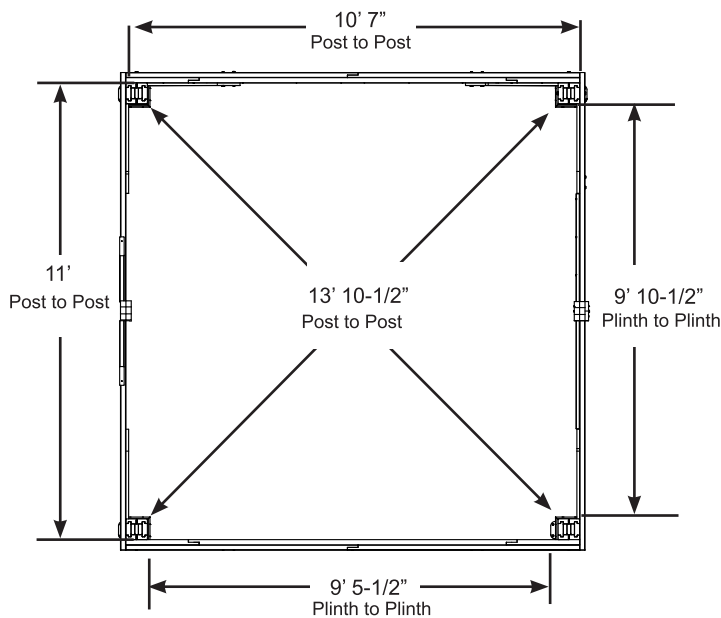
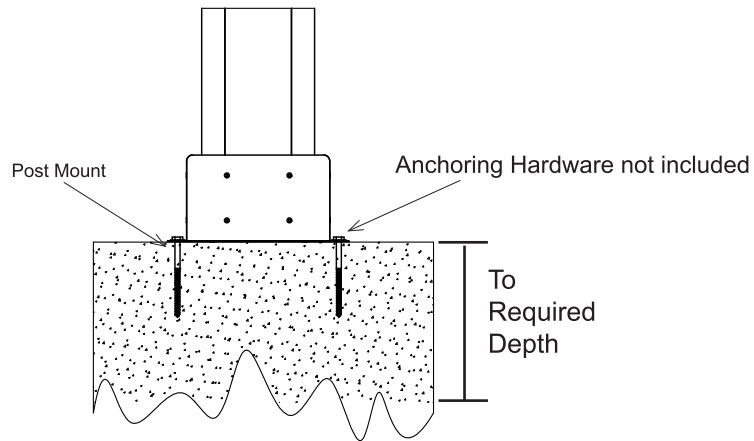
- The hardware to attach the Post Mount to the structure is included.
- The hardware to mount the structure permanently will need to be purchased separately at your local hardware store.

If you are mounting to concrete footers see below for the correct locations and placement. Please double check for possibility of any underground utilities such as gas, telephone, cable or sprinkler lines.

Following are some examples of how to mount the structure to wood or concrete surfaces.

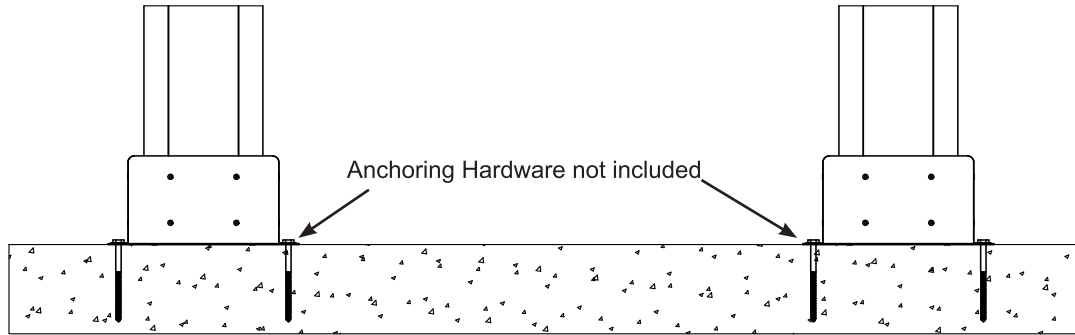
Refer to your local building and city codes, ordinances, neighbourhood covenants, or height restrictions regarding this type of structure for guidance on acceptable installation requirements.

Concrete Footer

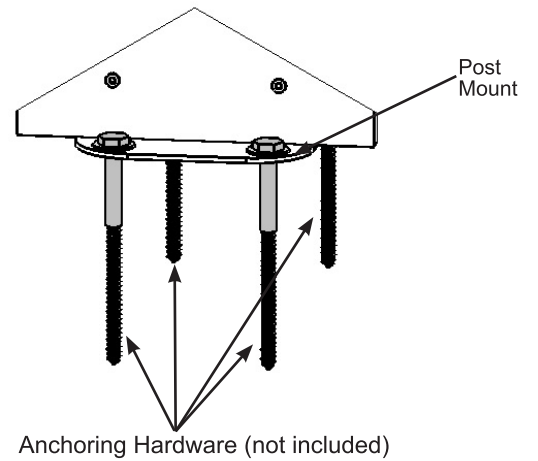
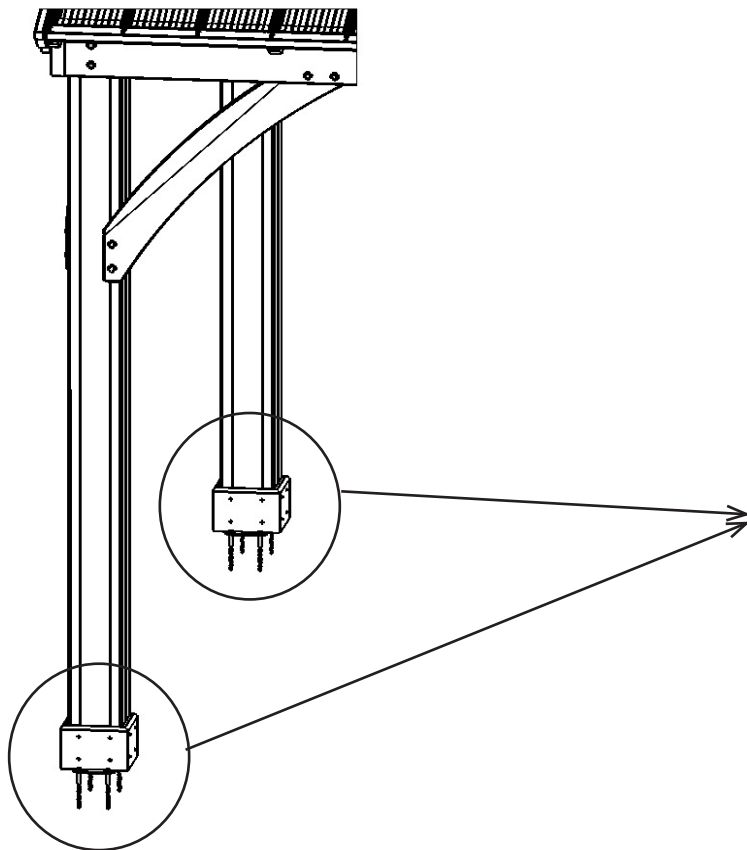
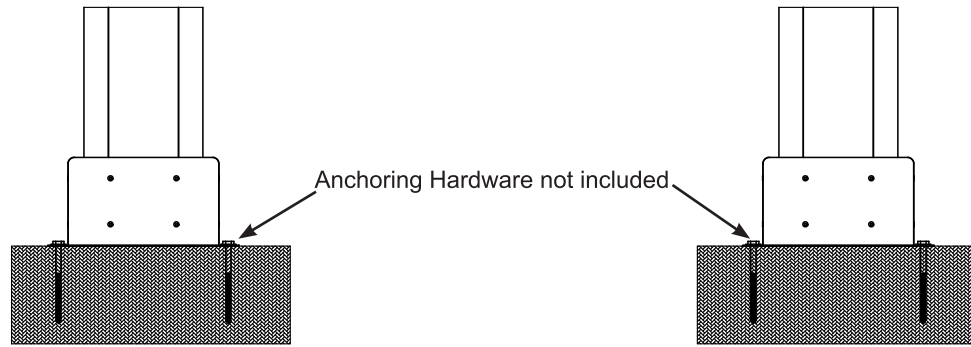


Permanent Installation Examples cont.

Concrete Patio (min. 11'7" x 12') with 6" clearance on all sides



Wood Deck (min. 11' 7" x 12') with 6" clearance on all sides

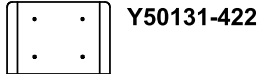


Post Mounts have a 1/2" diameter hole for anchoring hardware.

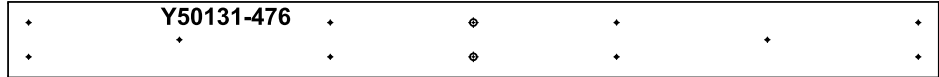
Part Identification (Dimensions are approximate and are shown to assist in the identification of parts for assembly. Actual dimensions may be smaller or larger.)

16pc. (422) Plinth

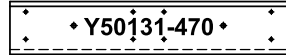
19.1 x 133.4 x 190.5mm (3/4 x 5-1/4 x 7-1/2")



2pc. (476) Gusset Support 25.4 x 139.7 x 1724mm (1 x 5 1/2 x 67-7/8")



4pc. (470) Rafter Brace 25.4 x 97.6 x 513.2mm (1 x 3-27/32 x 20-13/64)



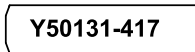
2pc. (469) Rafter Top Short 25.4 x 88.9 x 1378.3mm (1 x 3 1/2 x 54-17/64mm)



4pc. (471) Gable End 25.4 x 139.7 x 2108.3mm (1 x 5 1/2 x 83")

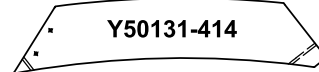
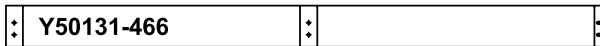


5pc. (417) Tie Brace 31.8 x 88.9 x 352.6mm (1-1/4 x 3-1/2 x 13-7/8")



4pc. (414) Gable Gusset 31.8 x 133.4 x 580.1mm (1-1/4 x 5-1/4 x 22-27/32")

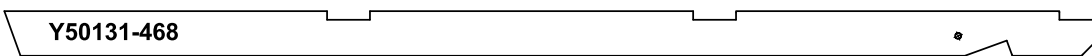
6pc. (466) Short Strap 31.8 x 76.2 x 1106.4mm (1 1/4 x 3 x 43-9/16")



2pc. (467) Rafter Top 25.4 x 88.9 x 1923.6mm (1 x 3 1/2 x 75-47/64")



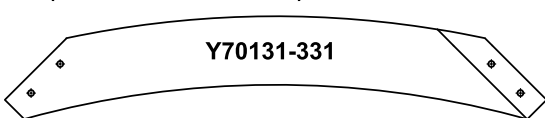
14pc. (468) Rafter 31.8 x 82.6 x 2033mm (1 1/4 x 3 1/4 x 80-3/64")



5pc. (416) Tie 31.8 x 88.9 x 2333.6mm (1-1/4 x 3-1/2 x 91-7/8")



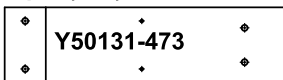
4pc. (331) Gusset Left 38.1 x 190.5 x 1003.3mm (1-1/2 x 7-1/2 x 39-1/2")



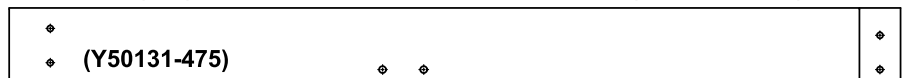
4pc. (330) Gusset Right 38.1 x 190.5 x 1003.3mm (1-1/2 x 7-1/2 x 39-1/2")



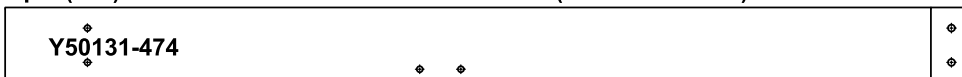
4pc. (473) Inside End Beam 38.1 x 139.7 x 520.7mm (1 1/2 x 5 1/2 x 20 1/2")



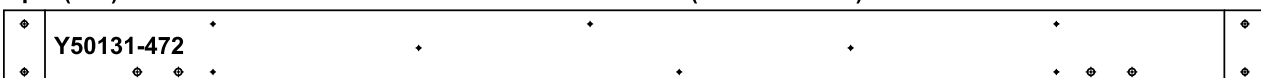
4pc. (475) Outside Beam 38.1 x 139.7 x 1651mm (1 1/2 x 5 1/2 x 65")



4pc. (474) Gable Beam 38.1 x 139.7 x 1790.7mm (1 1/2 x 5 1/2 x 70 1/2")



2pc. (472) Inside Centre Beam 92" 38.1 x 139.7 x 2336.8mm (1 1/2 x 5 1/2 x 92")



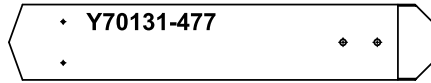
Hardware Identification

Dimensions are approximate and are shown to assist in the identification of parts for assembly. Actual dimensions may be smaller or larger.

2pc. (480) Gable Upright Back 76.2 x 139.7 x 813.3mm
(3 x 5½ x 32-1/64")



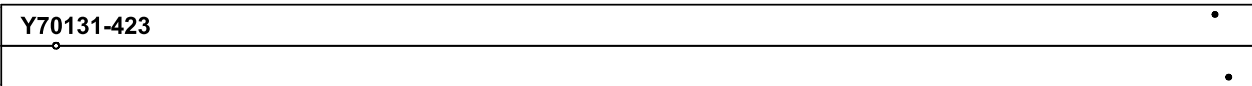
2pc. (477) Gable Upright Front 88.9 x 139.7 x 796.5mm
(3½ x 5½ x 31-23/64")



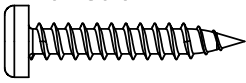
6pc. (465) Long Strap 31.8 x 76.2 x 2195.5mm (1¼ x 3 x 86-7/16")



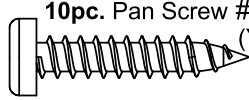
4pc. (423) 6 x 6 Post 152.4 x 152.4 x 2336.8mm (6 x 6 x 92")



116pc. #10 x 1-1/4" (Y06491-711)
Pan Screw



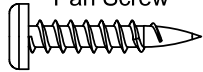
10pc. Pan Screw #12 x 1-1/4"
(Y06491-611)



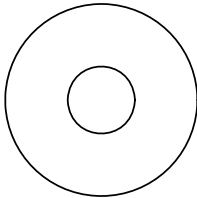
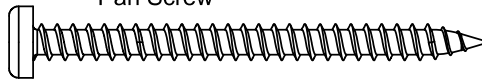
4pc. #8x3/4" - (Y06433-503)
Sheet Metal Screw



70pc. #8 x 1" (Y06491-510)
Pan Screw

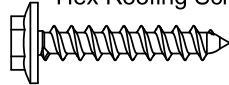


10pc. #10 x 2-1/2" - (Y06491-722)
Pan Screw



16pc. 3/8 x 1¼" (Y05118-811)
Large Washer

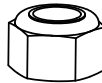
152pc. #8x 1" (Y06733-510)
Hex Roofing Screw



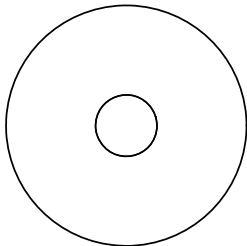
1pc. #2 x 2" (Y00400-005)
Robertson Driver



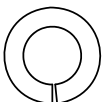
18pc. 1/4" (Y08318-203)
Lock Nut



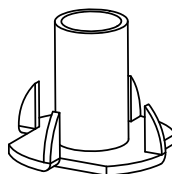
8pc. 3/8" (Y08318-803)
Lock Nut



100pc. 1/4 - 5/16 x 1¼" (Y05118-311)
Large Washer



40pc. 5/16" (Y05318-300)
Lock Washer



40pc. 5/16" (Y08518-300)
T-Nut



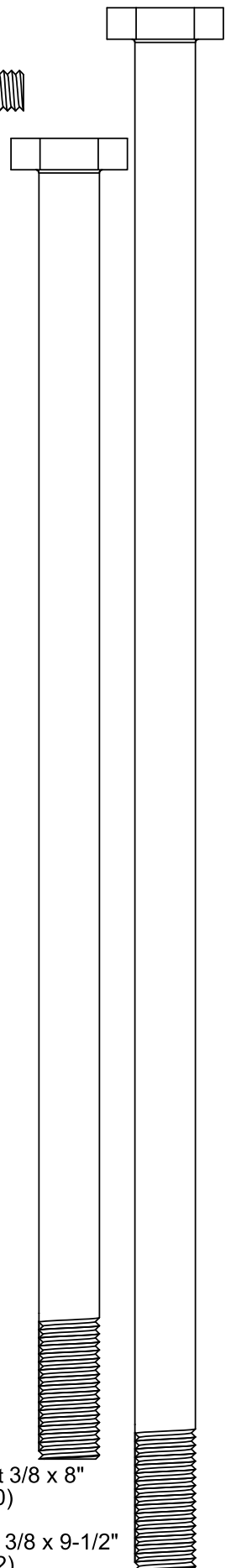
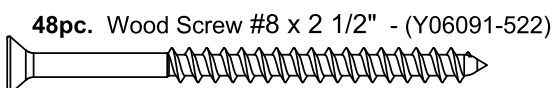
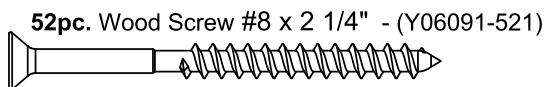
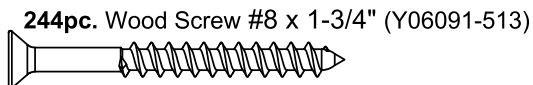
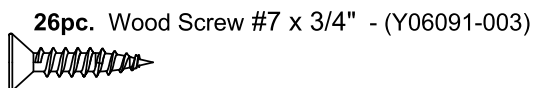
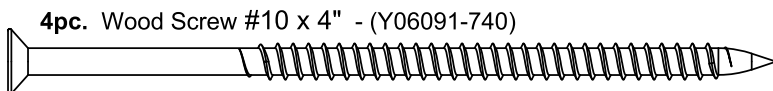
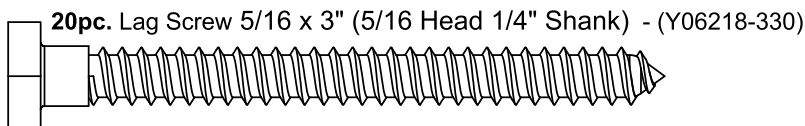
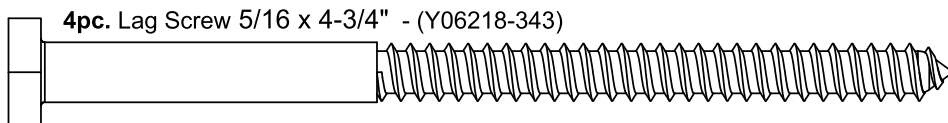
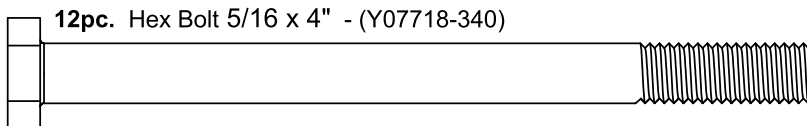
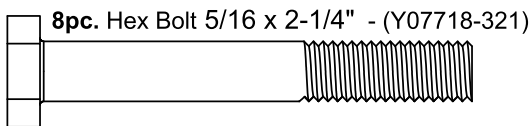
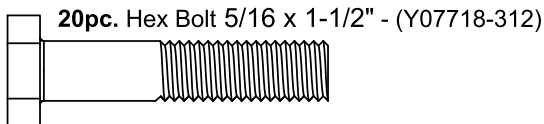
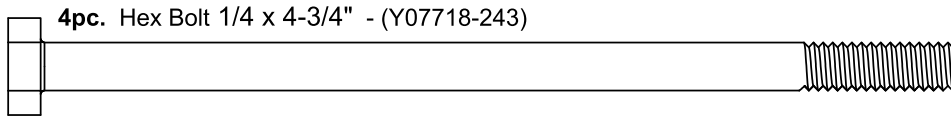
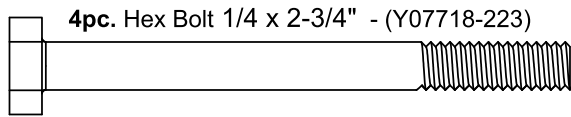
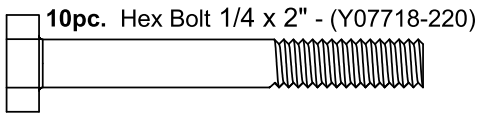
1pc. Hex Driver (Y00400-004)



1pc. 1/8" (Y00400-002)
Drill Bit

Hardware Identification

Dimensions are approximate and are shown to assist in the identification of parts for assembly. Actual dimensions may be smaller or larger.



4pc. Hex Bolt 3/8 x 8" (Y07718-880)

4pc. Hex Bolt 3/8 x 9-1/2" (Y07718-892)

Hardware Identification (Dimensions are approximate and are shown to assist in the identification of parts for assembly. Actual dimensions may be smaller or larger.)

1pc. Roof Panel Set Y70833-164

6pc. Main Panel - Y01033-164 **2pc. Right Side Panel - Y01033-165**

2pc. Ridge Cap Short 21.7 (Y01033-155)

4pc. Ridge Clip Short (Y01033-154)

2pc. Roof Edge Left (Y01033-152)

2pc. Roof Edge Right (Y01033-153)

1pc. Ridge Cap 91 (Y01033-117)

2pc. Ridge Clip (Y01033-114)

Member's Mark.
Accumulated snow must be removed from roof. DO NOT climb or walk on roof for any reason. Toute accumulation de neige doit être retirée du toit. NE JAMAIS grimper ou marcher sur le toit. Quitar la nieve acumulada en el techo. NO trepar ni caminar por el techo por ningún motivo.

By Borrowed Spaces®
support@borrowedspaces.com 1-833-455-9002 www.borrowedspaces.com

1pc. Members Mark Plaque (Y70800-166)

1pc. Weather Seal - Y70818-156 Ridge Clip (6PK)

1pc. Corner Bracket (Y00419-160)

1pc. - Post Mount Bracket Set (8Pk) (Y70819-109)

1pc. Jamb Mount Bracket Set (10Pk) (Y70819-157)

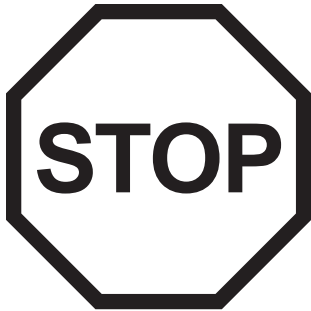
1pc. Tie Centre Bracket Set (4Pk) (Y70819-107)

2pc. Tie Wrap Bracket Set (4Pk) (Y70829-106)

1pc. Tie Wrap Bracket Set (2Pk) (Y70829-163)

1pc. Rafter To Beam Bracket Set (10Pk) (Y70819-175)

Step 1: Inventory Parts - Read This Before Starting Assembly



- A.** This is the time for you to inventory all your hardware, wood and accessories, referencing the parts identification sheets. This will assist you with your assembly.
- Each step indicates which bolts and/or screws you will need for assembly, as well as any flat washers, lock washers, t-nuts or lock nuts.
- B.** If there are any missing or damaged pieces or you need assistance with assembly please contact the consumer relations department directly. Call us before going back to the store.

1-833-455-9002
support@borrowedspaces.com

- C.** Read the assembly manual completely, paying special attention to ANSI warnings; notes; and safety/maintenance information on pages 1 - 4.
- Follow the instructions in order.
 - This structure is designed to be assembled and installed ideally by four people, DO NOT attempt to install alone.
 - Consider the slope of elevation where you plan to install the structure. Also, check for gas, telephone, other utilities or sprinkler line locations prior to excavating any holes.
- D.** Before you discard your cartons fill out the form below.
- The carton I.D. stamp is located on the end of each carton.
 - Please retain this information for future reference. You will need this information if you contact the Consumer Relations Department.

PRODUCT NUMBER: YM11766MM

CARTON I.D. STAMP: _ _ _ _ _ (Box 1)

CARTON I.D. STAMP: _ _ _ _ _ (Box 2)

CARTON I.D. STAMP: _ _ _ _ _ (Box 3)

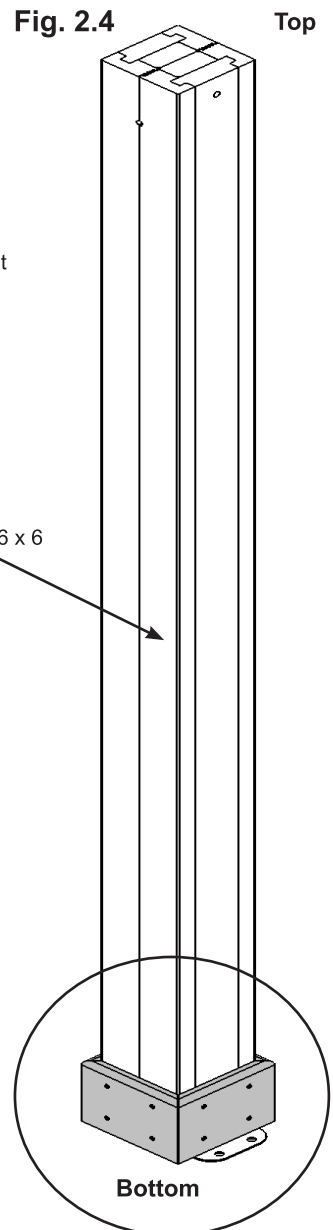
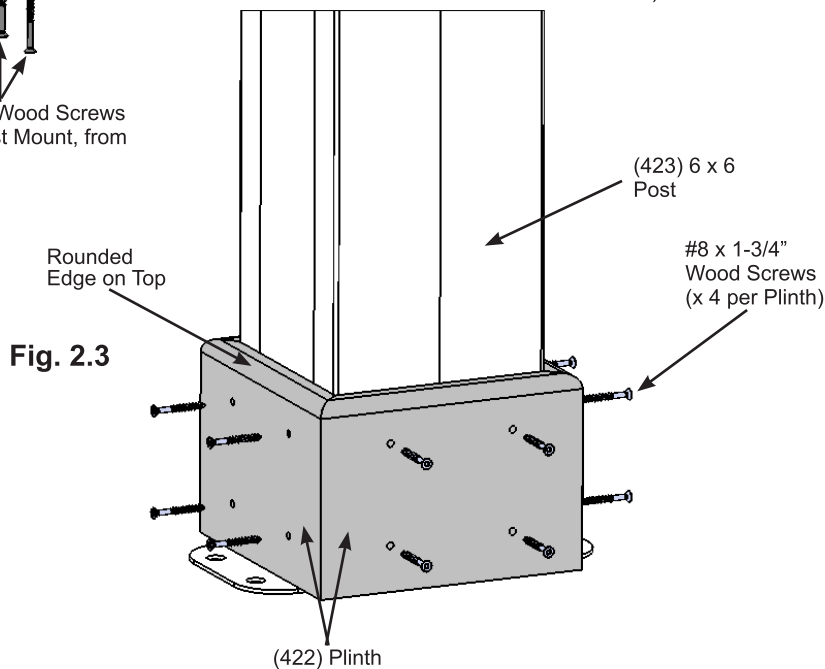
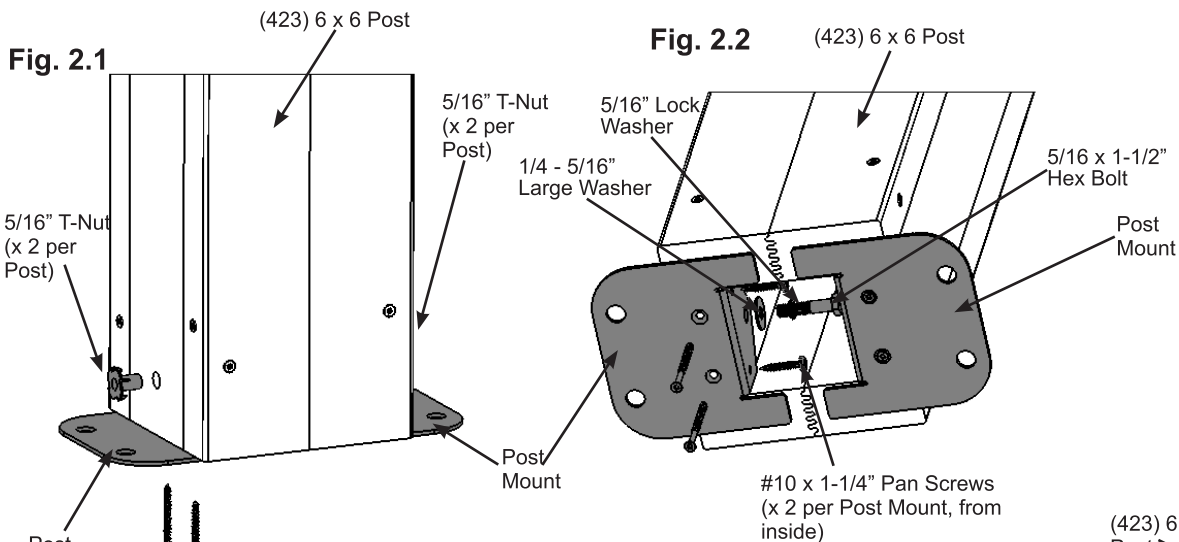
Step 2: Post Assemblies

A: At the bottom of one (423) 6 x 6 Post insert two 5/16" T-Nuts as shown in fig. 2.1.

B: At the bottom of the same (423) 6 x 6 Post place two Post Mounts tight to the bottom and inside faces as shown in fig. 2.1 and 2.2. Loosely attach with one 5/16 x 1-1/2" Hex Bolt (with 5/16" lock washer and 1/4-5/16" large washer) per mount so they connect to the T-Nuts. From the bottom attach with two #8 x 2-1/2" Wood Screws per mount and then from the inside with two #10 x 1-1/4" Pan Screws per mount. These screws are installed at a slight angle. Tighten bolts.

C: Place one (422) Plinth flush to the bottom and tight to the Post Mounts on each side of the (423) 6 x 6 Post and attach with four #8 x 1-3/4" Wood Screws per plinth. Rounded edges on top. (fig. 2.3 and 2.4)

D: Repeat Steps A - C three more times to make four Post Assemblies.



Wood Parts

4 x (423) 6 x 6 Post 152.4 x 152.4 x 2336.8 mm (6 x 6 x 92")
 16 x (422) Plinth 19.1 x 133.4 x 190.5 mm (3/4 x 5-1/4 x 7-1/2")

Hardware

16 x #10 x 1-1/4" Pan Screw
 16 x #8 x 2-1/2" Wood Screw
 64 x #8 x 1-3/4" Wood Screw
 8 x 5/16" T-Nut
 8 x 5/16 x 1-1/2" Hex Bolt
 (with 5/16" lock washer, 1/4-5/16" large washer)
 8 x Post Mount

Step 3: Beam Assembly - Front/Back



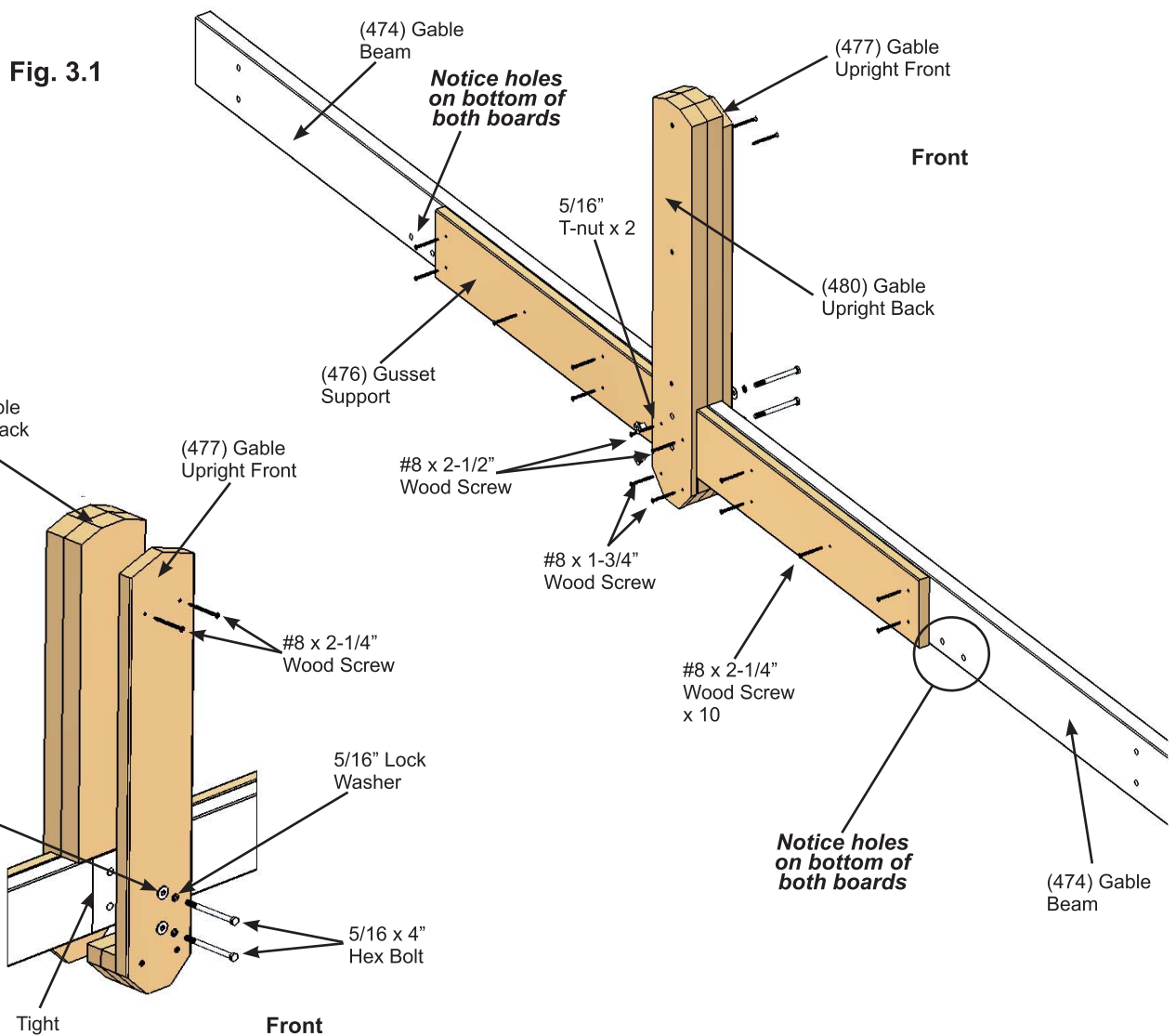
A: Fit together two (474) Gable Beams so the notched out ends are tight together then place one (477) Gable Upright Front on one side and one (480) Gable Upright Back and one (476) Gusset Support on the other side. Loosely attach with two 5/16 x 4" Hex Bolts (with 5/16" lock washer, 1/4-5/16" large washer and 5/16" t-nut) from the front of the assembly. *Note: Bolt holes to the bottom of each (474) Gable Beam (fig. 3.1 and 3.2)*

B: Square then attach the tops of (480) Gable Upright Back and (477) Gable Upright Front with two #8 x 2-1/4" Wood Screws. Tighten bolts from Step A. (fig. 3.1 and 3.2)

C: Attach (476) Gusset Support to each (474) Gable Beam with ten #8 x 2-1/4" Wood Screws. (fig. 3.1)

D: Attach (480) Gable Upright Back to (477) Gable Upright Front with two #8 x 1-3/4" Wood Screws and to (474) Gable Beam with two #8 x 2-1/2" Wood Screws. (fig. 3.1)

E: Repeat Steps A - D one more time to make a second Beam Assembly - Front/Back.



Wood Parts

- 4 x (474) Gable Beam 38.1 x 139.7 x 1790.7 mm (1-1/2 x 5-1/2 x 70-1/2")
- 2 x (476) Gusset Support 25.4 x 139.7 x 1724 mm (1 x 5-1/2 x 67-7/8")
- 2 x (480) Gable Upright Back 76.2 x 139.7 x 813.3 mm (3 x 5-1/2 x 32-1/64")
- 2 x (477) Gable Upright Front 88.9 x 139.7 x 796.5 mm (3-1/2 x 5-1/2 x 31-23/64")

Hardware

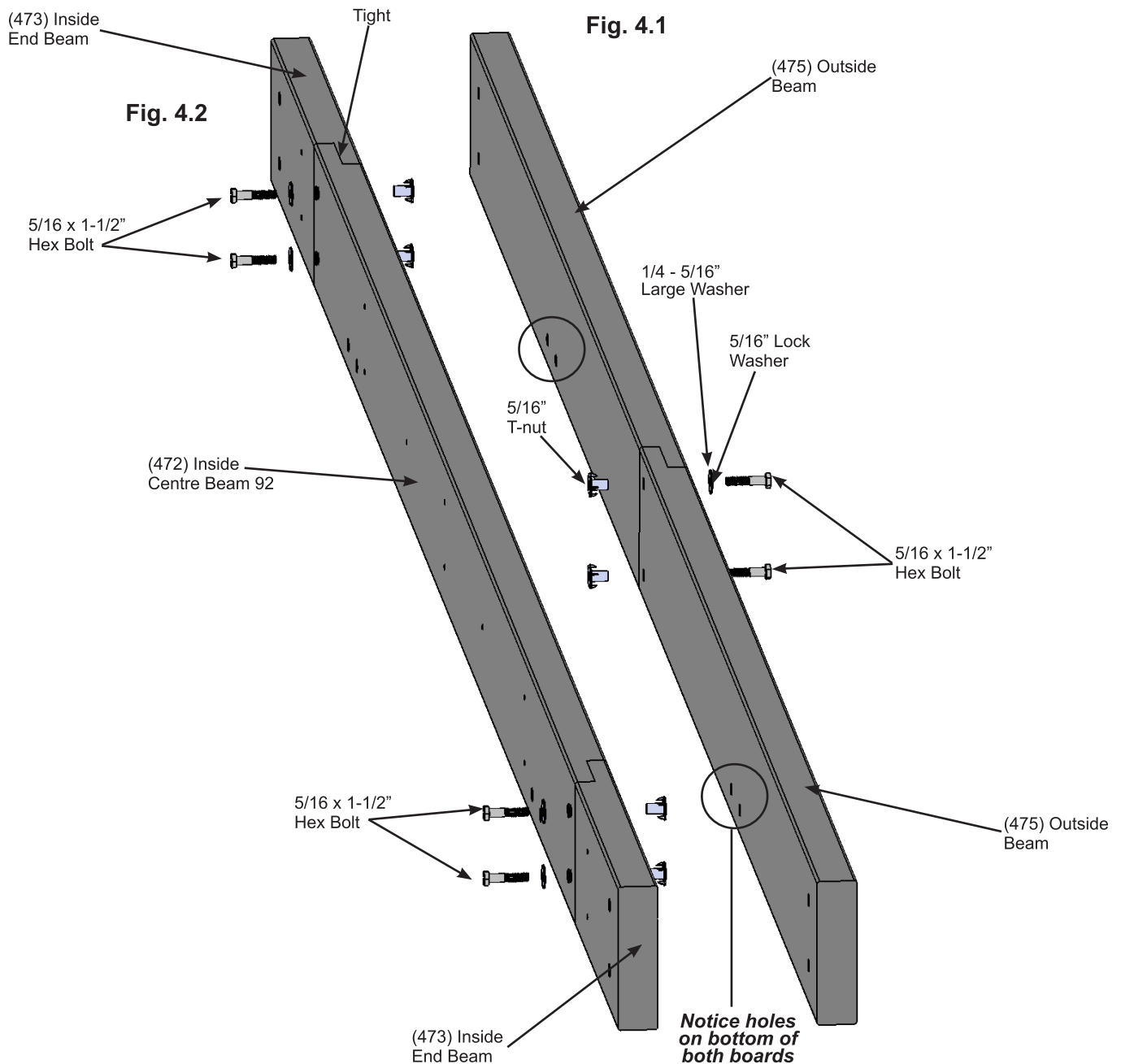
- 4 x 5/16 x 4" Hex Bolt (5/16" lock washer, 1/4-5/16" large washer, 5/16" t-nut)
- 4 x #8 x 1-3/4" Wood Screw
- 24 x #8 x 2-1/4" Wood Screw
- 4 x #8 x 2-1/2" Wood Screw

Step 4: Beam Assembly - Side Part 1

A: Fit two (475) Outside Beams together so the middle pilot holes are at the bottom for both. Connect using two 5/16 x 1-1/2" Hex Bolts (with 5/16" lock washer, 1/4-5/16" large washer and 5/16" t-nut) as shown in fig. 4.1.

B: Connect one (473) Inside End Beam to each end of one (472) Inside Centre Beam 92 using two 5/16 x 1-1/2" Hex Bolts (with 5/16" lock washer, 1/4-5/16" large washer and 5/16" t-nut) per end as shown in fig. 4.2.

C: Repeat Steps A and B one more time to make two Beam Outside Assemblies and two Beam Inside Assemblies.



Wood Parts

- 4 x (475) Outside Beam 38.1 x 139.7 x 1651 mm (1-1/2 x 5-1/2 x 65")
- 2 x (472) Inside Centre Beam 92 38.1 x 139.7 x 2336.8 mm (1-1/2 x 5-1/2 x 92")
- 4 x (473) Inside End Beam 38.1 x 139.7 x 520.7 mm (1-1/2 x 5-1/2 x 20-1/2")

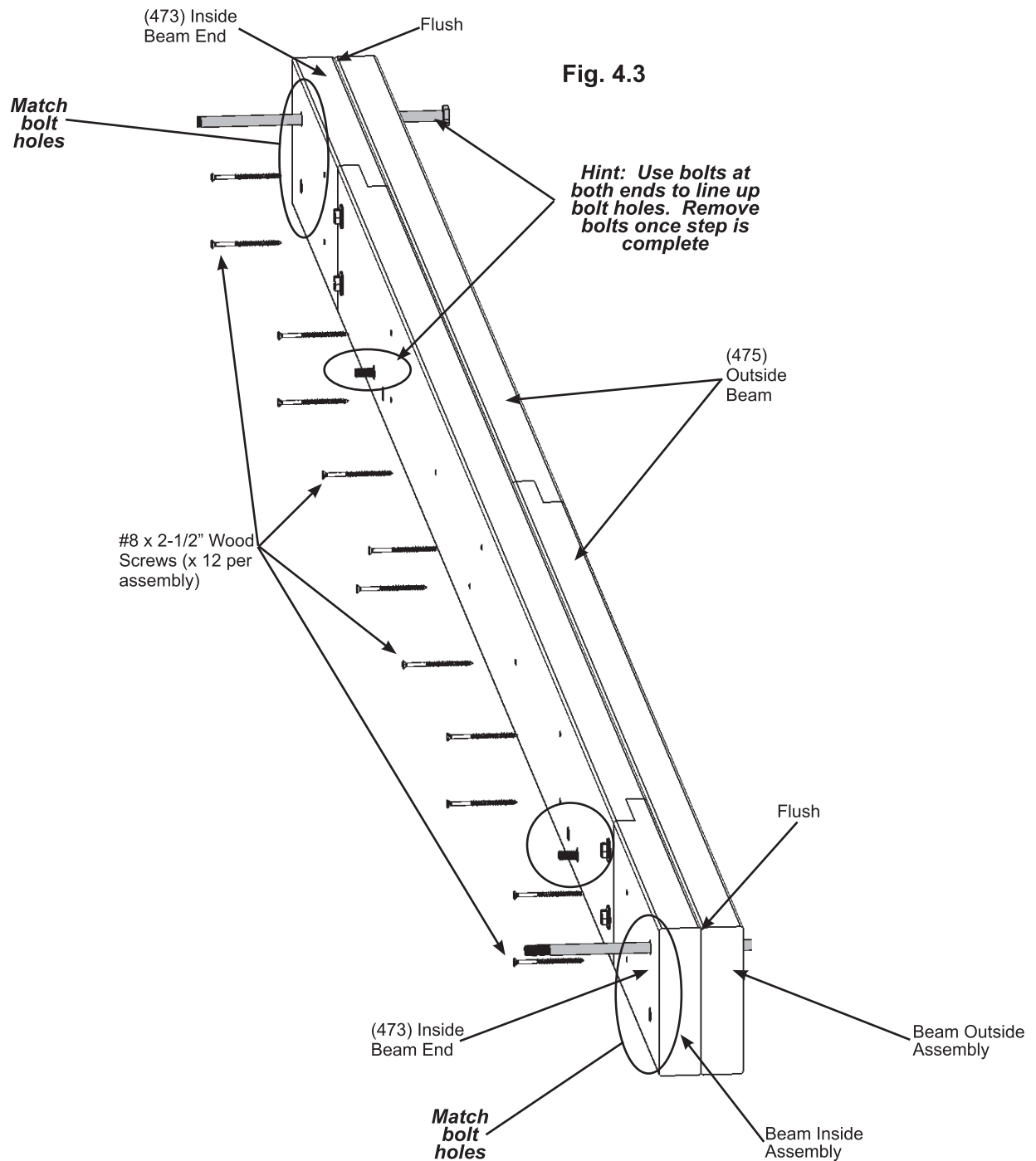
Hardware

- 12 x 5/16 x 1-1/2" Hex Bolt (5/16" lock washer, 1/4-5/16" large washer, 5/16" t-nut)

Step 4: Beam Assembly - Side Part 2

D: Place one Beam Outside Assembly and one Beam Inside Assembly so the ends are flush. Match the bolt holes in each (473) Inside End Beam with the bolt holes in each (475) Outside Beam. Attach assemblies with 12 #8 x 2-1/2" Wood Screws. (fig. 4.3)

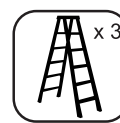
E: Repeat Step D one more times to make a second Beam Assembly - Side.



Hardware

24 x #8 x 2-1/2" Wood Screw

Step 5: Frame Assembly and Anchoring Part 1

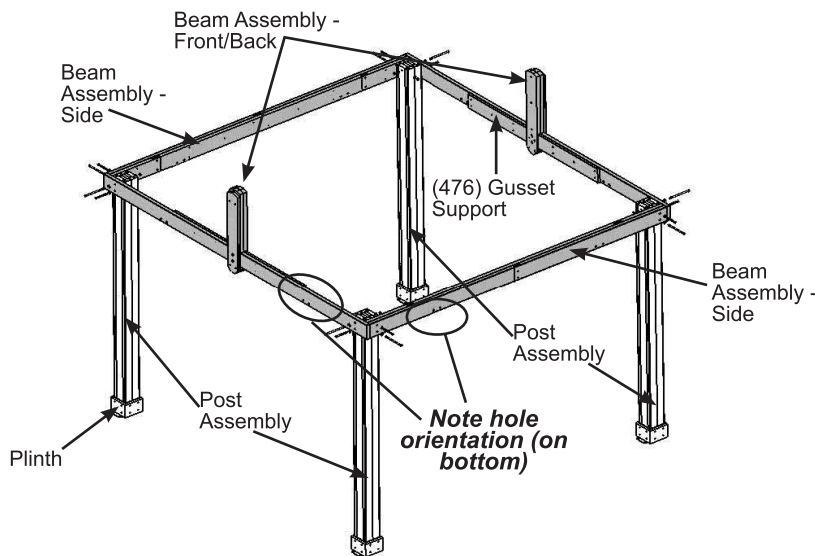


A: Move your Post Assemblies to the final location. Make sure the ground is flat and level before continuing assembly.

B: With one person at each Post stand two complete Post Assemblies. A third person places one Beam Assembly - Side against the outside of each Post, flush to the tops and outside corners. Notice bolt hole orientation on the assemblies. A fourth person attaches Beam to Post with one 3/8 x 9-1/2" Hex Bolt (with two 3/8" large washers and one 3/8" lock nut) per Post. The distance from the outside of one Post to the outside of the second Post should be 10' 7". (fig. 5.1, 5.2 and 5.3)

C: Place one Beam Assembly - Front/Back against two Post Assemblies so the (476) Gusset Support faces the inside and is flush to the top and outside corner of Beam Assembly - Side, then attach with one 3/8 x 8" Hex Bolt (with two 3/8" large washers and one 3/8" lock nut) per Post. The distance from the outside of one Post to the outside of the second Post should be 11'. (fig. 5.1 and 5.2) See fig. 5.3 for accurate positioning of Posts.

Fig. 5.1



D: Repeat Steps B and C for remaining Beam Assemblies. See fig. 5.3 for accurate positioning of Posts.

Fig. 5.2

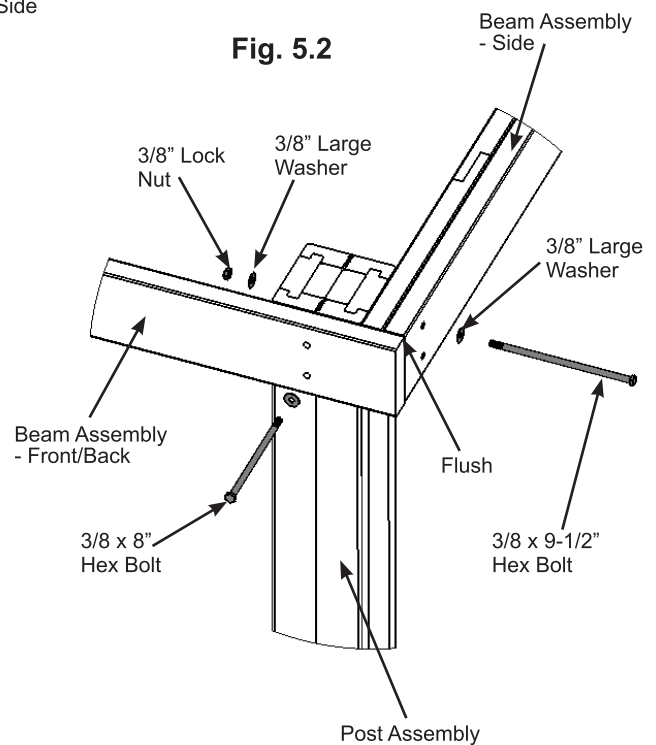
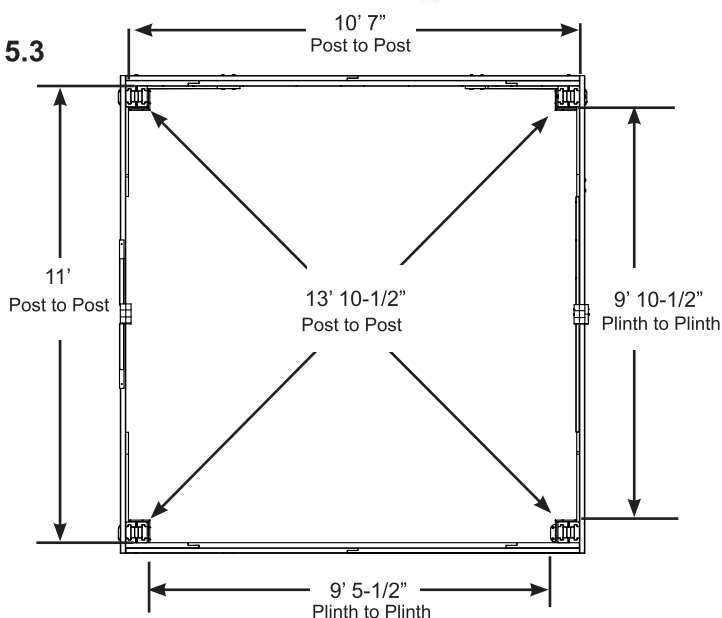


Fig. 5.3



Hardware

4 x 3/8 x 9-1/2" Hex Bolt (3/8" large washer x 2, 3/8" lock nut)

4 x 3/8 x 8" Hex Bolt (3/8" large washer x 2, 3/8" lock nut)

Step 5: Frame Assembly and Anchoring Part 2

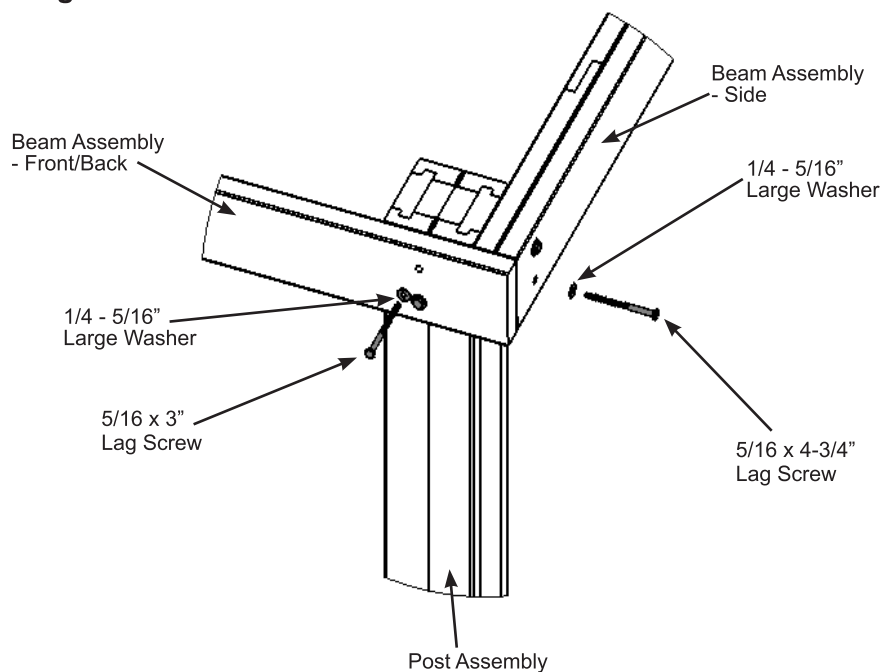


E: Make sure each corner is square and level then attach Beam Assembly - Side to Post Assemblies with one 5/16 x 4-3/4" Lag Screw (with 1/4-5/16" large washer) per corner and Beam Assembly - Front/Back to Post Assemblies with one 5/16 x 3" Lag Screw (with 1/4-5/16" large washer) per corner as shown below. (fig. 5.4)

F: Depending on what you are placing the Pavilion on will determine how you anchor it to that surface. Please refer to pages 6 and 7 for installation examples.

Any hardware or extra materials for mounting will have to be purchased in advance.

Fig. 5.4

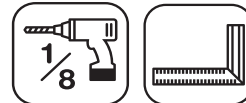


Hardware

4 x 5/16 x 4-3/4" Lag Screw (1/4-5/16" large washer)

4 x 5/16 x 3" Lag Screw (1/4-5/16" large washer)

Step 6: Attach Gussets



Note: The bevelled ends on each gusset should always face away from the wood it is attaching to.

A: Make sure the assembly is still square and level then facing one Beam Assembly - Side place one (330) Gusset Right on the right hand side so the top fits tight to the Beam Assembly - Side and the bottom fits tight to the Post Assembly. Attach gusset to Beam Assembly - Side with two 5/16 x 4" Hex Bolts (with 5/16" lock washer, 1/4-5/16" large washer and 5/16" t-nut). Pre-drill with a 1/8" drill bit then attach gusset to Post Assembly with two 5/16 x 3" Lag Screws (with 1/4-5/16" large washer). Repeat for the left hand side with one (331) Gusset Left. (fig. 6.1 and 6.2)

B: Repeat Step A for Beam Assembly - Front/Back using two 5/16 x 2-1/4" Hex Bolts (with 5/16" lock washer, 1/4-5/16" large washer and 5/16" t-nut) to attach gussets to Beam Assembly - Front/Back. (fig. 6.1 and 6.2)

C: Repeat Steps A and B so all 8 gussets are attached. (fig. 6.1 and 6.2)

Fig. 6.1

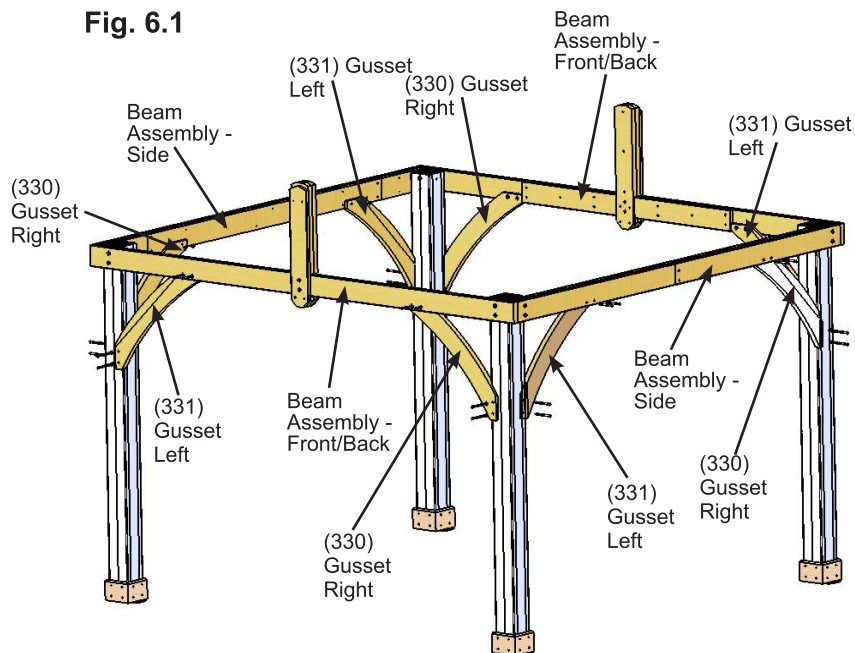
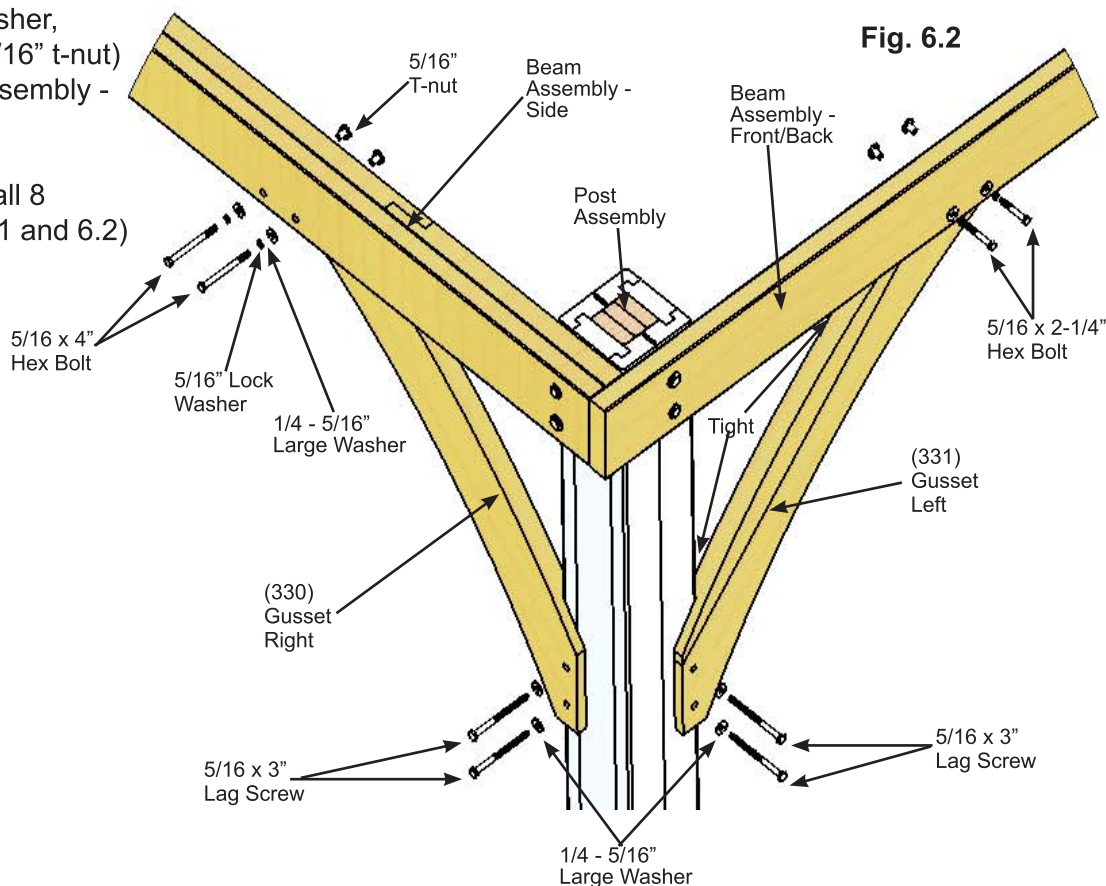


Fig. 6.2



Wood Parts

- 4 x (330) Gusset Right 38.1 x 190.5 x 1003.3 mm (1-1/2 x 7-1/2 x 39-1/2")
- 4 x (331) Gusset Left 38.1 x 190.5 x 1003.3 mm (1-1/2 x 7-1/2 x 39-1/2")

Hardware

- 16 x 5/16 x 3" Lag Screw (1/4-5/16" large washer)
- 8 x 5/16 x 4" Hex Bolt (5/16" lock washer, 1/4-5/16" large washer, 5/16" t-nut)
- 8 x 5/16 x 2-1/4" Hex Bolt (5/16" lock washer, 1/4-5/16" large washer, 5/16" t-nut)

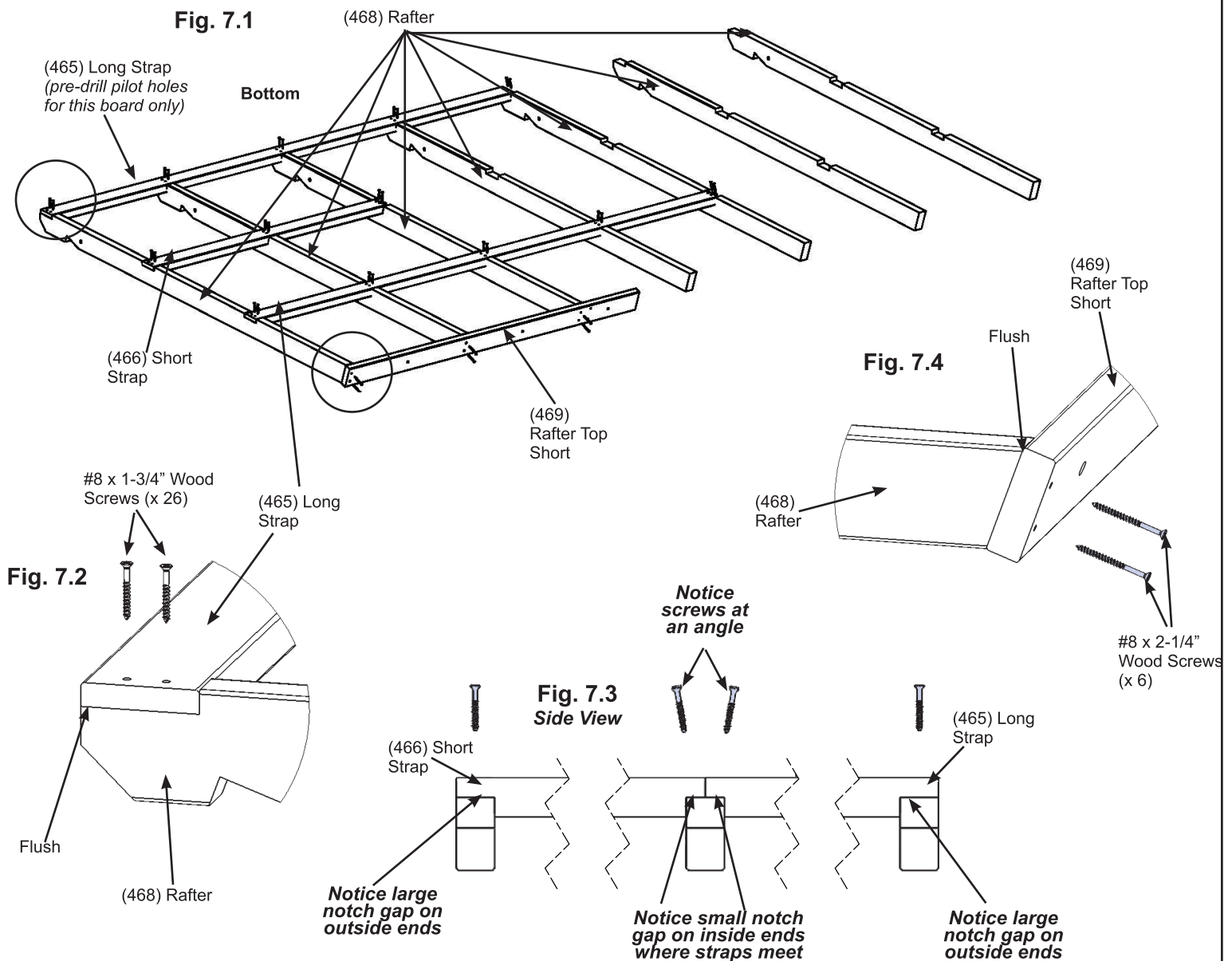
Step 7: Frame Roof Panel Part 1



A: Lay out 7 (468) Rafters on a hard flat surface as shown in fig. 7.1. You will need lots of room for this step.

B: Place 1 (465) Long Strap on the bottom of five (468) Rafters, flush to the outside edge of the first and centred on the last. Be sure the wider gap on (465) Long Strap is on the first (468) Rafter. Follow by placing one (466) Short Strap then another (465) Long Strap in the same manner. Make sure the assembly is square, pre-drill the first (465) Long Strap with a 1/8" drill bit as shown below, then attach both (465) Long Straps with ten #8 x 1-3/4" Wood Screws per board and to (466) Short Strap with six #8 x 1-3/4" Wood Screws. The screws on the fourth (468) Rafter are inserted at an angle. (fig. 7.1, 7.2 and 7.3)

C: Place one (469) Rafter Top Short on the angled ends of the (468) Rafters so the outside edges are flush then attach to three (468) Rafters with six #8 x 2-1/4" Wood Screws. (fig. 7.1 and 7.4)



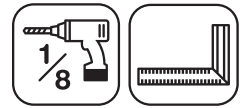
Wood Parts

- 14 x (468) Rafter 31.8 x 82.6 x 2033 mm (1-1/4 x 3-1/4 x 80-3/64")
- 2 x (466) Short Strap 31.8 x 76.2 x 1106.4 mm (1-1/4 x 3 x 43-9/16")
- 4 x (465) Long Strap 31.8 x 76.2 x 2195.5 mm (1-1/4 x 3 x 86-7/16")
- 2 x (469) Rafter Top Short 25.4 x 88.9 x 1378.3 mm (1 x 3-1/2 x 54-17/64")

Hardware

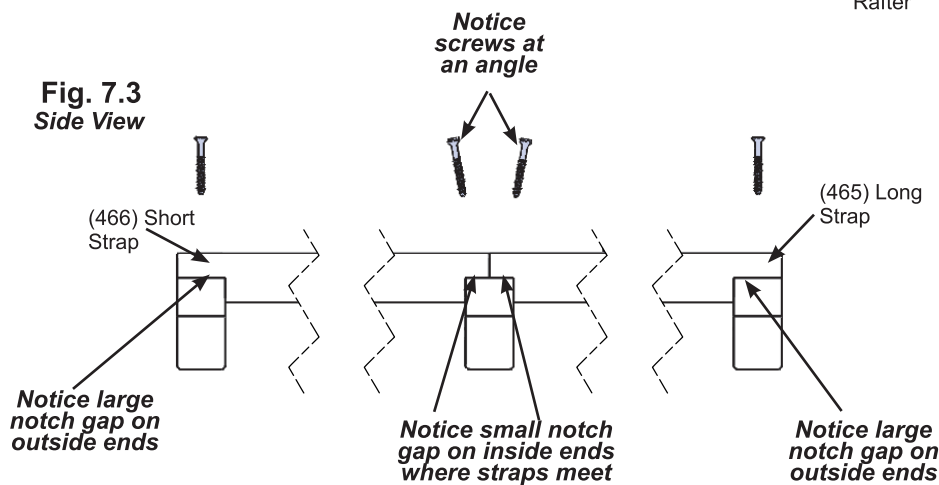
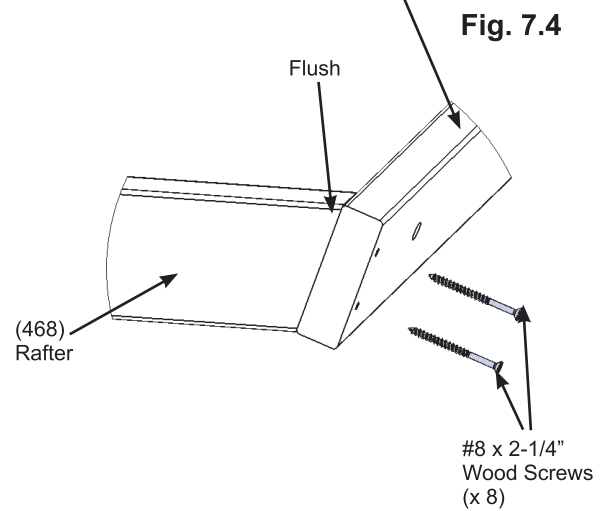
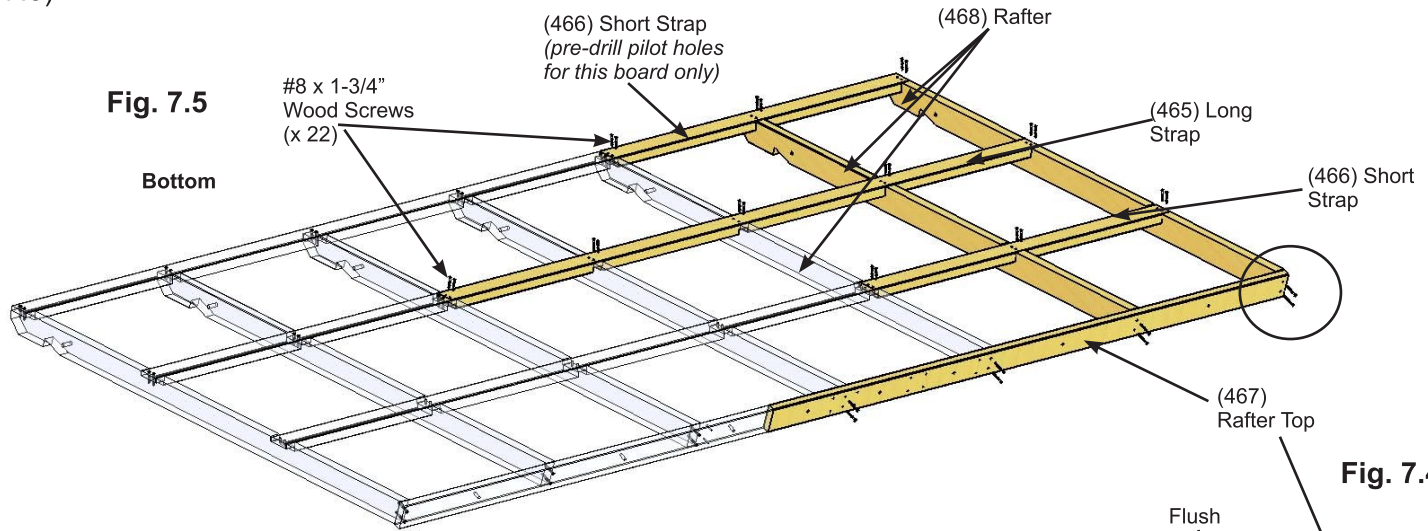
- 52 x #8 x 1-3/4" Wood Screw
- 12 x #8 x 2-1/4" Wood Screw

Step 7: Frame Roof Panel Part 2



D: Tight to each (465) Long Strap place one (466) Short Strap and tight to the first (466) Short Strap place one (465) Long Strap. Make sure the wider gap on each strap is on the outside. Make sure the assembly is square, pre-drill the first (466) Short Strap with a 1/8" drill bit, as shown below, then attach both (466) Short Straps with six #8 x 1-3/4" Wood Screws per board and (465) Long Strap with ten #8 x 1-3/4" Wood Screws. The screws where the straps meet are inserted at an angle. (fig. 7.3 and 7.5)

E: Tight to (469) Rafter Top Short attach one (467) Rafter Top with eight #8 x 2-1/4" Wood Screws. (fig. 7.4 and 7.5)



Wood Parts

- 4 x (466) Short Strap 31.8 x 76.2 x 1106.4 mm (1-1/4 x 3 x 43-9/16")
- 2 x (465) Long Strap 31.8 x 76.2 x 2195.5 mm (1-1/4 x 3 x 86-7/16")
- 2 x (467) Rafter Top 25.4 x 88.9 x 1923.6 mm (1 x 3-1/2 x 75-47/64")

Hardware

- 44 x #8 x 1-3/4" Wood Screw
- 16 x #8 x 2-1/4" Wood Screw

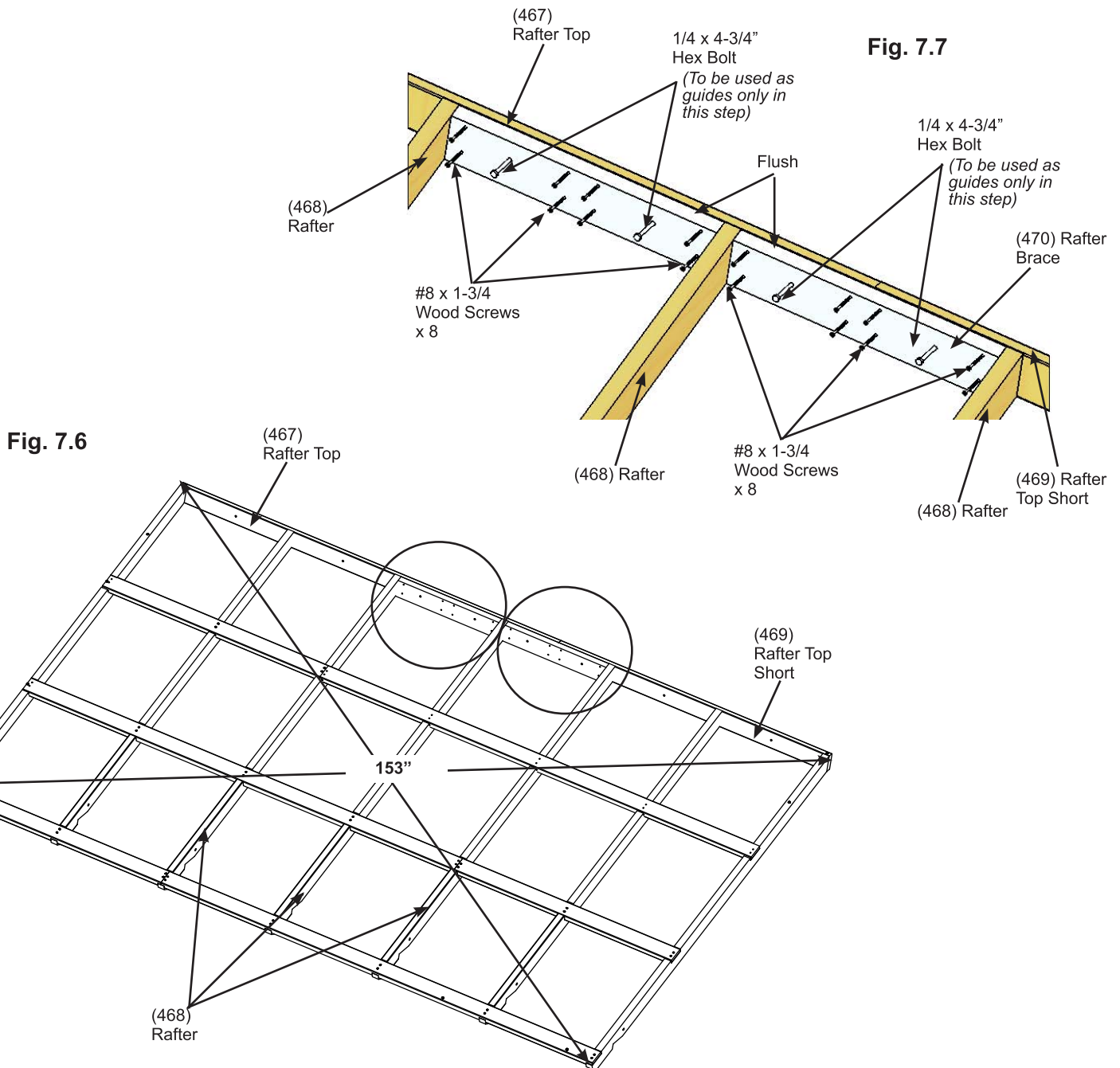
Step 7: Frame Roof Panel Part 3



F: Make sure frame is square. Measurements to be as shown in fig. 7.6.

G: In the two middle gaps between (468) Rafters place one (470) Rafter Brace flush to the top of (469) Rafter Top Short and (467) Rafter Top. Use two 1/4 x 4-3/4" Hex Bolts per brace as a guide to line up the bolt holes. Attach (470) Rafter Braces to (469) Rafter Top Short and (467) Rafter Top with eight #8 x 1-3/4" Wood Screws per brace. Remove each Hex Bolt as they will be used in a later step and not installed here. (fig. 7.6 and 7.7)

H: Repeat Steps A - G to create a second Roof Panel Frame.

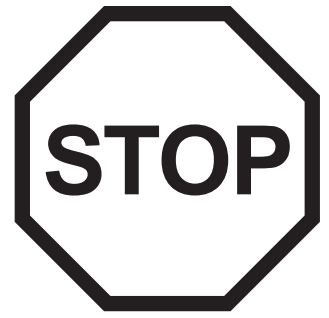
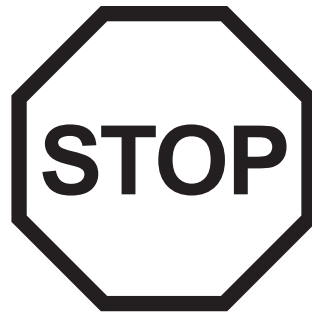
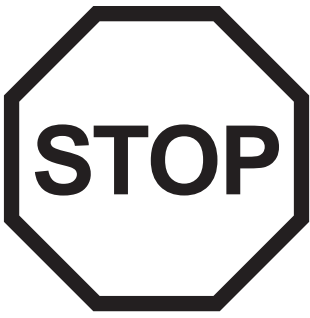


Wood Parts

4 x (470) Rafter Brace 25.4 x 97.6 x 513.2 mm (1 x 3-27/32 x 20-13/64")

Hardware

32 x #8 x 1-3/4" Wood Screw



INSTALLING ROOFING MATERIAL

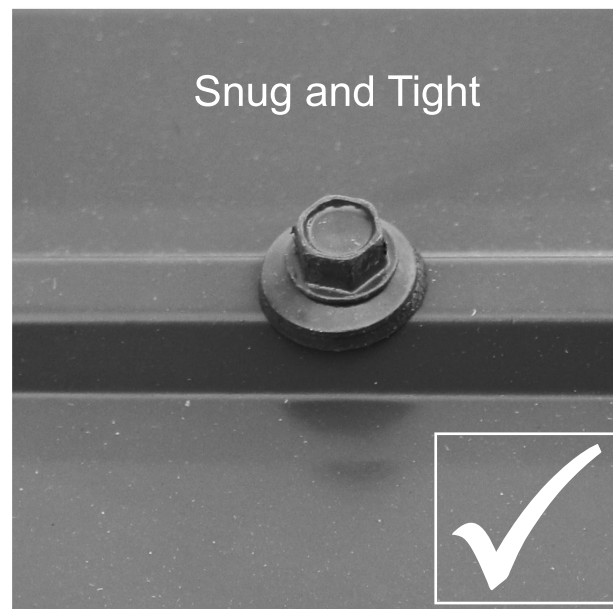
CAUTION!

Roofing material may have sharp edges! Wear gloves!

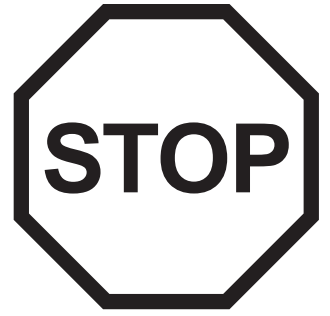
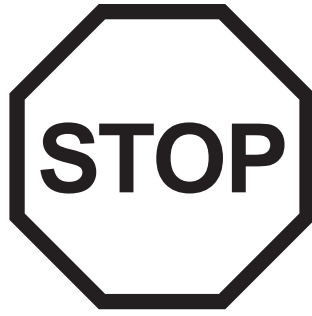
HANDLE WITH CARE!

Place roofing material on a non-abrasive surface before assembly as it can bend, dent and scratch easily.

**WARNING – DO NOT OVER TIGHTEN ROOFING SCREWS!
Over tightening screws will cause roofing material to crush.**



The roofing screws can easily crush the Roof Panels and Roof Edges when using a power drill. We recommend hand tightening the roofing screws so that they sit snug and tight to the roofing material.

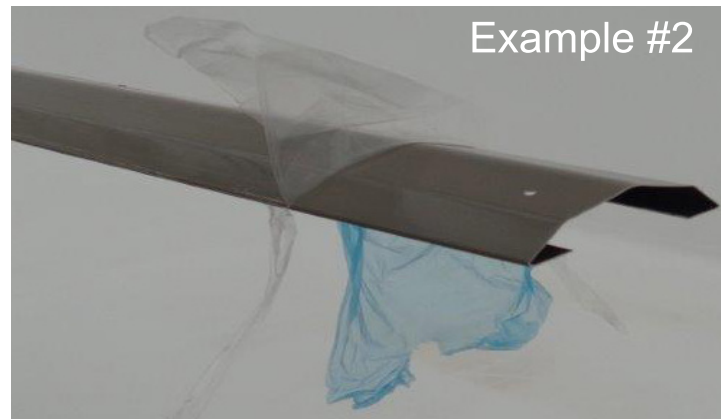
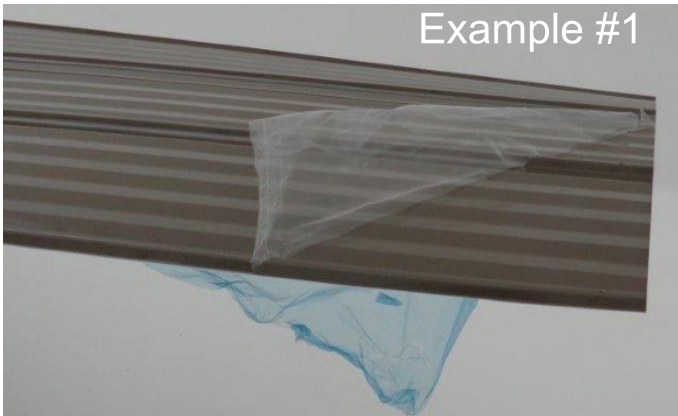


INSTALLING ROOFING MATERIAL

CAUTION!

Roofing material may have sharp edges! Wear gloves!

BE SURE TO REMOVE ALL PLASTIC COVERING, ON BOTH SIDES OF THE ALUMINUM PANELS AND TRIM, DIRECTLY BEFORE INSTALLING EACH PIECE. *(One side is clear and the other is blue, both must be removed.)*



Step 8: Attach Roof Panels Part 1



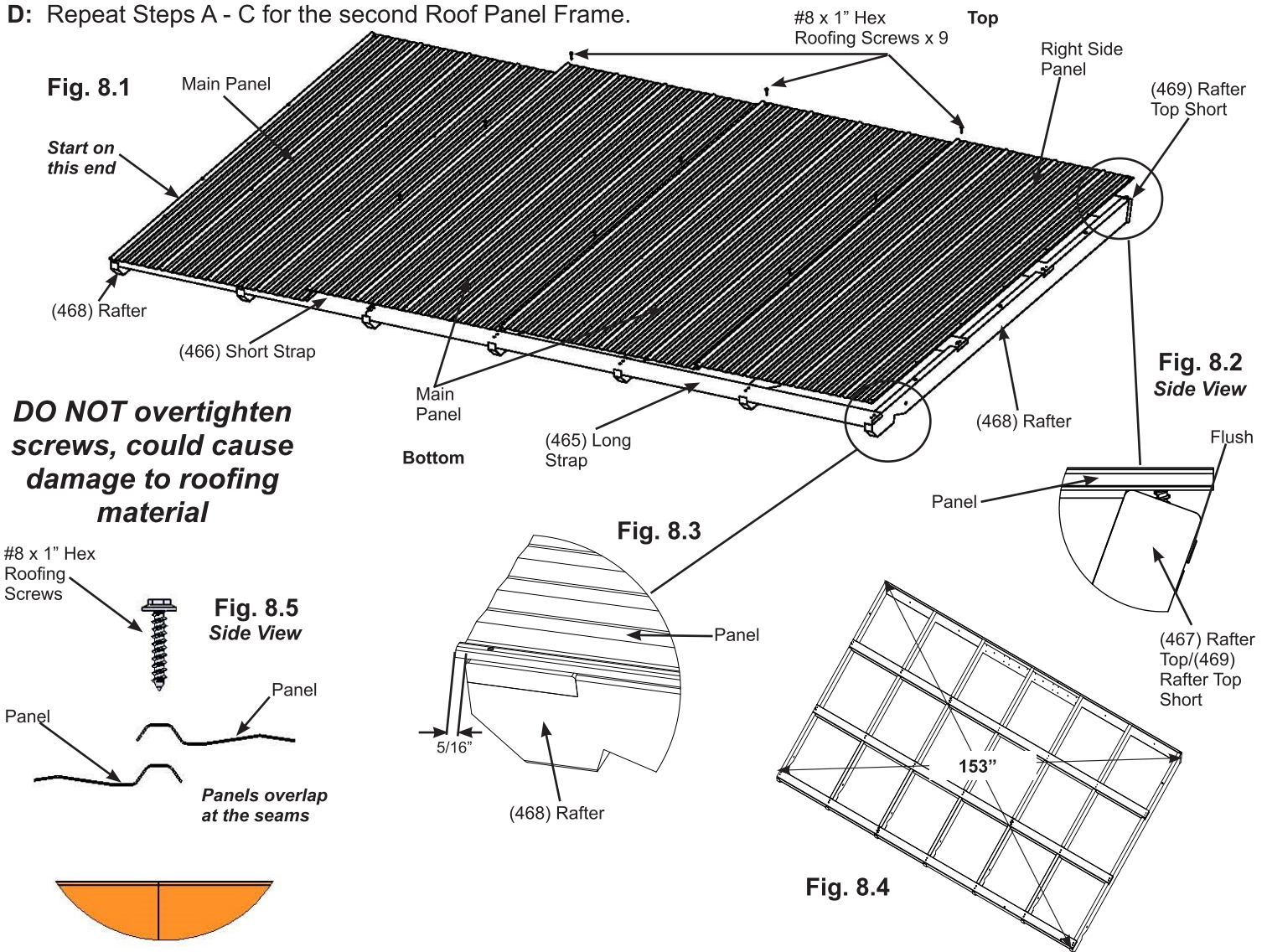
Note: Be sure to remove all plastic covering on both sides of the metal panels directly before installing each piece.

A: Make sure panel is still square then on one Roof Panel Frame place one Main Panel flush to the top and sides of the outside (468) Rafter on the side shown below. Panels should be flush to the top of the (467) Rafter Top and (469) Rafter Top Short. There will be approximately a 5/16" overhang at the bottom. There are no holes on the ribs at the top of the panel. (fig. 8.1, 8.2, 8.3 and 8.4)

B: Place two more Main Panels beside the first then lastly one Right Side Panel so the panels overlap and screw holes line up as shown below. (fig. 8.1 and 8.5)

C: Attach all four Panels to Roof Panel Frame using nine #8 x 1" Hex Roofing Screws in locations shown in fig. 8.1. Do not install screws to the outside (466) Short Strap and (465) Long Strap. Be sure not to overtighten screws.

D: Repeat Steps A - C for the second Roof Panel Frame.



Roof Panel Set:

- 6 x Main Panel
- 2 x Right Side Panel

Hardware

- 18 x #8 x 1" Hex Roofing Screw

Step 8: Attach Roof Panels Part 2



E: Place one Roof Edge Left and one Roof Edge Right on the bottom of one Roof Panel Frame so they meet tight and the ends are flush with the outside ends of (466) Short Strap and (465) Long Strap. Pre-drill the end hole on Roof Edge Left with a 1/8" drill bit then attach both Roof Edges with 16 #8 x 1" Hex Roofing Screws. (fig. 8.4 and 8.5)

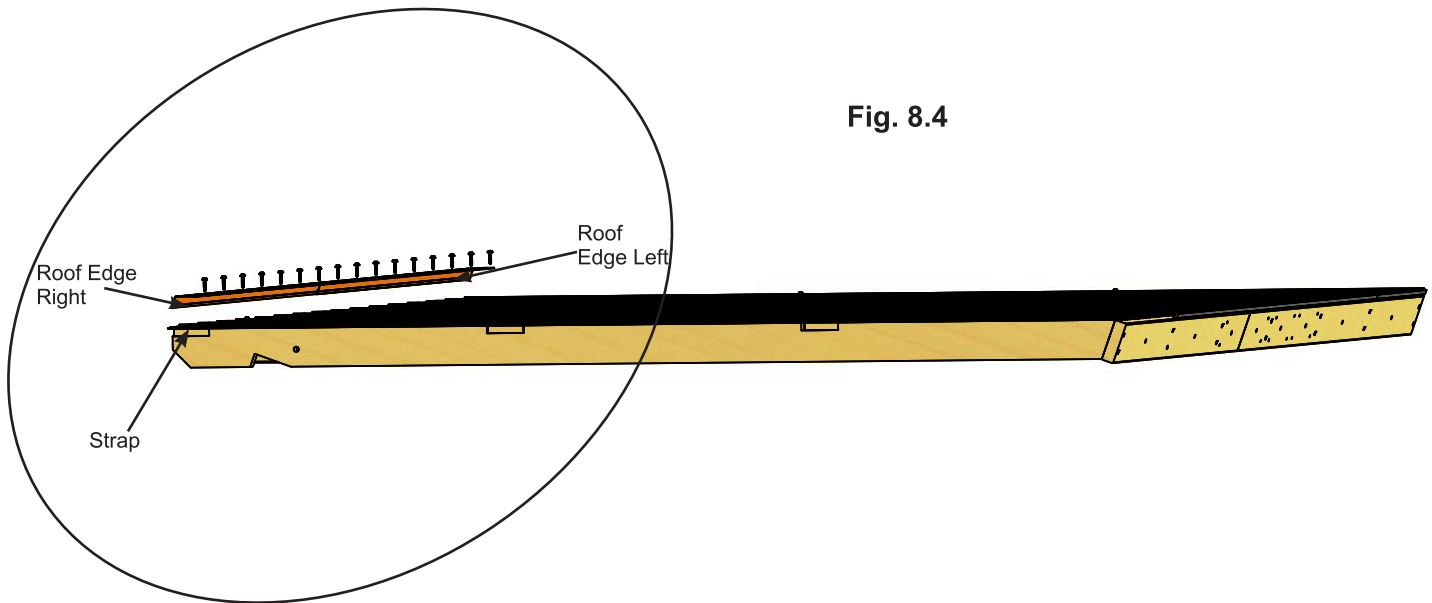


Fig. 8.4

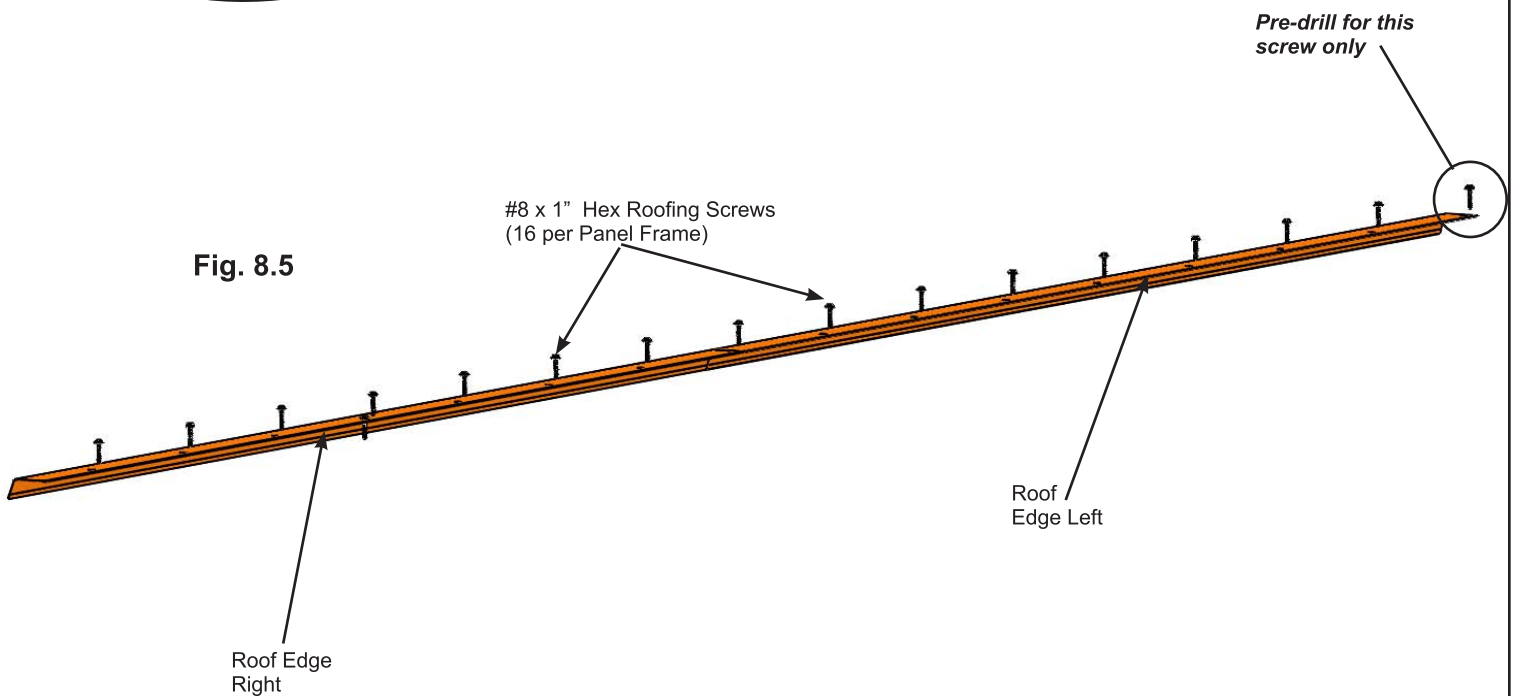


Fig. 8.5

Components

- 2 x Roof Edge Left
- 2 x Roof Edge Right

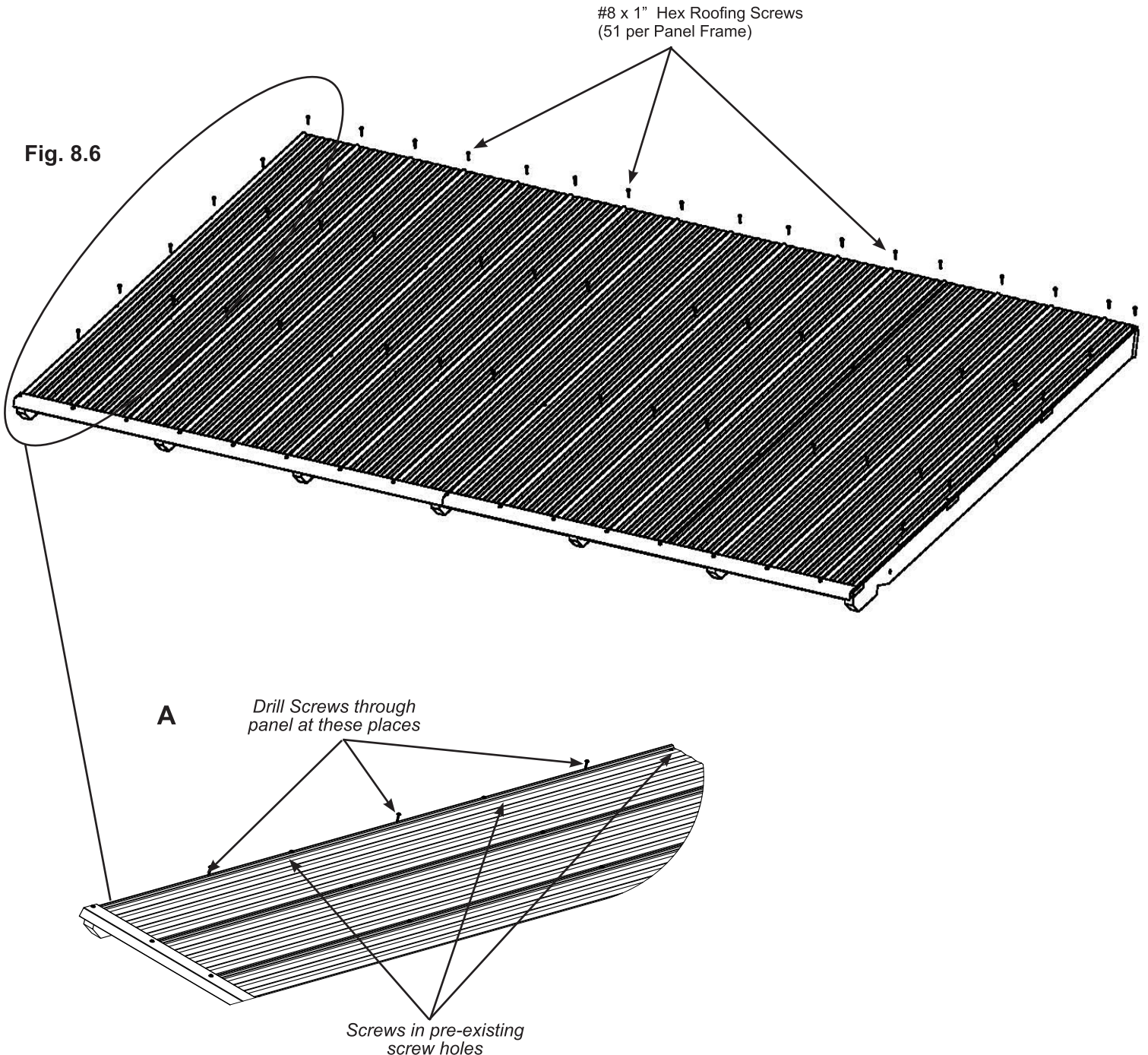
Hardware

- 32 x #8 x 1" Hex Roofing Screw

Step 8: Attach Roof Panels

Part 3

F: Attach the three Main Panels and one Right Side Panel to Roof Panel Frame using 45 #8 x 1" Hex Roofing Screws as shown in fig. 8.6. On the left outside (468) Rafter, in between the screw holes, three additional screws are to be inserted through the panels in the spaces indicated below (see A). Be sure not to overtighten screws.



Hardware

102 x #8 x 1" Hex Roofing Screw

Step 8: Attach Roof Panels Part 4



G: Place Weather Seal on the inside of two Ridge Clip Short then place one Ridge Clip Short flush to each side of Roof Panel Frame and 2-3/4" up from the bottom of (467) Rafter Top and (469) Rafter Top Short, make sure not to compress Weather Seal. Attach with three #7 x 3/4" Wood Screws per Ridge Clip Short. Ridge Clip Shorts must cover the Roof Panels. (fig. 8.7, 8.8, 8.9 and 8.10)

H: Place Weather Seal on the inside of one Ridge Clip then place Ridge Clip in between both Ridge Clip Shorts. 2-1/2" up from the bottom of (467) Rafter Top and (469) Rafter Top Short. Ridge Clip must cover the Roof Panels. Do not compress Weather Seal. Attach with seven #7 x 3/4" Wood Screws. (fig. 8.7, 8.8, 8.9 and 8.10)

I: Repeat Steps E - H for the second Roof Panel Frame.

Fig. 8.7

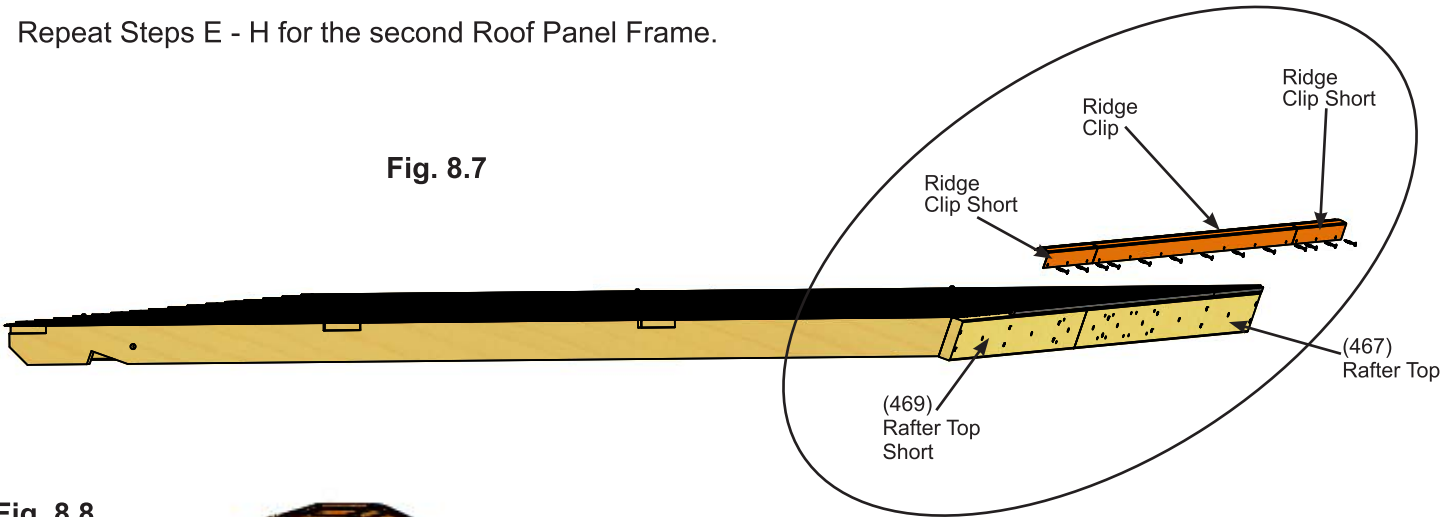


Fig. 8.8

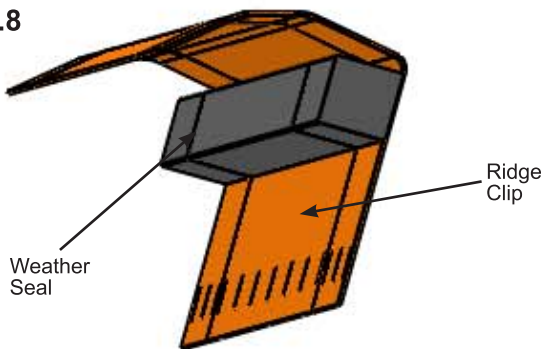


Fig. 8.9

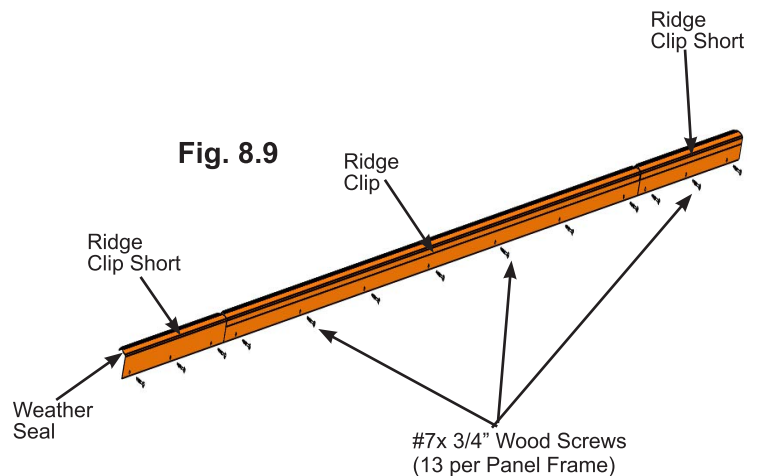
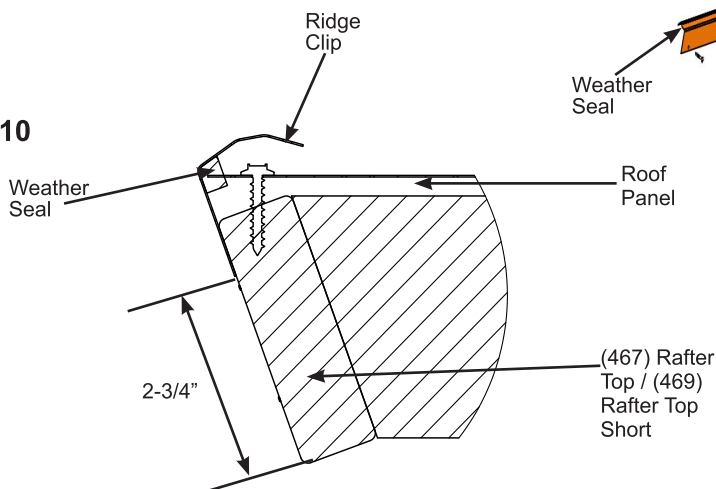


Fig. 8.10



Components

- 2 x Ridge Clip
- 4 x Ridge Clip Short
- 6 x Weather Seal

Hardware

- 26 x #7 x 3/4" Wood Screw

Step 9: Attach Roof Panels to Frame Part 2



C: From inside the assembly attach the two Roof Panel Frames together through each (470) Rafter Braces with four 1/4 x 4-3/4" Hex Bolts (with two 1/4-5/16" large washer and one 1/4" lock nut) and through (467) Rafter Tops and (469) Rafter Top Shorts with four 1/4 x 2-3/4" Hex Bolt (with two 1/4-5/16" large washer and one 1/4" lock nut). (fig. 9.4, 9.5, 9.6 and 9.7)

Fig. 9.4

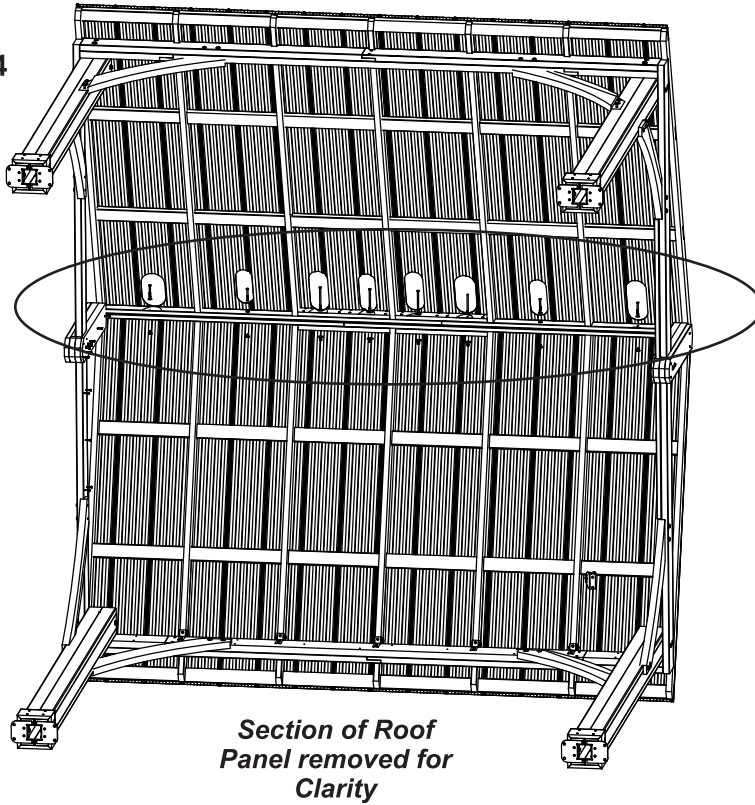


Fig. 9.6

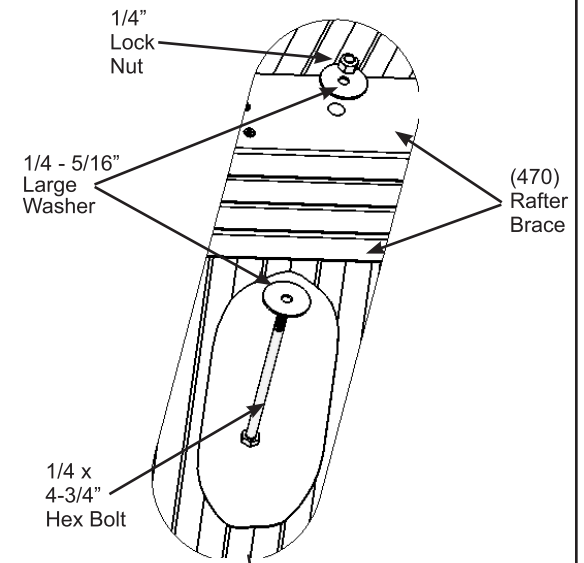
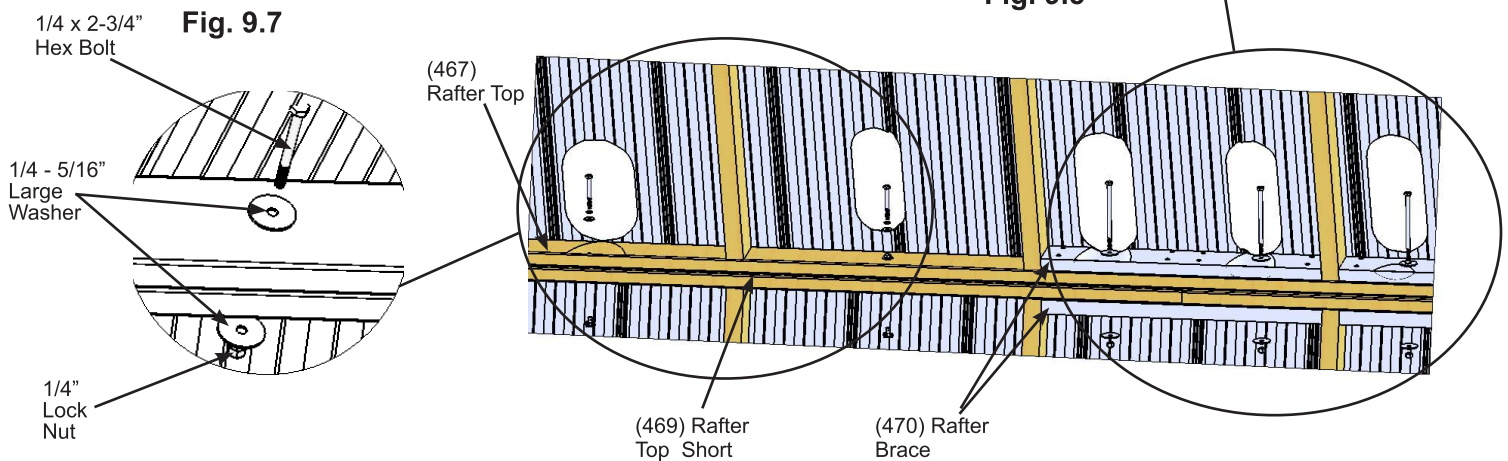


Fig. 9.5

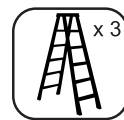


Hardware

4 x 1/4 x 4-3/4" Hex Bolt
(1/4-5/16" large washer x 2, 1/4" lock nut)

4 x 1/4 x 2-3/4" Hex Bolt
(1/4-5/16" large washer x 2, 1/4" lock nut)

Step 9: Attach Roof Panels to Frame Part 3



D: Loosely attach each of the centre (468) Rafters to the inside of each Beam Assembly - Side with one Rafter to Beam Bracket per (468) Rafter using one 1/4 x 2" Hex Bolt (with two 1/4-5/16" large washer and one 1/4" lock nut) per bracket. Push up on the centre of the Roof Panels so the notches in (468) Rafters are tight to the Beam Assembly - Side then attach five #10 x 1-1/4" Pan Screws per bracket. Once screws are installed tighten bolts. (fig. 9.8, 9.9 and 9.10)

Fig. 9.8

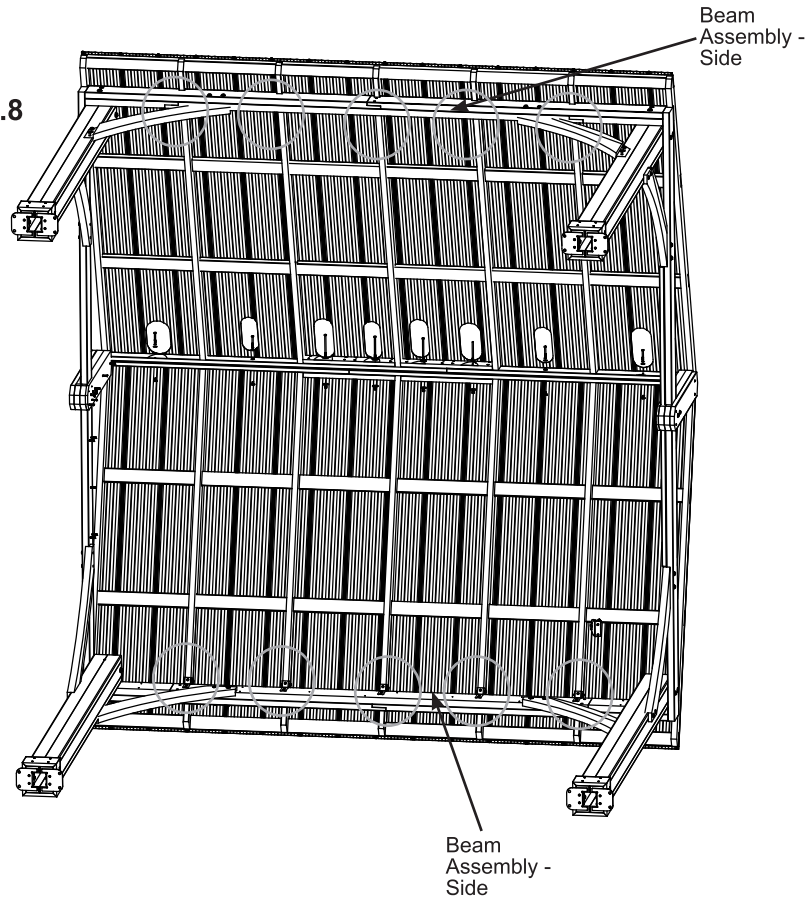


Fig. 9.9

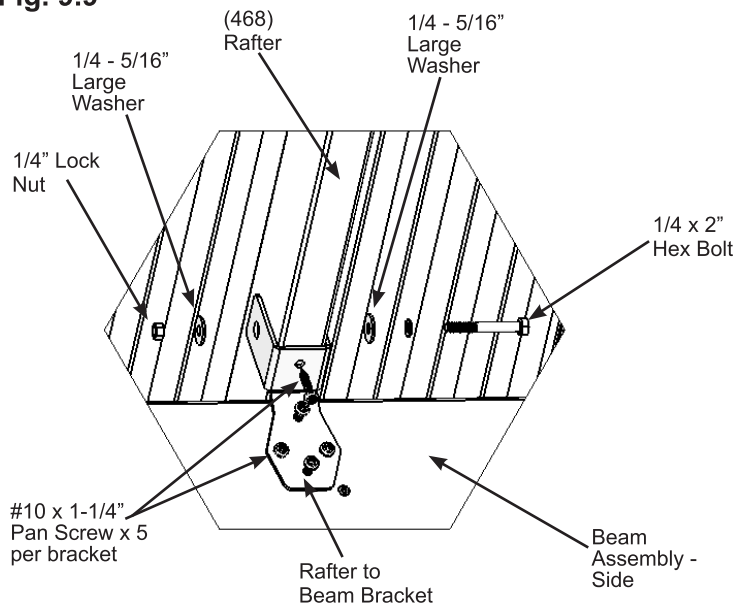
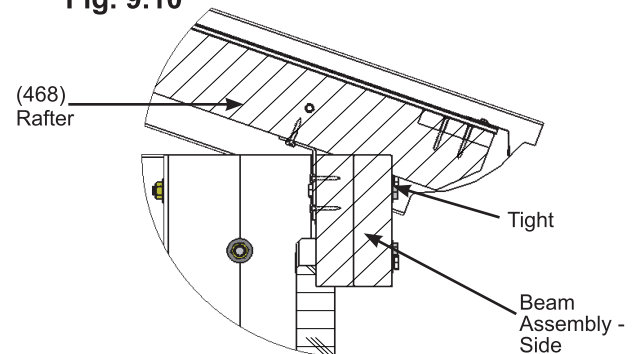


Fig. 9.10



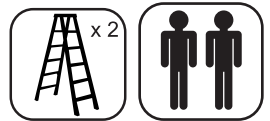
Component

10 x Rafter to Beam Bracket

Hardware

10 x 1/4 x 2" Hex Bolt (1/4-5/16" large washer x 2, 1/4" lock nut)
50 x #10 x 1-1/4" Pan Screw

Step 10: Attach Ridge Caps Part 1



A: Slide Ridge Cap over the Ridge Clips towards the centre of the roof. (fig. 10.1 and 10.2)

B: With the swaged end facing in slide one Ridge Cap Short at each end of the roof over the Ridge Clips. Use the swaged end to help push the Ridge Cap to the centre of the roof. Each Ridge Cap Short should be flush to the outside edge of the roof. (fig. 10.1, 10.3 and 10.4)

Fig. 10.2

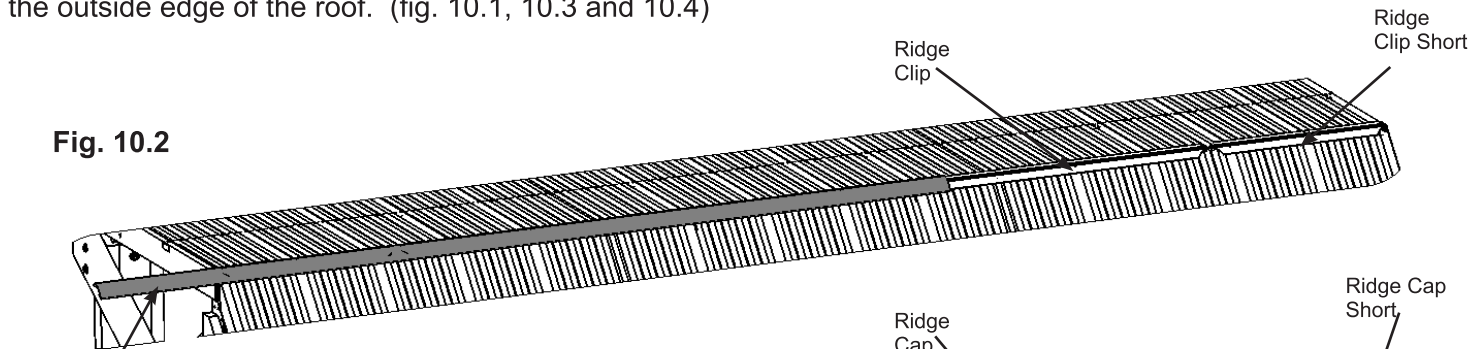
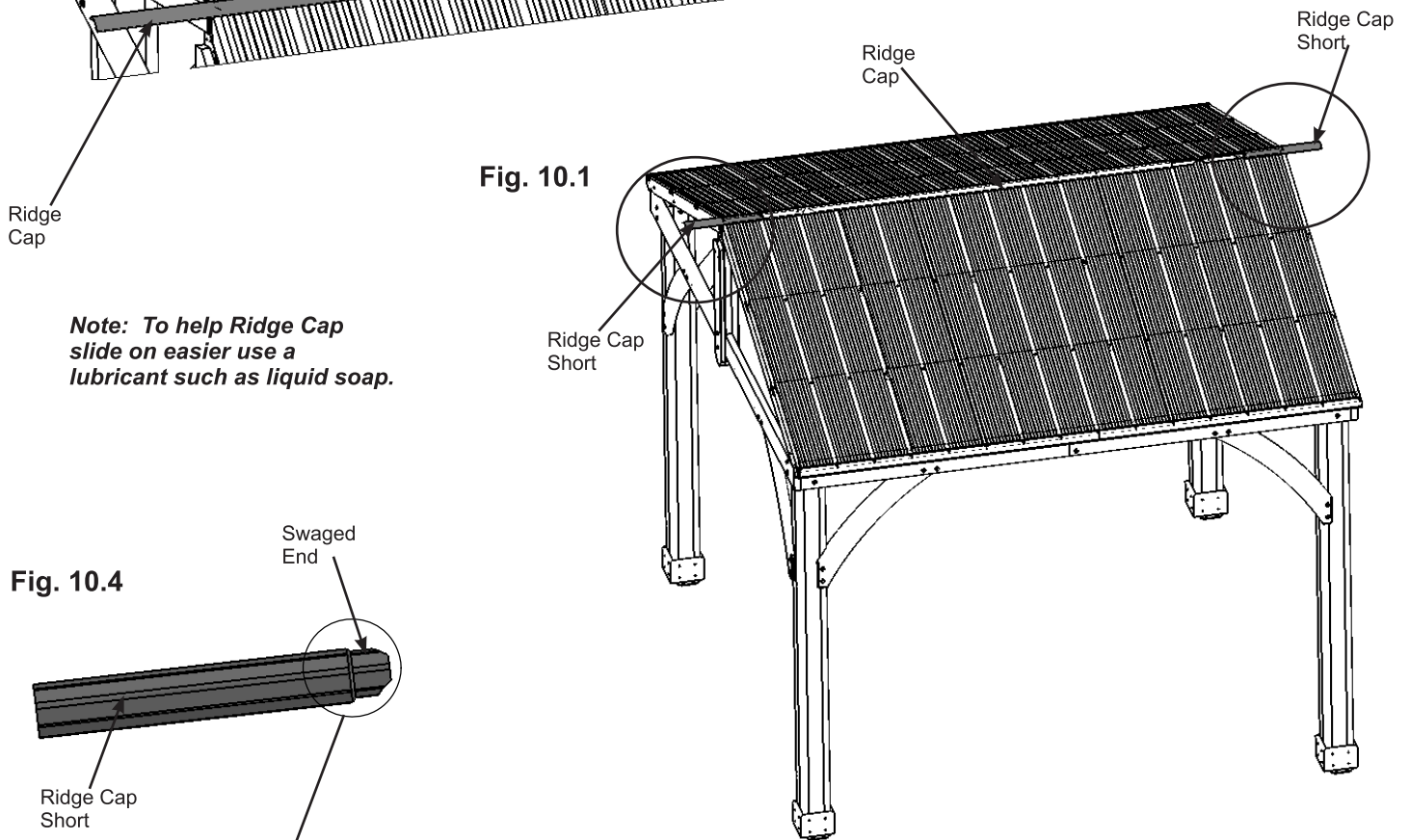
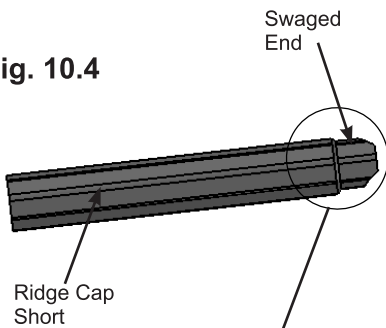


Fig. 10.1



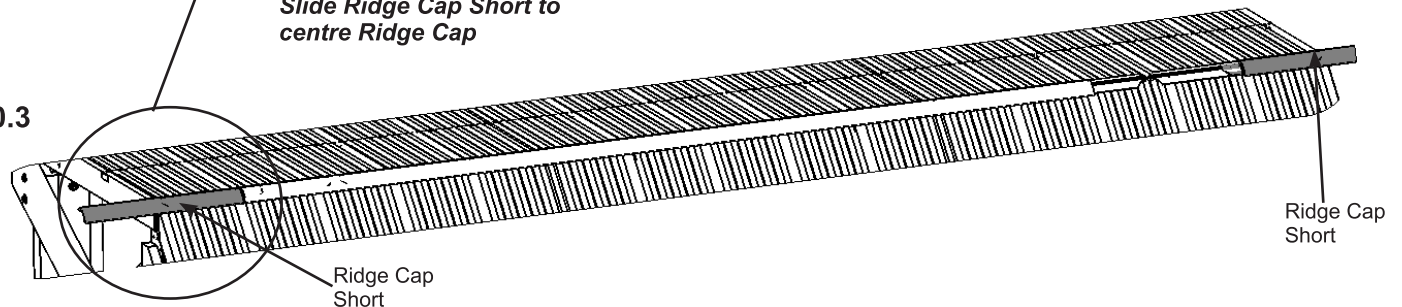
Note: To help Ridge Cap slide on easier use a lubricant such as liquid soap.

Fig. 10.4



Slide Ridge Cap Short to centre Ridge Cap

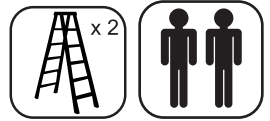
Fig. 10.3



Componets:

- 1 x Ridge Cap
- 2 x Ridge Cap Short

Step 10: Attach Ridge Caps Part 2



C: Make sure the Ridge Cap Shorts are flush to the outside edge of the roof then attach each end of the Ridge Cap to each Ridge Cap Short with two #8 x 3/4" Metal Screws per side. (fig. 10.5, 10.6 and 10.7)

Fig. 10.5

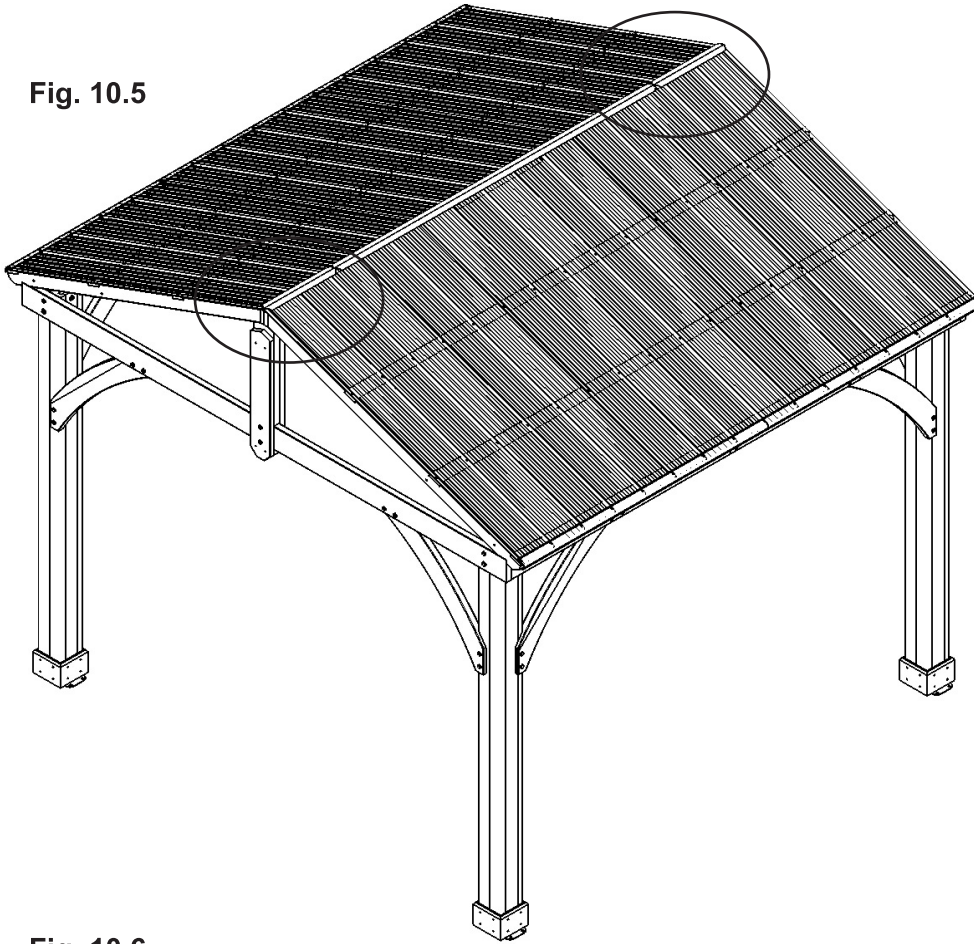


Fig. 10.6

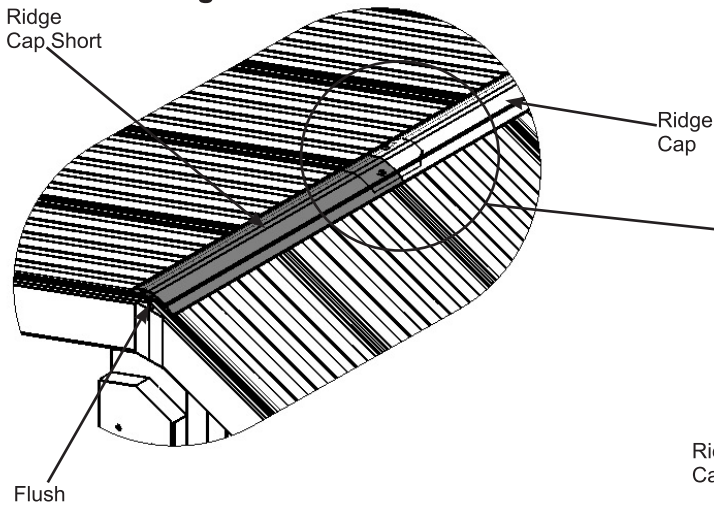
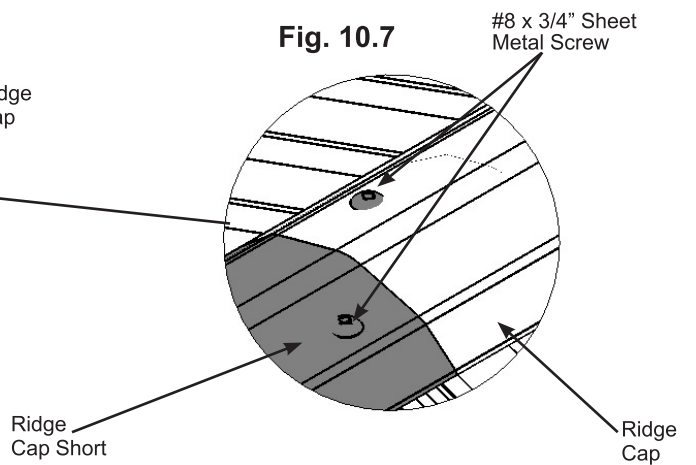


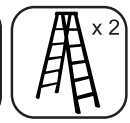
Fig. 10.7



Hardware

4 x #8 x 3/4" Sheet Metal Screw

Step 11: Attach Gable Ends



A: On one side of the assembly place two (471) Gable Ends against the outside (468) Rafters so the peaks meet in the centre and they are tight and flush to the top and edge of (477) Gable Upright Front. Bottom of (471) Gable End to bottom of (468) Rafter should measure 1" all along each (471) Gable End. Attach with ten #8 x 1-3/4" Wood Screws per (471) Gable End. (fig. 11.1, 11.2 and 11.3)

B: Repeat for the other side of the assembly.

Fig. 11.2

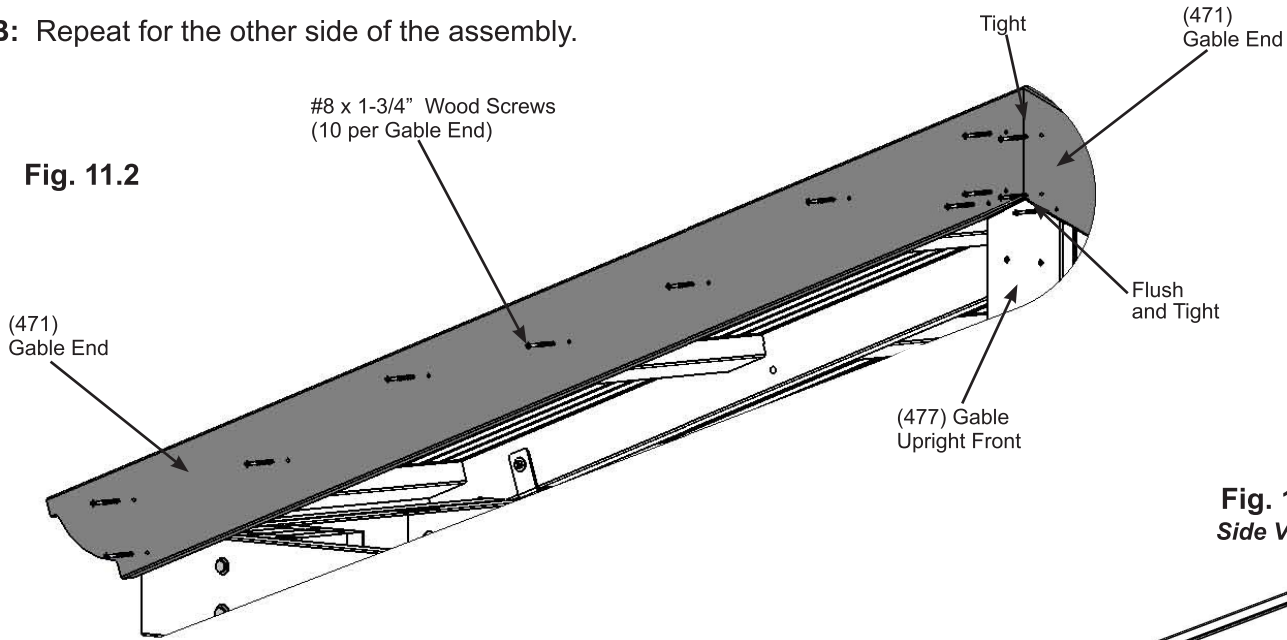


Fig. 11.3
Side View

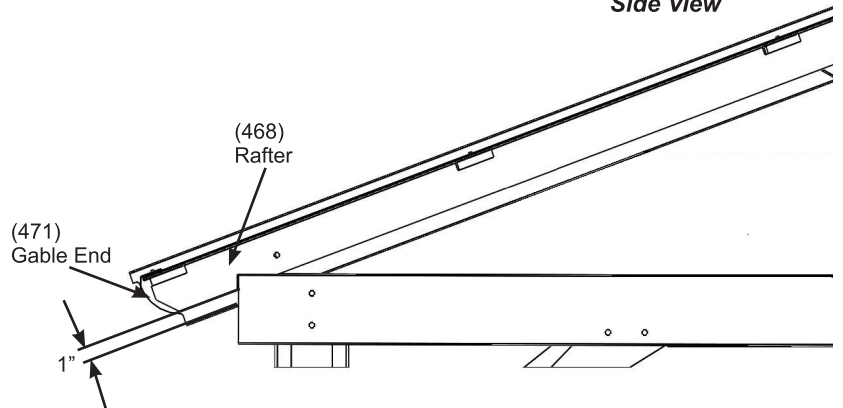
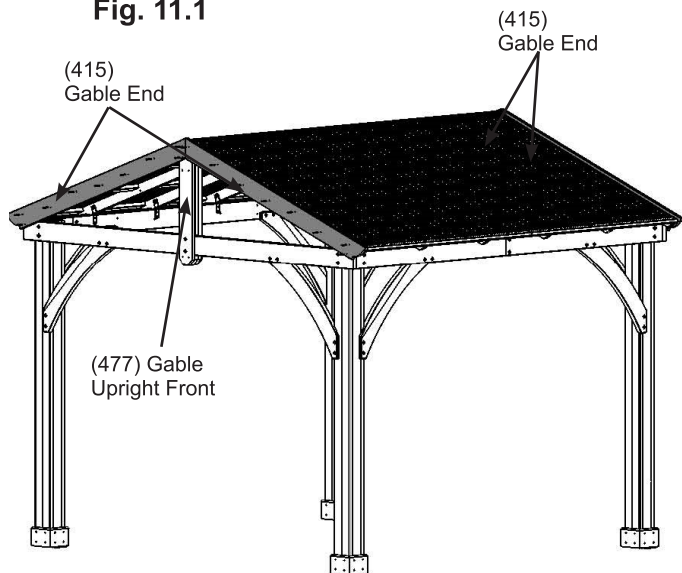


Fig. 11.1



Wood Parts

4 x (471) Gable End 25.4 x 139.7 x 2108.3 mm (1 x 5-1/2 x 83")

Hardware

40 x #8 x 1-3/4" Wood Screw

Step 12: Attach Gable Gussets



A: From inside the assembly place one (414) Gable Gusset on each side of (480) Gable Upright Back so it is resting on (471) Gable End, tight to (480) Gable Upright Back and tight and flush to (468) Rafter. (fig. 12.1 and 12.2)

B: Attach each (414) Gable Gusset to (471) Gable End with two #8 x 1-3/4" Wood Screws per gusset and to (480) Gable Upright Back with one #10 x 4" Wood Screw per gusset. (fig. 12.1 and 12.2)

C: Attach each (414) Gable Gusset to (468) Rafter with one #8 x 2-1/2" Wood Screw per gusset from the edge of the gusset into the rafter. (fig. 12.1 and 12.2)

Fig. 12.1

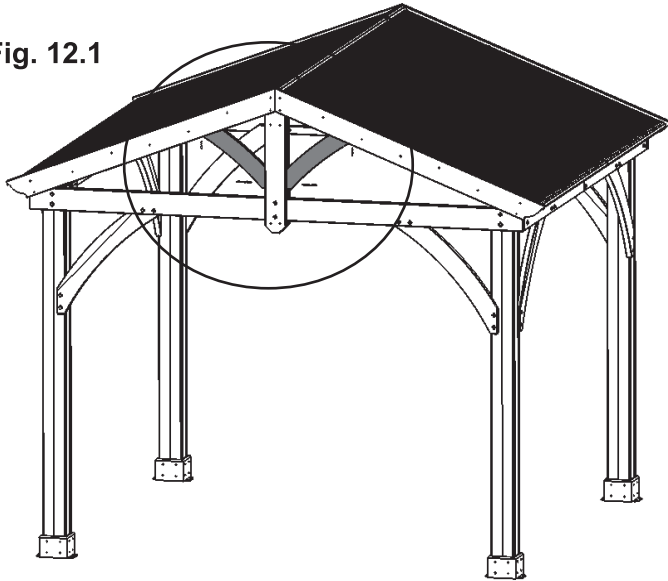
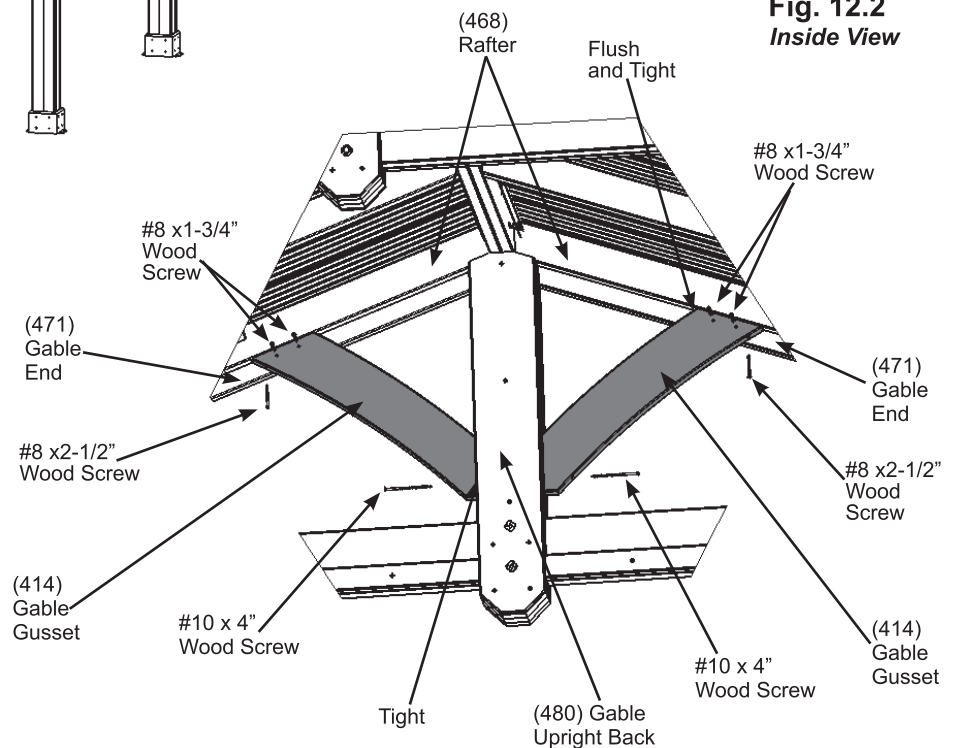


Fig. 12.2
Inside View



Wood Parts

4 x (414) Gable Gusset 31.8 x 133.4 x 580.1 mm (1-1/4 x 5-1/4 x 22-27/32")

Hardware

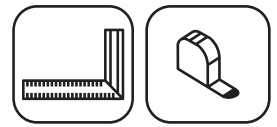
8 x #8 x 1-3/4" Wood Screw

4 x #8 x 2-1/2" Wood Screw

4 x #10 x 4" Wood Screw

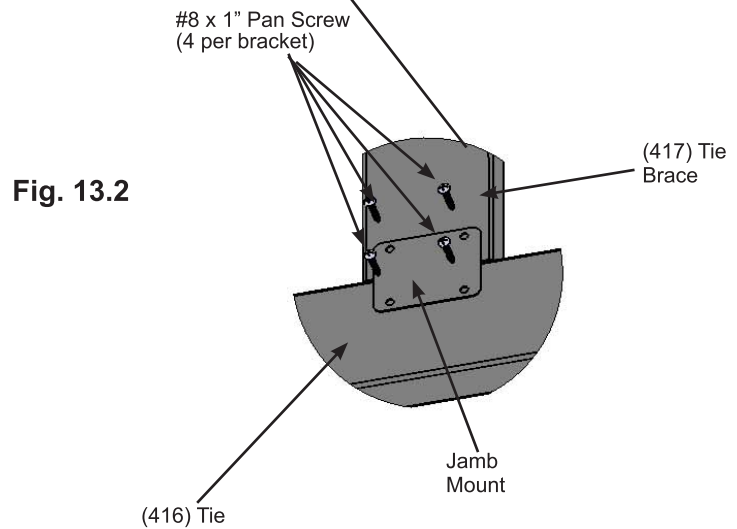
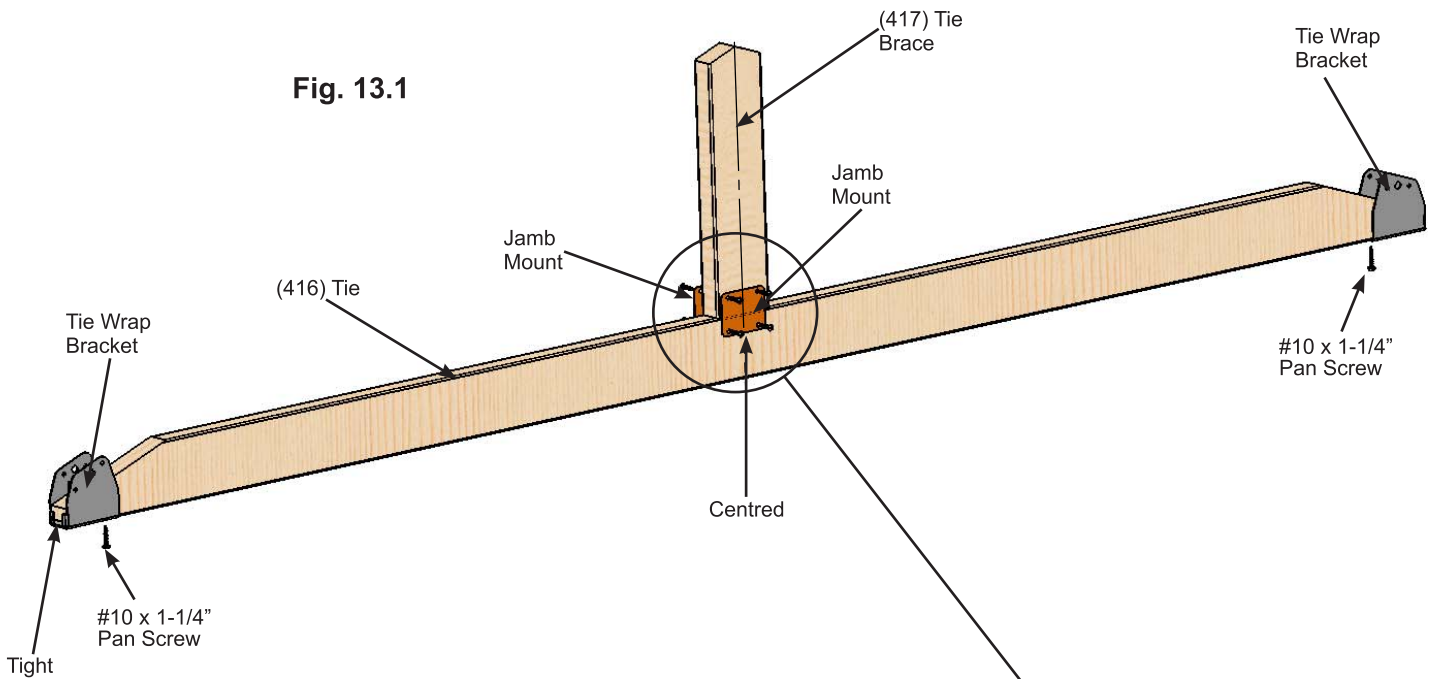
Step 13: Truss Assemblies

Part 1



A: Place one (417) Tie Brace centred, tight and square to the top of (416) Tie. Attach (416) Tie to (417) Tie Brace using two Jamb Mounts (one per side) with four #8 x 1" Pan Screws per mount. Repeat to complete five Tie Brace Assemblies. (fig. 13.1 and 13.2)

B: Attach one Tie Wrap Bracket to each end of each (416) Tie with one #10 x 1-1/4" Pan Screw per bracket using the inside holes. (416) Tie is tight to end of bracket. (fig. 13.1)



Wood Parts

5 x (416) Tie 31.8 x 88.9 x 2333.6 mm (1-1/4 x 3-1/2 x 91-7/8")
 5 x (417) Tie Brace 31.8 x 88.9 x 352.6 mm (1-1/4 x 3-1/2 x 13-7/8")

Components:

10 x Tie Wrap Bracket
 10 x Jamb Mount

Hardware

40 x #8 x 1" Pan Screw
 10 x #10 x 1-1/4" Pan Screw

Step 13: Truss Assemblies

Part 2



C: Attach one Tie Centre Bracket to the peak of four (468) Rafter, (467) Rafter Top, (469) Rafter Top Short with four #8 x 1" Pan Screws per bracket. Notice that three Tie Centre Brackets face one way and one faces the opposite side. It will only fit on this side. (fig. 13.3 and 13.4)

Fig. 13.3

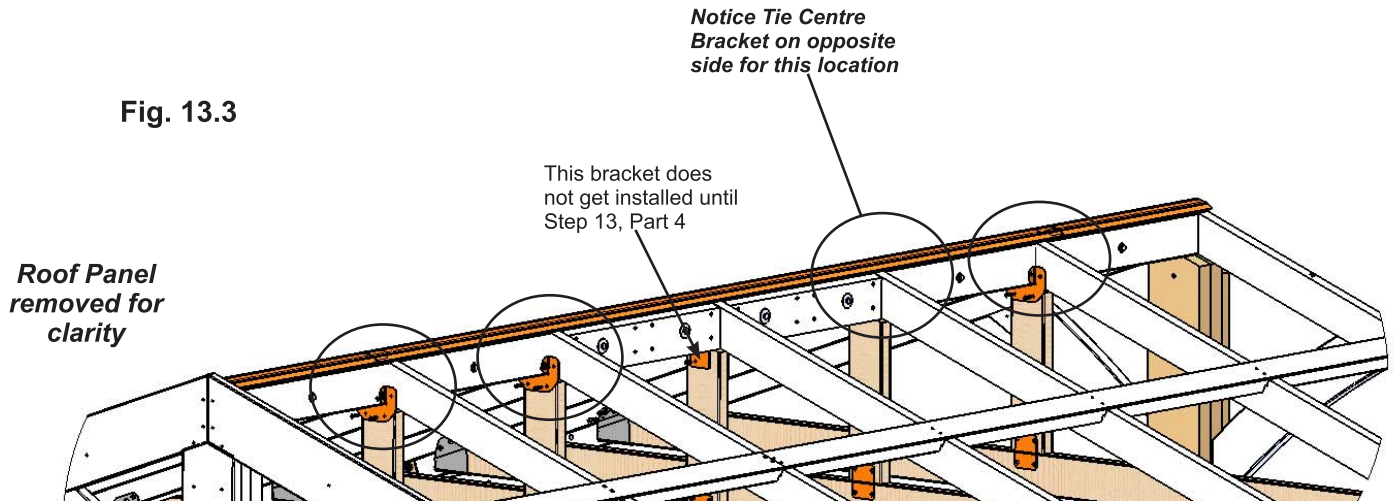
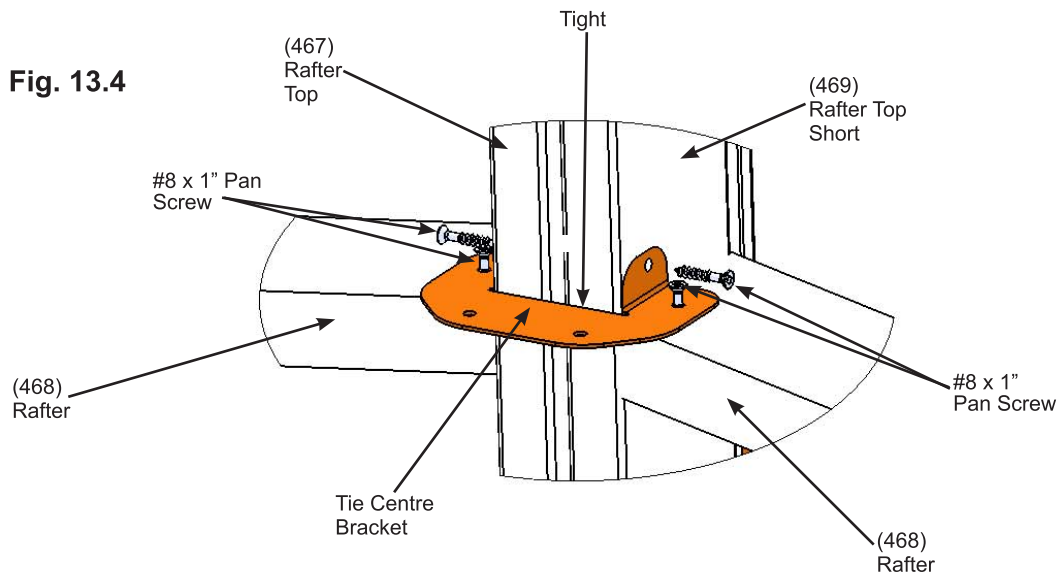


Fig. 13.4



Componets:

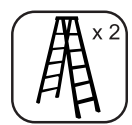
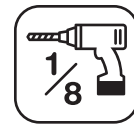
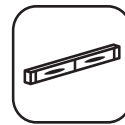
4 x Tie Centre Bracket

Hardware

16 x #8 x 1" Pan Screw

Step 13: Truss Assemblies

Part 3



D: With a helper place five (416) Tie with brackets tight against (468) Rafters so (417) Tie Braces fit into Tie Centre Brackets. Make sure (416) Ties are level then attach Tie Wrap Brackets to (468) Rafters with two #10 x 1-1/4" Pan Screws on both sides of each bracket and one #12 x 1-1/4" Pan Screw on one side of each bracket. (fig. 13.5, 13.6, 13.7 and 13.8)

E: Pre-drill with a 1/8" drill bit and secure Tie Wrap Brackets to (416) Tie and (468) Rafter with one #10 x 2-1/2" Pan Screw per bracket. (fig. 13.6, 13.7 and 13.8)

Fig. 13.5

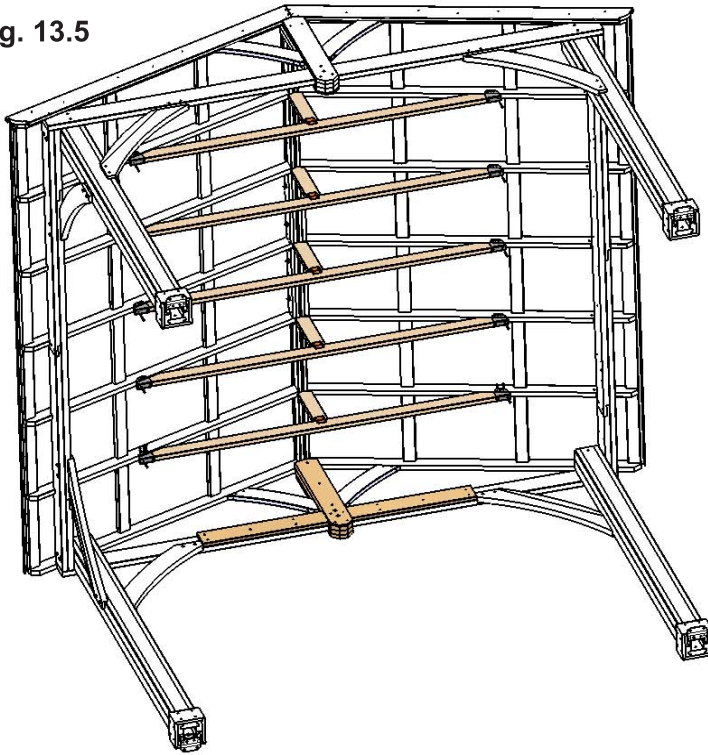


Fig. 13.8

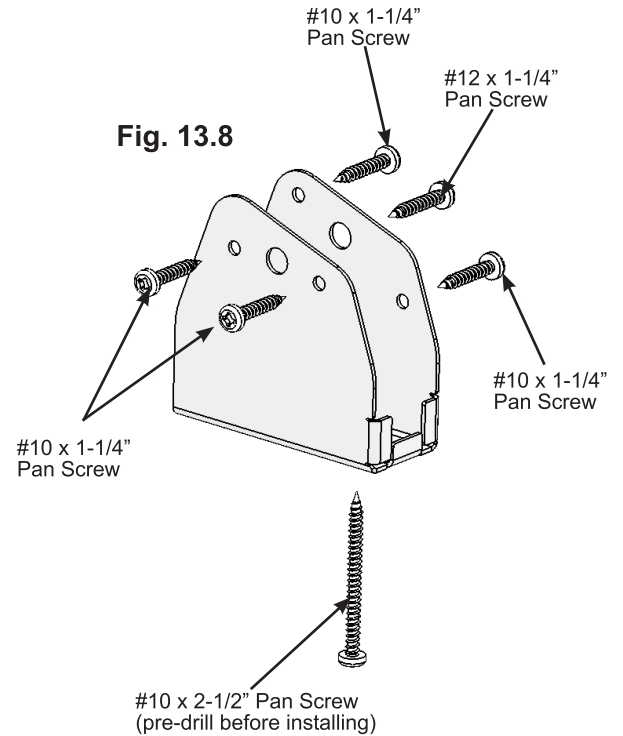


Fig. 13.6
Front Side

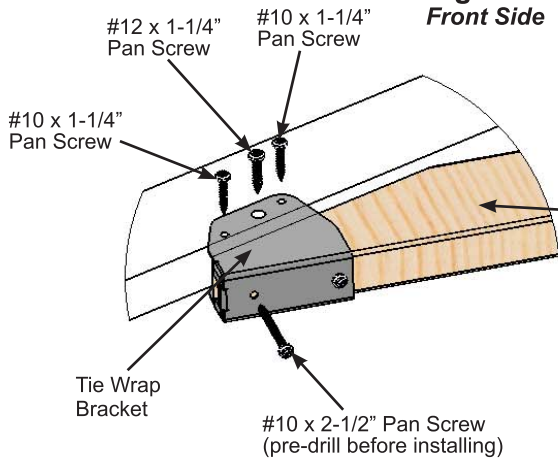
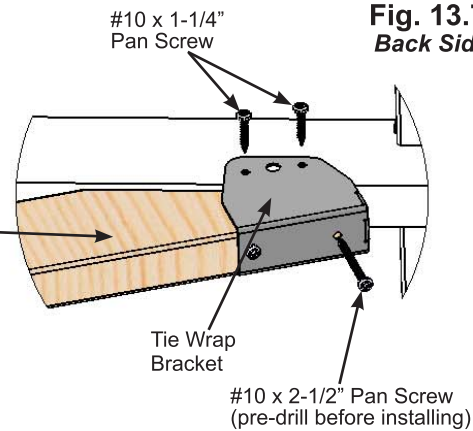


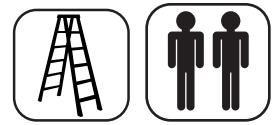
Fig. 13.7
Back Side



Hardware

- 40 x #10 x 1-1/4" Pan Screw
- 10 x #12 x 1-1/4" Pan Screw
- 10 x #10 x 2-1/2" Pan Screw

Step 13: Truss Assemblies Part 4



F: Secure four (417) Tie Braces to each Tie Centre Bracket with two #8 x 1" Pan Screws per bracket. (fig. 13.9 and 13.10)

G: Secure remaining (417) Tie Brace to (467) Rafter Top and (469) Rafter Top Short with one Corner Bracket using four #8 x 1" Pan Screws. (fig. 13.9 and 13.11)

Fig. 13.10

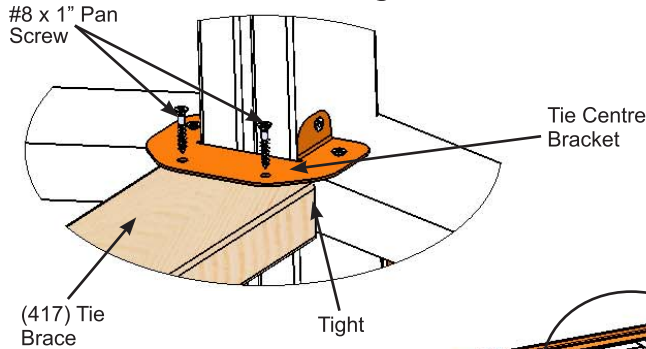


Fig. 13.9

Roof Panel removed for clarity

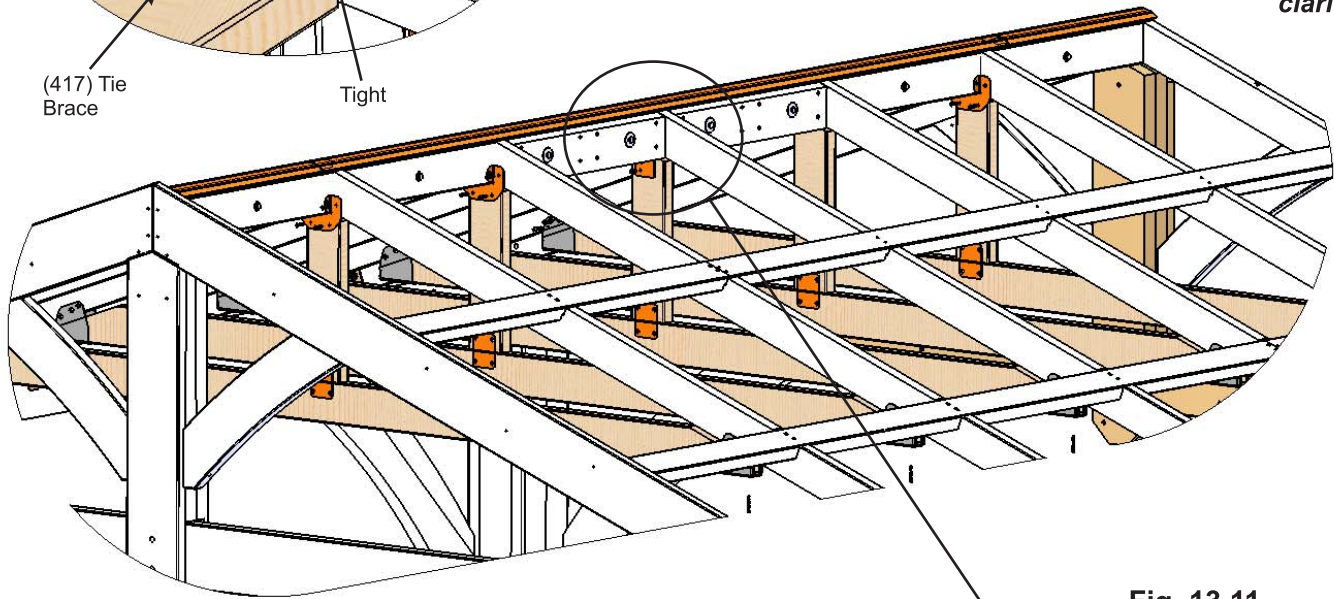
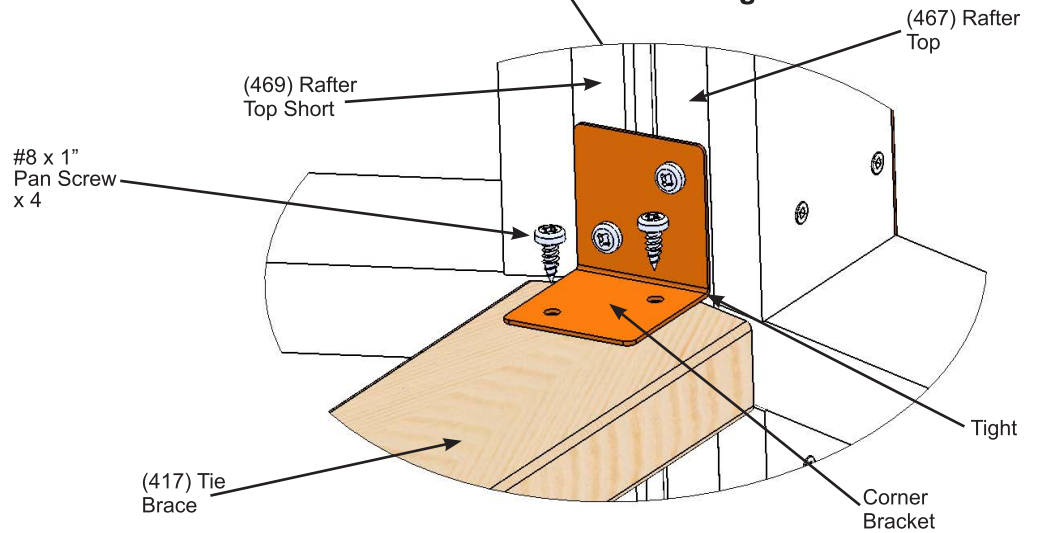


Fig. 13.11



Componets:

1 x Corner Bracket

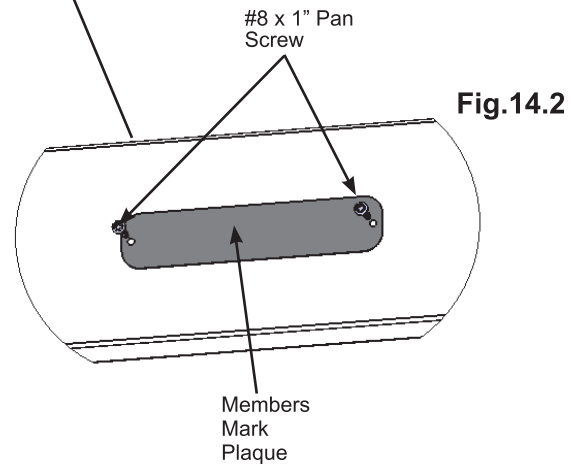
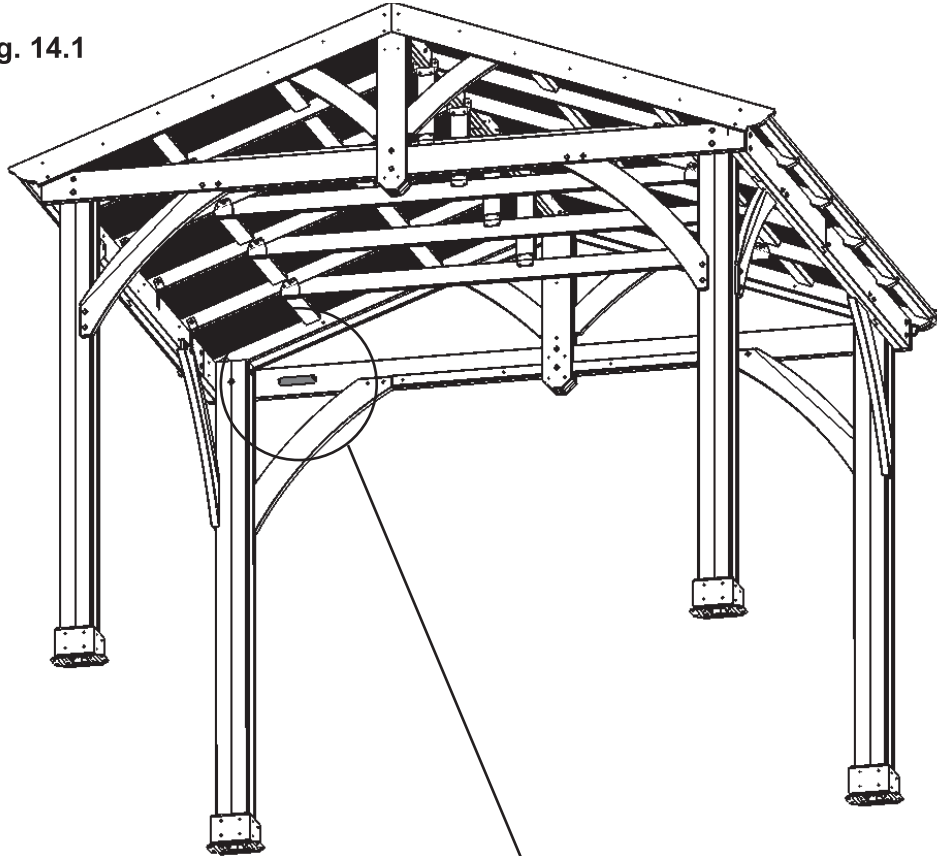
Hardware

12 x #8 x 1" Pan Screw

Step 14: Attach Plaque

A: Attach Members Mark Plaque to a prominent location on your Pavilion with two #8 x 1" Pan Screws. This provides warnings concerning safety and important contact information. A tracking number is provided to allow you to get critical information or order replacement parts for this specific model. (fig. 14.1 and 14.2)

Fig. 14.1



Hardware

2 x #8 x 1" Pan Screw

1 x Members Mark Plaque

BORROWED SPACES

Customer Registration Card - Tarjeta de Registro del Cliente - Carte d'inscription du client

First Name - Primer Nombre - Prénom	Initial - Inicial - Initiale	Last Name - Apellido - Nom de famille

Street - Calle - Rue	PO Box - Casilla postal - Boîte postale	Apt. No. - App.

City - Ciudad - Ville	State/Province - Estado/Provincia - État/Province

ZIP/Postal Code - Código Postal - ZIP/Code postal	Country - País - Pays

E-mail Address - Dirección de E-mail - Adresse courriel	Telephone Number - No. de Teléfono - N° de téléphone

Model Name - Nombre del Modelo - Nom du modèle	Model Number (from front cover) - Número de Modelo (de la portada) - N° du modèle (page de couverture)

Date of Purchase - Fecha de Compra - Date d'achat (mm/dd/yyyy) (mm/dd/aaaa) (mm/jj/aaaa)	Place of Purchase - Comprado a - Lieu d'achat

Comments - Comentarios - Commentaires:

Mail To - Enviar por Correo a - Envoyer par courrier à:

Borrowed Spaces

375 Sligo Road West, PO Box 10

Mount Forest, Ontario, Canada, N0G 2L0

Attention: Consumer Relations

Atención a: Servicio de Atención al Cliente

À l'attention de: Service à la clientèle

Online Registration - Registro online - Enregistrement en ligne:

<http://borrowedspaces.com/warranty.php>

Borrowed Spaces would like to say "Thank you" for your time and feedback.

Borrowed Spaces quiere "Agradecerle" por su tiempo y su opinión.

Borrowed Spaces aimerait vous remercier d'avoir pris le temps de répondre au sondage.