

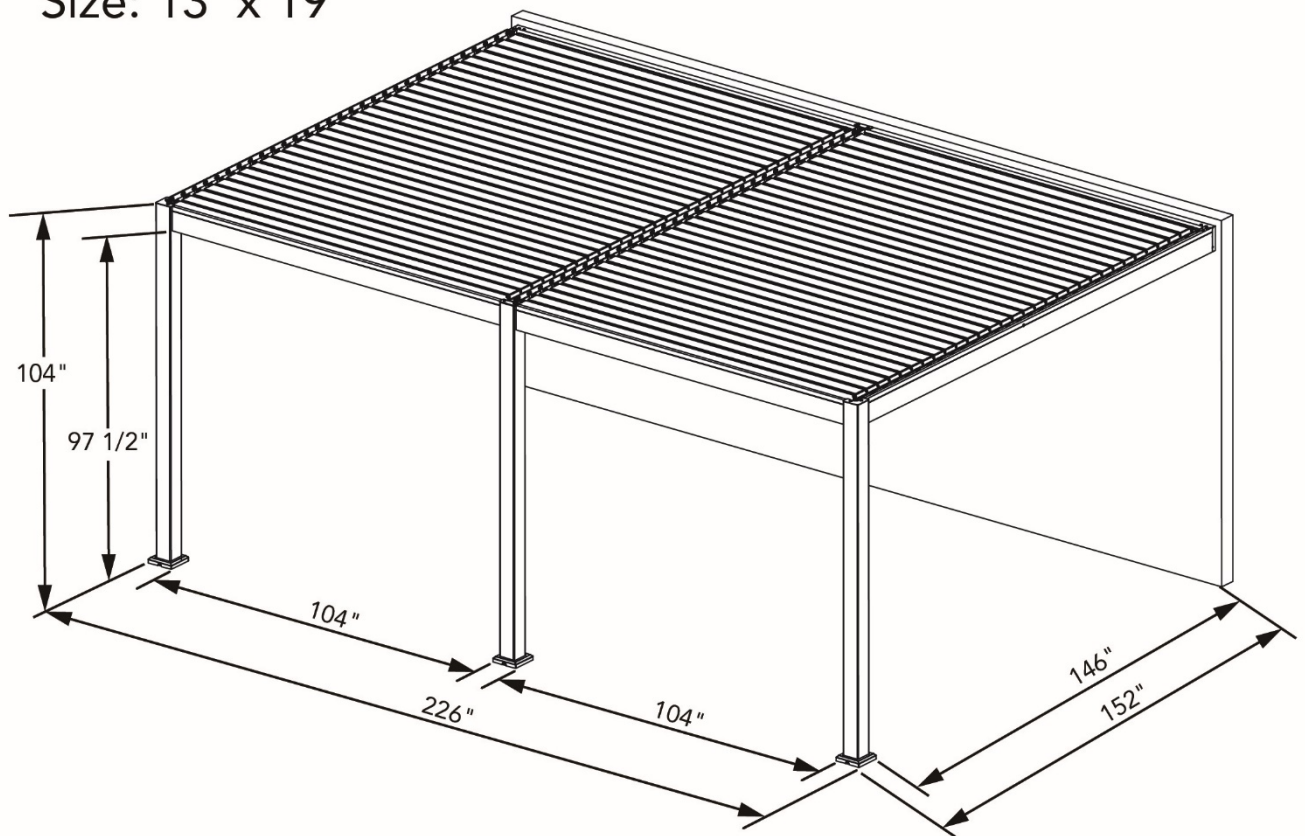
# User Instructions

**Villa Pergola motorized operation**

**Size: 13'x19' Double Bay**

**( 400 x 600cm )**

Size: 13' x 19'



<b>Tools and man force .....</b>	<b>1-2</b>
<b>Parts List.....</b>	<b>2-5</b>
<b>Product Description.....</b>	<b>6</b>
<b>Safety Instruction.....</b>	<b>6-7</b>
<b>Mounting.....</b>	<b>8-17</b>
<b>Dismounting.....</b>	<b>18</b>
<b>Storage.....</b>	<b>19</b>
<b>Disposal.....</b>	<b>19</b>



**Attention:**

**Read this instruction manual carefully and completely before mounting and usage.**

**Keep this manual for future reference.**

Dear Customer,

Congratulations and welcome to our Villa Pergola family. To enjoy your Villa Pergola for its lifetime and for you and other's safety, please follow the assembly instructions.

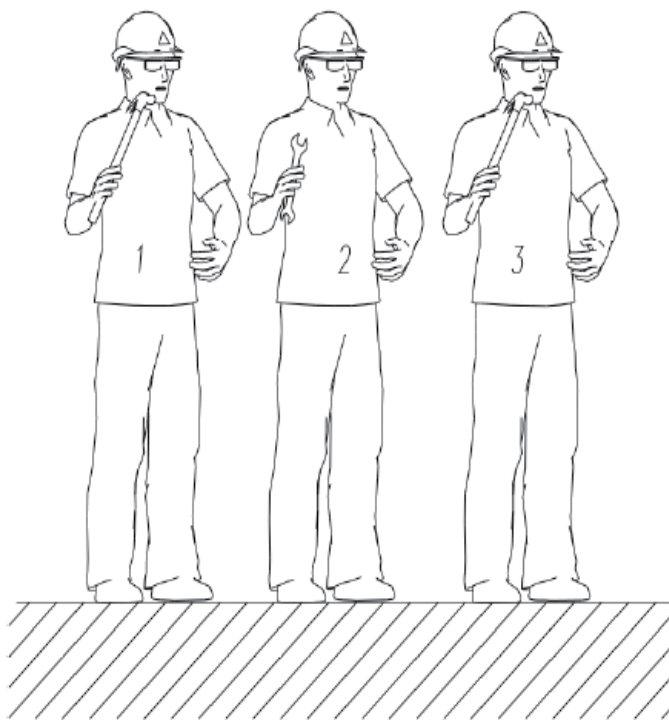
Before you start the assembly process and using the Pergola, we suggest you are best to get familiar with this product. Make sure all parts listed up in below packing lists are delivered and intact. If you find that there are parts missing or damaged please do not install the pergola but contact us immediately. Do not start the assembly process if parts are missing or defective.







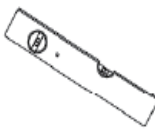
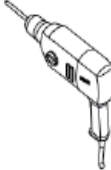
## Tools and man force

Recommended: 2 or 3 people

Additional tools :

- 1.Ladder
2. M10/13 open wrench supplied
- 3.Rubber mallet
- 4.Tape measure
5. 5mm hexagon wrench supplied
- 6.Pencil
- 7.Spirit level
- 8.Electric drill




















## Parts List

Please check all parts against the parts list before commencing construction of pergola.

### SIZE: 13'x19' or 400X600CM (double bay) PARTS LIST

(A1)			x1
(A2)			x1
(B1)			x1
(B2)			x1
(C1)			x1
(C2)			x1
(C3)			x1
(D1)			x1
(D2)			x1
(D3)			x1
(E1)			x2
(E2)			x2
(F1)			x2
(F2)			x2

(G)			x58
(H)			x2
(I)			x2
(J)			x4

①	 x 12	⑩	 x 2
②	 x 2	⑪	 x 6
③	 x 3	⑫	 x 6
④	 x 2	⑬	 x 4
⑤	 x 2	⑭	 x 2
⑥	 x 148	⑮	 x 12
⑦	 x124	⑯	 x 12
⑧	 x 124	⑰	 x 3
⑨	 x 2		

#### Aluminum profile parts list:

(A1) Beam	(A2 ) Beam
(B1) Beam	(B2) Beam
(C1) Beam	(C2) Beam
(C3) Middle Beam	(D1) Post + post connector
(D2) Post + post connector	(D3) Middle Post + post connector
(E1) Gutter	(E2) Gutter
(F1) Gutter	(F2) Gutter
(G) Common Louver	(H) Steering Louver
(I) Strenthen Louver	(J) Steering profile

#### Hardware and other parts:

② M8x20 countersunk screw	②50 to 40 connector	③Base plate
④Upright cover	⑤M10 screw cap	⑥M8x20 Hexagon bolt
⑦Plastic washer DAP25	⑦Locking nut	⑨Motor with motor bracket
⑩Gutter connector	⑪wall bracket	⑫Slider
⑬ L-Bracket	⑭ Cover plate	⑮ M8X100 Internal anchor
⑯ M8X100 Anchor	⑰ Base plate caps	

## Product Description

Make the most of your outdoor living area with your pergola. Relax and enjoy the outdoors while being protected from sun. The coated aluminum frame pergola is perfect for shading your garden, deck, courtyard and swimming pool.

## Important Safety Instructions

**Warning: For the safety of you and other persons it is important to follow below instructions and obey warnings.**

### Symbol explanation



This warning triangle calls attention to hazards that that can lead to death or to severe injuries or which are important for the functioning of the Pergola.



This sign identifies important notes.

### Safety instructions



**To install this pergola technical knowledge is necessary.** Do not mount this pergola yourself but contact a professional workman for help if

- ◆ you are unsure if the pergola can be mounted on the place you chose for installation.
- ◆ you do not understand the instruction manual or parts of it.
- ◆ you do not have necessary tools available.
- ◆ you do not have necessary technical knowledge



**A minimum of three healthy adults are required to move and install the pergola** as the product is big and heavy. Do not try to install the pergola alone. If the pergola falls, it could cause serious injuries and damages! Contact an authorized assembler for help.



**Do not install the pergola when you find damage parts are that parts are missing.** Contact your dealer.



**Keep children and pets out of the working area during assembly and adjustments.**



**This product and its fixing parts are only suitable for installation on a plain cement wall or stable brickwork. If the wall/brickwork shows cracks you have to consult a professional.**



**Nobody is allowed to change the products' design and structure without the permission of manufacture or authorized deputy.**



Please make sure that your hands are clean at the time of the assembly; otherwise you may soil frame.



**Nobody is allowed to climb onto the Pergola. Hanging anything on the Pergola is forbidden.**

Sheeting was used to protect the paint. This must be removed afterwards.

This structure is a non-permanent structure and the warranty does not cover damage incurred under extreme weather conditions including heavy rain, high winds or if exposed to high heat from heaters or BBQs.







Safety precautions should always be followed when assembling and using this product to reduce the risk of personal injury and damage to equipment. Please read all instructions before assembly and use. Never leave children unattended around/under this pergola. Do not attempt to assemble or use the pergola in moderate or heavy wind conditions. Always **keep the pergola louver open** and secure it during heavy winds or extreme weather conditions to avoid damage to the pergola or personal injury.

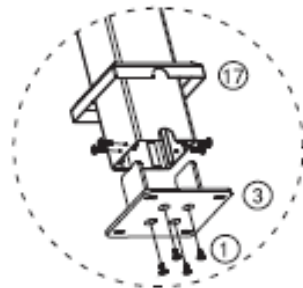
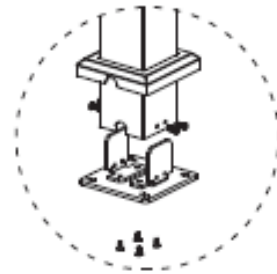
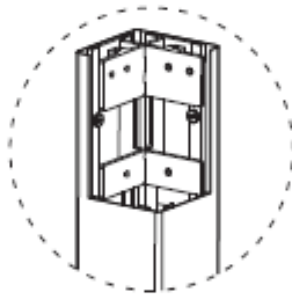
**Step 1**

Attach base plate ③x3 to the bottom of posts (D1 /D2/D3),use bolts ① x 12 to attach with hex key or electric drill.

D1 ,D2, D3 posts should be installed diagonally as below.

Please make sure all posts on the same horizontal plane.



① x 6	
③ x 3	
D1 x 1	
D2 x 1	
D3 x 1	
17 x 3	




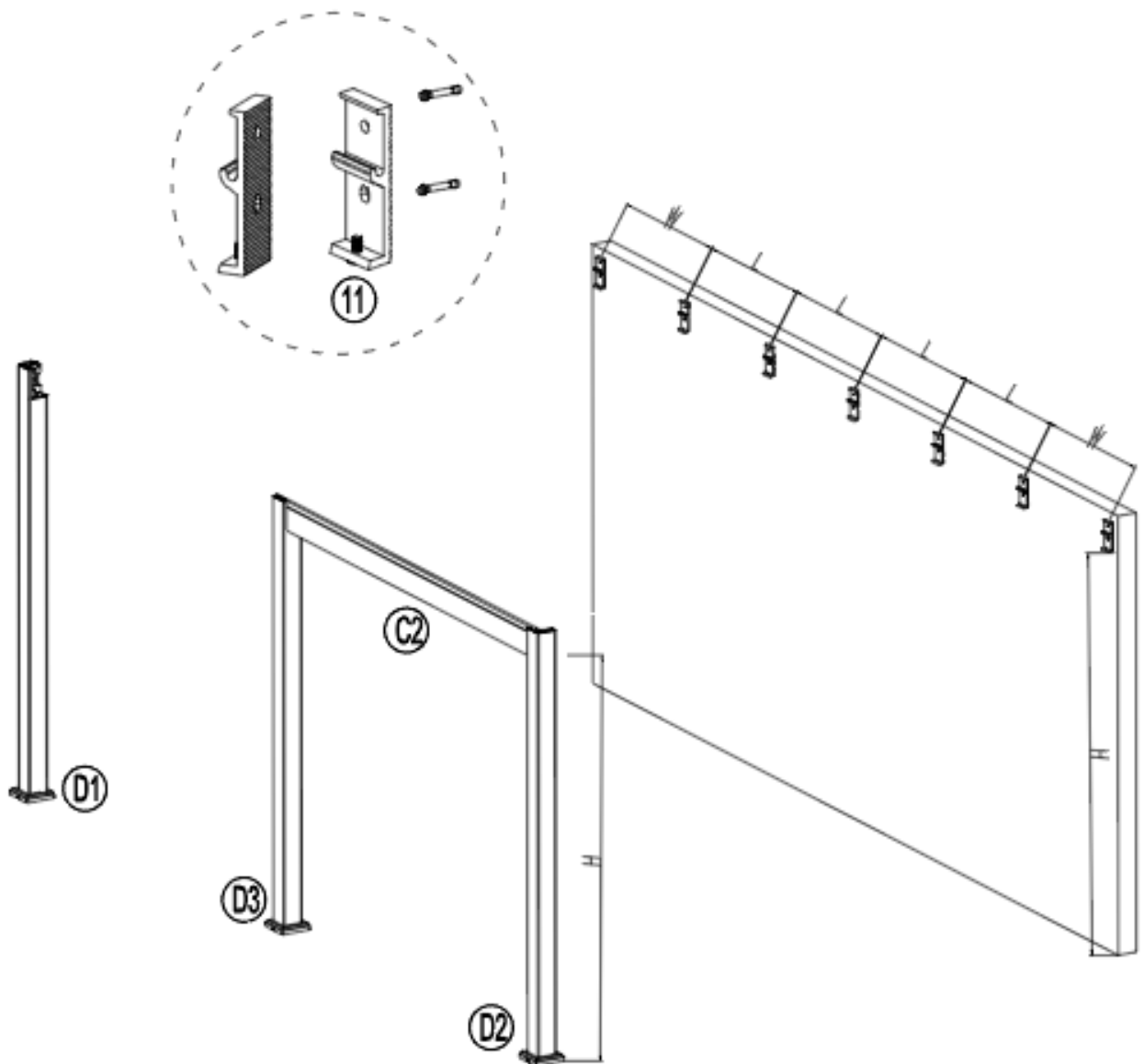


## Step 2

According the height of (C2) to measure the height of (15), use anchor to fasten

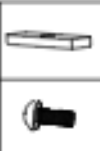


(11) x 6	
(15) x 12	

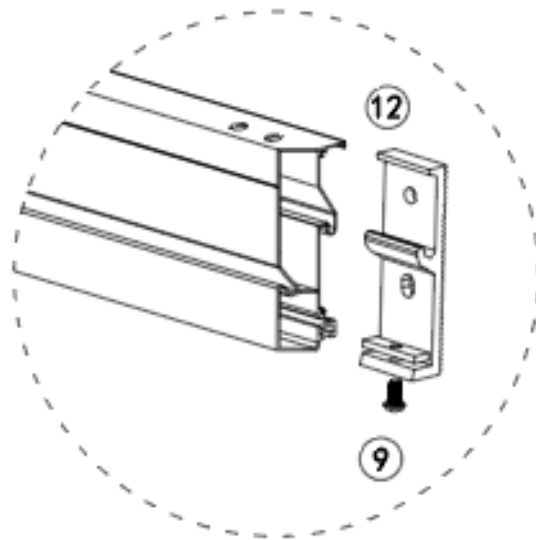
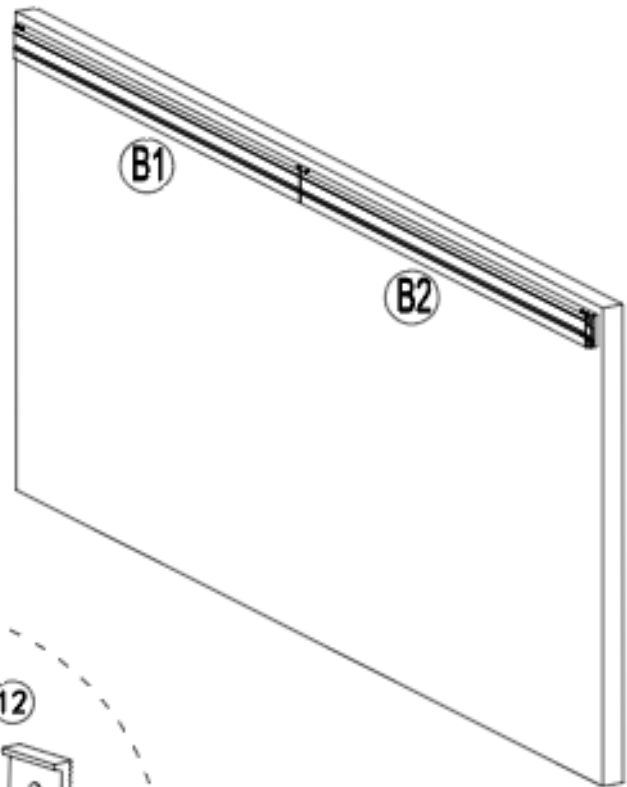
L=1120			
5754X3858	5660	6	W=1120



### Step3





Use bolts ⑫x6 to fasten beam ① & beam ②.

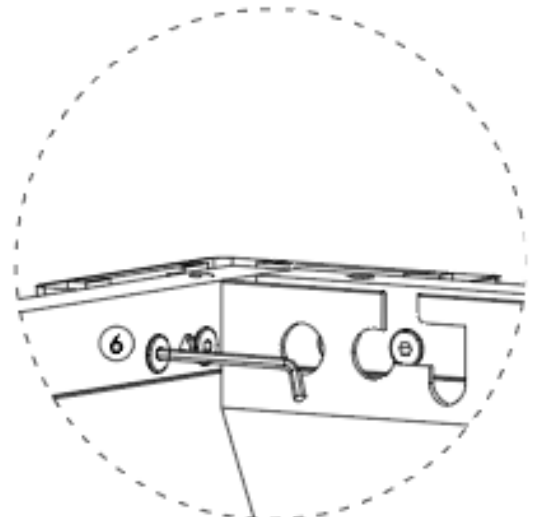
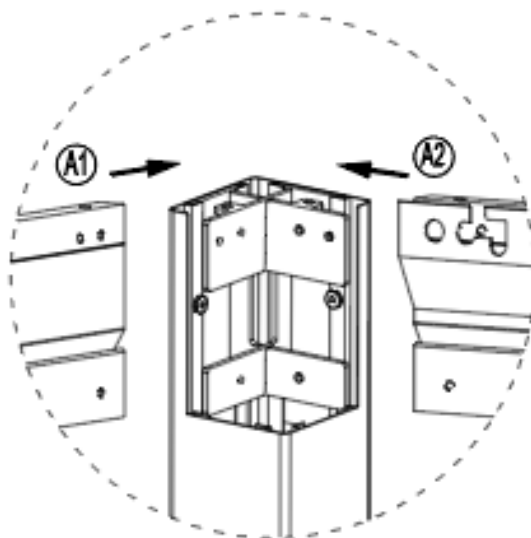
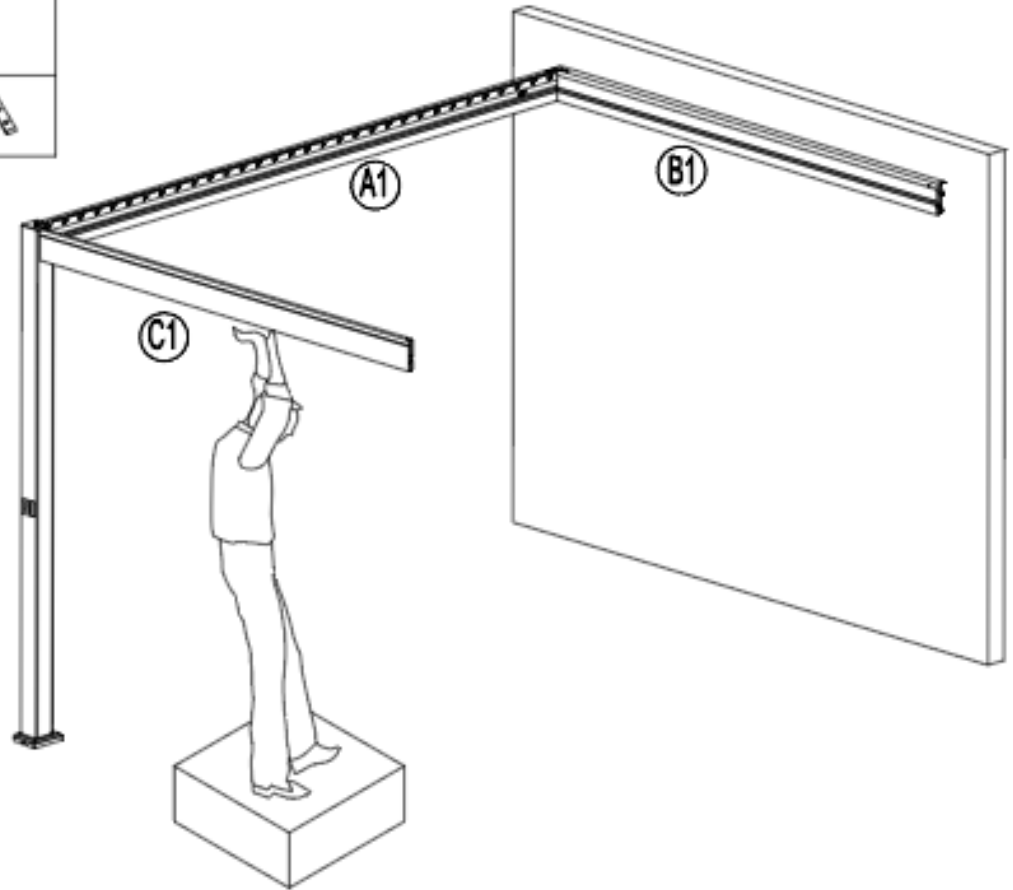
⑫ x6	
① x1	
② x1	



### Step 4

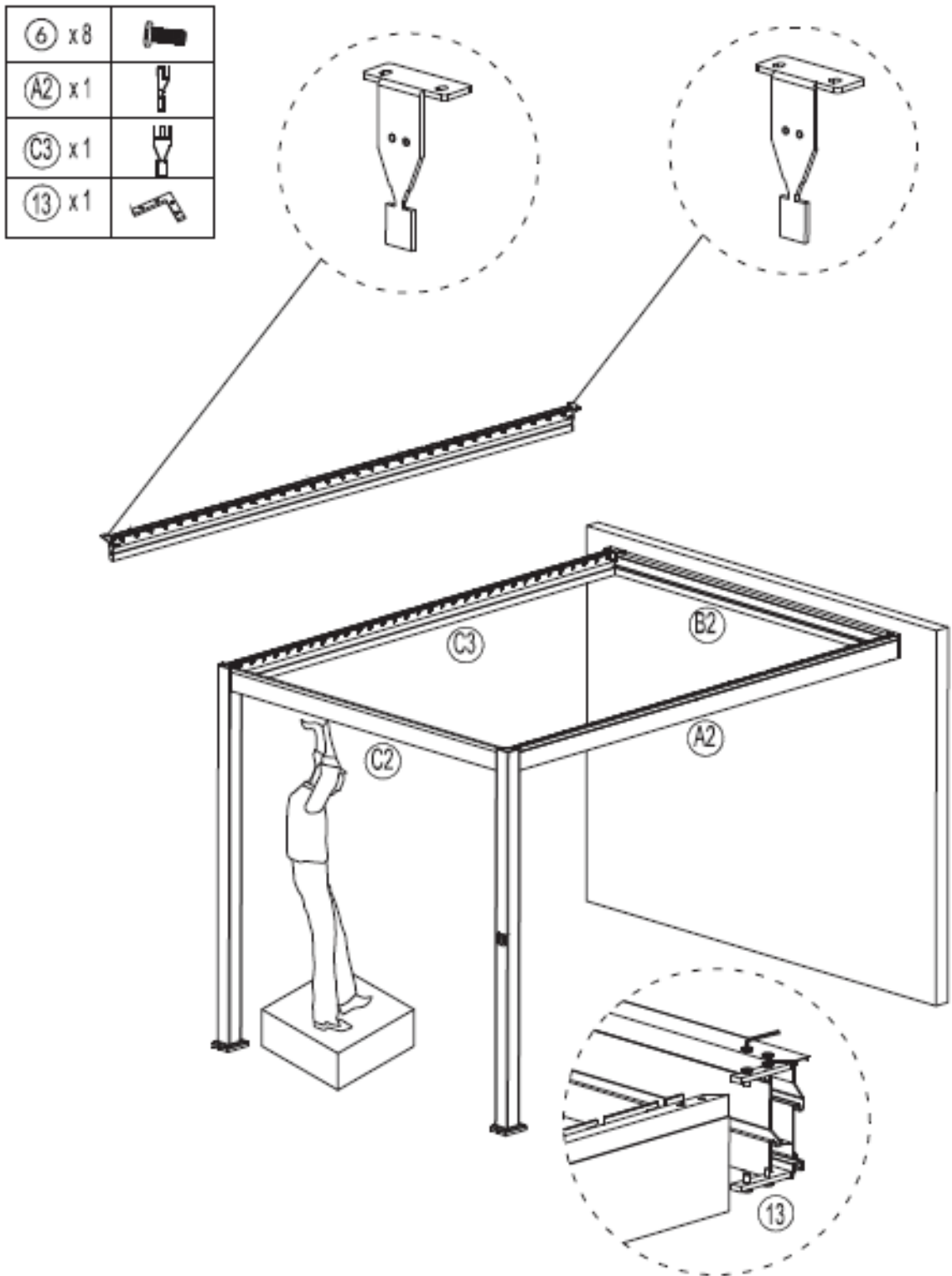
Insert the (A1) / (C1) into (D1) , then connect (B1) with (13) ,fasten the screws.

(6) x8	
(A1) x1	
(C1) x1	
(13) x1	



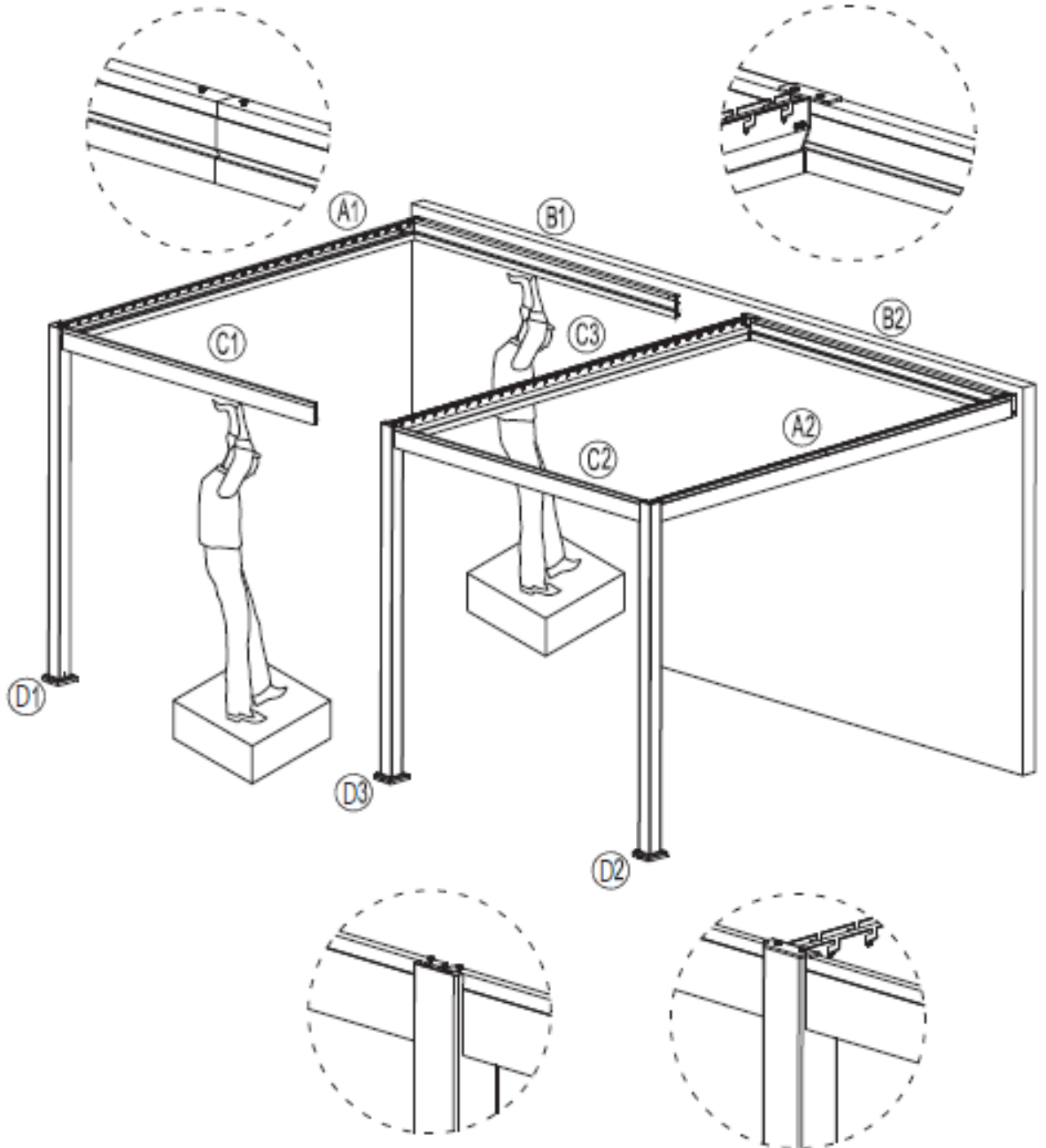
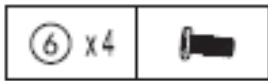
## Step 5

Connect (A2)/(B2) with (13), fasten the screws, and insert the middle beam (C3)  
Lock the screws





### Step 6

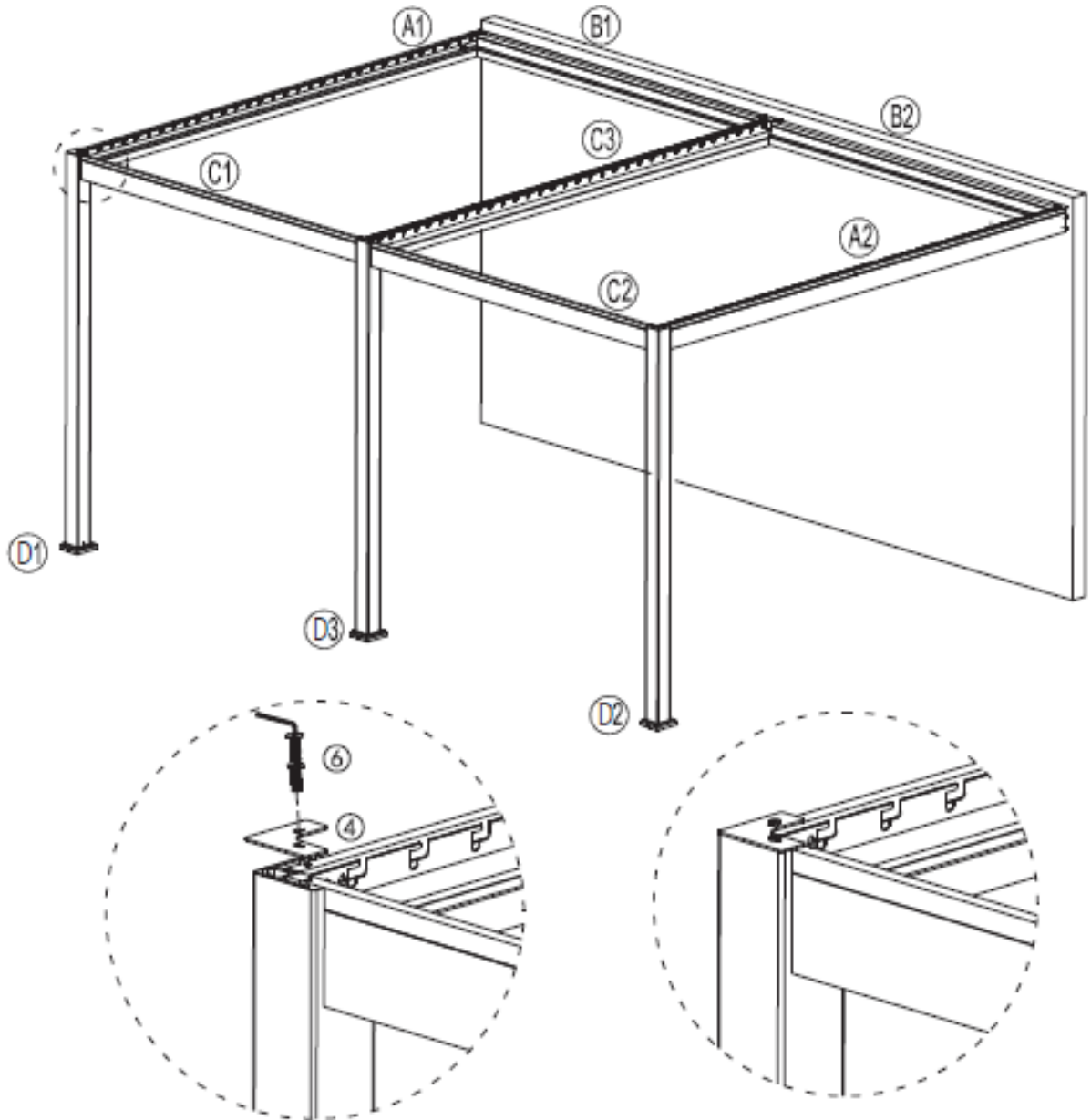
Connect the (B1) and (B2) , insert (C1) into (D3) , fasten the screws.



## Step 7



Cover the post with ④x2, fasten the screws.

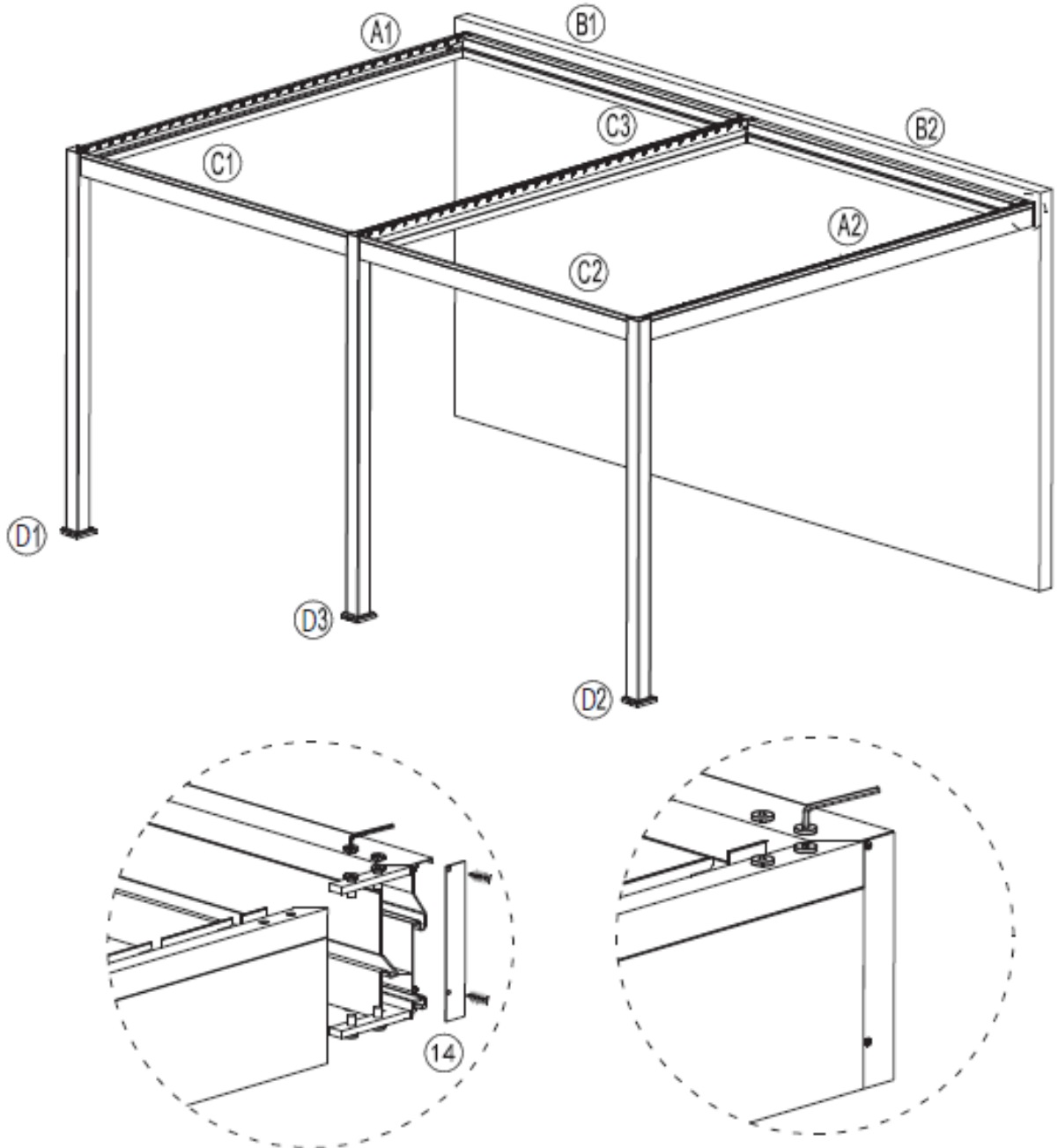
⑥ x4	
④ x2	



## Step 8


Cover the beam on both sides with ⑭, fasten the screws

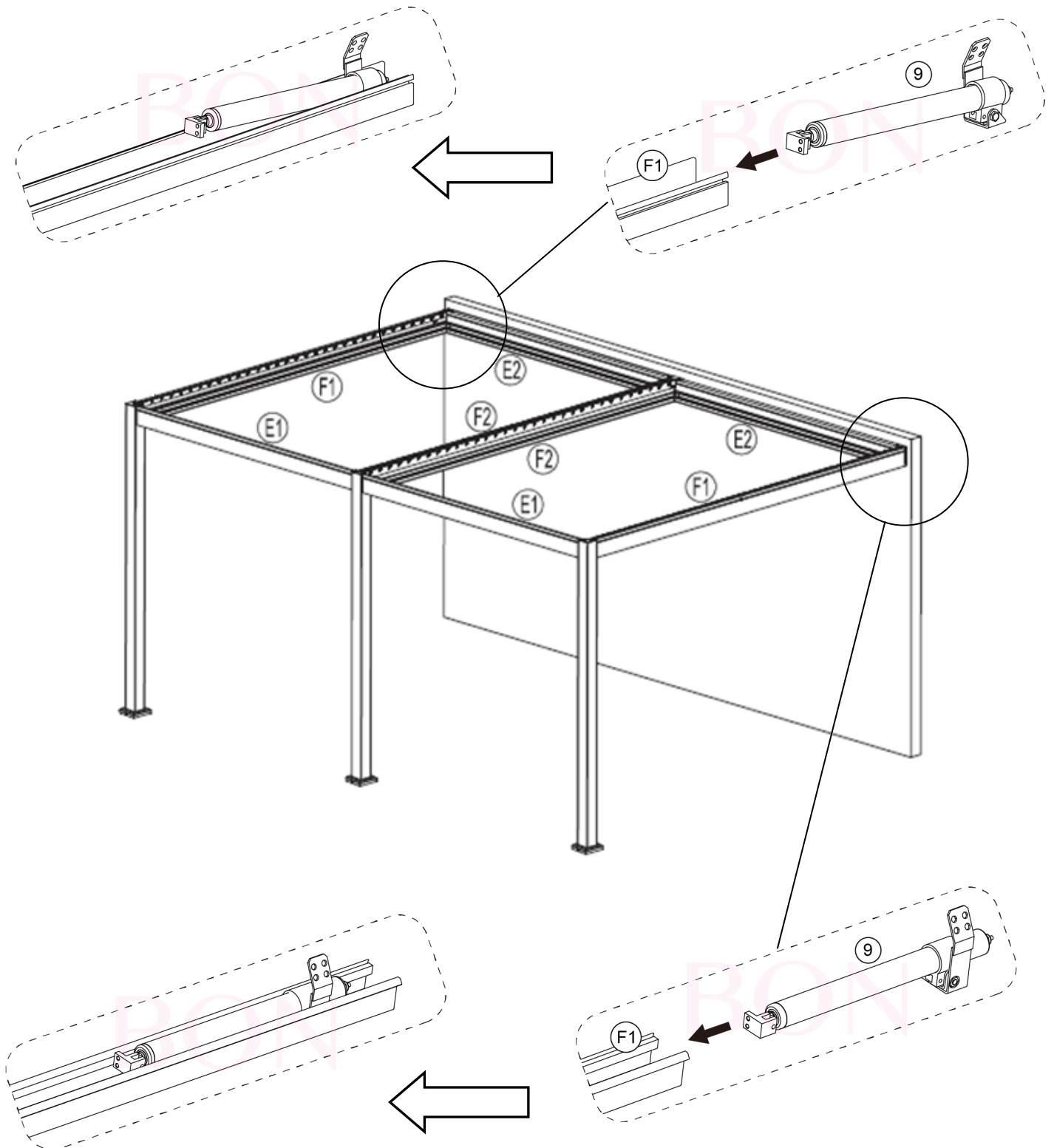
⑭ x 2		
⑭ x 4		ST4,2X25



## Step 9

Placed all gutter (E1), (E2), (F1), (F2) in proper position as picture

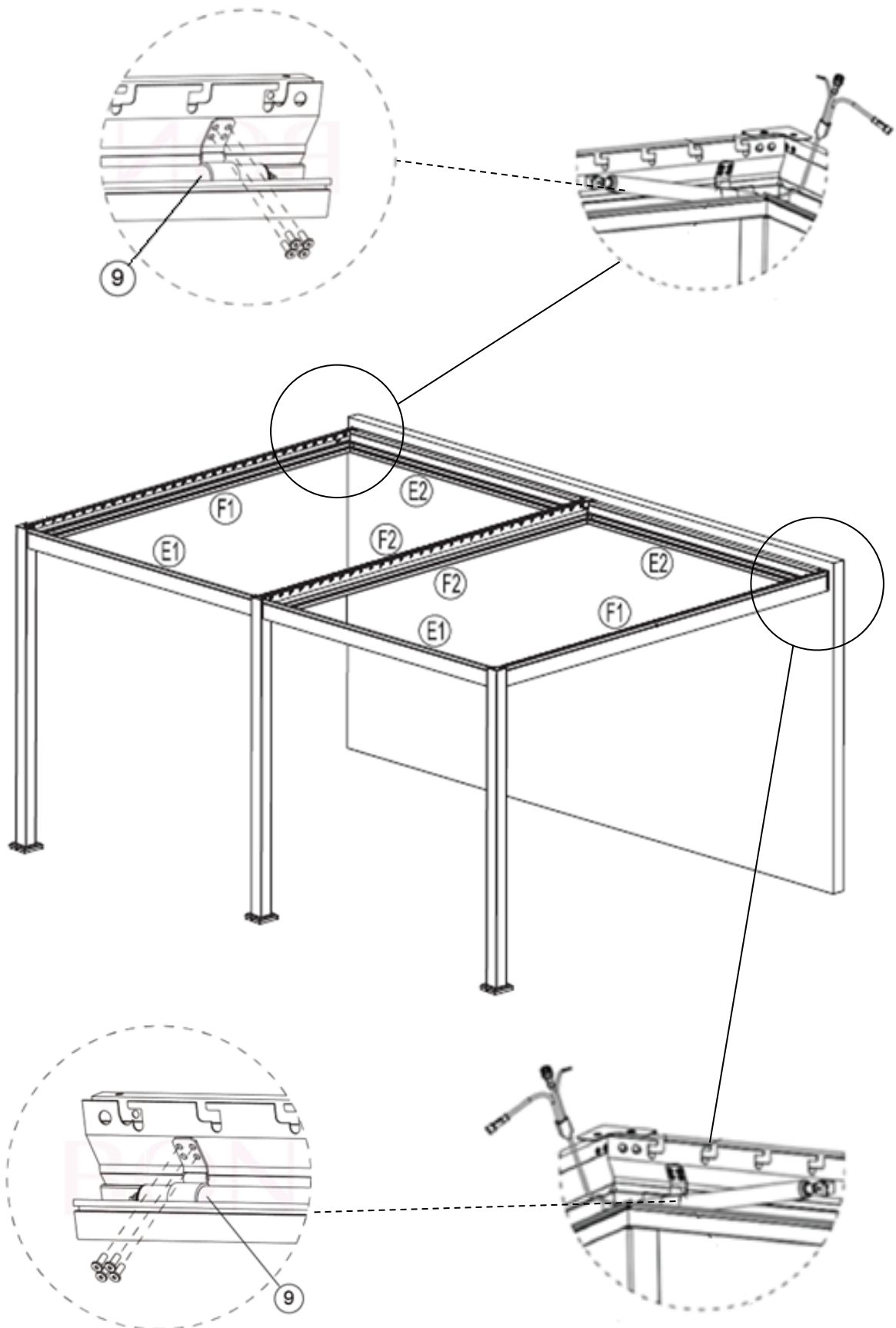
(E1) x2	(E2) x2	
(F1) x2	(F2) x2	







## Step 10

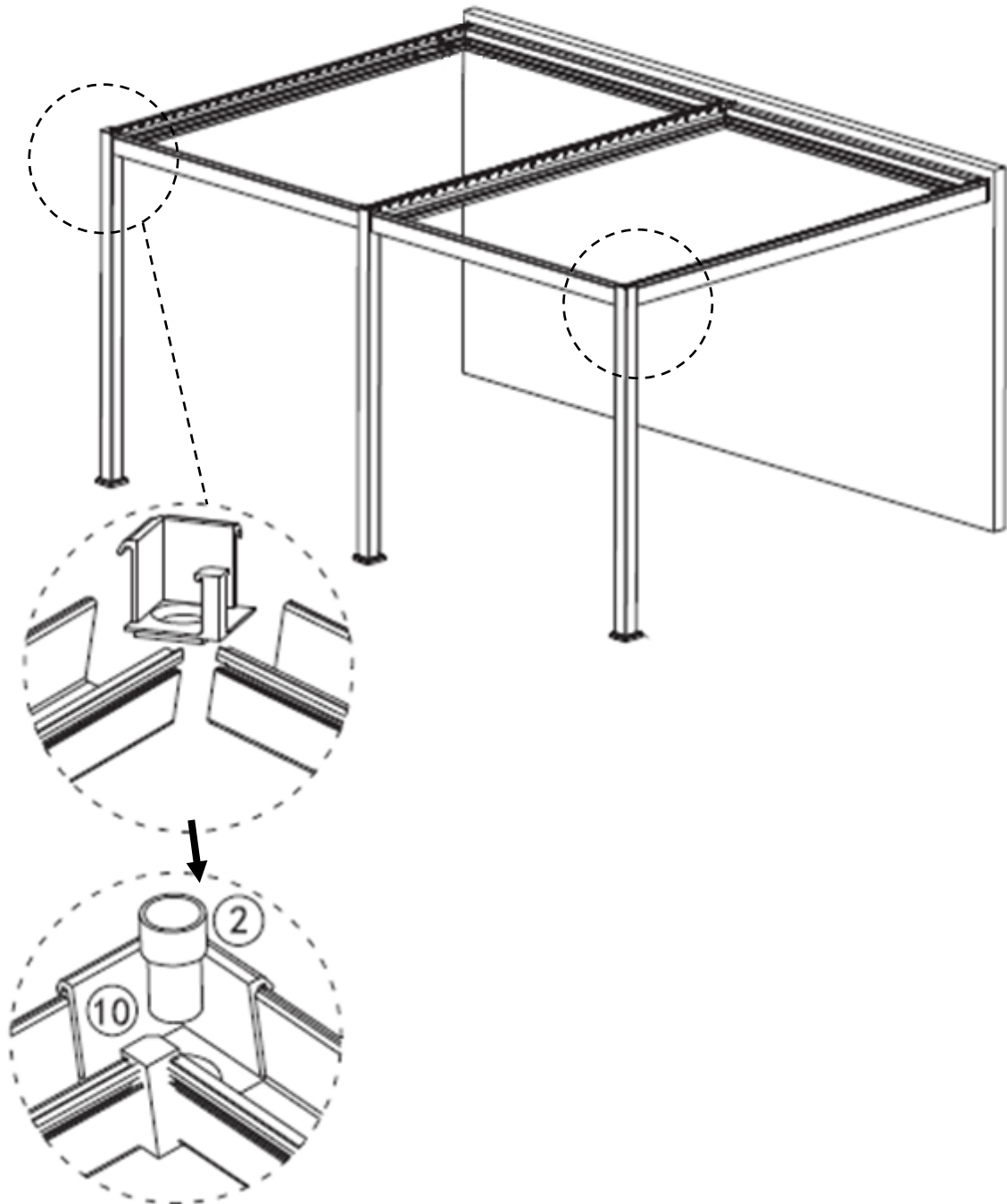
Fasten motor ⑨x2 with its screws as shown below.



## Step 1

1. Fasten ⑩x2 gutter connector
2. If motor wire is running downward through the post, use ② to connect with ⑩ as shown below to not allow water drain through this post.

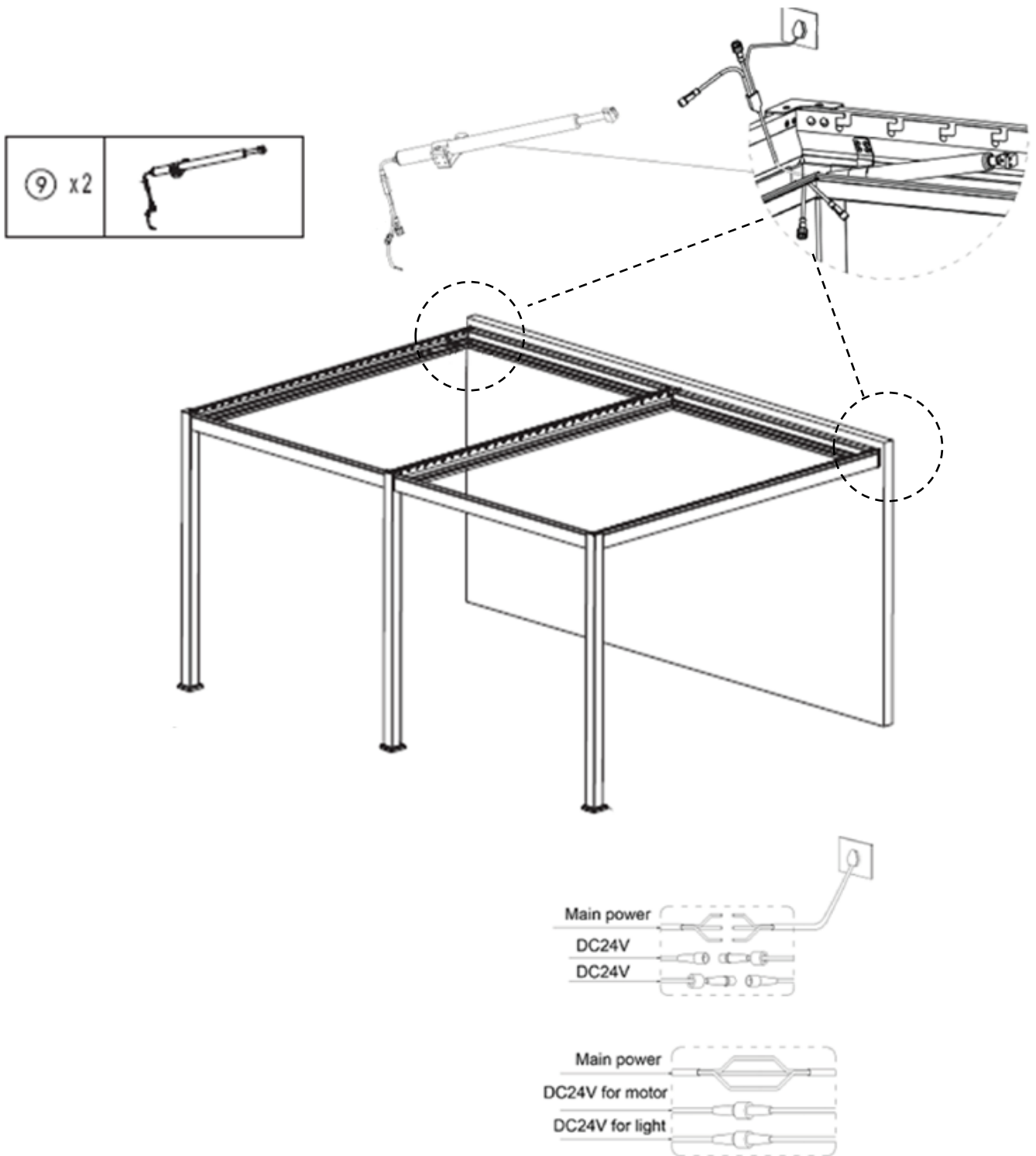
② x2	
⑩ x2	



## Step 12

Connect the female and male plugs for the LED lighting (DC24V to DC24V) and motor (DC24V to DC24V) and plug the power cable into local socket.

\*\*\*Note: You can test your motor at this stage. Plug in and use its remote.




## Step 13

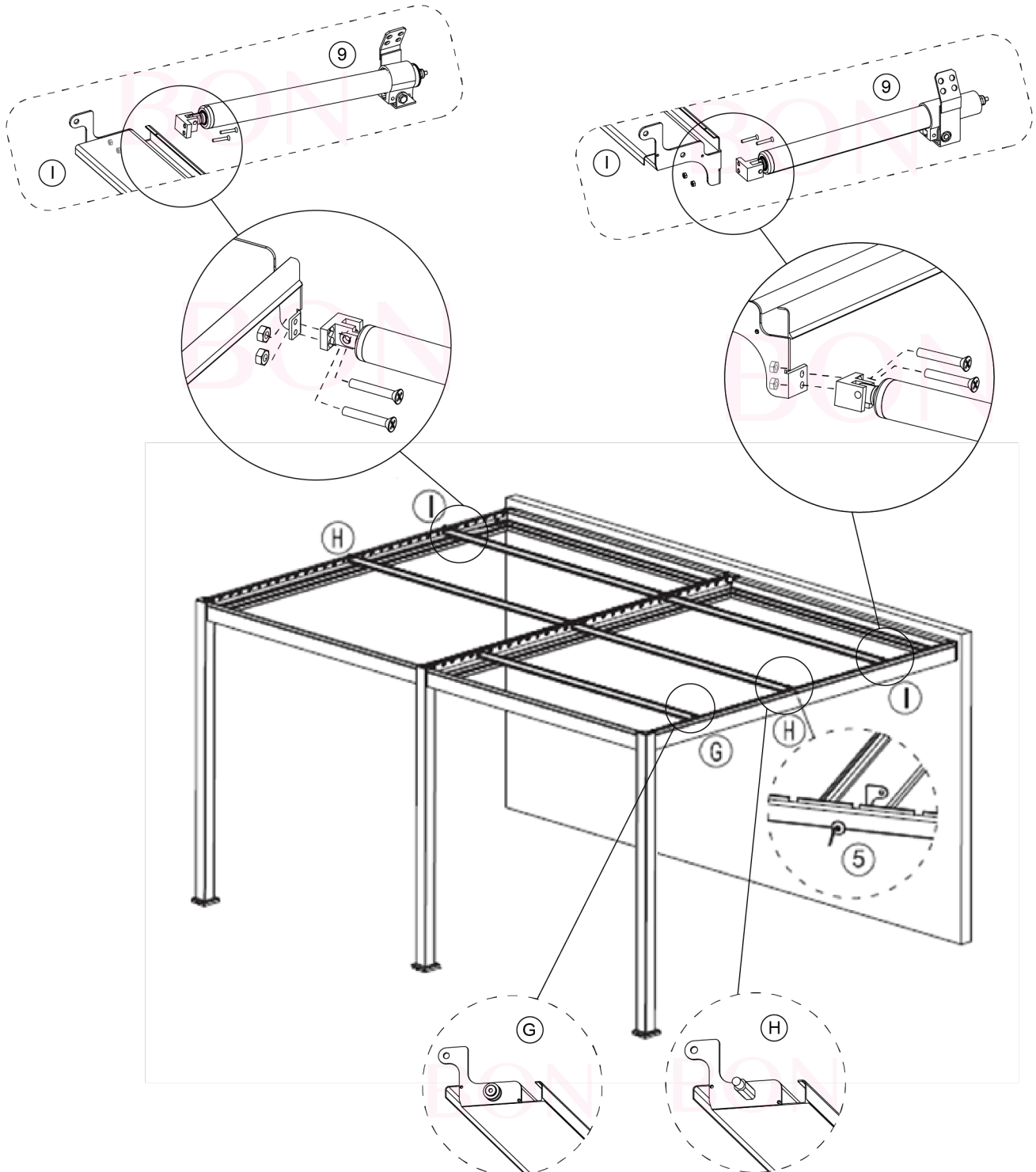
Place center louver ⑩ into **16th slot**, lining up with the holes

Using M10 nut ⑤X2, secure the louver in place

Place Steering louvers ①X2 in line with **7th slot** on the beam ①A1 and ①A2.

Fit all common louvers ⑥X58 into the remaining slots in the beams

⑥ x58	⑨ x2	⑩ x2	
⑤ x2			



## Step 14

Fix ④ x 4 (flat L-shaped aluminum profile).

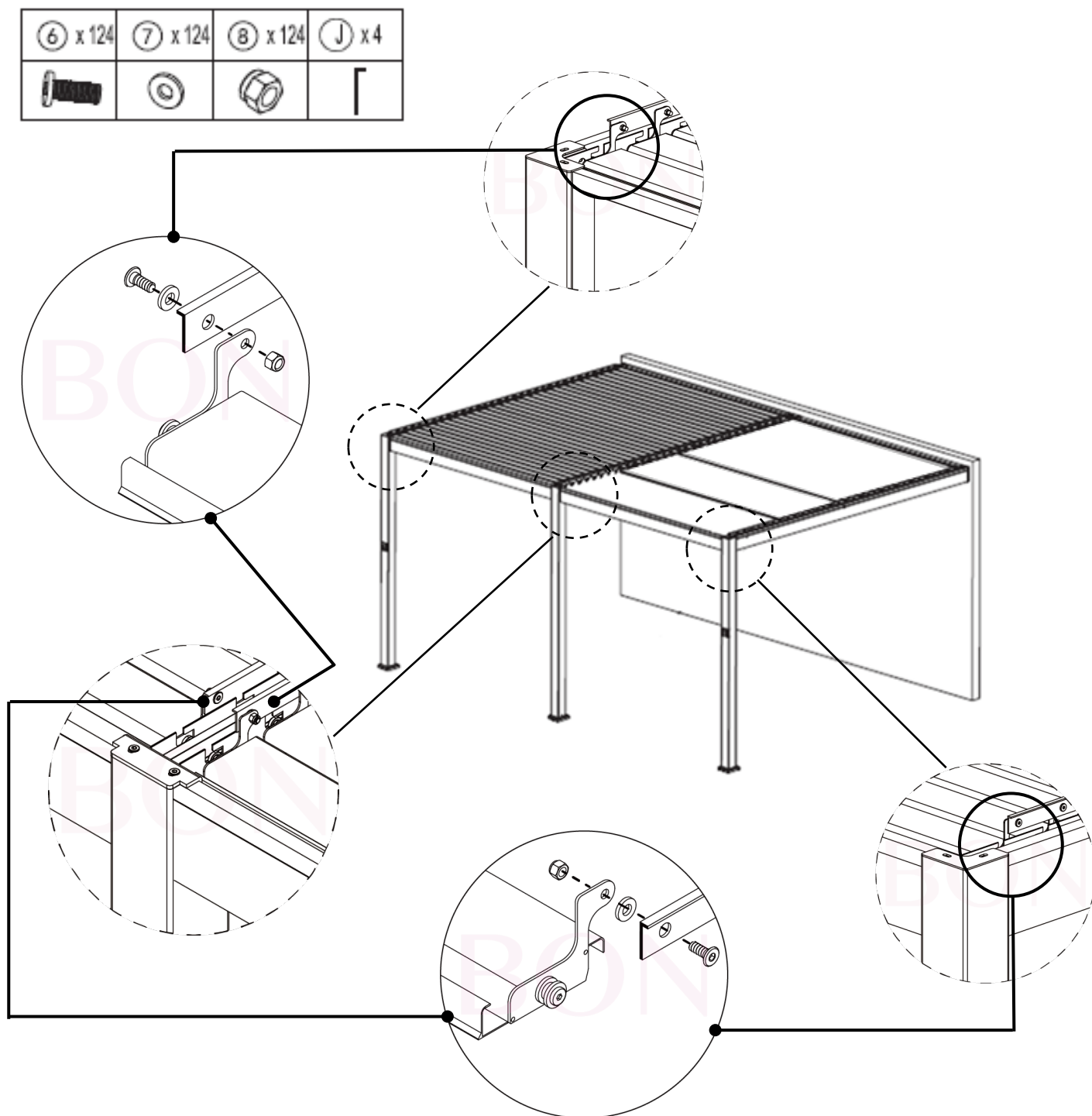
One for each other of the slats is required.

Use bolt ⑥ x124, plastic spacer ⑦ x124 and nut ⑧ x124 to tighten for 600X400cm size.

Secure the louvers at each end.

**Tip: Do one sections of louvers first, then when installing the other side, screw, and bolt per louver one by one (especially the side that is at the center).**

**NOTE: Do not over tighten. Over tightening will prevent louvers from moving.**

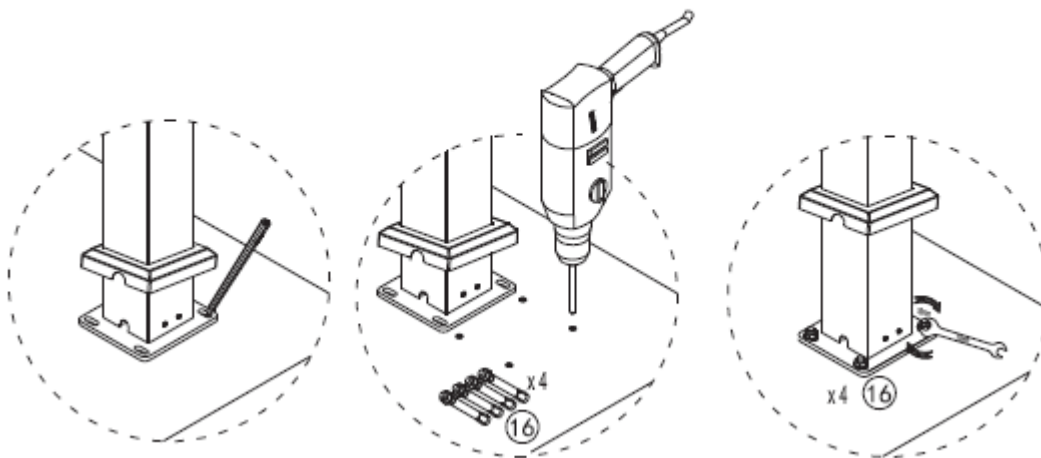
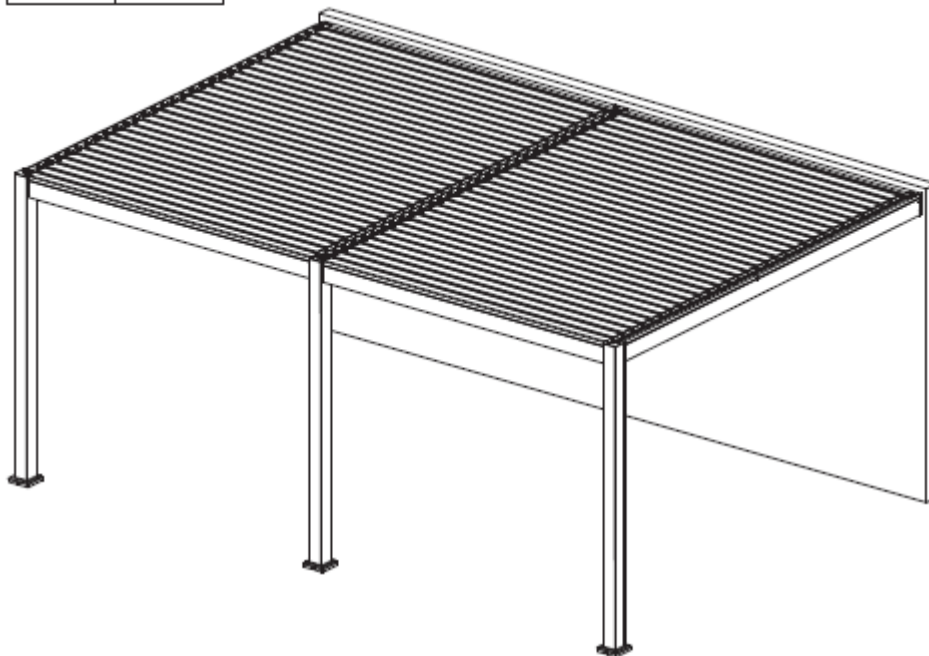
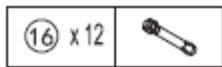


## Step 15

Mark holes for expansion bolt ①6 x12 on each post.

Note the drill size should be 12 mm.

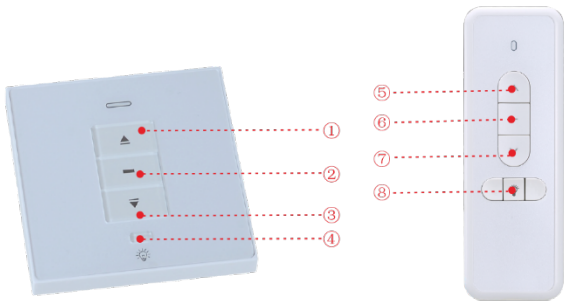
Insert the bolts. Use an hammer drill if necessary. Place the posts over the bolts. Tighten the nuts. Once installed, make sure any remaining plastic is removed and silicone is used along all corners and gutters to waterproof.



**WARNING: Make sure louvers are open when mild to strong winds occur for safety.**



# Operating Instructions for Remote Controller with Light Control



HC-PM03\FID-T1

- ①Motor: Up button
- ②Motor: Stop button
- ③Motor: Down button
- ④Light bulb: turn on/off button

HC-PM03\D-T1

- ⑤Motor: Up button
- ⑥Motor: Stop button
- ⑦Motor: Down button
- ⑧Light bulb: turn on/off button

## 1. Function and Features

- ※ 86mm\*86mm, in accordance with international installation standard;
- ※ The electric structure is partial conformity with the standard fire protection requirement of the electrician;
- ※ Industrial grade microcomputer chip is used to improve product quality and reliability greatly;
- ※ Use shock-proof current relay;
- ※ Components using precision SMT industry, surface moisture-proof treatment;
- ※ Power supply has safety protection, power supply time is 5 minutes;
- ※ It is used with various emitters and tubular motors.

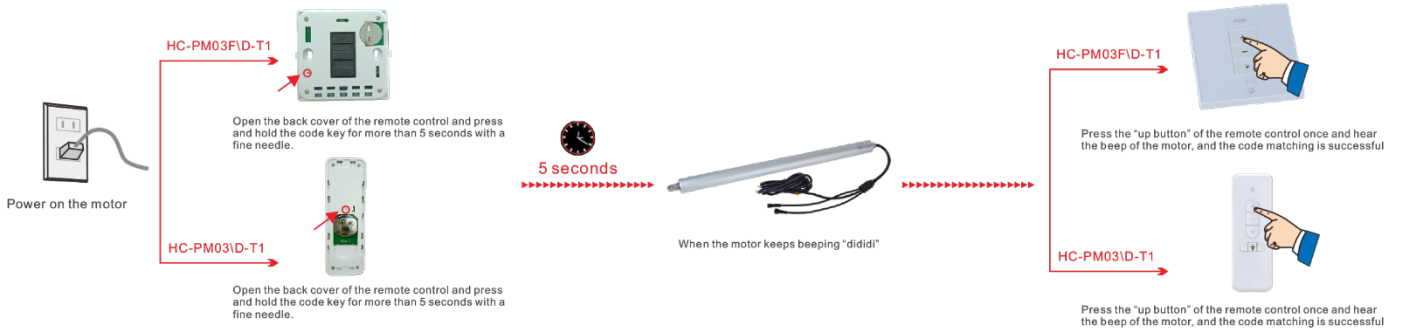
## 2. Product Parameters

Product name	Remote controller with light control
Product model	HC-PM03\FID-T1
Receiving/transmitting frequency	433.92MHz
Working temperature	-20°C~+85°C
Receiving sensitivity	-110dBm
Allowed number of transmitters	≤8pcs

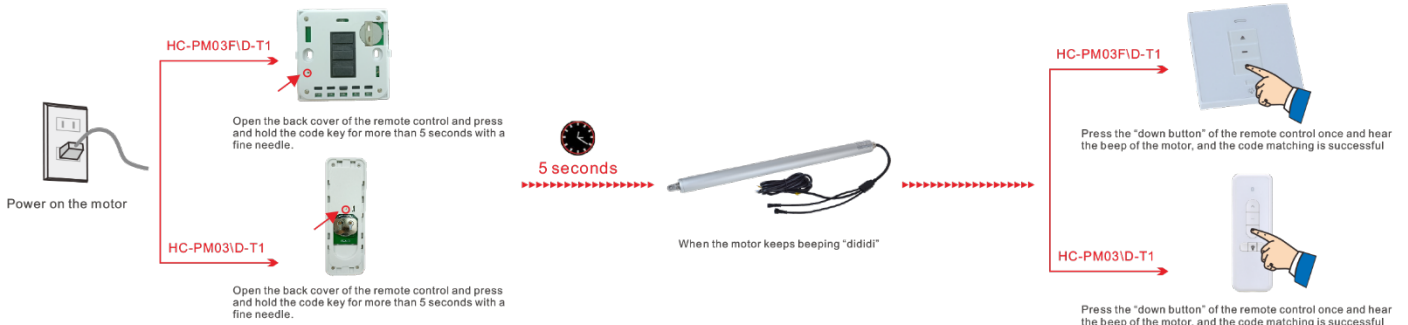
Product name	Remote controller with light control
Product model	HC-PM03\D-T1
Receiving/transmitting frequency	433.92MHz
Working temperature	-20°C~+85°C
Receiving sensitivity	-110dBm
Allowed number of transmitters	≤8pcs

## 3. Operating Instruction

### A. Learning code



### B. Deleting code



## Dismounting

If you want to disassemble the Pergola, please follow the following process.

**Attention! At least two people are needed for this step.**

- ◆ Keep the Pergola louvers open before you begin with dismounting. Bind the Louvers of the Pergola together to avoid unintended unfolding. This might cause damage and injury. You can use the protection band that was fixed on the Pergola when purchasing it.
- ◆ Follow the mounting instructions in reversed order to dismount the Pergola.
- ◆ Make sure that drilling holes in the wall will be sealed professional.
- ◆ **Attention! Safety hints and instructions have to be followed for dismounting as well.**

## Storage

When you do not want to use the Pergola for a longer period of time it is recommended to take the Pergola out of the brackets and store it.

- ◆ Make sure that the frame is dry completely before storing.
- ◆ Store the Pergola at a dry and safe place that is not reachable for children.

## Disposal

Do not dispose this Pergola with other household wastes. To prevent possible harm to the environment or human health from uncontrolled waste disposal, recycle it responsibly to promote the sustainable reuse of material resources. To return your used device, please use the return and collection systems or contact the retailer where the product was purchased. They can take this product for environmentally safe recycling. Dispose packing materials according to local guidelines.