

# Ultimate

**Actual Size:** 29.75x59.5x38

**Seat Width:** 21 inches

**Shipping Size:** 32x62x50

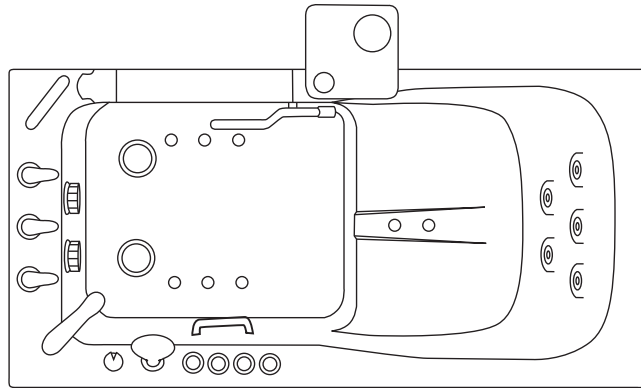
**Shipping Weight:** 300 lbs.

**Net Weight:** 220 lbs.

**Water Capacity:** 95 gal.

**Occupied:** 55-85 gal.

**Drainage Time:** +/- 80 sec at ideal  
home plumbing conditions  
(occupied)



## Included Features

1. Acrylic Tub Shell:
  - High Gloss White Finish
  - Fiberglass Gelcoat Reinforced
2. Stainless Steel Frame with Adjustable Leveling Legs
3. Inward swing removeable brushed stainless steel door with frosted finish tempered glass
4. Two (2) front and one (1) end reversible removable access panel
5. Stainless steel chrome finish U-shape deck & wall mount grab bars
6. Removable swivel tray in white matte finish

## Floor Drains - 2 Options

1. Two (2) 2" PVC T-type two (2) outlet drain with two (2) endcaps. Two (2) overflows and cable operated openers with extended handles for easier grip in chrome finish
2. Two (2) 2" Brass threaded floor drains with copper overflow and cable operated opener with extended handle

## Jetting Options

1. Hydro Massage System
  - Hydro Massage Pump 5AMP 600W
  - Hydro massage intensity dial air control
  - In-line water heater 5.5AMP 650W
  - Ozone Sterilization
  - 11 jets
  - On/Off push control
2. Hydro Massage System (Foot Massage)
  - Hydro Massage Pump 5AMP 600W
  - Hydro massage intensity dial air control
  - In-line water heater 5.5AMP 650W
  - Ozone Sterilization
  - 4 Foot and 2 Calf Massage Jets
  - On/Off push control
3. Air Massage System
  - Air Massage Pump 4.5AMP 486W
  - 3 Speed Pump
  - Autopurge (Activates 20 minutes after pump shutdown)
  - 17 jets
  - On/Off push control

## Available Packages

1. Triple Jetting ( Air + Hydro + Hydro Foot ) + LED Chromatherapy

## Optional Features

1. Heated Seat and Backrest 4AMP 470W
2. Aromatherapy
3. Digital Controller

## Faucet Options

1. Five-Piece Fast Fill Faucet Set
  - Up to 18 GPM @ 60 PSI at ideal in home plumbing conditions
  - Two (2) 5' Supply lines with 3/4" connectors
  - Pull out, hand held, chrome plated hand shower with 5 ft. retractable stainless steel braided hose
2. Two-Piece Fast Fill Faucet Set
  - Up to 16 GPM @ 60 PSI at ideal in home plumbing conditions
  - Two (2) 5' Supply lines with 3/4" connectors
  - Pull out, hand held, chrome plated hand shower with 5 ft. retractable stainless steel braided hose

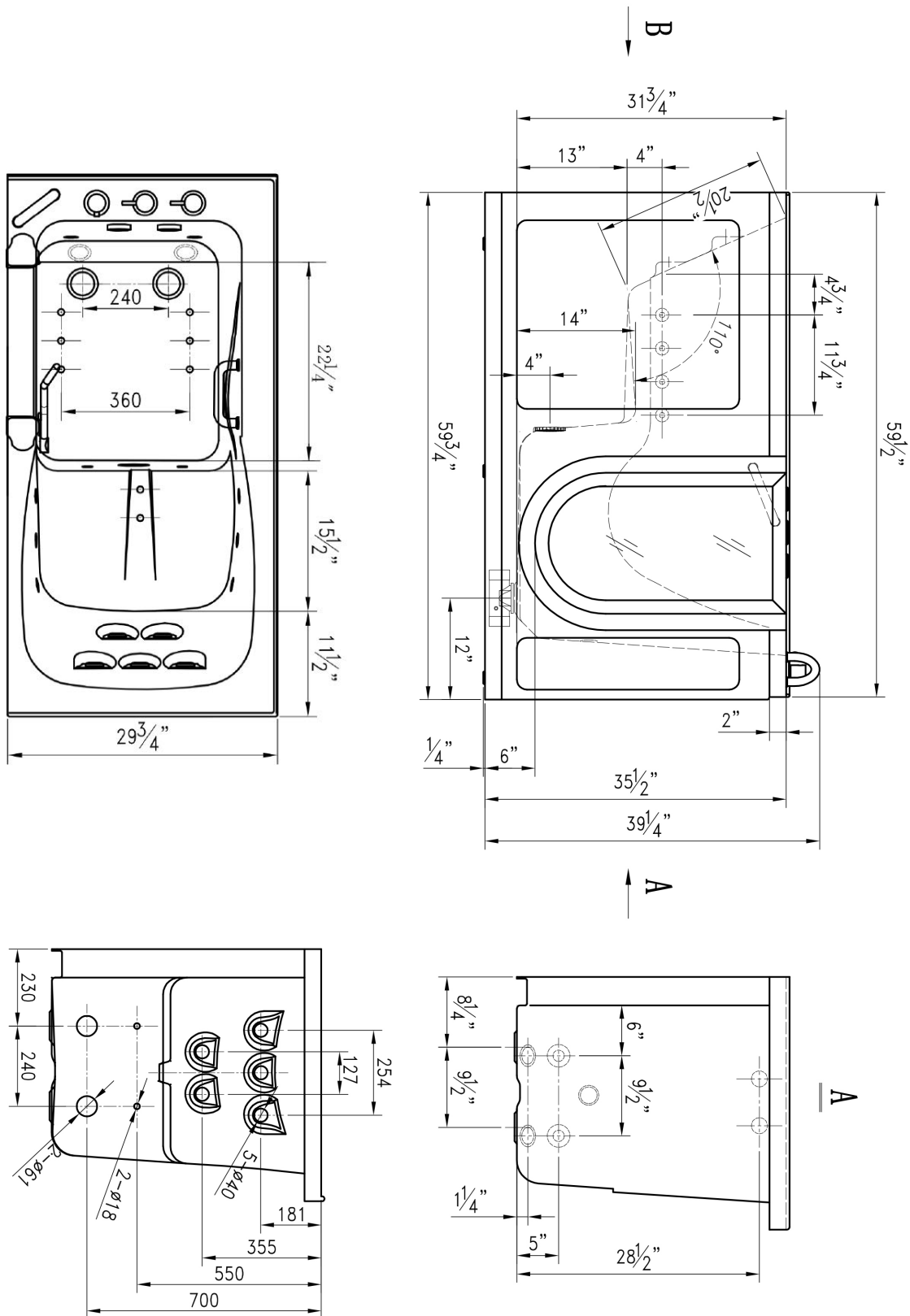
## Electrical Requirements:

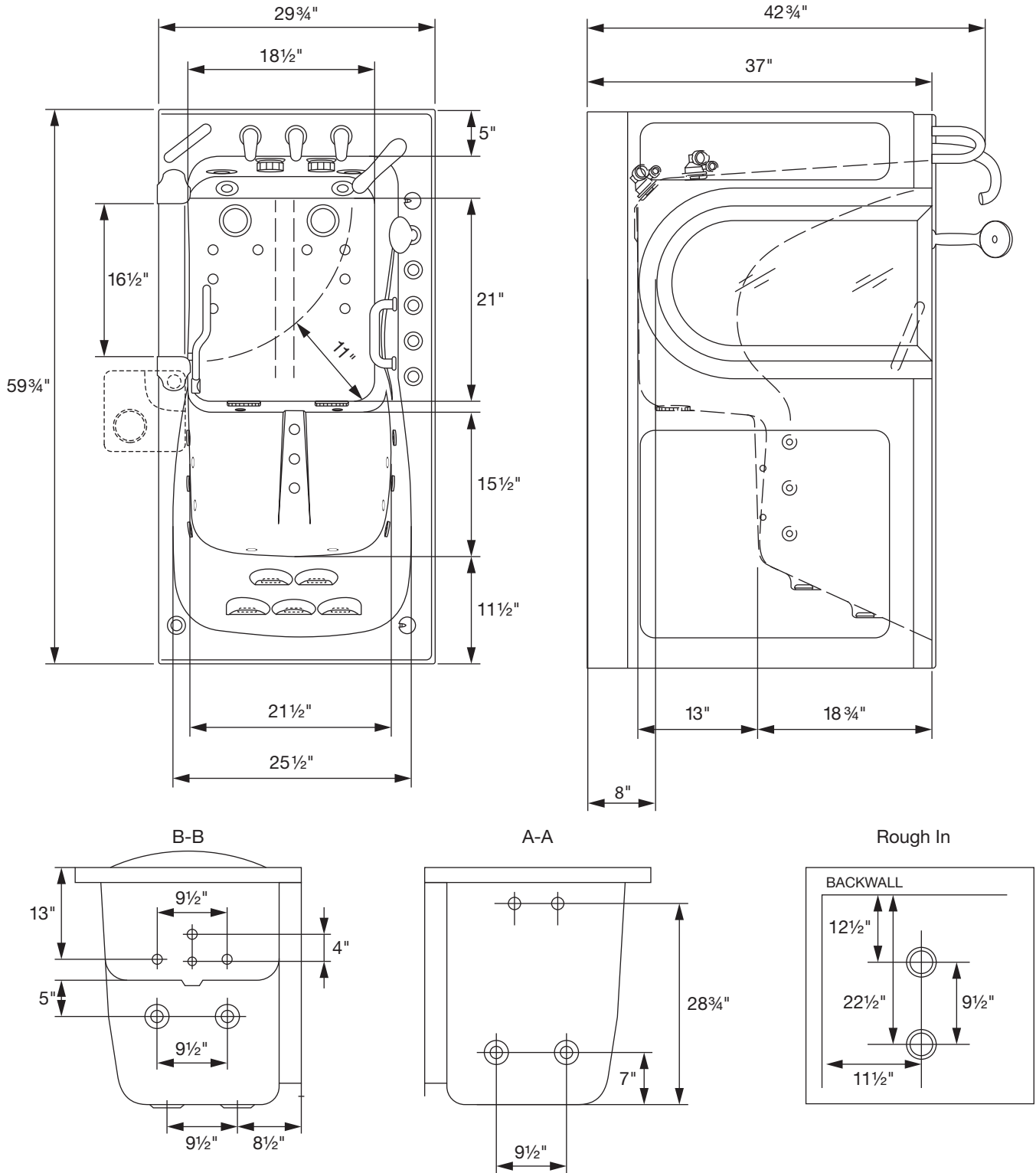
Dedicated GFCI protected electrical line/s required.

## Warranty

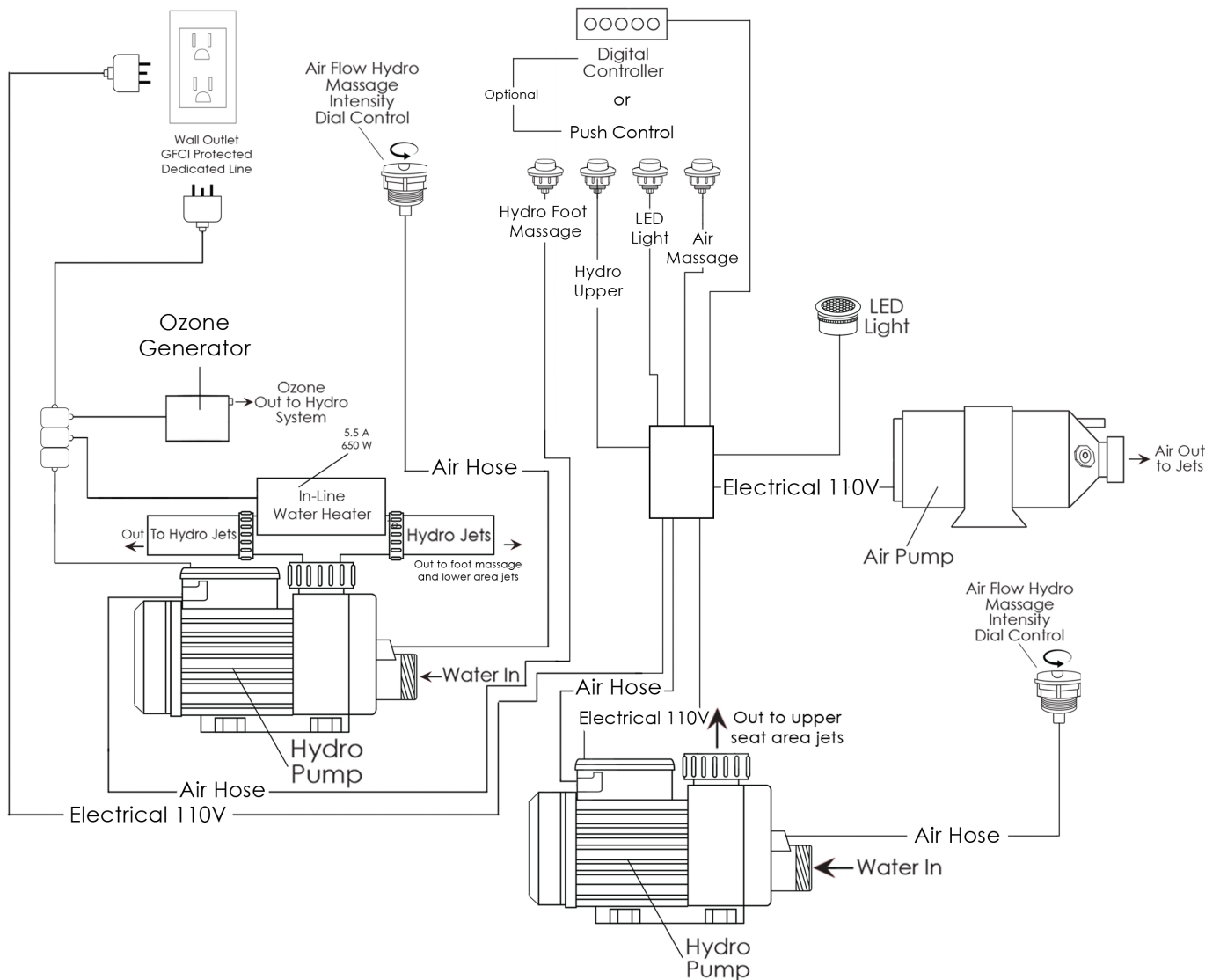
- Lifetime limited\* warranty on shell, frame, door and parts to original purchaser
- Labor or installation is not covered – please refer to Ella warranty certificate
- Thermostatic control valve faucet is covered for 1 year due to water quality
- Non-Ella brand faucets covered under manufacturers original warranty

Ultimate - Inward Swing Door Walk In Bathtub Drawing  
with 2" T Type Dual Port Drain





Hydro Massage (Upper Jets) + Air Massage + Hydro Massage (Foot Jets)



**1. Hydro Massage System (Foot Massage)**

- Hydro Pump 5AMP 600W
- Hydro massage intensity dial air control
- In-line water heater 5.5AMP 650W
- Ozone Sterilization
- 4 Foot and 2 Calf Massage Jets

**2. Air Massage System 4.5AMP 486W**

- 17 Air Jets
- 3 Speed Pump
- Autopurge (Activates 20 minutes after pump shutdown)

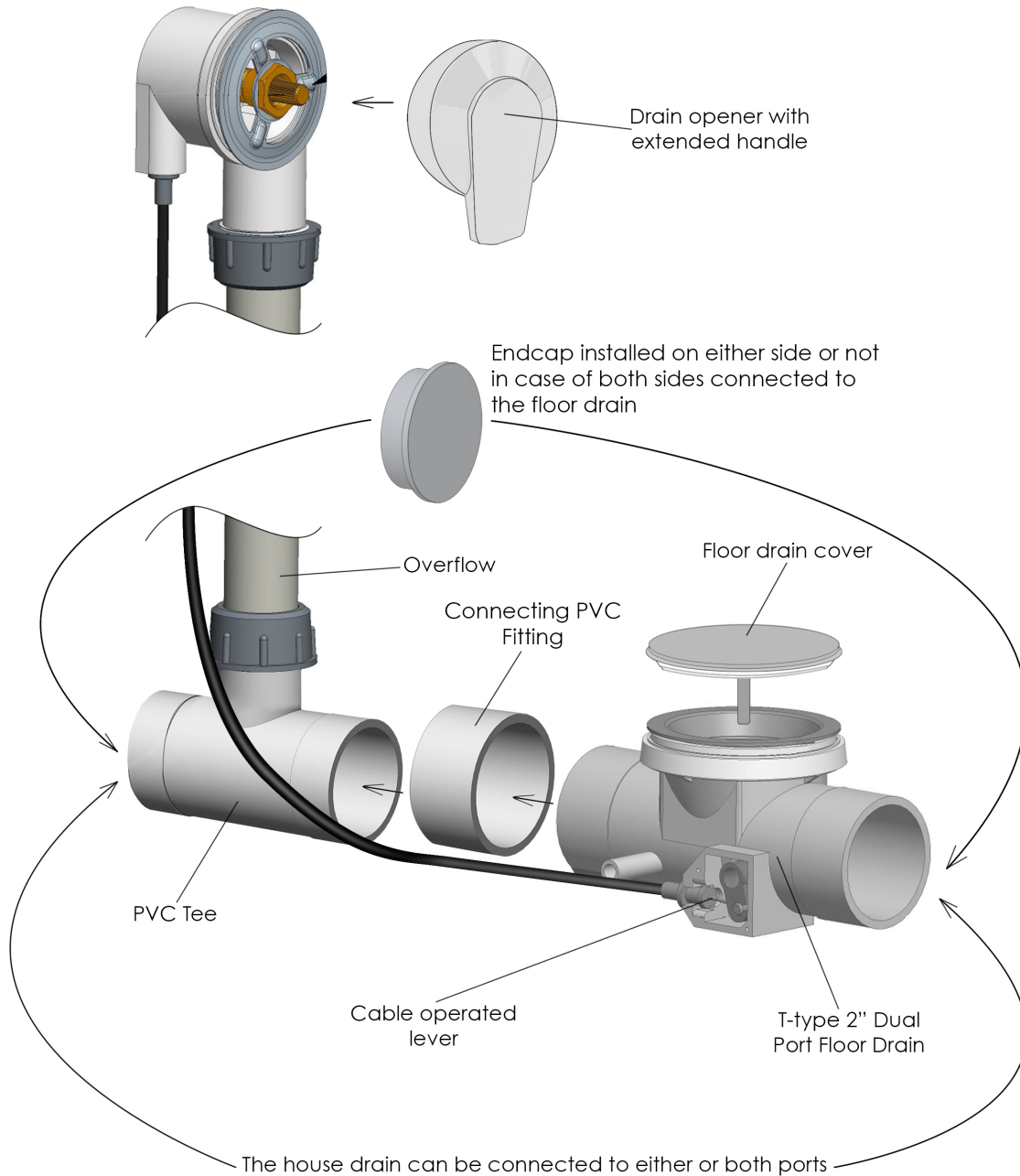
**3. Hydro Massage System (Upper Jets)**

- Hydro Pump 5AMP 600W
- Hydro massage intensity dial air control
- 11 Hydro Jets

**Electrical Requirements:**

Two (2) dedicated 120V electrical lines with 20AMP GFCI standard three prong outlets are required

## Dual Drain - two (2) independent floor drains



**DESCRIPTION**

- Spout - brass chrome finish
- Diverter 3/4" - brass chrome finish
- Hot and cold 3/4" valve - brass chrome finish
- Two (2) water supply lines with 3/4" connectors - 5' long, stainless steel braided
- Handheld shower mixer - PVC chrome finish
- Pull out hand mixer hose - stainless steel braided in chrome finish

**Flow**

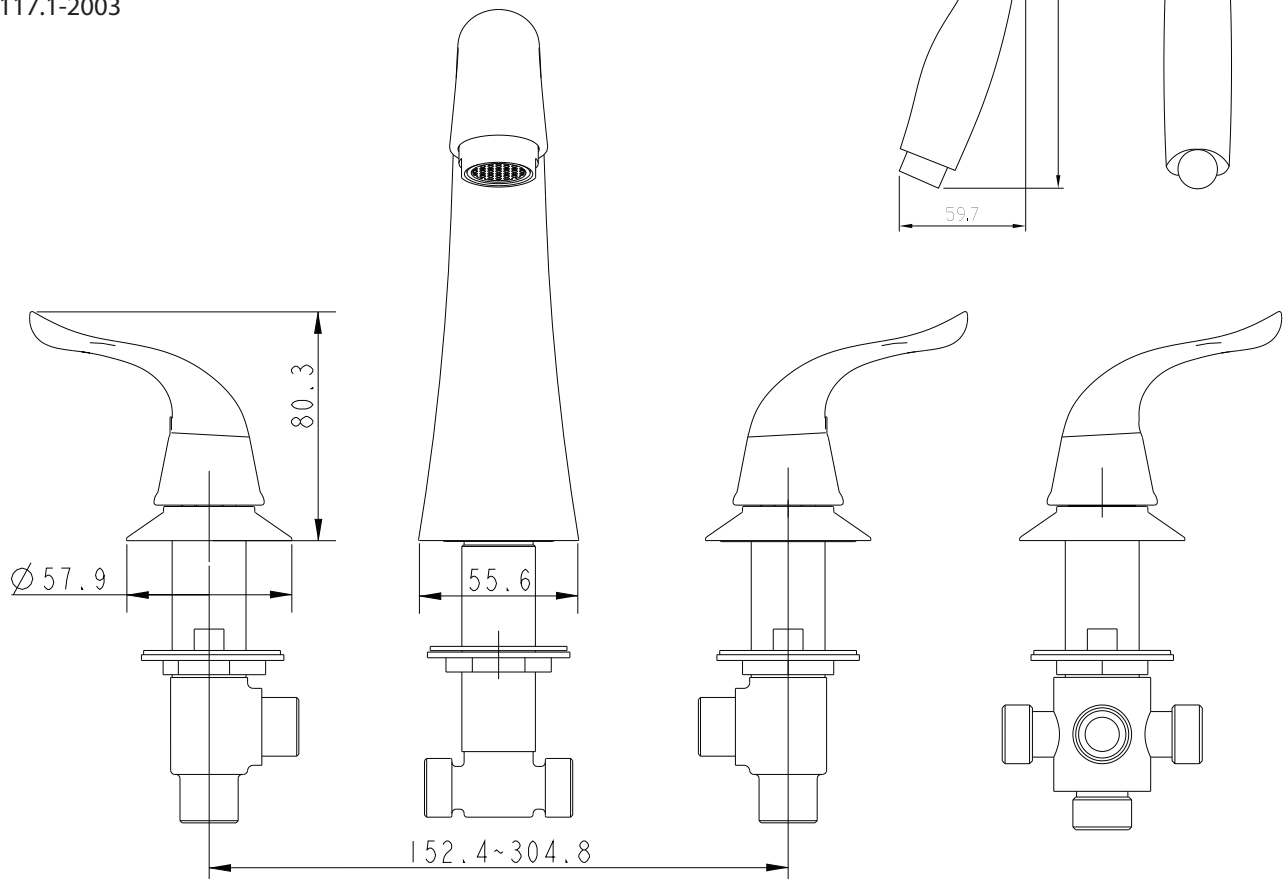
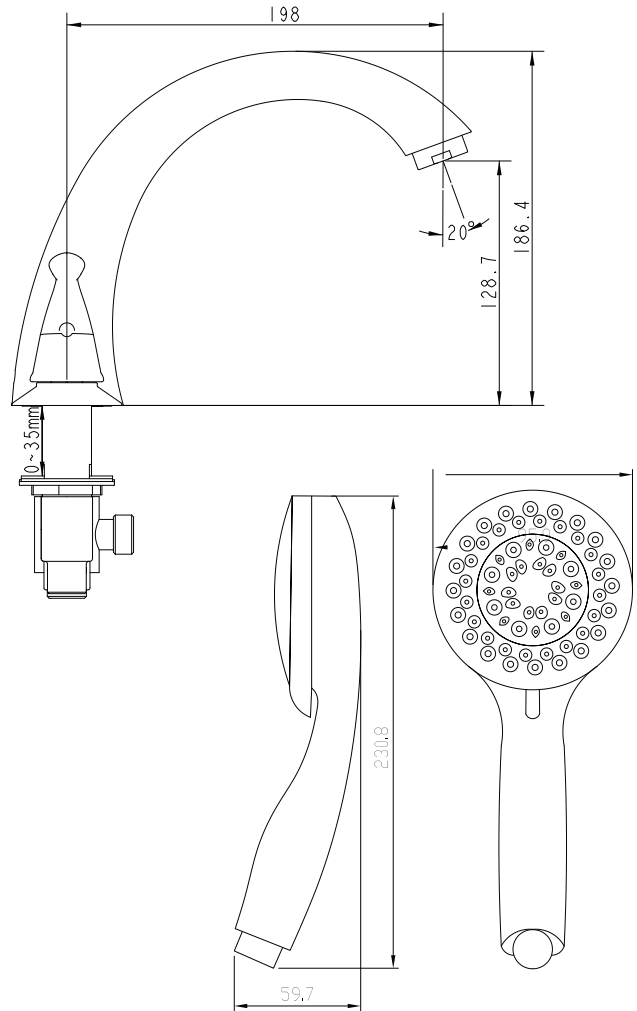
- Faucet - up to 18GPM
- Handheld shower mixer - up to 2GPM

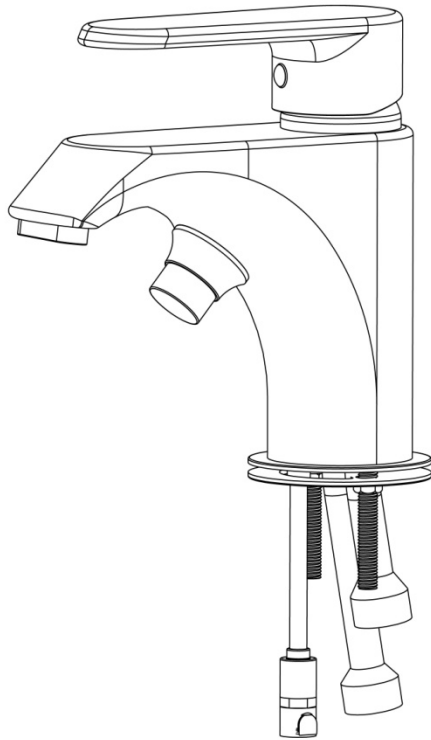
**Cartridge**

- 40mm and 3/4" outlet high flow cartridge design
- Nonmetallic, nonferrous and stainless-steel material

**Standards**

Certified to meet  
ASME A112.18.1-2012/CSA B125.1-12 ICC/  
ANSI A117.1-2003





## DESCRIPTION

- Spout with diverter – brass chrome finish
- Single lever high flow valve - brass chrome finish
- Includes 5 option adjustable hand shower mixer - PVC chrome finish
- Pull out hand mixer hose stainless steel braided in chrome finish
- Two (2) water supply lines with 3/4" IPS connectors, 5' long - stainless steel braided

G.W: 7.75 kg / 17 lbs.

**NOTE:** THIS FAUCET IS DESIGNED TO BE INSTALLED THRU:

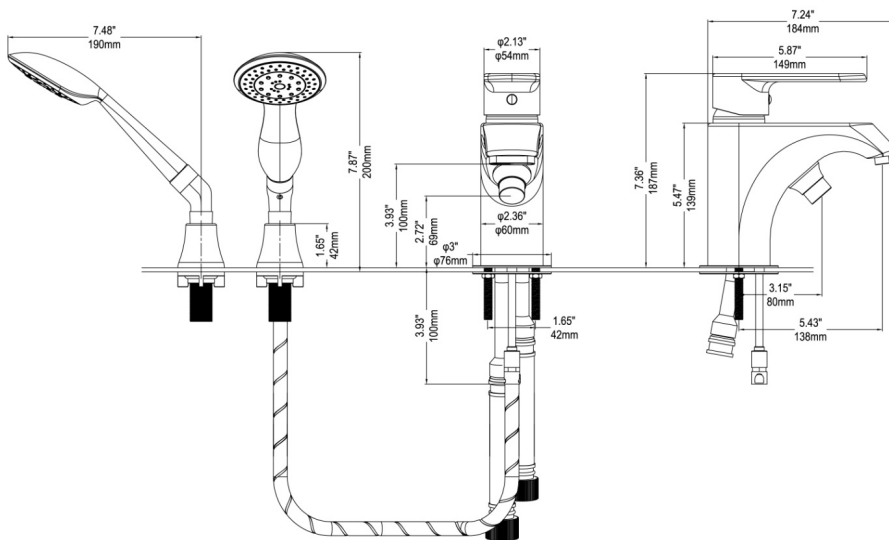
- 2-1/2" DIA. HOLE FOR FAUCET
- 1/3" DIA. HOLE FOR MOUNTING RODS
- 7/8" DIA. HOLE FOR HAND SHOWER

## OPERATION

- Pivot action lever style handle
- Temperature controlled through 180° degree arc of handle travel

## FLOW

- Faucet – up to 18GPM
- Handheld shower mixer – up to 2GPM



## CARTRIDGE

- 40mm high flow cartridge design
- Nonmetallic/nonferrous and stainless steel material

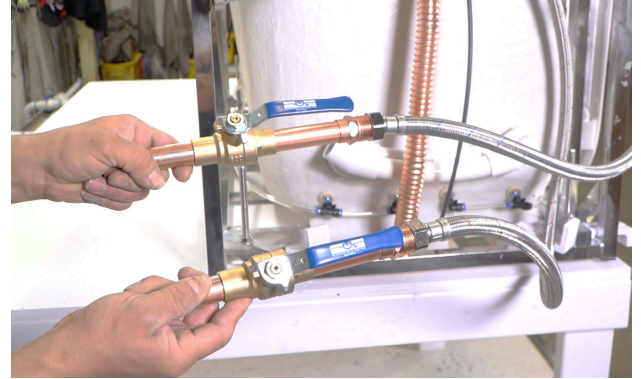
## STANDARDS

- Third party certified to meet: CSA B-125.1, ASME A112.18.1, ICC 117.1 and all applicable requirements referenced therein
- Certified to ANSI/NSF 61/9
- ADA for lever handle
- IAPMO R&T UPC certified

Two 3/4" connector water supply lines included with Ella Fast Fill Faucets.



Connect to Shut  
Off Valves  
(not included)



All electrical  
fixtures connect  
to a dedicated  
GFCI protected  
outlet.



T-Type four (4) 2" drain ports  
allow for the drain pipe to be  
installed in either direction.

Use drain cap to  
close unused  
drain port.

