

Royal

Actual Size: 31.75x52.25x38

Seat Width: 23.75

Shipping Size: 34x54x50

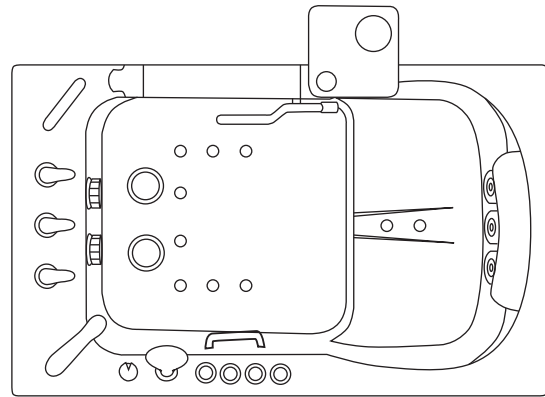
Shipping Weight: 285 lbs.

Net Weight: 210 lbs.

Water Capacity: 85 gal.

Occupied: 45-65 gal.

Drainage Time: +/- 80 sec at ideal
home plumbing conditions
(occupied)



Included Features

1. Acrylic Tub Shell:
 - High Gloss White Finish
 - Fiberglass Gelcoat Reinforced
2. Stainless Steel Frame with Adjustable Leveling Legs
3. Inward swing removeable brushed stainless steel door with frosted finish tempered glass
4. Two (2) front and one (1) end reversible removable access panel
5. Stainless steel chrome finish U-shape deck & wall mount grab bars
6. Extension panel, filler for 60" alcove installations
7. Removable swivel tray in white matte finish

Floor Drains - 2 Options

1. Two (2) 2" PVC T-type two (2) outlet drain with two (2) endcaps. Two (2) overflows and cable operated openers with extended handles for easier grip in chrome finish
2. Two (2) 2" Brass threaded floor drains with copper overflow and cable operated opener with extended handle

Jetting Options

1. Hydro Massage System
 - Hydro Massage Pump 5AMP 600W
 - Hydro massage intensity dial air control
 - In-line water heater 5.5AMP 650W
 - Ozone Sterilization
 - 14 jets and a On/Off push control
2. Air Massage System
 - Air Massage Pump 4.5AMP 486W
 - 3 Speed Pump
 - Autopurge (Activates 20 minutes after pump shutdown)
 - 16 jets and a On/Off push control
3. MicroBubble Therapy System
 - 1HP Pump 10AMP 1200W
 - Pressure Vessel
 - On/Off Push Control

Note: LED Chromotherapy Light .04AMP with On/Off push control comes included with the following packages: Dual (hydro + air), Hydro + Micro.

Available Packages

1. Dual Jetting (Air + Hydro) + LED Chromotherapy
2. Hydro Massage (No LED)
3. Hydro Massage + Microbubble + LED Chromotherapy
4. Microbubble Therapy (No LED)
5. Soaking (No LED)

Optional Features

1. Heated Seat and Backrest 4AMP 470W
2. Aromatherapy
3. Digital Controller

Faucet Options

1. Five-Piece Fast Fill Faucet Set
 - Up to 18 GPM @ 60 PSI at ideal in home plumbing conditions
 - Two (2) 5' Supply lines with 3/4" connectors
 - Pull out, hand held, chrome plated hand shower with 5 ft. retractable stainless steel braided hose
2. Two-Piece Fast Fill Faucet Set
 - Up to 16 GPM @ 60 PSI at ideal in home plumbing conditions
 - Two (2) 5' Supply lines with 3/4" connectors
 - Pull out, hand held, chrome plated hand shower with 5 ft. retractable stainless steel braided hose

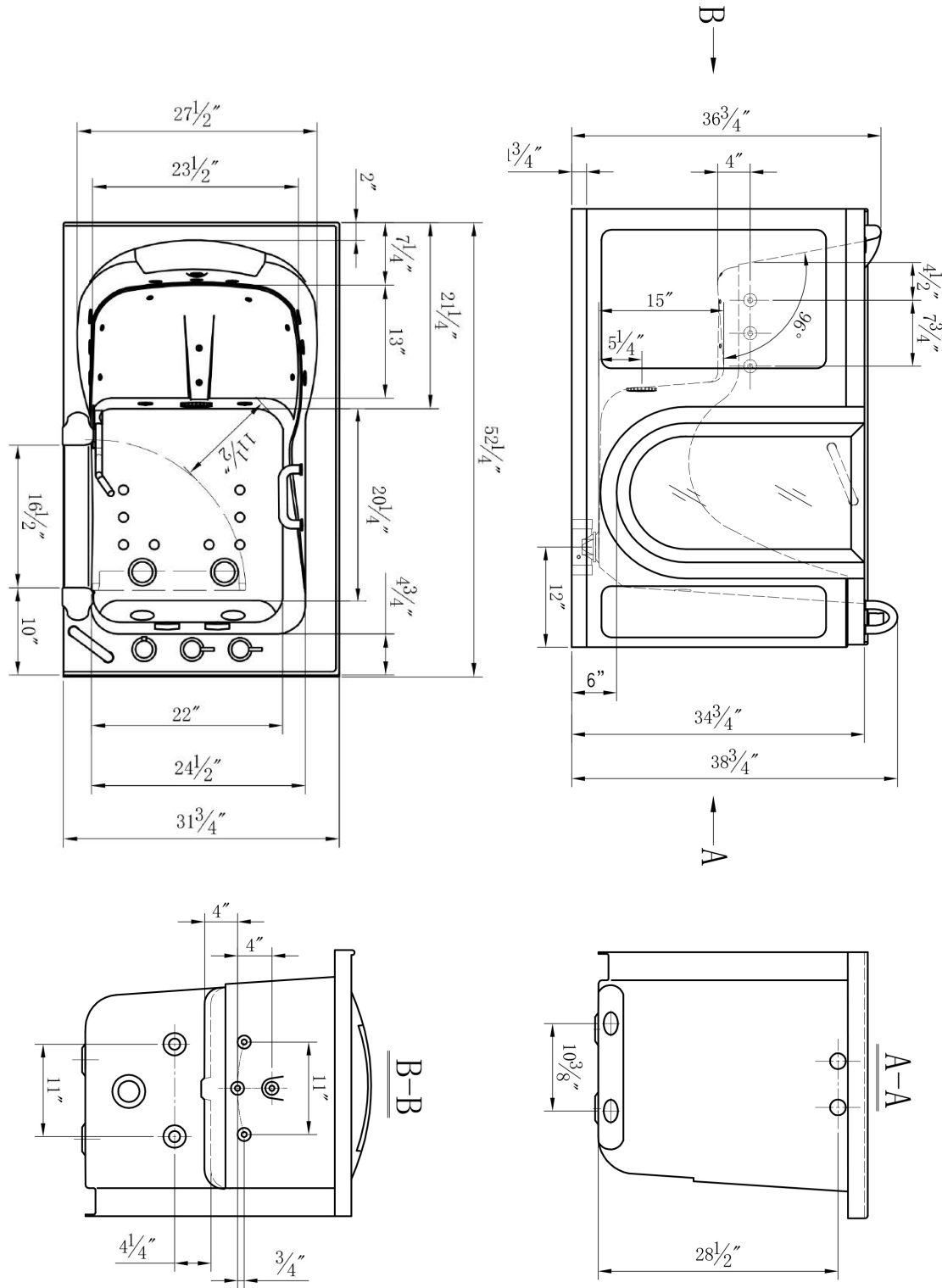
Electrical Requirements:

Dedicated GFCI protected electrical line/s required.

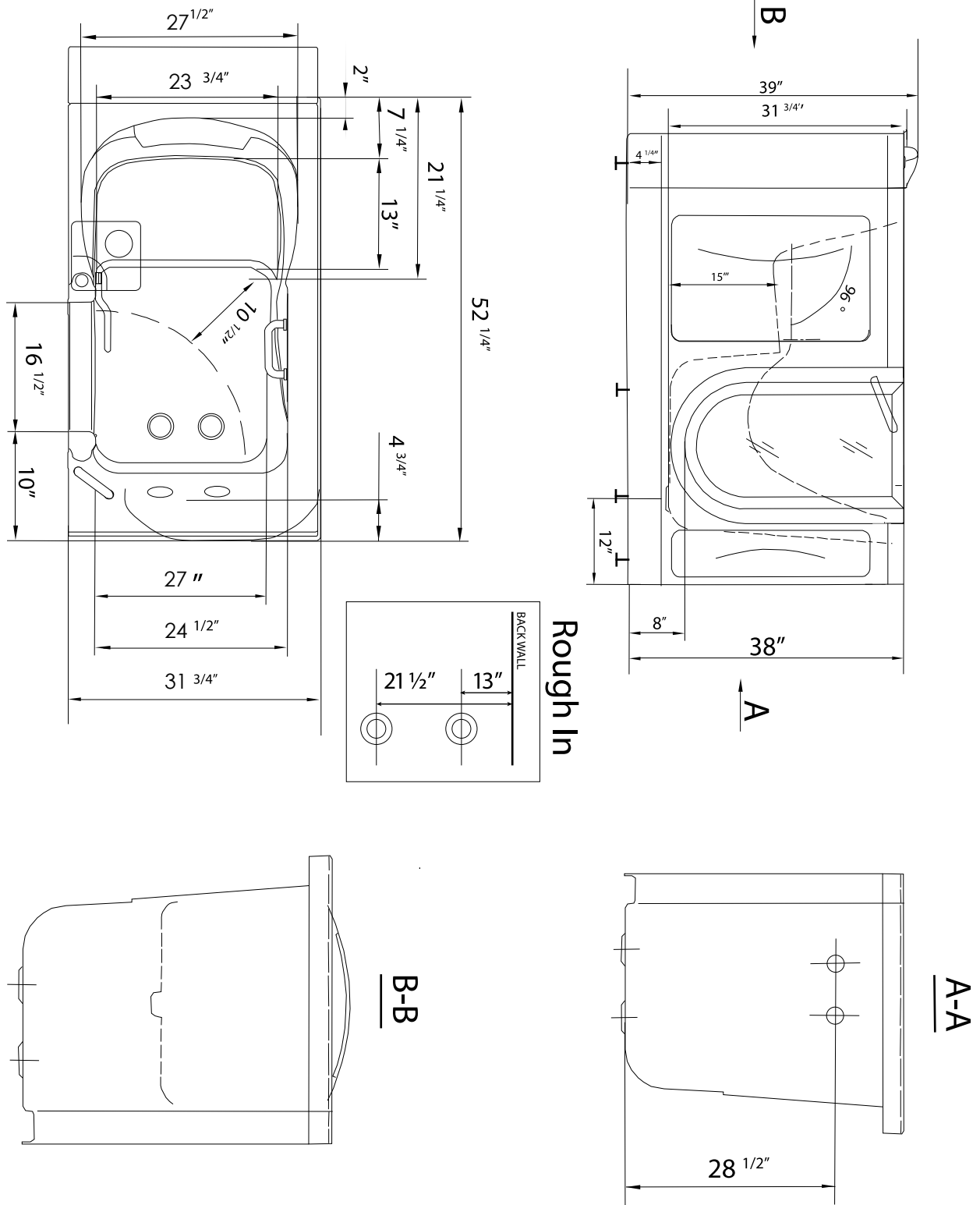
Warranty

- Lifetime limited warranty on acrylic walk in tub shell, frame, and door
- 5 year parts warranty

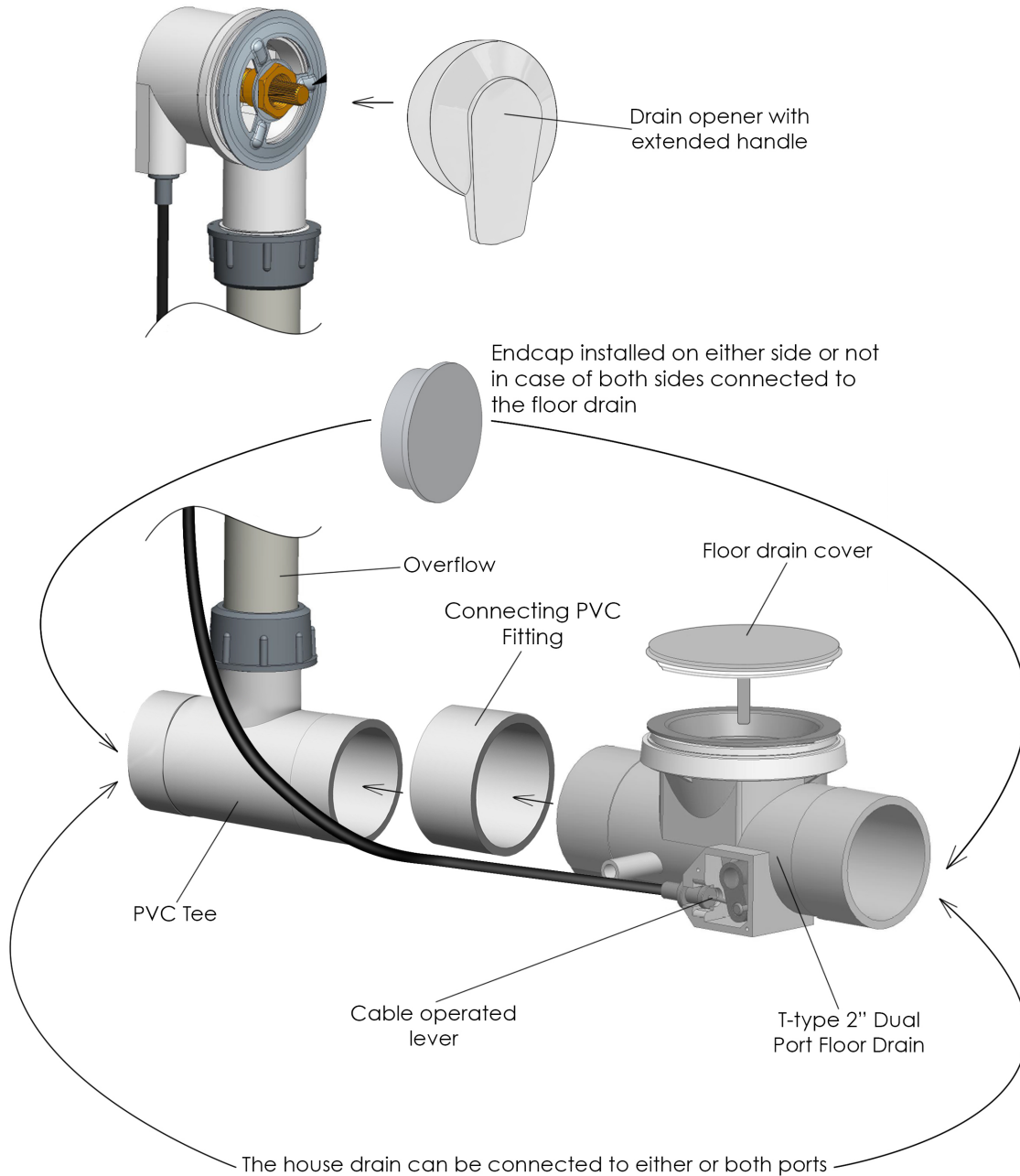
Royal - Inward Swing Door Walk In Bathtub Drawing
with 2" T Type Dual Port Drain



Royal - Inward Swing Door Walk In Bathtub Drawing
with 2" Brass Dual Drain



Dual Drain - two (2) independent floor drains



Ella 5 Piece 3/4" Fast Fill Faucet with Pull Out Hand Mixer

DESCRIPTION

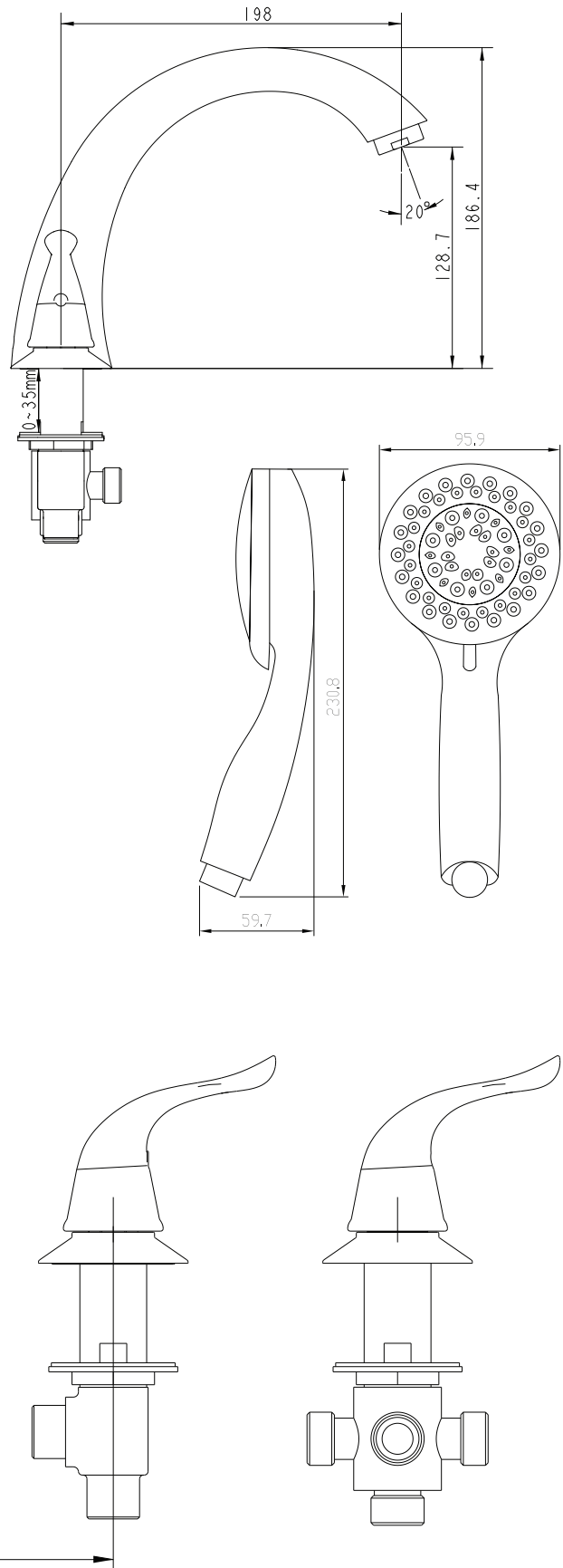
- Solid brass spout in chrome finish bathtub faucet and pull out hand shower mixer with 3 settings and 5' braided hose in chrome finish
- Two (2) 3/4" 5' braided stainless-steel supply lines
- Cold/Hot levers with diverter for hand mixer

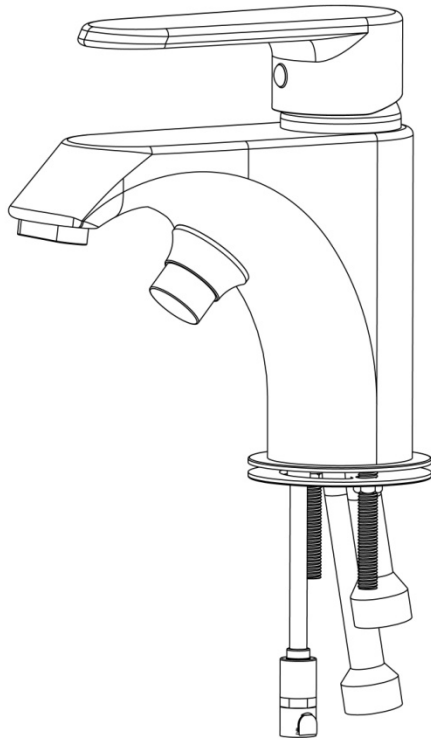
Flow

- Hand shower is limited to 1.9 gpm (7.5L/min)
- Faucet fill rate designed for 18gpm (68.1L/min)

Cartridge

- 40mm high flow cartridge design
- Nonmetallic/nonferrous and stainless-steel material





Material: Brass in Chrome Finish

G.W: 7.75 kg / 17 lbs.

NOTE: THIS FAUCET IS DESIGNED TO BE INSTALLED THRU:

- 2-1/2" DIA. HOLE FOR FAUCET
- 1/3" DIA. HOLE FOR MOUNTING RODS
- 7/8" DIA. HOLE FOR HAND SHOWER

OPERATION

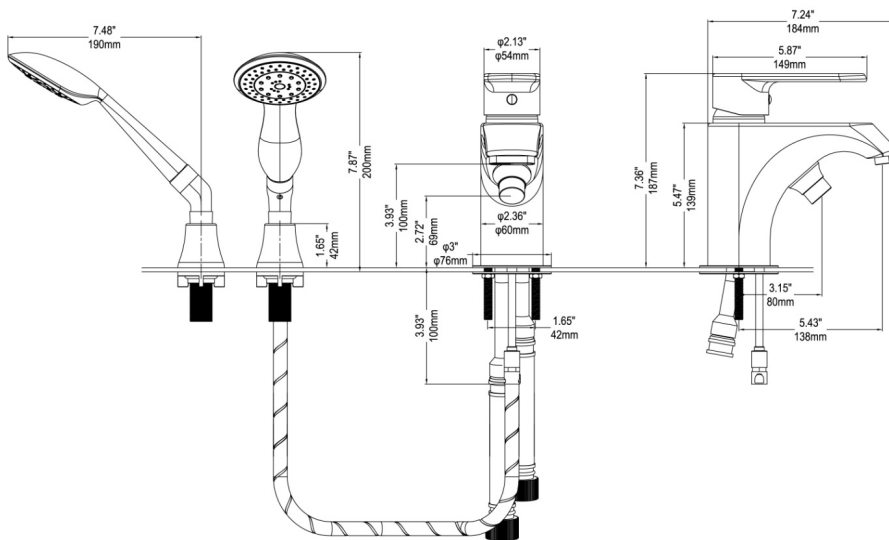
- Pivot action lever style handle
- Temperature controlled through 180° degree arc of handle travel

DESCRIPTION

- Metal construction single lever high flow bath valve
- 3/4" IPS connections
- Includes hand shower with diverter button

FLOW

- Hand shower is limited to 1.9 gpm(7.5L/min)
- Faucet fill rate designed for 18gpm (68.1L/min) flow.



CARTRIDGE

- 40mm high flow cartridge design
- Nonmetallic/nonferrous and stainless steel material

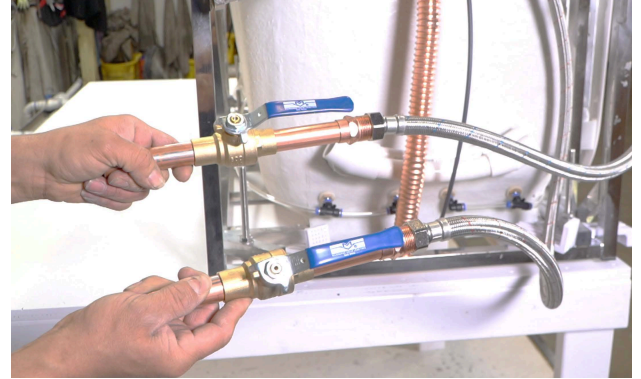
STANDARDS

- Third party certified to meet: CSA B-125.1, ASME A112.18.1, ICC 117.1 and all applicable requirements referenced therein
- Certified to ANSI/NSF 61/9
- ADA for lever handle
- IAPMO R&T UPC certified

Two 3/4" connector water supply lines included with Ella Fast Fill Faucets.



Connect to Shut
Off Valves
(not included)



All electrical
fixtures connect
to a dedicated
GFCI protected
outlet.



T-Type four (4) 2" drain ports
allow for the drain pipe to be
installed in either direction.

Use drain cap to
close unused
drain port.

