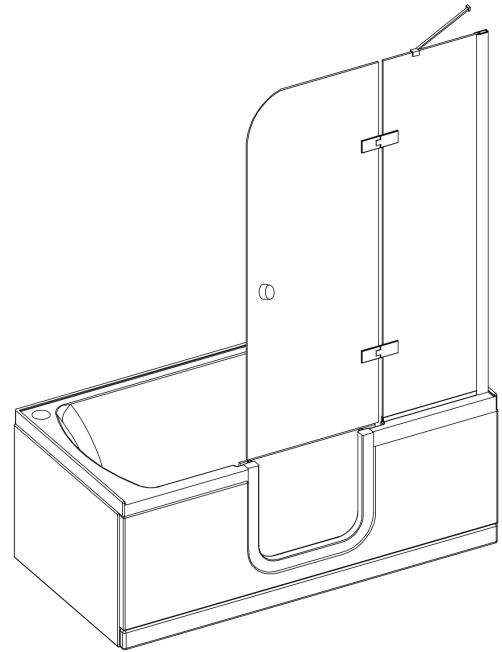


LA3060-L



LA3060-R

Included Features

1. Acrylic Tub Shell:
 - High quality acrylic
 - Excellent color uniformity
 - High Gloss White Finish
2. Stainless Steel Frame with Adjustable Leveling Legs
3. Inward Swing Glass Door
4. 2" Brass Drain with Overflow

Optional Jetting

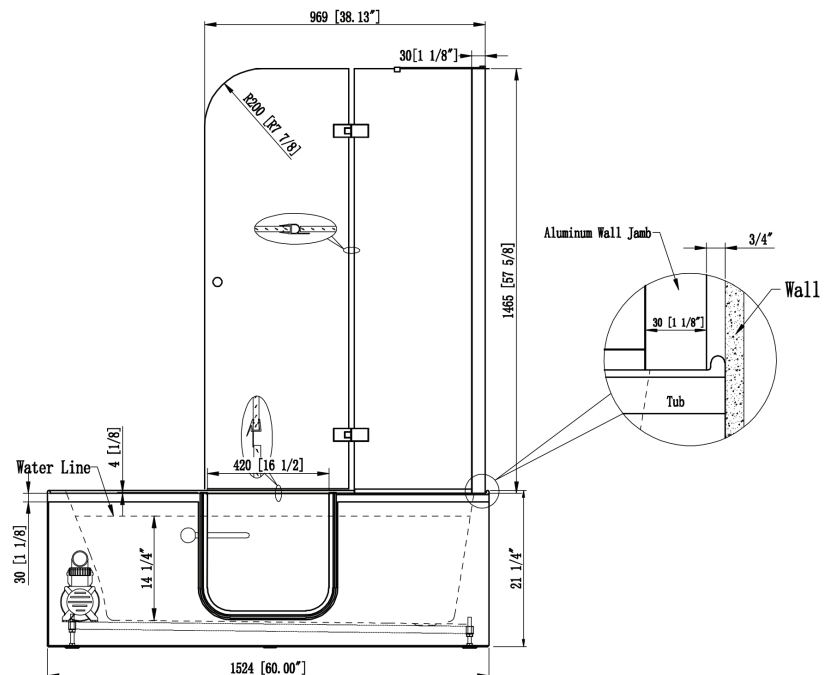
- Hydro Massage System
- 8 Therapeutic Hydro Massage Jets
 - Digital Push Control
 - In-line Water Heater

Air Massage System

- Air Pump
- Push Control On/Off
- 3 Speed & Pulse
- Auto Purge

Optional Features

Shower Screen Glass Door



Warranty

Limited Lifetime warranty for shell, frame, door and 5 year parts warranty

