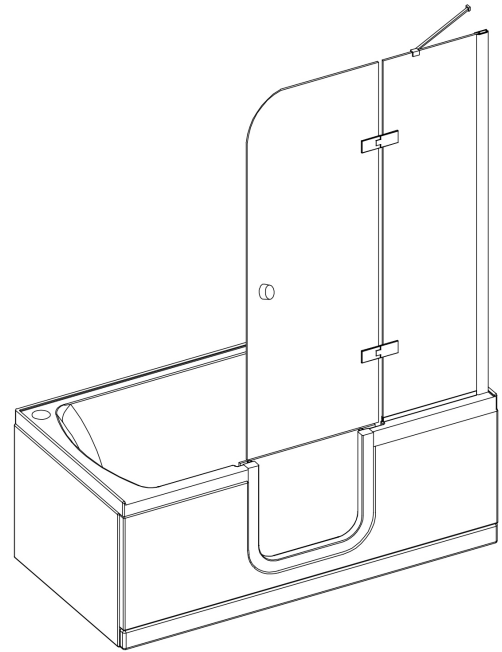


LA3060AS-L



LA3060AS-R

**Included Features**

1. Acrylic Tub Shell:
  - High quality acrylic
  - Excellent color uniformity
  - High Gloss White Finish
2. Stainless Steel Frame with Adjustable Leveling Legs
3. Inward Swing Glass Door
4. Shower Screen Glass Door

**Included Jetting**

- Air Massage System 4.5AMP 486W
- 20 Therapeutic Air Massage Jets
  - Variable 3-Speed Control
  - Push Control
  - Autopurge

**Warranty**

5 year parts warranty  
(please visit [www.ellasbubbles.com](http://www.ellasbubbles.com)  
for more detailed information)

