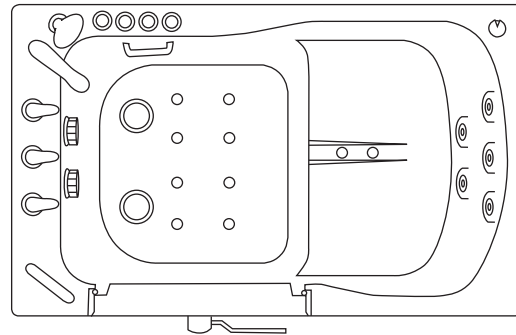


Monaco/Chi

Actual Size: 32x52x42
Seat Width: 23 inches
Shipping Size: 34x55x50
Shipping Weight: 300 lbs.
Net Weight: 220 lbs.
Water Capacity: 95 gal.
Occupied: 55-85 gal.
Drainage Time: +/- 80 sec at ideal home plumbing conditions (occupied)



Included Features

- Acrylic Tub Shell:
 - Gloss White Finish
 - Fiberglass Gelcoat Reinforced
- Stainless Steel Frame with Adjustable Leveling Legs
- Plastic composite tempered glass outward swing door with a 3 latch gear and shaft door mechanism
- Two (2) front and one (1) end reversible, removable access panel
- Stainless steel chrome finish U-shape deck & wall mount grab bars
- Reversible Extension panel, filler for 60" alcove installations

Floor Drains - 2 Options

- Two (2) 2" PVC T-type two (2) outlet drain with Two (2) endcaps included. Two (2) overflows and stainless steel cable operated openers with extended handles for an easier grip in chrome finish
- Two (2) 2" Brass threaded floor drains with copper overflow and cable operated opener with extended handle.

Jetting Options

- Hydro Massage System
 - Hydro Massage Pump 5AMP 600W
 - Hydro massage intensity dial air control In-line water heater 5.5AMP 650W
 - Ozone Sterilization
 - 13 jets
 - On/Off push control
- Air Massage System
 - Air Massage Pump 4.5AMP 486W
 - 3 Speed Pump
 - Autopurge (Activates 20 minutes after pump shutdown)
 - 16 jets
 - On/Off push control
- MicroBubble Therapy System
 - 1HP Pump 10AMP 1200W
 - Pressure Vessel
 - On/Off Push Control

Note: LED Chromatherapy Light .04AMP with On/Off push control comes included with the following packages: Dual (hydro + air), Hydro + Micro.

Available Packages

- Dual Jetting (Air + Hydro) + LED Chromatherapy
- Dual Jetting (Air + Hydro) + Microbubble + LED Chromtherapy
- Hydro Massage (No LED)
- Hydro Massage + Microbubble + LED Chromatherapy
- Microbubble Therapy (No LED)
- Soaking (No LED)

Optional Features

- Heated Seat and Backrest 4AMP 470W
- Aromatherapy
- Digital Controller

Faucet Options

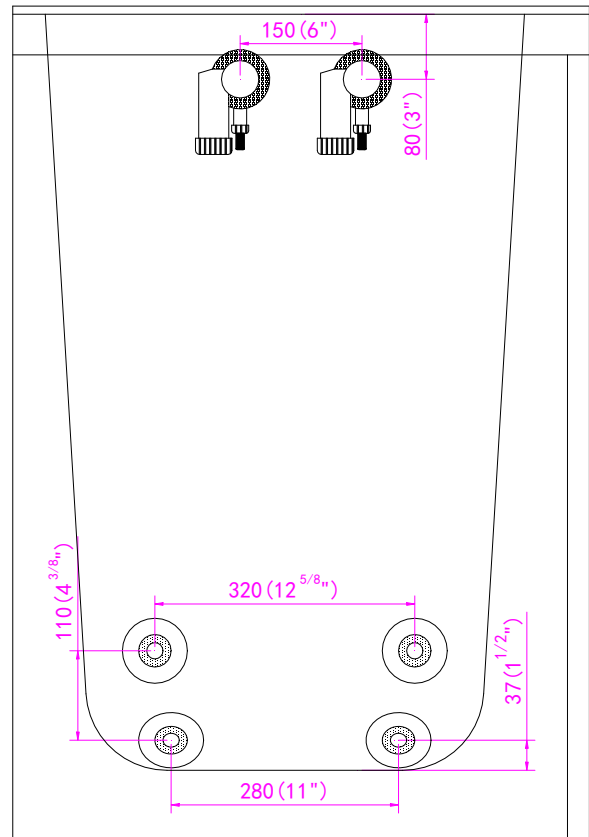
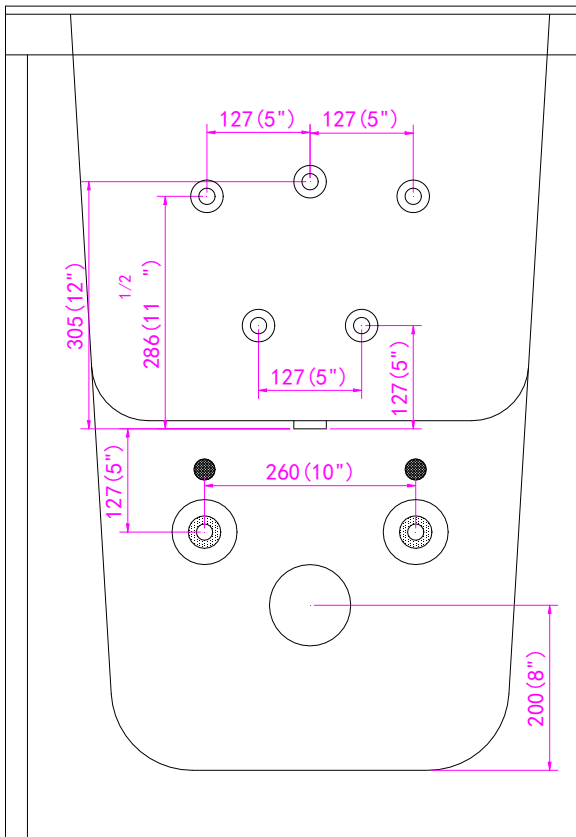
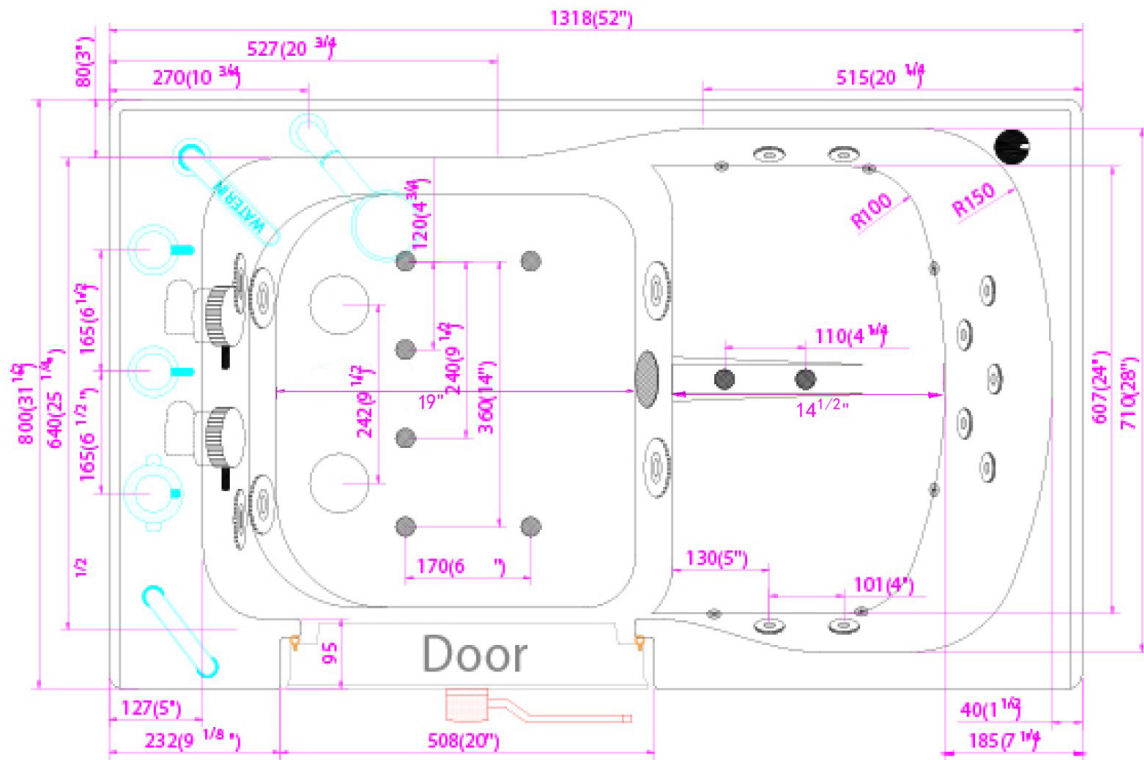
- Five-Piece Fast Fill Faucet Set
 - Up to 18 GPM @ 60 PSI at ideal in home plumbing conditions
 - Two (2) 5' Supply lines with 3/4" connectors
 - Pull out, hand held, chrome plated hand shower with 5 ft. retractable stainless steel braided hose
- Two-Piece Fast Fill Faucet Set
 - Up to 16 GPM @ 60 PSI at ideal in home plumbing conditions
 - Two (2) 5' Supply lines with 3/4" connectors
 - Pull out, hand held, chrome plated hand shower with 5 ft. retractable stainless steel braided hose

Electrical Requirements:

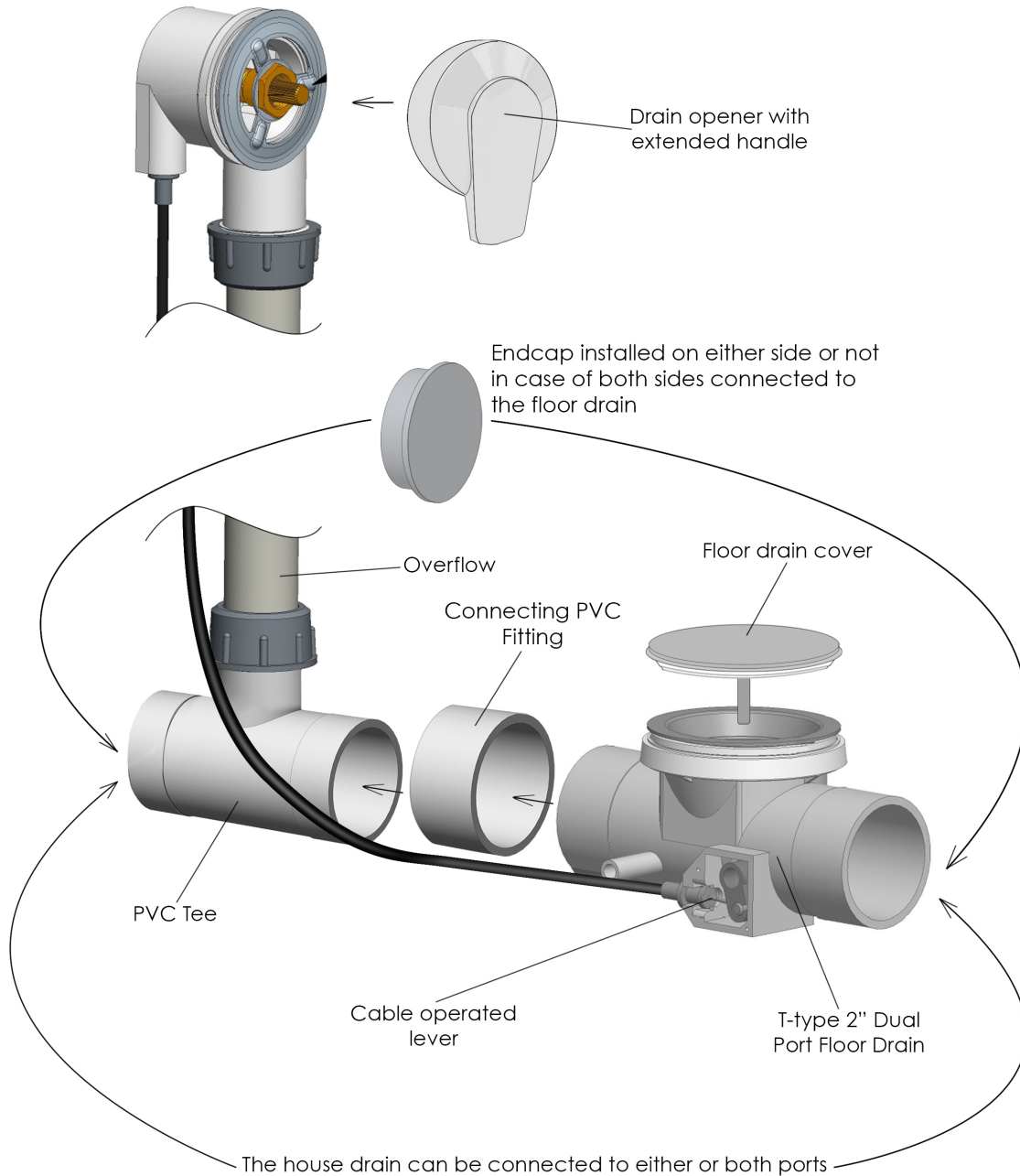
Dedicated GFCI protected electrical line/s required.

Warranty

- Lifetime limited* warranty on shell, frame, door and parts to original purchaser
- Labor or installation is not covered – please refer to Ella warranty certificate
- Thermostatic control valve faucet is covered for 1 year due to water quality
- Non-Ella brand faucets covered under manufacturers original warranty



Dual Drain - two (2) independent floor drains



DESCRIPTION

- Spout - brass chrome finish
- Diverter 3/4" - brass chrome finish
- Hot and cold 3/4" valve - brass chrome finish
- Two (2) water supply lines with 3/4" connectors - 5' long, stainless steel braided
- Handheld shower mixer - PVC chrome finish
- Pull out hand mixer hose - stainless steel braided in chrome finish

Flow

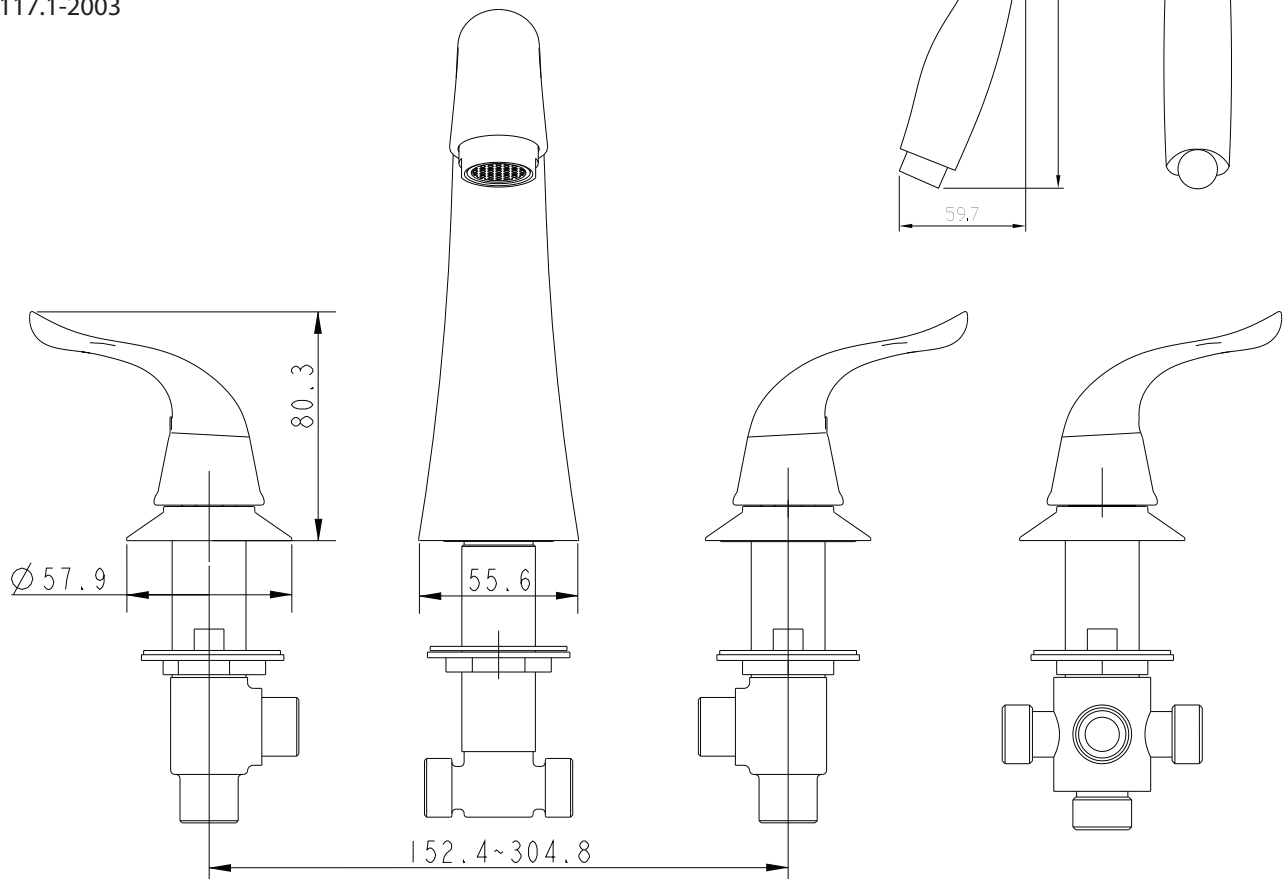
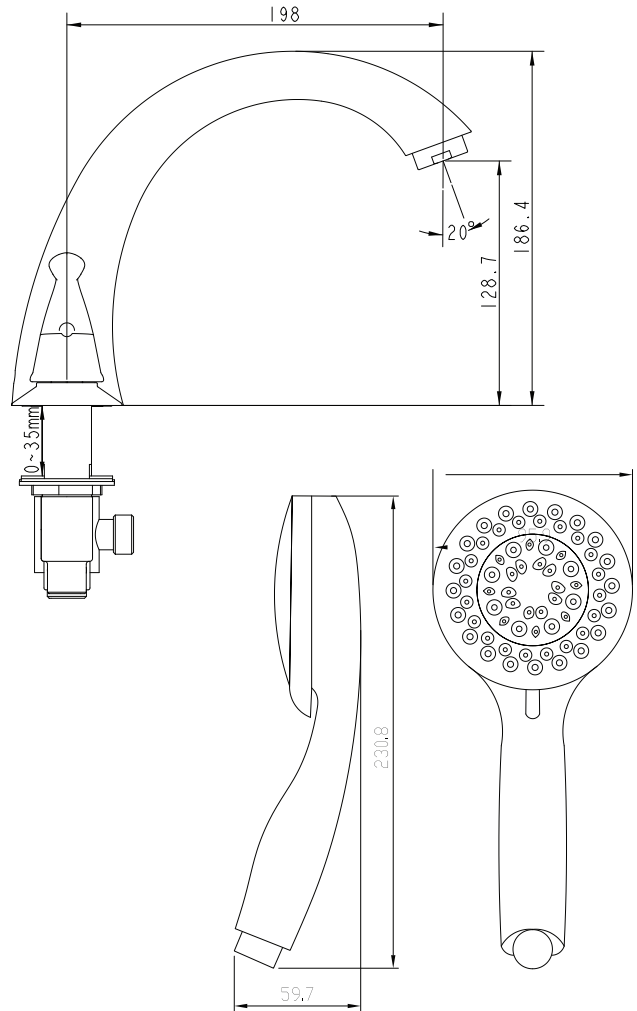
- Faucet - up to 18GPM
- Handheld shower mixer - up to 2GPM

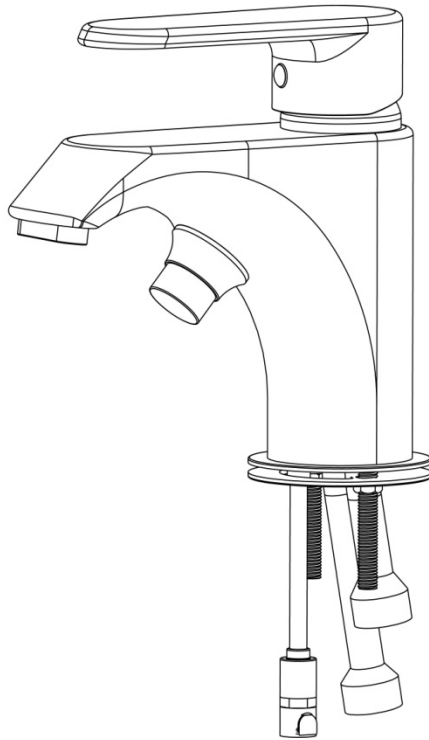
Cartridge

- 40mm and 3/4" outlet high flow cartridge design
- Nonmetallic, nonferrous and stainless-steel material

Standards

Certified to meet
ASME A112.18.1-2012/CSA B125.1-12 ICC/
ANSI A117.1-2003





DESCRIPTION

- Spout with diverter – brass chrome finish
- Single lever high flow valve - brass chrome finish
- Includes 5 option adjustable hand shower mixer - PVC chrome finish
- Pull out hand mixer hose stainless steel braided in chrome finish
- Two (2) water supply lines with 3/4" IPS connectors, 5' long - stainless steel braided

G.W: 7.75 kg / 17 lbs.

NOTE: THIS FAUCET IS DESIGNED TO BE INSTALLED THRU:

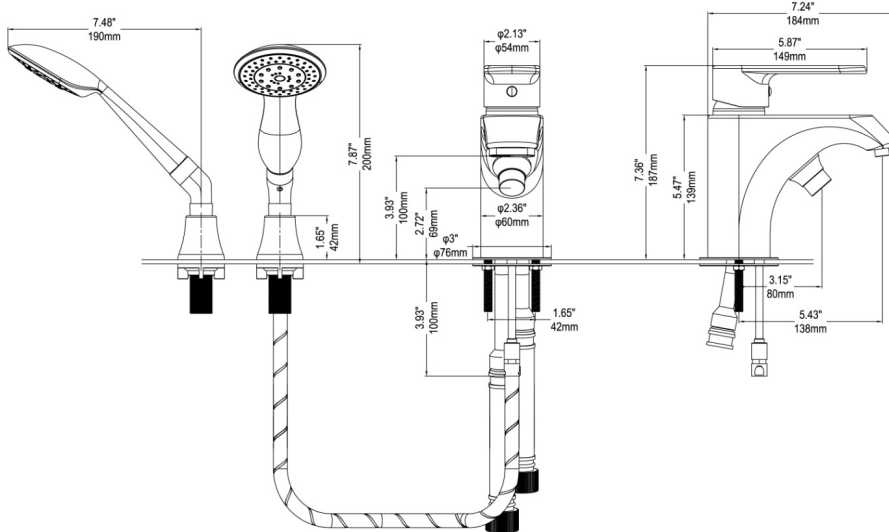
- 2-1/2" DIA. HOLE FOR FAUCET
- 1/3" DIA. HOLE FOR MOUNTING RODS
- 7/8" DIA. HOLE FOR HAND SHOWER

OPERATION

- Pivot action lever style handle
- Temperature controlled through 180° degree arc of handle travel

FLOW

- Faucet – up to 18GPM
- Handheld shower mixer – up to 2GPM



CARTRIDGE

- 40mm high flow cartridge design
- Nonmetallic/nonferrous and stainless steel material

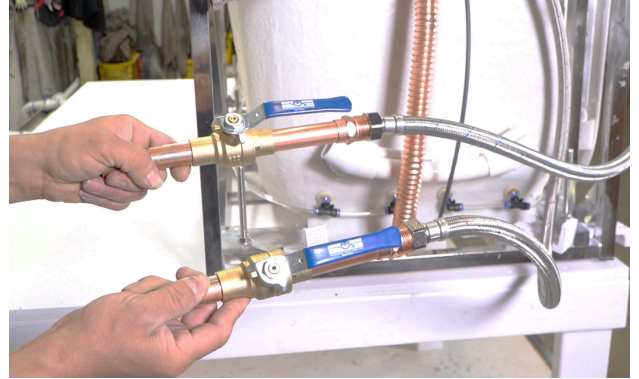
STANDARDS

- Third party certified to meet: CSA B-125.1, ASME A112.18.1, ICC 117.1 and all applicable requirements referenced therein
- Certified to ANSI/NSF 61/9
- ADA for lever handle
- IAPMO R&T UPC certified

Two 3/4" connector water supply lines included with Ella Fast Fill Faucets.



Connect to Shut
Off Valves
(not included)



All electrical
fixtures connect
to a dedicated
GFCI protected
outlet.



T-Type four (4) 2" drain ports
allow for the drain pipe to be
installed in either direction.

Use drain cap to
close unused
drain port.

