

## Lounger

**Actual Size:** 27x59x42

**Seat Width:** 19.5 inches

**Shipping Size:** 29x60x50

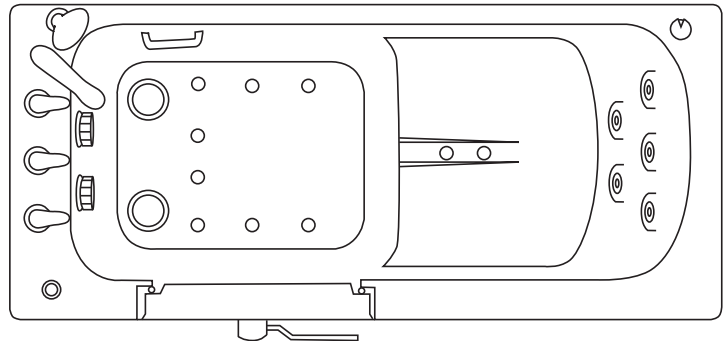
**Shipping Weight:** 295 lbs.

**Net Weight:** 215 lbs.

**Water Capacity:** 85 gal.

**Occupied:** 45-65 gal.

**Drainage Time:** +/- 80 sec at ideal  
home plumbing conditions  
(occupied)



### Available Packages

1. Dual Jetting ( Air + Hydro) + LED Chromatherapy
2. Dual Jetting ( Air + Hydro) + Microbubble + LED Chromtherapy
3. Hydro Massage (No LED)
4. Hydro Massage + Microbubble + LED Chromatherapy
5. Microbubble Therapy (No LED)
6. Soaking (No LED)

### Optional Features

1. Heated Seat and Backrest 4AMP 470W
2. Aromatherapy
3. Digital Controller

### Faucet Options

1. Five-Piece Fast Fill Faucet Set
  - Up to 18 GPM @ 60 PSI at ideal in home plumbing conditions
  - Two (2) 5' Supply lines with 3/4" connectors
  - Pull out, hand held, chrome plated hand shower with 5 ft. retractable stainless steel braided hose
2. Two-Piece Fast Fill Faucet Set
  - Up to 16 GPM @ 60 PSI at ideal in home plumbing conditions
  - Two (2) 5' Supply lines with 3/4" connectors
  - Pull out, hand held, chrome plated hand shower with 5 ft. retractable stainless steel braided hose

### Electrical Requirements:

Dedicated GFCI protected electrical line/s required.

### Warranty

- Lifetime limited\* warranty on shell, frame, door and parts to original purchaser
- Labor or installation is not covered – please refer to Ella warranty certificate
- Thermostatic control valve faucet is covered for 1 year due to water quality
- Non-Ella brand faucets covered under manufacturers original warranty

### Included Features

1. Acrylic Tub Shell:
  - Gloss White Finish
  - Fiberglass Gelcoat Reinforced
2. Stainless Steel Frame with Adjustable Leveling Legs
3. Plastic composite tempered glass outward swing door with a 3 latch gear and shaft door mechanism
4. Two (2) front and one (1) end reversible, removable access panel
5. Stainless steel chrome finish wall mount grab bar
6. Reversible Extension panel, filler for 60" alcove installations

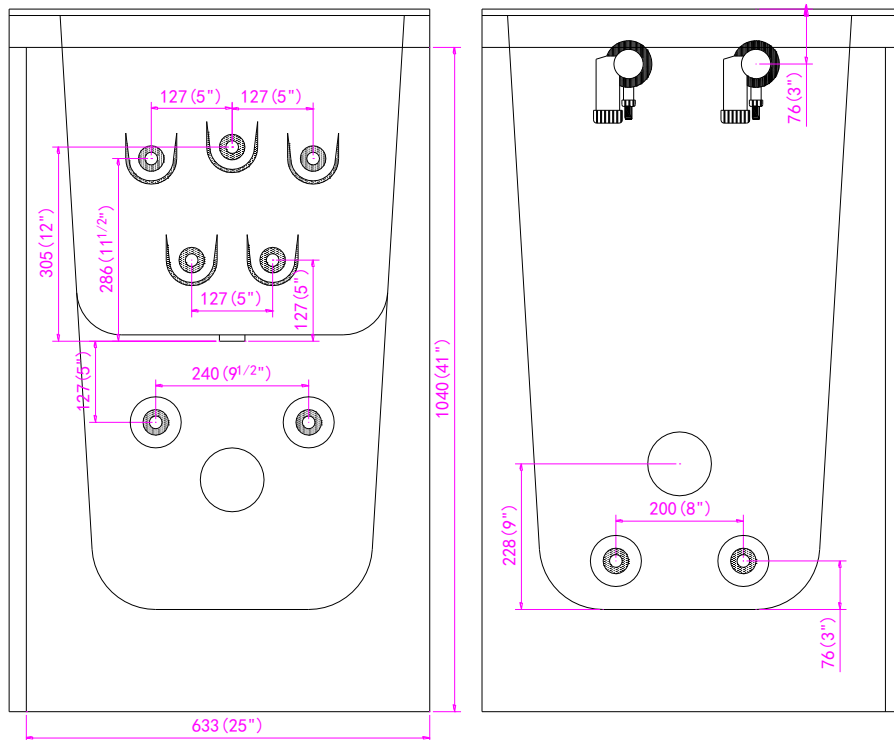
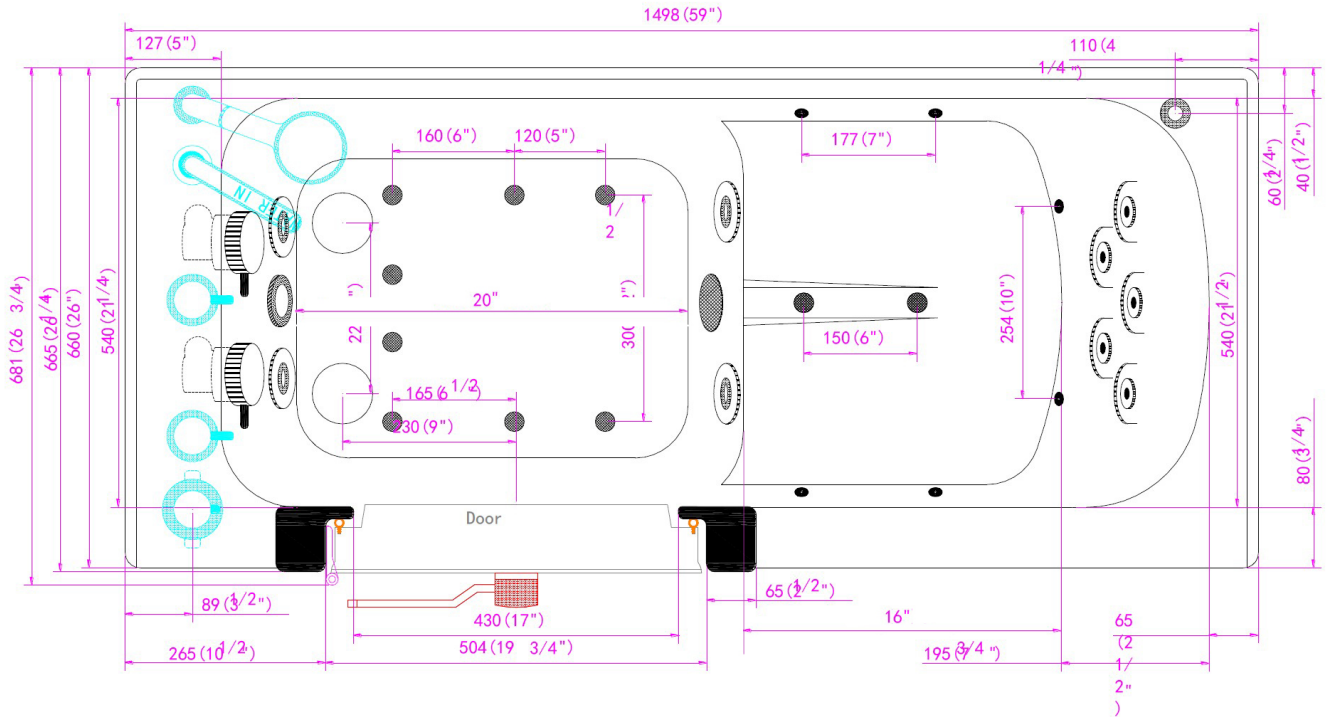
### Floor Drains - 2 Options

1. Two (2) 2" PVC T-type two (2) outlet drain with Two (2) endcaps included. Two (2) overflows and stainless steel cable operated openers with extended handles for an easier grip in chrome finish
2. Two (2) 2" Brass threaded floor drains with copper overflow and cable operated opener with extended handle.

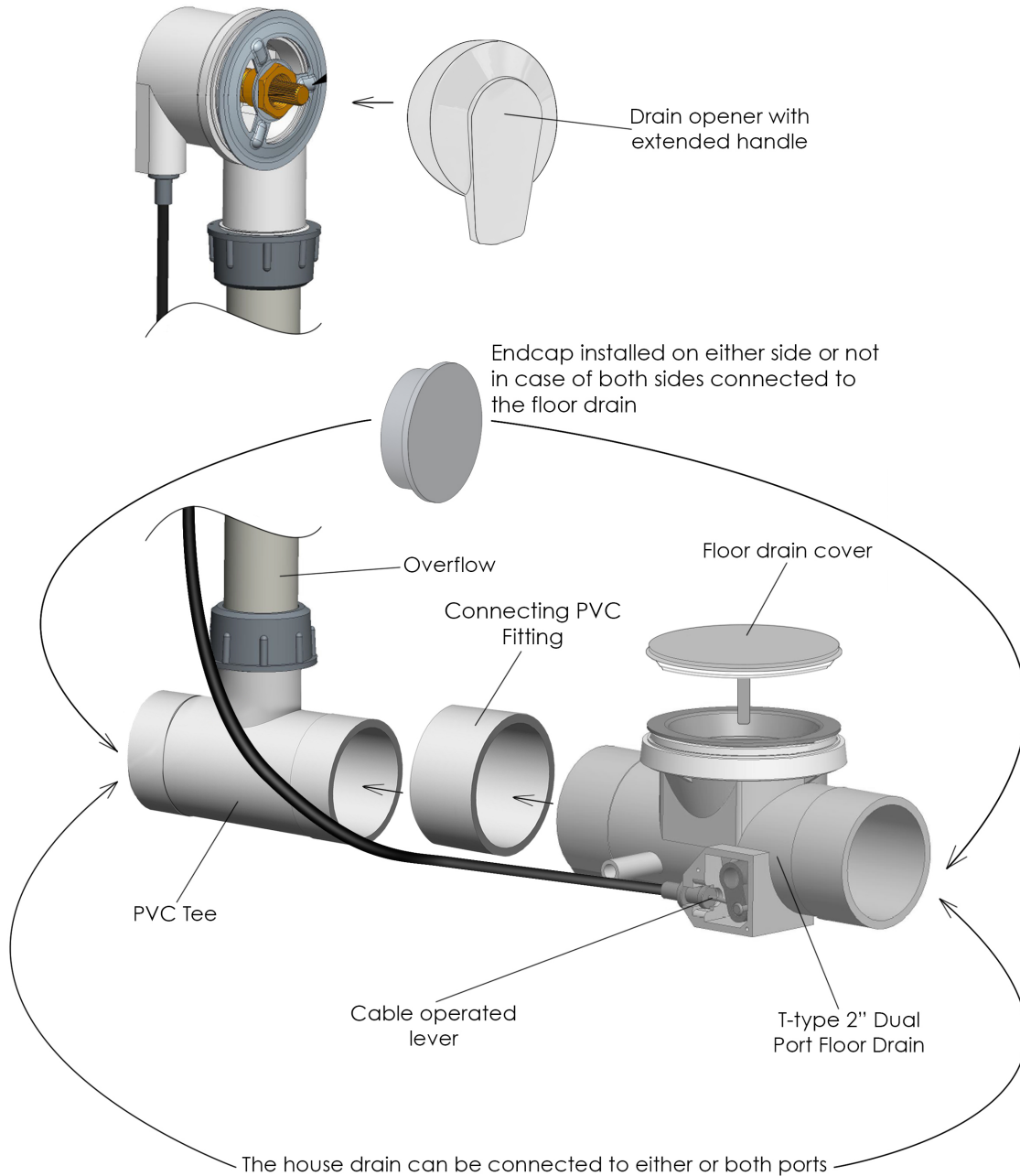
### Jetting Options

1. Hydro Massage System
  - Hydro Massage Pump 5AMP 600W
  - Hydro massage intensity dial air control In-line water heater 5.5AMP 650W
  - Ozone Sterilization
  - 9 jets
  - On/Off push control
2. Air Massage System
  - Air Massage Pump 4.5AMP 486W
  - 3 Speed Pump
  - Autopurge (Activates 20 minutes after pump shutdown)
  - 14 jets
  - On/Off push control
3. MicroBubble Therapy System
  - 1HP Pump 10AMP 1200W
  - Pressure Vessel
  - On/Off Push Control

Note: LED Chromatherapy Light .04AMP with On/Off push control comes included with the following packages: Dual (hydro + air), Hydro + Micro.



## Dual Drain - two (2) independent floor drains



**DESCRIPTION**

- Spout - brass chrome finish
- Diverter 3/4" - brass chrome finish
- Hot and cold 3/4" valve - brass chrome finish
- Two (2) water supply lines with 3/4" connectors - 5' long, stainless steel braided
- Handheld shower mixer - PVC chrome finish
- Pull out hand mixer hose - stainless steel braided in chrome finish

**Flow**

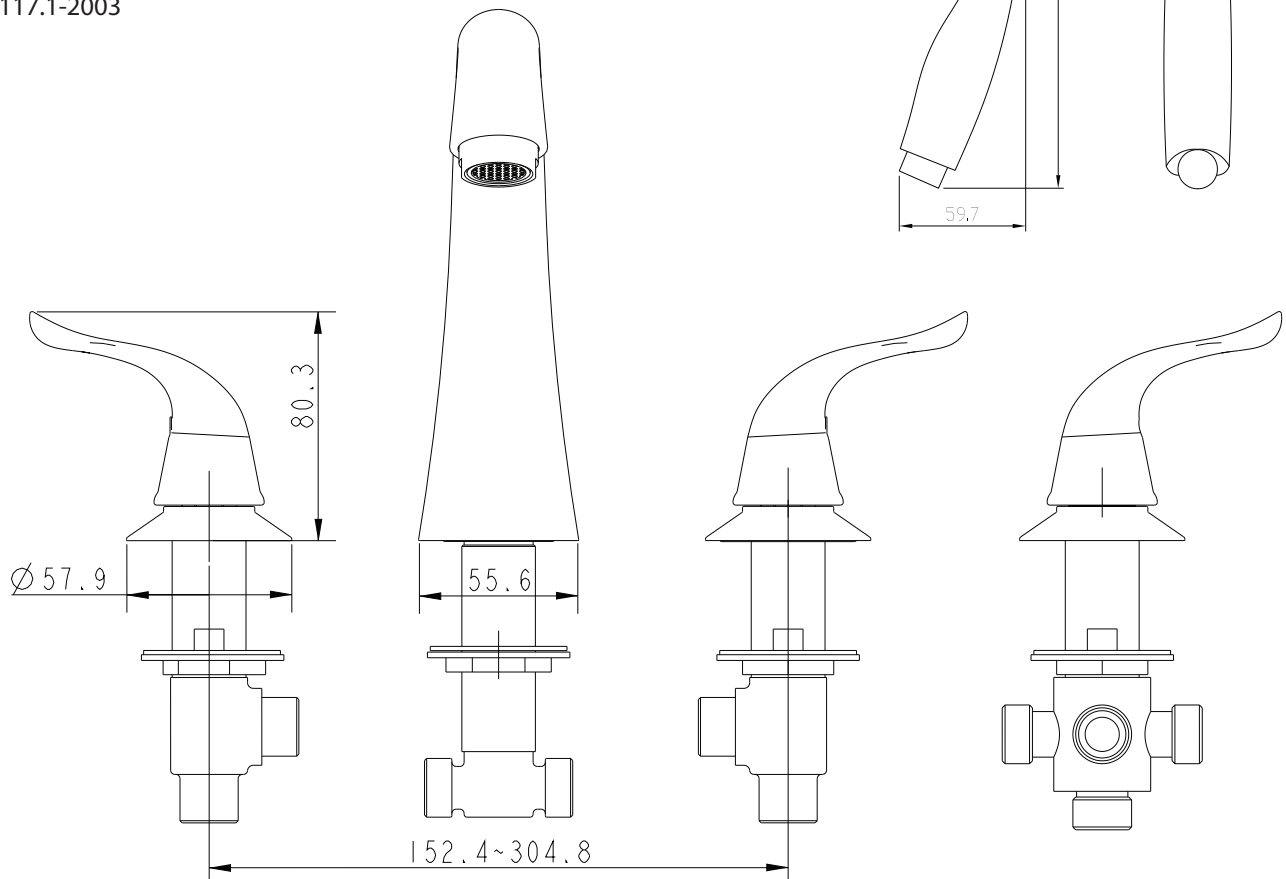
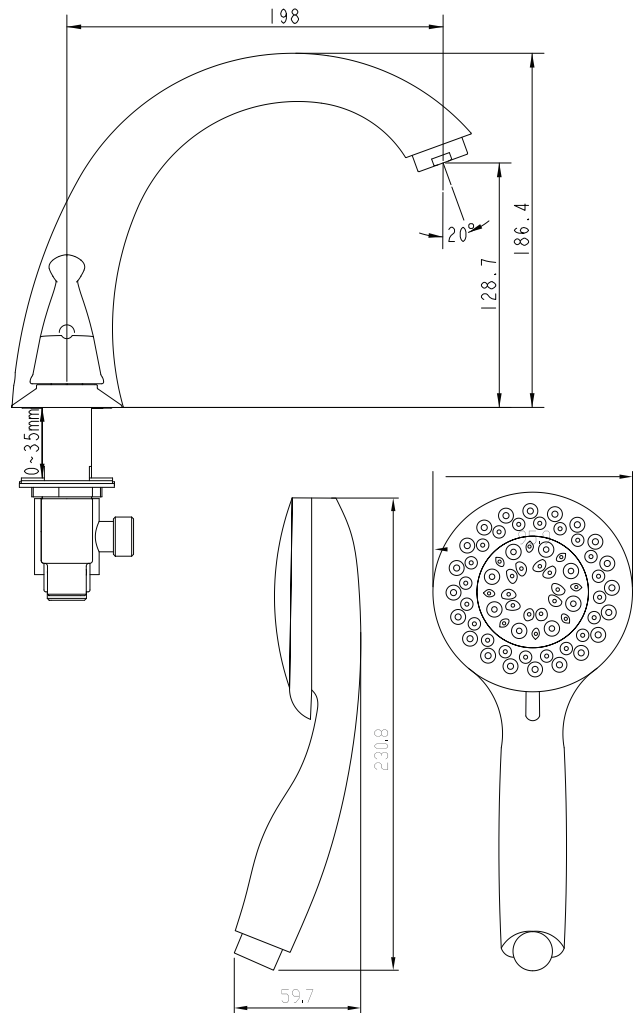
- Faucet - up to 18GPM
- Handheld shower mixer - up to 2GPM

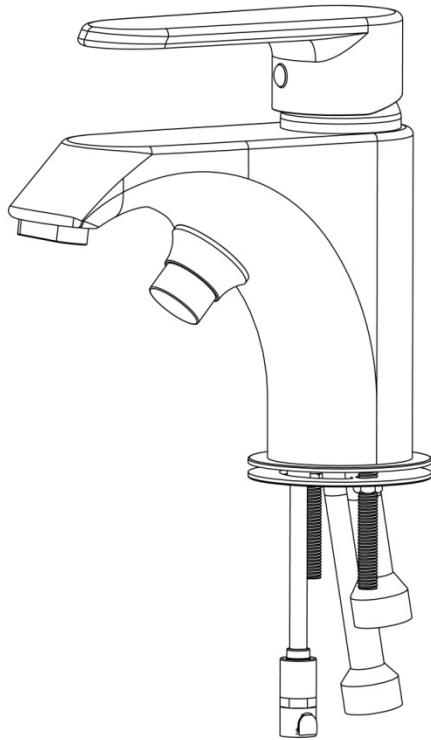
**Cartridge**

- 40mm and 3/4" outlet high flow cartridge design
- Nonmetallic, nonferrous and stainless-steel material

**Standards**

Certified to meet  
ASME A112.18.1-2012/CSA B125.1-12 ICC/  
ANSI A117.1-2003





## DESCRIPTION

- Spout with diverter – brass chrome finish
- Single lever high flow valve - brass chrome finish
- Includes 5 option adjustable hand shower mixer - PVC chrome finish
- Pull out hand mixer hose stainless steel braided in chrome finish
- Two (2) water supply lines with 3/4" IPS connectors, 5' long - stainless steel braided

G.W: 7.75 kg / 17 lbs.

**NOTE:** THIS FAUCET IS DESIGNED TO BE INSTALLED THRU:

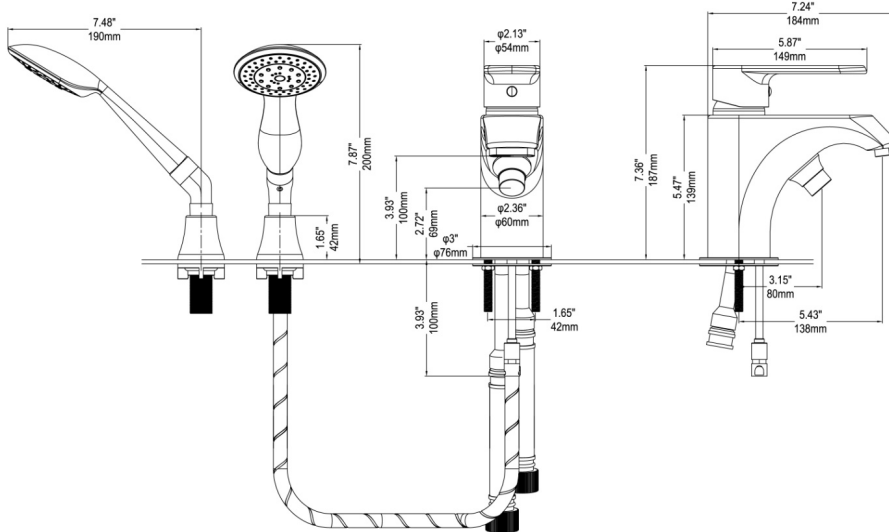
- 2-1/2" DIA. HOLE FOR FAUCET
- 1/3" DIA. HOLE FOR MOUNTING RODS
- 7/8" DIA. HOLE FOR HAND SHOWER

## OPERATION

- Pivot action lever style handle
- Temperature controlled through 180° degree arc of handle travel

## FLOW

- Faucet – up to 18GPM
- Handheld shower mixer – up to 2GPM



## CARTRIDGE

- 40mm high flow cartridge design
- Nonmetallic/nonferrous and stainless steel material

## STANDARDS

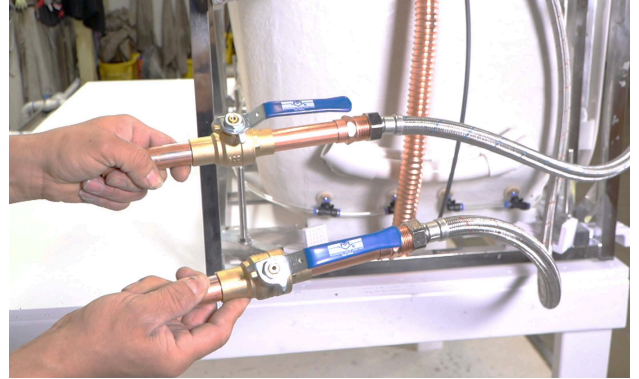
- Third party certified to meet: CSA B-125.1, ASME A112.18.1, ICC 117.1 and all applicable requirements referenced therein
- Certified to ANSI/NSF 61/9
- ADA for lever handle
- IAPMO R&T UPC certified



Two 3/4" connector water supply lines included with Ella Fast Fill Faucets.



Connect to Shut  
Off Valves  
(not included)



All electrical  
fixtures connect  
to a dedicated  
GFCI protected  
outlet.



T-Type four (4) 2" drain ports  
allow for the drain pipe to be  
installed in either direction.

Use drain cap to  
close unused  
drain port.

