

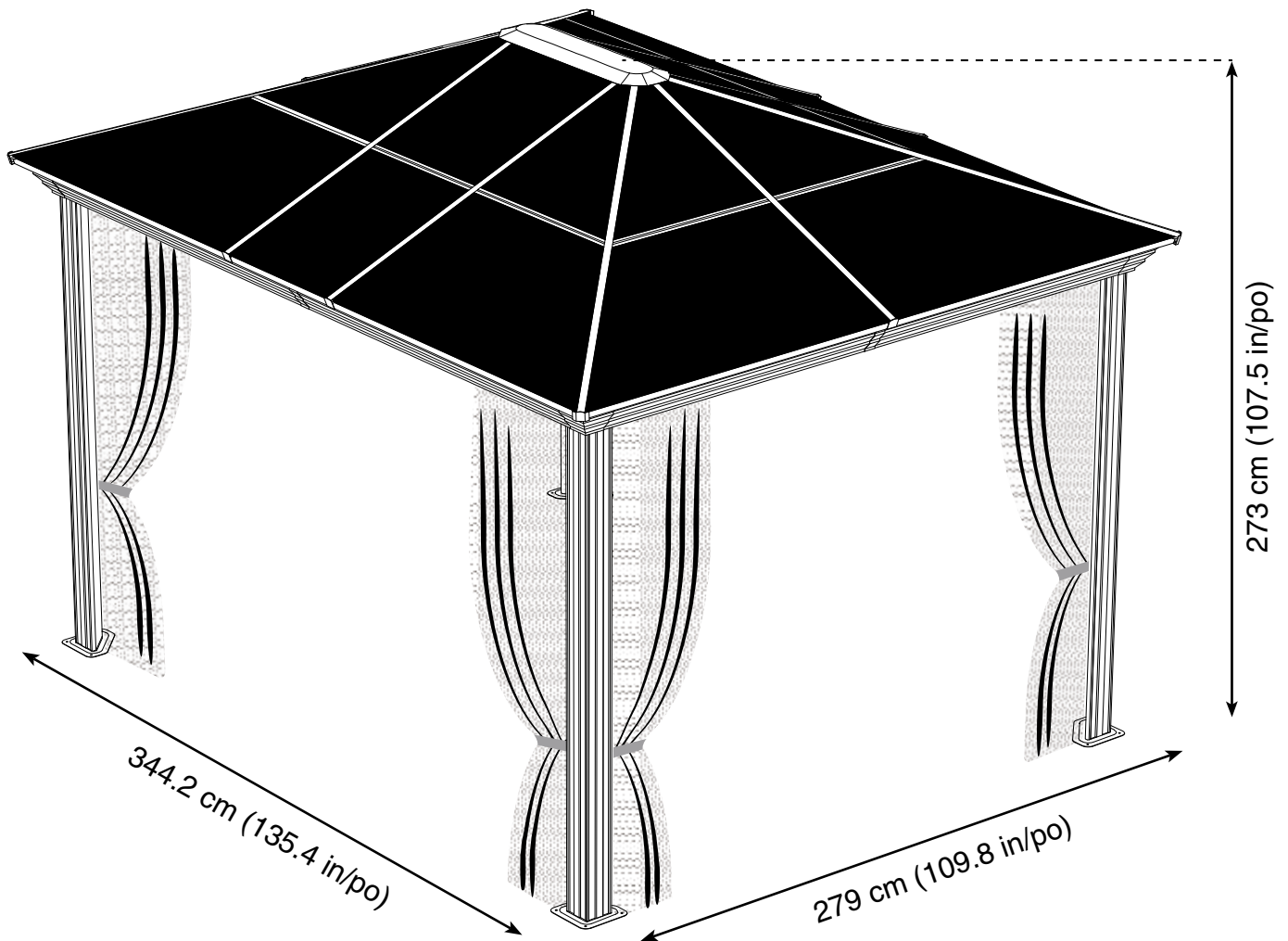
SOJAG

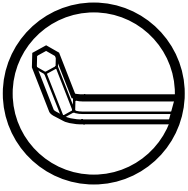


QUESTIONS? 1-866-901-1649

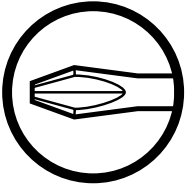
produits saisonniers • seasonal products

Assembly Manual / Guide d'assemblage / Manual de ensamblaje / 조립설명서 / Montageanleitung

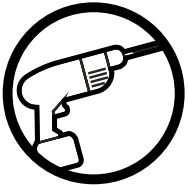




Use the hex keys in the box. / Utilisez les clés hexagonales fournies dans la boîte. /
Utilice las llaves hexagonales en la caja. / 상자에 육각 키를 사용 하십시오. / Verwenden Sie
die Sechskantschlüssel in der Box.



Please use a Phillips screwdriver. / Utilisez un tournevis de type Phillips / Por favor,
use un destornillador Phillips. / 십자 드라이버를 사용 하십시오. / Bitte verwenden
Sie einen Kreuzschraubenzieher.



You may need to use a drill for this step. / Vous pouvez avoir besoin d'utiliser une
perceuse pour cette étape. / Puede que tenga que utilizar un taladro para este paso. /
이 단계에선 드릴을 사용해야 할 수도 있습니다. / Für diesen Schritt können Sie einen
Bohrer verwenden.



Wearing protective gloves is recommended. / Le port de gants de protection est recommandé /
El uso de guantes de protección se recomienda. / 보호 장갑을 착용 하는 것이 좋습니다. /
Das Tragen von Schutzhandschuhen wird empfohlen.



Two or more people are required at this stage. / Deux personnes ou plus sont nécessaires à cette
étape. / Dos o más personas se requieren en esta etapa. / 이 단계에서는 두 명 이상 이 필요합니다. /
Für diesen Bauschritt sind 2 oder mehr Personen erforderlich.

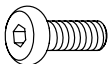


Do not tighten screws all the way for now. / Ne pas visser fermement pour l'instant. /
No atornille con firmeza por ahora. / 아직 나사를 단단히 조이지 마십시오. / Bitte die
Schrauben zum jetzigen Zeitpunkt noch nicht fest anziehen.

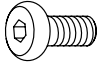


Sold separately. / Vendus séparément. / vendido en las opciones. /
옵션 판매 / Optional erhältlich


U X58(+6)



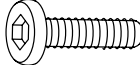
U1 X20(+4)



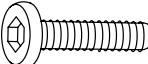
U2 X2(+1)




V X16(+3)



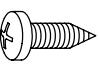
V1 X1(+1)



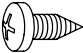
W X8(+2)



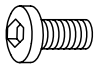
X X24(+6)



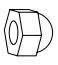
X1 X20(+4)



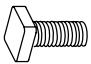
X2 X16(+4)



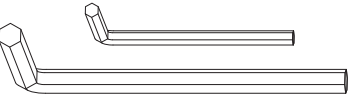
Y X20(+4)



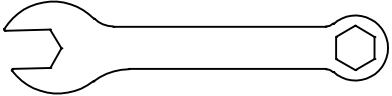
Y1 X10(+2)

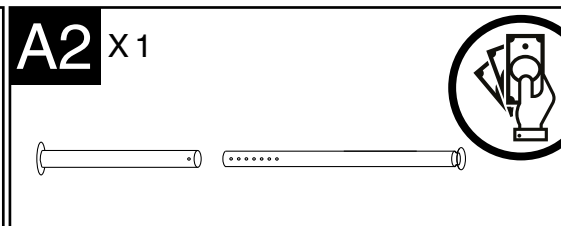
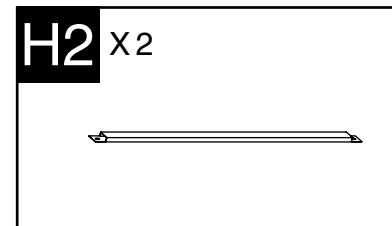
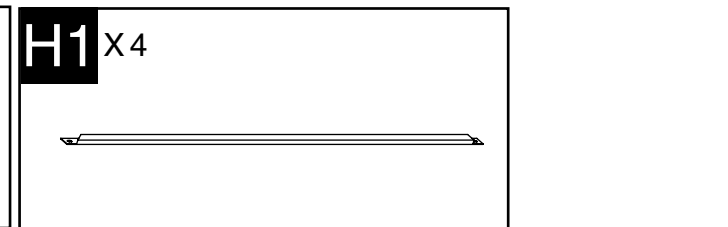
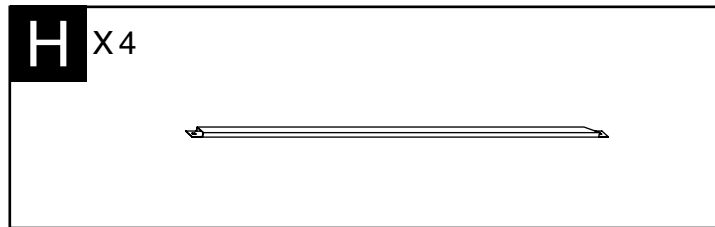
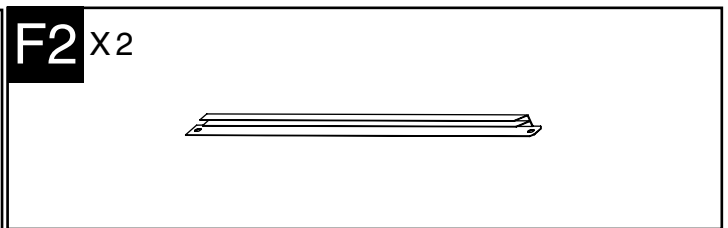
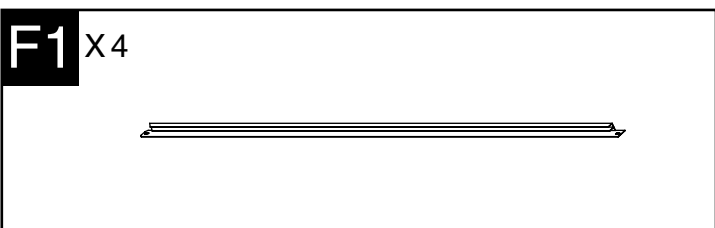
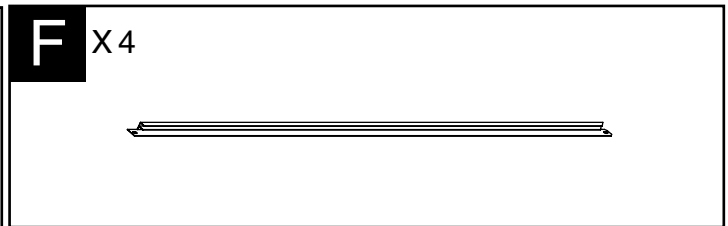
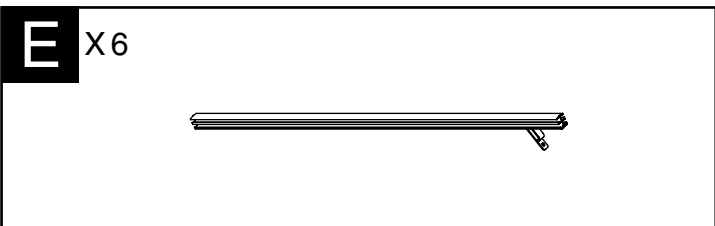
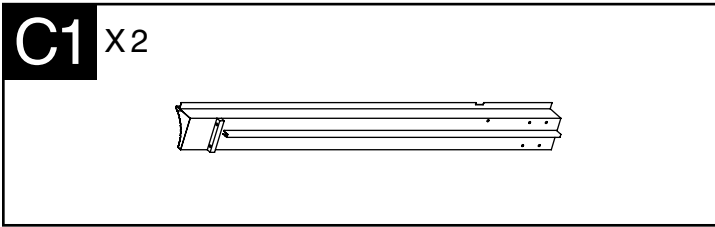
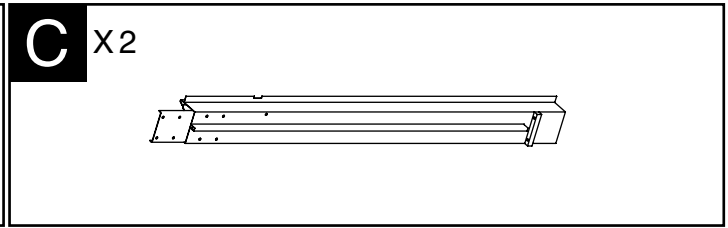
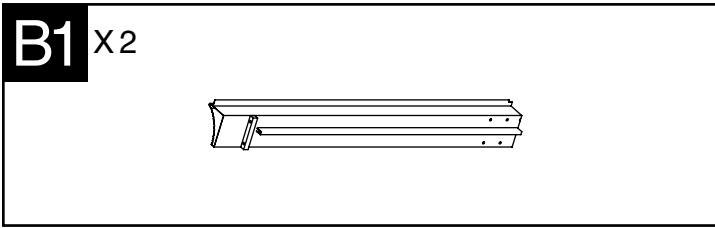
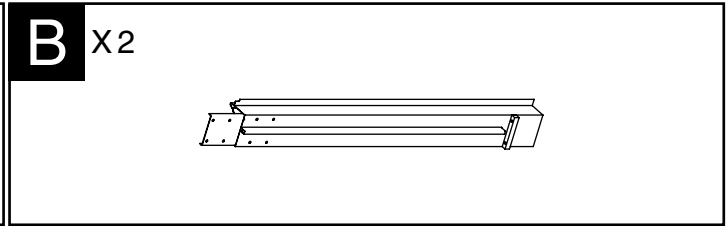
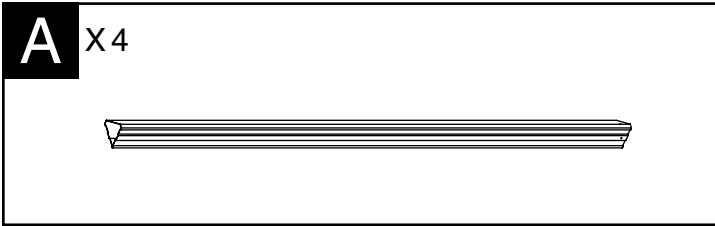


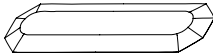
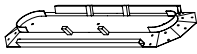

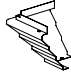






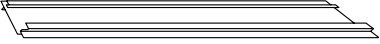

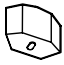






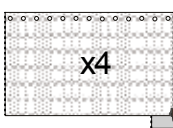


Z X1

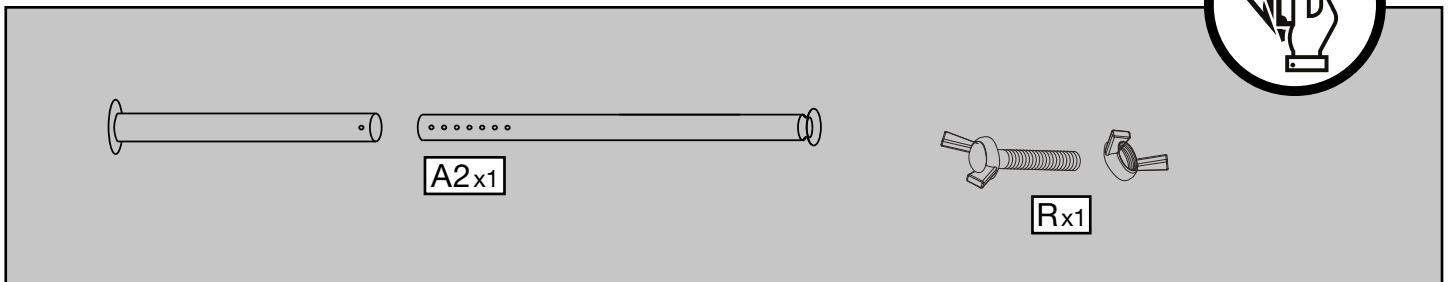
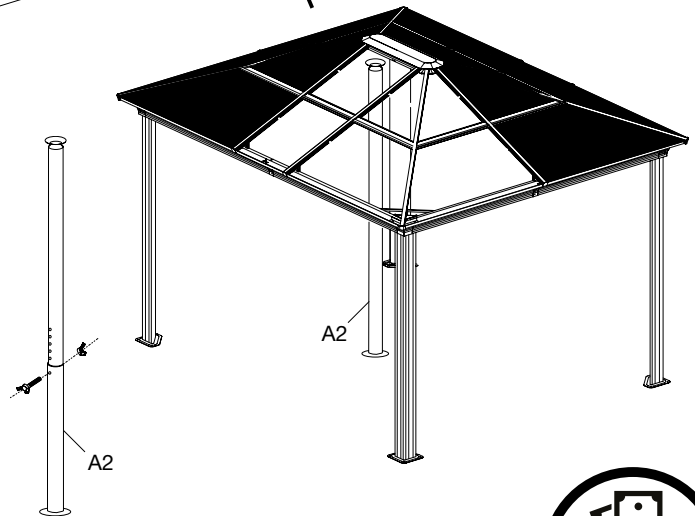
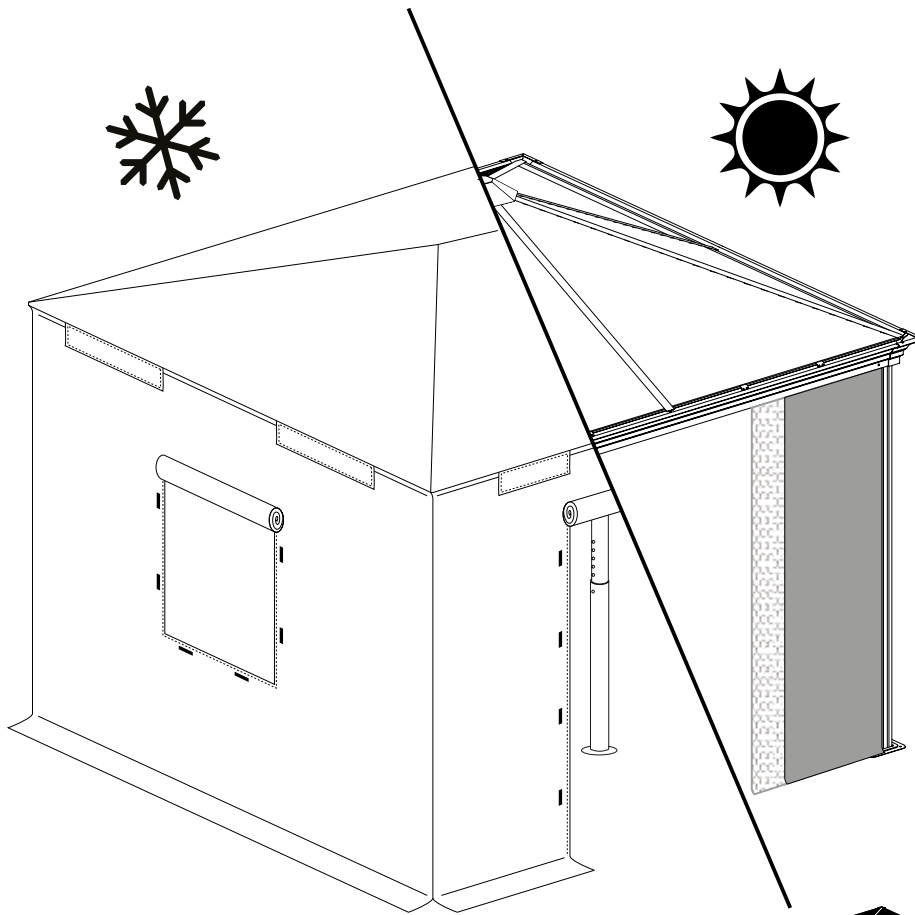


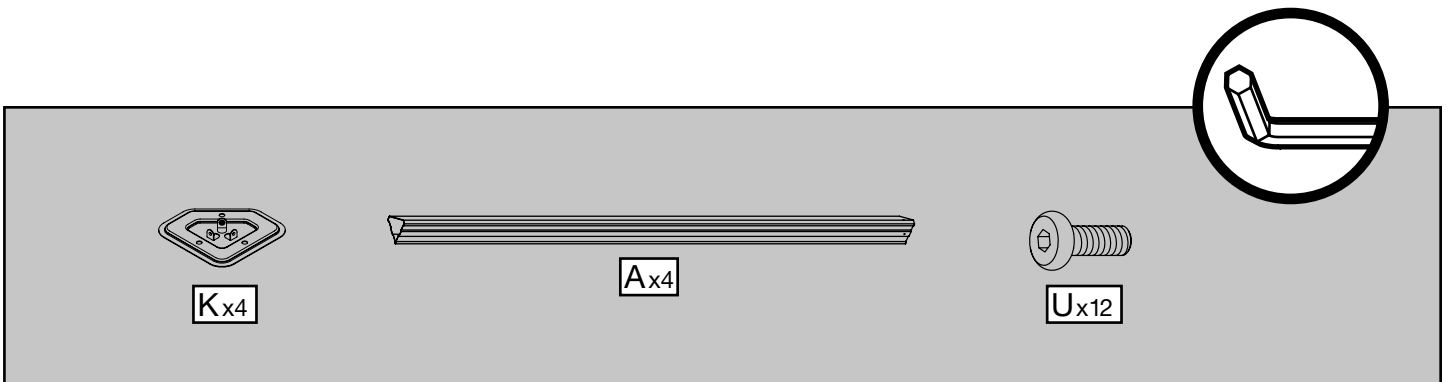
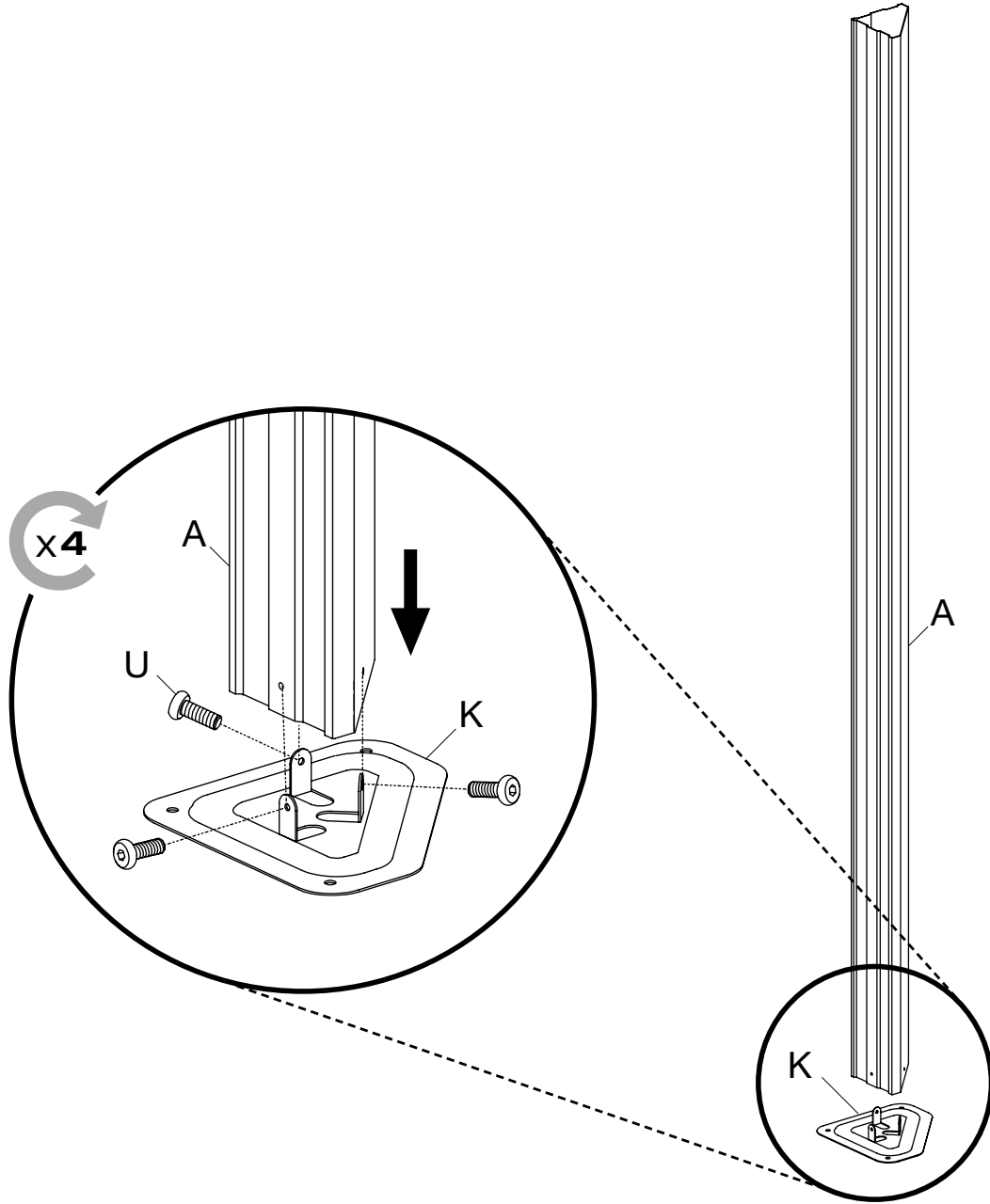
Z1 X2

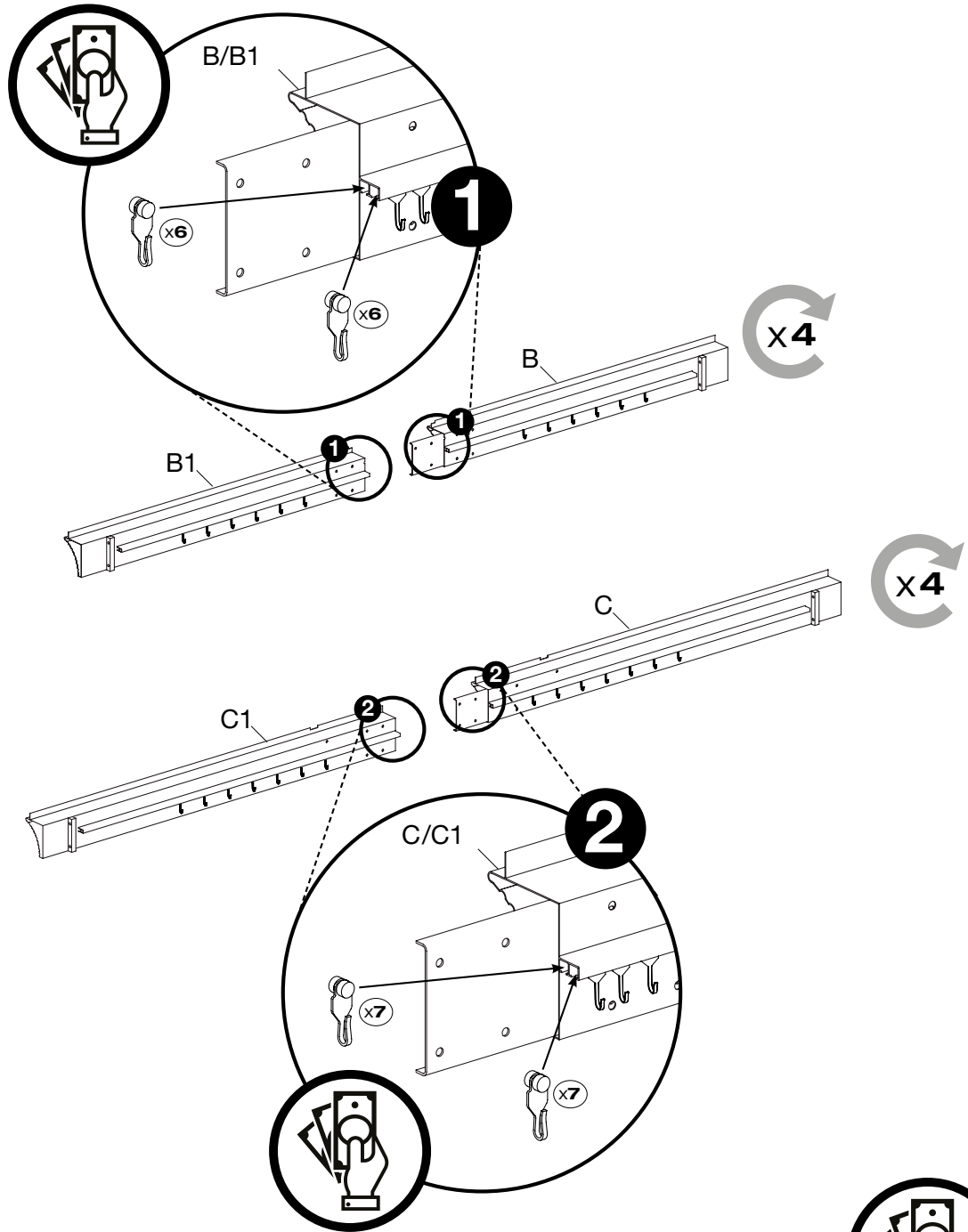











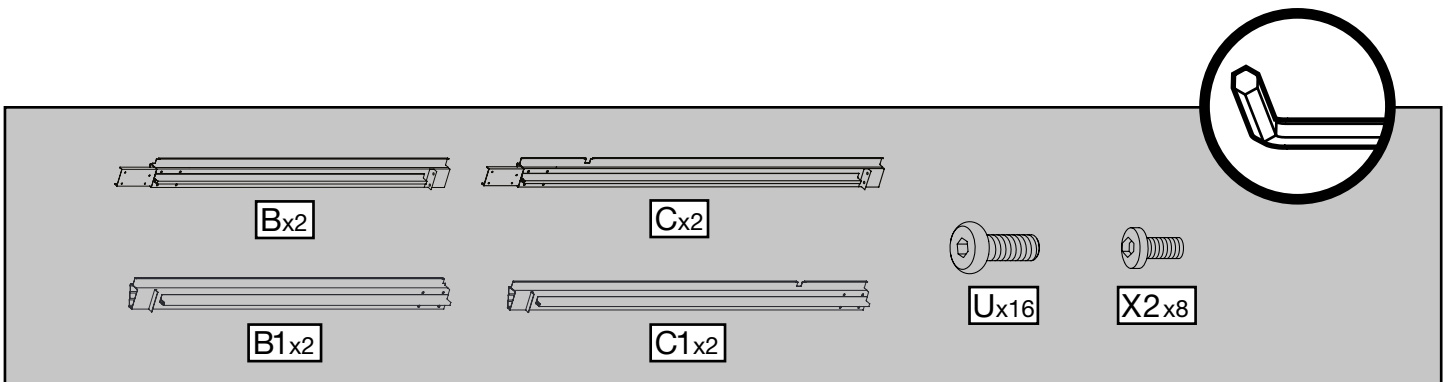
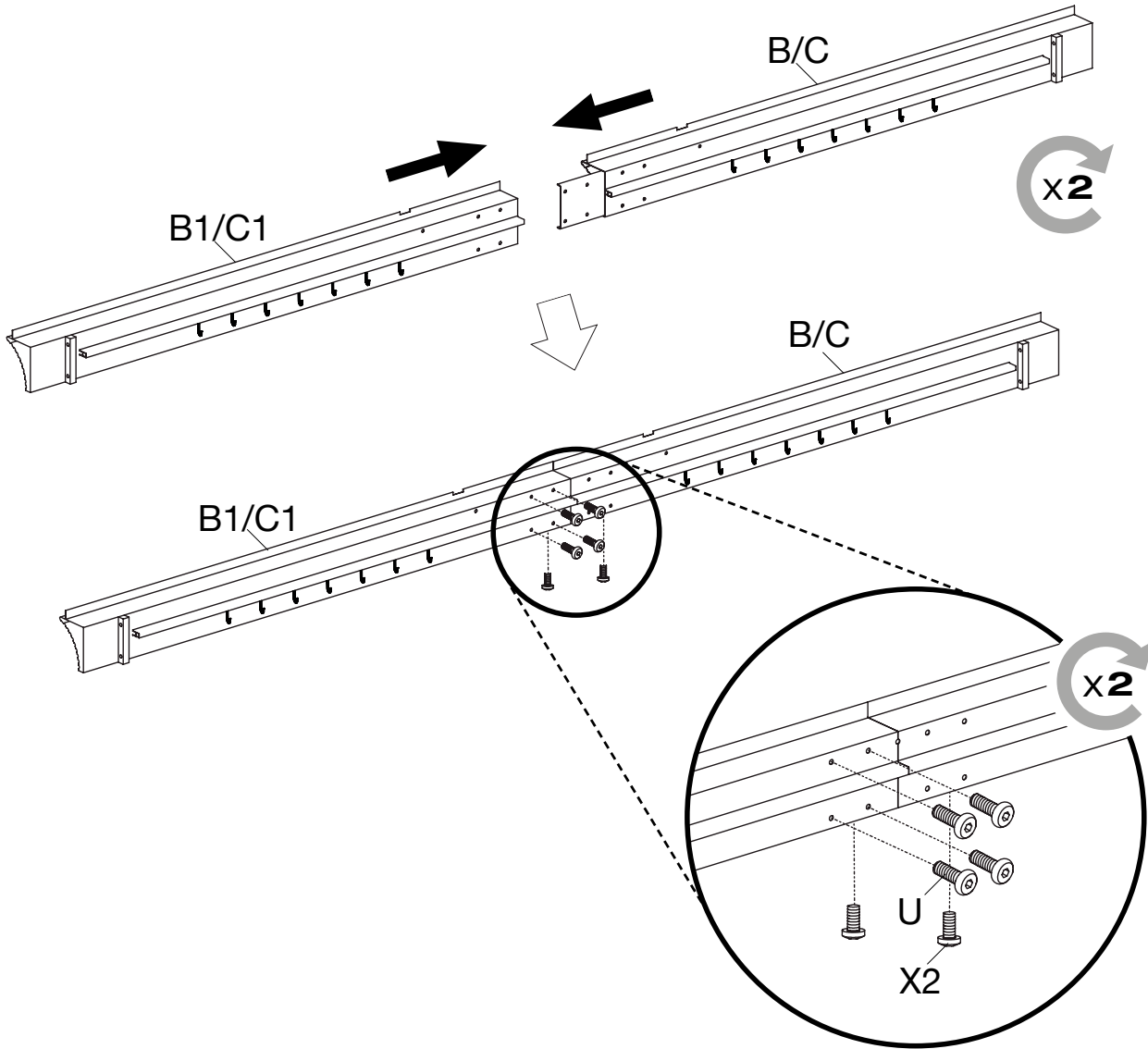
J X1 	J1 X1 
K X4 	L X4 
L1 X4 	Ma X4 
M1a X4 	Mb X4 
M1b X4 	N X4 
N1 X4 	N2 X2 
O X4 	O1 X6 
P X2 	P1 X2 
Q X4 	RR X52     

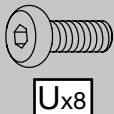
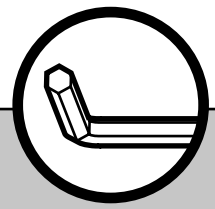
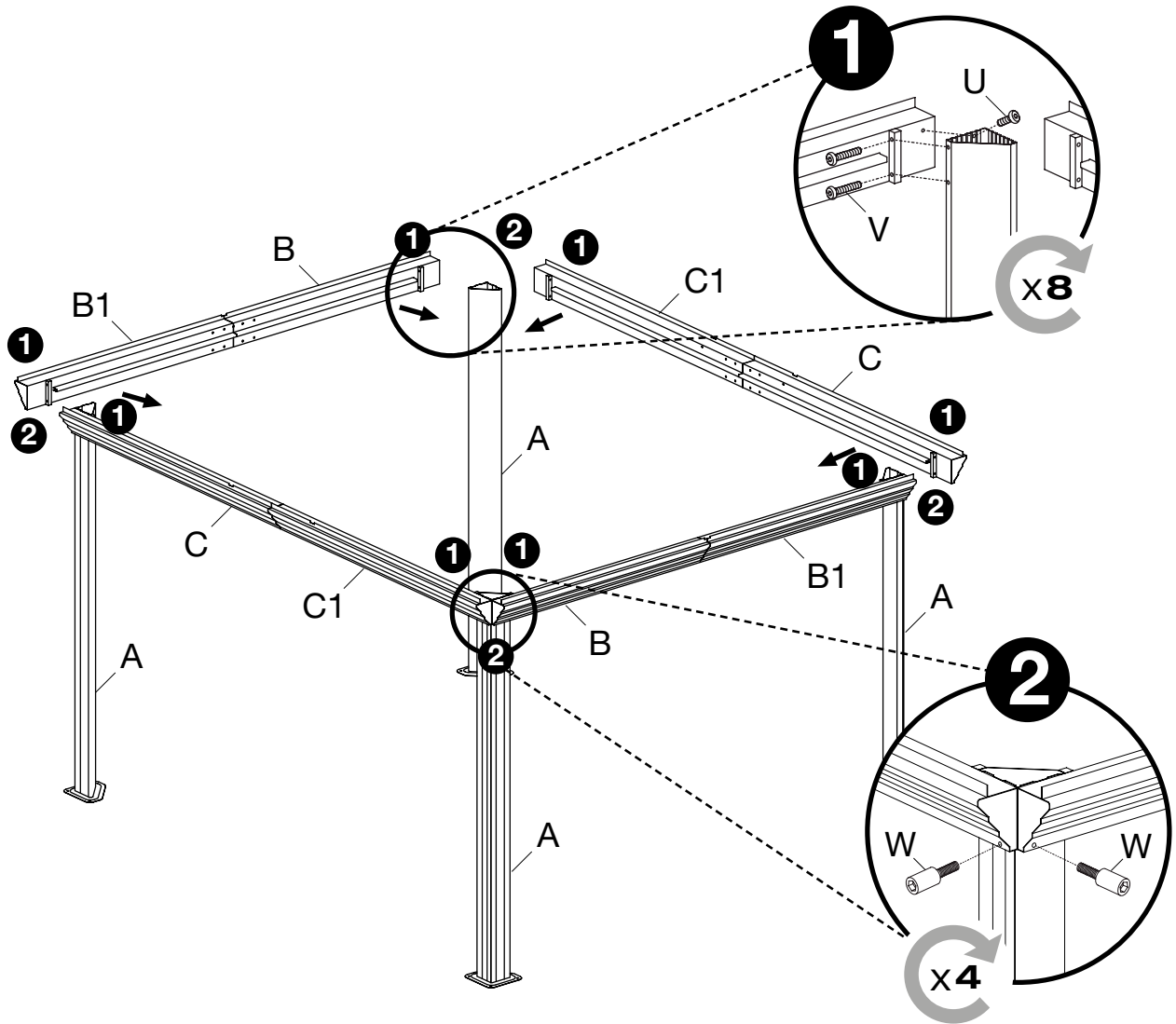




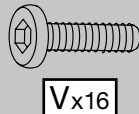


 Bx2	 Cx2	 RRx52	 x4
 B1x2	 C1x2	 RRx52	

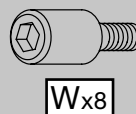




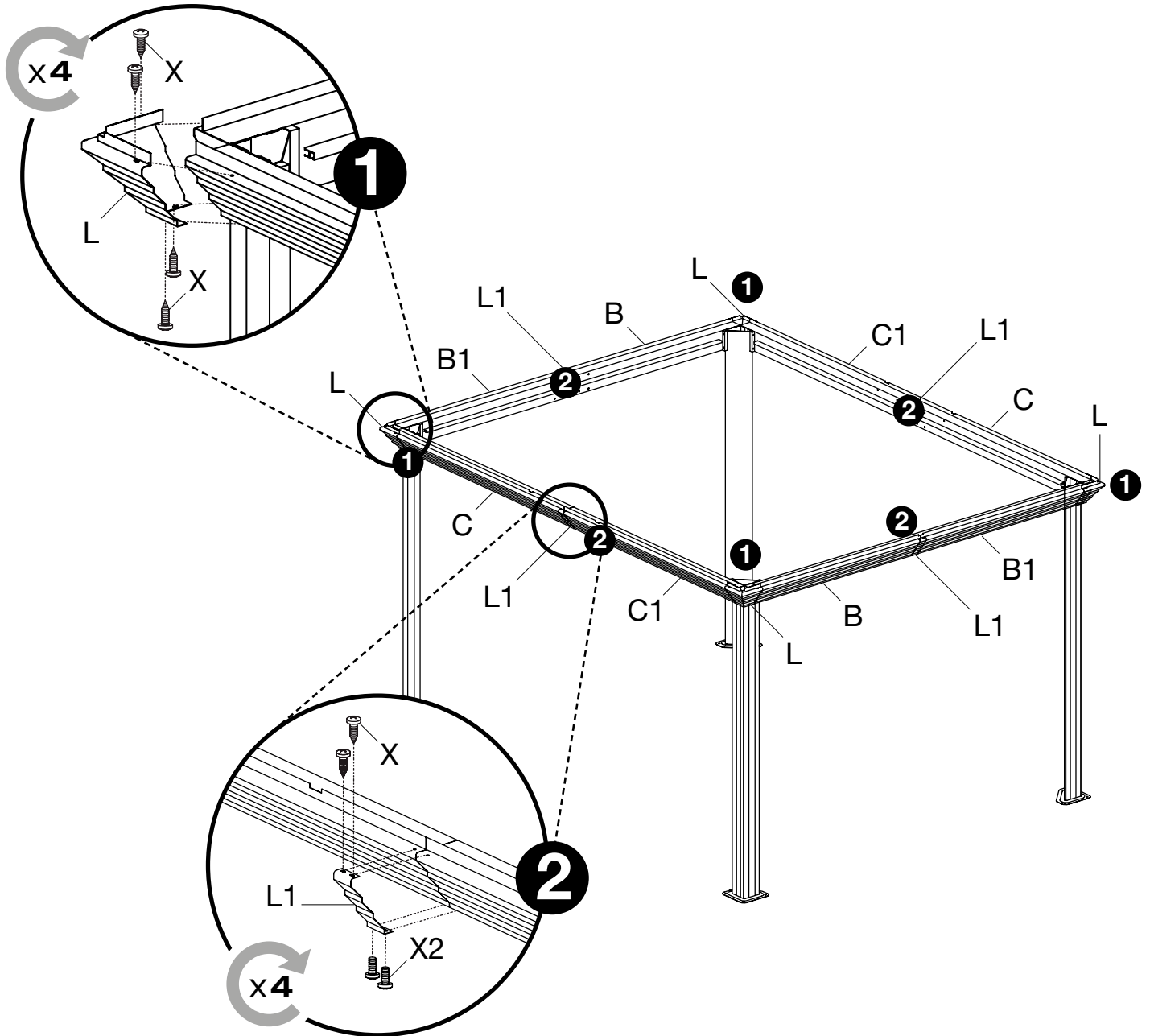
Ux8



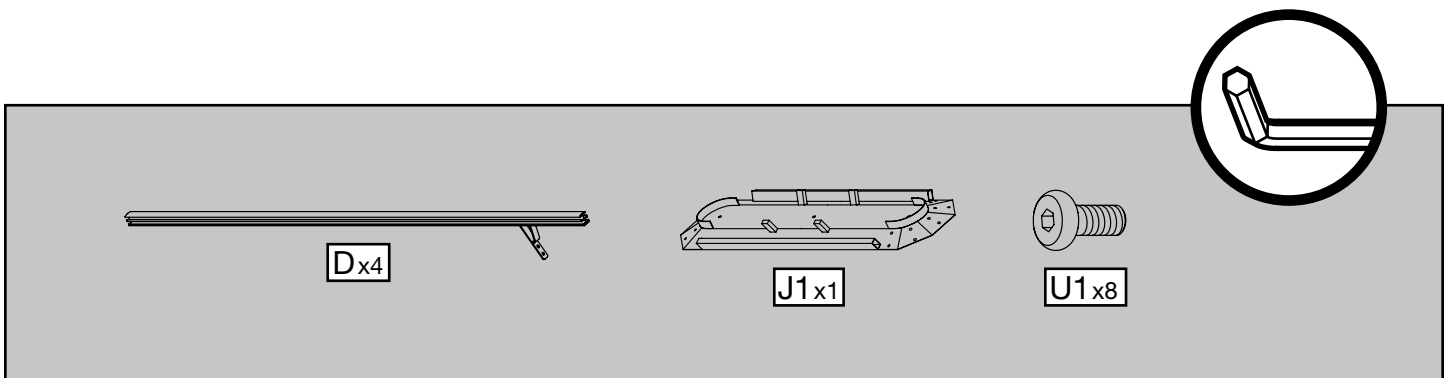
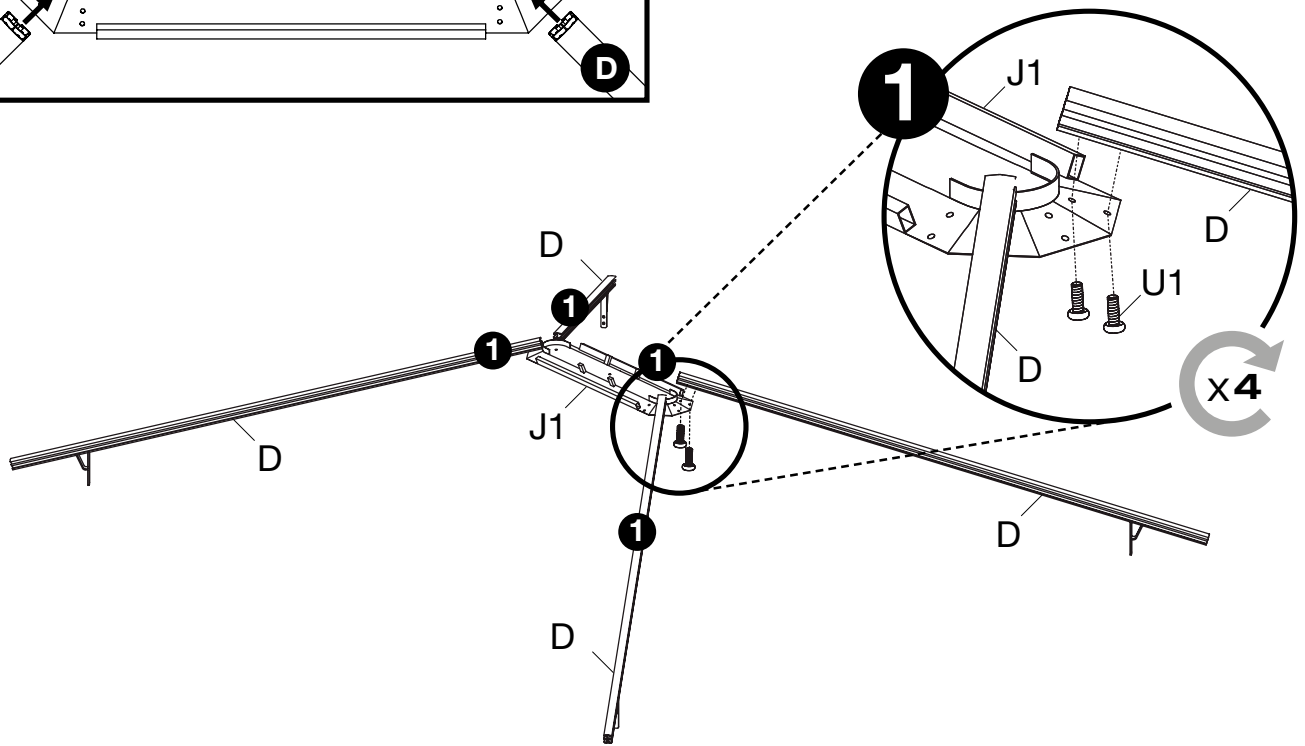
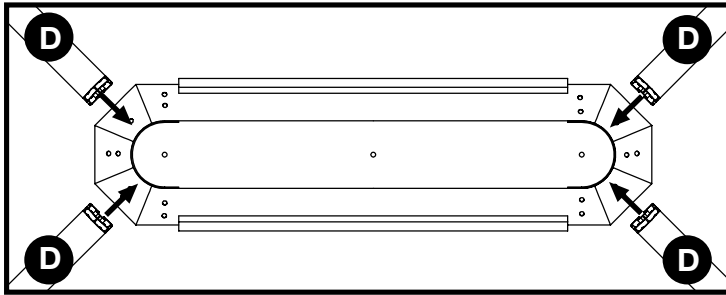
Vx16

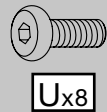
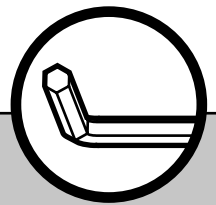
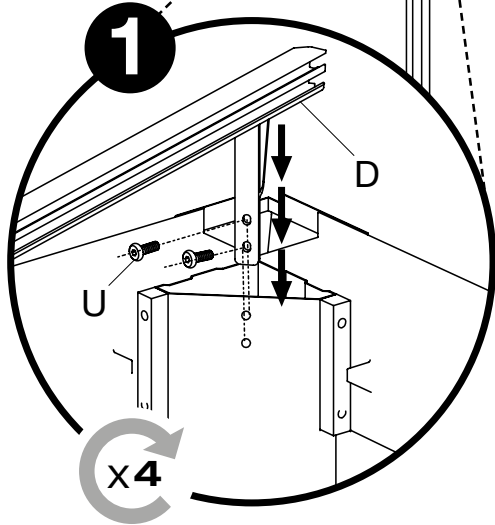
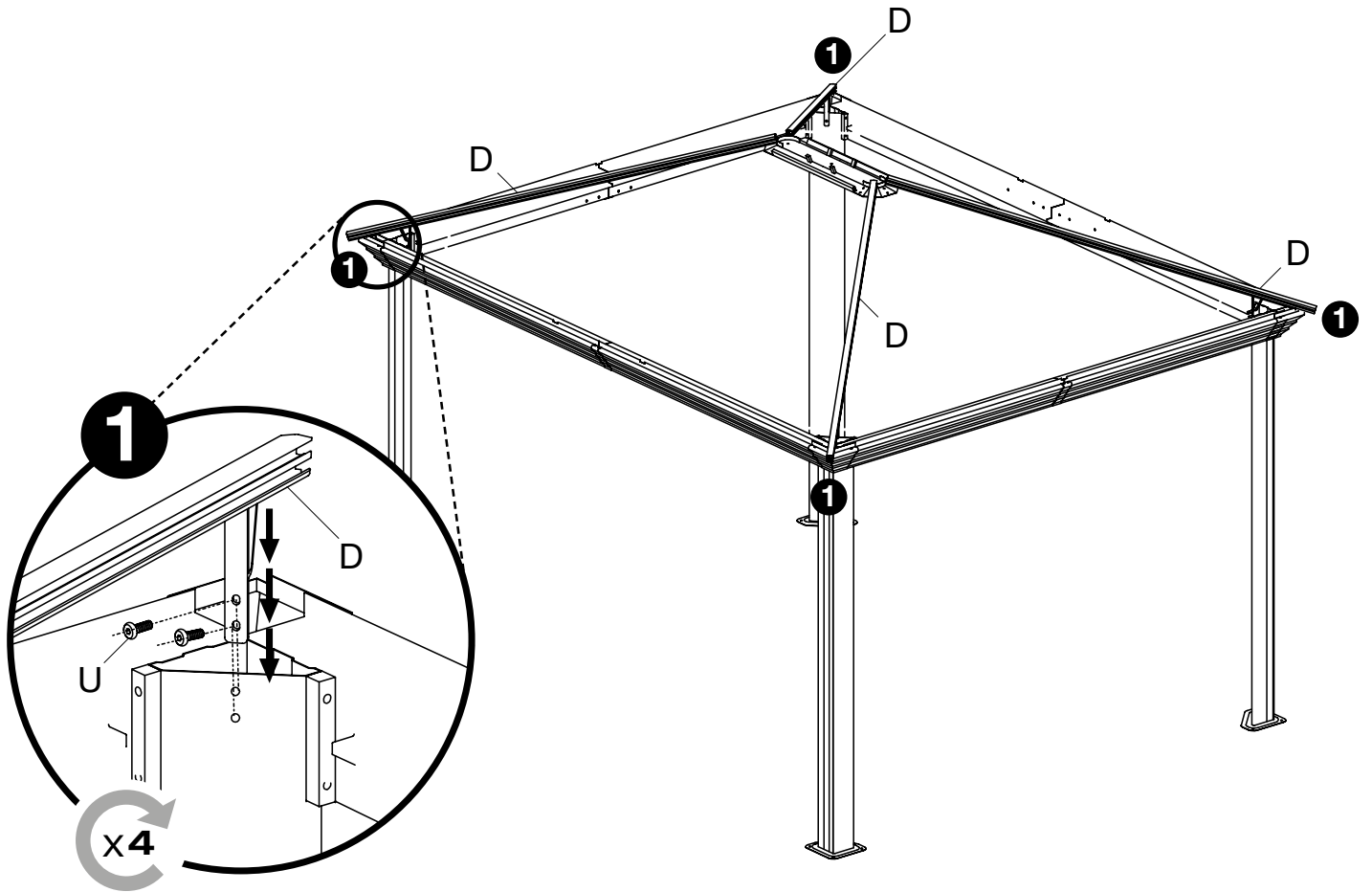


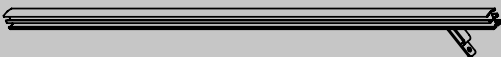
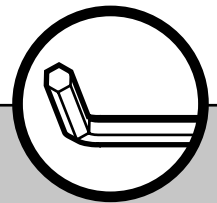
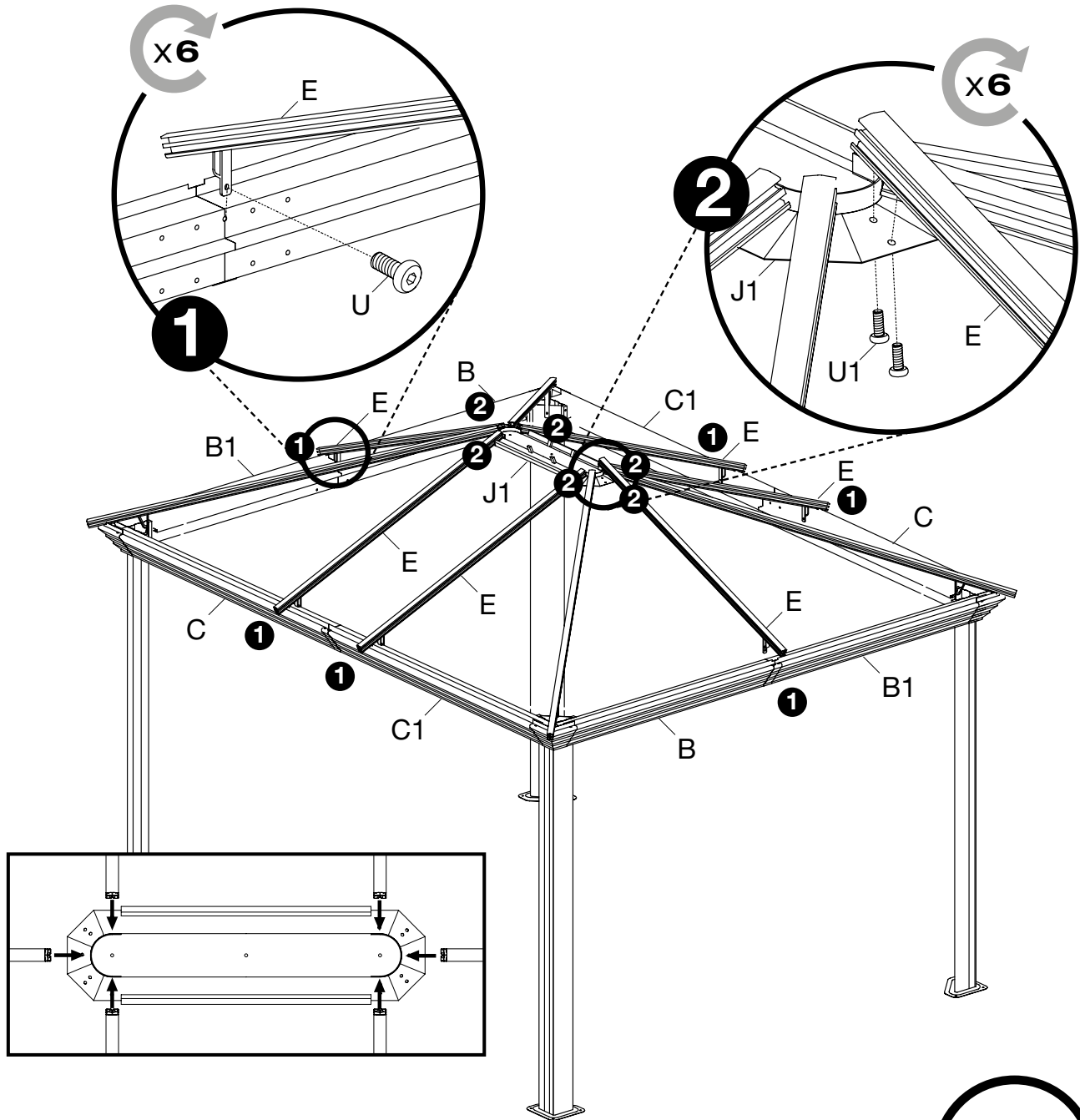
Wx8



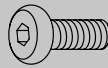
The parts list includes: **X_{x24}** (screw), **X_{2x8}** (screw), **L_{x4}** (corner bracket), and **L1_{x4}** (longitudinal runner). To the right of the parts list are two circular icons: one showing a pair of pliers and another showing a hex key.







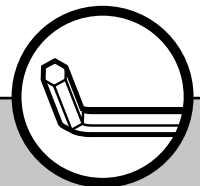
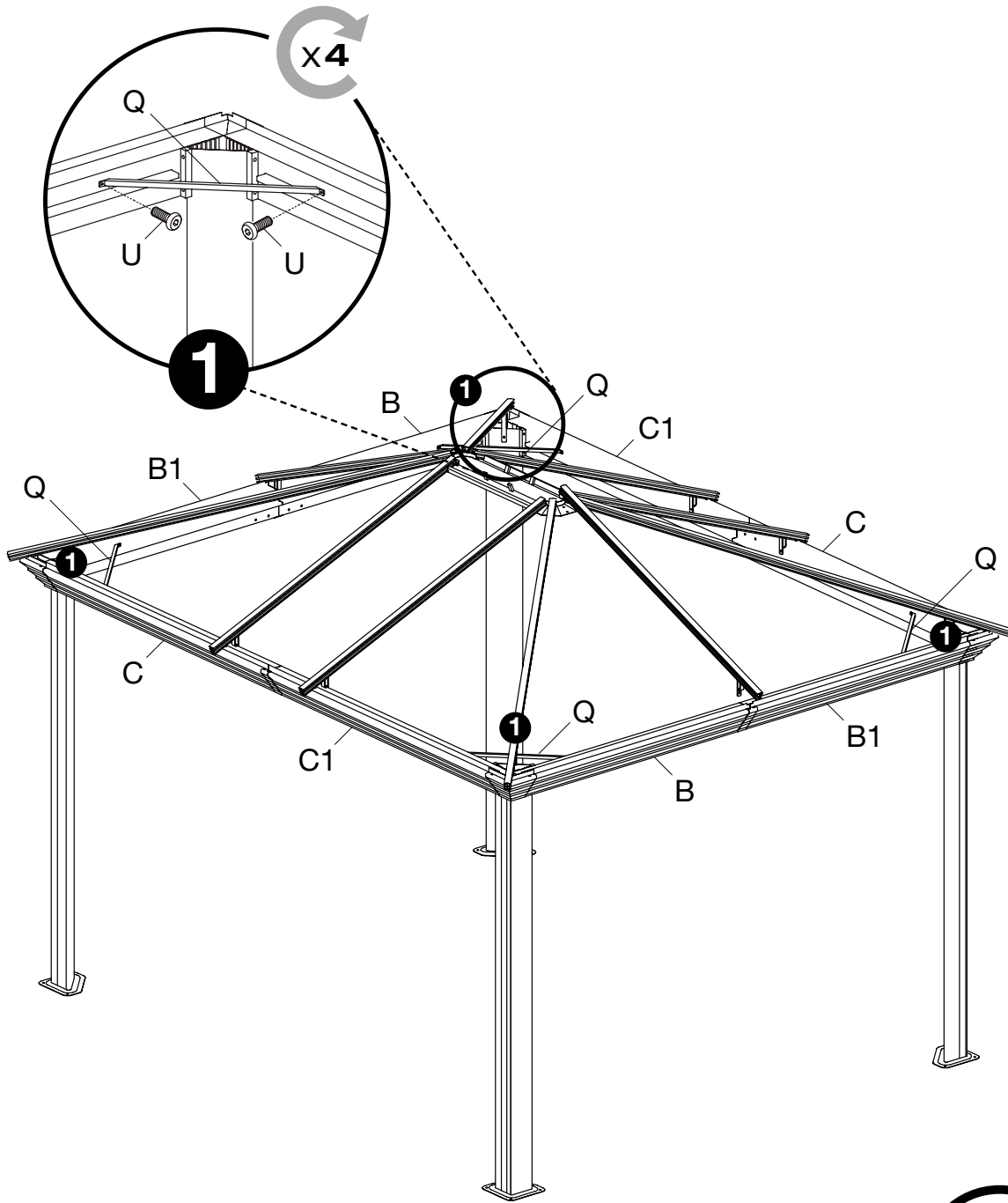
E x6



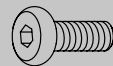
U x6



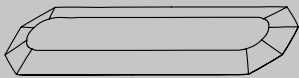
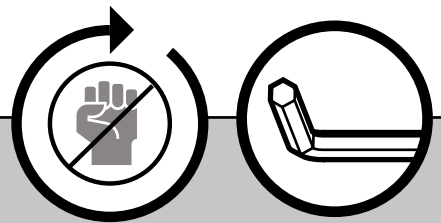
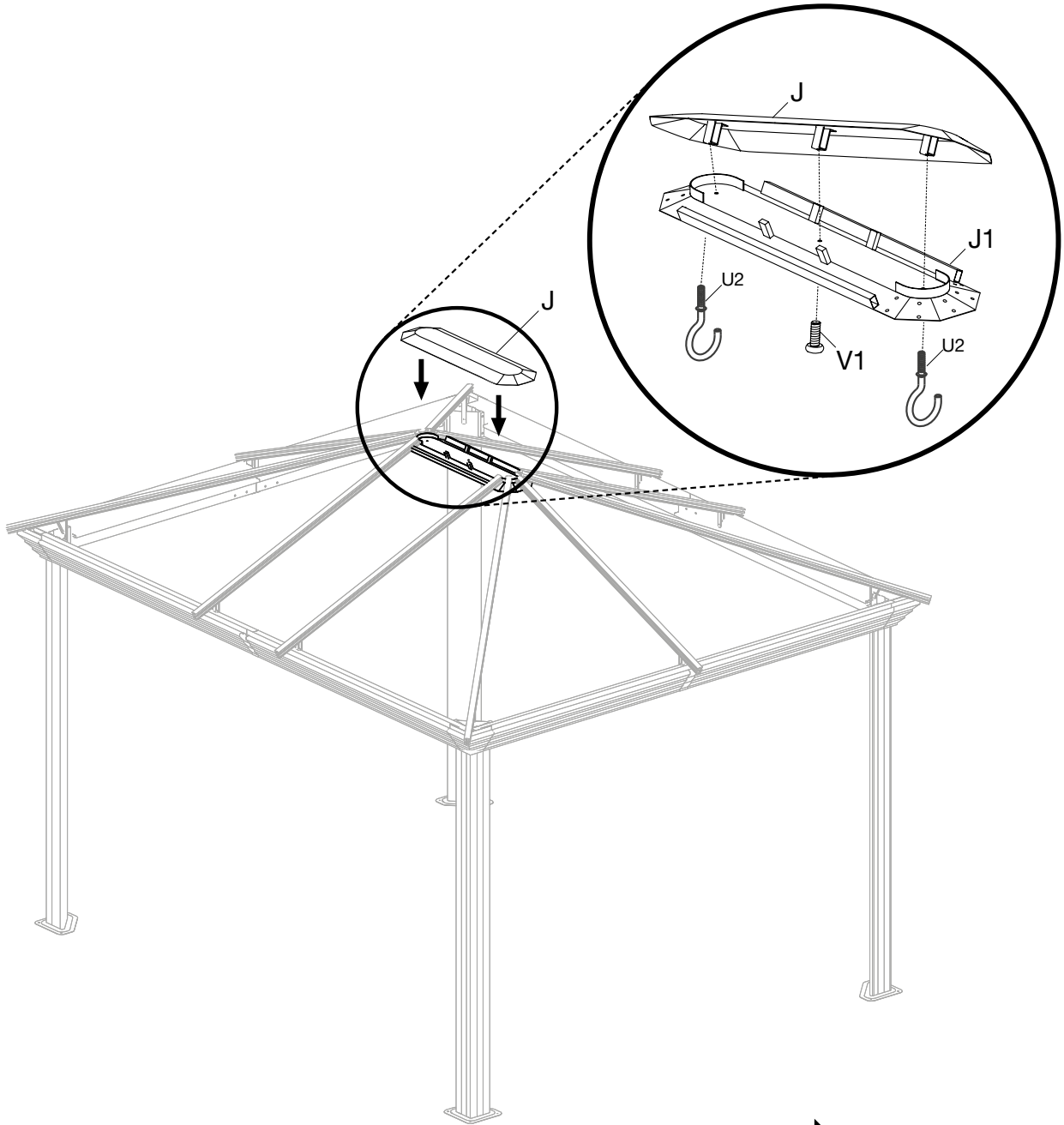
U1 x12



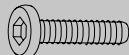
Qx4



Ux8



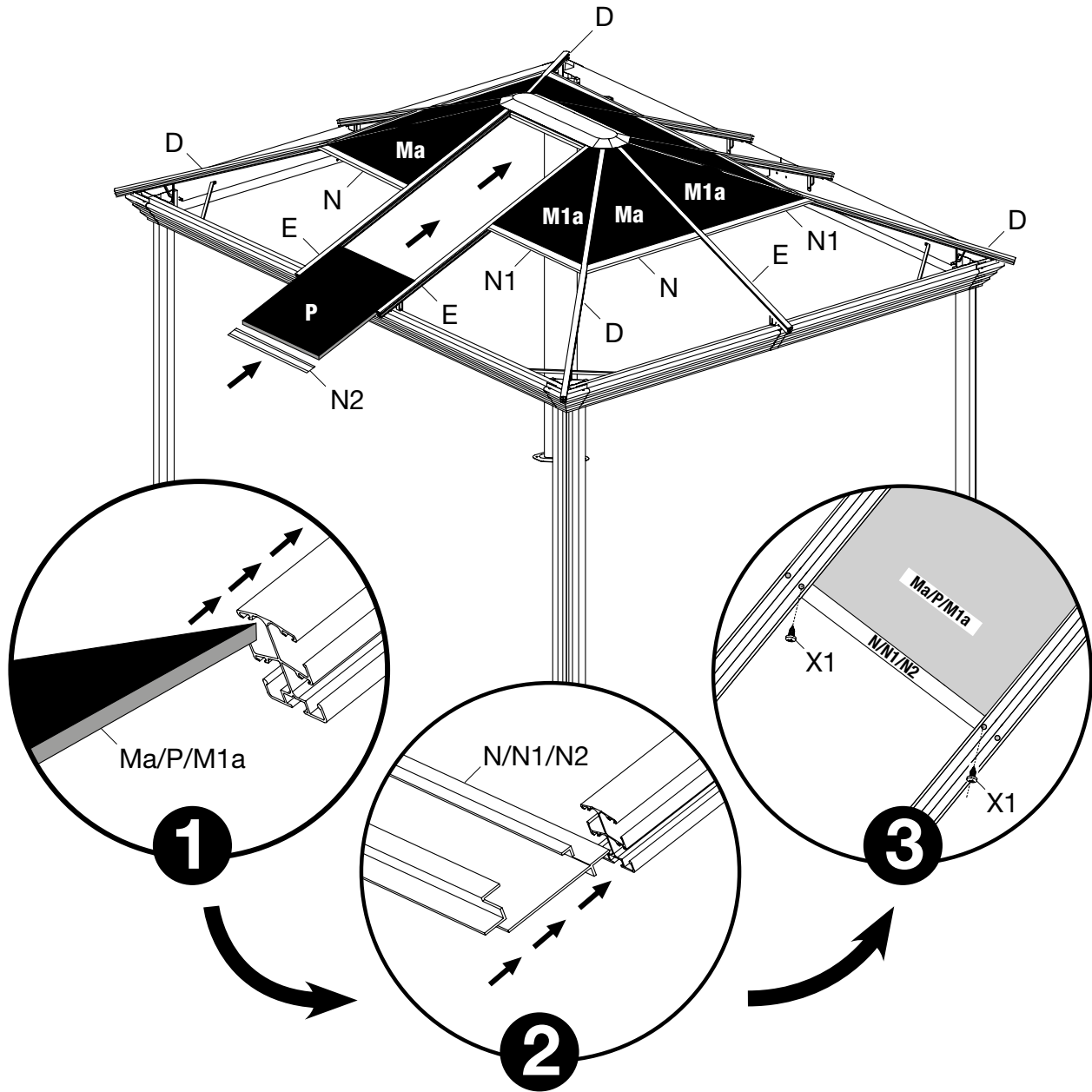
Jx1



V1 x1



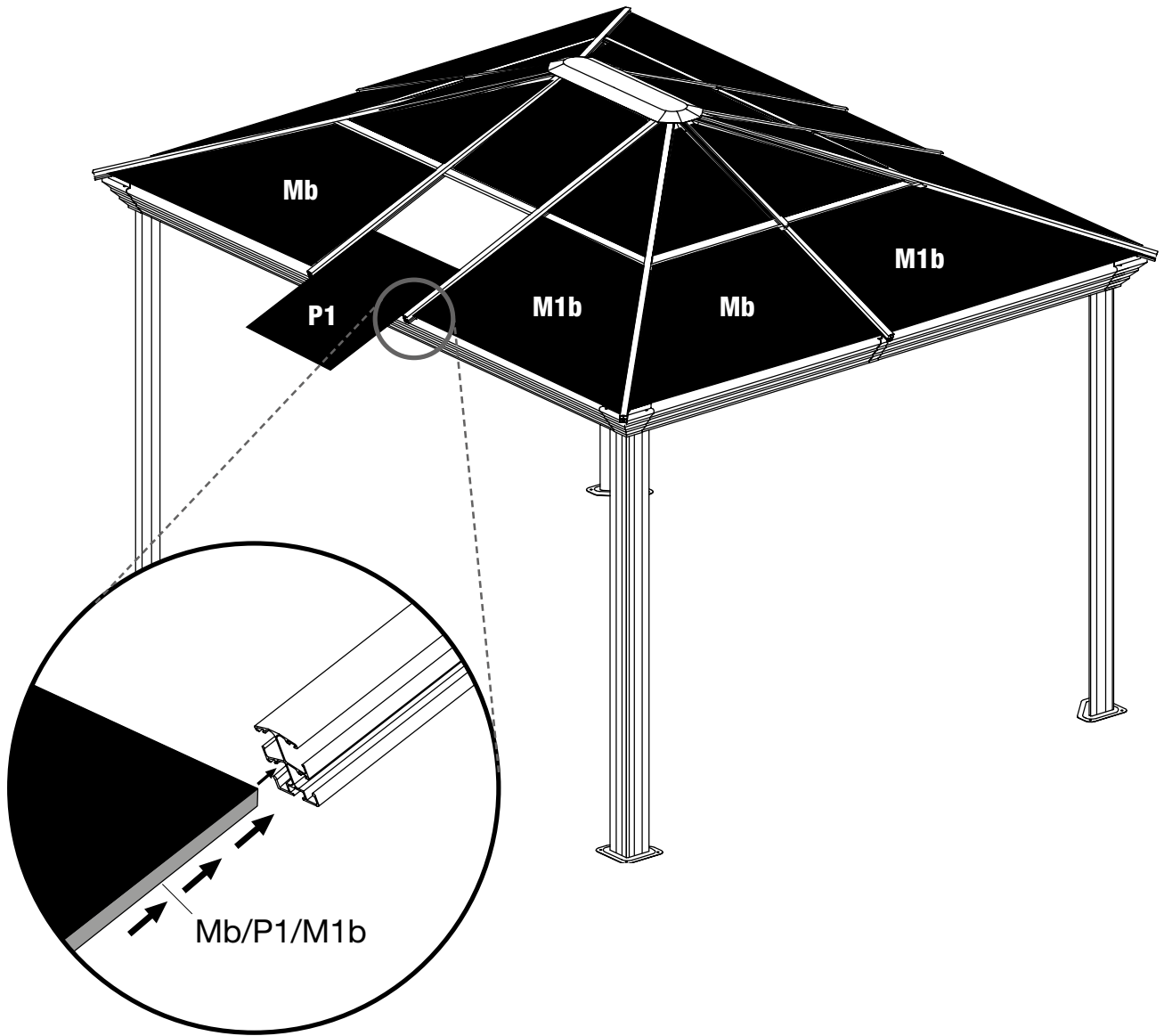
U2 x2



A parts list and safety icon are located at the bottom of the page. The parts list includes:

- Ma x4 (represented by a right-angled triangle)
- P x2 (represented by a square)
- M1a x4 (represented by a left-angled triangle)
- X1 x20 (represented by a screw)
- N x4 (represented by a long trim piece)
- N1 x4 (represented by a shorter trim piece)
- N2 x2 (represented by a wide trim piece)

A safety icon of a pair of hands is also present.



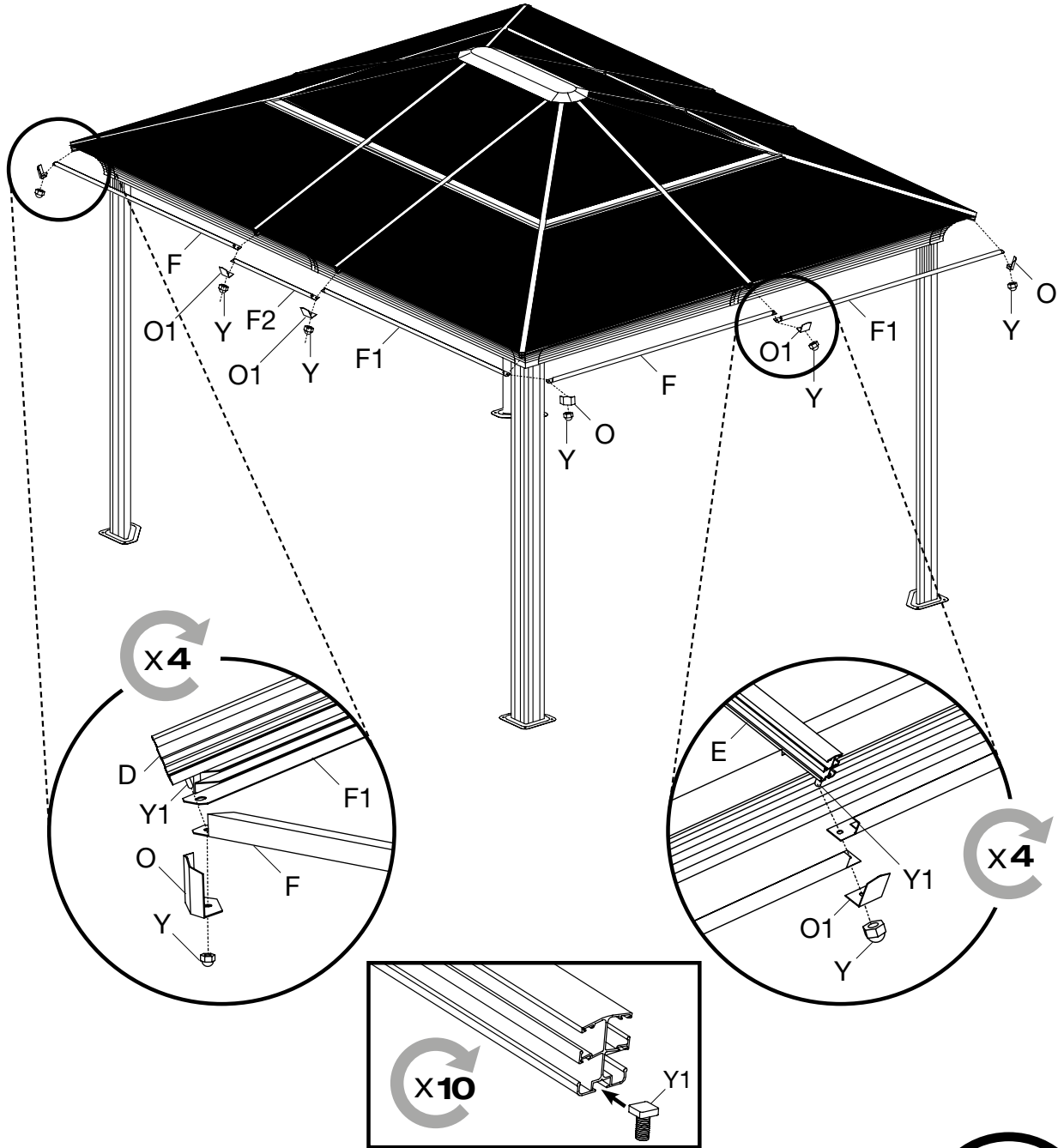
Mb x4





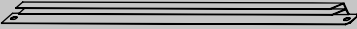



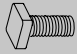

P1 x2

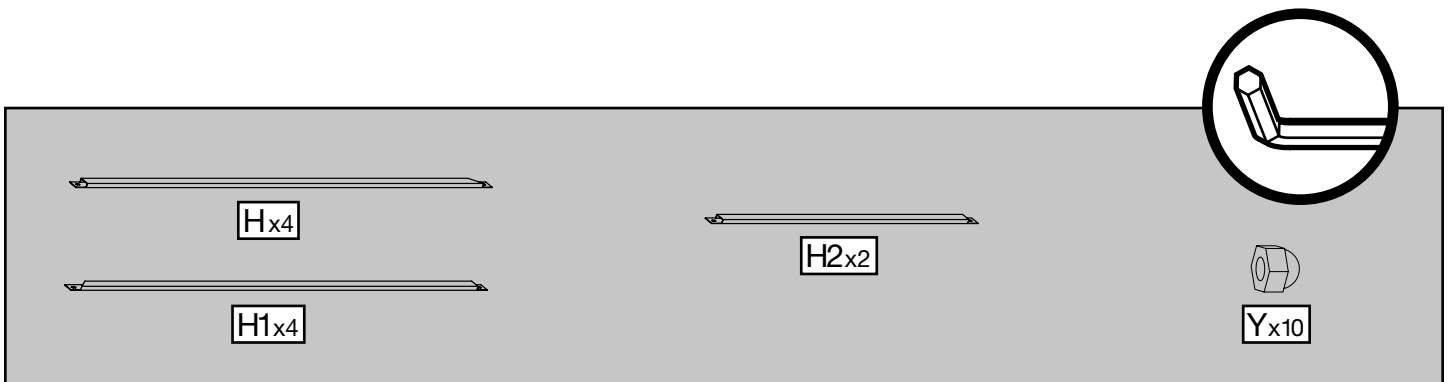
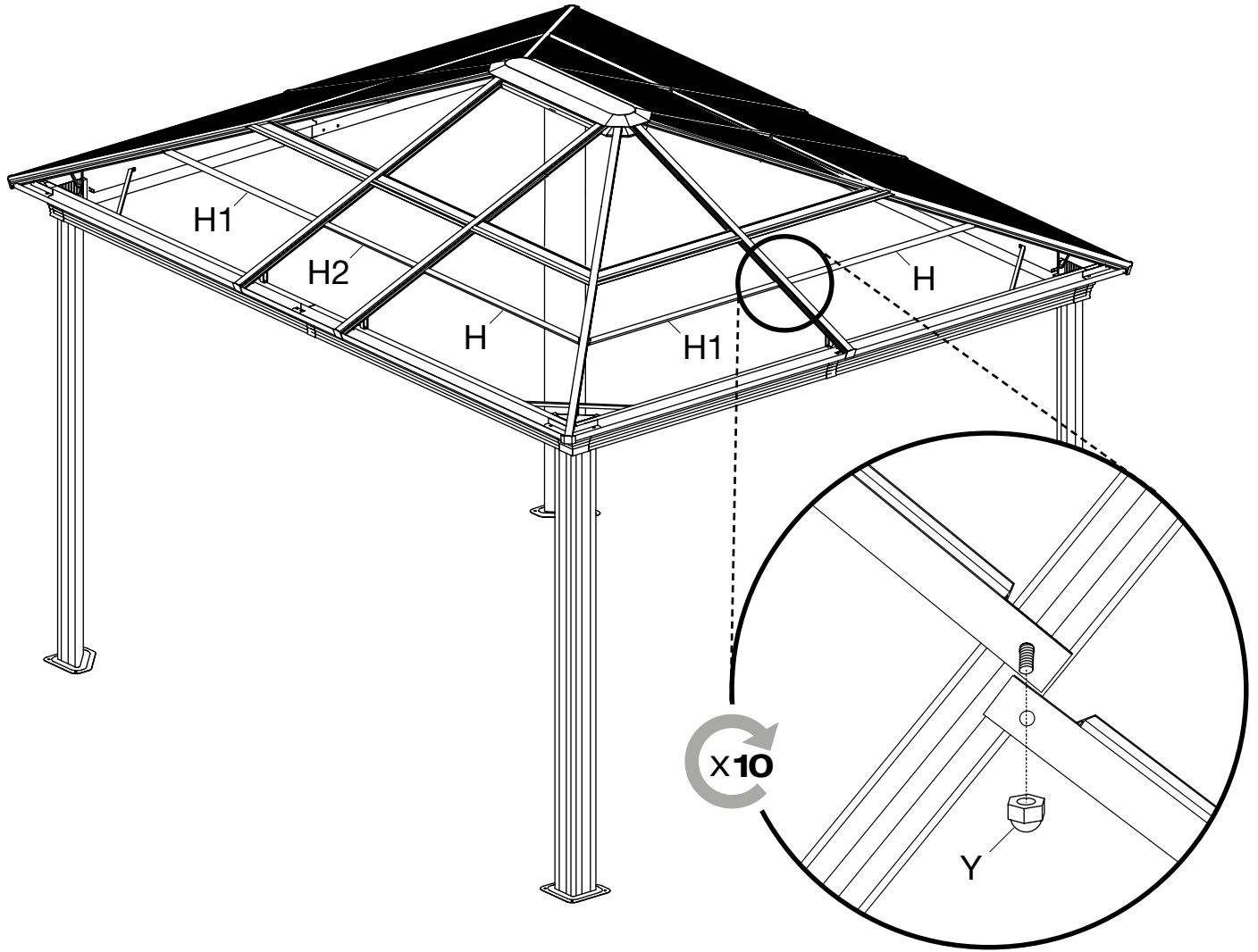


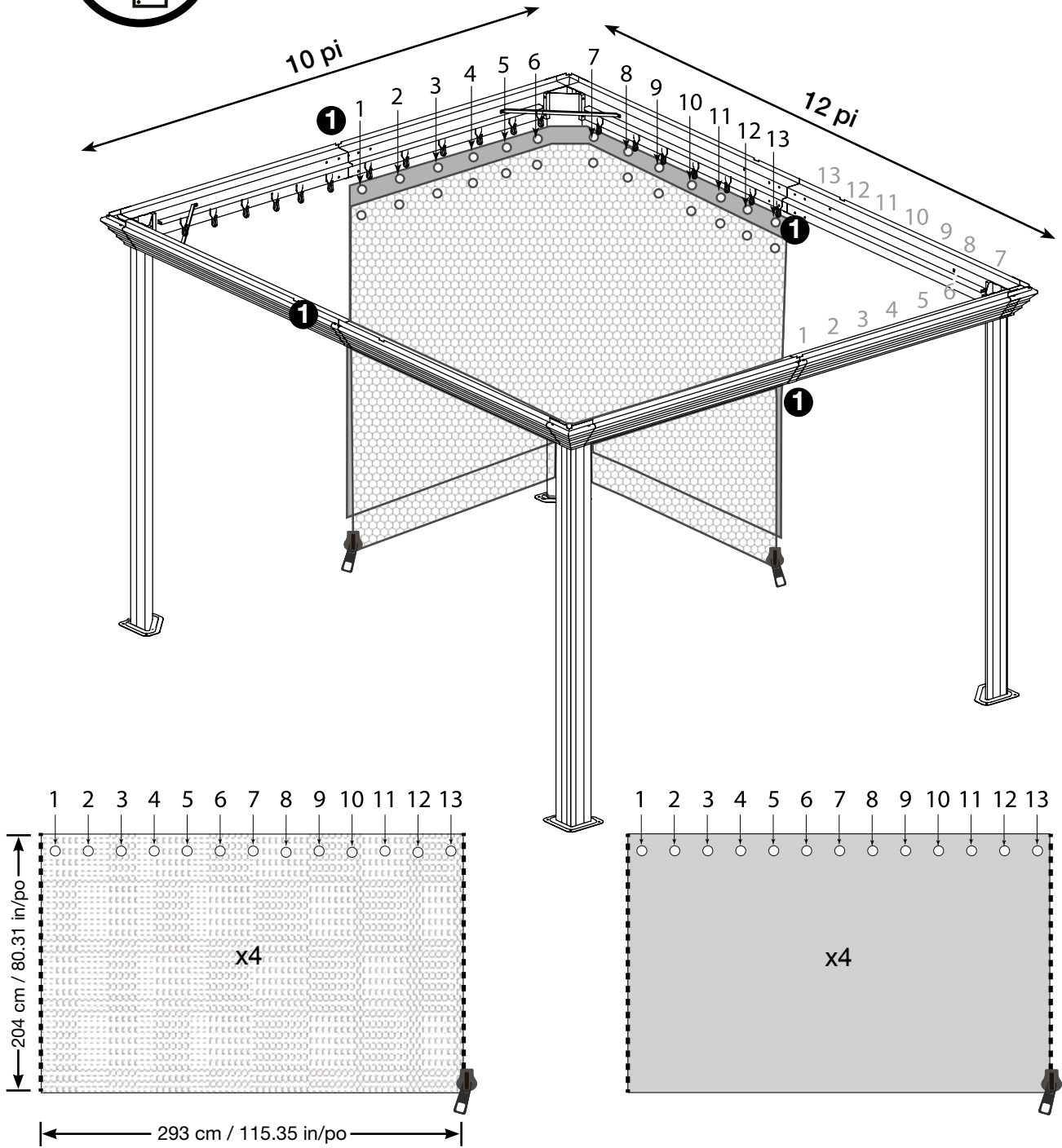
M1b x4





 F x4	 F2 x2				
 F1 x4	 O x4	 O1 x6	 Y1 x10	 Y x10	





SOJAG ■ I
produits saisonniers • seasonal products