

# CARPORT

20'W x 20'L x 7' H  
6,1 x 6,1 x 2,1 M

Multi-use shelter and carport – perfect for vehicles, boats, tractors, and outdoor picnic areas and patio furniture.



**Model:** CPH202007  
CPHC202007

## Product:

**Exterior Dimensions:**  
243 x 237 x 118 in.  
617,2 x 602 x 299,7 cm

**Interior Dimensions:**  
237 x 237 x 115 in.  
602 x 602 x 292,1 cm

**Storage Area:**  
390 sq. ft. / 36,2 sq. m  
3234 cu. ft. / 91,6 cu. m

**Recommended Foundation:**  
21 x 21 ft. / 6,4 x 6,4 m



### DESIGNED FOR STRENGTH

2 in. / 5,1 cm square tube / 15-gauge wall thickness delivers wind and snow load strength and stability. Premium black powder coat finish resists rust and corrosion. Rib spacing: 4.5 ft. / 1,3 m.



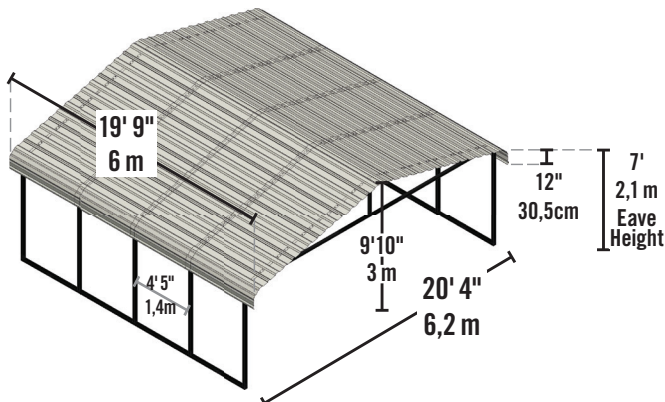
### DESIGNED FOR EASY INSTALLATION

Slip-fit frame connections with pilot holes and self-drilling screws for easy assembly. Ready-to-build right out of the box.



### BUILT-TO-LAST ROOF

Horizontal roof panels with 29-gauge painted galvanized steel for corrosion resistance. Rounded eaves for additional protection from elements. 10 in. / 25,4 cm overhang at the gables. Choice of Charcoal or Eggshell roof panels.



Wind Speed	100 MPH*
Snow/Ground Load	35 PSF*
* Wind and snow loads given are for reference only and assume a securely anchored frame according to local building codes and ordinances. These have been calculated using combined snow and wind load provisions in accordance with ASCE 7-05.	

## Packaging:

**Total Weight:**  
1085 lbs. / 492,2 kg

**Total Pallet Weight:**  
1133 lbs. / 514 kg

**Shipping Dimensions:**  
6 reinforced boxes on wood pallet

Box 1: 171 lbs. / 77,5 kg  
76.6 x 24.4 x 5.5 in.  
194,5 x 56,5 x 14 cm

Box 2: 158 lbs. / 71,8 kg  
76.6 x 24.4 x 5.1 in.  
194,5 x 56,5 x 13 cm

Box 3: 205 lbs. / 93 kg  
76.6 x 24.4 x 7.1 in.  
194,5 x 56,5 x 18 cm

Box 4: 229 lbs. / 103,8 kg  
76.6 x 24.4 x 7.1 in.  
194,5 x 56,5 x 18 cm

Box 5 & 6: 178 lbs. / 80,7 kg  
70 x 30.25 x 3.5 in.  
177,8 x 76,8 x 8,9 cm

**Total Pallet:** 76 x 30.25 x 34.3 in.  
193 x 76,8 x 87,1 cm

40' Container Qty.: 15  
48' Trailer Qty.: 22