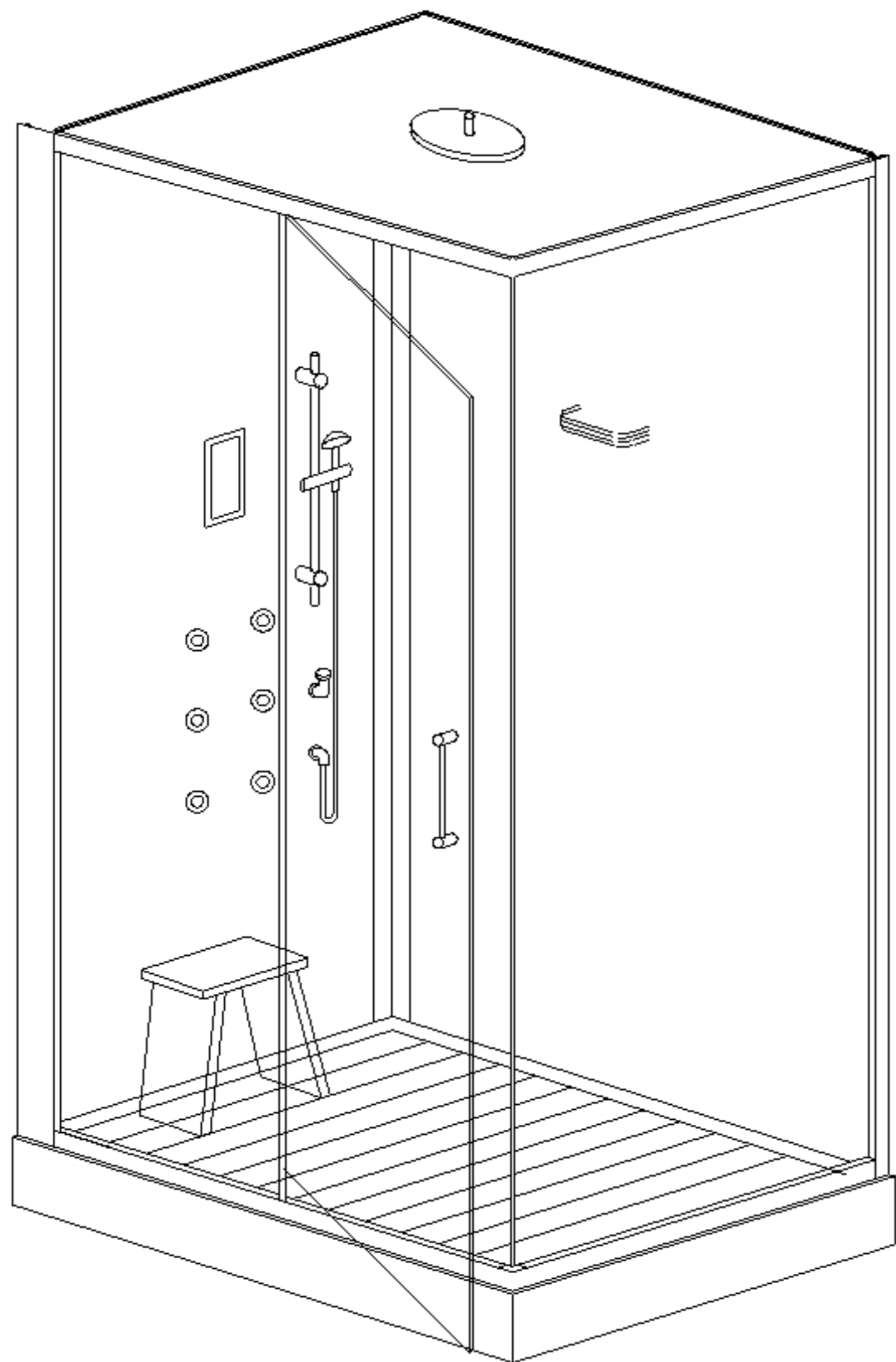
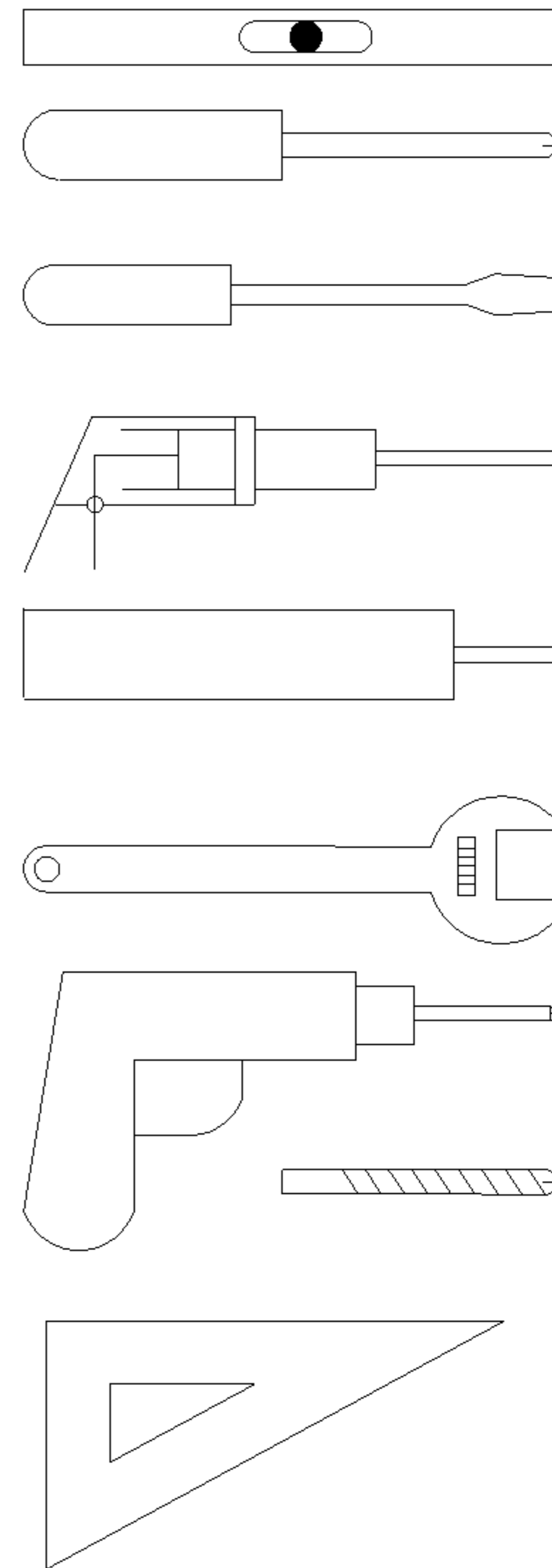


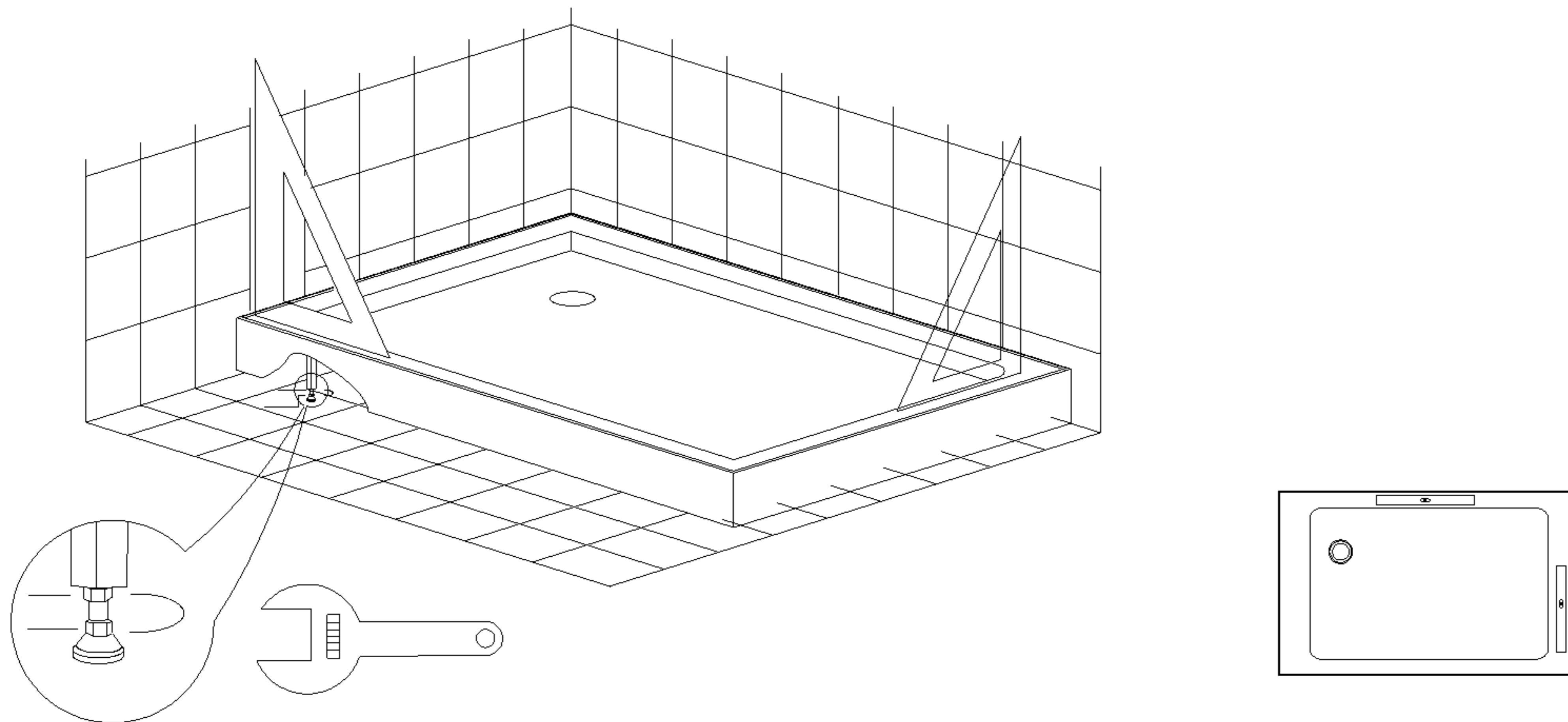
INSTALLATION INSTRUCTION
(NO FIXEING TO WALL)

WS\WR141



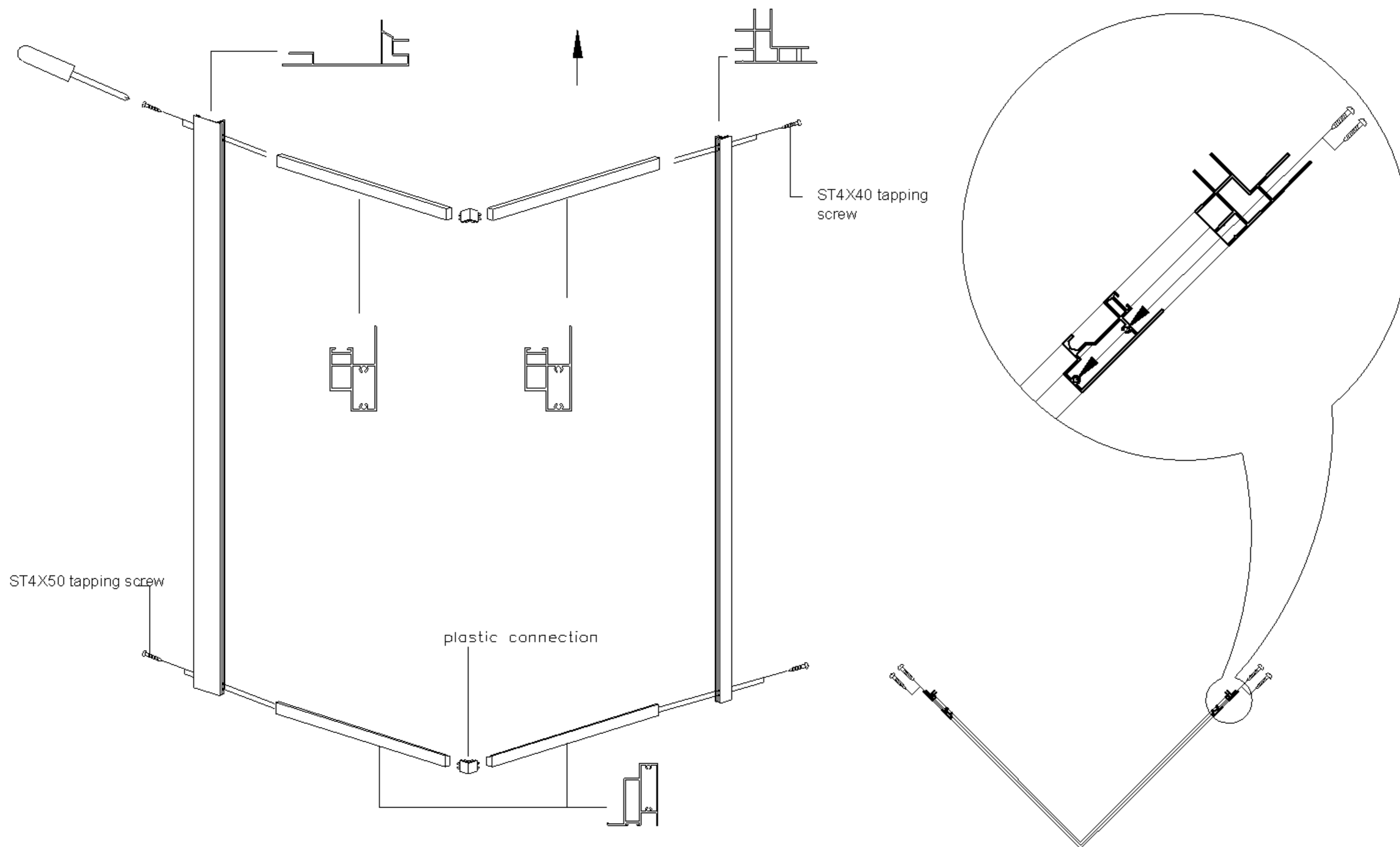
1. Tools used: gradienter, screwdriver, glue gun, glue, spanner, electric drill, $\phi 9$ aiguille, triangle ruler, hammer





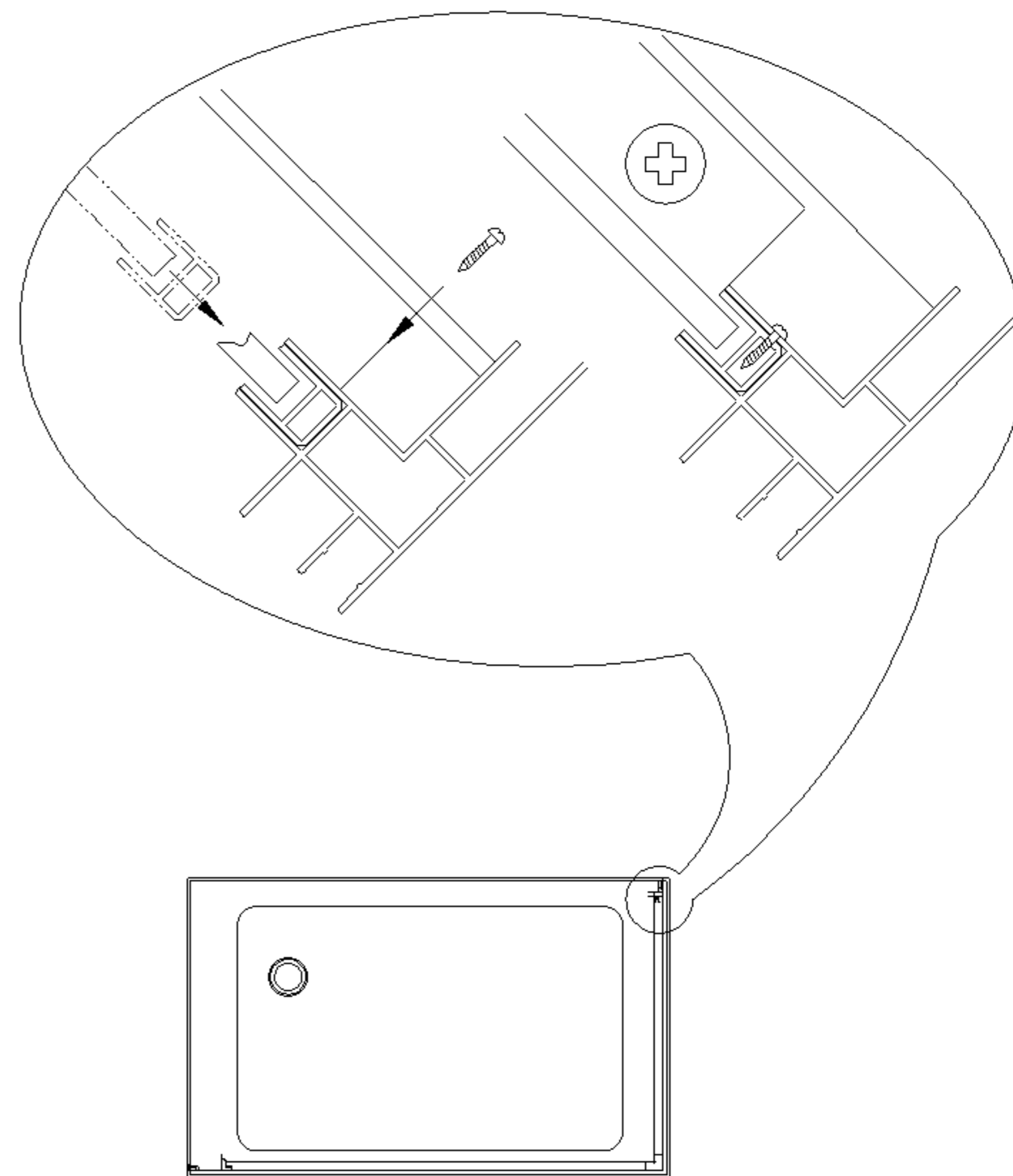
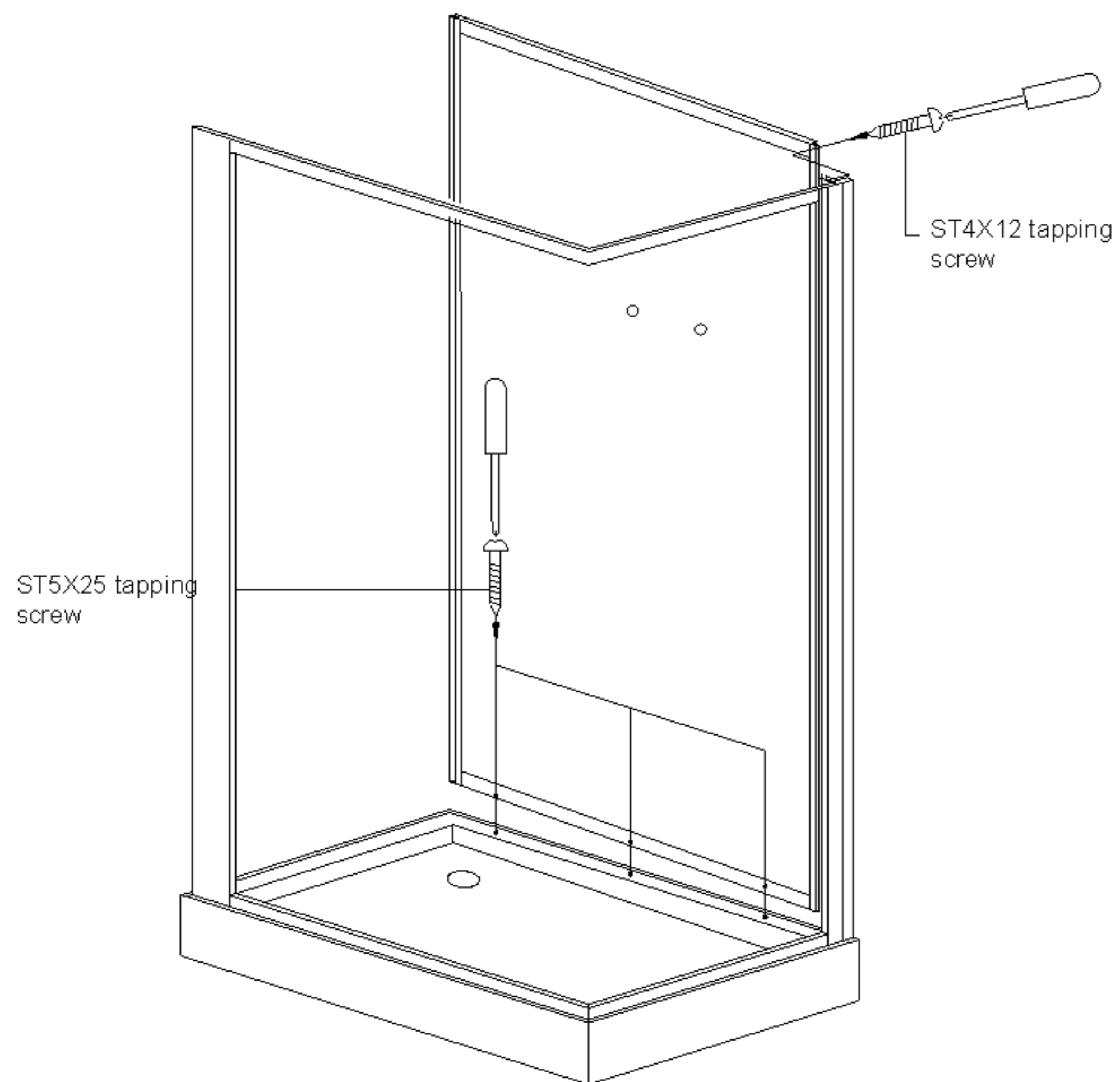
2. Adjust the legs of shower tray:

Adjust the shower tray to make sure the upper surface of the track is vertical with the wall. The upper side of the shower tray shall be level and all the legs shall reach the floor.



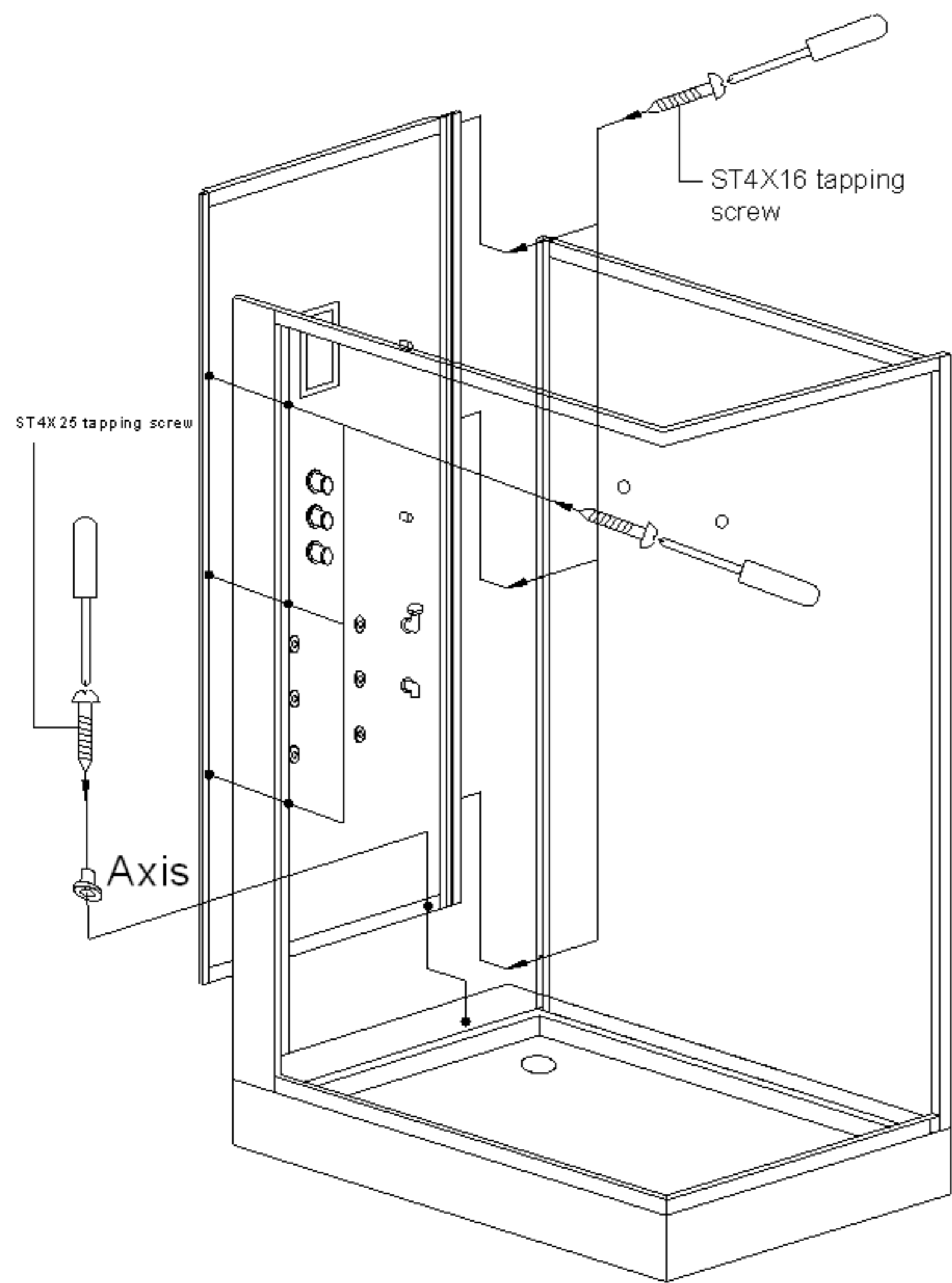
3. Install the door frame

- ① Get front and side front aluminum track connected with plastic connection part.
- ② Get the connected aluminum track and side aluminum connected with tapping screw.

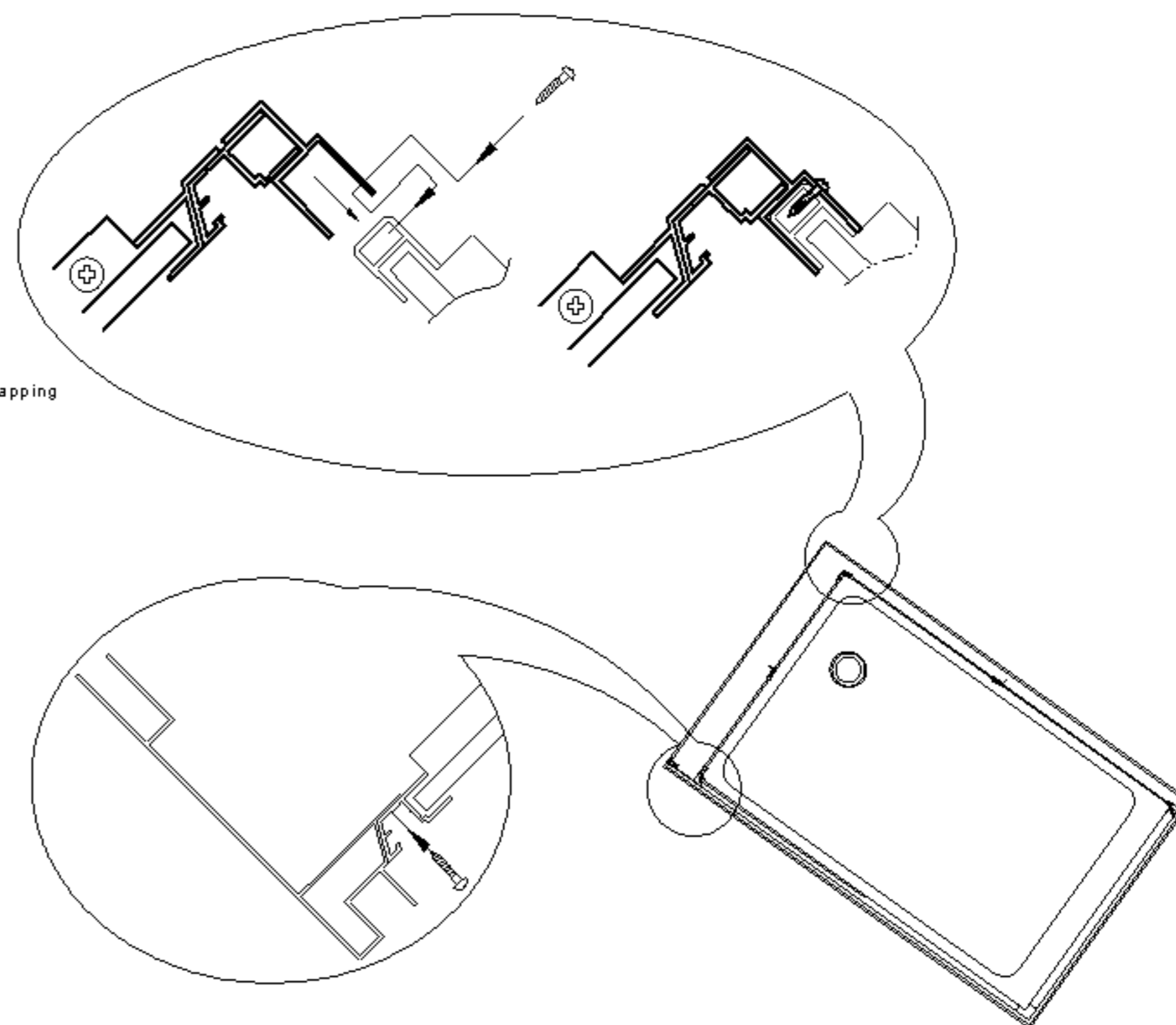


4. Install side back wall to the cabin

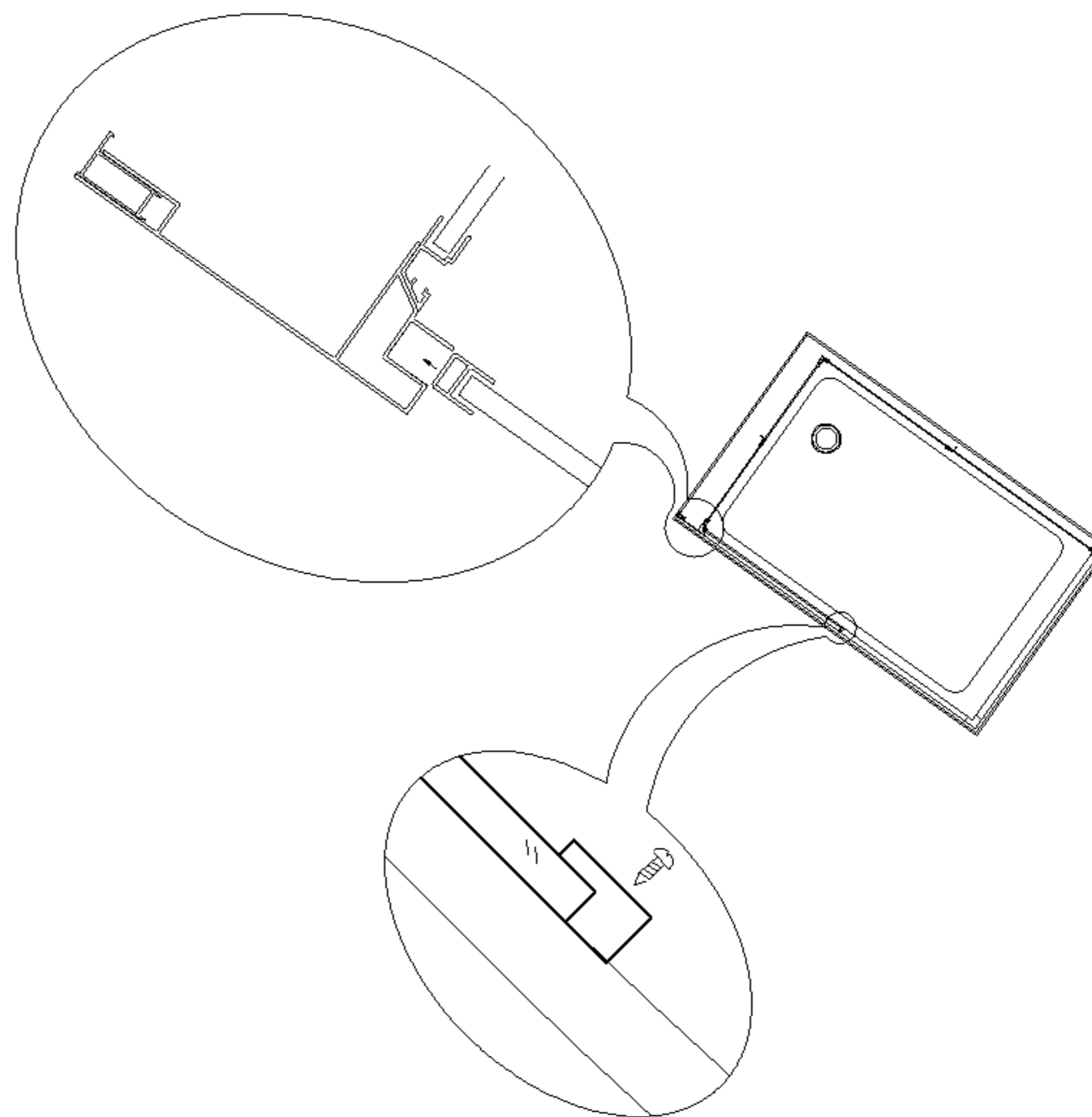
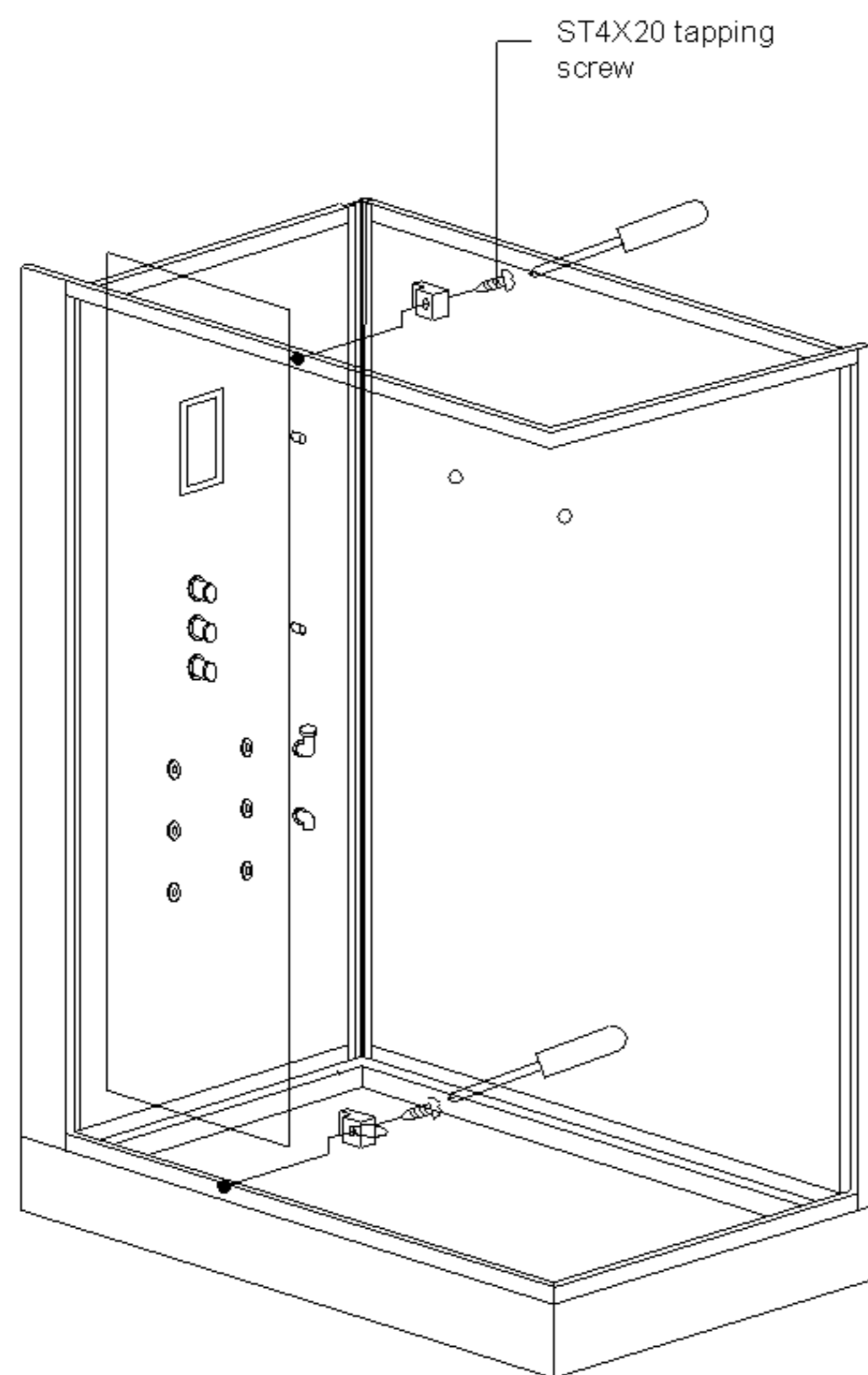
- ① Get the glass wall into the door frame and get it fixed with tapping screws.
- ② Fix the glass wall onto the shower tray.



ST4X16 tapping
screw

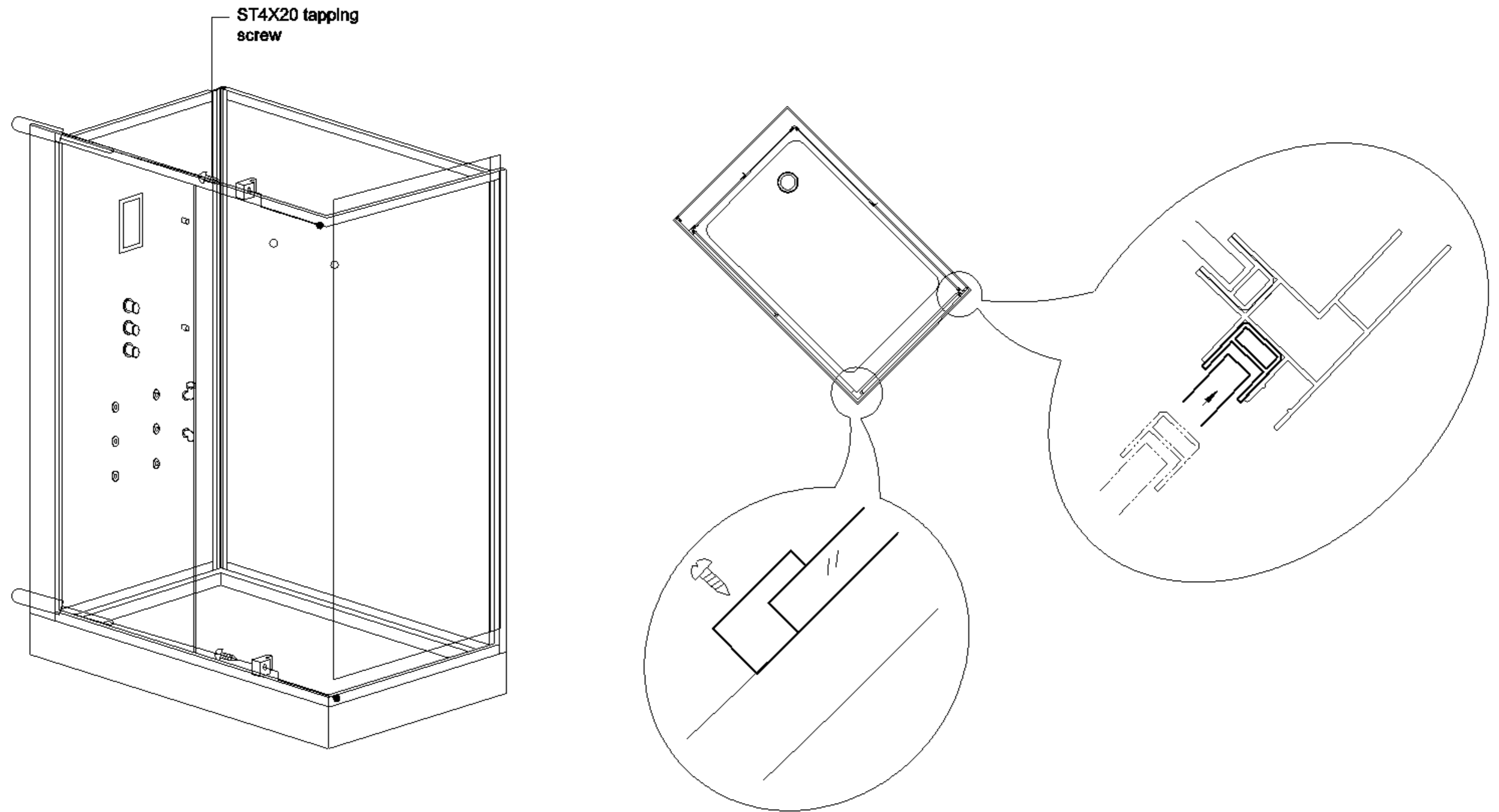


5. Install the back panel
Get the back panel connected to the glass back wall with tapping screws.



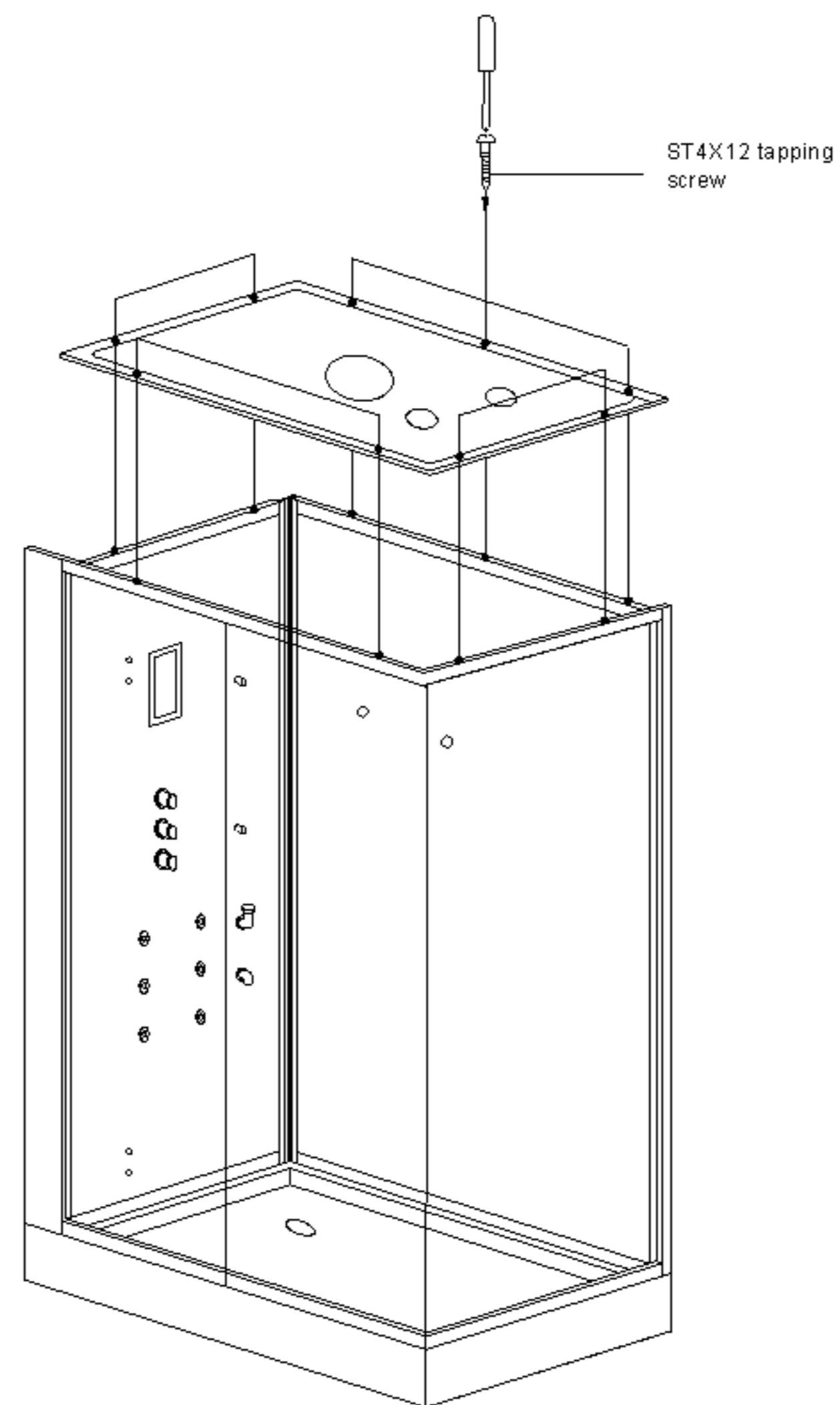
6. Install fixed glass door

Get one side of the fixed door into door frame. Install the other side of the glass door onto the track with blocks on both ends through tapping screws.



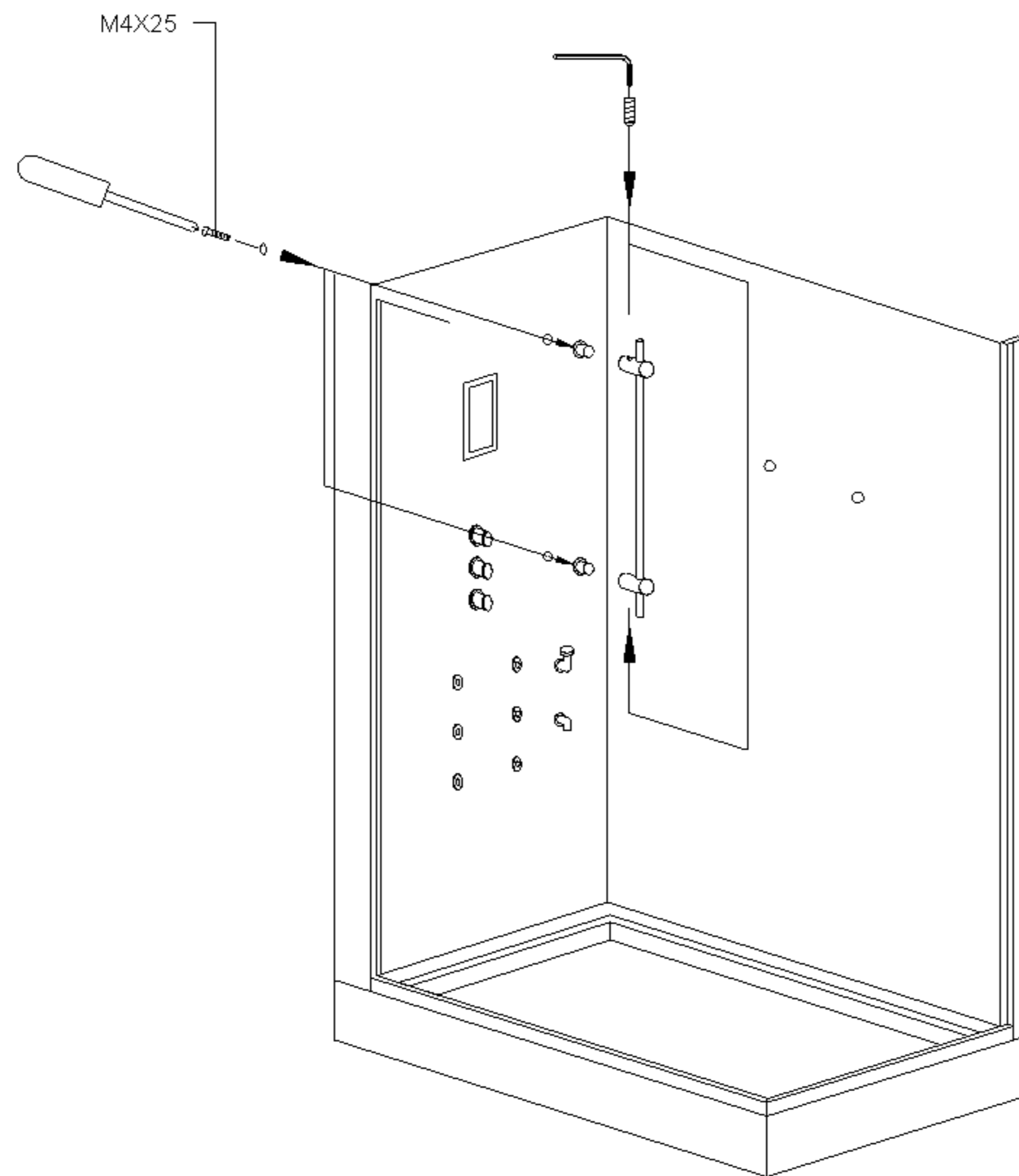
7. Install fixed glass door

Get one side of the fixed door into door frame. Install the other side of the glass door onto the track with blocks on both ends through tapping screws.



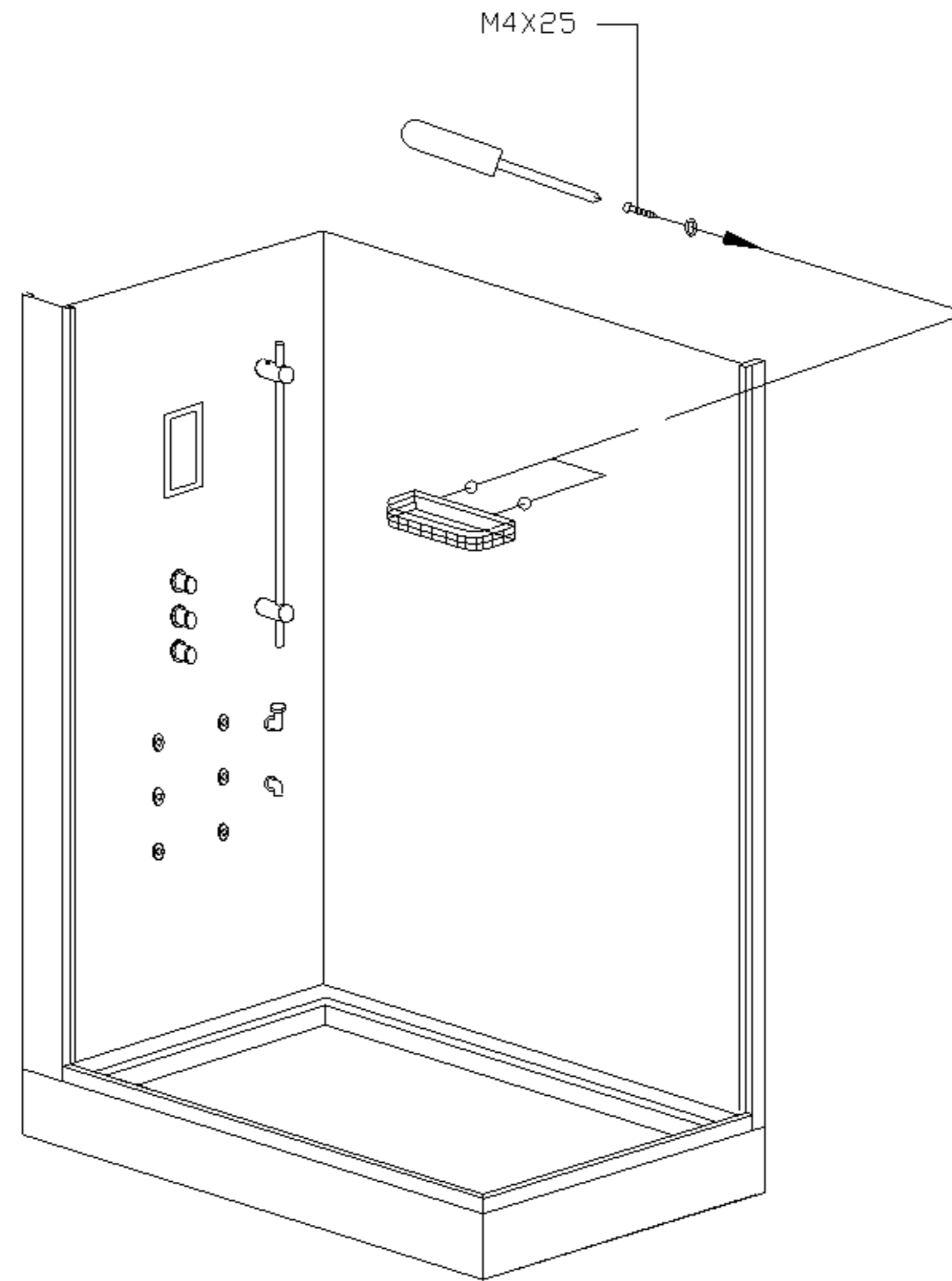
8. Install cover

- ① Get cover installed onto the body of the cabin through screws and nuts.
- ② Connect cover to upper track with tapping screws.

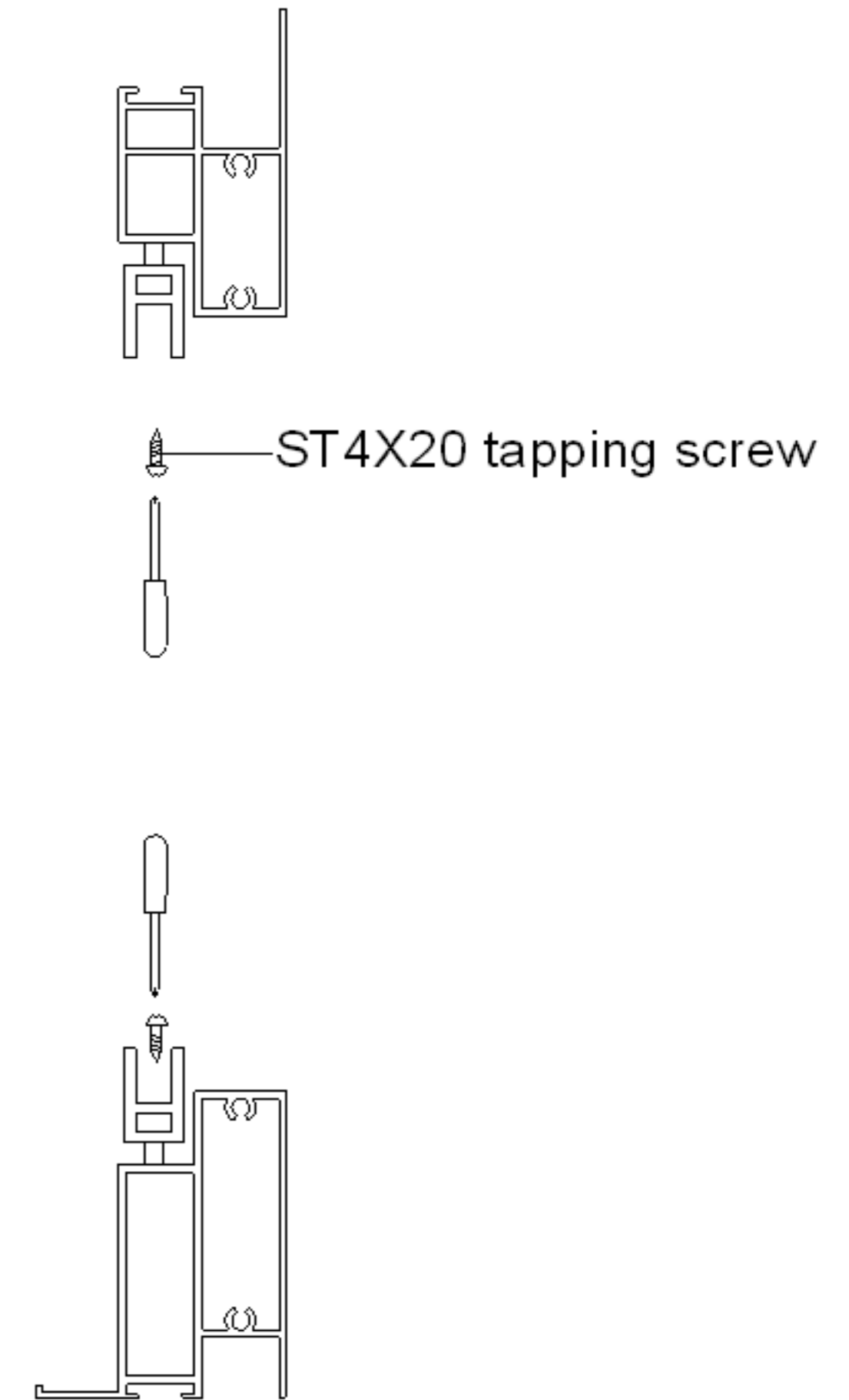
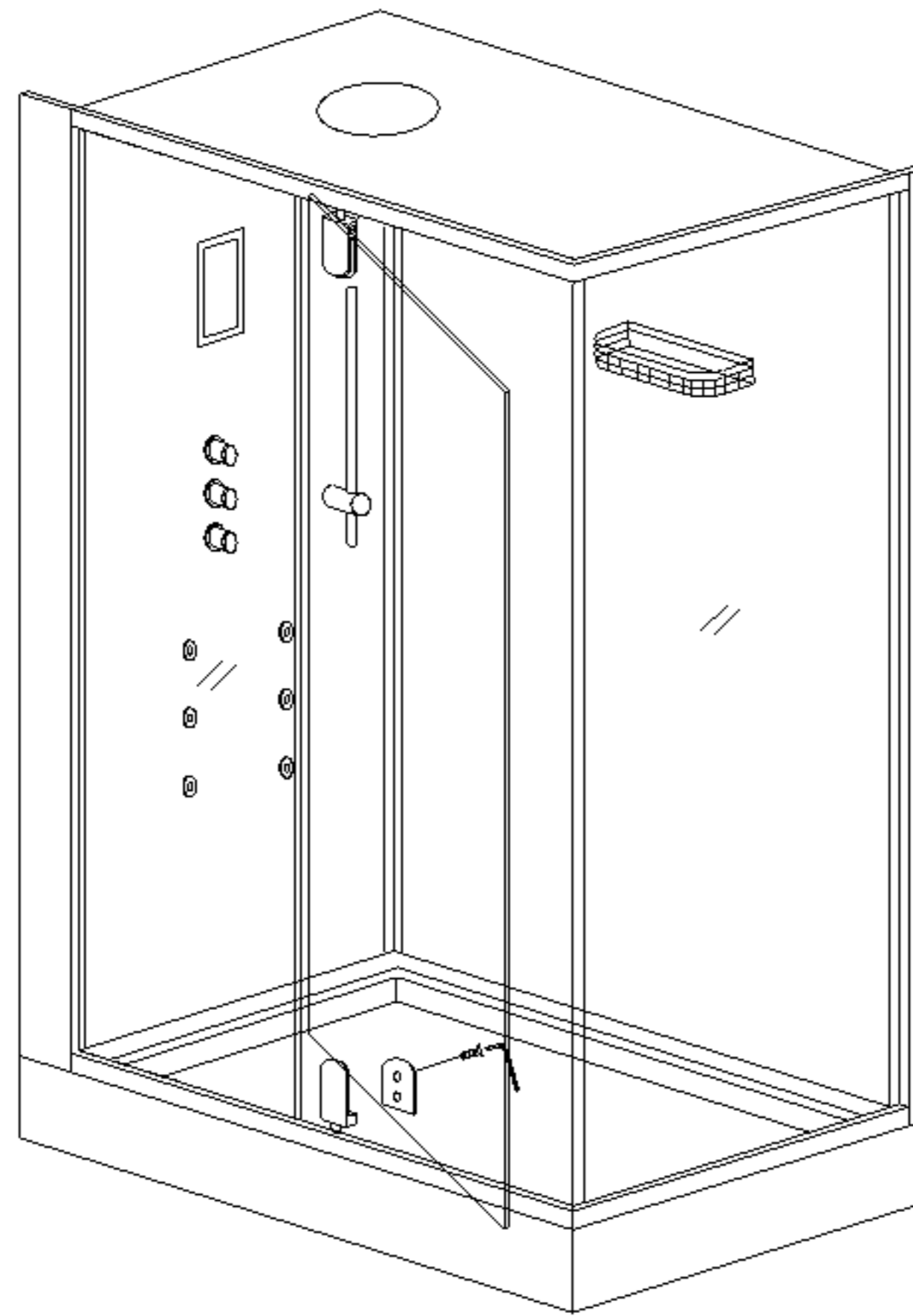


M4X25

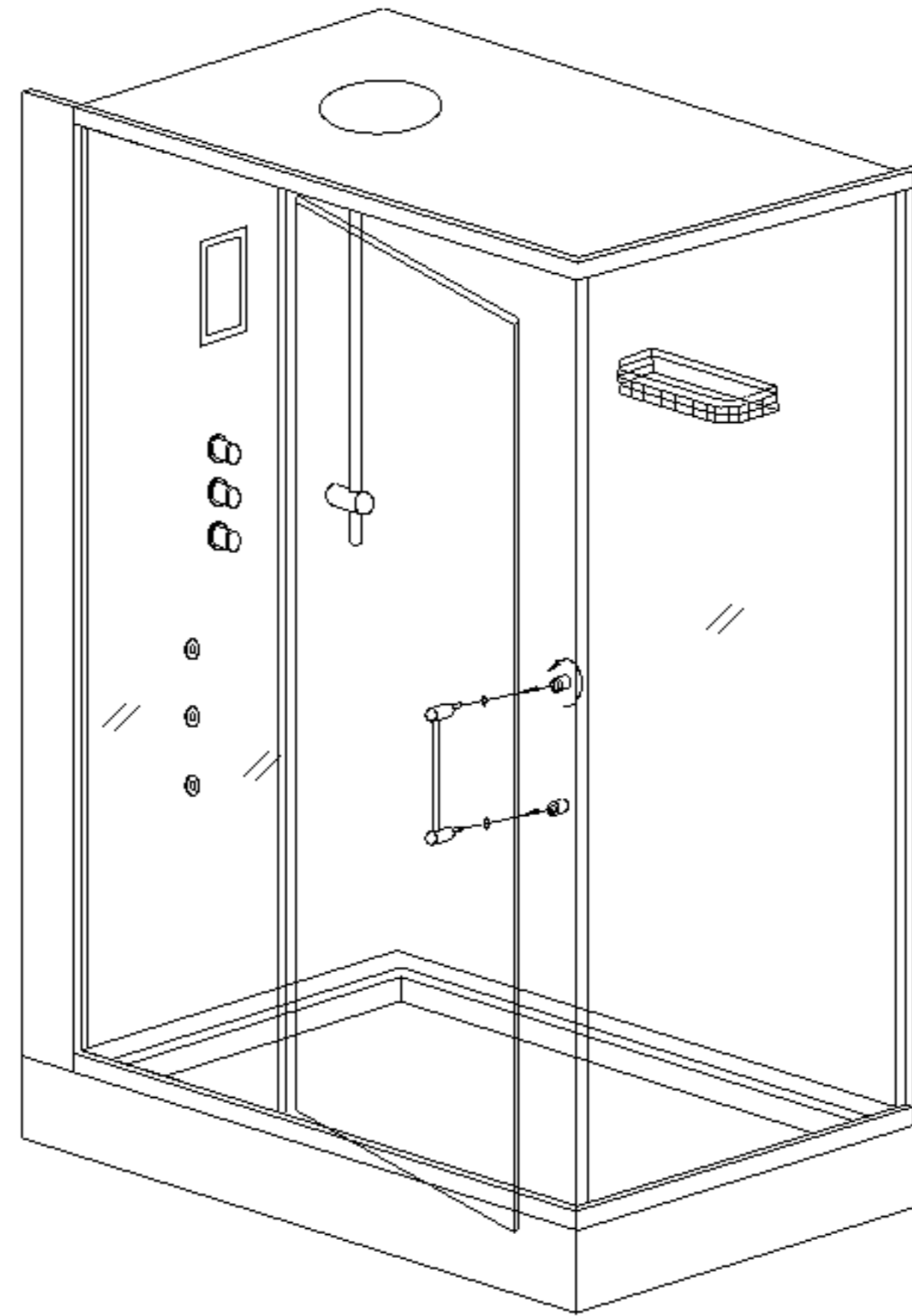
9. Install sliding shower bar



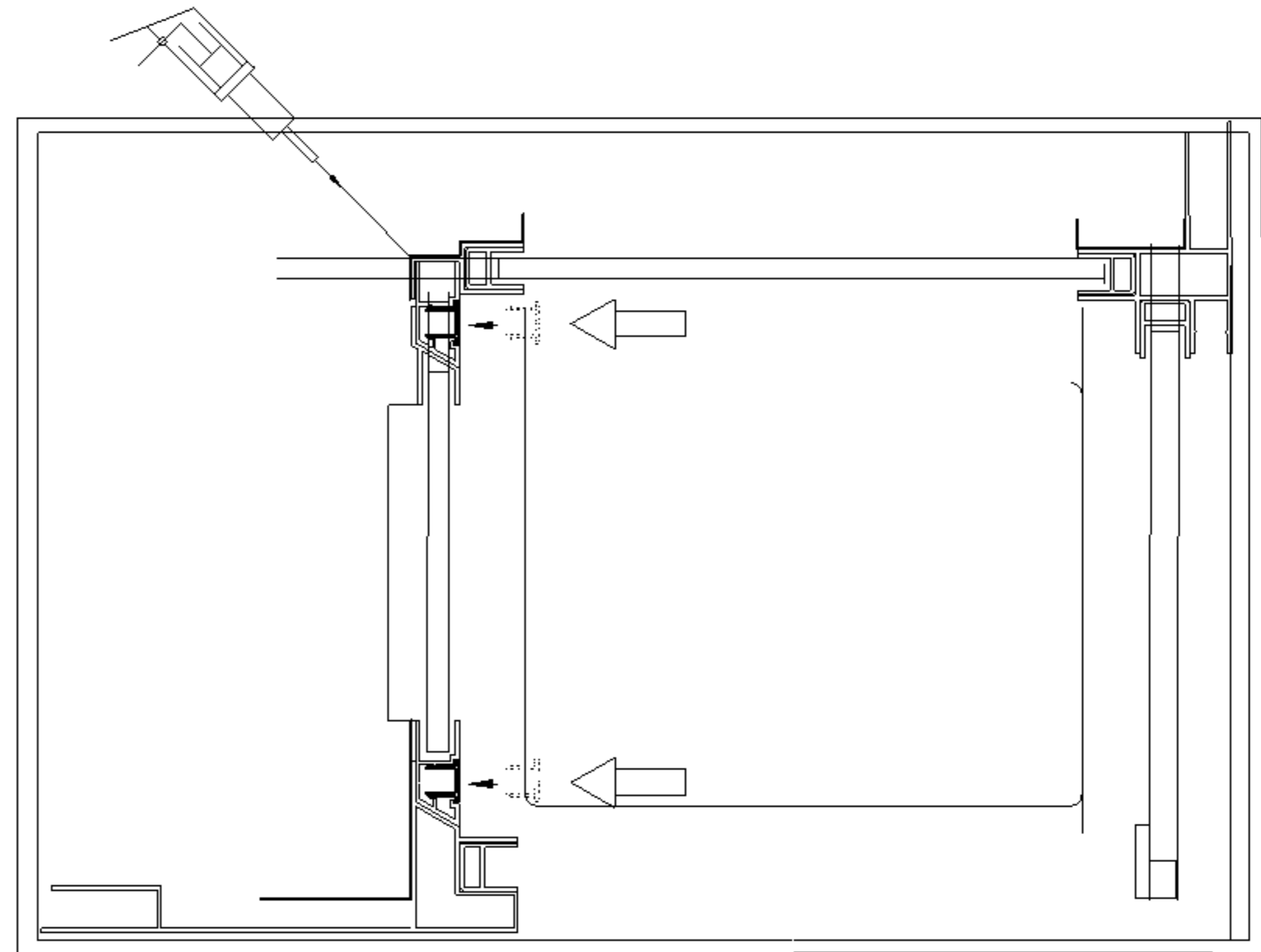
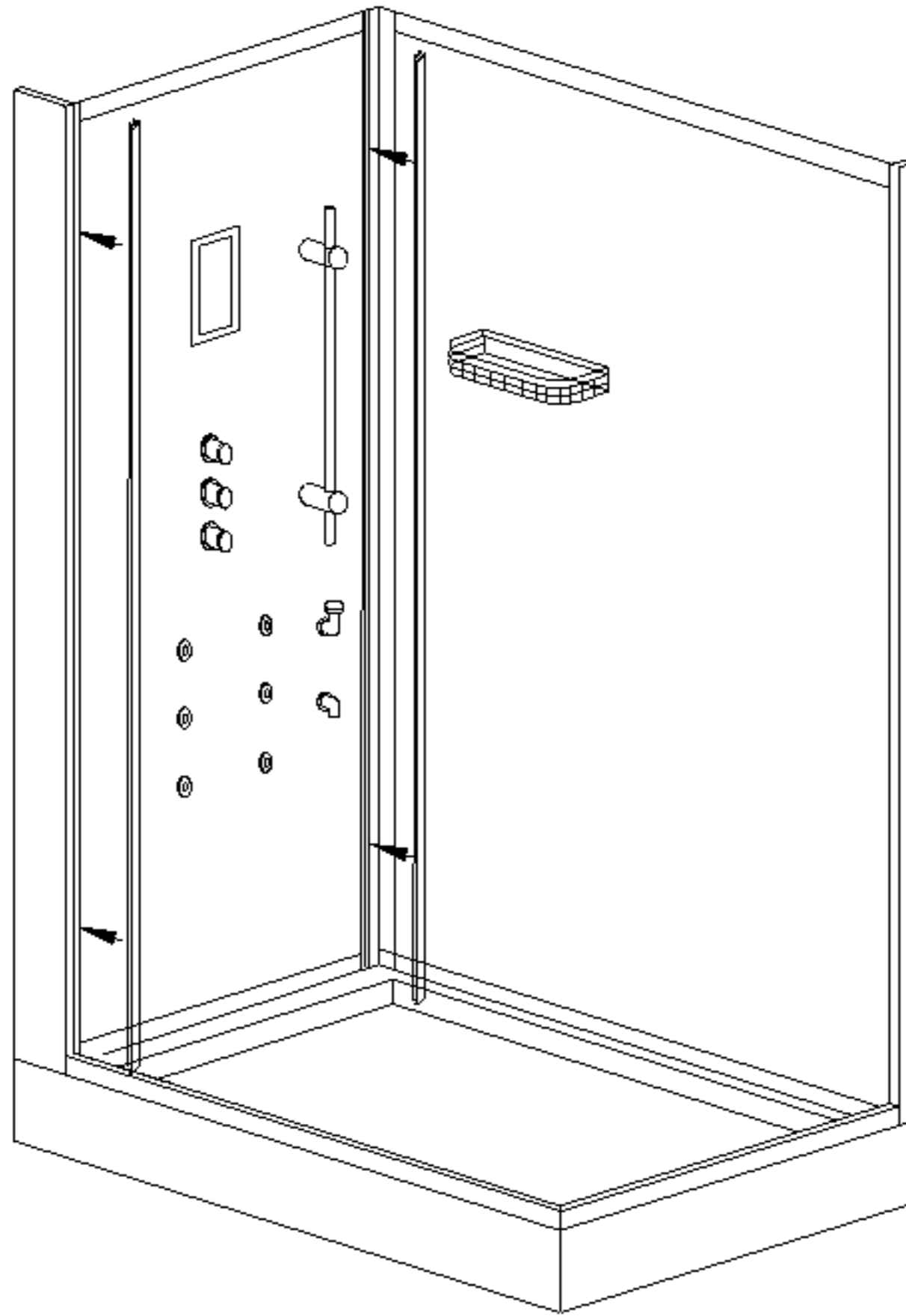
10. Install shampoo holder.



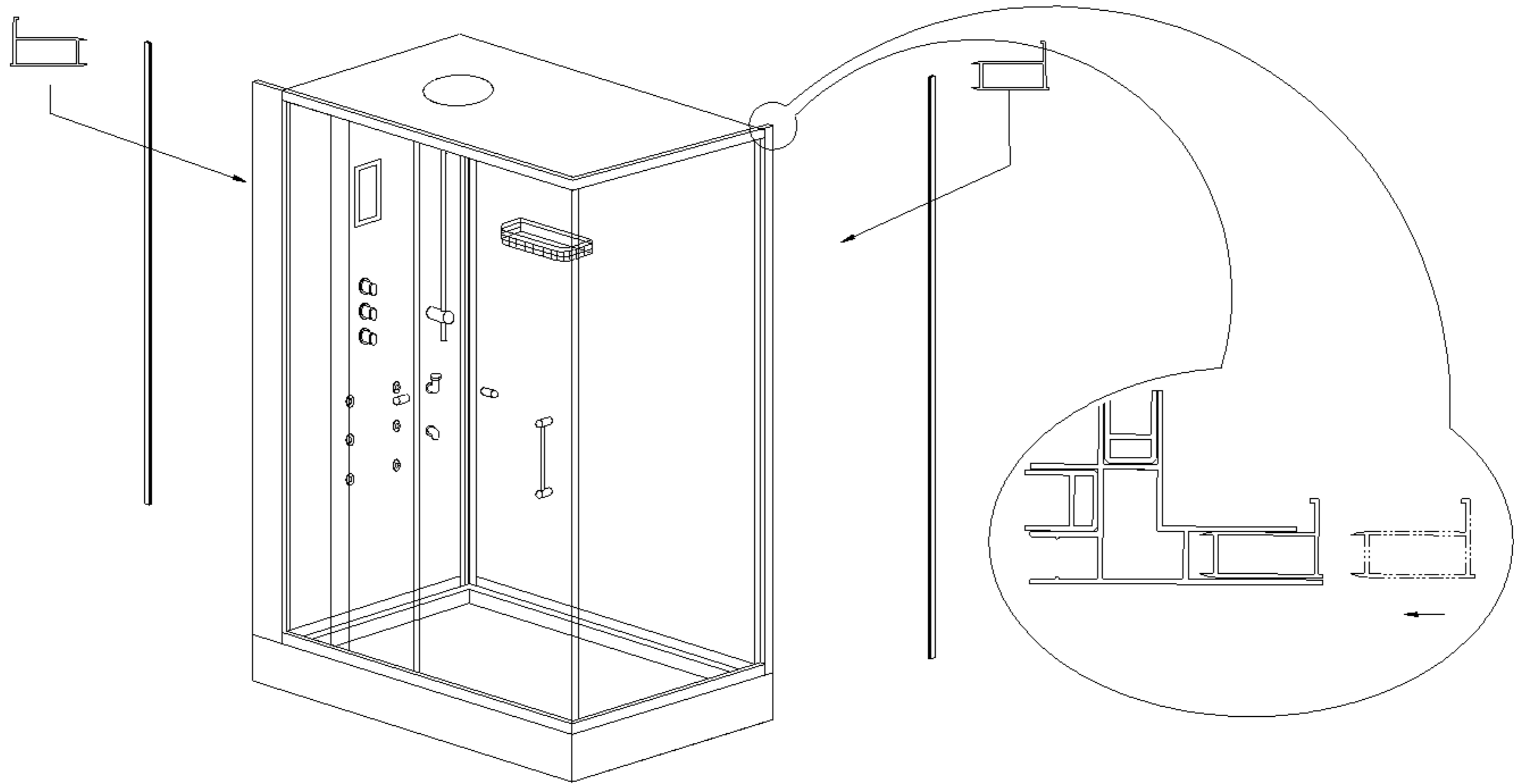
11. Install movable door .



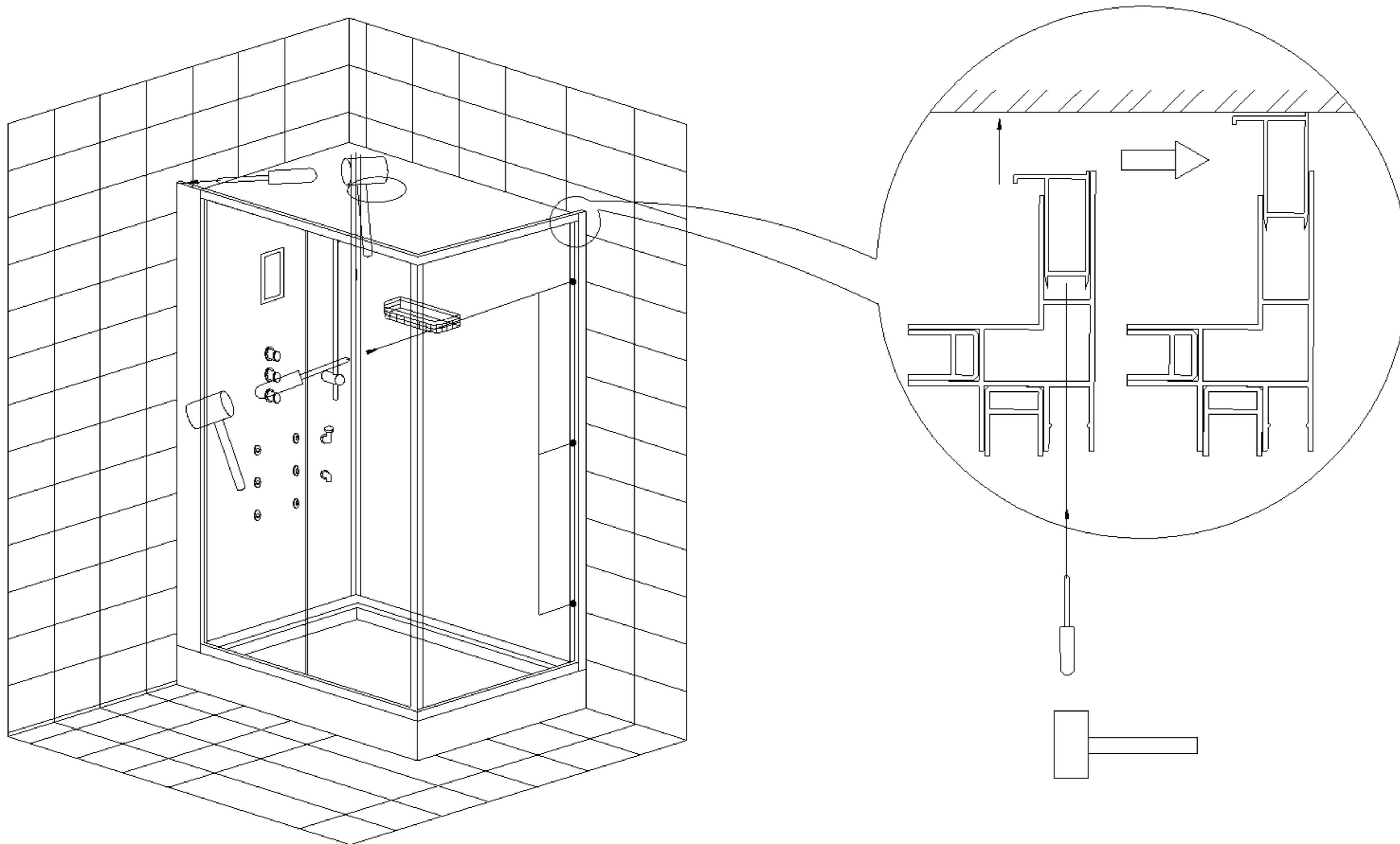
12. Install door handles.



13. Get the aluminum profile in. Apply silicone. No using within 24 hours

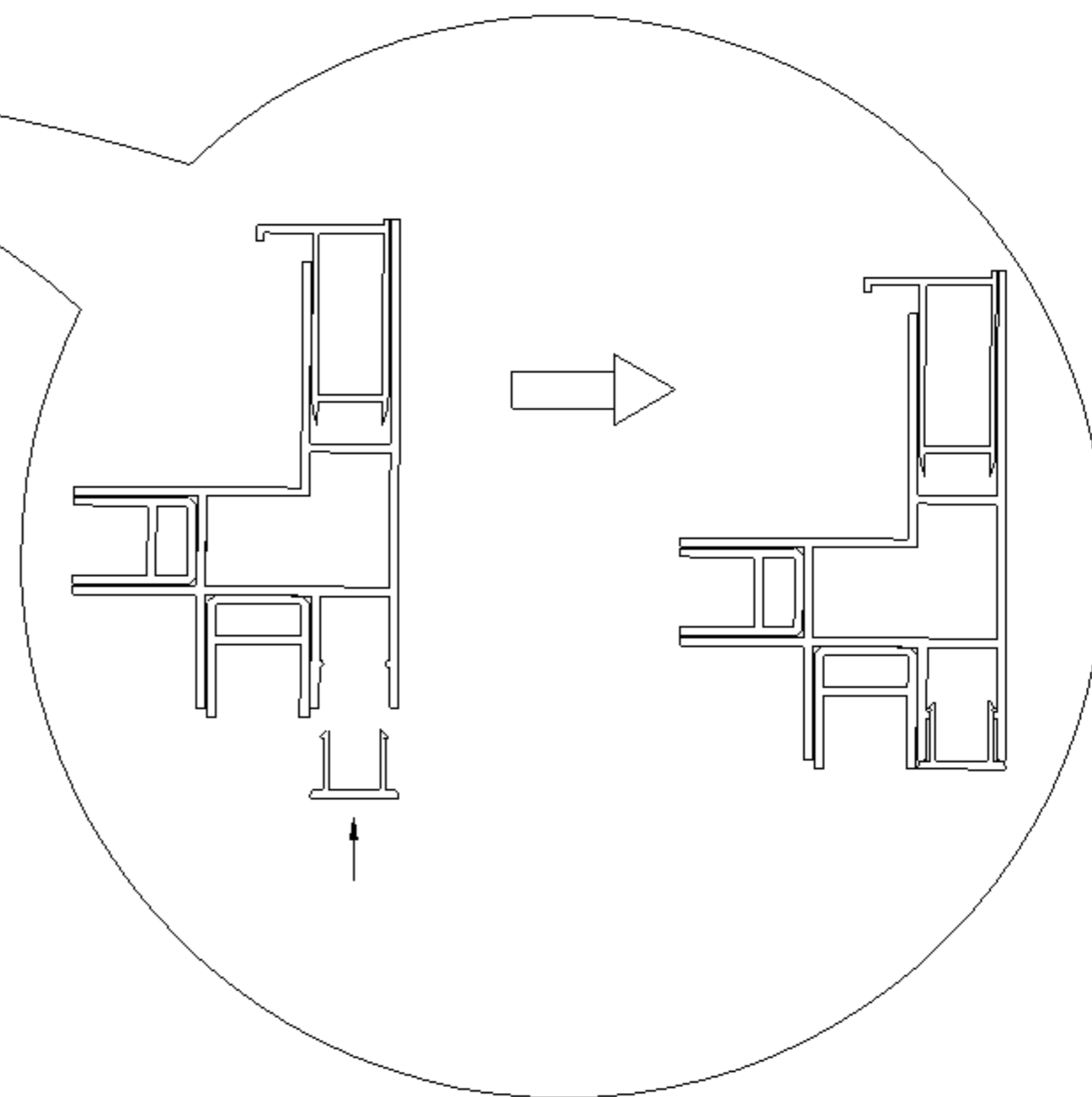
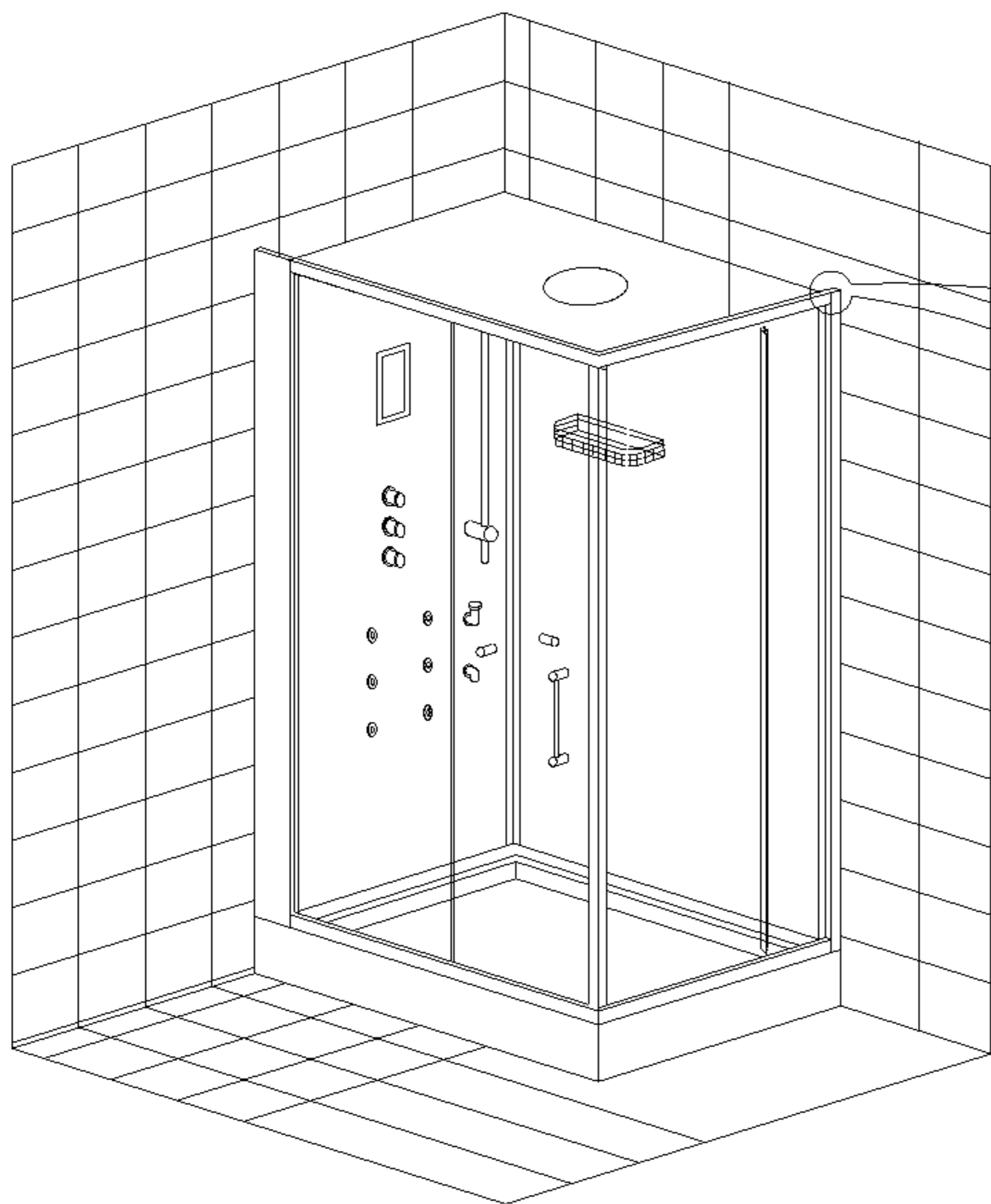


14. Get the aluminum profile in.



15. Adjust to get minimum gap between the product and the wall

- (1) Get water supply and power supply connected. Put drainage pipe into floor drain, Push the product against the wall.
- (2) Use screwdriver and hammer to push the aluminum profile inside the door frame well against the wall.



16. Get in the decoration aluminum profile.