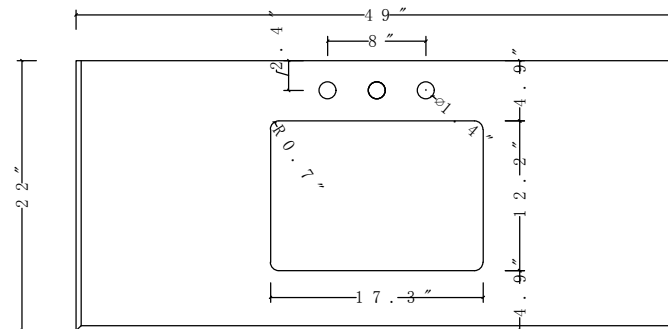
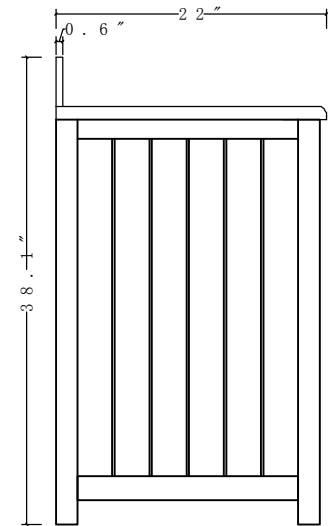
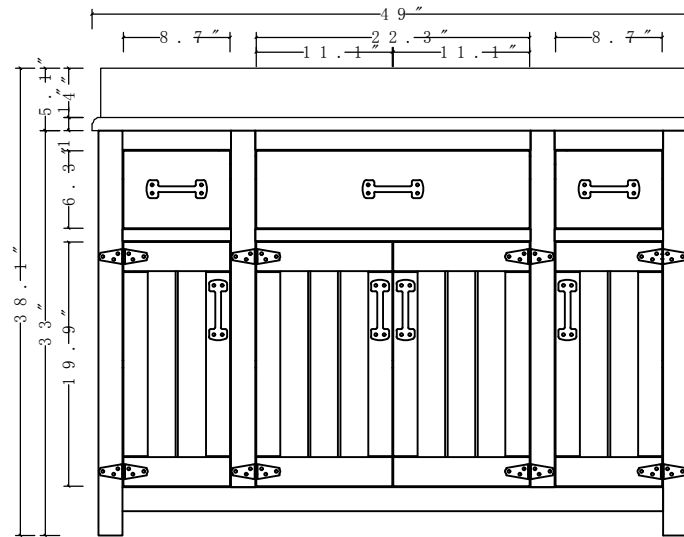
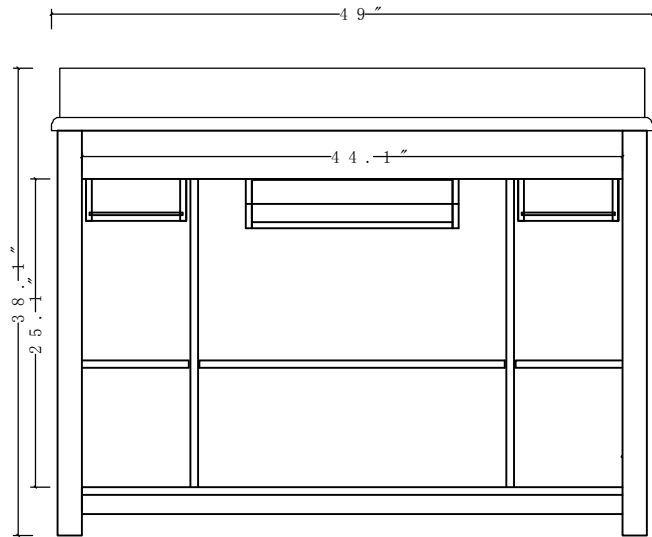
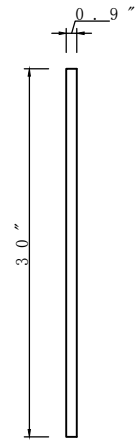
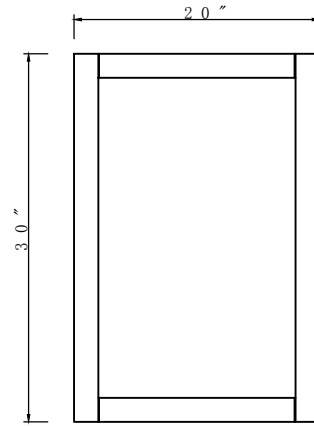


W L F 6 0 2 1 - M



WLF6044-48