

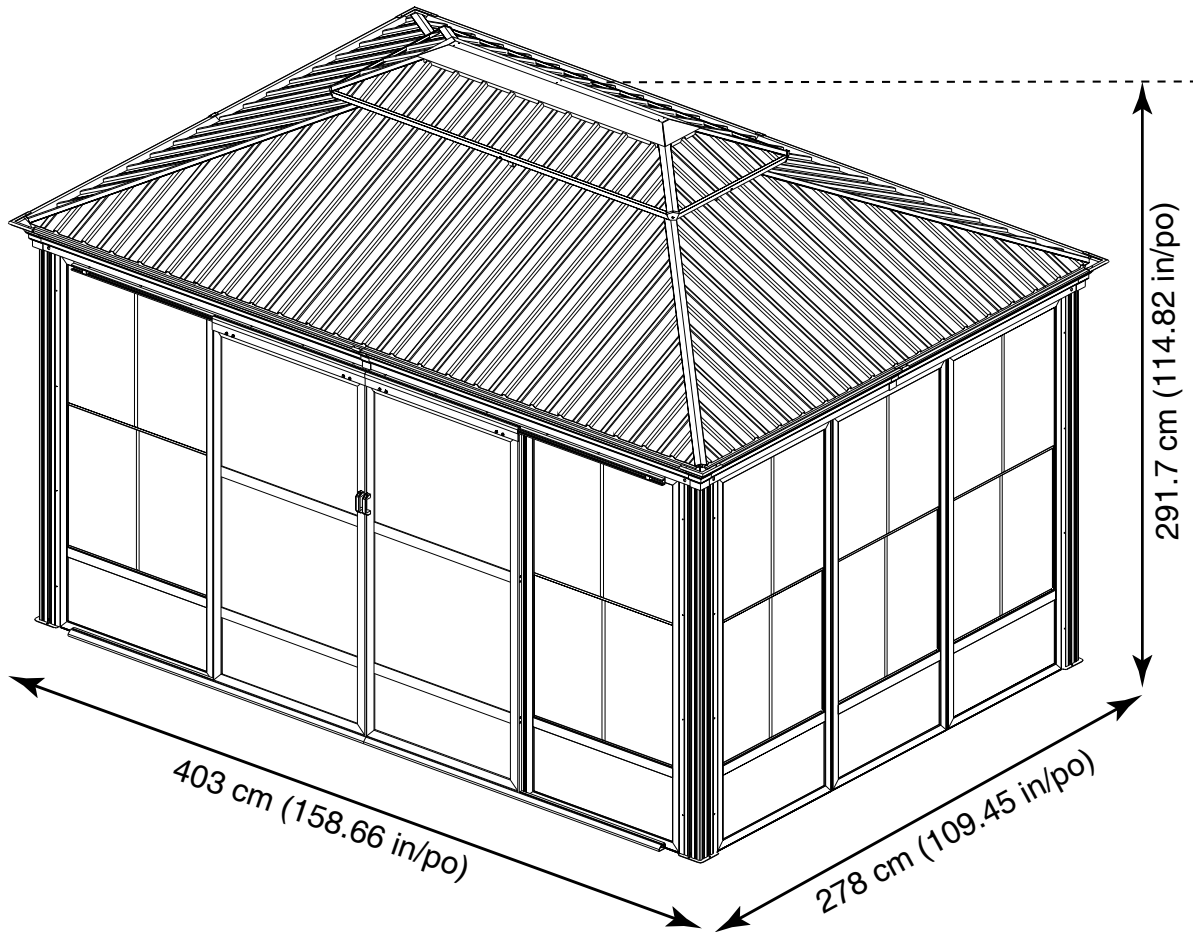
# SOJAG

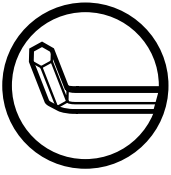
produits saisonniers • seasonal products



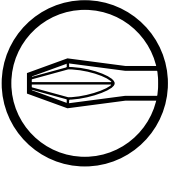
QUESTIONS? 1 866-901-1649

## Assembly Manual / Guide d'assemblage / Manual de ensamblaje / 조립설명서 / Montageanleitung





Use the hex keys in the box. / Utilisez les clés hexagonales fournies dans la boîte. / Utilice las llaves hexagonales en la caja. / 상자에 육각 키를 사용 하십시오. / Verwenden Sie die Sechskantschlüssel in der Box.



Please use a Phillips screwdriver. / Utilisez un tournevis de type Phillips / Por favor, use un destornillador Phillips. / 십자 드라이버를 사용 하십시오. / Bitte verwenden Sie einen Kreuzschraubenzieher.



You may need to use a drill for this step. / Vous pouvez avoir besoin d'utiliser une perceuse pour cette étape. / Puede que tenga que utilizar un taladro para este paso. / 이 단계에선 드릴을 사용해야 할 수도 있습니다. / Für diesen Schritt können Sie einen Bohrer verwenden.



Wearing protective gloves is recommended. / Le port de gants de protection est recommandé / El uso de guantes de protección se recomienda. / 보호 장갑을 착용 하는 것이 좋습니다. / Das Tragen von Schutzhandschuhen wird empfohlen.



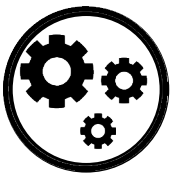
Two or more people are required at this stage. / Deux personnes ou plus sont nécessaires à cette étape. / Dos o más personas se requieren en esta etapa. / 이 단계에서는 두 명 이상이 필요합니다. / Für diesen Bauschritt sind 2 oder mehr Personen erforderlich.



Do not tighten screws all the way for now. / Ne pas visser fermement pour l'instant. / No atornille con firmeza por ahora. / 아직 나사를 단단히 조이지 마십시오. / Bitte die Schrauben zum jetzigen Zeitpunkt noch nicht fest anziehen.

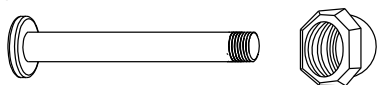


Sold separately. / Vendus séparément. / vendido en las opciones. / 옵션 판매 / Optional erhältlich

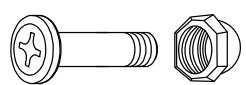


Optional step / Étape optionnelle / Paso opcional / 선택적 단계 / Optionaler Schritt

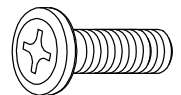
**S** X 12(+2)



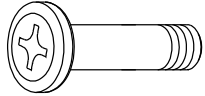
**T** X 72(+7)



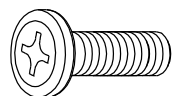
**U** X 17(+2)




**U1** X 4(+1)



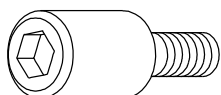
**V** X 172(+10)



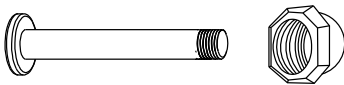
**Wa** X 2(+1)



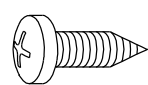
**X** X 16(+2)



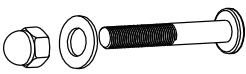
**X1** X 8(+1)



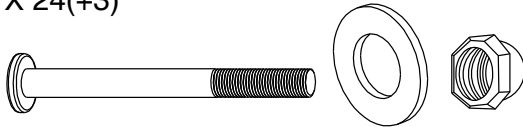
**Y** X 88(+9)



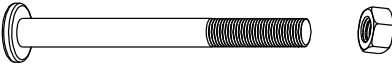
**B10** X 16(+2)




**Z1** X 24(+3)



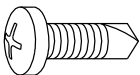
**Z2** X 24(+3)




**Z3** X 16(+2)



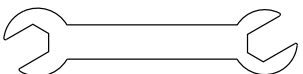
**Z4** X 32(+4)


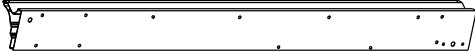

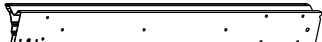

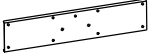

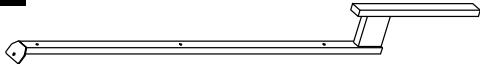







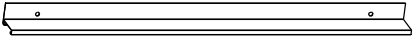


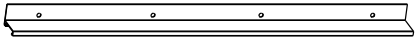


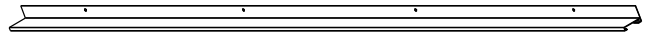





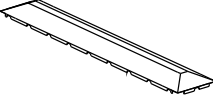
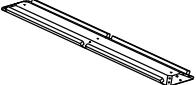
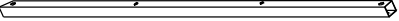

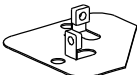

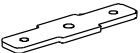



**G3** X 1

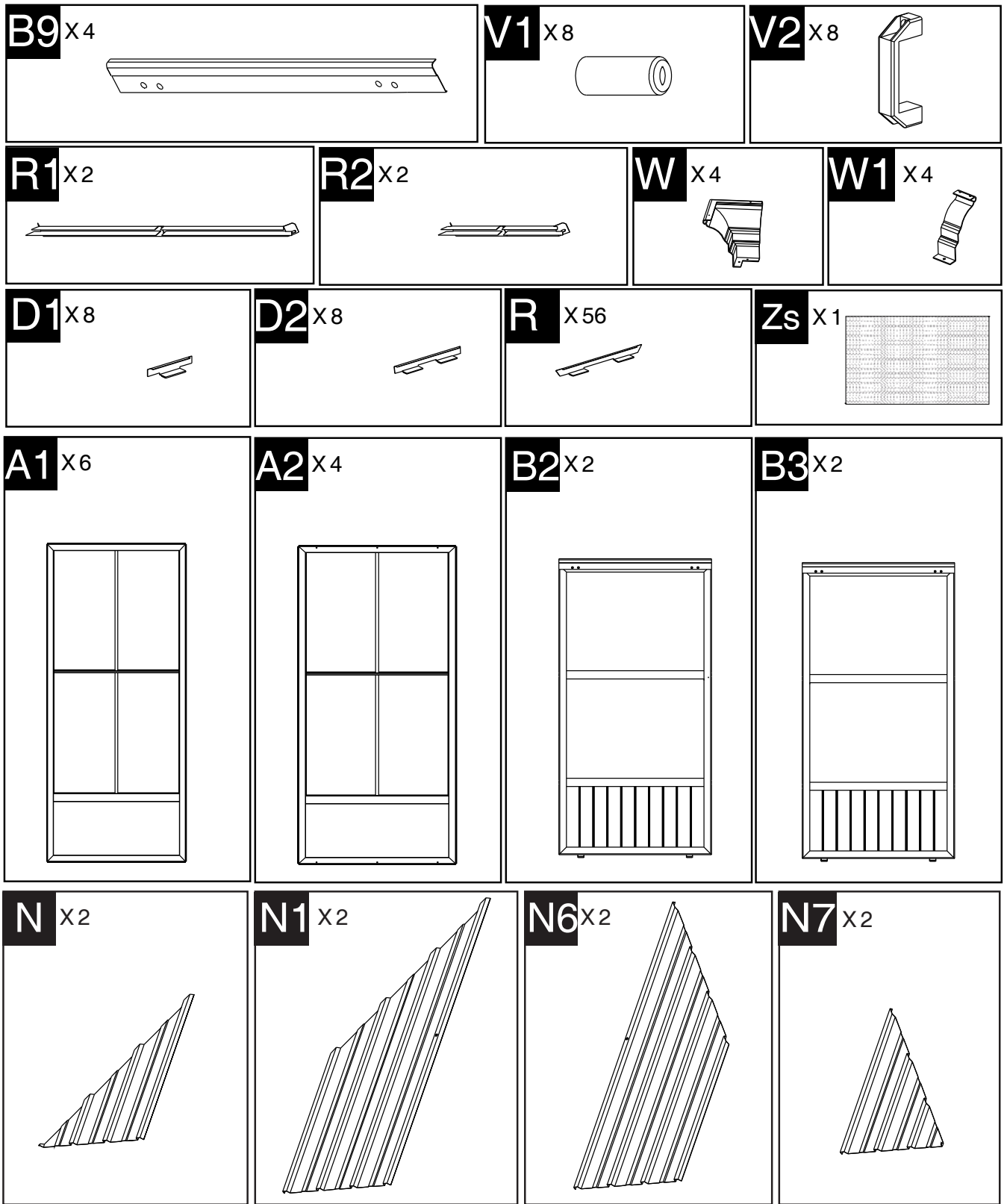


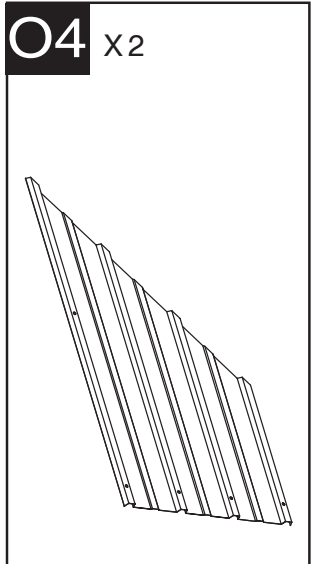
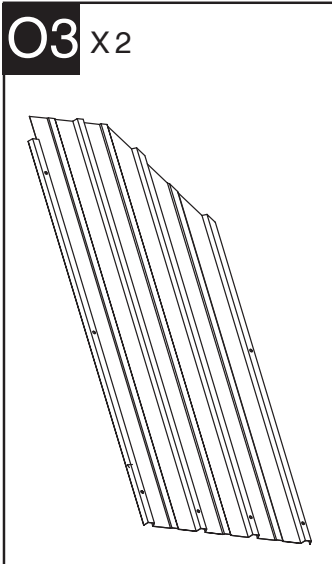
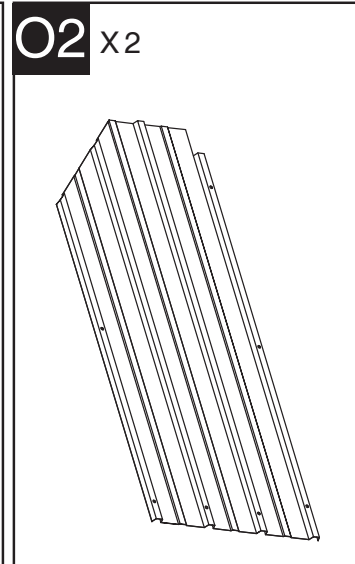
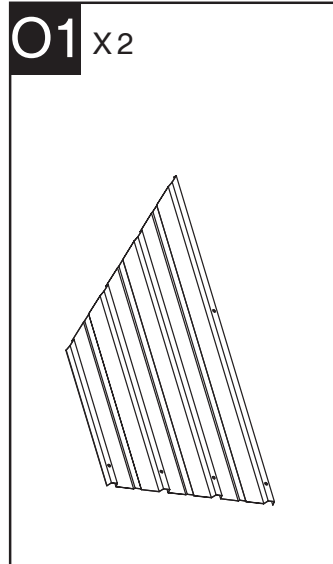
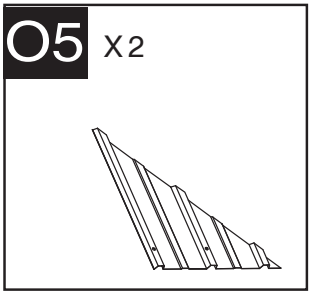
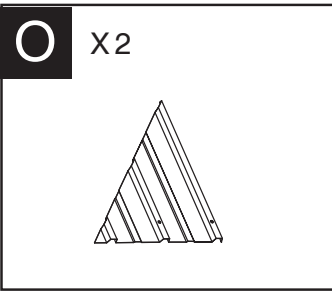
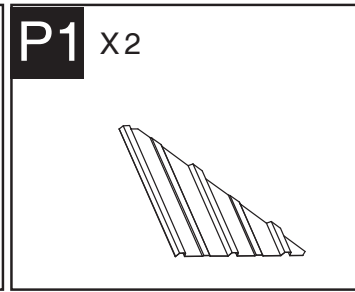
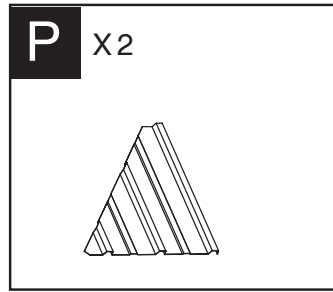
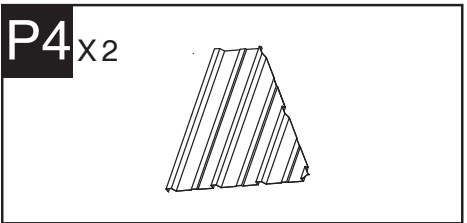
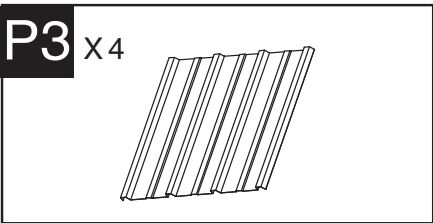
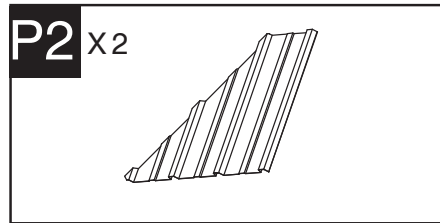
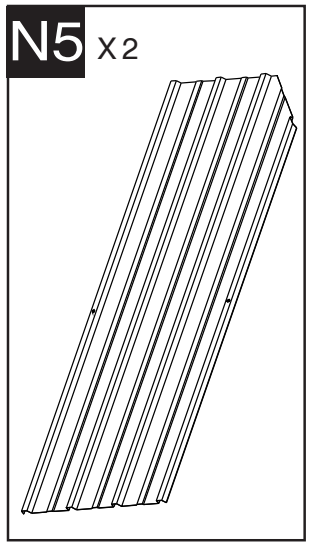
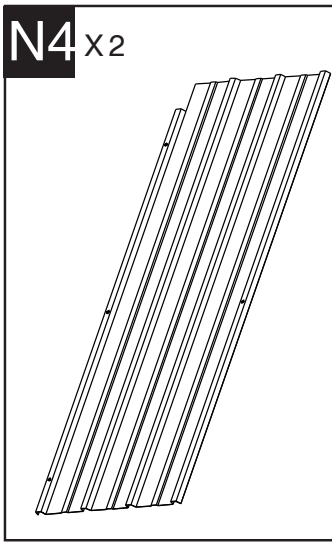
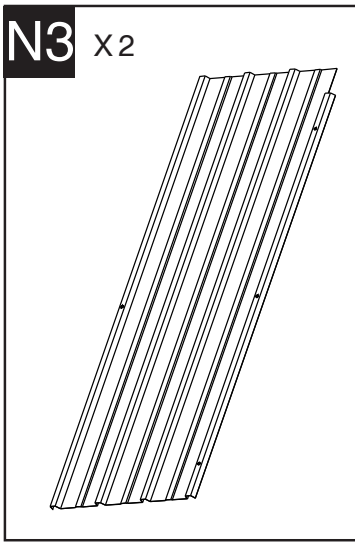
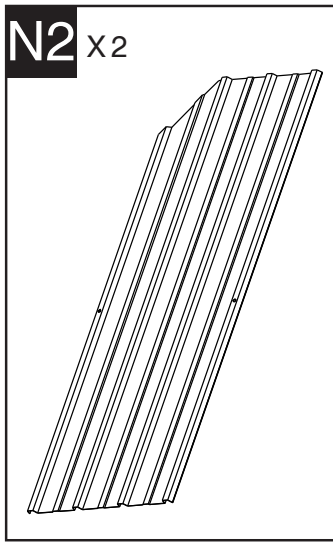
**G4** X 1

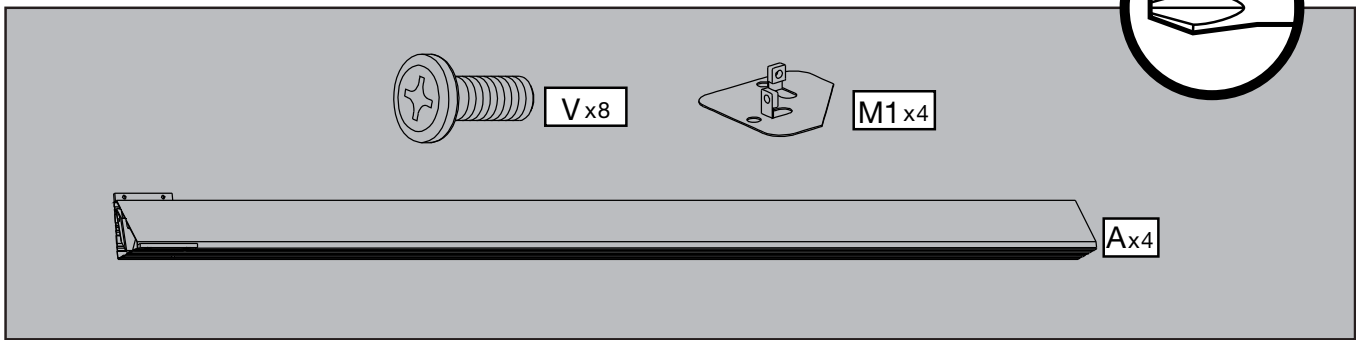
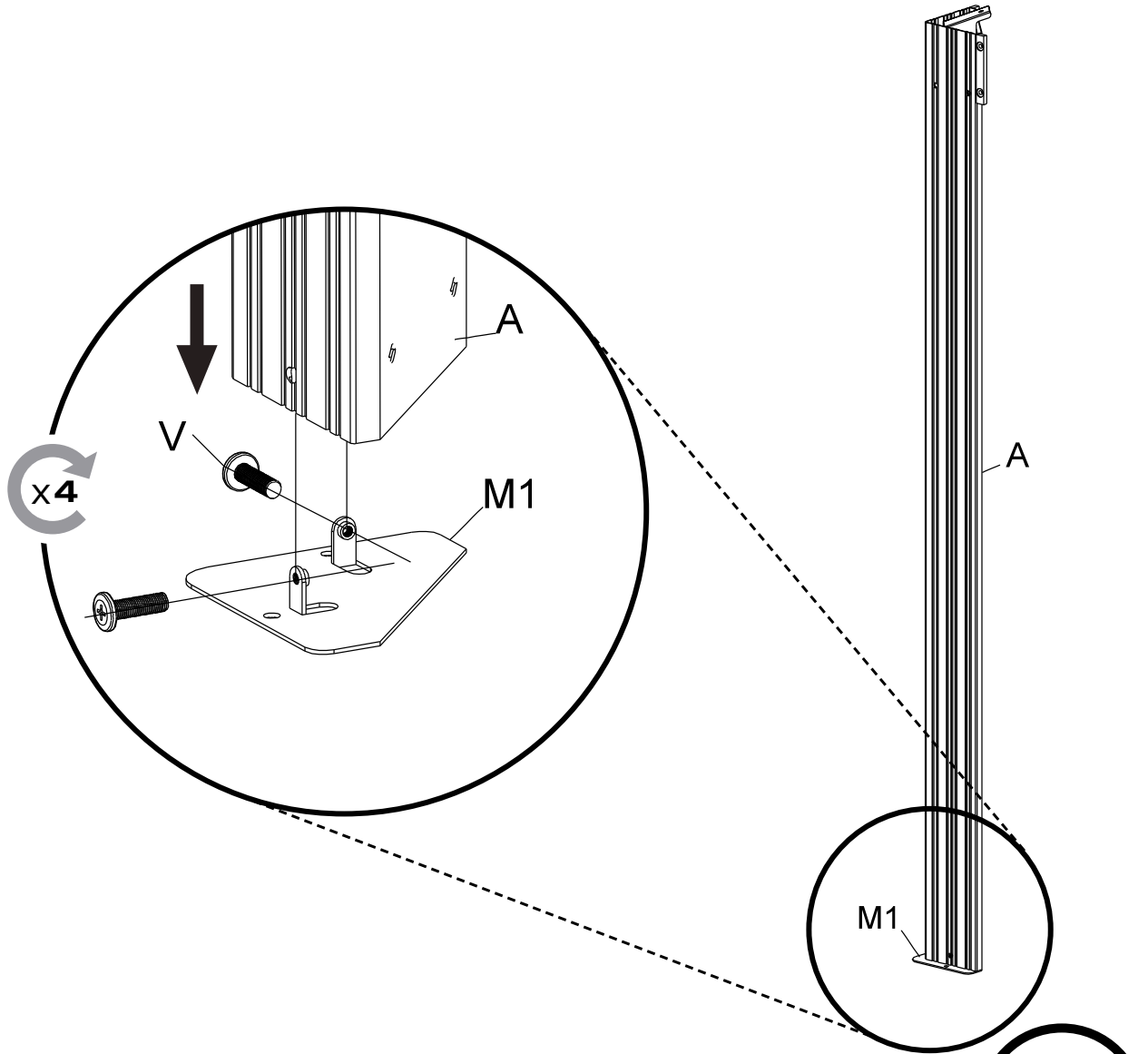


<b>A</b> X4 	<b>B</b> X2 
<b>B1</b> X2 	<b>C1</b> X2 
<b>C</b> X2 	<b>D</b> X4 
<b>E</b> X4 	<b>E1</b> X4 
<b>F</b> X4 	<b>F1</b> X2 
<b>F2</b> X2 	<b>F3</b> X2 
<b>F4</b> X2 	<b>G1</b> X2 
<b>G2</b> X2 	<b>H1</b> X8 

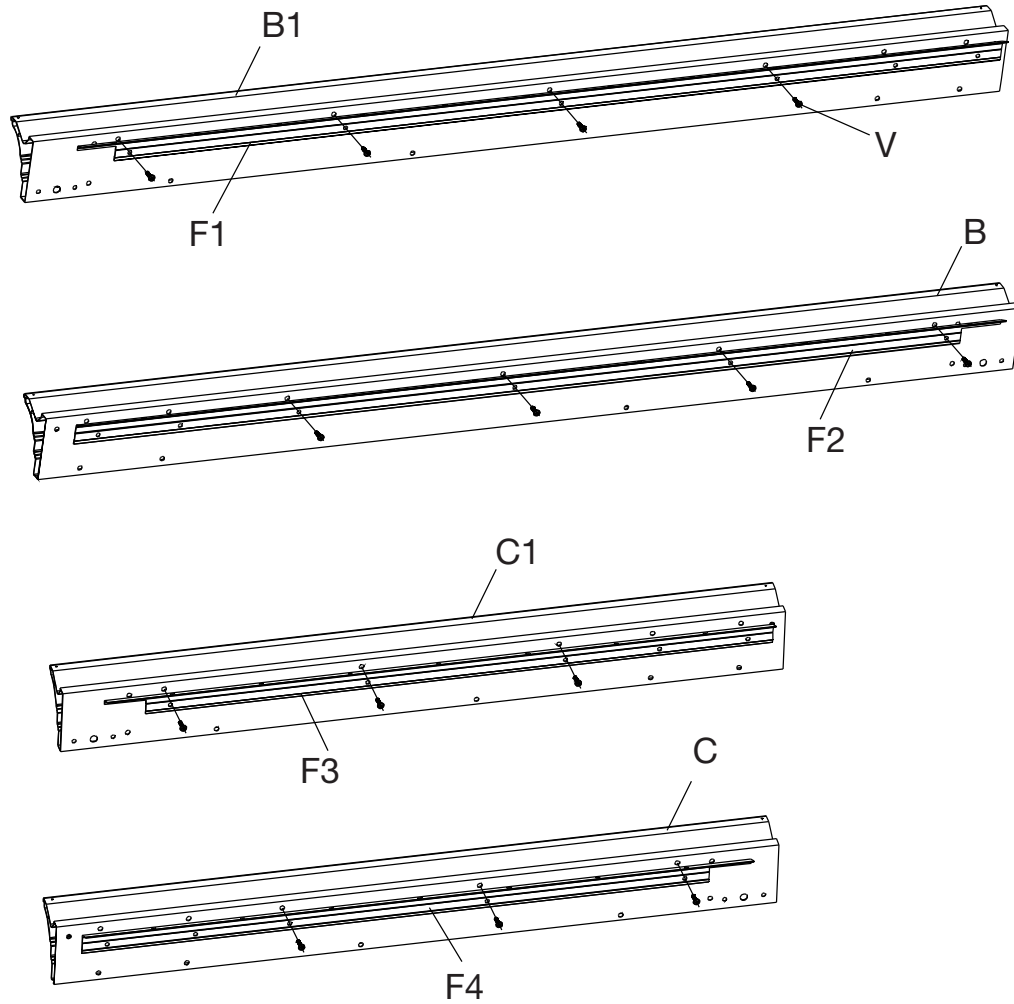
<b>H2</b> X4 	<b>I</b> X8 		
<b>I1</b> X8 	<b>I2</b> X8 		
<b>I3</b> X4 	<b>I4</b> X2 		
<b>I5</b> X2 	<b>J</b> X2 		
<b>J1</b> X2 	<b>K</b> X1 		
<b>K1</b> X1 	<b>L1</b> X4 		
<b>L2</b> X4 	<b>M1</b> X4 	<b>M2</b> X8 	
<b>M3</b> X4 	<b>M4</b> X4 	<b>B5</b> X8 	<b>B8</b> X8 



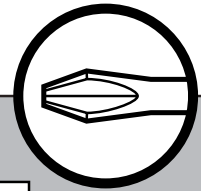













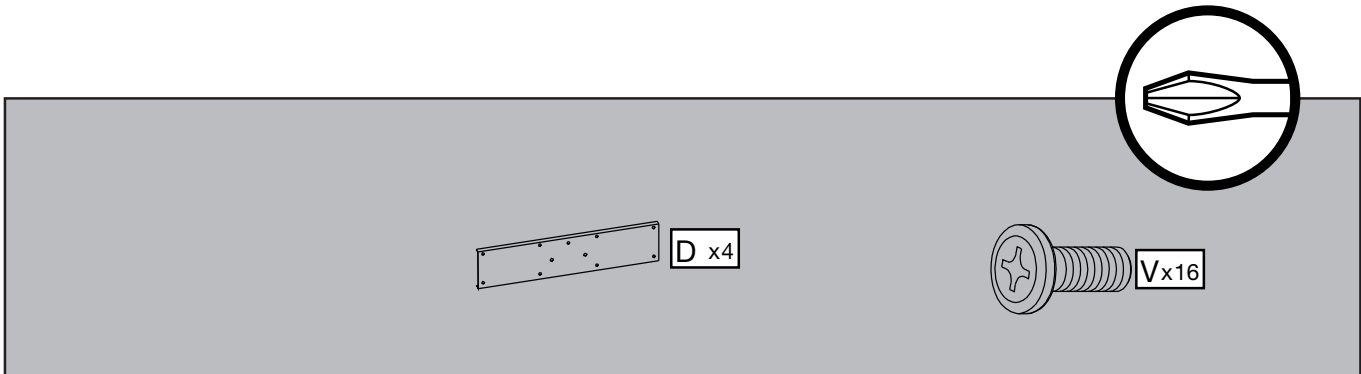
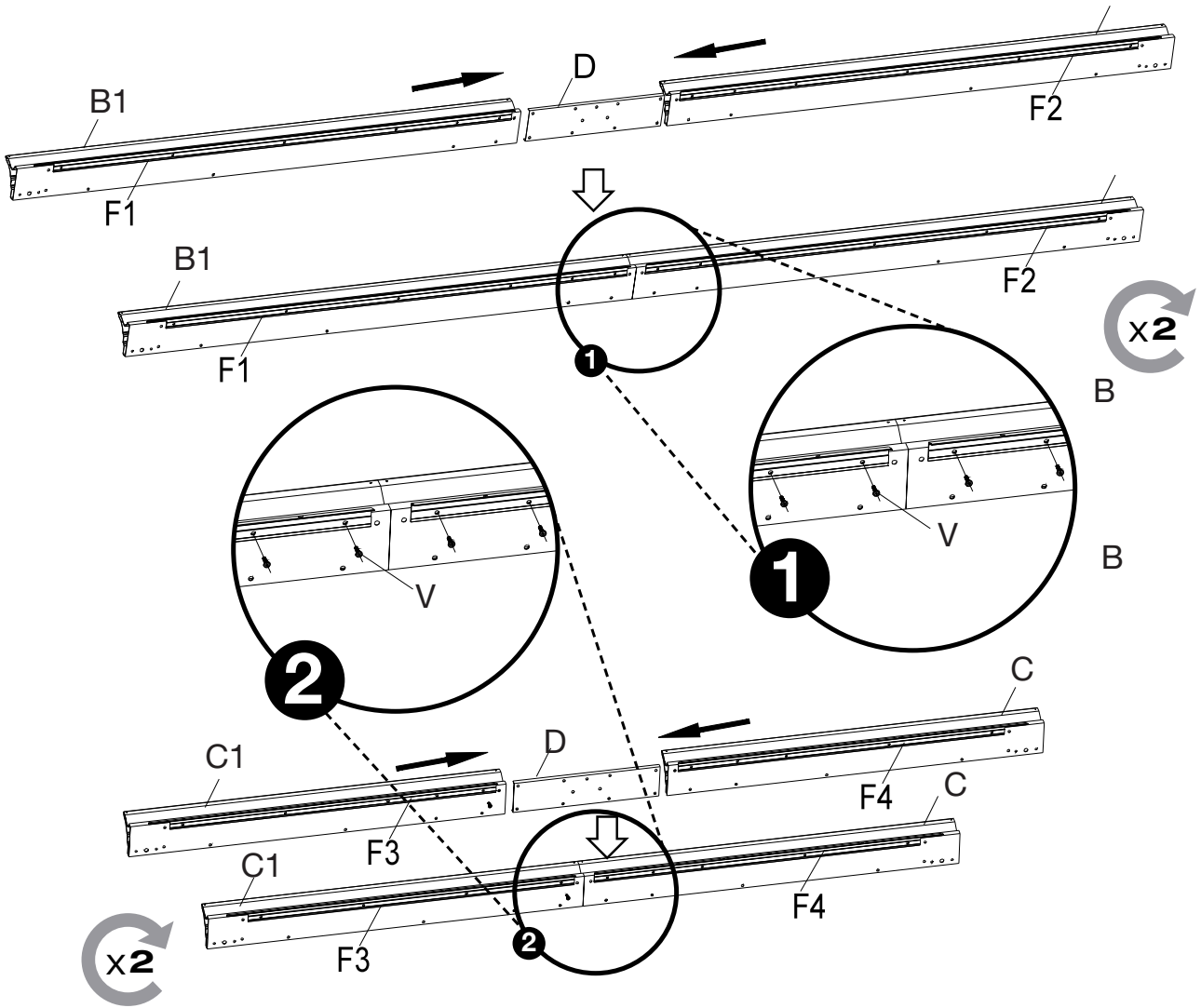


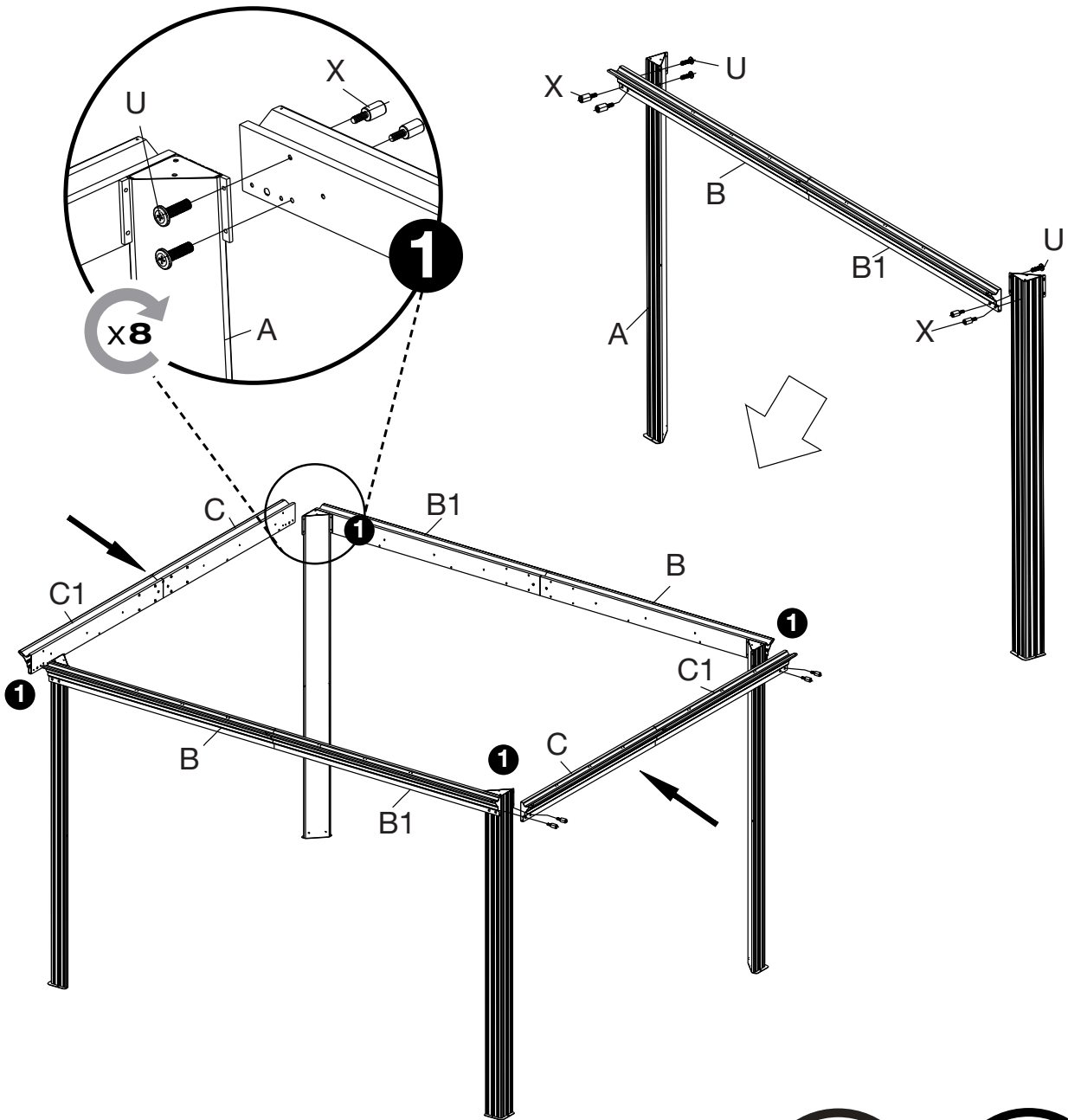


x2

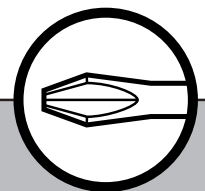
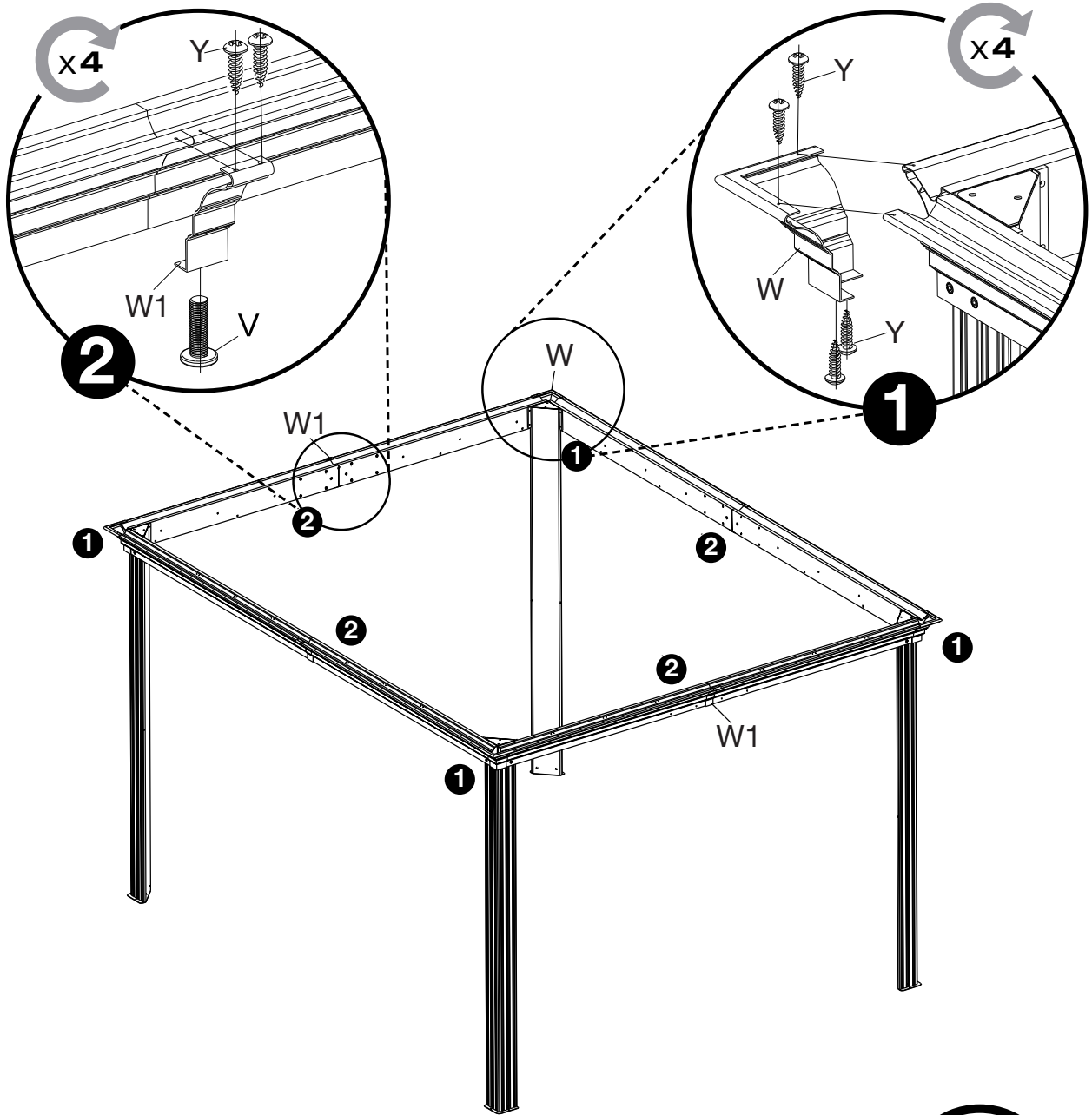


	B x2		C x2		V x28
	B1 x2		C1 x2		
	F1 x2		F3 x2		
	F2 x2		F4 x2		



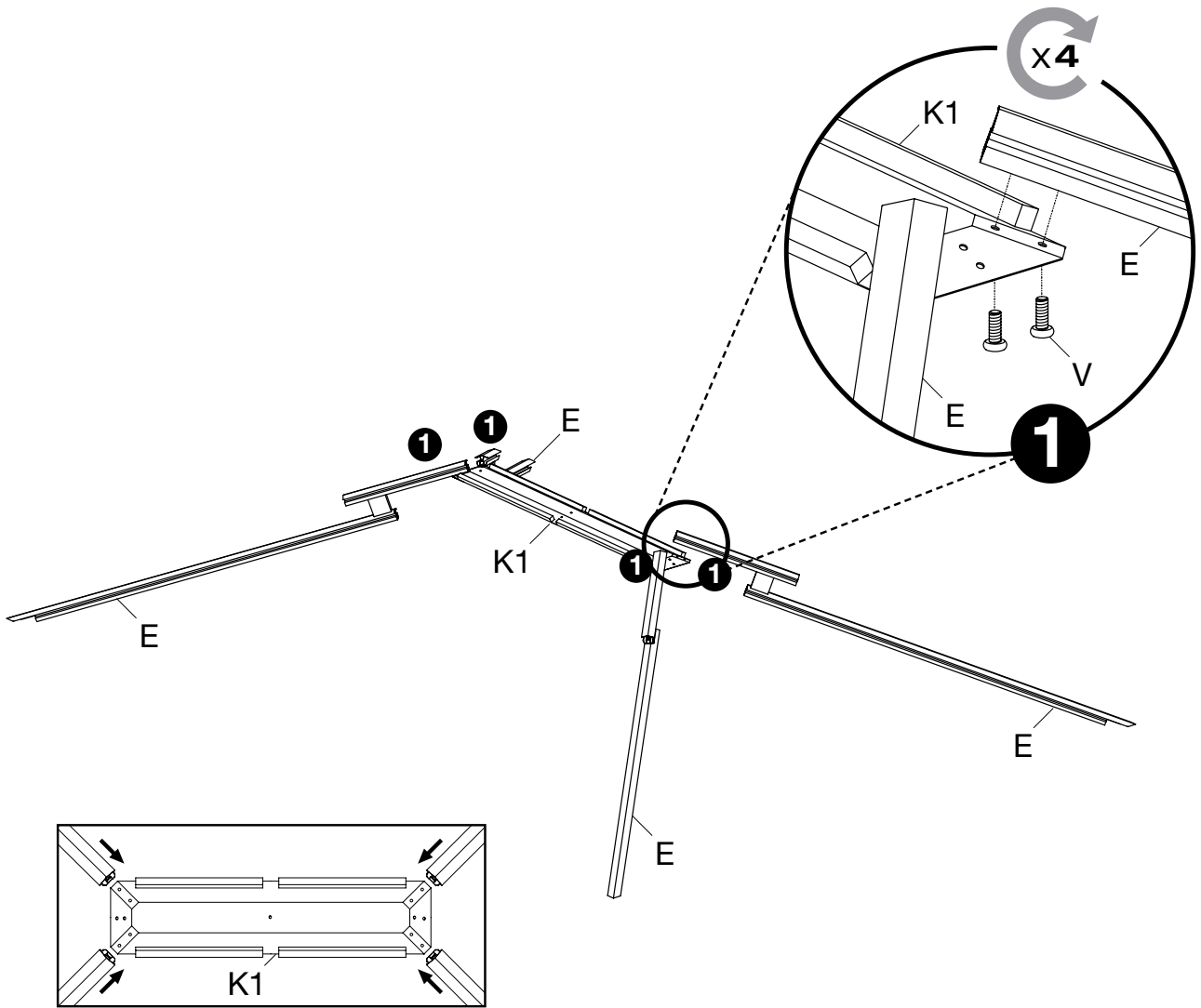


This section contains the parts list and icons for step 1. On the left, there is a long screw labeled 'Xx16'. In the center, there is a shorter screw labeled 'Ux16'. To the right of the screws are two circular icons: one showing two people and the number '2+', and another showing a hand using a screwdriver.



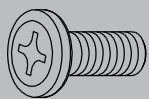
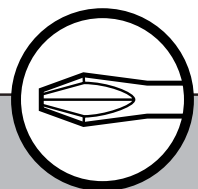
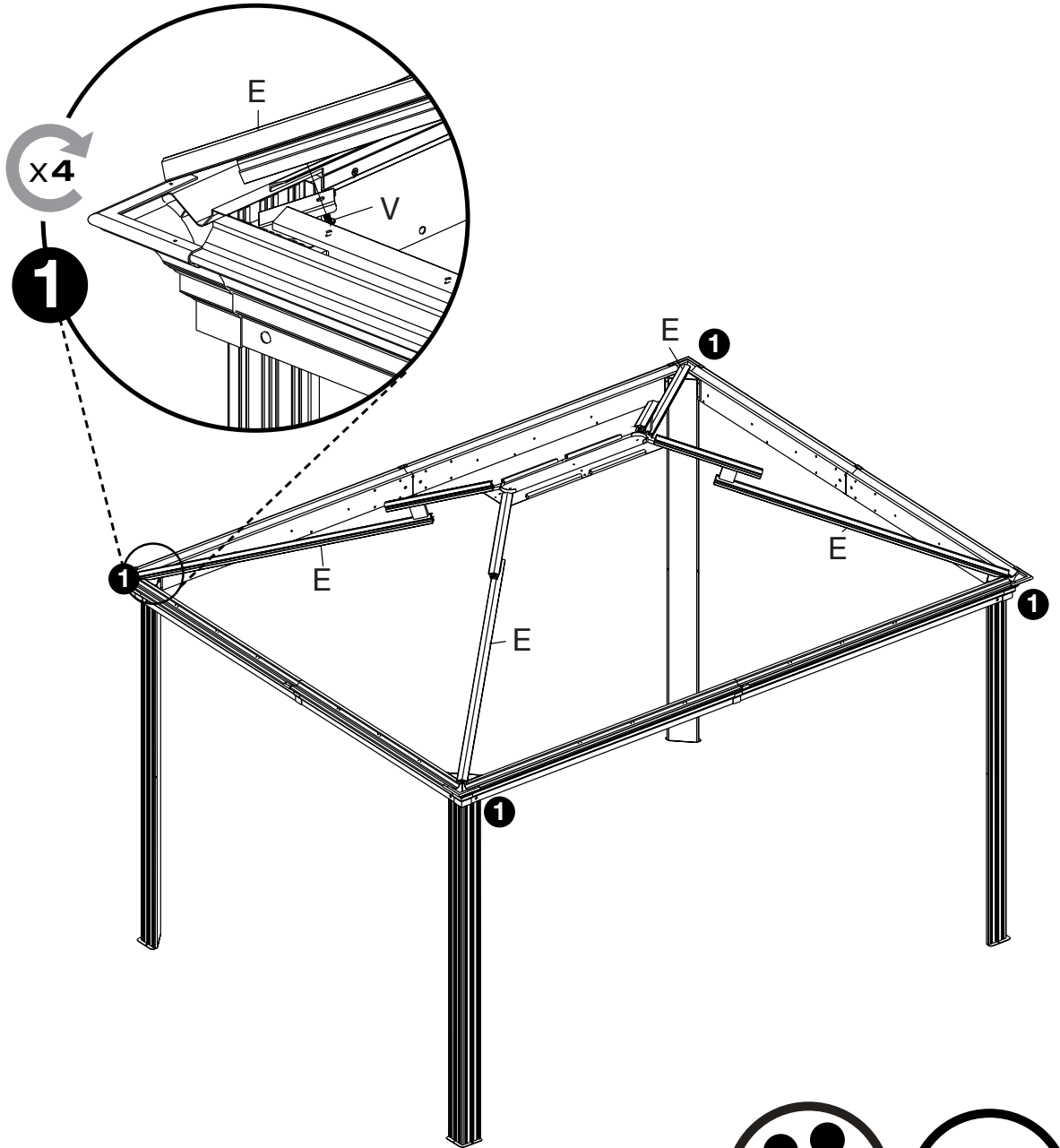
A grey rectangular area containing the parts list for this step. It includes:

- A component labeled **W x4**.
- A component labeled **W1 x4**.
- A screw labeled **Y x24**.
- A bolt labeled **V x4**.

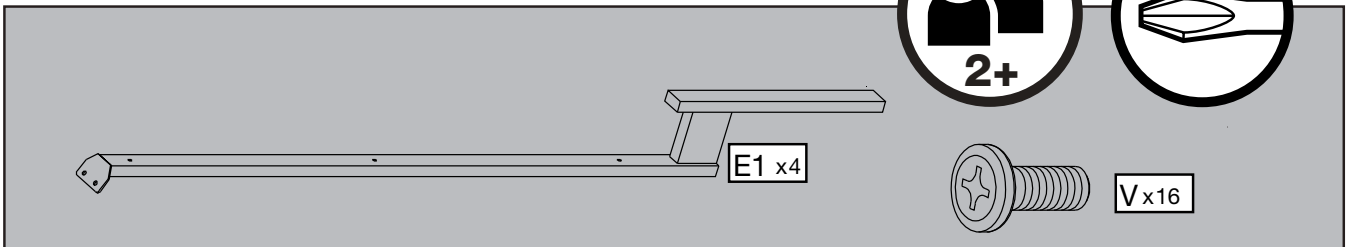
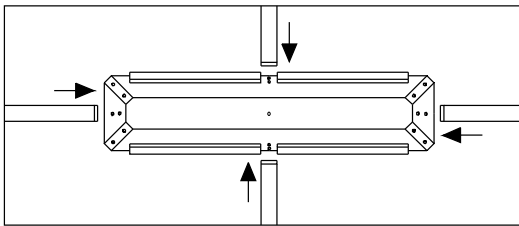
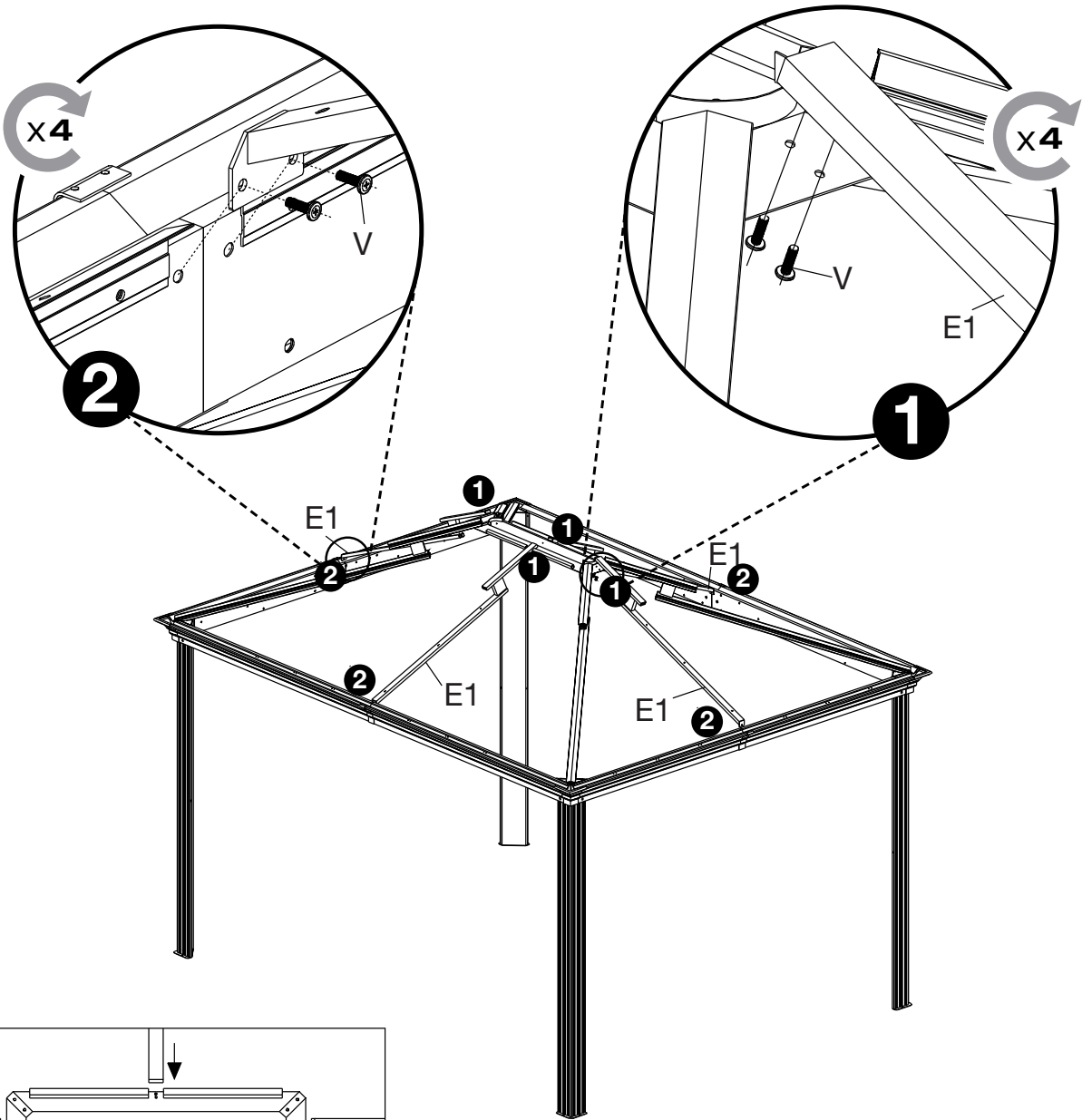


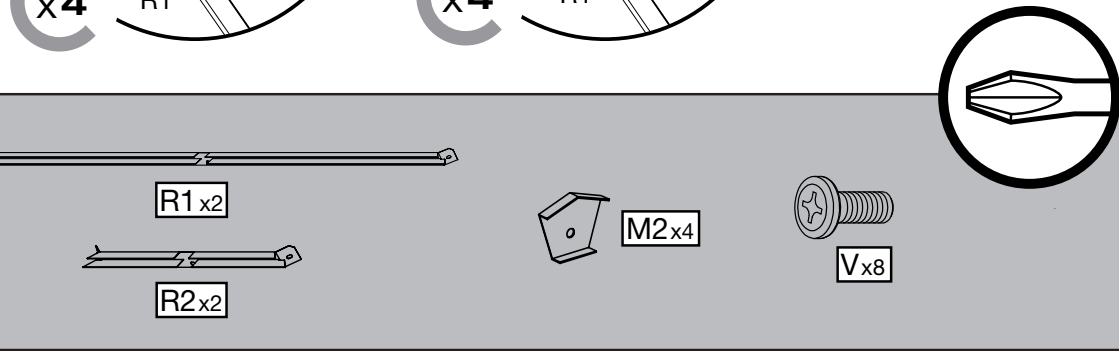
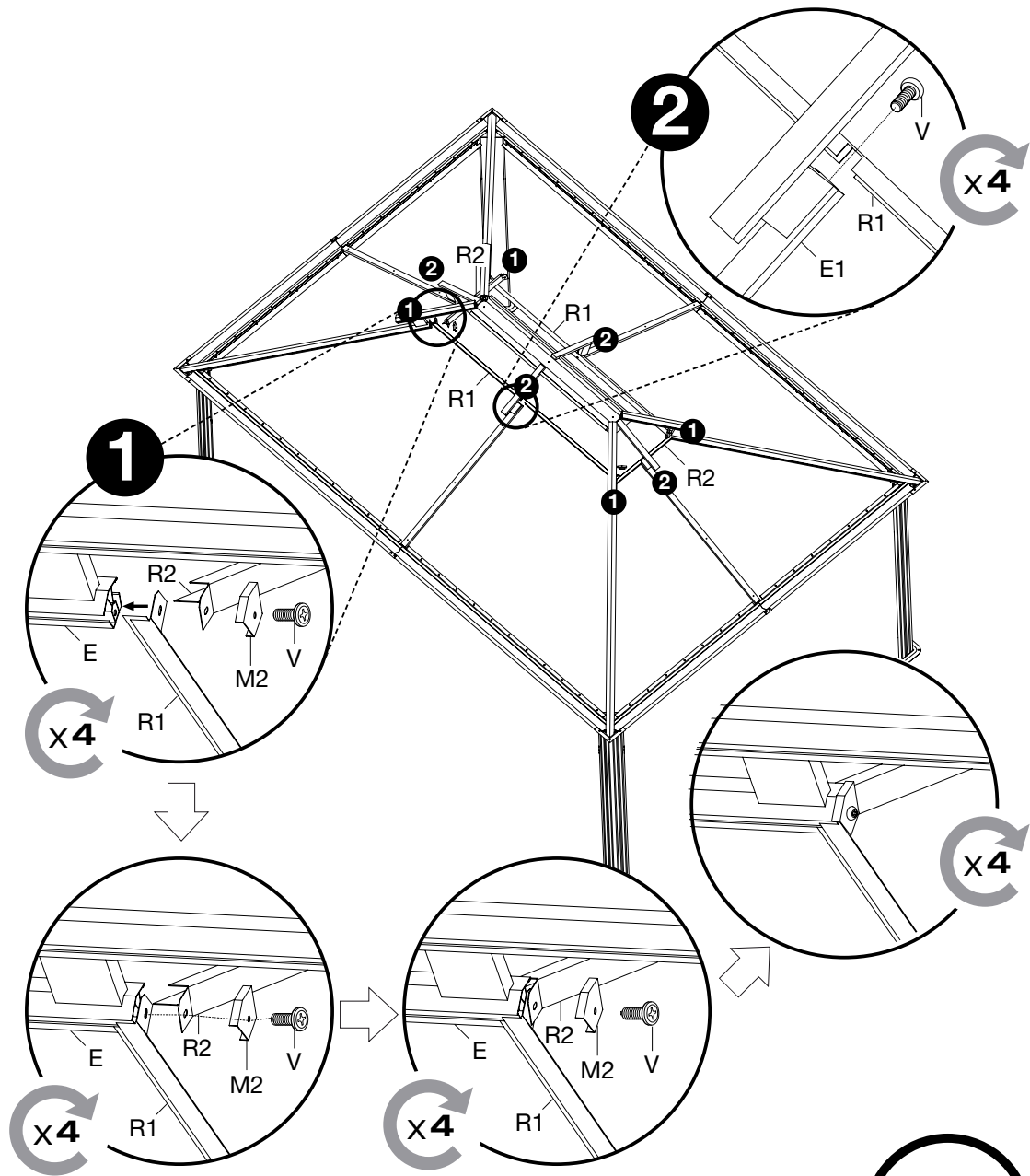
This section contains the parts list and icons for the assembly step. It includes:

- A box containing the label **K1 x1** next to a drawing of the central connector.
- A box containing the label **E x4** next to a drawing of one of the beams.
- A box containing the label **V x8** next to a drawing of a screw.
- An icon showing two people, with the number **2+** below it, indicating that at least two people are required for this step.
- An icon showing a pair of pliers, indicating that pliers are needed for this step.

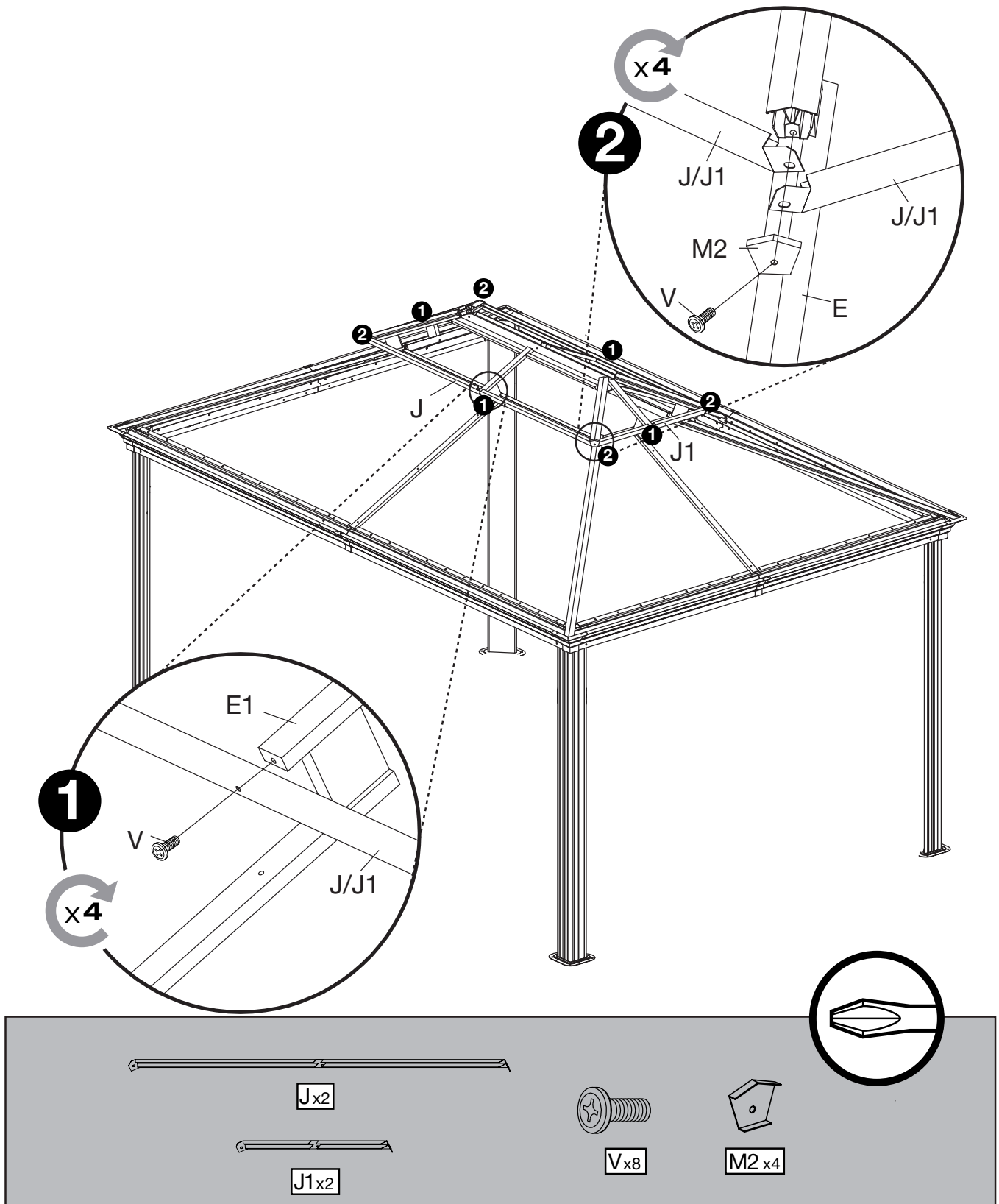


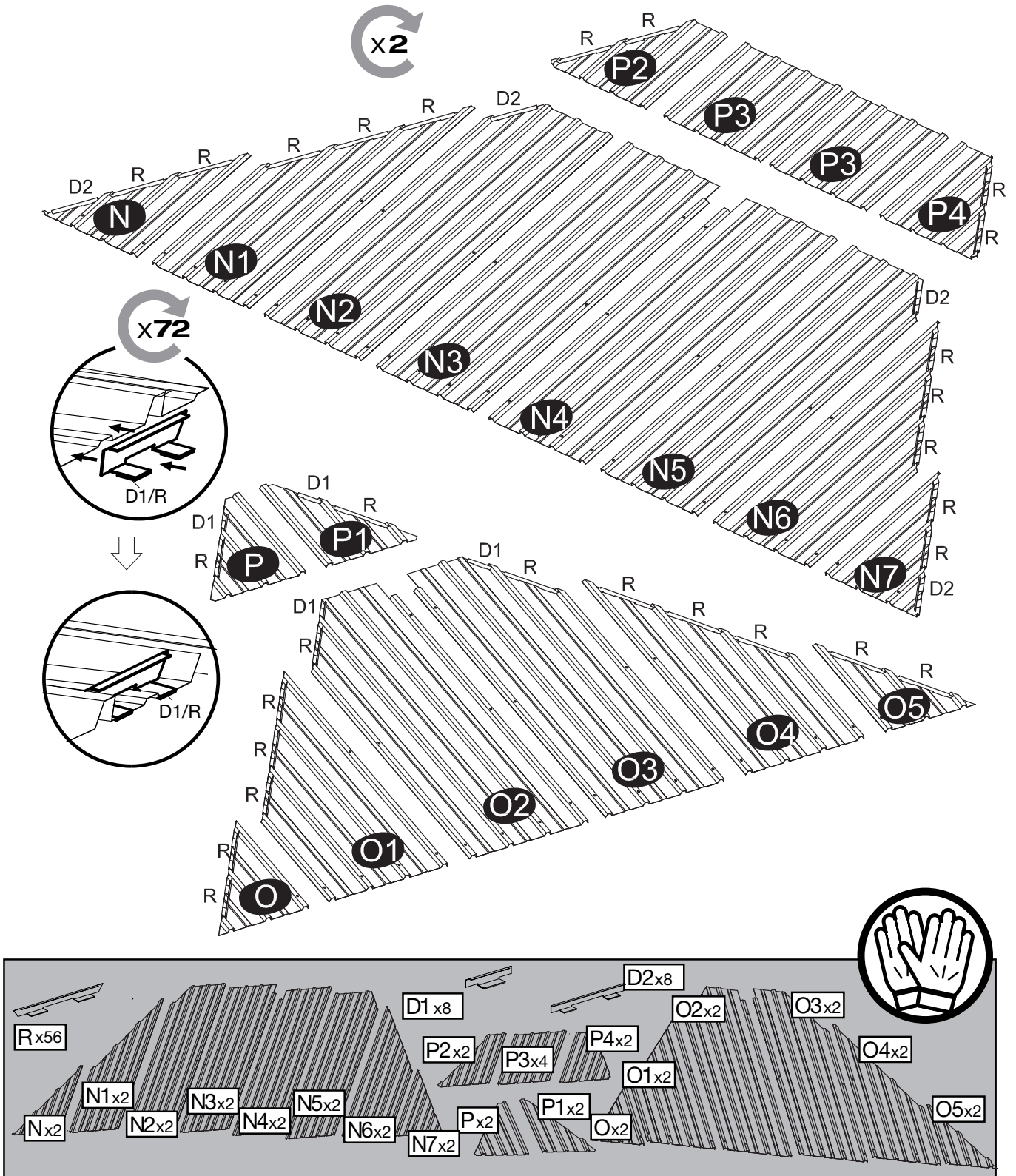
V x4

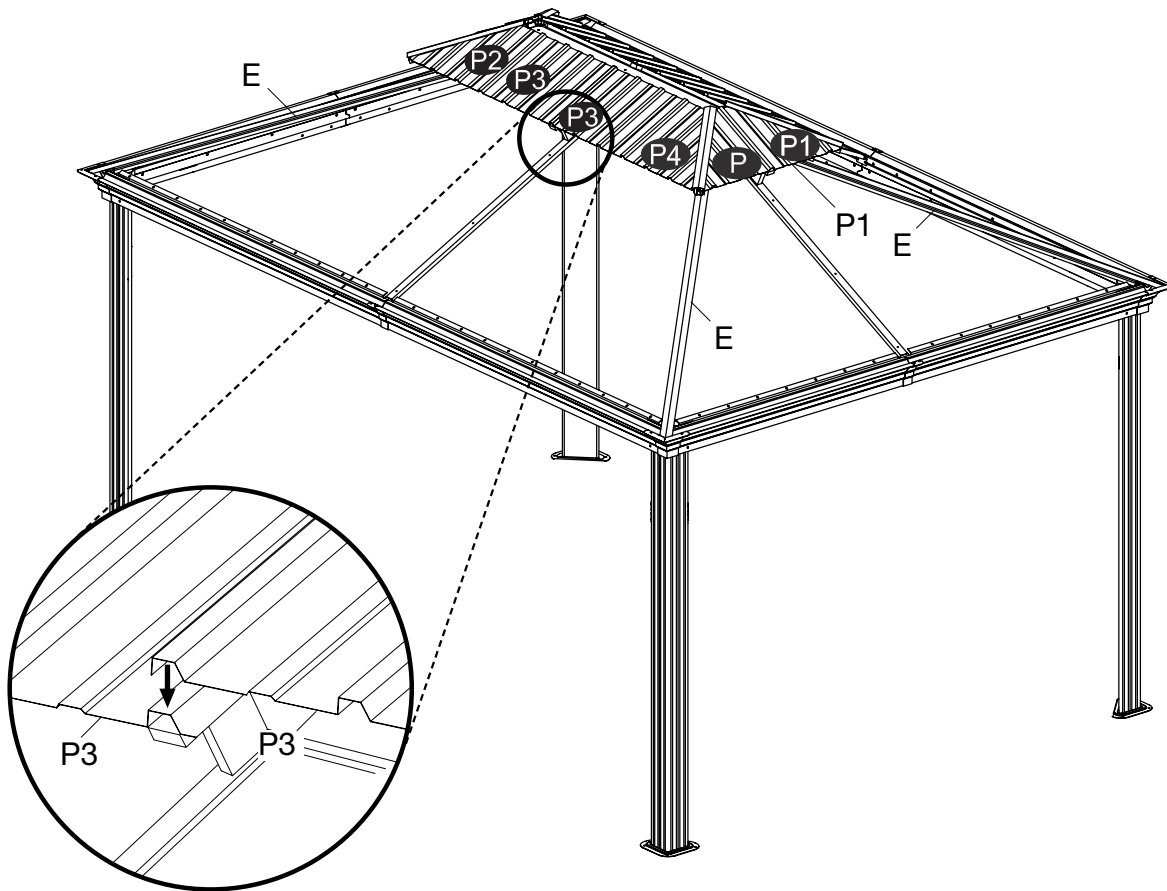
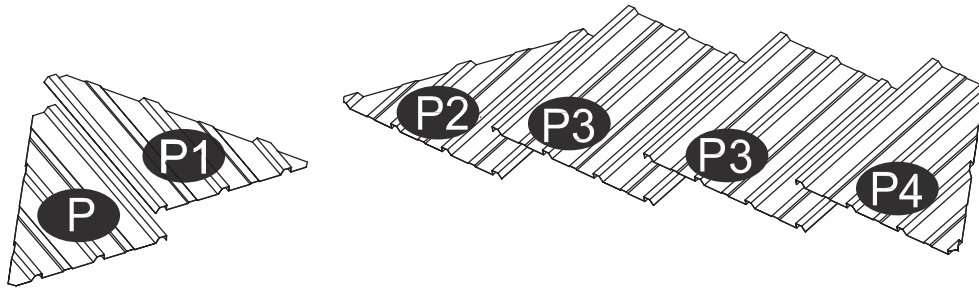
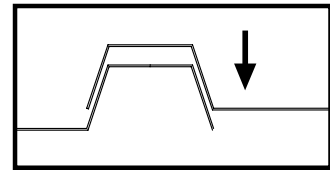


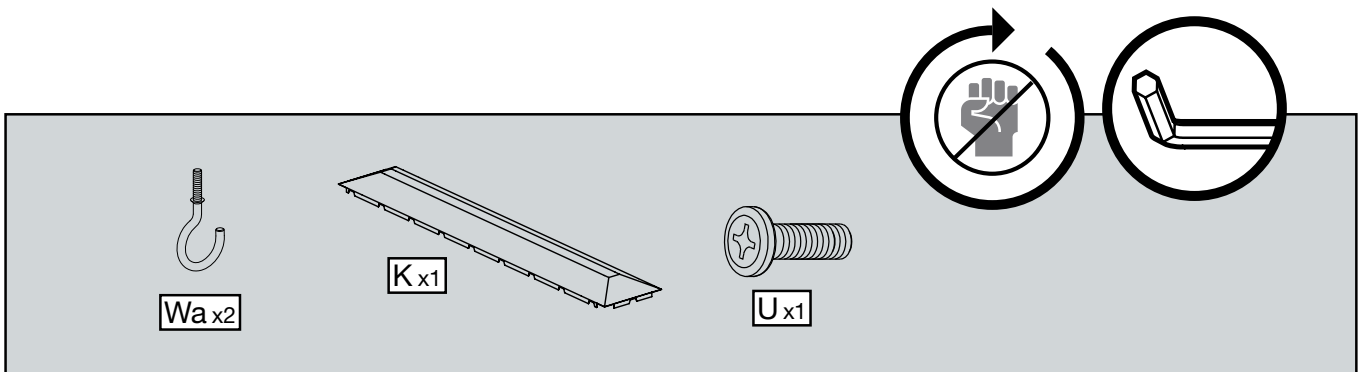
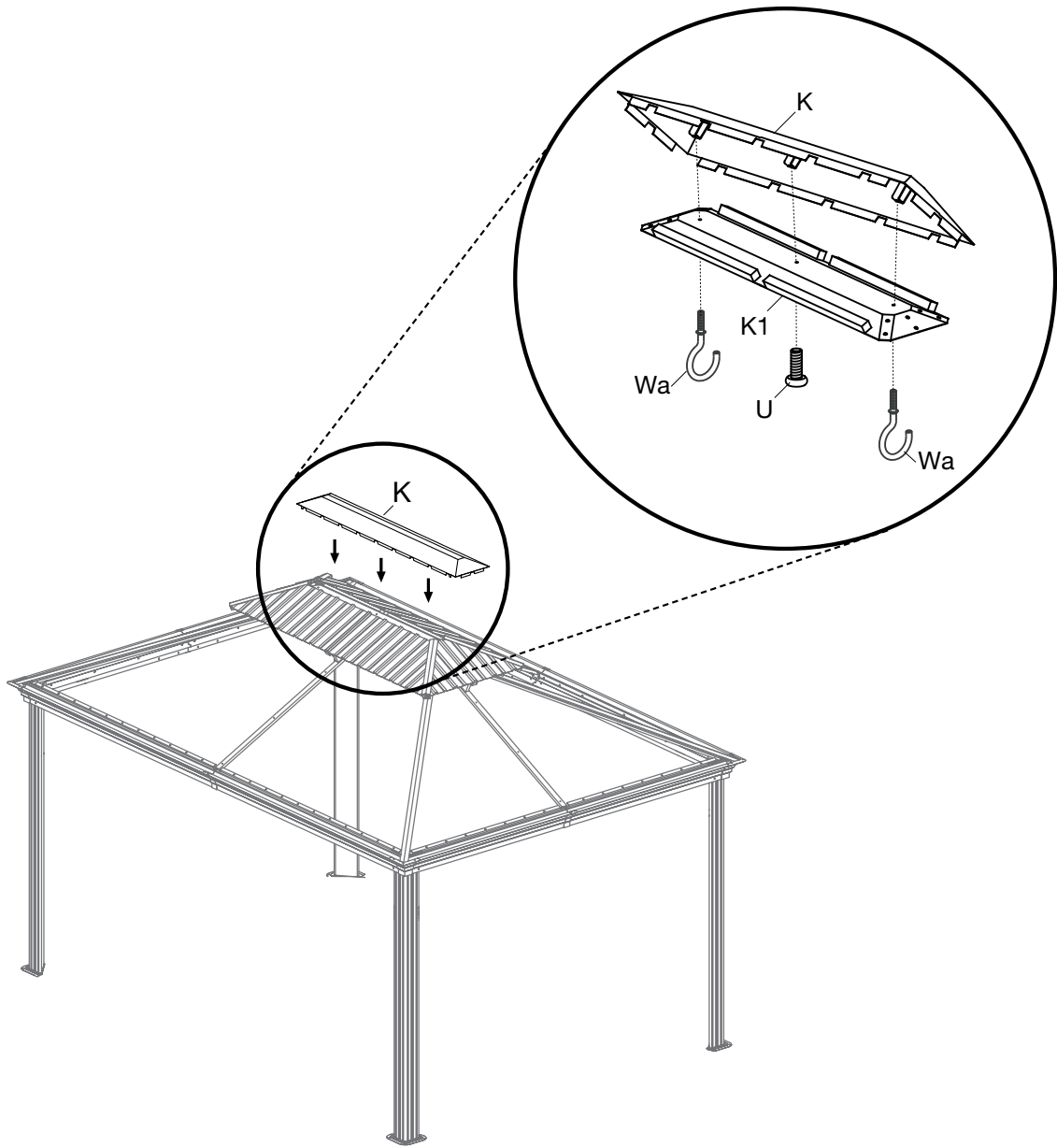


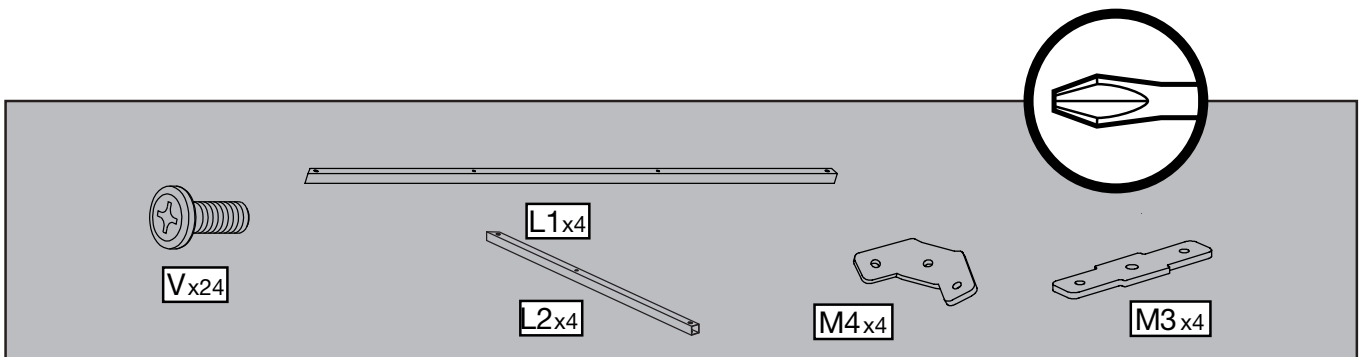
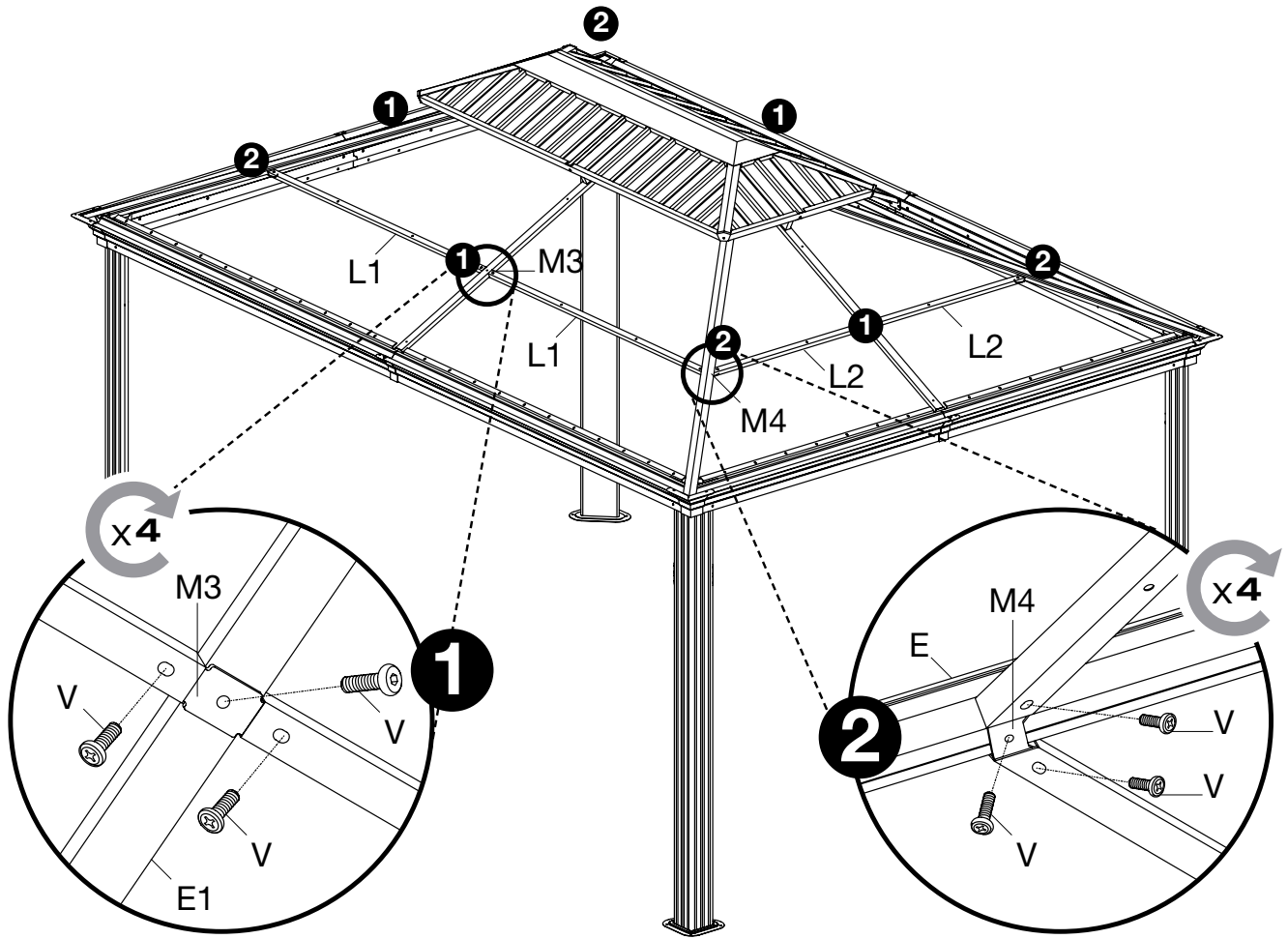


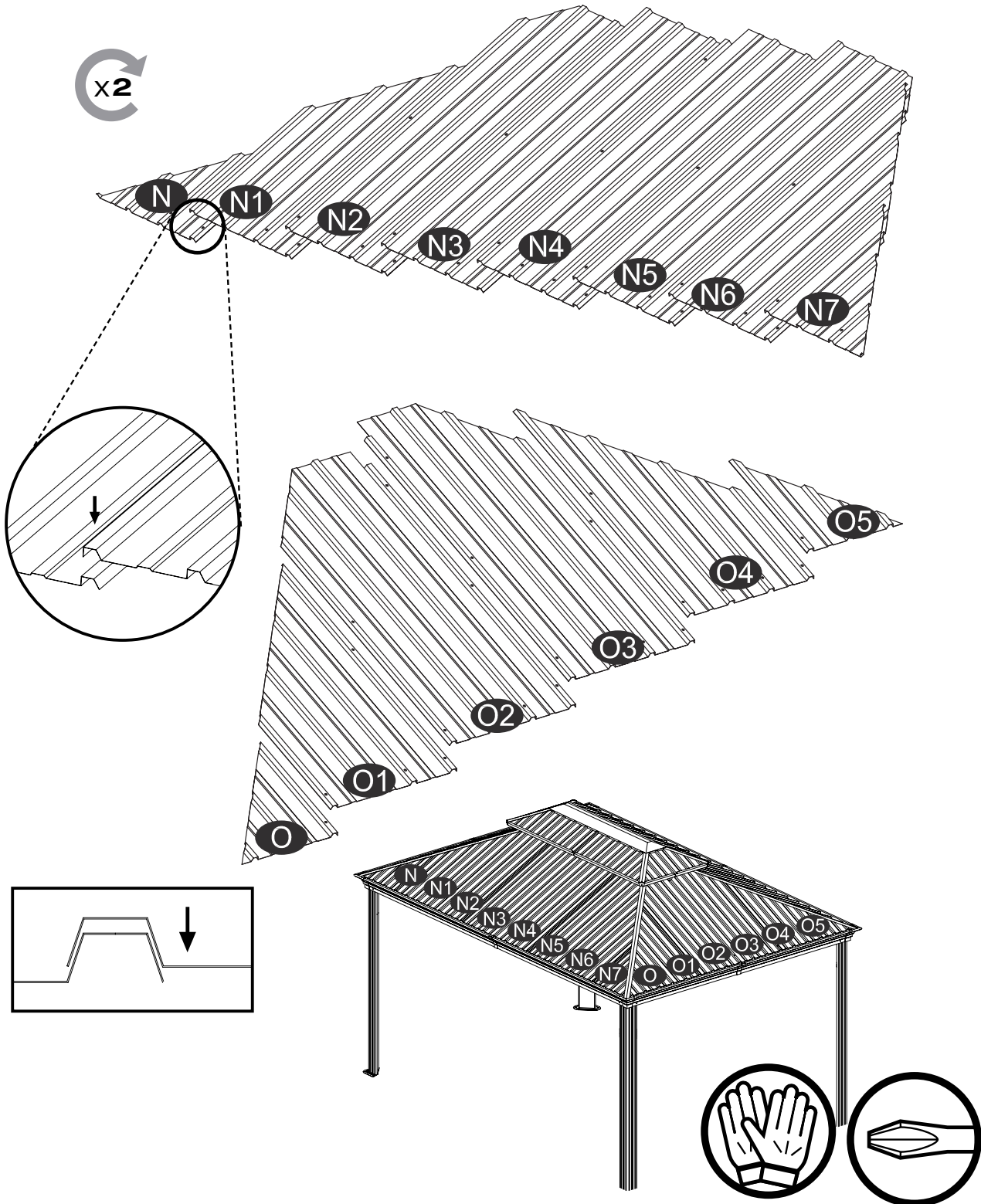


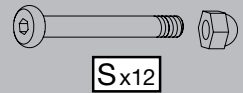
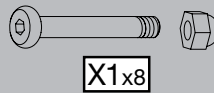
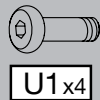
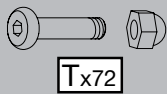
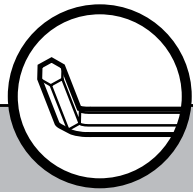
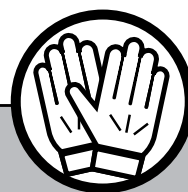
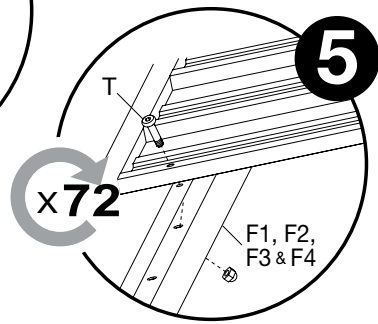
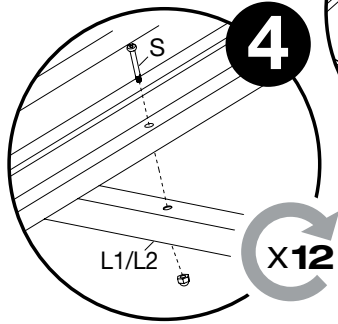
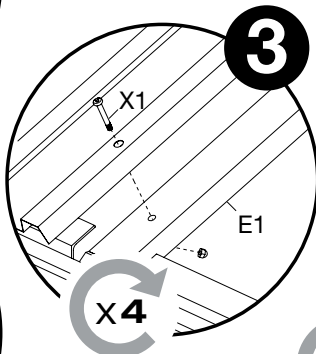
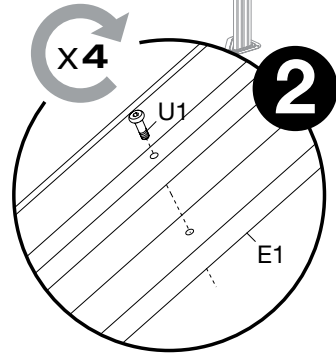
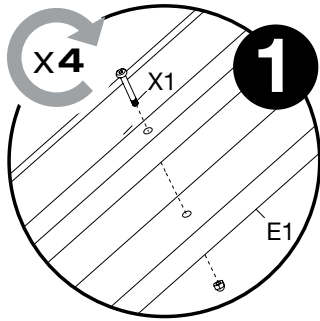
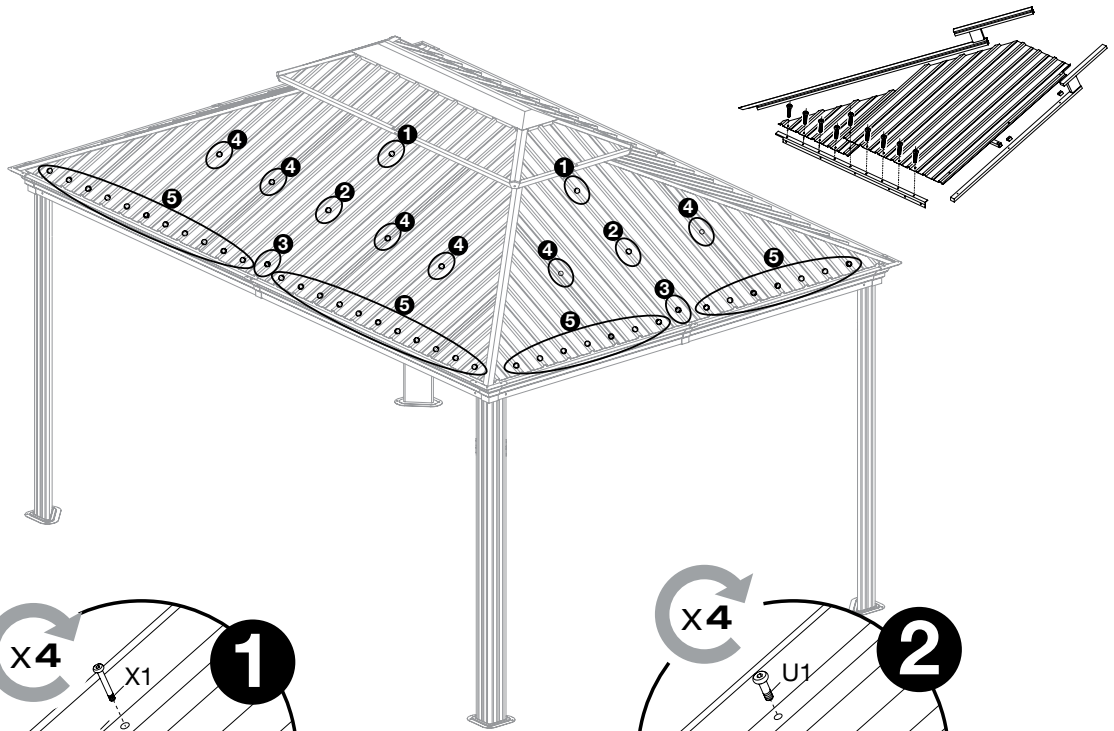




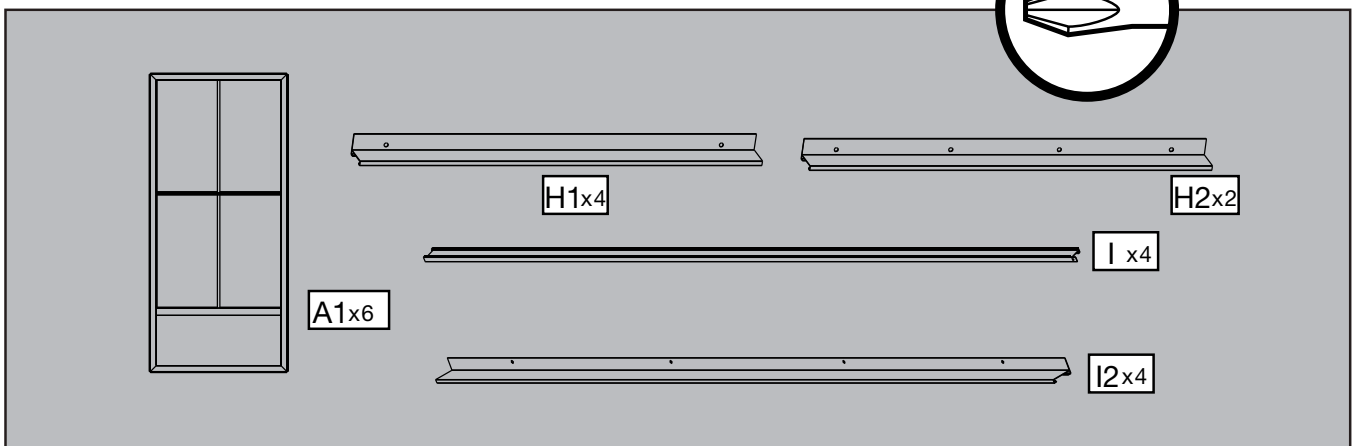
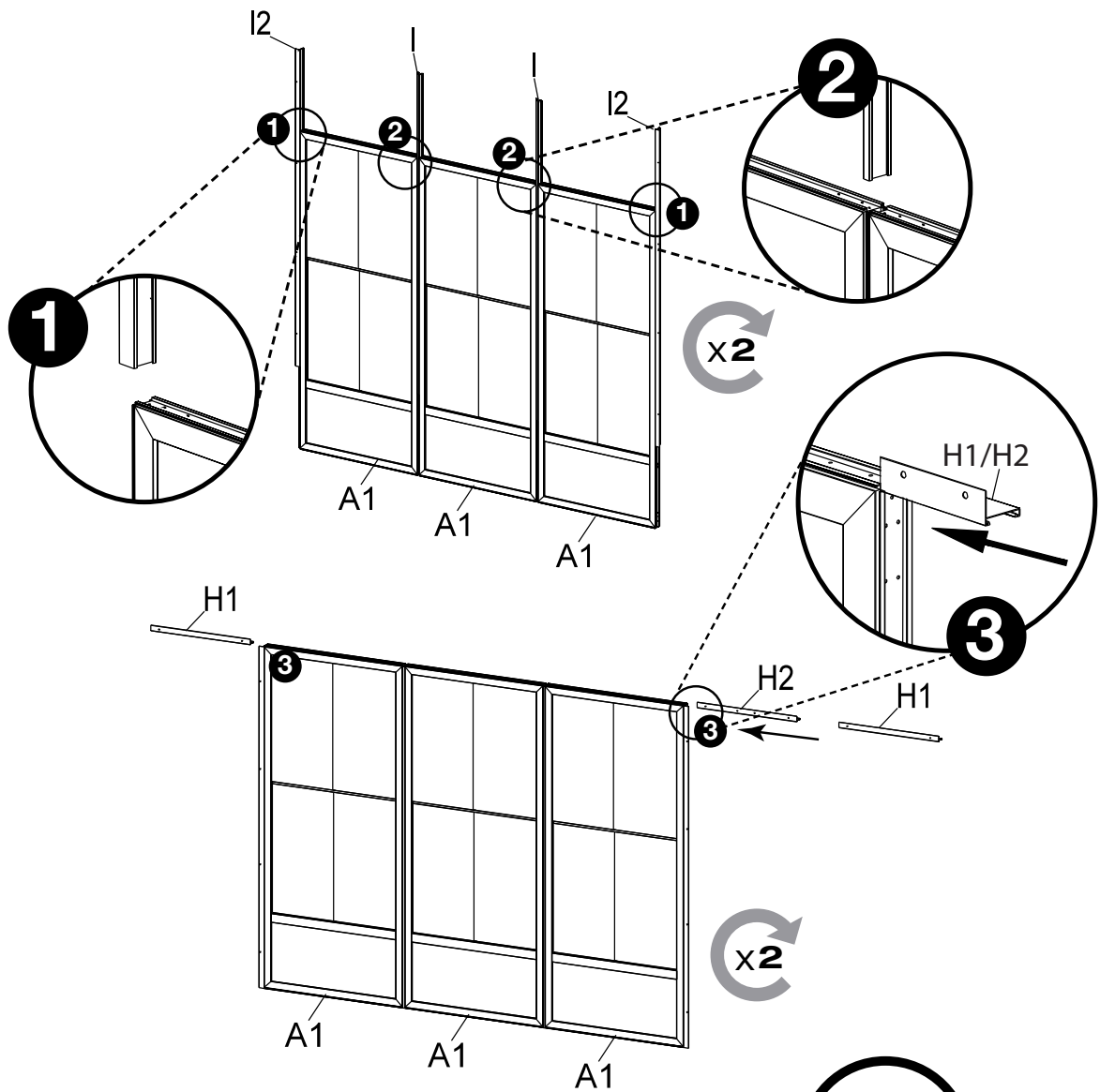




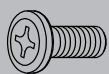
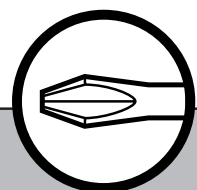
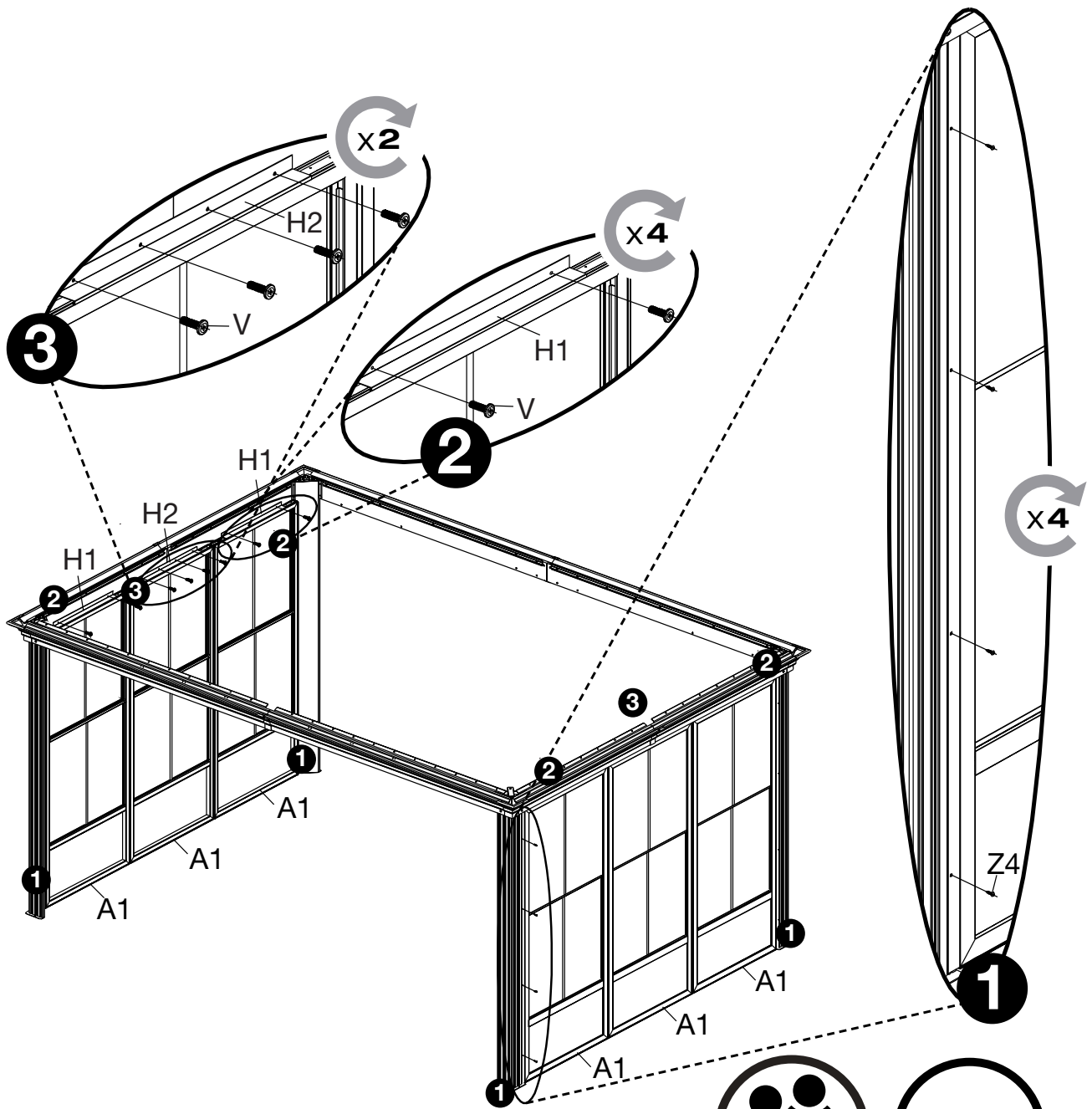




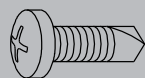




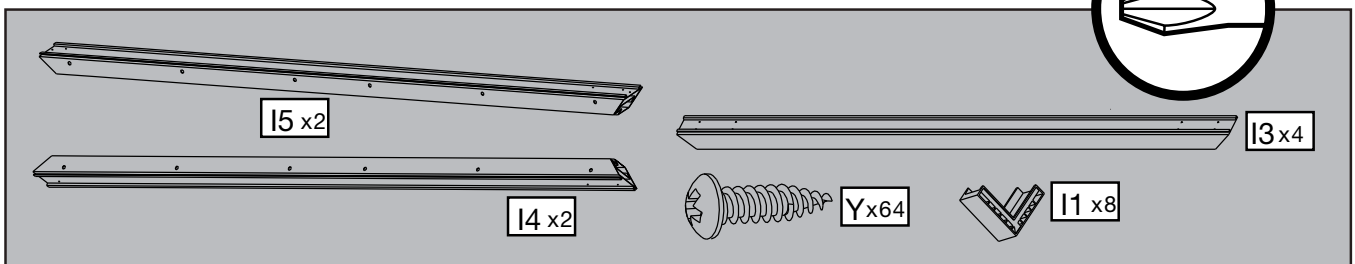
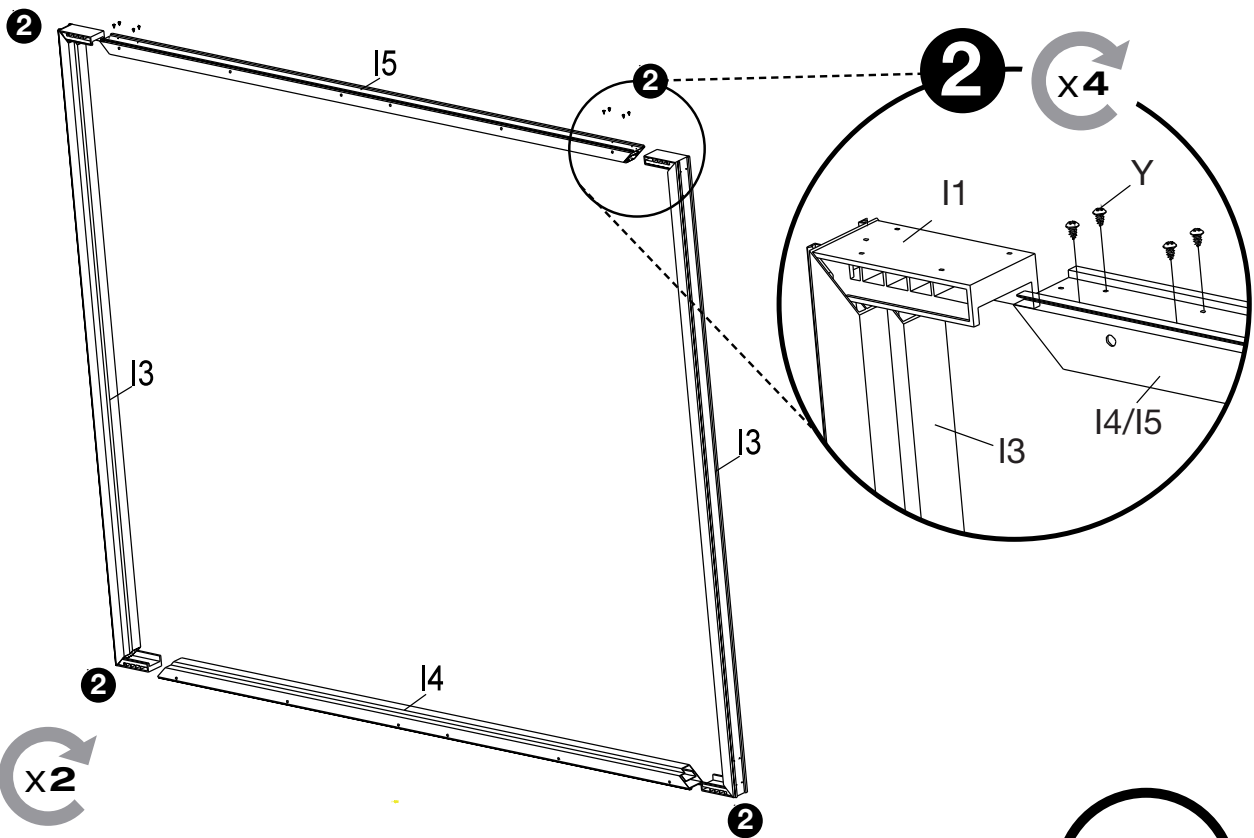
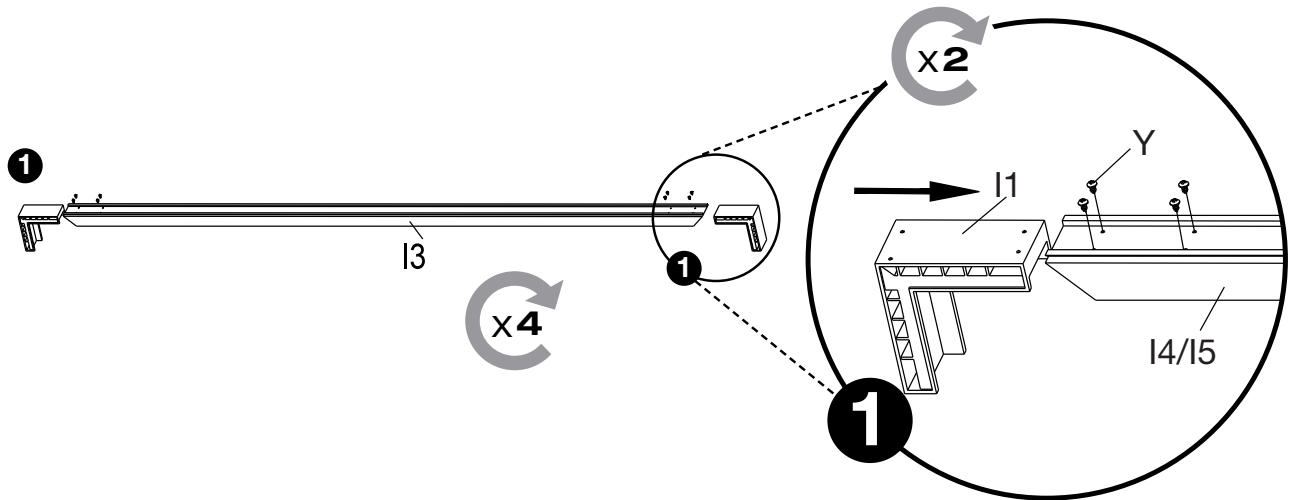


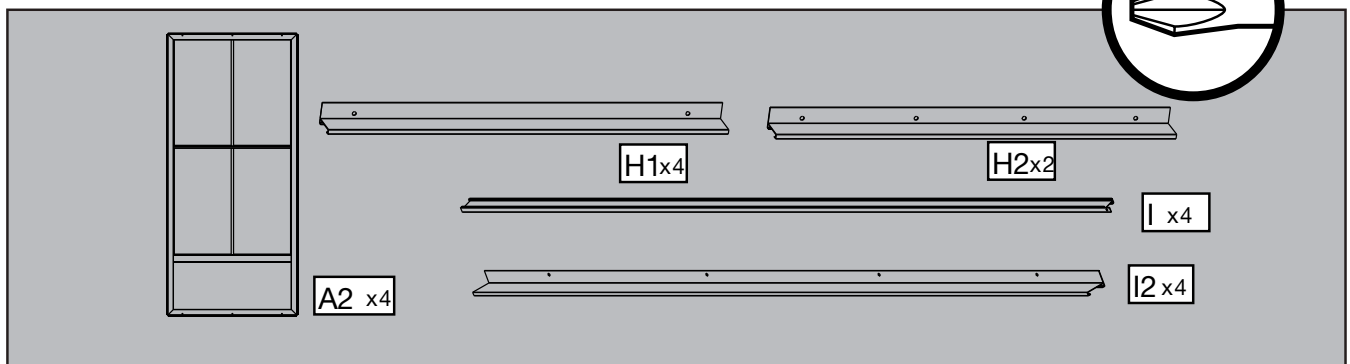
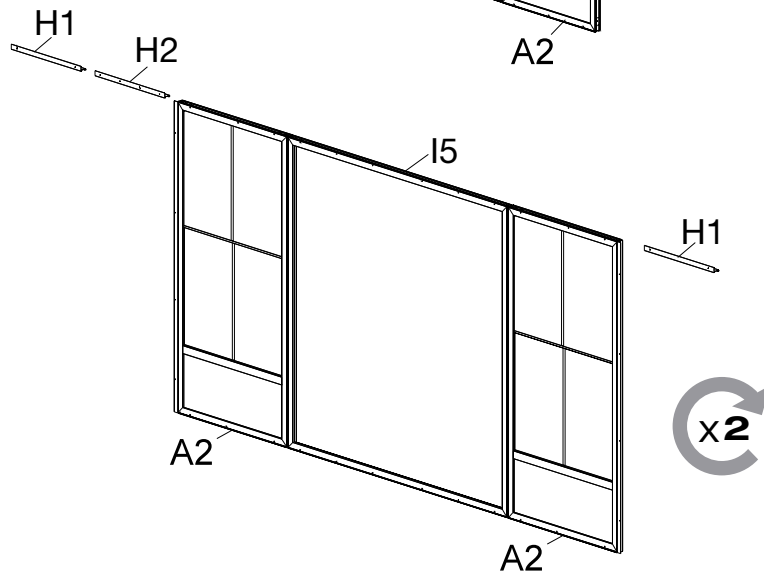
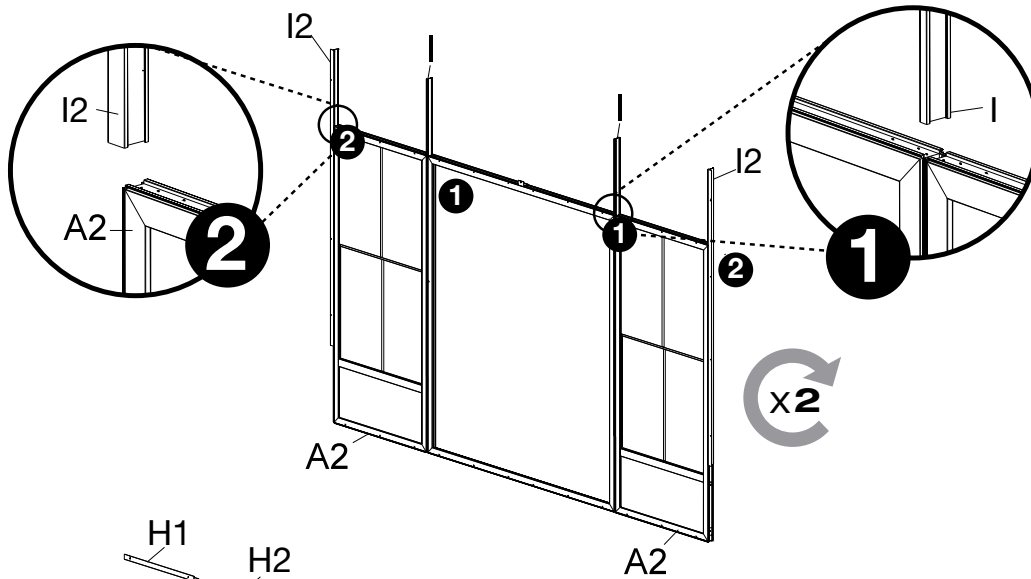


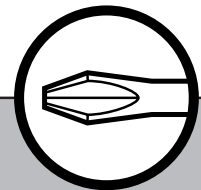
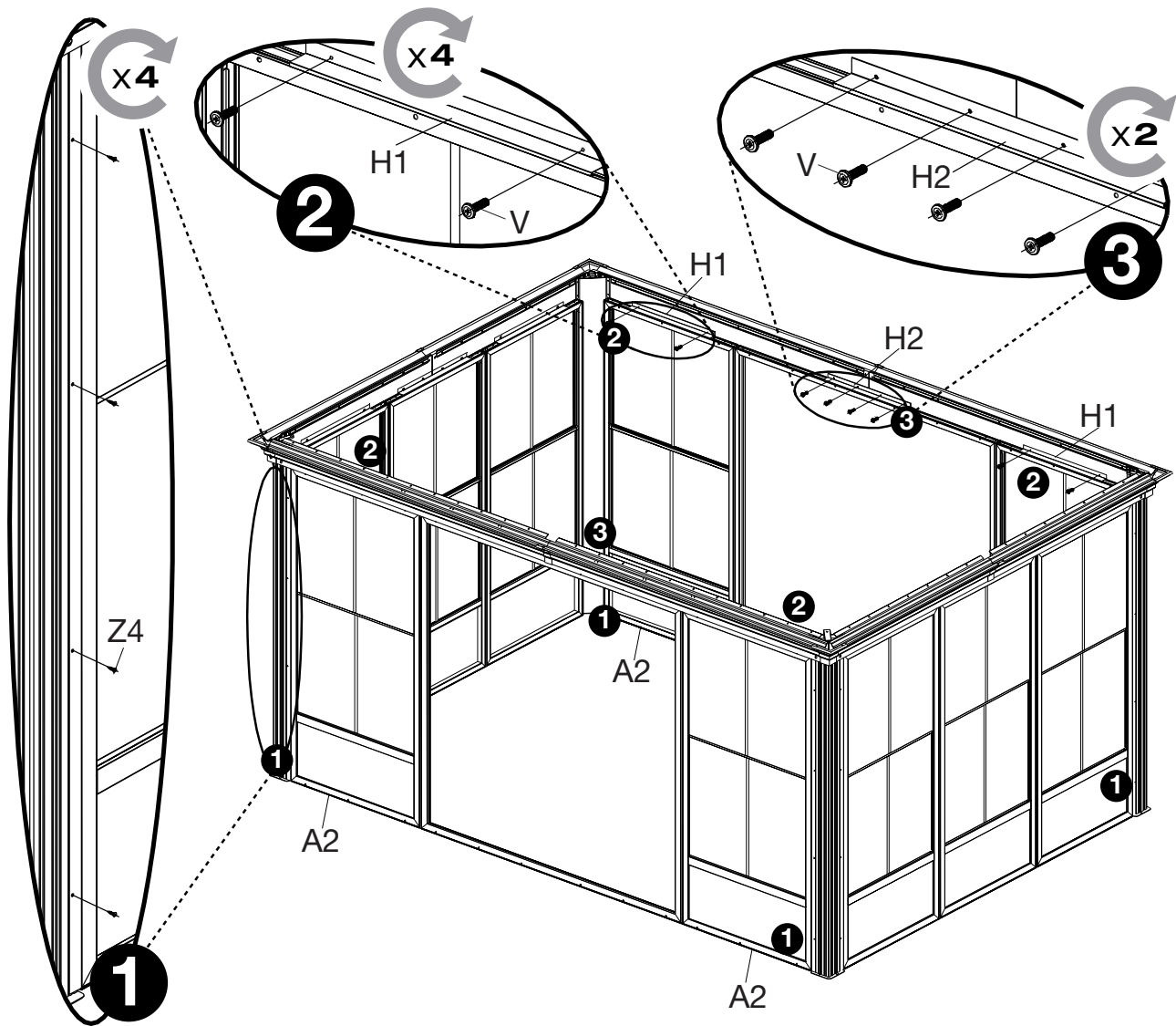
Vx16

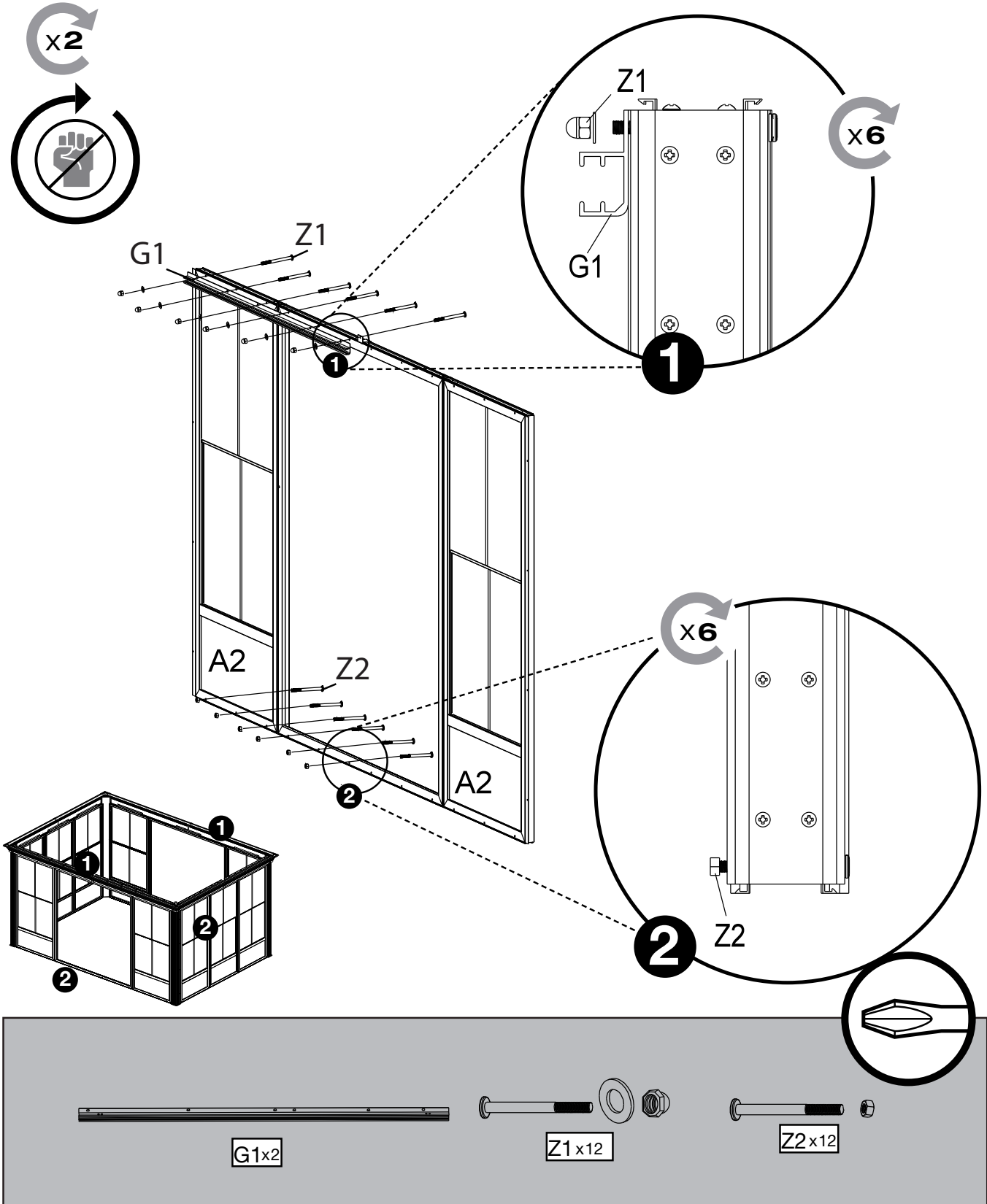


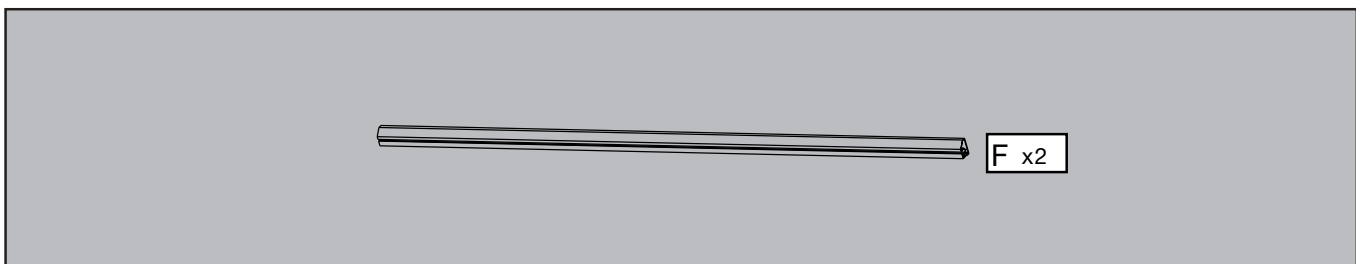
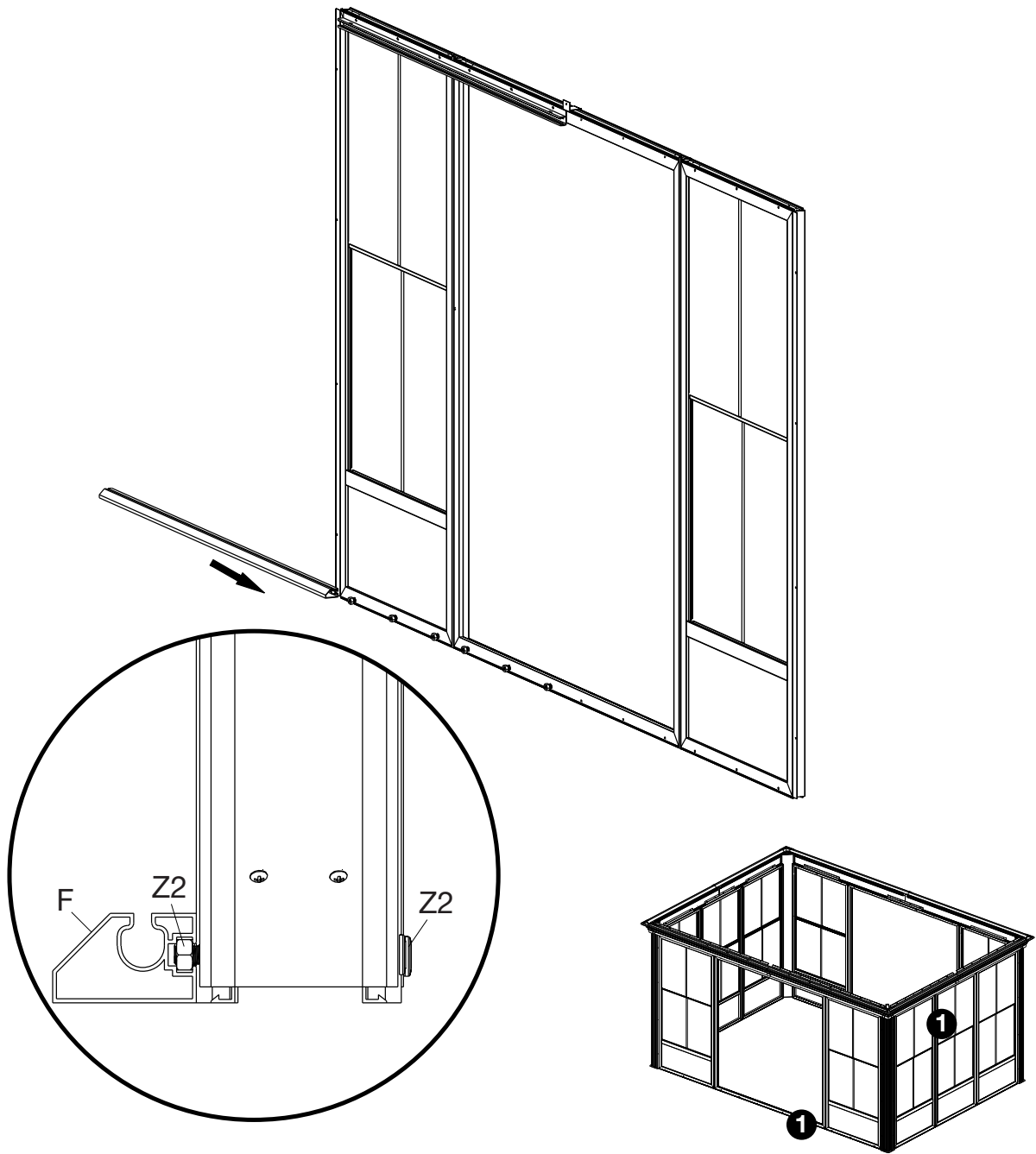
Z4 x16

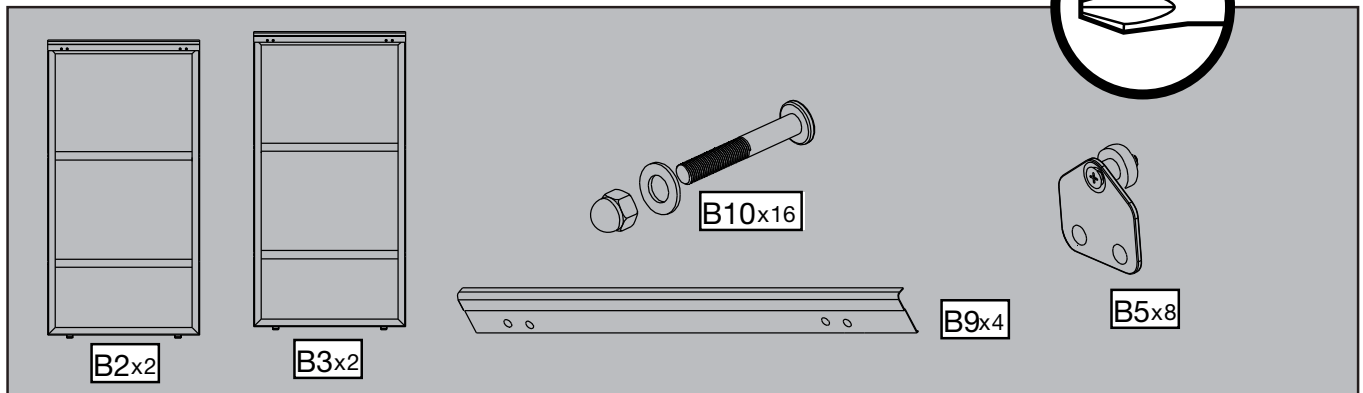
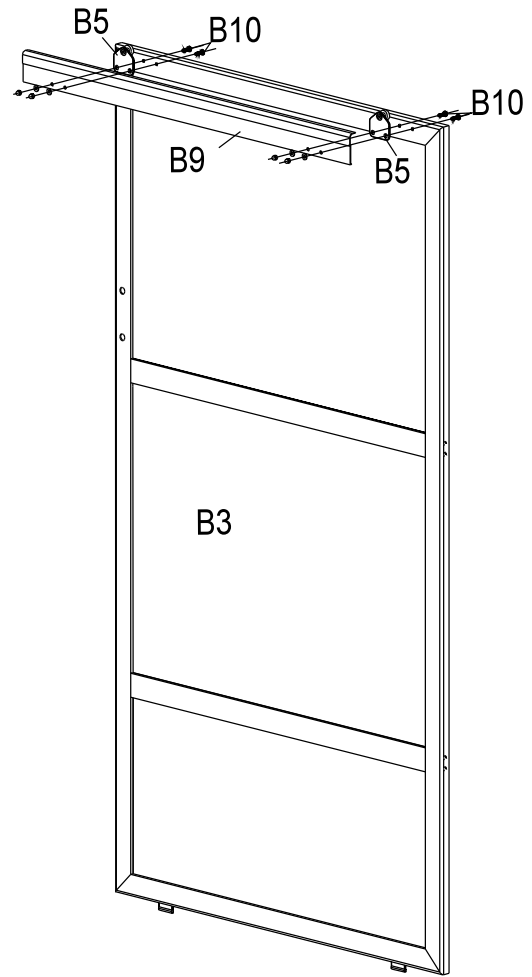
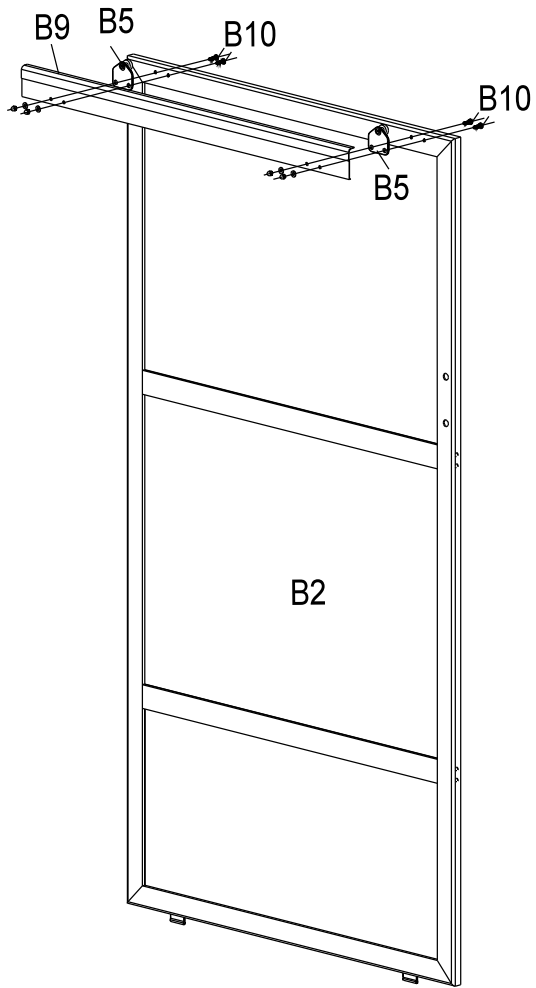


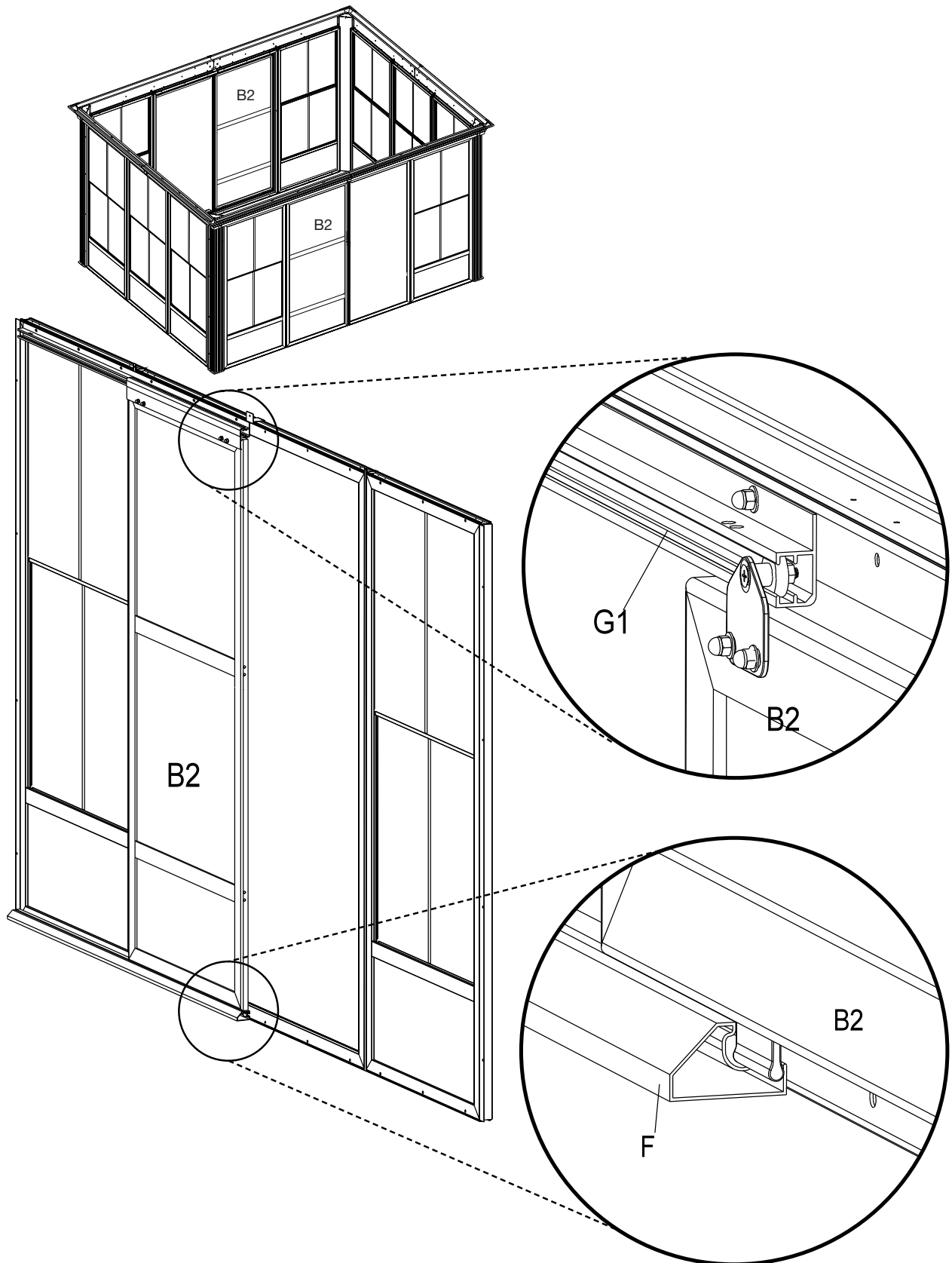




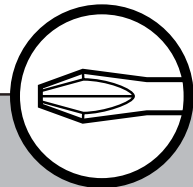
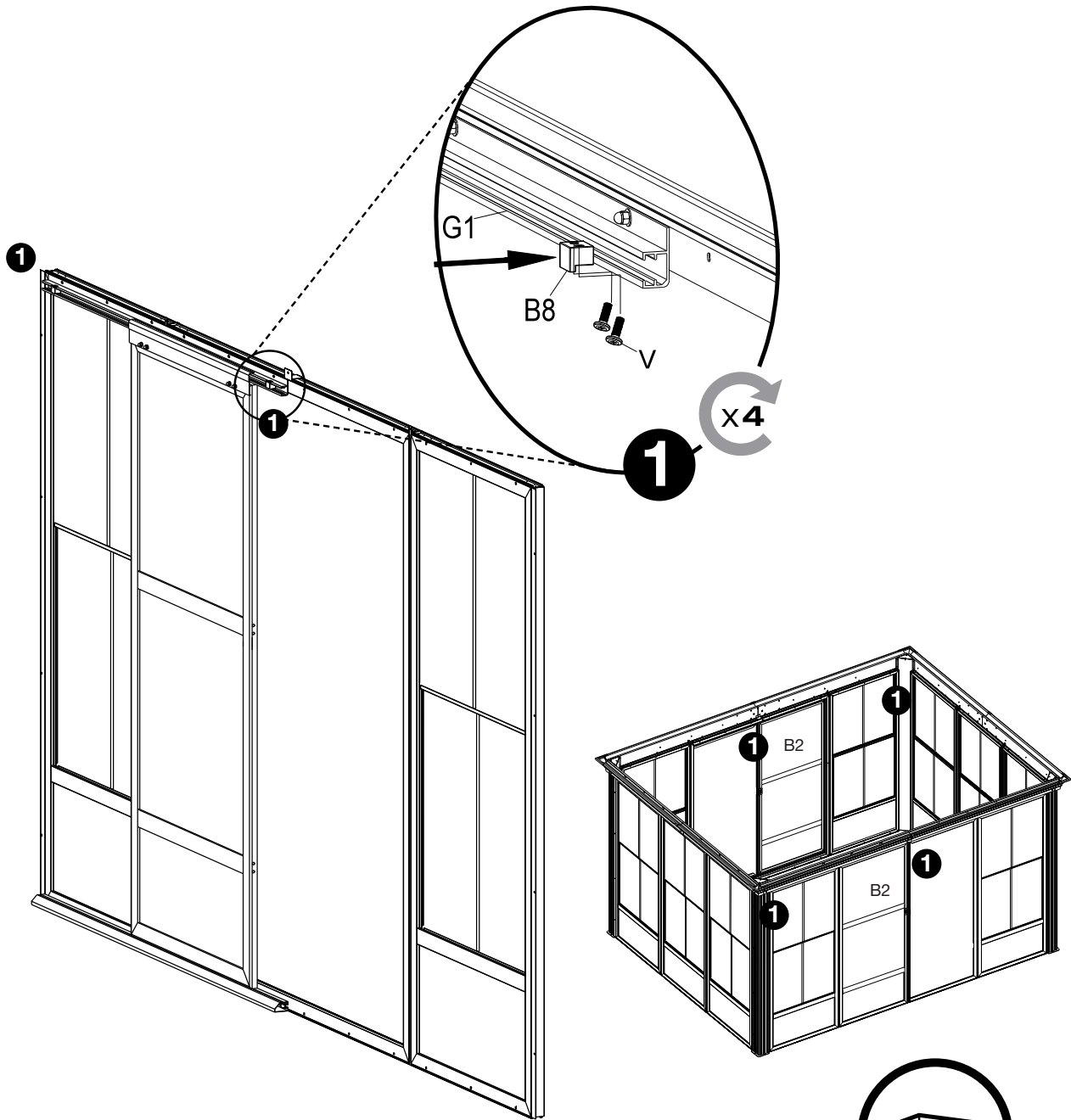








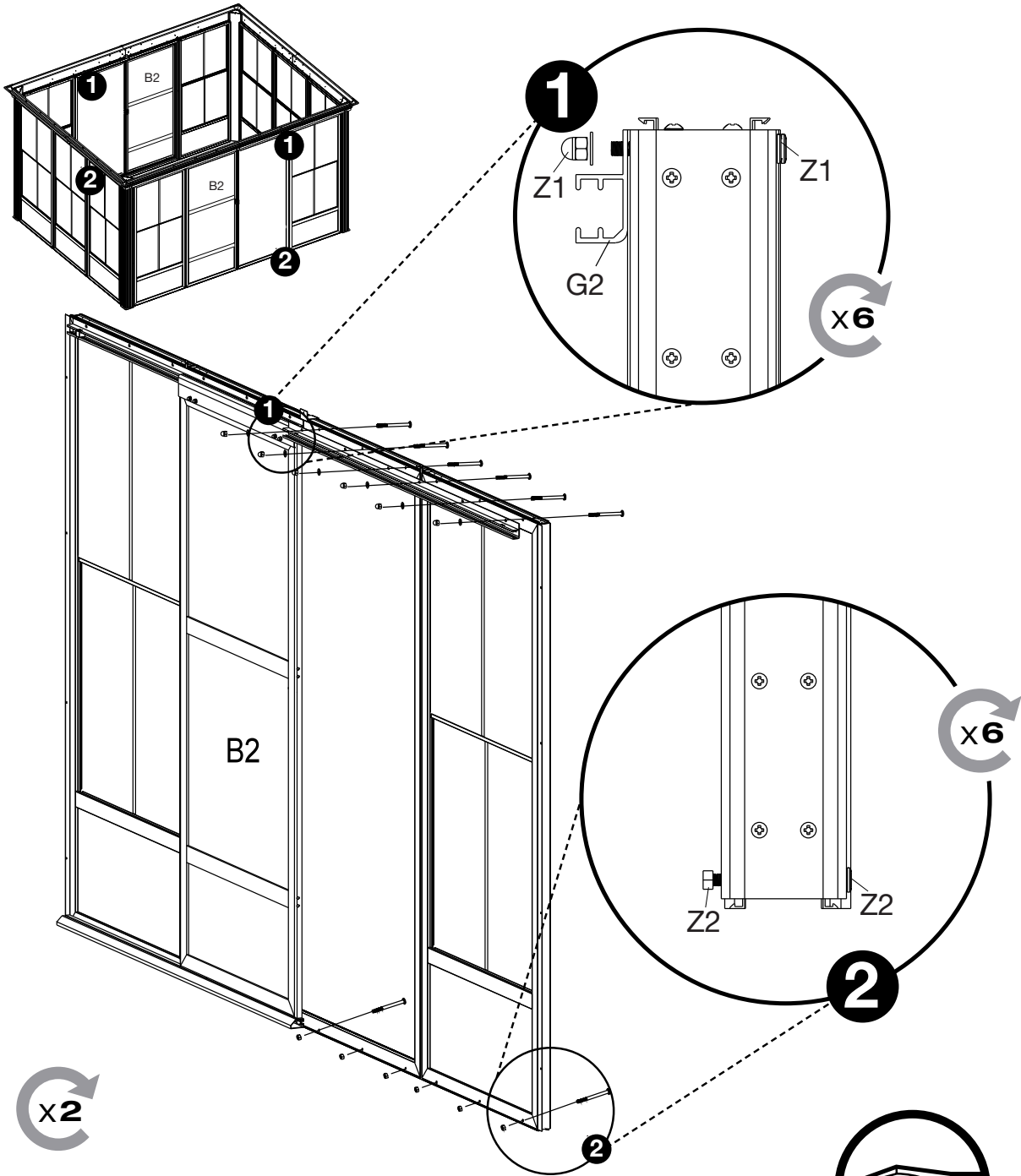




B8x4



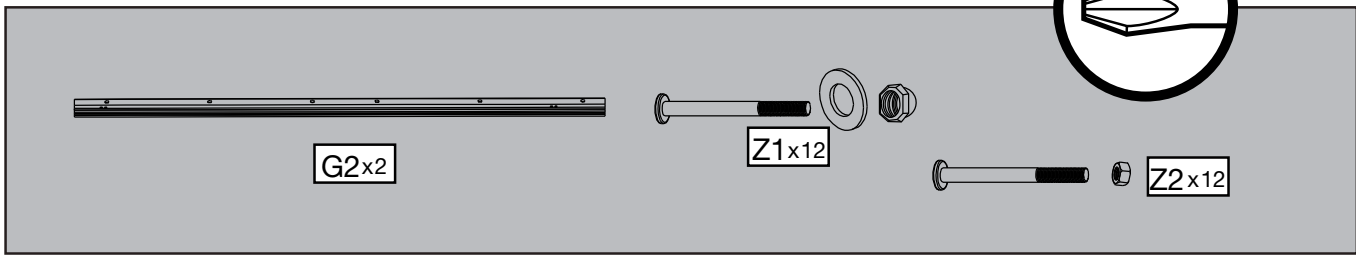
Vx8

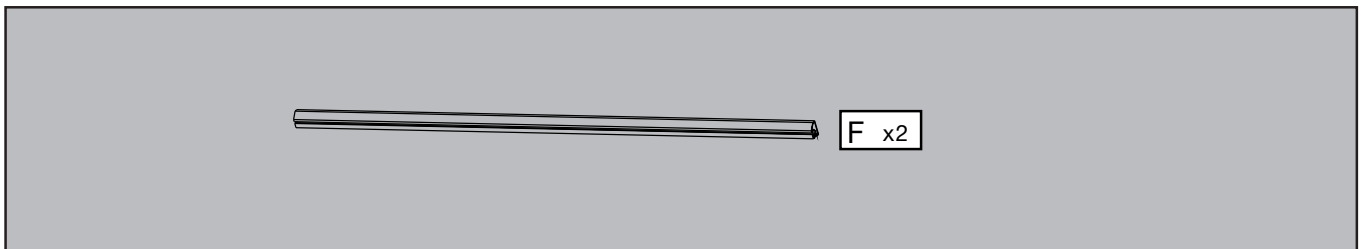
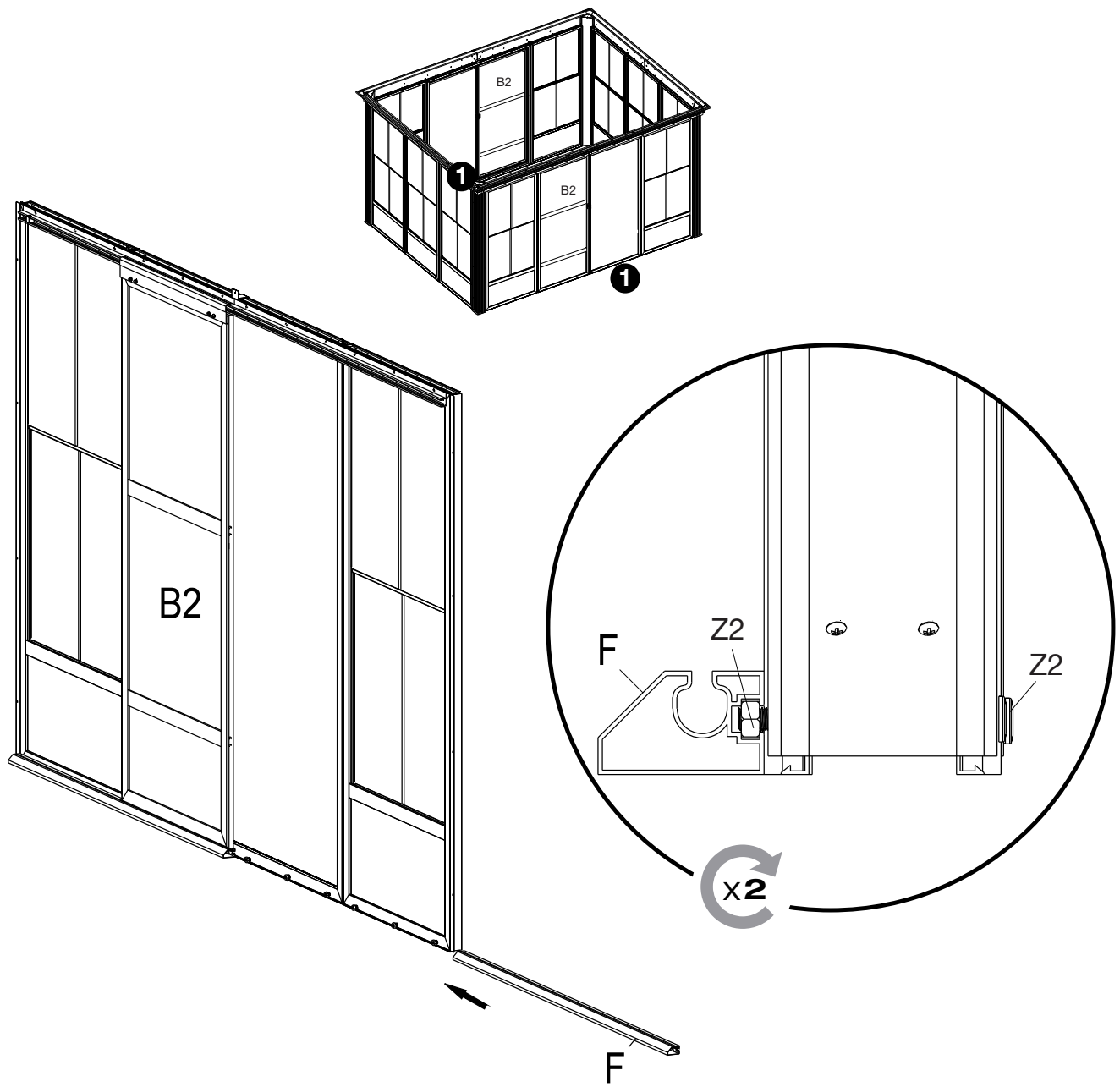


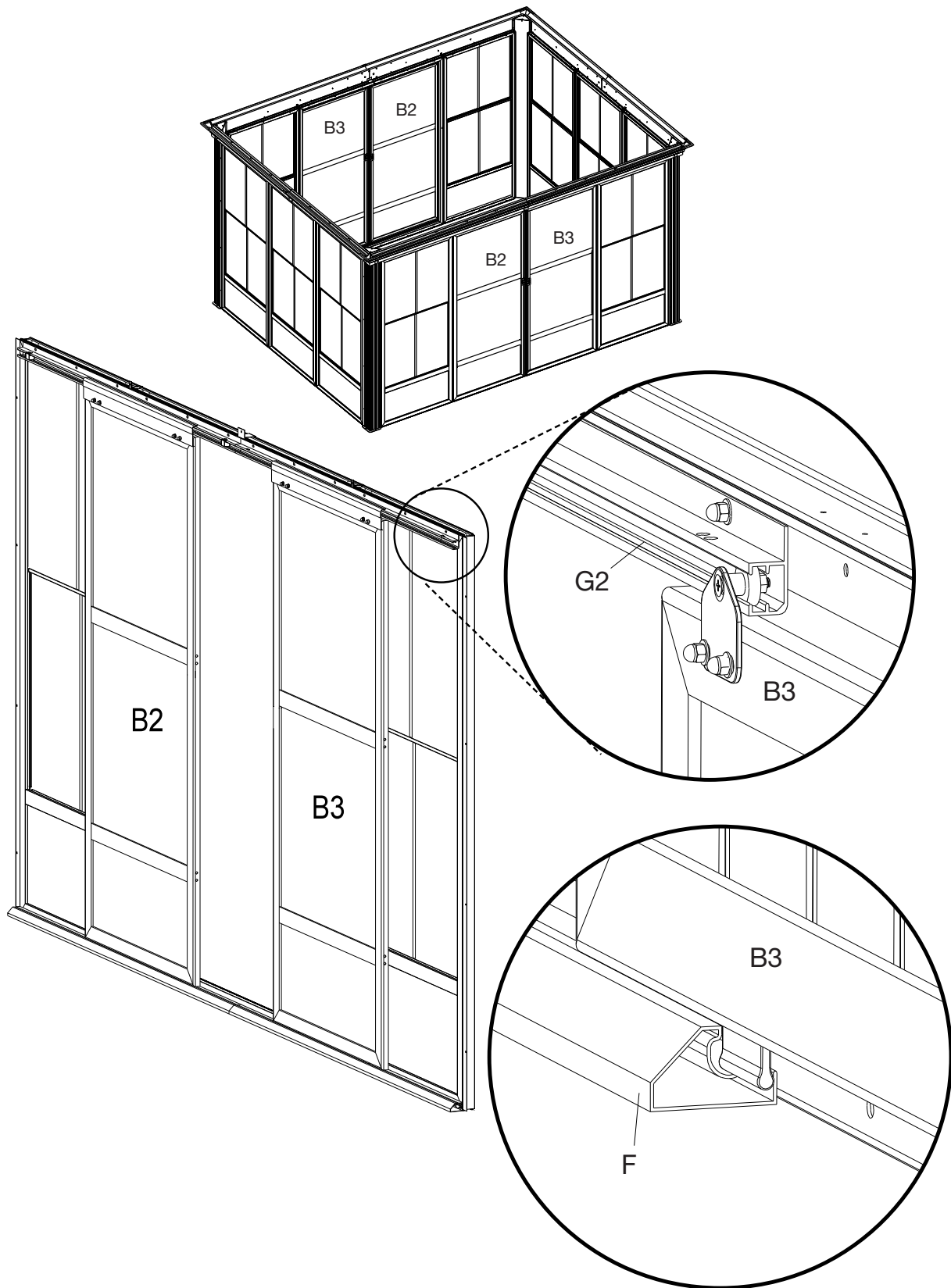
x2

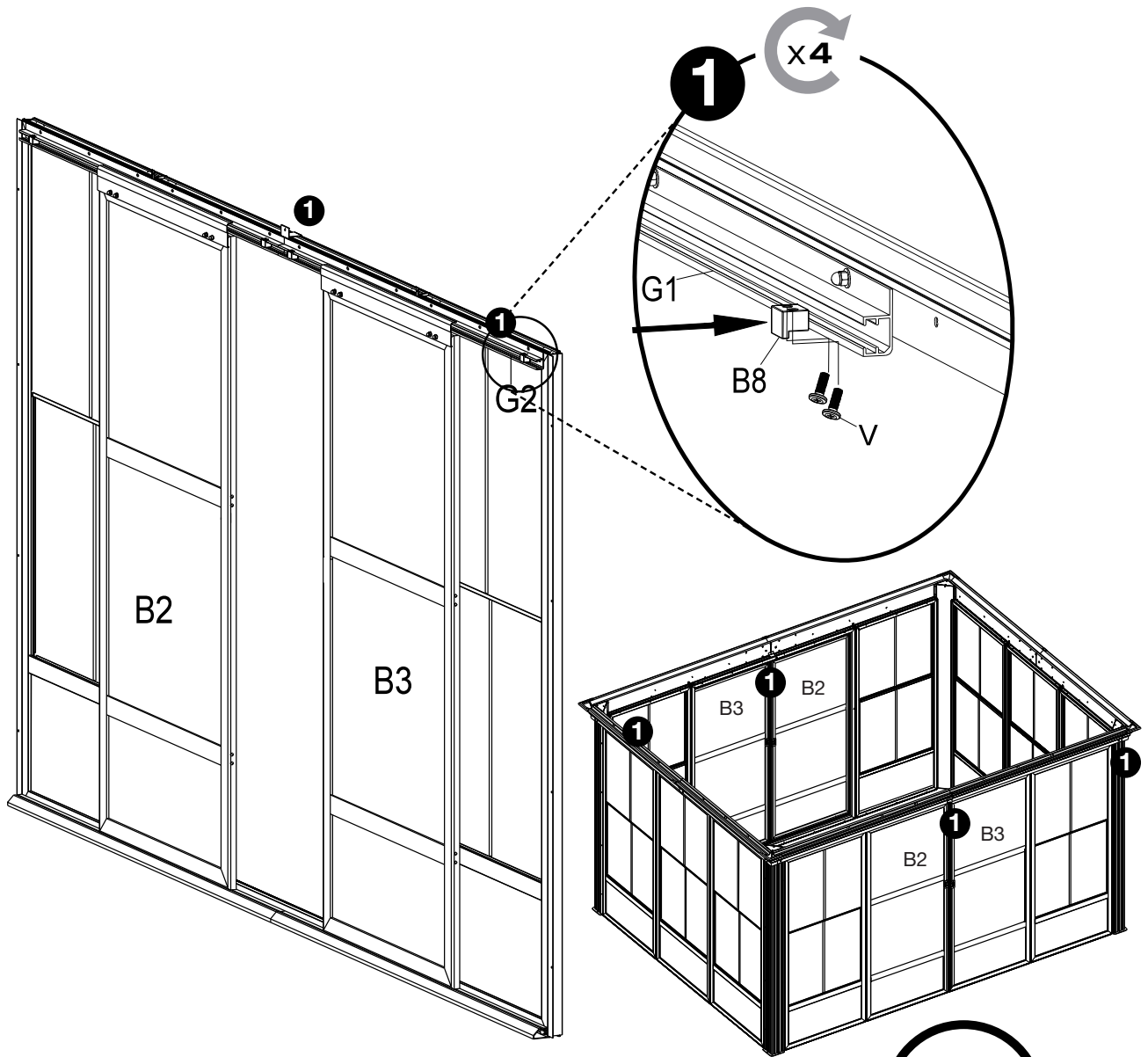
x6

x6

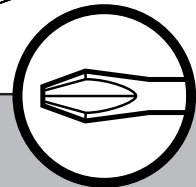


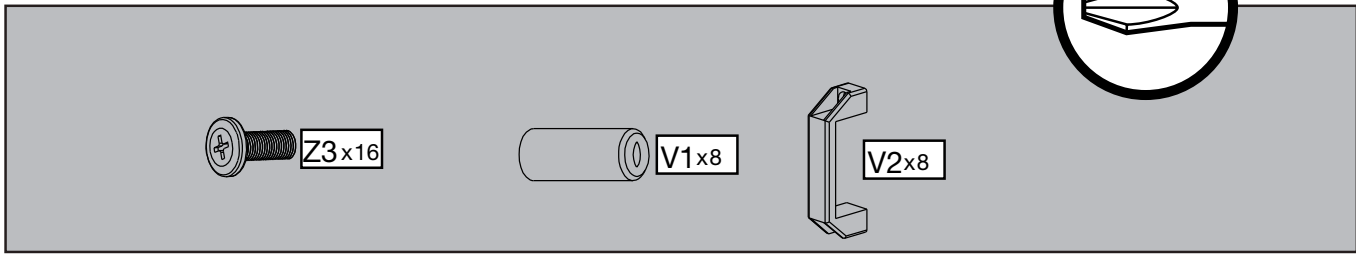
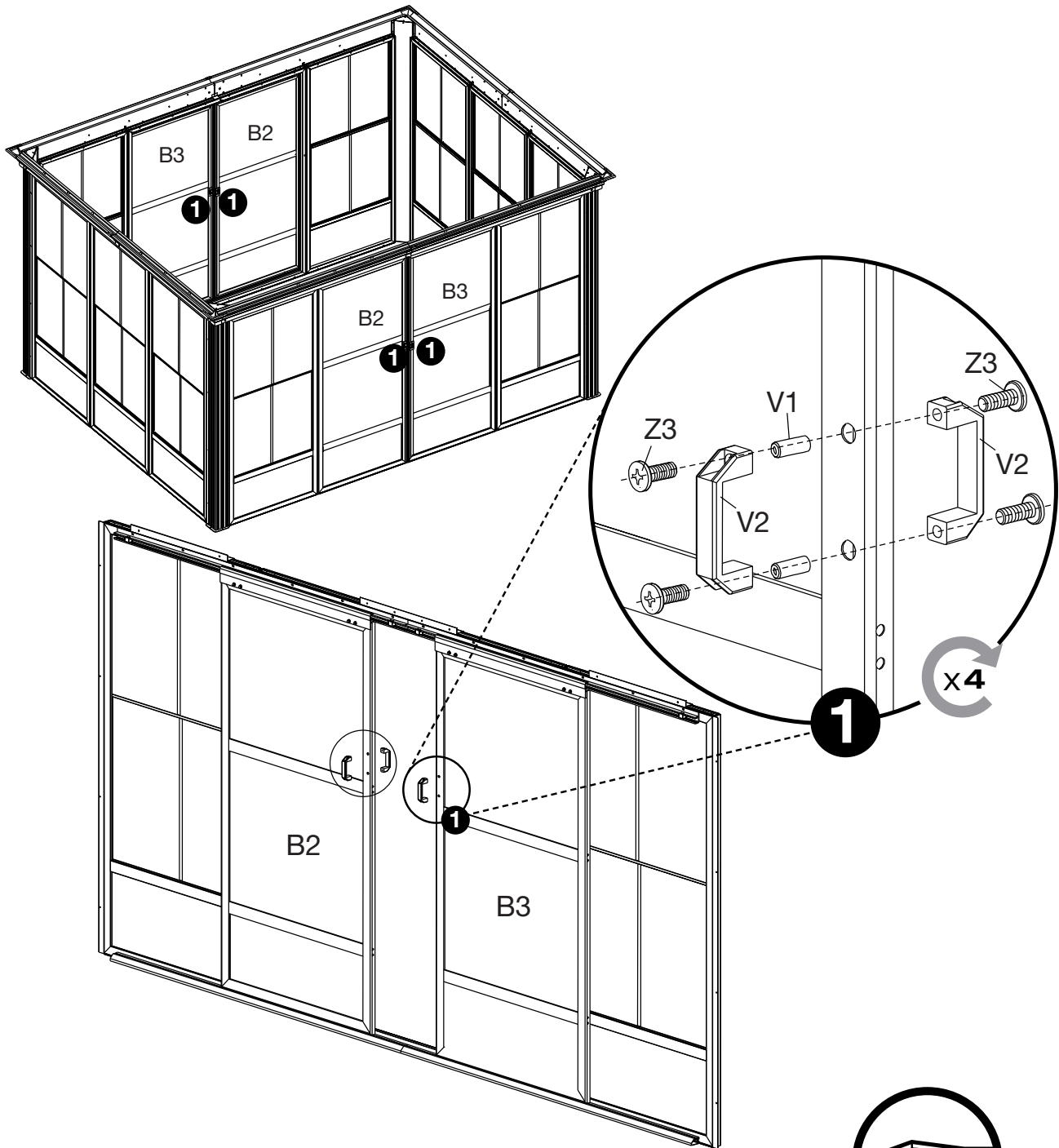


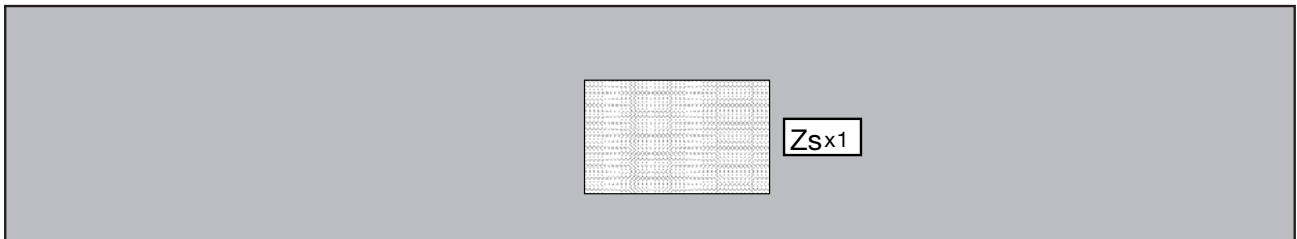
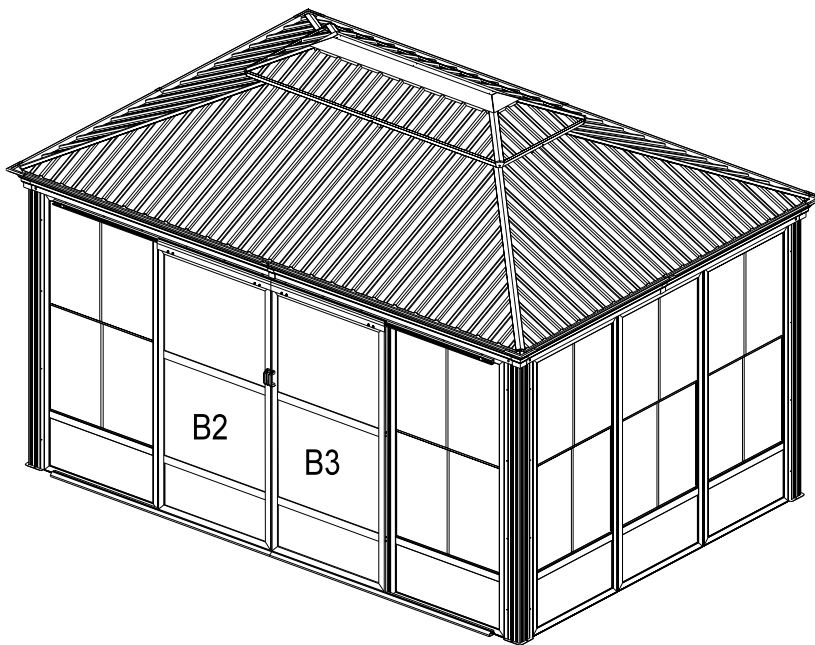
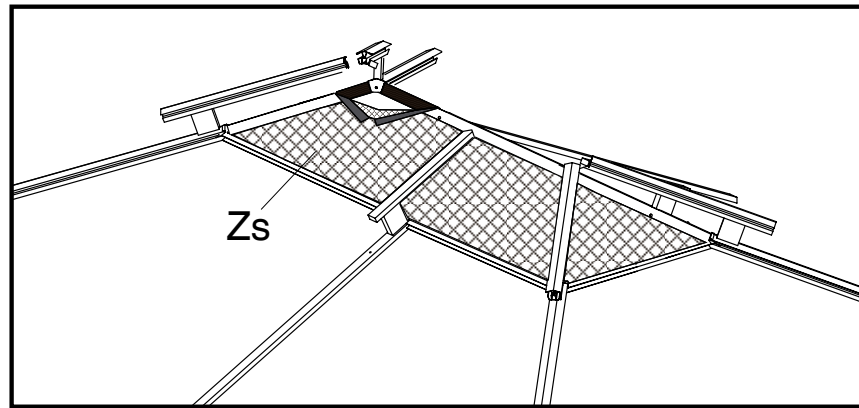




Vx8













**SOJAG** ■ I  
produits saisonniers • seasonal products