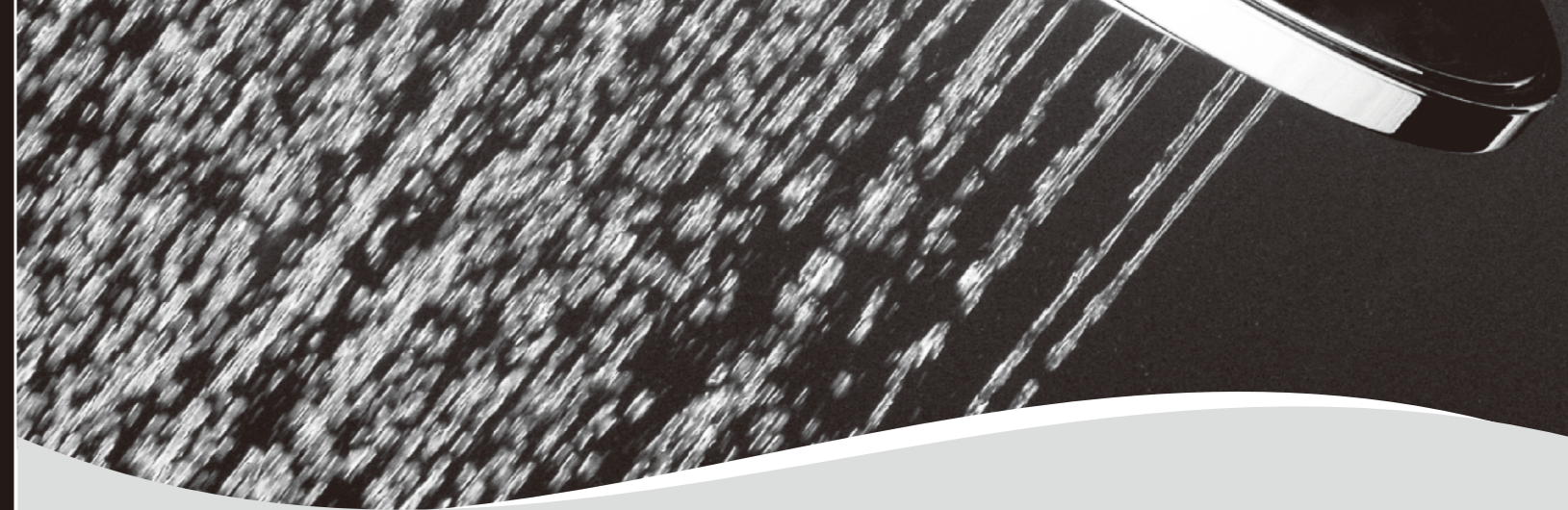


Foshan Gorgeous Sanitary Ware Co.,Ltd

Factory Address:No.88 Jinqun Industrial and Development Park,Sanshui Zone,Foshan City, Guangdong Province,China

National Service Hotline:0086 17606661819

WeChat: 0086 17606661819 Whatsapp: 00 86 15602836626

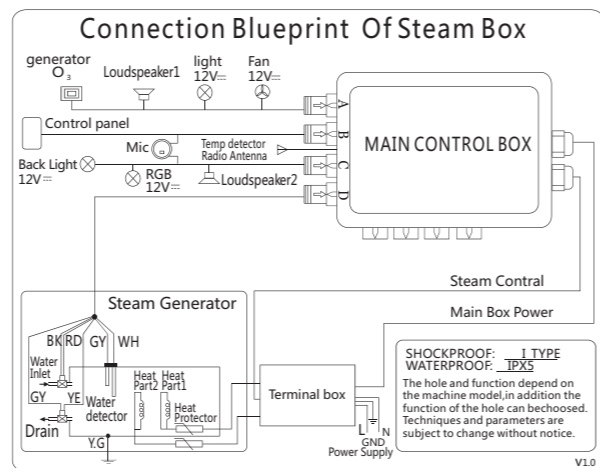


## **DZ972-3F8/ DZ972-2F8 Installation Instruction**

## Important safety information

1. Please read and follow this instruction
2. Power supply should be in accordance with local standard of leakage protector. Please test leakage protector before using product.
3. Ground wire of product should be connected to fixed ground wire permanently.
4. To avoid electric shock, please don't use extension line to connect power supply, and choose suitable place to install socket. Please replace broken electric wire in time. Please ask professional electrician to operate electric wire installation and replacement.
5. Please don't use this product after alcohol or drugs.
6. The children should be closely supervised by parents.
7. Warning: the water temperature shall never exceed 140 Fahrenheit when using this product (or never exceed 60 centigrade)
8. Don't use strong causticity chemical liquid to clean product, such as sulphuric acid, hydrochloric acid, lye and so on.
9. The powers of steam generator are 3KW, 4.5KW and 6KW. Please use less than 2.5 square millimeter, 4 square millimeters and 6 square millimeter copper wire respectively as electric wire.
10. No humidifier is allowed in steam house.
11. Warning: please don't screw cleaning box to avoid being hurt by steam.

## Installation wiring diagram



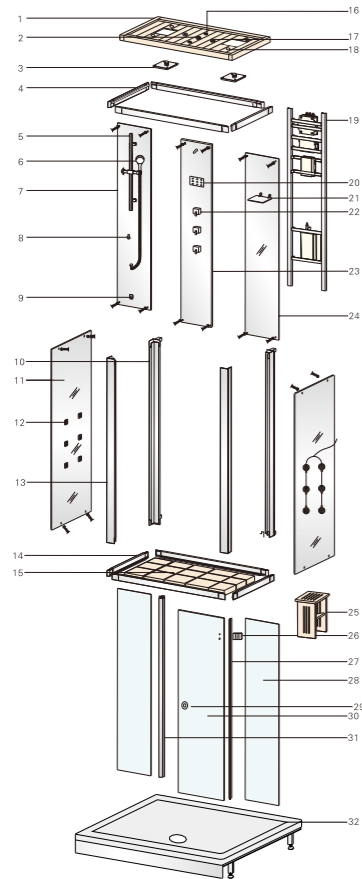
## Electrical parts specification

Configuration Parameter	massage pump	steam generator	LED ceiling lamp	exhausting fan	Solenoid valves	CPU	Speaker	Note
Rating voltage		AC220-240V/50HZ	DC12V	DC12V	DC12V	AC220V-240V/ 50HZ		
Rating voltage		AC240V/60HZ	DC12V	DC12V	DC12V	AC240V/60HZ		
Rating power		3000W	10W	3W	5W		10W	
Rating power		4500W	10W	3W	5W		10W	
Rating power		6000W	10W	3W	5W		10W	

## CONTENTS

- 01-02 Components instruction
- 03 Diagram for water and electricity
- 03-14 Installation steps
- 15-16 Control panel and function instruction
- 17 Dirt cleaning equipment instruction
- 18-19 Service card
- 20 Troubleshooting instruction

## Parts instruction



1.Top cover	2.Exhausting fan	3.H-2065 top shower	4.Upper fixed aluminum profile
5.Quadrate lifting support	6.Shower head	7.Left back panel	8.Generator cleaning inlet
9.Quadrate steam outlet	10.Corner aluminum profile (back)	11.Side panel	12.Quadrate jet
13.Corner aluminum profile (front)	14.Lower fixed aluminum profile	15.Bottom pallet	16.Light
17.Speaker	18.LED ceiling lamp	19.Fixed frame	20.Control panel
21.Supporter	22.Faucet and deviator	23.Middleback panel	24.Right back panel

## Parts instruction

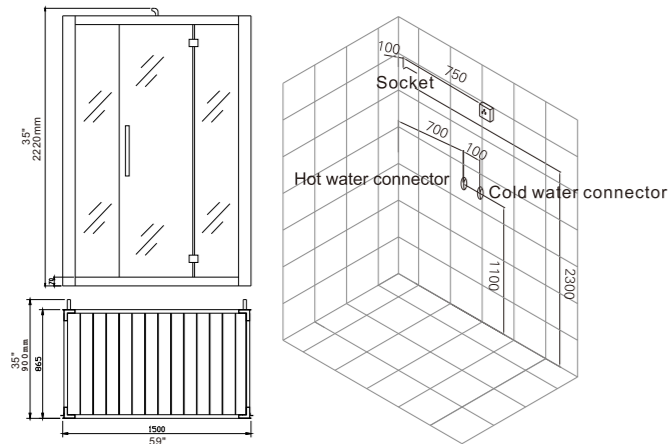
25.Stool	26.Clip	27.Waterproof seal
28.Front fixed glass	29.Handle(small)	30.Movable door
31.Magnetic stripe	32.Tray	

### Parts package

4x25 flat self locking screw 36pcs	4x20 flat self locking screw 16pcs
Colloidal particle 36pcs	Glass cement (black) 1 pc
2.5mm hexagon wrench 1pc	3 mm hexagon wrench 1pc
4mm hexagon wrench 1pc	Delting 10pcs

## Diagram for water and electricity

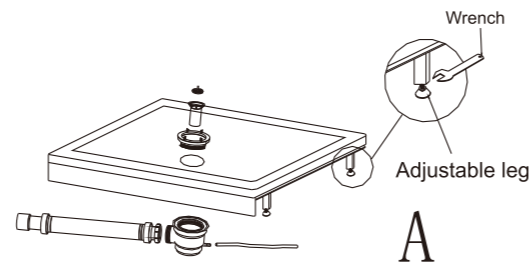
Size: 59" x 35" x 87" (1500mm x 900mm x 2220mm)



## Installation instruction 1

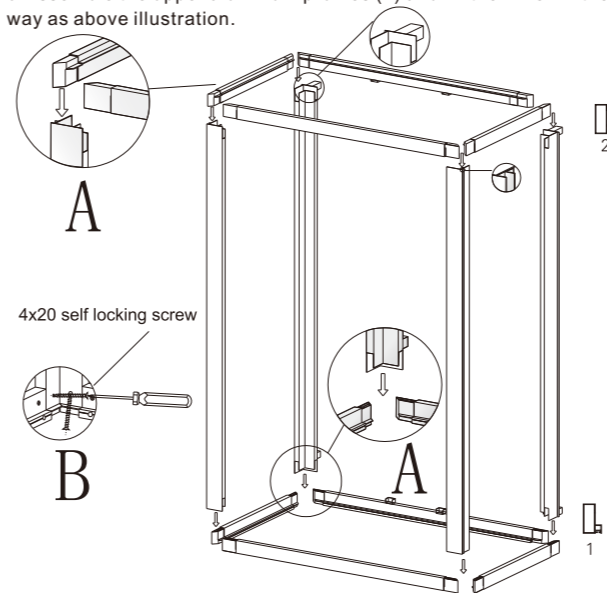
Install the shower tray:

1. Please lay the shower tray on the suitable installation place, and adjust the bottom legs till the shower tray meets horizontal condition. Method: Put a Beam Level on the shower tray, and check if the shower tray is horizontal enough. If not, please adjust the height of bottom legs is okay. Please refer to picture A.
2. The waste drainer and pipe have been assembled well, please check whether they become loose or not. If not loose, please insert the bottom waste pipe into the house waste pipe and fix it well is okay.



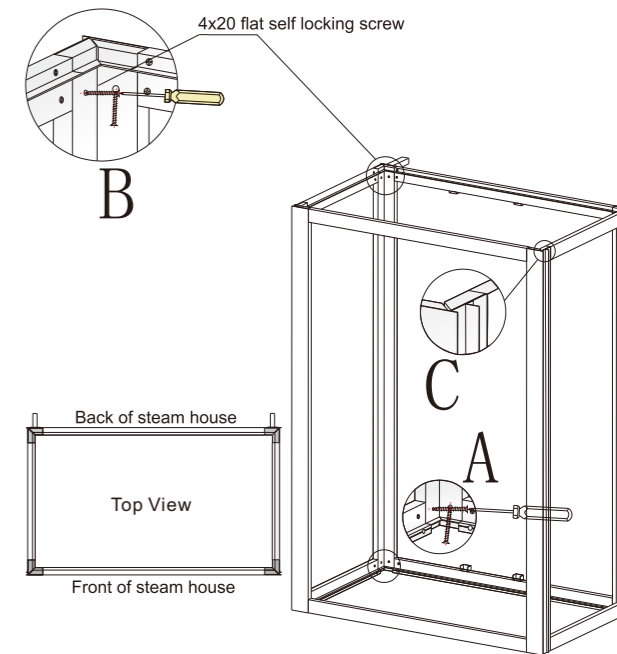
## Installation instruction 2

1. Lay all aluminum profiles on the ground, and separate them well with Upper back profile, Upper front profile, Upper left profile and Upper right profile, Lower back profile, Lower front profile, Lower left profile, Lower right profile, left front column profile, left back column profile, right front column profile and right back column profile.
2. Put lower aluminum profiles (1) on the ground, and then insert corner aluminum column profiles into lower profiles, please refer picture A. Find out 4x20mm self-tapping screws and use a Philips Screwdriver to fix them tightly together is okay, please refer picture B.
3. Assemble the upper aluminum profiles (2) and fix them well in the same way as above illustration.



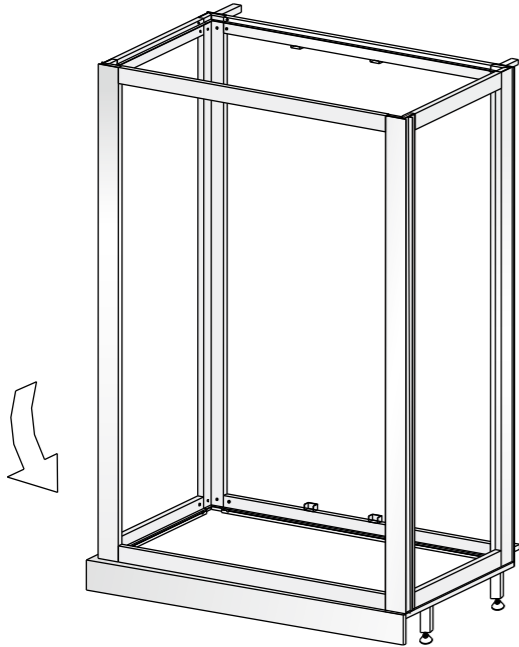
## Installation instruction 3

1. Please lock all the four corners tightly with 4x20mm flat self-tapping screws. Please refer picture A and B.
2. After assemble and fix all aluminum frames well, please check the gaps between all of them, and make sure all gaps tolerance not more than 0.5mm. Please refer picture C.



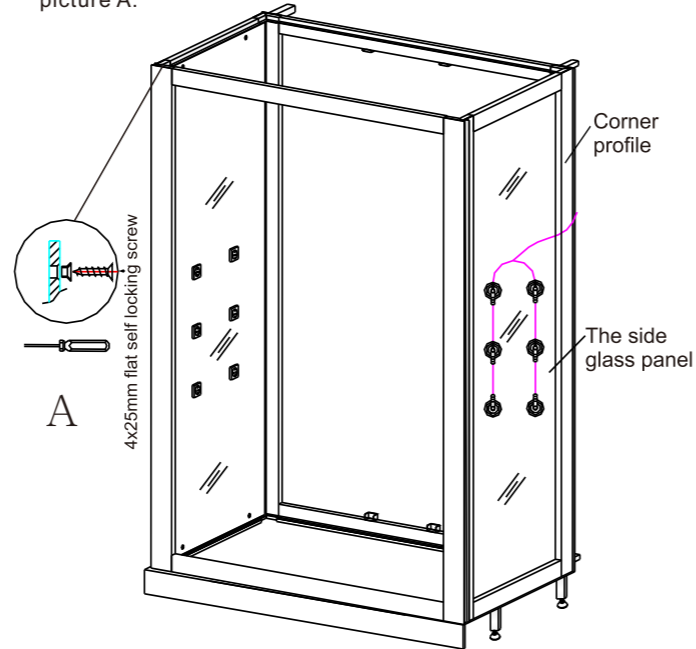
## Installation instruction 4

Put the assembled aluminum profiles on the shower tray.



## Installation instruction 5

1. Take the left side glass panel with jets out. One person lean the glass panel against the aluminum frames from inside and hold them on. Please align the side glass panel Upper two holes with the back aluminum frame holes. The other person insert the rubber plugs into the glass Upper holes, and use 4x25mm flat self-tapping screws to lock them tightly is okay. Please refer to picture A.



## Installation instruction 5

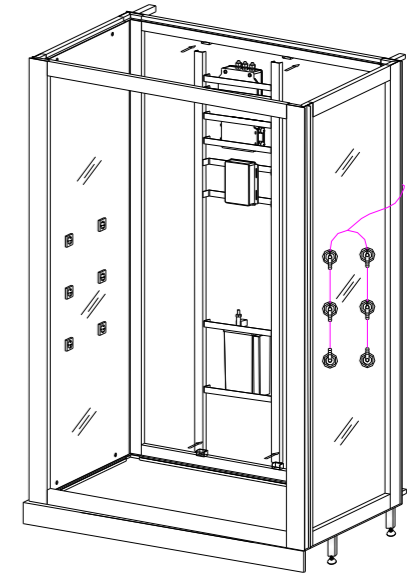
2. The same way to fix Middle holes and the Lower holes of glass panels.
3. The same way to install the right side glass panel as above.

### Notice:

All glass panels please be sure to align and fix Upper holes first, or if align and fix Lower holes first that maybe Upper holes can not be in good alignment.

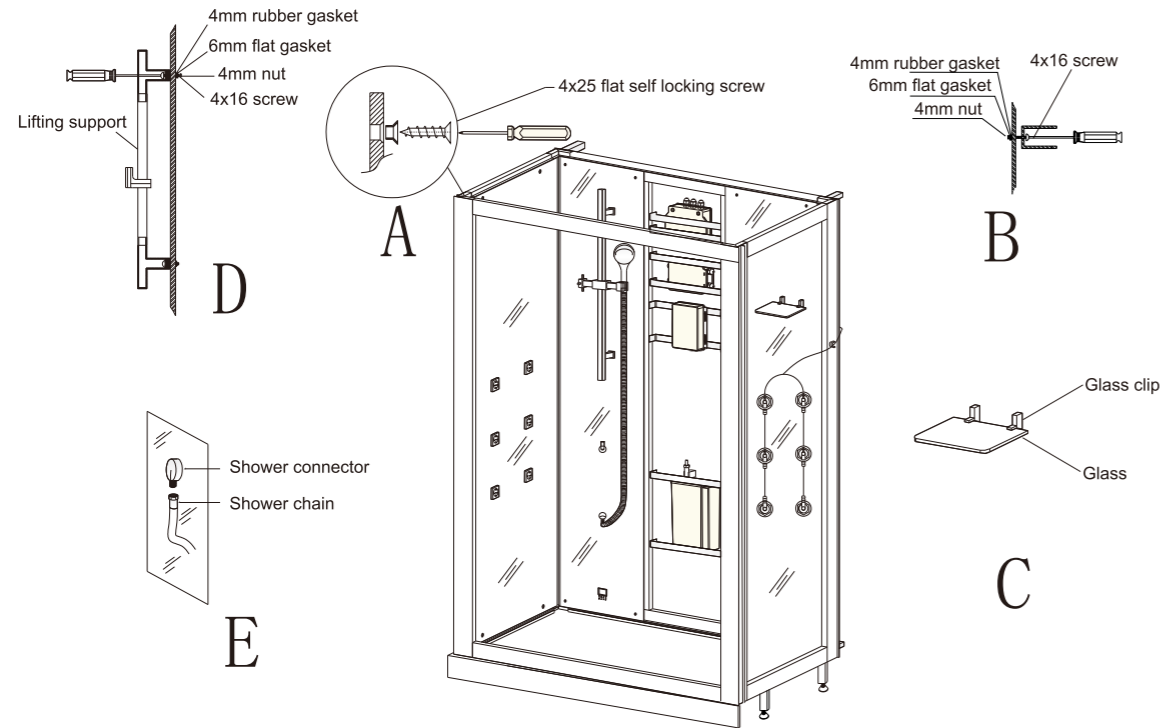
## Installation instruction 6

1. Take out the central frame with all assembled electrical parts. Insert the central frame top and bottom into the upper aluminum frame and the lower aluminum frame is okay.
2. After assemble the central frame well, please check all gaps and make sure the gap tolerance is not more than 1mm.
3. Please check all the parts installed on the central panel frame, and make sure all of them in corresponding positions, and not become loose.



## Installation instruction 7

1. Take out the left back glass panel which with hand shower holes, etc. Lean it against the left back aluminum frames. Please align the Upper glass two holes with the back aluminum frames holes first, and then use 4x25mm flat self-tapping screws to fix them well is okay. Please refer picture A.
2. The same way to align and fix the left back glass panel Middle holes and Lower holes as above.

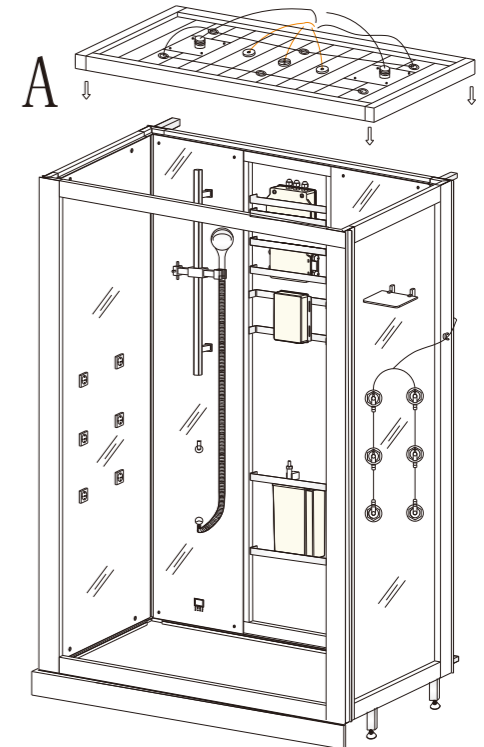


## Installation instruction 7

3. The same way to install the right back glass panel and fix holes well as above. Please note that the right back glass panel with glass shelf holes.
4. Take out the glass shelf with clips, and install the glass clips to the right back glass panel. Please refer Picture B. Install the glass shelf to the clips, please refer picture C.
5. Install the hand shower support bar to the left back glass panel with 4x16mm screws, please refer picture D. Install the hand shower chain and head, and lay them well, please refer picture E. Install the steam pot, the self-cleaning cup well.

## Installation instruction 8

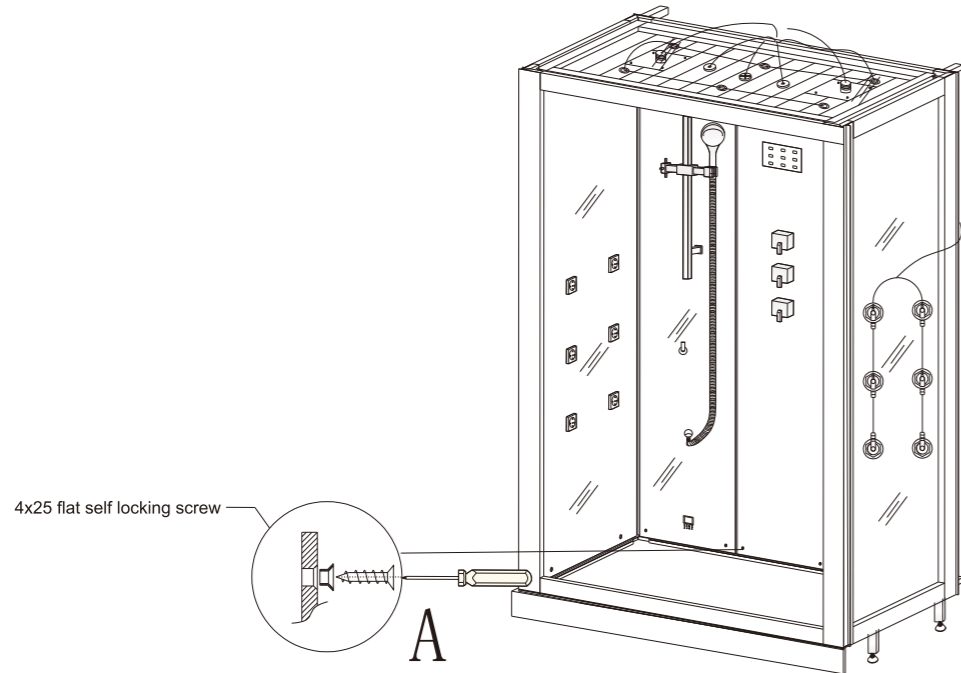
Take out the top cover and lay it on the the top, and then connect ventilator wires, Led lights wires, loudspeaker wires and so on, please refer picture A.





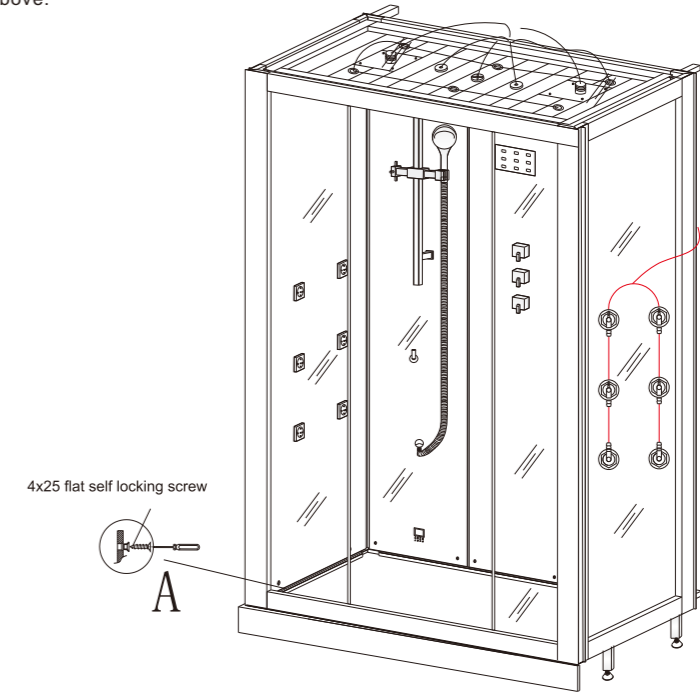
## Installation instruction 9

1. Take out the central glass panel with faucets. Please connect all the water hoses and all electrical wires behind it well, and then lean the central glass panel against the central frame. Please align the central glass panel Upper holes with the back aluminum frame Upper holes, and fix them well with 4x25mm flat self-tapping screws is okay. Notice: This central glass panel is removable for easy to do after sales service.
2. The same way to align and fix central glass panel Middle holes and Lower holes as above.



## Installation instruction 10

1. Please separate the left front fixed glass door from the right front fixed glass door. Take out the left front fixed door, and lean it against the top aluminum frame and the bottom aluminum frame from inside. Please align the fixed door Upper 2 holes with aluminum frame holes, and fix them well with 4x25mm flat self-tapping screws. Please refer picture A.
2. The same way to align and fix the fixed door Lower holes as above.
3. The same way to install the right front fixed door as above.

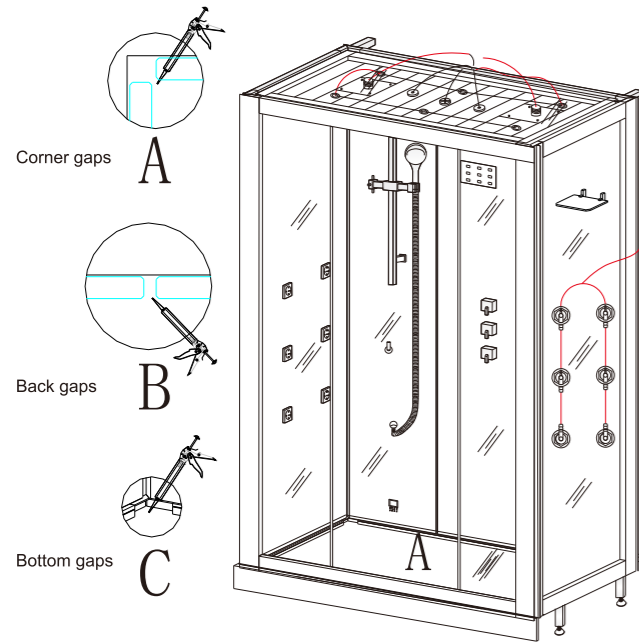


### Installation instruction 11

Apply glass cement to all the glass panels joint corners gaps. Please refer picture A, picture B, and picture C.

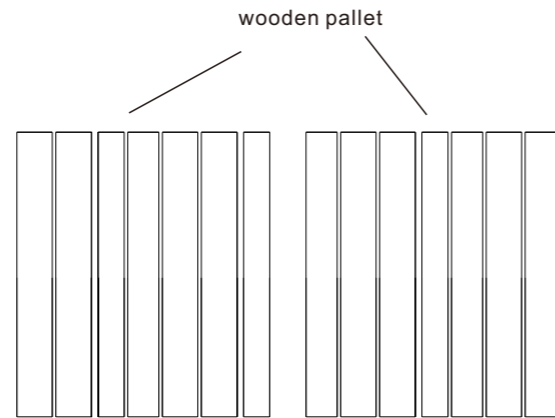
Notice:

The glass cement will take 24hours to solidify.



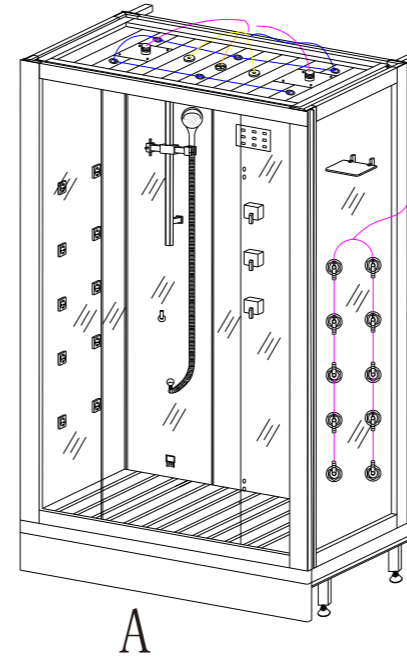
### Installation instruction 12

Please use a piece of clean towel to clean the shower base, and then lay the two pieces of wood pallets on the shower base is okay.



### Installation instruction 13

Please double check all water hoses and all electrical parts wires have been connected and fixed well.

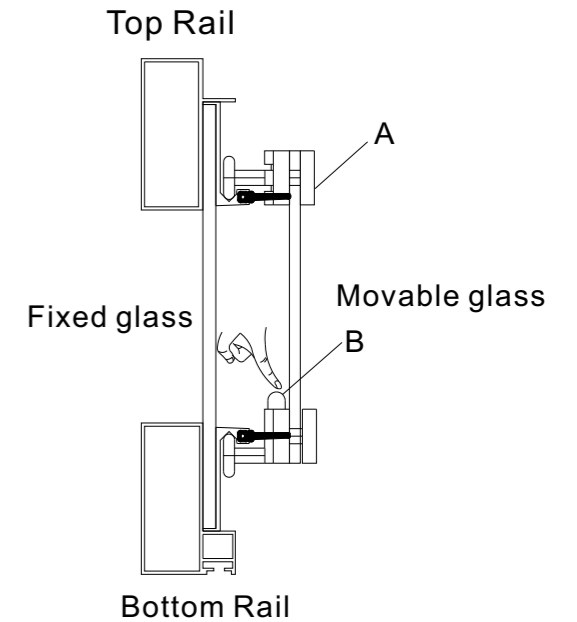


### Installation instruction 14

Install the sliding doors

1. Hang the left sliding door top rollers into the top rail, please refer picture A. Please press the Lower rollers to hook the bottom rail, please refer picture B.
2. The same way to install the right sliding door as above.

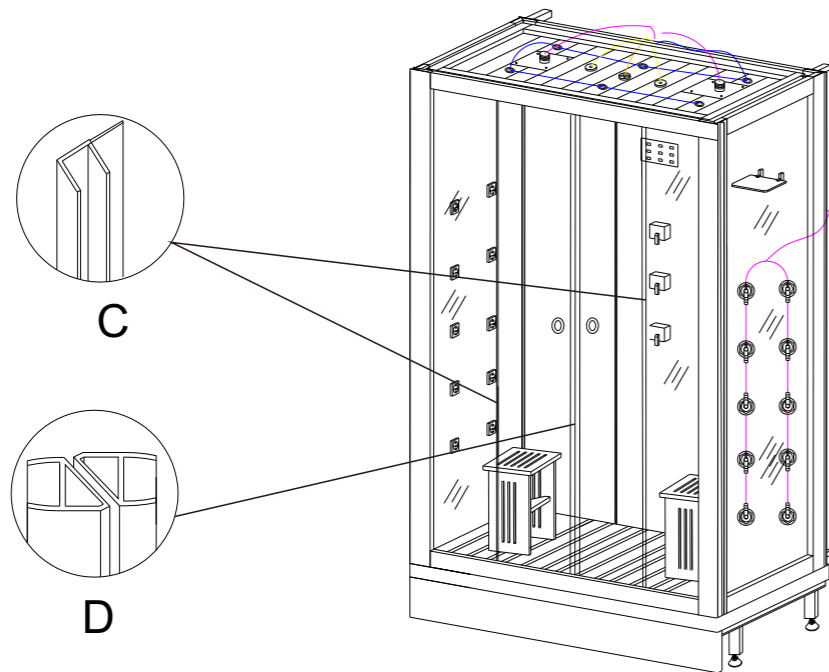
Notice: In case the two sliding doors are not closed entirely, please use a small Slotted Screwdriver to adjust sliding doors upper rollers is okay.





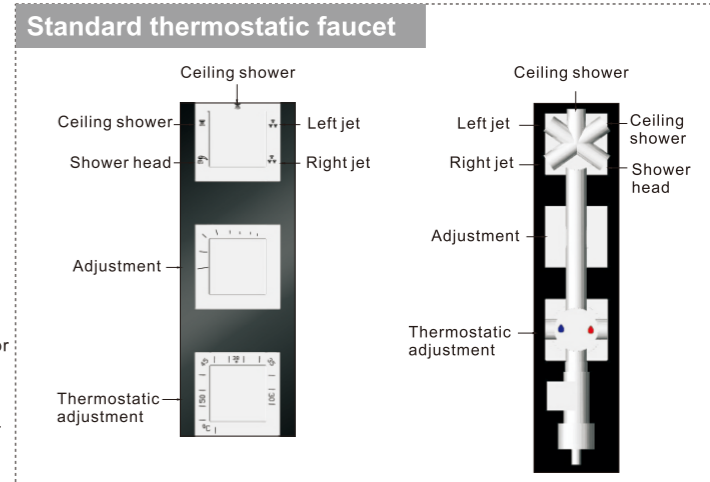
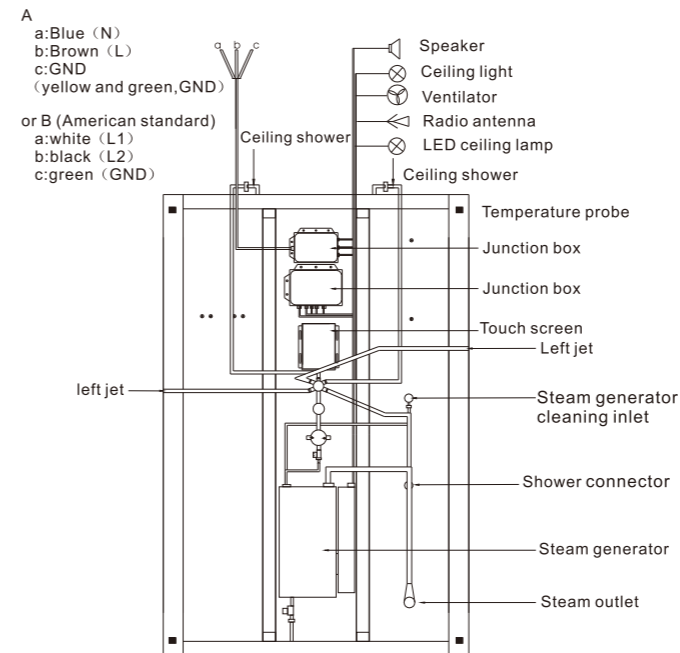
## Installation instruction 15

1. Take out the waterproof strips and assemble them to the fixed doors, please refer picture C.
2. Take out the magnetic strips and assemble them to sliding doors, please refer picture D.
3. Take out the two circular door handles, and install them to the glass doors is okay.




## Installation instruction 16

1. Connect the ceiling shower tube, steam tube, steam drainage tube, the cold & hot water pipes and so on.
2. Please check and test all functions can work well.



## F8 Control panel keys and operating instructions


### 1).Power key


Press  to switch on the steam room, press again to switch it off. The steam room will shut down in 60 minutes automatically. ( As picture1 )



As picture1

### 2).Steam key

Press  The steam generator starts working. The temperature will be shown on the control panel like the picture 2.

Press  while the system is off for 2 seconds to starts the water draining function, let go the button to stop the function.

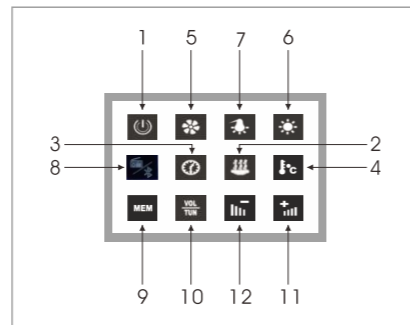


As picture2

Automatic water draining function: drain water for 5 minutes after the system is off for 40 minutes.

The icon will flick when the function turns on with the uull water level, otherwise the iron is silent.

Ambient temperature <=setting temperature-2 two sets of fuse starts to work; ambient temperature > setting temperature then heater stop working.




### 3).Time adjusting


When the steam function starts to work, press for more than 1 second the setting time will be increased continuously as picture 3. When it reaches to the maximum level and will return to the minimum level automatically. The time setting range is between 5-50 minutes. The default setting time is 30 minutes.



As picture3

### 4).Temperature adjusting key

After steam function is turned on, press  will


increase the temperature. When press  more than 1 second, the setting temperature will be increased continuously until you stop pressing Or,just when it reaches the maximum limiting temperature that it will return to the minimum limiting temperature automatically.





As picture4

Note:The temperature setting range is between 20 °C-50°C.The

controlled temperature tolerance: ±3°C The default temperature is 40°C.

Press  for 2 seconds to change the temperature unit before start the steam function.


### 5).Ventilator key

Press  to turn on the ventilator , press  again to turn off the ventilator.




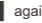
As picture5

### 6).Color light key

Press  to turn on the color light. After the color light is turned on, each more press will change the different colors of the light. The color light works in this sequence: Turn on, blue ---blue and red ---red----red and orange---orange ---orange and blue---blue---circulating---turn off.

Press the key for 2 seconds to turns off the function



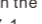
### 7).lamp key

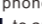
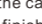
Press the  key to turn on the lamp, press  again and turn it off. (As picture 6)



As picture6

### 8).Radio key and bluetooth

Press  key to turns on the radio, press  again to turns off the radio and turns on the bluetooth; press  for the third time to turns off the multimedia. When the Bluetooth turns on the icon lightens as picture 7 and 7-1.

The phone icon lightens when answering the call. Press  to answer the call. And press  to finish the call.

Note: Please connect the mobile phone to the system while using the Bluetooth function.

The Bluetooth will disconnect after the system turns off for 10 seconds. It shows bt. F while no Bluetooth connected and bt while the Bluetooth connects well.

It shows bt. n when switch to next song, the password is "0000", The Bluetooth name is "SANJUN BT".





As picture7



As picture7 -1

### 9).Channel memory key



Press  and release within 1 second, the frequency of current channel will be changed; Press  and hold it more than 1 second, the frequency of current channel will be saved. It can memory total 8 channels.

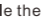
To refuse the call please press  key.



As picture8

### 10).Select key

This key gets double functions. When the radio is turned on, this key shows the Frequency function.Press the  key and it can be switched from the frequency to the volume function. Press the  key, on the Displayer will show like the (Picture 10) or (picture 9). (Picture 9) is for volume and (picture 10) is for frequency.

Press  to adjust volume and switch song while the Bluetooth turns on ad picture 9 and 9-1. Picture 9 shows the volume adjustment. 9-1 shows the song switch.




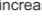
As picture9



As picture9-1

## F8 control panel key and operation instructio


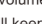
### 11).Volume up key

After the radio is turned on (As picture9), press  will increase the volume. Hold on the key more than 1 second, volume will keep increasing until the key is released. When( picture10) shoves on the displayer, press  will increase the frequency.Hold on the key more than 1 second, the frequency will keep increasing until the key is released.



As pictur10

### 12).Volume down key

After the radio is turned on, when (Picture 9) is shown on the displayer, press  will decrease the volume. Hold on the key more than 1 second, volumed will keep decreasing until the key is released. When ( picture10) is shown on the displayer,press  will decrease the frequency.Hold on the key more than 1 second, the frequency will keep decreasing until the key is released.


### 13. Fault code

Code	Fault	Solution
E1	Recognition error	Please change a new main engine.
E2	Communication error	Check whether the communication connection is normal, the main engine
E4	Water inlet overtime	Check whether the water connection is normal
E5	Water inlet failure	Check whether the water connection is normal
E8	Temperature probe is open circuit	Check whether the line connection is faulty,or replace the temperature
E9	Temperature probe short circuit	Check whether the line connection is faulty,or replace the temperature

## User's manual for cleaning the steem generator

Using steps: Turn off the power first, and then open the lid of cleanning cup, put the cleaning liquid in the cleanning cup, after that, cover the lid back. Now turn on the power , start the steam function to make the self-cleaning function work, later turn off the power, and pipe water away.

### 1).Power off

For safety, it is strictly prohibited to open the lid of the easy cleaning cup during using. In order to avoid steam gas emits out and scald users, please shut down all other functions before using the steam generator  cleaning function. (As picture 11)

### 2).Open the easy cleaning cup

After Making sure all of functions are turned off, find out the cleaning cup according the right picture illustrated, and rotate the lid of the cleaning cup to the reverse direction, and then take the lid out slightly. ( As picture12)



### 3).put the cleaning liquid

After opening the cleanning cup, use a spoon to take a proper amount of cleaning liquid, such as Citric acid, or neutral compound cleaning liquid ( around 5 ml) to put in the cleaning cup. Note: If the cleaning material is solid, first, please dissolve it with water to prevent blocking.Strictly prohibit to use any other acid, alkaline compounds to be poured into the cleanning cup directly( As picture13).



### 4).Cover the lid

After adding the cleaning liquid, cover the lid back and turn it in clockwise direction to fasten,like this can prevent the steam emitting out to scald users( As picture14).

### 5).Turn on and start the steam function

After covering the lid, press  to turn on the steam generator function, and the system  will begin to clean the steam box automatically.( As picture15)

### 6).Turn off the power and drain out the waste water

After 5-10 minutes, press the  to turn off the steam generator, then press the , the waste water will be drained out automatically( As picture16).



As picture 11



( As picture2 )



( As picture3 )



( As picture4 )



( As picture5 )



( As picture6 )

#### Notice:

1. Strictly prohibit to use the cleaning function while any other function is on;
  2. Strictly prohibit to use any other alkaline cleaning compound to clean steam generator;
  3. Strictly prohibit to use any solid cleaning agent to clean steam generator, in order to avoid blocking the pipe.
- We recommend that you use citric acid solution to clean steam generator!

## Maintenance service card

Item number			
Serial number		Purchasing date	
Phone number			
<p>Gorgeous guarantees to keep:</p> <p>Our series' products in good repair against the maintenance service card and purchasing receipt since the purchasing date. If it is the product quality problem, it will be free maintenance or change the spare parts. If the problem is not caused by the products itself or over-exceed the one-year guarantee, it will charge the repairing fees and spare parts costs.</p>			

The first page is kept for the customer.

## Maintenance service card

Item number	
Serial number	
Customer name	
Phone number	
Address	
Agent shop	
Phone number	
Purchasing date	

The second page is sent back to head office.

Maintenance service card	
Item number	
Serial number	
Customer name	
Phone number	
Address	
Agent shop	
Phone number	
Purchasing date	

## Steam shower room trouble shooting

Malfunction Status	Reasons	Solutions
Small volume inlet water	<ol style="list-style-type: none"> <li>1. Lower inlet water pressure</li> <li>2. The water inlet pipe is blocked</li> </ol>	<ol style="list-style-type: none"> <li>1. Check the inlet water pressure, then check with local plumber</li> <li>2. Clean the filtre</li> </ol>
Water divert valve can't divert water	<ol style="list-style-type: none"> <li>1. Rubber inside the valve damaged or distorted</li> </ol>	<ol style="list-style-type: none"> <li>1. Change a new one</li> </ol>
No signal on the control panel	<ol style="list-style-type: none"> <li>1. There is no power in the user's house or the wire not connected well</li> <li>2. Not switch the power on</li> <li>3. The connecting wire for the control panel becomes loose</li> </ol>	<ol style="list-style-type: none"> <li>1. Need to wait the power on, connect wires in right way</li> <li>2. Swtich on the power</li> <li>3. Take it off and install it again, don't forget fasten it</li> </ol>
There is steam signal on the control panle, but no steam comes out	<ol style="list-style-type: none"> <li>1. The Temperature limiter operate or the heater is broken</li> </ol>	<ol style="list-style-type: none"> <li>1. Ask help to qualified people</li> </ol>
Chromatherapy light doesn't work	<ol style="list-style-type: none"> <li>1. The connecting wire blew out or the lamp holder loosen</li> <li>2. Lamp pannel is broken</li> </ol>	<ol style="list-style-type: none"> <li>1. Change a new one or install it well again</li> <li>2. Change a new one</li> </ol>
Ventilator doesn't work	<ol style="list-style-type: none"> <li>1. The connecting wire is off</li> <li>2. The fan blade gets stuck</li> <li>3. The ventilation fan is broken</li> </ol>	<ol style="list-style-type: none"> <li>1. Reconnect it well</li> <li>2. When the fan is on spur the blades slightly</li> <li>3. Change a new one</li> </ol>