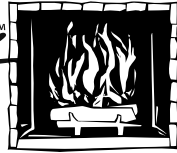
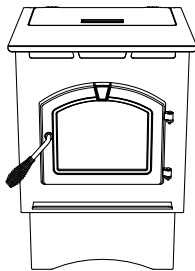


# Pleasant Hearth

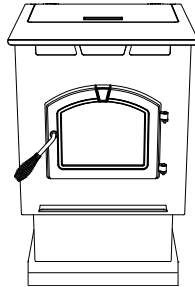


*Warming Your Home. Warming Your Heart.*

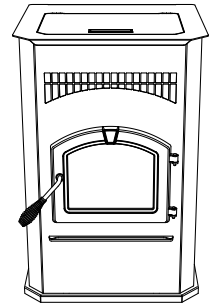
## High Efficiency Pellet Stove



**PH35PS**



**PH50PS**



**PH50CABPS**

### Models:

**PH35PS Series - Medium Pellet Stove with Pedestal**

**PH50PS Series - Large Pellet Stove with Pedestal and Base Pan**

**PH50CABPS Series - Cabinet Pellet Stove**



## Owner's Manual

Installation and Operation

**SAFETY NOTICE: PLEASE READ THIS ENTIRE MANUAL BEFORE INSTALLATION AND USE OF THIS PELLET FUEL-BURNING ROOM HEATER. FAILURE TO FOLLOW THESE INSTRUCTIONS COULD RESULT IN PROPERTY DAMAGE, BODILY INJURY OR EVEN DEATH. CONTACT LOCAL BUILDING OFFICIALS ABOUT RESTRICTIONS AND INSTALLATION INSPECTION REQUIREMENTS IN YOUR AREA.**

SAVE THESE INSTRUCTIONS

**Questions, problems, missing parts? Before returning to your retailer, call our customer service department at 877-447-4768 8:30 a.m – 4:30 p.m. CST, Monday – Friday or email us at [customerservice@ghpgroupinc.com](mailto:customerservice@ghpgroupinc.com).**



6440 W. Howard St.  
Niles, IL 60714  
877-447-4768

This heater meets the U.S. Environmental Protection Agency's emission limits for wood heaters sold after May 15, 2015.



**Intertek**  
Certified to ULC S627  
and ASTM E1509

# Lighting Instruction Guide

## ⚠ CAUTION ⚠

All material needs to be removed from the door glass and firebox before operation.

Follow all instructions and warnings for safe startup of stove. Failure to follow instructions could result in injury or damage.

During startup and normal operation your appliance's front door must be closed.

Odors and vapors are released during initial startup after purchase. Burning your appliance on HI for 30 minutes will allow the paint to cure. Open windows or doors for air circulation until burn-off is complete.

1. Turn Dial Control to OFF and ensure appliance is completely shut down, **Figure 2.1**.

2. Ensure appliance is completely cooled and clean fire pot (see **Cleaning Fire pot in the General Maintenance section of Owner's Manual under Maintaining and Servicing the Appliance**)

3. Open front door and ensure all baffle are installed properly, **Figure 2.2** (also see **Clean the Exhaust Path, Baffles, and Drop Tube in the General Maintenance section of Owner's Manual under Maintaining and Servicing the Appliance**).

\*Once verified, close door.\*

4. Inspect hopper and ensure there is pellet fuel in the hopper. If there is fuel in the hopper, close lid and proceed to step 5, **Figure 2.3**.

NOTE: If the hopper is completely empty, the appliance will need to have pellet fuel added to the hopper and may need to be primed (see **Priming The Feed Tube in the General Operating Information section of Owner's Manual**).

5. Turn dial control to desired setting.  
-Green light will start blinking rapidly to indicate startup sequence.

NOTE: If the appliance fails to ignite, the LED light will blink red 4 times continuously indicating a missed ignition alarm; repeat lighting steps 1 through 5.

NOTE: It may take up to 20 minutes for a missed ignition alarm.



Figure 2.1

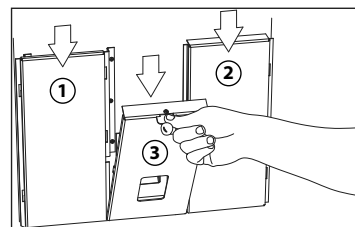


Figure 2.2

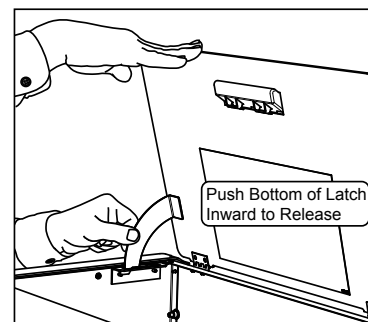


Figure 2.3

**Safety Alert Key:**

- **DANGER!** Indicates a hazardous situation which, if not avoided will result in death or serious injury.
- **WARNING!** Indicates a hazardous situation which, if not avoided could result in death or serious injury.
- **CAUTION!** Indicates a hazardous situation which, if not avoided, could result in minor or moderate injury.
- **NOTICE:** Indicates practices which may cause damage to the appliance or to property.

**TABLE OF CONTENTS**

<b>1 Listing and Code Approvals.....</b>	<b>5</b>	<b>6 Getting Started.....</b>	<b>23</b>
A. Appliance Certification.....	5	A. Design, Installation & Location Considerations.....	23
B. BTU & Efficiency Specifications.....	5	B. Draft.....	23
C. Mobile Home Approved.....	5	C. Negative Pressure.....	23
D. Glass Specifications.....	5	D. Locating Your Appliance & Chimney.....	24
E. Electrical Rating (On High).....	5	E. Inspect Appliance & Components.....	24
<b>2 User Guide: General Information.....</b>	<b>6</b>	F. Tools And Supplies Needed.....	24
A. Fire Safety.....	6	<b>7 Dimensions &amp; Clearances.....</b>	<b>25</b>
B. Combustible/Non-Combustible Materials.....	6	A. Appliance Dimensions: PH35PS.....	25
C. Fuel Material and Fuel Storage.....	6	B. Appliance Dimensions: PH50PS.....	25
D. Before Your First Fire.....	6	C. Appliance Dimensions: PH50CAB.....	26
<b>3 User Guide: General Operating Information.....</b>	<b>7</b>	D. Clearances to Combustibles (UL and ULC).....	26
A. User Dial Control.....	7	E. Hearth Pad Requirements (UL and ULC).....	27
B. Filling the Hopper.....	7	<b>8 Vent Information.....</b>	<b>28</b>
C. Priming the Feed Tube.....	8	A. Chimney and Exhaust Connection.....	28
D. Firepot Burn Down.....	8	B. Venting Termination Requirements.....	28
E. Shutdown.....	8	C. Pellet Venting Charts.....	29
F. Starting Your First Fire.....	9	<b>9 Venting Systems.....</b>	<b>30</b>
G. Fire Characteristics.....	9	A. Vertical - Interior - Typical Installation.....	30
H. Your Pellet Appliance - General Operating Parts.....	10	C. Vertical into Existing Class A Chimney.....	30
I. LED Color Coding Chart and Explanation.....	11	B. Through The Wall & Vertical - External - Horizontal.....	30
J. Ignition Cycles.....	12	D. Masonry.....	31
K. Running in Minimum or Maximum.....	12	E. Alternate Masonry.....	31
L. Running in the Automatic Mode.....	12	F. Through The Wall.....	32
M. Clear Space.....	12	<b>10 Mobile Home.....</b>	<b>33</b>
N. Trim Adjustment.....	12	A. Mobile Home Installation.....	33
<b>4 Maintaining &amp; Servicing Your Appliance.....</b>	<b>13</b>	<b>11 Appliance Set-Up.....</b>	<b>34</b>
A. Proper Shutdown Procedure.....	13	A. Outside Air Kit Instructions.....	34
B. Quick Reference Maintenance Chart.....	13	<b>12 Troubleshooting.....</b>	<b>35</b>
C. General Maintenance.....	14	<b>13 Reference Materials.....</b>	<b>38</b>
D. High Ash Fuel Content Maintenance.....	18	A. Component Function.....	38
E. Frequently Asked Questions.....	19	B. Wiring Diagram.....	39
<b>5 Replacement Parts.....</b>	<b>20</b>	C. Replacement Parts.....	40
A. Convection Blower Replacement.....	20	D. Service & Maintenance Log.....	41
B. Exhaust Blower Replacement.....	20	E. 5 Year Warranty.....	43
C. Snap Disc Replacement.....	21		
D. Igniter Replacement.....	21		
E. Baffle Removal & Replacement.....	21		
F. Glass Replacement.....	22		
G. Control Board Replacement.....	22		
H. Fuse Replacement.....	22		
I. Feed Motor Replacement.....	22		
J. Feed Spring Replacement.....	22		

<b>French Manual.....</b>	<b>45</b>
<b>Spanish Manual.....</b>	<b>89</b>

## CAUTION

After reading these instructions, if you have any doubt about your ability to complete your installation in a professional manner you should obtain the services of an installer versed in all aspects as to the correct and safe installation. Do not use temporary makeshift compromises during installation.

### BEFORE INSTALLATION OF YOUR APPLIANCE

1. Check with the building inspector's office for compliance with local codes; a permit may be required.
2. Use 3" or 4" (76-102mm) diameter type "L" or "PL" venting system. It can be vented vertically or horizontally. Approved adaptors can be used to connect the "L" or "PL" to approved wood stove venting such as single wall or double wall venting previously used to vent a wood burning appliance. **INSTALL VENT AT CLEARANCES SPECIFIED BY THE VENT MANUFACTURE.**
3. Always connect this unit to an approved chimney system and **NEVER** vent to another room or inside a building.
4. **DO NOT INSTALL A FLUE DAMPER IN THE EXHAUST VENTING SYSTEM OF THIS UNIT.**
5. **DO NOT CONNECT THIS UNIT TO A CHIMNEY FLUE SERVING ANOTHER APPLIANCE.**
6. The connector pipe and chimney should be inspected periodically and cleaned if necessary. Review additional information located in the maintenance section of this Owner's Manual.
7. Remember the clearance distances when you place furniture or other objects within the area. This includes heat sensitive materials such as candles, seasonal decorations or draperies. **DO NOT STORE WOOD, FLAMMABLE LIQUIDS OR OTHER COMBUSTIBLE MATERIALS TOO CLOSE TO THE UNIT.**
8. Be aware of the required clearances when locating the unit. Refer to the label on the rear of the unit for required clearances.
9. Contact your local municipal or provincial fire authority for information of how to handle a chimney fire. Have a clear understood plan to handle a chimney fire. In the event of a chimney fire, **CALL THE FIRE DEPARTMENT.**
10. Prior to burning the unit for the first time make sure the hardware kit has been removed from the firebox.

## IMPORTANT

It is highly recommended that the pellet heater and chimney be installed by a qualified installer. A qualified installer is a person or entity who regularly installs solid burning fuel products and chimneys in the course of their ordinary business.

### WARNING



**If the information in these instructions is not followed exactly, a fire may result causing property damage, personal injury, or death.**

- Do not store or use gasoline or other flammable vapors and liquids in the vicinity of this or any other appliance.
- Do not over fire - If heater or chimney connector glows, you are over firing. Over firing will void your warranty.
- Comply with all minimum clearances to combustibles as specified. Failure to comply may cause house fire.

### WARNING



#### HOT SURFACES!

Glass and other surfaces are hot during operation AND cool down.

#### Hot glass will cause burns.

- Do not touch glass until it is cooled
- **NEVER** allow children to touch glass
- Keep children away
- **CAREFULLY SUPERVISE** children in same room as fireplace.
- Alert children and adults to hazards of high temperatures.

#### High temperatures may ignite clothing or other flammable materials.

- Keep clothing, furniture, draperies and other flammable materials away.

### WARNING



#### Fire Risk.

Tested and approved for wood pellets. Burning of any over type of fuel will void your warranty.

# 1 Listing and Code Approvals

## A. Appliance Certification

<b>Series:</b>	PH35PS, PH50PS, PH50CABPS
<b>Laboratory:</b>	Intertek
<b>Report No.</b>	10072262PRT-001
<b>Type:</b>	Solid Fuel Room Heater/Pellet Fuel Burning Type
<b>Standard:</b>	ASTM E1509-04 and ULC S627-00, Room Heater Pellet Fuel Burning type and (UM) 84-HUD, Mobile Home Approved.

**NOTE:** This installation must conform with local codes. In the absence of local codes you must comply with the **ASTM E1509-04, ULC S627-00, (UM) 84-HUD,**

The Quadra-Fire Pleasant Hearth Pellet Heater meets the U.S. Environmental Protection Agency's emission limits for pellet heaters sold after May 15, 2015.

This pellet heater needs periodic inspection and repair for proper operation. It is against federal regulations to operate this pellet heater in a manner inconsistent with operating instructions in this manual.

## B. BTU & Efficiency Specifications

	PH35	PH50 PH50CAB	
EPA Certification #:	907	904	
EPA Certified Emissions:	0.3	0.7	grams/hour
*LHV Tested Efficiency:	N/A	N/A	%
**HHV Tested Efficiency:	83.8	84.4	%
***EPA BTU Output:	9,600 to 25,000	9,300 to 32,400	per hr.
****BTU Input:	12,900 to 34,400	12,500 to 43,900	per hr.
Vent Size:	3 or 4 inches, "L" or "PL"		
Hopper Capacity:	40	80/120	lbs.
Fuel	Wood Pellets		
* Weighted average LHV efficiency using data collected during EPA emissions test.			
**Weighted average HHV efficiency using data collected during EPA emissions test.			
***A range of BTU outputs based on EPA Default Efficiency and the burn rates from the low and high EPA tests.			
****Based on the maximum feed rate per hour multiplied by approximately 8600 BTU's which is the average BTU's from a pound of pellets.			

## C. Mobile Home Approved

This appliance is approved for mobile home installations when not installed in a sleeping room and when an outside combustion air inlet is provided.

The structural integrity of the mobile home floor, ceiling, and walls must be maintained.

The appliance must be properly grounded to the frame of the mobile home with #8 copper ground wire, and use only listed double-wall connector pipe.

Outside Air Kit provided with each unit must be installed in a mobile home installation.

## D. Glass Specifications

This appliance is equipped with 5mm ceramic glass. Replace glass only with 5mm ceramic glass. Please contact GHP for replacement glass.

## E. Electrical Rating (On High)

**PH35PS Series:** 115 VAC, 60 Hz, Start 2.6 Amps, Run 0.9 Amps

**PH50PS Series:** 115 VAC, 60 Hz, Start 2.6 Amps, Run 0.9 Amps

**PH50CABPS Series:** 115 VAC, 60 Hz, Start 2.6 Amps, Run 0.9 Amps

**WARNING! Risk of Fire! GHP disclaims any responsibility for, and the warranty and agency listing will be voided by the below actions.**

DO NOT:

- *Install or operate damaged appliance*
- *Modify appliance*
- *Install other than as instructed by the manufacturer.*
- *Operate the appliance without fully assembling all components*
- *Over fire*
- *Install any component not approved by the manufacturer*
- *Install parts or components not Listed or approved*
- *Disable safety switches*

*Improper installation, adjustment, alteration, service or maintenance can cause injury or property damage.*

*For assistance or additional information, consult a qualified installer, service agency or your dealer.*

# 2 User Guide: General Information

## A. Fire Safety

To provide reasonable fire safety, the following should be given serious consideration:

- Install at least one smoke detector on each floor of your home.
- Install at least one carbon monoxide detector on each floor of your home.
- Locate smoke detector away from the heating appliance and close to the sleeping areas.
- Follow the smoke detector manufacturer's placement and installation instructions and maintain regularly.
- Follow the carbon monoxide manufacturer's placement and installation instructions and maintain regularly.
- Conveniently locate a Class A fire extinguisher to contend with small fires.
- In the event of a hopper fire:
  - Evacuate the house immediately.
  - Notify fire department.

## B. Combustible/Non-Combustible Materials

### • **Combustible Material**

Material made of or surfaced with wood, compressed paper, plant fibers, plastics, or any material capable of igniting and burning, whether flame-proofed or not, plastered or non plastered.

### • **Non-combustible Material**

Material which will not ignite and burn. Such materials are those consisting entirely of steel, iron, brick, tile, slate, glass or plasters, or any combination thereof.

### • **Non-combustible Sealant Material**

Sealants which will not ignite and burn: Rutland, Inc. Fireplace Mortar #63, Rutland 76R, Nuflex 304, GE RTV106 or GE RTB116 (or equivalent).

### **WARNING**

This product and the fuels used to operate this product (charcoal or wood), and the products of combustion of such fuels, can expose you to chemicals including carbon black, which is known to the State of California to cause cancer, and carbon monoxide, which is known to the State of California to cause birth defects or other reproductive harm. **For more information go to [www.p65Warnings.ca.gov](http://www.p65Warnings.ca.gov)**

## C. Fuel Material and Fuel Storage

Pellet fuel quality can greatly fluctuate. We recommend that you buy fuel in multi-ton lots whenever possible. However, we do recommend trying various brands before purchasing multi-ton lots to ensure your satisfaction.

### Fuel Material

- Made from sawdust or wood by-products
- Depending on the source material it may have a high or low ash content.

### Higher Ash Content Material

- Hardwoods with a high mineral content
- Fuel that contains bark
- Standard grade pellets or high ash pellets

### Lower Ash Content Material

- Most softwoods
- Fuels with low mineral content
- Most premium grade pellets

### Clinkers

Minerals and other non-combustible materials such as sand will turn into a hard, glass-like substance called a clinker when heated in the firepot.

Trees from different areas will vary in mineral content. That is why some fuels produce more clinkers than others.

### Moisture

Always burn dry fuel. Burning fuel with high moisture content takes heat from the fuel and tends to cool the appliance, robbing heat from your home. Damp pellet fuel can clog the feed system.

### Size

- Pellets are either 1/4 inch or 5/16 inch (6-8mm) in diameter
- Length should be no more than 1-1/2 inches (38mm)
- Pellet lengths can vary from lot to lot from the same manufacturer
- Due to length variations, the feed rate may need adjusting occasionally

### Performance

- Higher ash content requires the firepot and the ash drawer to be emptied more frequently
- Hardwoods require more air to burn properly
- Premium wood pellets produce the highest heat output
- Burning pellets longer than 1-1/2 inches (38mm) can cause an inconsistent fuel feed rate and/or missed ignitions of feed jams.

### Storage

- Wood pellets should be left in their original sealed bag until using to prevent moisture absorption
- Do not store any pellet fuel within the clearance requirements or in an area that would hinder routine cleaning and maintenance

## D. Before Your First Fire

1. First, make sure your appliance has been properly installed and that all safety requirements have been met. Pay particular attention to the fire protection and venting.
2. Double check that the firebox is empty and the firepot is in place!
3. Close and latch the door.

# 3 User Guide: General Operating Information

## A. User Dial Control

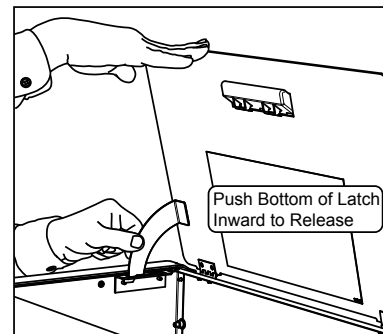
The appliance has one dial control located on the side of the unit used for daily operation. There are four primary settings on this dial.

1. **Off** : When the dial indicator is in the off position the unit will go into a shut down and remain off until the dial is turned to one of the other three settings. The LED will flash green once per second when in the off position.
2. **MIN** : When the dial indicator is directed to the MIN setting (small flame on the label) the unit will burn on low until the hopper runs out of pellets or the dial control is turned to a different setting. When in this setting the LED will be amber in color and continuously on. When burning in this mode, the unit should be turned off at least once daily for cleaning. If lower quality fuels are used, additional daily shut downs may be required for cleaning.
3. **MAX** : Similar to the MIN mode, the unit will run continuously at the high burn rate until the unit has run out of fuel or the dial is turned to a different setting. To operate in this mode, turn the dial clockwise until it stops. The dial indicator will point to the large flame. When in this setting the LED will be amber in color and continuously on. Follow the daily cleaning recommendations when operating in this mode. If lower quality fuels are used, additional daily shut downs may be required for cleaning.
4. **AUTO** : To burn in the Automatic mode, turn the dial control clockwise to the desired comfort level. When operating in the automatic mode, the unit changes the burn setting based on the difference between the room temperature and the desired set point. In other words, the unit will burn on High if the difference between the desired and room temperature is greater than 8 degrees Fahrenheit. As the room heats up and the gap closes, the unit will automatically reduce the burn rate. When the room temperature is close to the set point the light will stop flashing stay solid green. At this time the stove will be burning on the lowest burn rate. When the desired temperature is achieved the unit will shut down. As the room cools, the unit will restart automatically. When burning in this mode the LED will be blinking green. The number of green flashes corresponds to the current burn rate.



## B. Filling the Hopper

Slowly open the hopper lid by lifting the handle. The medium and large units have a locking latch that will engage when the hopper lid is fully opened. The hopper lid for the cabinet will open past ninety degrees and stay open automatically. Fill the hopper with fuel. **FOR USE WITH ONLY WOOD PELLET FUEL.** Slowly close the hopper lid. See figure below for releasing the latch. **NOTE:** The unit will not feed with the hopper lid open. If left open, the fire will go out.



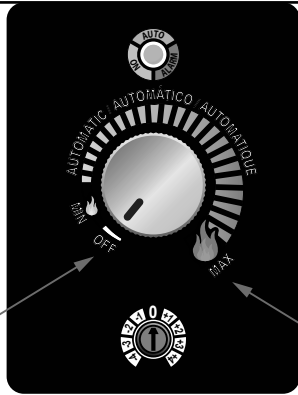
# 3 User Guide: General Operating Information

## C. Priming the Feed Tube



**STOP! Please Read Prior to Attempting Prime Function**

When attempting Prime function it is **NECESSARY** to operate the dial control **QUICKLY** in a single fluid motion. If this is not performed properly, the appliance will not prime.



This is the position for the dial control when starting the prime feature.

This is the position for the dial control when completing the prime function.



### WARNING

A FIREPOT THAT IS MORE THAN HALF FULL IS OVERFILLED AND CAN BE DANGEROUS. DO NOT OVERFILL FIREPOT FOR IGNITION.

Overfilling the firepot could cause an unsafe ignition resulting in injury or damage. Firepot must be emptied.



MAXIMUM  
PELLET LEVEL

The feed tube may need to be primed only if the hopper is being filled for the first time or if the appliance has run out of pellets. To prime the appliance, turn the dial control **QUICKLY** from the OFF position to the HI position, to OFF to HI in one fluid motion. The LED light will be a solid green color to indicate a successful prime function. When the feed motor is running continuously, the LED light will be a solid green color. When pellets start to drop into the firepot, the feed tube is primed. Turn the dial control to the desired position and the appliance will begin its ignition sequence with a blinking green light. Allow the appliance up to 20 minutes for ignition to occur.



### CAUTION

Do not restart or manually add pellets or any type of fuel to the burn pot during this process.

If the appliance does not ignite, the LED light will blink red four times showing a missed ignition alarm. Turn the appliance to off and remove and **EMPTY** the firepot.

Return the firepot to the appliance in the correct orientation. See figure in **Cleaning Fire pot in the General Maintenance section of Owner's Manual under Maintaining and Servicing the Appliance.**

Attempt relighting sequence (see Lighting Instructions Guide)..

## D. Firepot Burn Down

A feature of these pellet appliances is the firepot burn down cycle. The frequency of the cycle is once every hour the appliance is burning. During this event, the feed is reduced to the lowest setting and the exhaust blower ramps up to the highest setting. The purpose of the burn down cycle is to help remove debris from the firepot and help the appliance burn as efficient as possible. The cycle lasts 99 seconds. Please be aware that the burn down does not replace daily cleaning activities but makes them easier.

## E. Shutdown

To shut the appliance down, turn the dial control counter clockwise to the OFF position. During the shutdown process, the LED will flash amber or green rapidly just like the ignition sequence. The firepot burn down cycle will begin but without the feed motor running. The feed will be terminated during this shutdown process. The exhaust and convection blowers will remain on during the shutdown process until the exhaust has cooled.

If maintenance or daily cleaning is going to be conducted immediately following a shutdown, please use caution as components especially those inside the firebox may still be hot.

**Please note that if the dial control is turned to the off position and back on even if by mistake, the appliance will go through the shutdown sequence.**



# 3 User Guide: General Operating Information

## F. Starting Your First Fire

1. Turn the dial control to “OFF”.
2. Make sure the firepot is clean, in place, and free of debris.
3. Plug the appliance into the wall and fill the hopper with wood pellets. Shut the hopper lid.
4. Turn the dial control to the desired burn setting.

The appliance will go into the ignition sequence followed by start up (The green LED will flash rapidly). The ignition sequence involves the exhaust blower turning on, the igniter turning on, and the feed motor running in two stages. The first stage involves the feed motor running continuously for about a minute to preload pellets into the firepot. Following the preload and a delay, the feed motor will begin cycling on and off. When the pellets are warming up and on the verge of igniting, it is not uncommon for the firebox to fill with smoke. Once ignition actually happens, the smoke should evacuate quickly. During this stage as well as any part during the burn process, the front door should not be opened. This cycle continues until the appliance senses ignition by a rise in the exhaust temperature or the appliance times out. Following the ignition cycle the appliance begins to feed additional pellets gradually for a few minutes to build up the fire. This is important to have a controlled start up to keep the appliance in balance.

## G. Fire Characteristics

The overall height of the flame will vary throughout the burn for a couple of reasons. First is that the flame will vary based on type of fuel or even batch of fuel. Secondly, the appliance adjusts the burn rate according to the how far away the room temperature is from the set temperature. This should not cause alarm. The third characteristic that affects the fire relates to general maintenance and cleaning. Infrequent or poor general maintenance will result in poorer performance. Indicators of the need for additional maintenance activities include a lazy flame, black sooted glass, pellets not igniting, or pellets falling to the side of the firepot. See the maintenance section for additional information.

### CAUTION

Odors, vapors, and smoke released during initial operation.

- Curing of high temperature paint.
- Open windows for air circulation.

Odors may be irritating to sensitive individuals.

# 3 User Guide: General Operating Information

## ⚠ WARNING



### HOT SURFACES!

Glass and other surfaces are hot during operation AND cool down.

### Hot glass will cause burns.

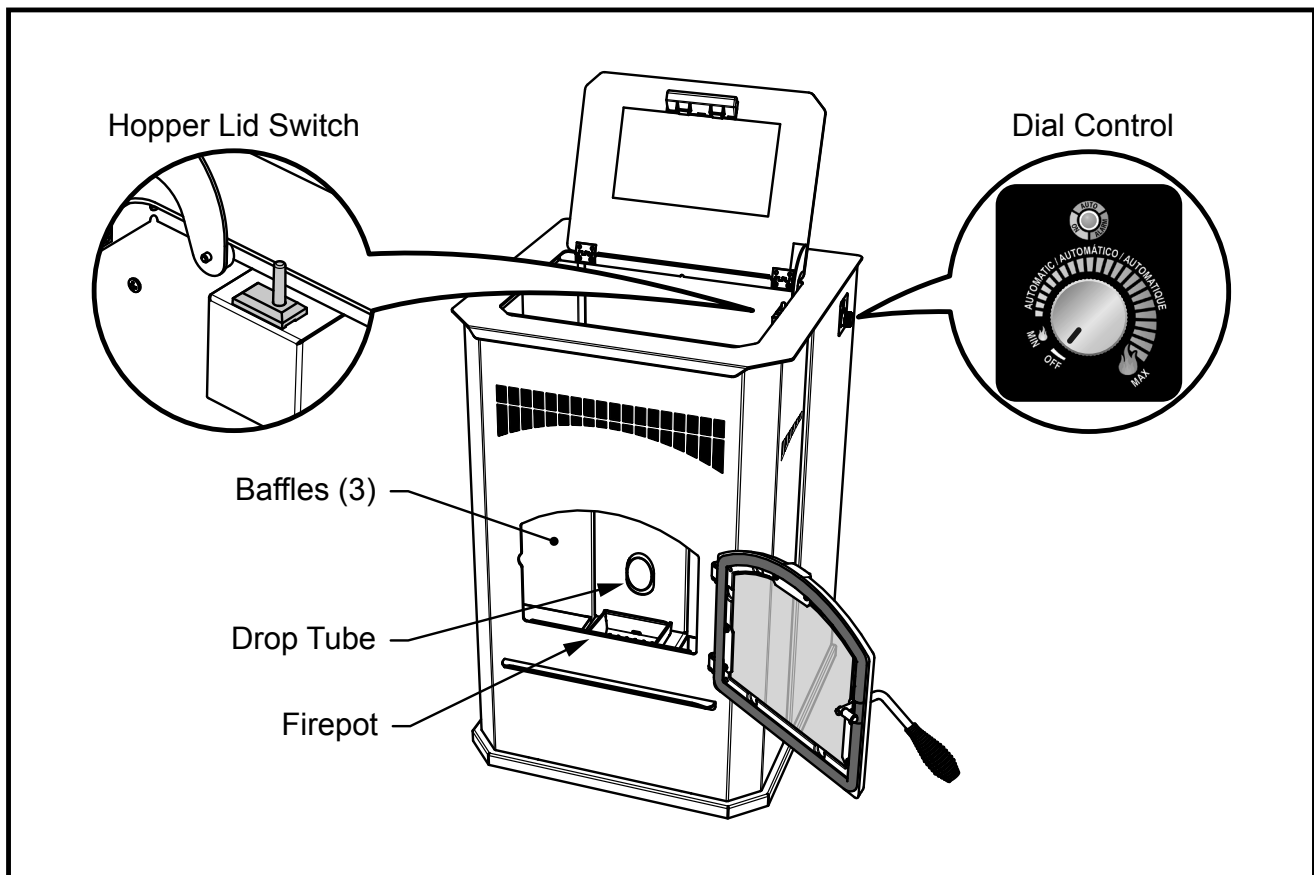
- **DO NOT** touch glass until it is cooled
- NEVER allow children to touch glass
- Keep children away
- CAREFULLY SUPERVISE children in same room as appliance.
- Alert children and adults to hazards of high temperatures.

### High temperatures may ignite clothing or other flammable materials.

- Keep clothing, furniture, draperies and other flammable materials away.

**NOTICE:** If you expect that children may come into contact with this appliance, we recommend a barrier such as a decorative screen. See your retailer for suggestions.

## H. Your Pellet Appliance - General Operating Parts



# 3 User Guide: General Operating Information

## I. LED Color Coding Chart and Explanation

LED Color	Number of Flashes between pauses	Description	Notes
Green	Steady ON while priming feed tube (max time 2 minutes)	Feed Motor is running continuously. (This primes the feed tube).	When priming the feed system and filling the firepot, <b>DO NOT OVERFILL FIREPOT FOR IGNITION</b> . The unit will automatically go into start up following the prime function.
Green	Steady ON while burning	Room temperature is close to set point and burning on lowest burnt rate.	
Green	1x	Unit is off and ready.	To start appliance, follow start up sequence.
Green	Blinks Continuously	Appliance is in the start up/ignition sequence or in shutdown.	During shut down, the blowers will shut off when the exhaust temperature has cooled.
Green	Varies	When in the automatic mode, the number of flashes between pauses indicates the burn rate (1 for low up to 5 for high).	Adjust the dial control to change the desired room temperature.
Amber	Steady ON	Appliance is set and running at either the minimum or maximum power levels.	The unit will shut off only when the hopper runs out of fuel, the user changes the dial control to a different state, or the unit senses an error.
Amber	Blinks Continuously	Appliance is in the in shutdown sequence.	During shut down, the blowers will shut off when the exhaust temperature has cooled.
Red	1x	Empty Hopper Alarm	This alarm is caused by the fire going out from lack of fuel. See troubleshooting section for more information.
Red	2x	Exhaust Probe Alarm	Failed component error. See troubleshooting section for more information.
Red	3x	Ambient Probe Alarm	Failed component error. See troubleshooting section for more information.
Red	4x	Missed Ignition	There are a total of 2 tries per ignition sequence. If after 2 tries there is no rise in exhaust temperature this error will occur. See the troubleshooting section for additional information and correction.
Red	8x	Exhaust Gas Over Temperature Alarm	The exhaust temperature exceed the allowable limit. See the troubleshooting section for more information and correction.

### **WARNING**



#### Fire Risk

Do NOT operate appliance:

- With appliance door open.
- Firepot floor open.

Do NOT store fuel:

- Closer than required clearances to combustibles to appliance
- Within space required for loading or ash removal.

# 3 User Guide: General Operating Information

## J. Ignition Cycles

1. At the beginning of each ignition cycle, it is normal to see some smoke in the firebox. The smoke will stop once the fire starts.
2. The convection blower will automatically turn on after your appliance has been burning for approximately 10 minutes.

This blower transfers heat from your appliance into the room, and will continue to run even after the unit has shutdown. It will turn off after the exhaust temperature has cooled.

3. Occasionally the appliance may run out of fuel and shut itself down. When this happens the empty hopper alarm will be triggered.

## K. Running in Minimum or Maximum

When the dial control is set to run on the minimum or maximum setting, the appliance will continue to run without regard to the actual temperature in the room. The appliance will shut off only if the dial control is set to a different setting or there is an error such as an empty hopper.

When running on minimum or maximum it is important to follow the daily cleaning activities especially cleaning the firepot. Failure to do so will reduce the performance of the appliance.

## L. Running in the Automatic Mode

When the dial control is set to run in the automatic mode the unit will adjust the actual burn rate based on the difference between the room temperature as sensed by the probe located in the rear of the unit and the desired comfort level as set on the dial control.

The comfort level range is from 65 degrees Fahrenheit to 82 degrees Fahrenheit.

Once the desired comfort level is achieved the appliance will automatically shut down and turn off. When the temperature in the room drops 3 degrees below the desired comfort level, the appliance will automatically restart.



## M. Clear Space

**WARNING! RISK OF FIRE!** Do NOT place combustible objects in front or to the sides of the appliance. High temperatures may ignite clothing, furniture or draperies.

**Mantel:** Avoid placing candles and other heat-sensitive objects on mantel or hearth. Heat may damage these objects.

**NOTICE:** Clearances may only be reduced by means approved by the regulatory authority having jurisdiction.

**WARNING! RISK OF FIRE!** Keep combustible materials, gasoline and other flammable vapors and liquids clear of appliance.

- Do NOT store flammable materials in the appliance's vicinity.
- Do NOT use gasoline, lantern fuel, kerosene, charcoal lighter fluid or similar liquids to start or "freshen up" a fire in this heater.

Keep all such liquids well away from the heater while it is in use as combustible materials may ignite.

## N. Trim Adjustment

The small dial located below the main dial control is used to adjust the amount of combustion air for the fire. You may need to adjust the combustion air to the fire for:


- Elevation
- Venting/Installation Configurations
- Fuel Quality

If your fire is too large, lazy, or producing black soot, you need MORE air. To increase the amount of combustion air, rotate counterclockwise one level at a time and allow 15 minutes for stabilization prior to making another adjustment. If your fire is too small and sometimes goes out when there are pellets in the hopper, you may have too much air (too lean). To decrease the amount of combustion air, rotate clockwise one level at a time and allow 15 minutes for stabilization prior to making another adjustment.



# 4 Maintaining & Servicing Your Appliance

## A. Proper Shutdown Procedure

<b>⚠ CAUTION</b>	
	<p><b>Shock and Smoke Hazard</b></p> <ul style="list-style-type: none"> <li>• Turn dial control to OFF, let appliance completely cool and exhaust blower must be off. Now you can unplug appliance before servicing.</li> <li>• Smoke spillage into room can occur if appliance is not cool before unplugging.</li> <li>• Risk of shock if appliance not unplugged before servicing appliance.</li> </ul>

**Follow the detailed instructions found in this section for each step listed as referenced in the chart below.**

## B. Quick Reference Maintenance Chart

Cleaning or Inspection	Frequency		Daily	Weekly	Monthly	Yearly
Firepot	Every 3 bags of fuel	OR	X			
Ash Removal from Firebox	Every 5 bags of fuel or more frequently depending on ash build-up	OR		X		
Glass	When clear view of firepot becomes obscure	OR		X		
Hopper	Every 25 bags of fuel	OR			X	
Exhaust Path, Drop Tube and Behind Baffles	Every 25 bags or more frequently depending on ash build-up	OR			X	
Door Handle & Gasket Inspection	Prior to heating season	OR			X	
Blower, Convection	Every 25 bags or more frequently depending on operating environment.	OR			X	
Blower, Exhaust	More frequently depending on the fuel type	OR				X
Firebox - Prepare for Non-Burn Season	At end of heating season	OR				X
Venting System	Every 3 tons or more frequently depending on the fuel type	OR				X

**NOTICE:** These are recommendations. Clean more frequently if you encounter heavy build-up of ash at the recommended interval or you see soot coming from the vent. **Not properly cleaning your appliance on a regular basis will void your warranty.**

# 4 Maintaining & Servicing Your Appliance

## C. General Maintenance

### 1. Types of Fuel

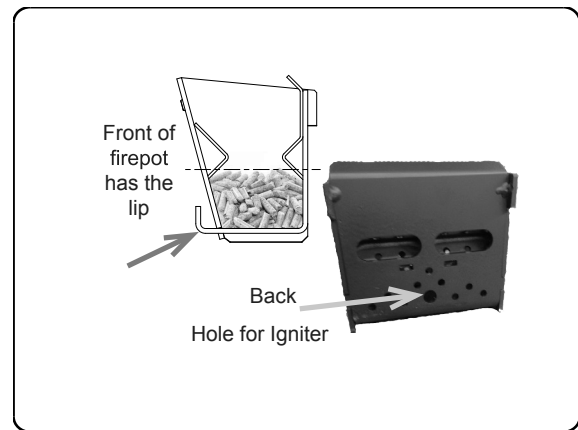
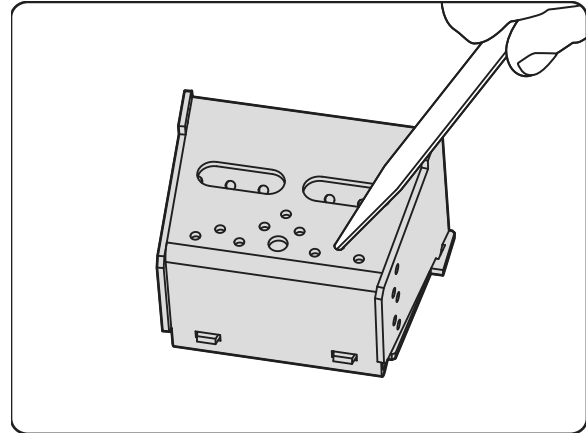
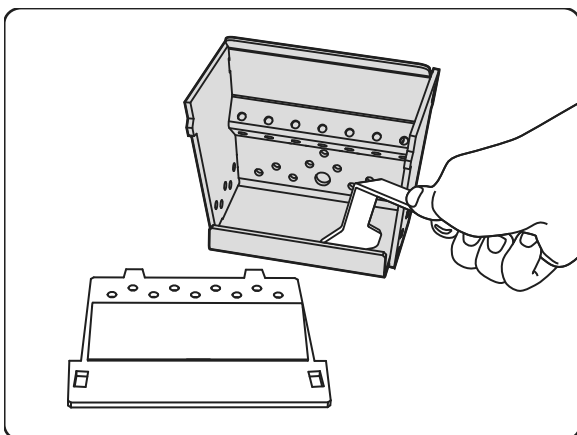
The type of fuel you are burning will dictate how often you have to clean your firepot.

If the fuel you are burning has a high dirt or ash content, it may be necessary to clean the firepot more than once a day.

Poor quality fuel will cause clinkers to form in the firepot. A clinker is formed when dirt, ash or a non-burnable substance is heated to 2000°F (1093°C) and becomes glass-like. See section D following for more details on fuels with high ash content.

### 2. Cleaning Firepot with the Firepot Clean-Out Tool:

- **Frequency:** Daily or more often as needed
  - **By:** Homeowner
- a. The appliance must be in complete shutdown and cool and the exhaust blower off. If you are just cleaning the firepot, there is no need to unplug the appliance.
  - b. Open the front door of the appliance and lift out the firepot. Use the firepot cleaning tool to break up deposits inside the firepot and dispose in an approved container. Depending on the quality of fuel used, the front of the firepot may need to be removed for better access for cleaning.
  - c. Use the narrow end of the firepot cleaning tool to clean the holes.
  - d. With the firepot out clean the area below the firepot.
  - e. Reassemble the firepot and place back inside the firepot riser. Make sure the firepot is in the correct direction with the slanted lip in the rear. Failure to install the firepot correctly may result in missed ignitions.



### 3. Ash Removal from Firebox

- **Frequency:** Weekly or more frequently depending on ash build-up.
  - **By:** Homeowner
- a. There must not be any hot ashes in the firebox during cleaning so allow the appliance to completely cool. The firebox ash should be removed every time the exhaust path is cleaned. Frequent cleaning of the ash in the firebox will help slow down the build-up of ash in the exhaust blower and vent system.
  - b. Vacuum out the firebox thoroughly on both sides of the firebox and the floor and ceiling. Remember to place the ash and debris into a metal or non-combustible container. **See Disposal of Ashes.**



# 4 Maintaining & Servicing Your Appliance

## 4. Disposal of Ashes

- **Frequency:** As needed
- **By:** Homeowner

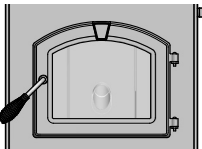
Ashes should be placed in a metal container with a tight-fitting lid. The closed container of ashes should be placed on a non-combustible floor or on the ground, well away from all combustible materials, pending final disposal.

If the ashes are disposed of by burial in soil or otherwise locally dispersed, they should be retained in the closed container until all cinders have been thoroughly cooled.

 <b>WARNING</b>	
	Disposal of Ashes
	<ul style="list-style-type: none"><li>• Ashes should be placed in metal container with tight fitting lid.</li><li>• Ashes should be retained in closed container until all cinders have thoroughly cooled.</li></ul>

## 6. Cleaning the Glass

- **Frequency:** When clear view of the firepot becomes obscure
  - **By:** Homeowner
- a. Appliance must be completely cool before cleaning glass.
  - b. Vacuum fly ash from glass and door rope.
  - c. Use a damp paper towel or any non-abrasive glass cleaner. Wipe off with dry towel.

<b>CAUTION</b>	
	Handle glass assembly with care.
	<b>When cleaning glass:</b> <ul style="list-style-type: none"><li>• Avoid striking, scratching or slamming glass.</li></ul>
<ul style="list-style-type: none"><li>• Do NOT clean glass when hot.</li><li>• Do NOT use abrasive cleaners.</li><li>• Refer to maintenance instructions.</li><li>• Do NOT operate with glass cracked, broken or scratched.</li></ul>	

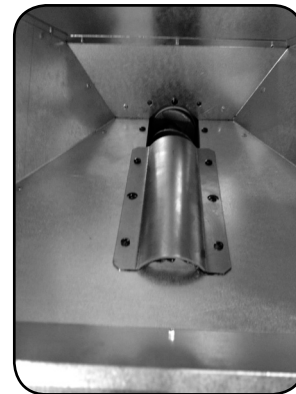
## 7. Cleaning the Hopper

- **Frequency:** Monthly or after burning 25 bags of fuel
- **By:** Homeowner

After burning approximately 25 bags of fuel you will need to clean the hopper to prevent sawdust build-up.

A combination of sawdust and pellets on the bottom end of the auger reduces the amount of fuel supply to the firepot. This can result in nuisance shutdowns and mis-starts.

- a. The appliance must be in complete shutdown. Allow the appliance to completely run out of pellets and cool down.
- b. Empty the hopper of any remaining pellets.
- c. Vacuum the hopper and feed tube. To access the feed tube remove the four screws from the auger cover located inside of the hopper.



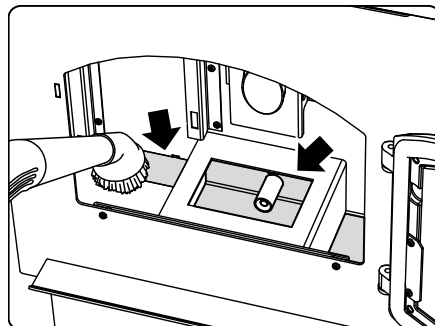
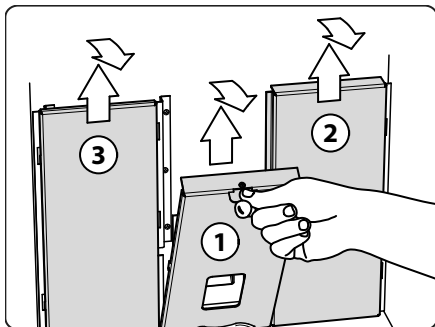
# 4 Maintaining & Servicing Your Appliance

## 8. Cleaning the Exhaust Path, Baffles & Drop Tube

- **Frequency:** Monthly or every 25 bags or more frequently depending on ash build-up.
  - **By:** Homeowner
- a. Appliance must be completely cool.
  - b. Open the door and remove the center baffle first and then the right and left baffles. Thoroughly vacuum the exhaust path and drop tube and continue throughout the rest of the firebox. Also vacuum the front and back of the baffles.
  - c. Using a small brush, clean the inner walls of the exhaust outlet from the access hole inside the firebox. The access hole will be visible following the removal of the left side baffle. After loosening up debris on the inner walls of the outlet, vacuum out.

**This is important as the exhaust temperature probe is attached to the right side of the outlet. If this is not maintained on a regular basis, the appliance will experience nuisance shut downs and/or missed ignitions.**

- d. Replace the right and left baffles and then the center baffle and close and latch the door.



## 9. Door Handle Inspection

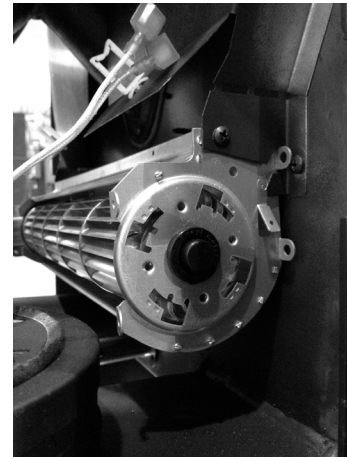
- **Frequency:** Monthly or prior to heating season
- **By:** Homeowner

The gasket between the glass and firebox should be inspected periodically to make sure there is a good seal.

**NOTE: GHP recommends using a heavy duty vacuum cleaner specifically designed for solid fuel appliance cleaning.**

## 10. Cleaning Convection Blower - Requires No Lubrication

- **Frequency:** Monthly depending on Dust/Dirt build-up
  - **By:** Homeowner or Qualified Service Technician
- a. Be sure the appliance is allowed to cool and has been unplugged.
  - b. Remove the right side panel.
  - c. Sweep or vacuum out any build-up on the impellers. Use a brush or compressed air to loosen dirt if needed. Avoid damaging the impellers.





# 4 Maintaining & Servicing Your Appliance

## 11. Cleaning Exhaust Blower - Requires No Lubrication

- **Frequency:** Yearly or more frequently depending on ash build-up
- **By:** Homeowner or Qualified Service Technician
  - a. Be sure the appliance is allowed to cool, has been unplugged and the exhaust blower is off.
  - b. Remove the left side panel.
  - c. Remove the six screws holding the exhaust blower motor to the housing and remove the motor. Using caution as to not damage the gasket when removing the blower. If damage occurs, install a new gasket available as a replacement part.
  - d. Vacuum the blower's impellers. Use care not to bend or damage the blower fins.
  - e. Using a brush or vacuum attachment, clean the inside of the exhaust outlet.
  - f. Reattach the motor. Make sure the wires are attached to the terminals on the blower.



## 12. Preparing Firebox for Non-Burn Season

- **Frequency:** Yearly
- **By:** Homeowner
  - a. Be sure the appliance is allowed to cool, has been unplugged and the exhaust blower is off.
  - b. Remove all ash from the firebox and vacuum thoroughly.
  - c. Paint all exposed steel, including cast-iron.
    - Purchase high temperature paint from your local retailer.
    - Must use a high-temperature paint made specifically for heating appliances.

## 13. Soot and Fly Ash: Formation & Need for Removal in Exhaust Venting System.

- **Frequency:** Yearly or more frequently depending on ash build-up.
- **By:** Qualified Service Technician/Homeowner

Be sure the appliance is allowed to cool, has been unplugged and the exhaust blower is off.

The products of combustion will contain small particles of fly ash. The fly ash will collect in the exhaust venting system and restrict the flow of the flue gases.

At start-up if there is incomplete combustion, or if there is a shutdown or incorrect operation of the appliance it will lead to some soot formation. This will collect in the exhaust venting system.

The venting (chimney) system may need to be cleaned at least once a year or more often depending upon the quality of your fuel or if there are any horizontal pipe sections. Ash will build up more quickly in the horizontal sections and elbows.

# 4 Maintaining & Servicing Your Appliance

## D. High Ash Fuel Content Maintenance

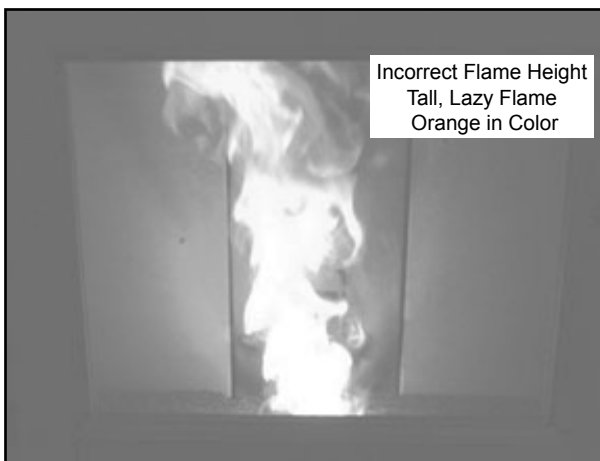
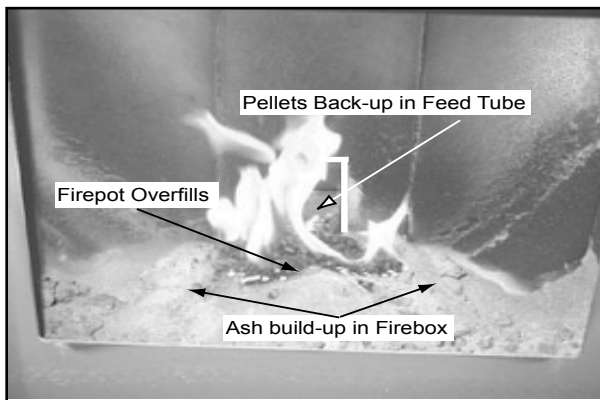
- **Frequency:** As needed
- **By:** Homeowner

Poor quality pellet fuel, lack of maintenance, or if the small dial control is set to a less than optimum setting, poor combustion conditions that make the firepot fill quickly with ashes and clinkers.

This condition makes the appliance susceptible to overfilling the firepot with pellets which may result in smoking, soot-ing and possible hopper fires. The figure below shows an example where the firepot overfills, pellets back up into the feed tube and ash has accumulated in the firebox.

An inefficient and non-economical method of burning of fuel caused by poor quality pellet fuel is shown below.

If the ash buildup exceeds the half way point in the firepot **IMMEDIATE ATTENTION AND CLEANING IS REQUIRED.**



# 4 **Maintaining & Servicing Your Appliance**

---

## **E. Frequently Asked Questions**

### **What causes my glass to become dirty?**

If the glass has white ash build up it is normal and the glass should be cleaned. If it is a black soot build up airflow through the unit may be restricted. The most often cause is overdue maintenance and cleaning. See "Maintaining and Servicing Appliance" in the owner's manual and/or make adjustments to the trim control.

### **How can I get more heat out of the appliance?**

The most often cause of diminished heat output is overdue maintenance and cleaning. See "Maintaining and Servicing Appliance" in the owner's manual.

### **What should I do if I smell smoke or there is ash/soot coming from the appliance?**

While there will always be some smoke smell from wood burning appliances (including pellet) you should investigate all venting to make sure it is sealed properly. Most venting requires silicone to seal the seams. In addition most homes are built very tight today and with exhaust systems can create negative pressure in the home. See "Negative Pressure" under "Getting Started" in the owner's manual if you have checked the venting but still have smoke coming from the appliance. For ash or soot check the above and the exhaust blower housing and seals.

### **Why would my appliance run fine last winter but not start this fall?**

It is possible that the stove was not properly prepared for the Non-burn season. See "Troubleshooting" in the owner's manual.

### **Why would the metal on the inside of the appliance begin to flake?**

There are some pellet mills that get their raw materials from lumber mills that purchase logs that are transported in sea water. These pellets can have a higher salt content and cause the metals in the unit to corrode prematurely and deteriorate. If you are seeing any components inside the firebox deteriorate it is recommended to change pellet brands immediately.

### **Is there a place to lubricate the blowers to quiet them down?**

The most often cause of noisy blowers is from the impellers becoming dirty over time. See "General Maintenance & Cleaning" under "Maintaining & Servicing Appliance" in the owner's manual. No form of lubrication should ever need applied to the blowers.

### **What is the metal object with the bend in it for that came inside the plastic bag?**

It is a clean-out tool used to help clean the firepot and remove any jams in the rare event they occur in the feed tube.

### **Why is there a black residue building up on the outside of my home?**

Wind can cause this to happen. If the appliance is operating correctly very little soot should ever exit the termination cap. Also check to be sure the venting is installed per the owner's manual and local codes.

### **Do I need an outside air kit?**

Outside air is required for mobile home installs and in some jurisdictions. Refer to "Listing & Code Approvals", "Mobile Home Installation" and "Appliance Set-up" owner's manual. Also refer to local building codes.

### **I am seeing sparks coming out of my pipe (termination cap) outside is this safe?**

This is normal. As long as clearances to combustibles were followed this is safe.

### **I have no power to anything. Does this unit have a circuit breaker or fuse or a reset button?**

This unit has one serviceable fuse on the control board and a resettable snap switch mounted to the feed tube.

### **Can I burn corn in my unit?**

NO, corn is not an approved fuel.

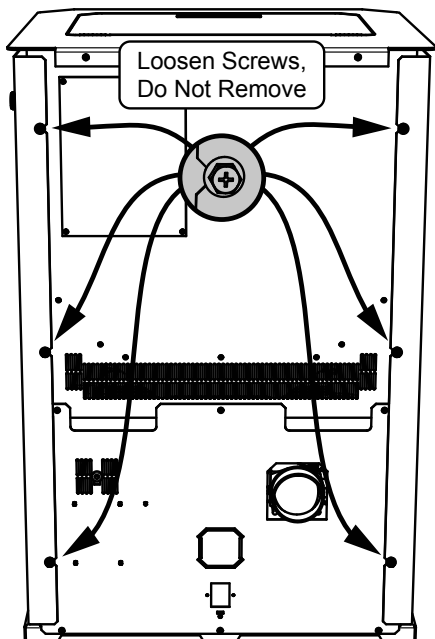
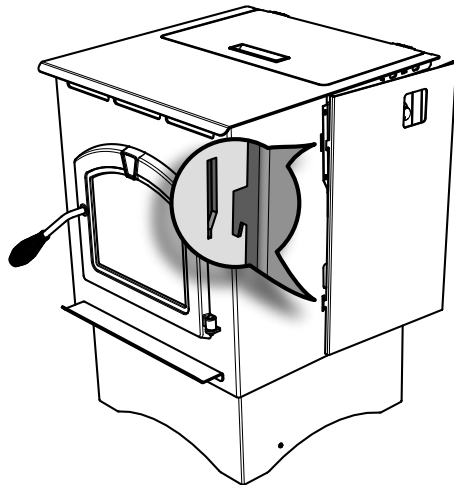
### **Where is the serial # of my unit is located?**

The serial # is located on the back of the stove.

# 5 Replacement Parts

## A. Convection Blower Replacement

1. Turn the dial control to the off position. Unplug the power to the unit.
2. The convection blower is located in the rear of the unit.
3. Using #2 Phillips screwdriver, loosen the bolts on the rear of the unit holding on the side panels. You do not need to remove the screws. Remove side panels by lifting up and out.
4. Unplug the wires from the convection blower motor from the right side of the unit.
5. Remove the two screws holding the convection blower housing to the sheet metal plenum. Using a slight twisting motion, rotate the blower back and it will release.



## B. Exhaust Blower Replacement

1. Turn the dial control to the off position. Unplug the power to the unit.
2. Remove the left side panel by loosening the two or three bolts in the rear of the unit.
3. Disconnect 2 white wires from the white and blue wires of the exhaust blower.
4. Remove the blower motor attached to a removable plate on the exhaust blower. Depending on the model, use a 1/4 inch socket, or 1/4 inch Nut Driver or #2 Phillips Head screw driver to loosen the 6 screws in the keyhole shaped holes and rotate the plate. It is only necessary to loosen screws.
5. Remove the exhaust blower and gasket.
6. Check for degradation on the gasket and replace if necessary using the gasket included in the kit.
7. Re-install in reverse order.

# 5 Replacement Parts

## C. Snap Disc Replacement

### Power - Manual Reset

1. Turn the dial control to the off position. Unplug the power to the unit.
2. Using #2 Phillips screwdriver, loosen the bolts on the rear of the unit holding on the left side panel. You do not need to remove the screws. Remove side panels by lifting up and out.
3. Locate the snap disk on the top side of the feed tube where it meets the hopper. Disconnect the wire leads from the snap disk.
4. Using a #1 Phillips screwdriver, remove two 6-32 fasteners retaining the snap disk onto the side of the feed tube.
5. Using the same fasteners, attach the new snap disk. Attach the wire leads.
6. Restore power.



## D. Igniter Replacement

1. Turn the dial control to the off position. Unplug the power to the unit.
2. Unplug the wire leads to the igniter.
3. Remove the screw in the side of the igniter chamber. Pinch the ends of the bracket together and pull the igniter straight out of the igniter chamber.
4. If there is difficulty in removing the igniter from the chamber, the chamber can be removed from the rear of the firebox by removing the the 1/4-20 bolt.
5. Re-install the new igniter into the chamber using the bracket.
6. Inspect the igniter from the front of the unit by removing the firepot and looking into the end of the chamber. **MAKE SURE THE IGNITER IS CENTERED IN THE CHAMBER.**



## E. Baffle Removal & Replacement

1. Turn the dial control to the off position. Make sure the unit is cool.
2. Remove the center baffle first by using the handle at the top of the baffle and pull up and then towards you. The hooks on the baffle will slide out of the slots in the bracket.
3. Remove the left baffle and then the right baffle by pulling up and then towards you. The left and right baffles have similar hooks and slots.

# 5 Replacement Parts

## F. Glass Replacement

 <b>WARNING</b>	
	<ul style="list-style-type: none"><li>• Glass is 5mm thick high temperature heat-resistant ceramic glass.</li><li>• DO NOT REPLACE with any other material.</li><li>• Alternate material may shatter and cause injury.</li></ul>

1. Open the door from the appliance by lifting door off of hinge pins and lay on a flat surface face down.
2. Using a Phillips Head screw driver, remove the 3 brackets and set aside.
3. Remove old glass and replace with the new glass.
4. Re-install the brackets using the same screws.

## G. Control Board Replacement

1. Turn the dial control to the off position. Unplug the power to the unit.
2. Unplug the wires from the control board. The connectors are locking connectors. Pinch the release tab on each connector and gently tug and rock loose.
3. Pinch the 4 plastic pins from the rear of the unit to release the control board connectors.
4. Install new board following the steps in reverse.



## H. Fuse Replacement

1. Turn the dial control to the off position. Unplug the power to the unit.
2. Pull the plastic fuse holder cover off the control board.
3. Replace fuse with 5AMP 120VAC fuse only.
4. Replace the cover on the fuse holder and restart unit.

## I. Feed Motor Replacement

1. Turn the dial control to the off position and unplug the unit. Remove the right side panel and feed motor cover plate in the rear of the unit.
2. Unplug the connector from the feed motor.
3. Using pliers, remove the cotter pin.
4. Remove the feed motor from the feed shaft.
5. Reinstall the new feed motor by aligning the clearance hole in the feed motor shaft with the auger spring shaft.
6. Plug the feed motor leads back in and restore power.



## J. Feed Spring Replacement

1. Empty the hopper of all pellets. then follow the steps to remove the feed motor above.
2. Remove the four screws holding the feed motor bracket on.
3. Slide the auger assembly out from the bottom in the rear of the unit.
4. Inspect the bronze bearings, replace if needed.
5. Install new spring assembly following reverse steps including reattaching the feed motor.



# 6 Getting Started

## A. Design, Installation & Location Considerations

**NOTICE:** Check building codes prior to installation.

- Installation **MUST** comply with local, regional, state and national codes and regulations.
- Consult insurance carrier, local building inspector, fire officials or authorities having jurisdiction over restrictions, installation inspection and permits.

Since pellet exhaust can contain ash, soot or sparks, you must consider the location of:

- Windows
- Air Intakes
- Air Conditioner
- Overhang, soffits, porch roofs, adjacent walls
- Landscaping, vegetation

When locating vent and venting termination, vent above roof line when possible.

**Notice:** Locating the appliance in a location of considerable air movement can cause intermittent smoke spillage from appliance. Do not locate appliance near:

- Frequently open doors
- Central heat outlets or returns

## B. Draft

Draft is the pressure difference needed to vent appliances successfully. When an appliance is drafting successfully, all combustion by products are exiting the home through the chimney.

Considerations for successful draft include:

- Preventing negative pressure
- Location of appliance and chimney

To measure the draft or negative pressure on your appliance use a magnehelic or a digital pressure gauge capable of reading 0 - .25 inches of water column (W.C.).

The appliance should be running on high for at least 15 minutes for the test.

With the stove running on high you should have a negative pressure equal to or greater than the number given in the chart. If you have a lower reading than you find on the chart, your stove does not have adequate draft to burn the fuel properly.

MODEL	Minimum Vacuum Requirements
PH35PS	0.17 inches W.C.
PH50PS	0.17 inches W.C.
PH50CAB	0.17 inches W.C.

## B. Draft (Cont'd)

Correct low draft or low vacuum problems by doing one of the following:

- Thoroughly clean the exhaust path and venting. See Maintenance Section.
- Inspect for worn or broken gaskets. Repair any gaskets suspected of leaking, or adjust the trim.

**Notice:** GHP assumes no responsibility for the improper performance of the chimney system caused by:

- Inadequate draft due to environmental conditions
- Downdrafts
- Tight sealing construction of the structure
- Mechanical exhausting devices

## C. Negative Pressure

**WARNING! Risk of Asphyxiation!** Negative pressure can cause spillage of combustion fumes and soot.

Negative pressure results from the imbalance of air available for the appliance to operate properly. It can be strongest in lower levels of the house.

Causes include:

- Exhaust fans (kitchen, bath, etc.)
- Range hoods
- Combustion air requirements for furnaces, water heaters and other combustion appliances
- Clothes dryers
- Location of return-air vents to furnace or air conditioning
- Imbalances of the HVAC air handling system
- Upper level air leaks such as:
  - Recessed lighting
  - Attic hatch or open windows
  - Duct leaks

To minimize the effects of negative air pressure:

- Install the outside air kit with the intake facing prevailing winds during the heating season
- Ensure adequate outdoor air for all combustion appliances and exhaust equipment
- Ensure furnace and air conditioning return vents are not located in the immediate vicinity of the appliance
- Avoid installing the appliance near doors, walkways or small isolated spaces
- Recessed lighting should be a “sealed can” design
- Attic hatches weather stripped or sealed
- Attic mounted duct work and air handler joints and seams taped or sealed

# 6 Getting Started

## D. Locating Your Appliance & Chimney

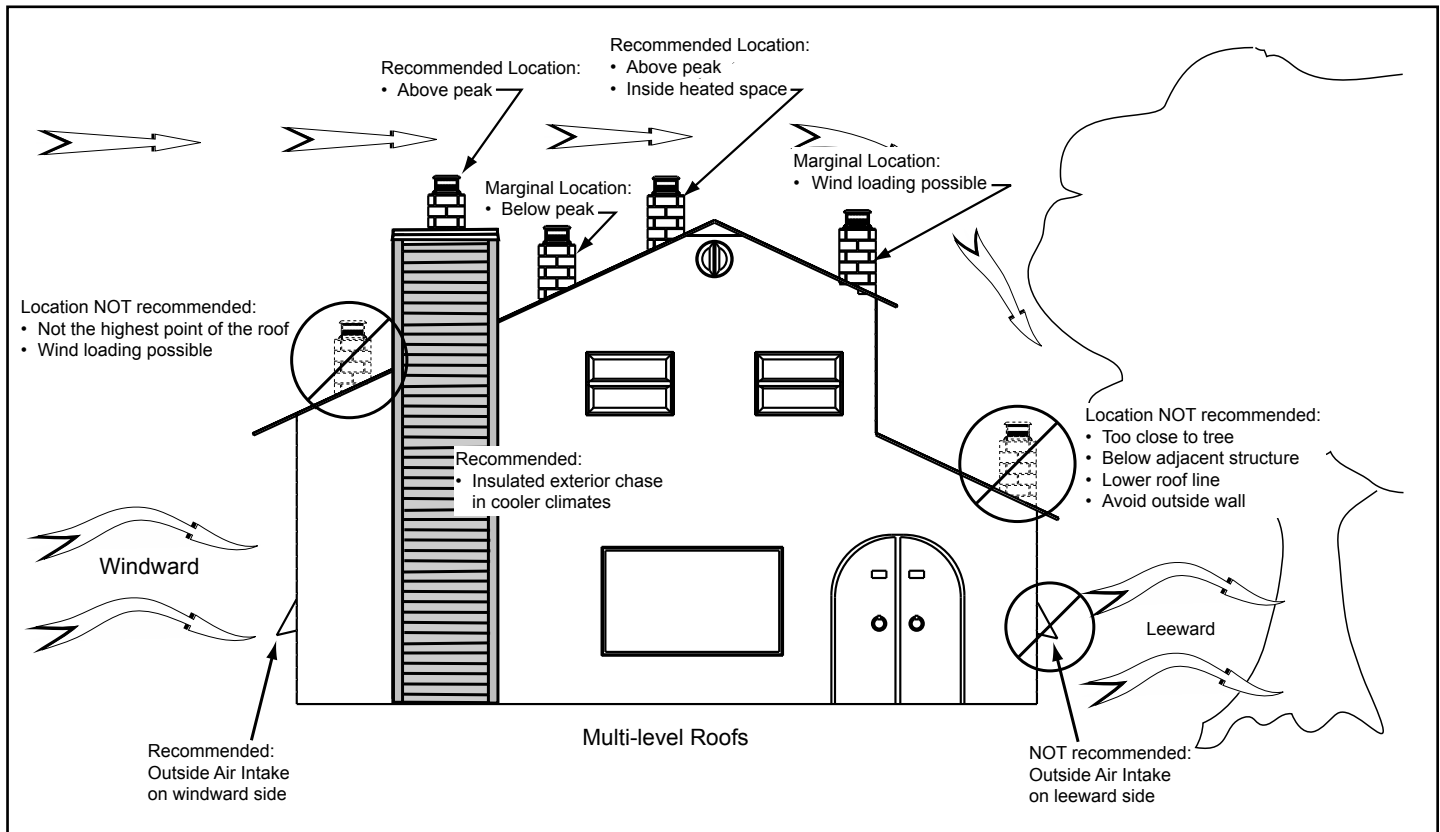
Location of the appliance and chimney will affect performance.

- Install through the warm airspace enclosed by the building envelope. This helps to produce more draft, especially during lighting and die-down of the fire.
- Penetrate the highest part of the roof. This minimizes the affects of wind loading.
- Locate termination cap away from trees, adjacent structures, uneven roof lines and other obstructions.
- Minimize the use of chimney offsets.
- Consider the appliance location relative to floor and ceiling and attic joists.
- Take into consideration the termination requirements.

## F. Tools And Supplies Needed

**Tools and building supplies normally required for installation, unless installing into an existing masonry fireplace:**

Reciprocating Saw	Gloves
Channel Locks	Safety Glasses
Hammer	Framing Square
Phillips Screwdriver	Electric Drill & Bits (1/4")
Tape Measure	1/4" Self-Tapping Screws
Plumb Line	
Level	<u>May also need:</u>
Framing Material	Vent Support Straps
Non-combustible Sealant Material	Venting Paint



## E. Inspect Appliance & Components

- Remove appliance and components from packaging and inspect for damage.
- Report to your dealer any parts damaged in shipment.
- **Read all the instructions before starting the installation. Follow these instructions carefully during the installation to ensure maximum safety and benefit.**

### **WARNING**

Inspect appliance and components for damage. Damaged parts may impair safe operation.



- Do NOT install damaged components.
- Do NOT install incomplete components.
- Do NOT install substitute components.

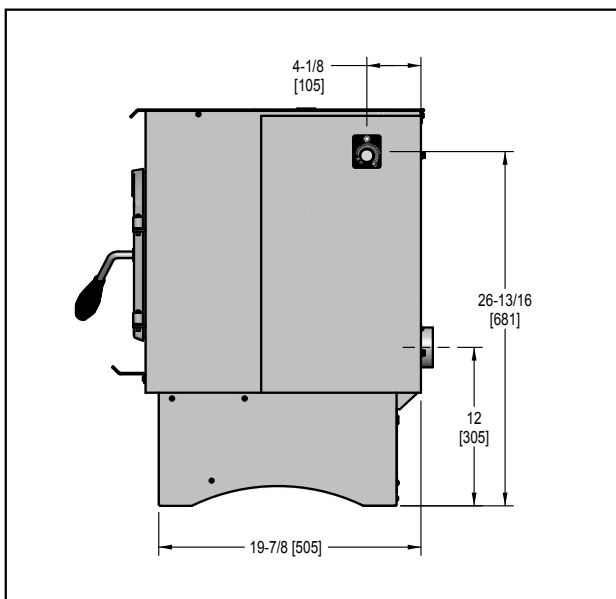
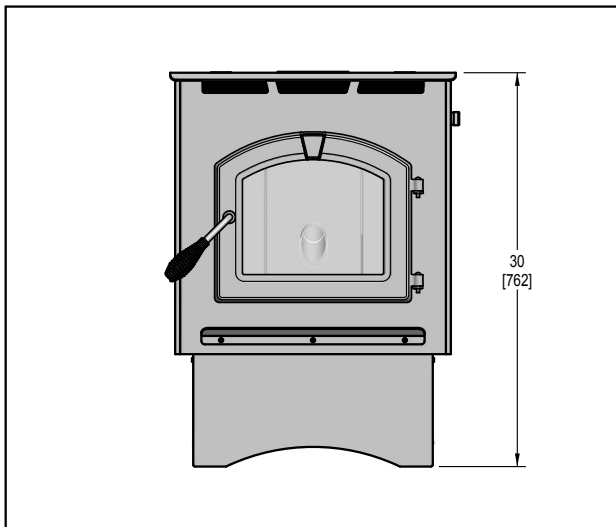
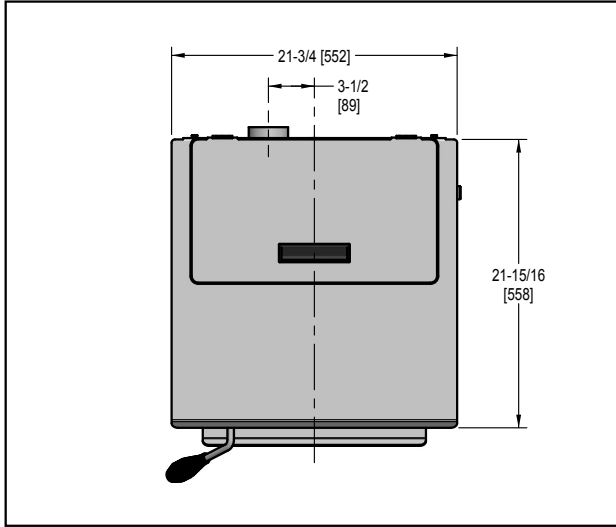
Report damaged parts to dealer.



# 7 Dimensions & Clearances

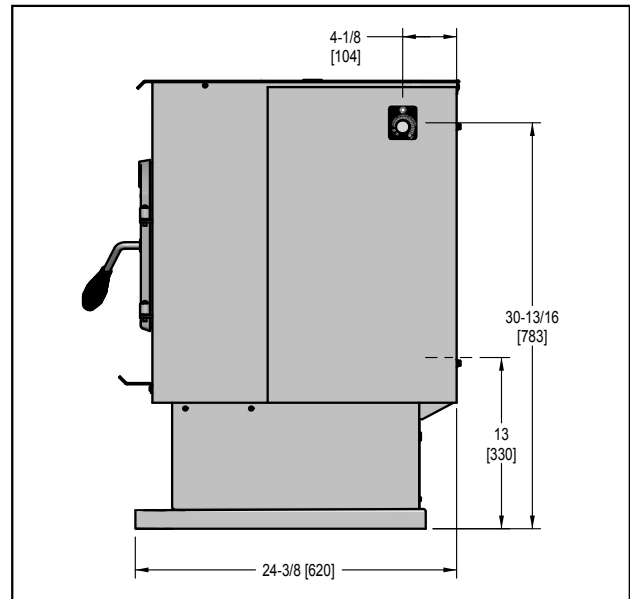
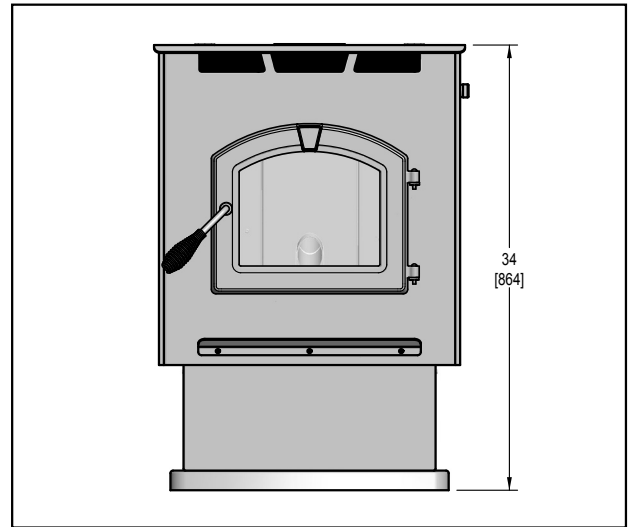
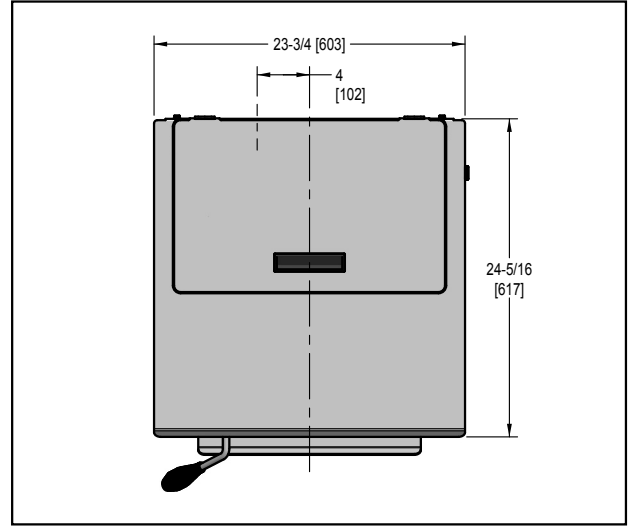
## MODEL: PH35PS

### A. Appliance Dimensions: PH35PS



## MODEL: PH50PS

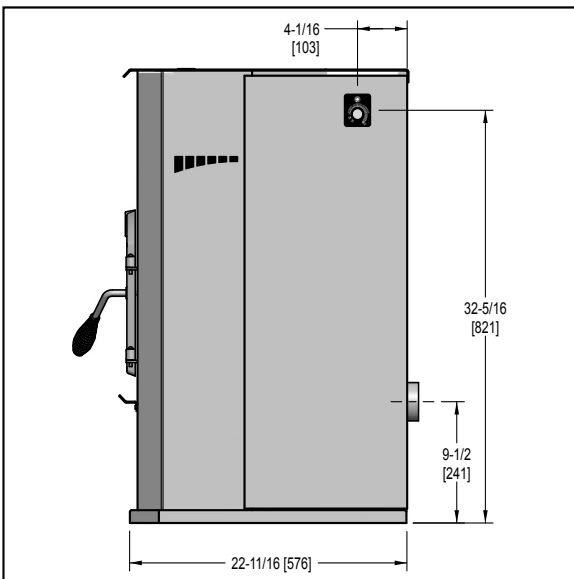
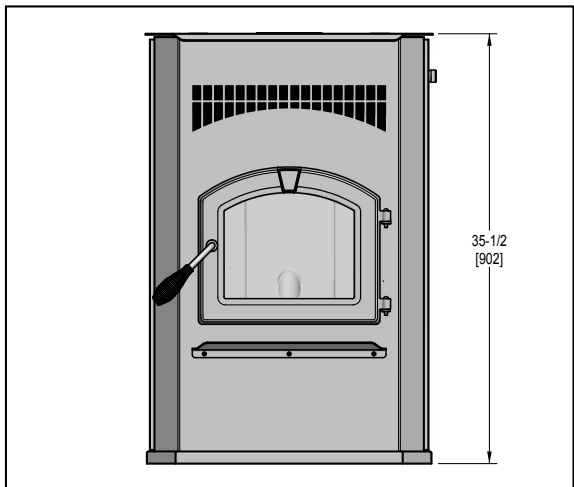
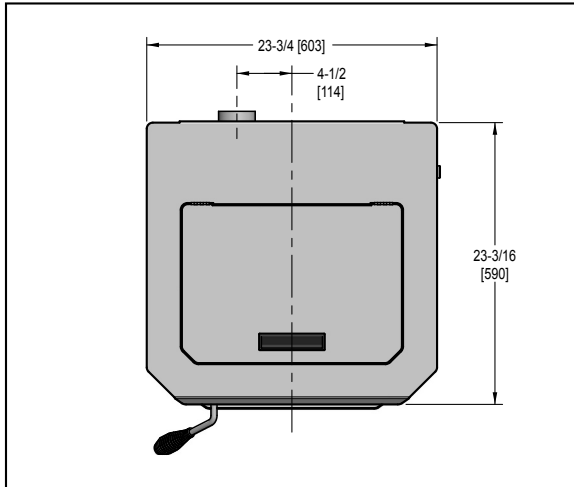
### B. Appliance Dimensions: PH50PS



# 7 Dimensions & Clearances

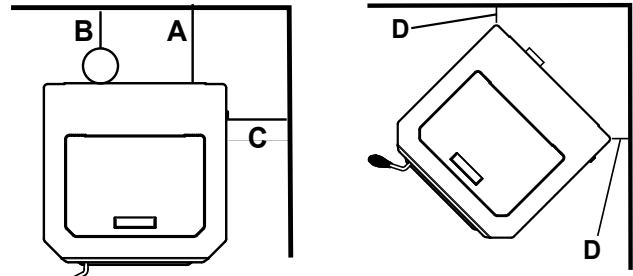
## MODEL: PH50CAB

### C. Appliance Dimensions: PH50CAB



Turn to pages 26, 27 and 28 for side views and more detailed images of clearances and installation types.

### D. Clearances to Combustibles (UL and ULC)



Vertical Installations (Interior Flue)			
Straight Back Against Wall		Inches	Millimeters
<b>A</b>	Back Wall to Appliance	2	51
<b>B</b>	Back Wall to Flue Pipe	3	76
<b>C</b>	Side Wall to Appliance	13	330

Corner Installation		Inches	Millimeters
<b>D</b>	Walls to Appliance	3	76

Horizontal Flue Installations			
Straight Back Against Wall		Inches	Millimeters
<b>A</b>	Back Wall to Appliance	2	51
<b>B</b>	Back Wall to Flue Pipe	3	76
<b>C</b>	Side Wall to Appliance	13	330

\* Follow pipe manufacture listed clearance

**⚠ CAUTION**

- DO NOT CONNECT THIS UNIT TO A CHIMNEY FLUE SERVICING ANOTHER APPLIANCE.
- DO NOT CONNECT TO ANY AIR DISTRIBUTION DUCT OR SYSTEM.

**⚠ WARNING**

**HOT SURFACES!**

Glass and other surfaces are hot during operation AND cool down.

**Hot glass will cause burns.**

- Do not touch glass until it is cooled
- NEVER allow children to touch glass
- Keep children away
- CAREFULLY SUPERVISE children in same room as fireplace.
- Alert children and adults to hazards of high temperatures.

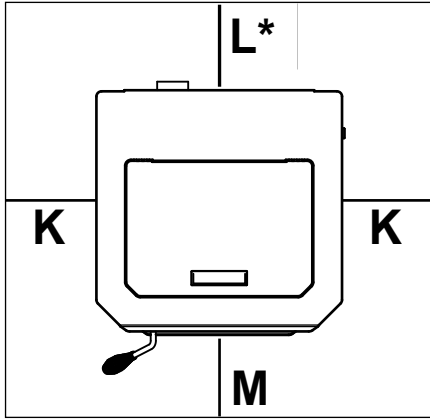
**High temperatures may ignite clothing or other flammable materials.**

- Keep clothing, furniture, draperies and other flammable materials away.

# 7 Dimensions & Clearances

## E. Hearth Pad Requirements (UL and ULC)

Use a non-combustible floor protector, extending beneath appliance and to the front, sides and rear as indicated. Measure front distance "M" from the surface of the glass door.

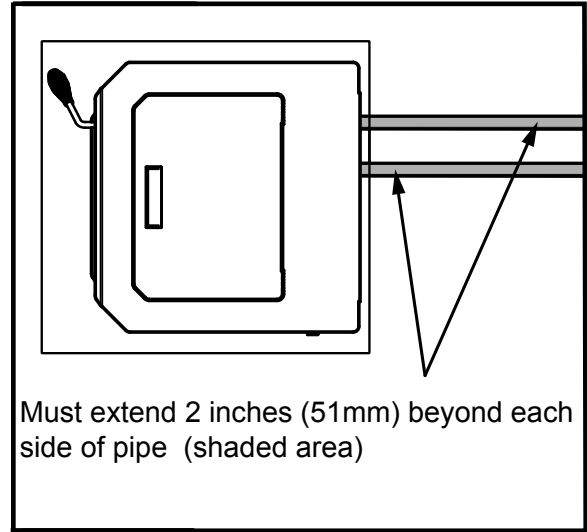


USA Hearth Pad Requirements

Hearth Pad Requirements		Inches
<b>K</b>	Sides	2
<b>L*</b>	Back	2
<b>M</b>	Front	6

Canada Hearth Pad Requirements

Hearth Pad Requirements		Millimeters
<b>K</b>	Sides	203
<b>L*</b>	Back	51
<b>M</b>	Front	152



### \*E: Exception for Horizontal Installations:

**CANADA INSTALLATIONS:** A non-combustible floor protection extending beneath the flue pipe is **required** with horizontal venting or under the top vent adapter with vertical installation.

**USA INSTALLATIONS:** A non-combustible floor protection extending beneath the flue pipe is recommended with horizontal venting or under the top vent adapter with vertical installation.

**A non-combustible floor protector is required.**

### **WARNING**



**If the information in these instructions is not followed exactly, a fire may result causing property damage, personal injury, or death.**


- Do not store or use gasoline or other flammable vapors and liquids in the vicinity of this or any other appliance.
- Do not over fire - If heater or chimney connector glows, you are over firing. Over firing will void your warranty.
- Comply with all minimum clearances to combustibles as specified. Failure to comply may cause house fire.



# 8 Vent Information

## A. Chimney and Exhaust Connection

1. **Chimney & Connector:** Use 3 or 4 inch (76-102mm) diameter type "L" or "PL" venting system. It can be vented vertically or horizontally.
2. **Mobile Home:** Approved for all Listed pellet vent. If using the 3 inch (76mm) vertical Top Vent Adapter Kit or the 3 to 6 inch (76-152mm) Top Vent Offset Adapter, use Listed double wall flue connector. An authorized Outside Air Kit must be used with manufactured home installations.
3. **Residential:** The 3 inch (76mm) vertical Top Vent Adapter Kit and the 3 to 6 inch (76-152mm) Top Vent Offset Adapter are tested to use 24 gauge single wall flue connector or Listed double wall flue connector to Class A Listed metal chimneys, or masonry chimneys meeting International Conference of Building Officials (ICBO) standards for solid fuel appliances.
4. **INSTALL VENT AT CLEARANCES SPECIFIED BY THE VENT MANUFACTURER.**
5. Secure exhaust venting system to the appliance with at least 3 screws or rivets per the pipe manufacturer's instructions. Also secure all connector pipe joints with at least 3 screws through each joint.
6. DO NOT INSTALL A FLUE DAMPER IN THE EXHAUST VENTING SYSTEM OF THIS UNIT.
7. DO NOT CONNECT THIS UNIT TO A CHIMNEY FLUE SERVING ANOTHER APPLIANCE.

**NOTE: All pipe must be welded seam pipe whenever possible. Seal pipe joints with high temperature silicone (500°F [260°C] minimum rated only). Do not put silicone inside of pipe.**

 <b>WARNING</b>	
	<b>Fire Risk.</b> Follow Chimney Connector Manufacturer's Instructions for Proper Installation.
	ONLY use connector: <ul style="list-style-type: none"><li>• Within the room, between appliance and ceiling or wall.</li></ul> Connector shall NOT pass through: <ul style="list-style-type: none"><li>• Attic or roof space</li><li>• Closet or similar concealed space</li><li>• Floor or ceiling</li></ul> Maintain minimum clearances to combustibles

 <b>WARNING</b>	
	Vent surfaces get HOT, can cause burns if touched. Non-combustible shielding or guards may be required.

## B. Venting Termination Requirements

<b>CAUTION</b>
<b>Do not terminate vent</b> in any enclosed or semi-enclosed area such as a carport, garage, attic, crawl space, under a sun deck or porch, narrow walkway or closely fenced area, or any location that can build up a concentration of fumes such as a stairwell, covered breezeway, etc.

1. Termination must exhaust above air inlet elevation. **It is strongly recommended that at least 60 inches (1.5m) of vertical pipe be installed when appliance is vented directly through a wall.** This will create a natural draft, which will help prevent the possibility of smoke or odor venting into the home during a power outage. It will also keep exhaust from causing a nuisance or hazard by exposing people or shrubs to high temperatures. The safest and preferred venting method is to extend the vent vertically through the roof.
2. Distance from doors and opening windows, or gravity or ventilation air inlets into building:
  - Not less than 48 inches (1.2m) below;
  - Not less than 48 inches (1.2m) horizontally from;
  - Not less than 12 inches (305mm) above.
3. Distance from permanently closed windows;
  - Not less than 12 inches (305mm) below; horizontally from or above.
4. Distance between bottom of termination and grade should be 12 inches (305mm) minimum. This is conditional upon plants in the area, and nature of grade surface. The grade surface must be a non-combustible material (i.e., rock, dirt). The grade surface must not be lawn. Distance between bottom of termination and public walkway should be 7 feet (2.13m) minimum.
5. Distance to combustible materials must be 24 inches (610mm) minimum. This includes adjacent buildings, fences, protruding parts of the structure, roof overhang, plants and shrubs, etc.
6. Termination Cap Location (Home Electrical Service)
  - Side-to-side clearance is to be the same as minimum clearance to vinyl inside corners.
  - Clearance of a termination cap below electrical service shall be the same as minimum clearance to vinyl soffits.
  - Clearance of a termination cap above electrical service will be 12 inches (305mm) minimum.
  - Location of the vent termination must not obstruct or interfere with access to the electrical service.

# 8 Vent Information

## C. Pellet Venting Charts

The maximum horizontal venting allowed with no vertical venting attached is 48 inches (1219mm) including one 90° elbow or two 45° elbows. This is our recommended horizontal venting installation. Addition of any horizontal venting beyond 48 inches (1219mm) requires a minimum 60 inches (1524mm) of additional vertical vent. Horizontal sections of vent pipe should have a 1/4 inch (6.35mm) rise per foot.


GHP recommends any installation requiring more than two 90° elbows, or more than 15 feet (4.5m) of venting to use 4 inch (102mm) vent.

45° elbow is equivalent to 1 foot of straight pipe  
 90° elbow is equivalent to 3 feet of straight pipe


ONE 90° ELBOW		
Total Horizontal	Minimum Vertical	Vent Diameter
4	0	3
5	5	3
6	6	3
7	7	3
8	8	4
9	9	4
10	10	4
11	11	4
12	12	4
13	13	4
14	14	4
15	15	4
16	16	4
17	17	4
18	18	4
19	19	4

TWO 90° ELBOWS		
Total Horizontal	Minimum Vertical	Vent Diameter
2	5	3
3	6	3
4	7	3
5	8	3
6	9	3
7	10	4
8	11	4
9	12	4
10	13	4
11	14	4
12	15	4
13	16	4
14	17	4
15	18	4

THREE 90° ELBOWS		
Total Horizontal	Minimum Vertical	Vent Diameter
2	11	4
3	12	4
4	13	4
5	14	4
6	15	4
7	16	4
8	17	4
9	18	4
10	19	4
11	20	4

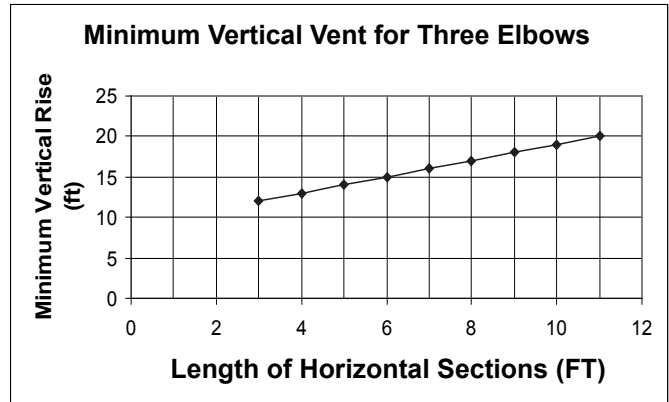
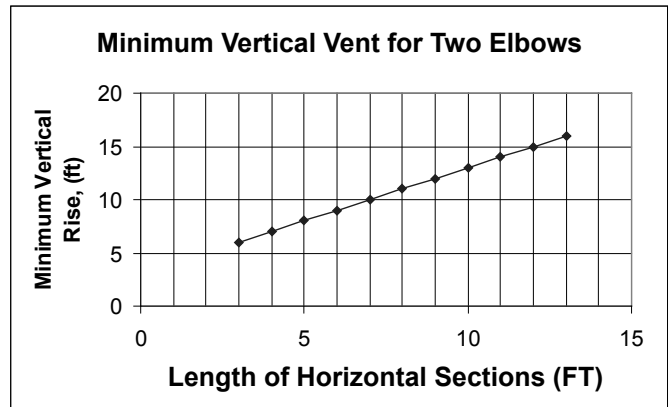
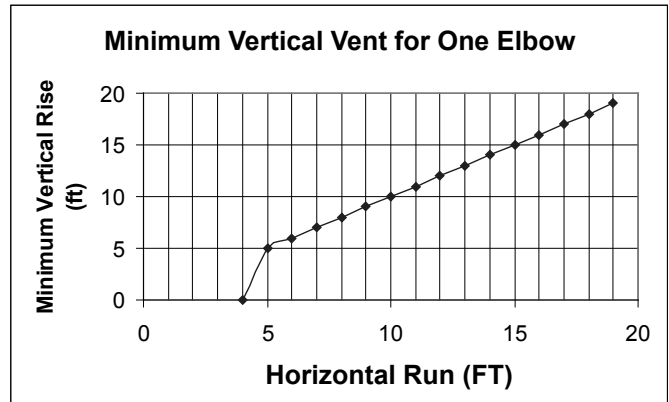


### WARNING



**Fire Risk.**

- Only LISTED venting components may be used.
- NO OTHER vent components may be used. Substitute or damaged vent components may impair safe operation.

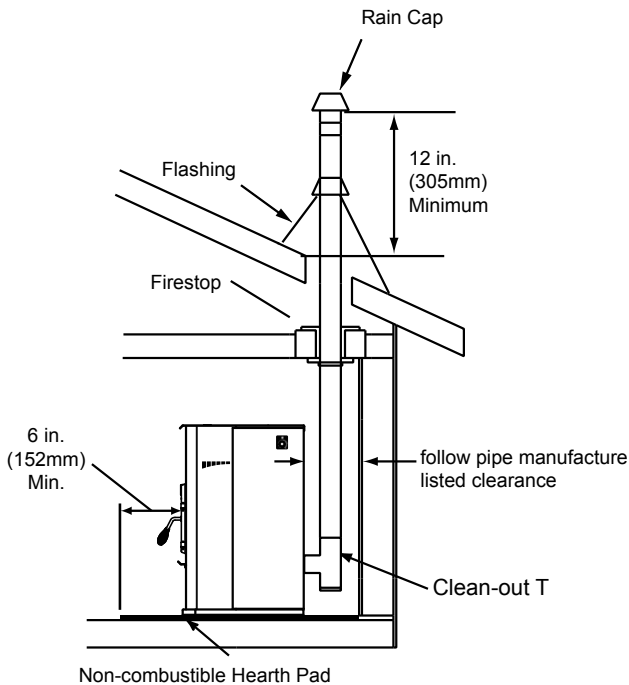


**NOTICE:** These are guidelines for successful venting of your pellet appliance. The more vertical rise you can obtain in your system, the better it will perform. Horizontal vent runs can accumulate ash and will need to be cleaned more often. Try to keep them as short as possible.

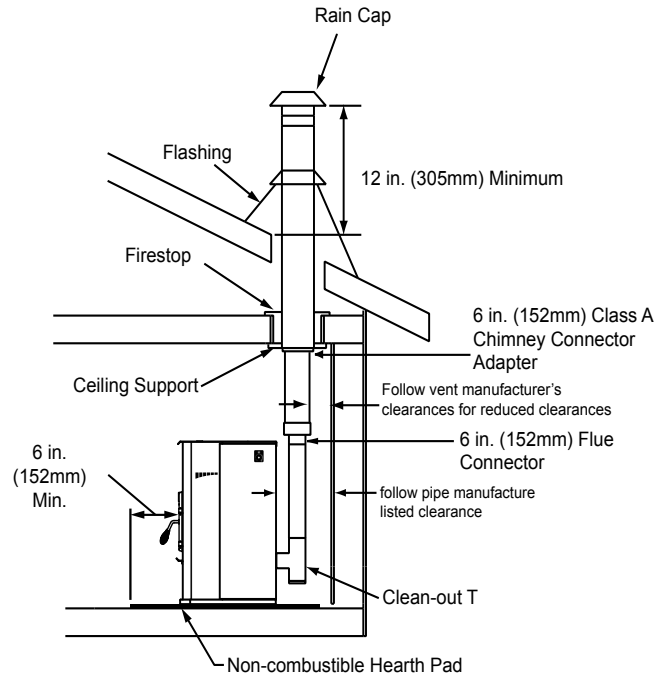
# 9 Venting Systems

## A. Vertical - Interior - Typical Installation

### PREFERRED METHOD #1

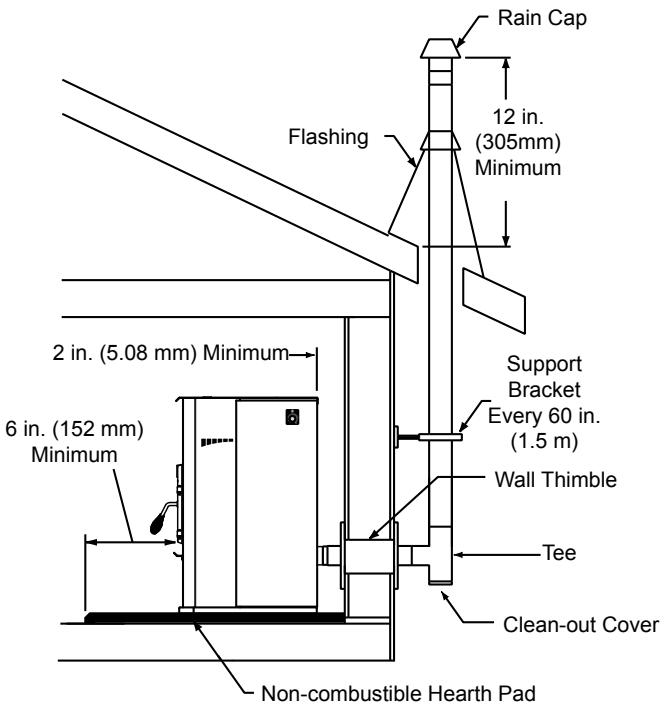


## C. Vertical into Existing Class A Chimney



## B. Through The Wall & Vertical - External - Horizontal

### PREFERRED METHOD #2



**We strongly recommend a minimum of 60 inches (1.5m) vertical, however above the eave is preferred.**

Both installations are approved for mobile home installations. Must use 3 or 4 inch (76 to 102mm) "L" or "PL" Listed pellet venting or Listed double wall pipe and authorized Outside Air Kit in mobile homes. Single wall pipe is approved for residential installations only.

### **Air Clearance to Pipe:**

This appliance was tested with standard 3 inch (76mm) Listed pellet vent.

Pellet pipe manufacturers Listed reduced clearance pipe may be use for reduce clearance from 3 inch (76mm) air clearance to no less than 1 inch (25mm) air clearance to combustibles for approved Listed pellet pipe.

**Follow pipe manufactures listed air clearances to combustibles and installation instructions for all reduced air clearances installations.**

# 9 Venting Systems

## ⚠️ WARNING



### Fire Risk

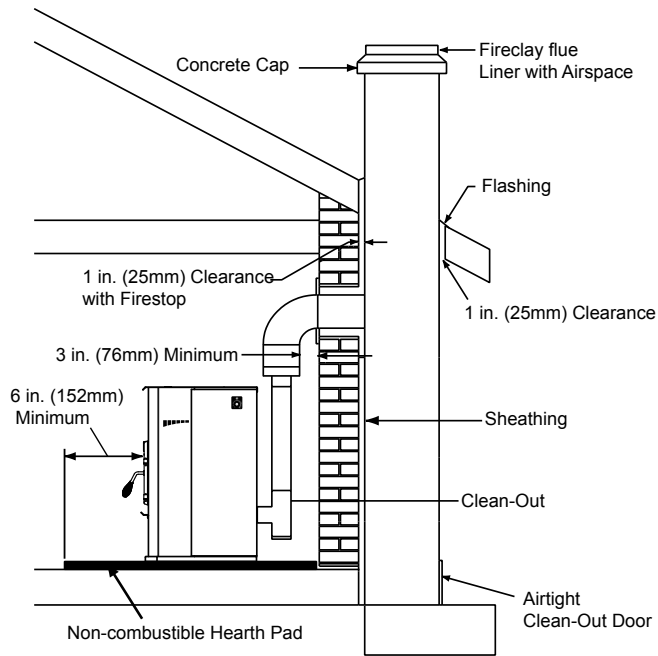
#### Inspection of Chimney:

- Masonry chimney must be in good condition.
- Meets minimum standard of NFPA 211
- Factory-built chimney must be minimum 6 inch (152mm) UL103 HT.

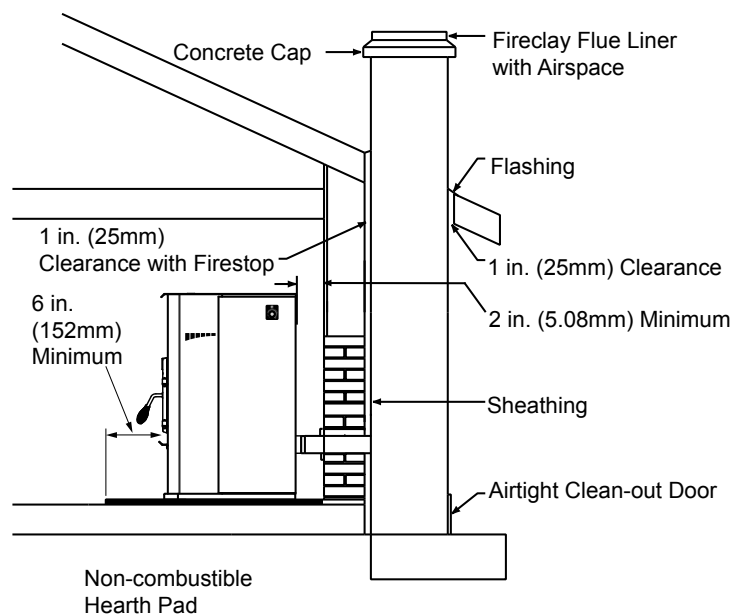
## ⚠️ WARNING

Improper installation, adjustment, alteration, service or maintenance can cause injury or property damage. Refer to the owner's information manual provided with this appliance. For assistance or additional information consult a qualified installer, service agency or your dealer.

### D. Masonry



### E. Alternate Masonry



# 9 Venting Systems

## F. Through The Wall

Horizontal termination cap must be a minimum of 6 inches (152mm) from the wall. Approved for mobile home installations. Must use 3 or 4 inch (76-102mm) "L" or "PL" listed pellet venting or Listed double wall pipe and an authorized Outside Air Kit in mobile homes.

### NOTICE:

Please note that while the minimum clearance for the termination cap is 6 inches (152mm) there is the possibility of soot build-up around the termination area. If this occurs we suggest to move the termination further away from the house to prevent it. The suggested minimum is 12 inches.

In Canada, where passage through a wall or partition of combustible construction is desired, the installation shall conform to CAN/CSA-B365

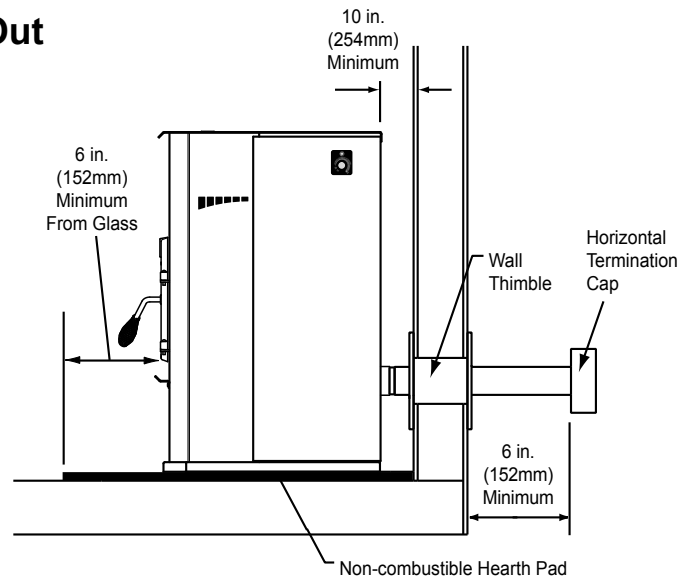
### CAUTION

**DO NOT DOWNWARD VENT.**

The following will occur:

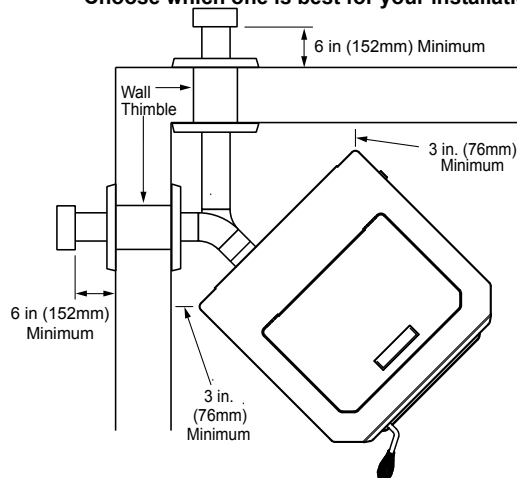
- The appliance will not vent properly
- Smoke spillage in the house
- Excessive sooting

## Straight Out



## 45 Degree

Illustration shows venting going in both directions. Choose which one is best for your installation.





# 10 Mobile Home

## A. Mobile Home Installation

**You must use an authorized Outside Air Kit for installation in a mobile home.**

1. An outside air inlet must be provided for the combustion air and must remain clear of leaves, debris, ice and/or snow. It must be unrestricted while the appliance is in use to prevent room air starvation which causes smoke spillage. Smoke spillage can also set off smoke alarms.
2. The combustion air duct system must be made of metal. It must permit zero clearance to combustible construction and prevent material from dropping into the inlet or into the area beneath the dwelling and contain a rodent screen.
3. The appliance must be secured to the mobile home structure by bolting it to the floor (using lag bolts) with two attachment points. Use the same holes that secured the appliance to the shipping pallet.
4. The appliance must be grounded with #8 solid copper grounding wire or equivalent, terminated at each end with an NEC approved grounding device.
5. Refer to Clearances to Combustibles and floor protection requirements for listings to combustibles and appropriate chimney systems.
6. Use silicone to create an effective vapor barrier at the location where the chimney or other component penetrates to the exterior of the structure.
7. Follow the chimney manufacturer's instructions when installing the vent system for use in a mobile home.
8. Installation shall be in accordance with the Manufacturers Home & Safety Standard (HUD) CFR 3280, Part 24.

### CAUTION

THE STRUCTURAL INTEGRITY OF THE MOBILE HOME FLOOR, WALL AND CEILING/ROOF MUST BE MAINTAINED

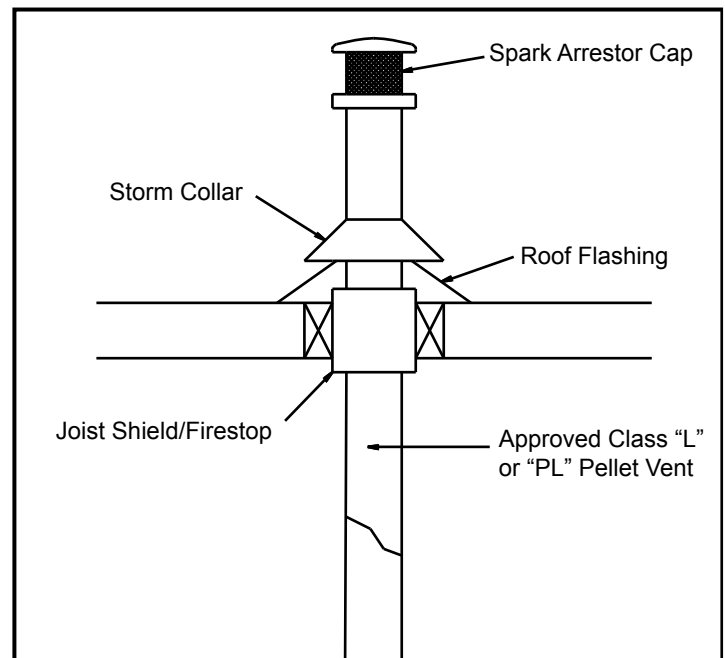
Do NOT cut through:

- Floor joist, wall, studs or ceiling trusses.
- Any supporting material that would affect the structural integrity.

### CAUTION

Never draw outside combustion air from:

- Wall, floor or ceiling cavity
- Enclosed space such as an attic, garage or crawl space.



### WARNING

Installation must comply with Manufactured Home and Safety Standard (HUD), CFR 3280, Part 24.

### WARNING



#### Asphyxiation Risk.

NEVER INSTALL IN A SLEEPING ROOM.

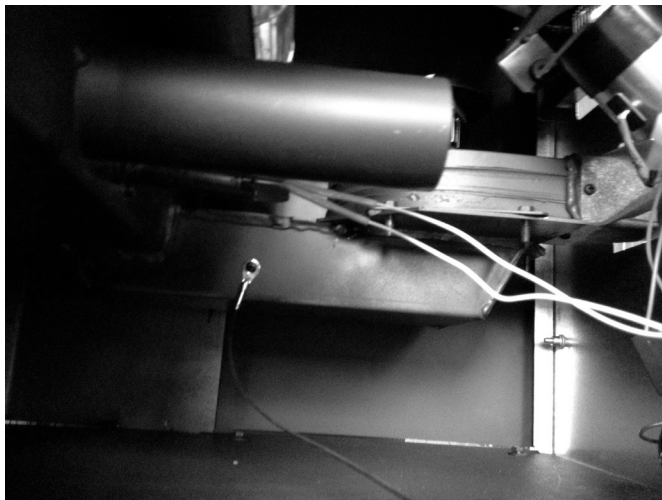
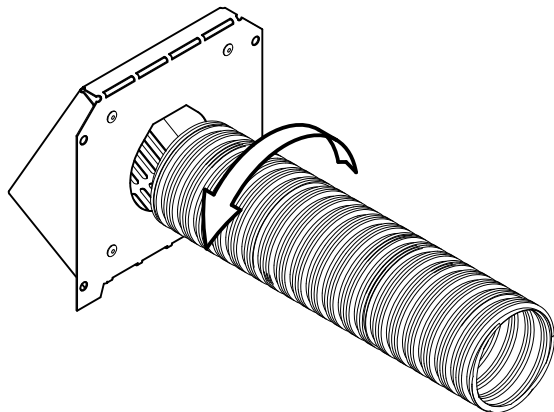
Consumes oxygen in the room.

# 11 Appliance Set-Up

## A. Outside Air Kit Instructions

An outside air kit has been provided standard with the appliance. It is highly recommended to use the outside air kit for maximum performance and to reduce effects from negative pressure in the home.

For attachment to this platform, knock out the rectangular plate in the rear of the unit and slide the tube in the rear of the unit. Using the hose clamp, attach the flex pipe to the 2" tube welded to the rear of the firebox as shown in the photo.



### CAUTION

- Never draw outside combustion air from:
- Wall, floor or ceiling cavity
  - "Enclosed space such as an attic, garage or crawl space.

## B. Power up the Unit

Plug the unit into 120VAC power.

### CAUTION



Shock hazard.

- Do NOT remove grounding prong from plug.
- Plug directly into properly grounded 3 prong receptacle.
- Route cord away from appliance.
- Do NOT route cord under or in front of appliance.



### WARNING



DISCONNECT SUPPLY  
BEFORE SERVICING.

# 12 Troubleshooting

Symptom	Possible Cause	Corrective Action
Plug in appliance - No response.	No Power to outlet. 5 amp fuse defective or blown Snap disc tripped or defective.	Check circuit breaker at service panel. Replace fuse. Reset or replace snap disc.
Unit Will Not Light	No Fuel Out of fuel. Vacuum switch not closing, no vacuum.  Hopper lid open. Defective hopper switch. Feed System is Jammed Feed motor not plugged in  No Igniter Igniter not plugged in Igniter not centered  Igniter defective  Firepot Plugged Firepot dirty  Firepot in backwards Too much debris in the bottom of the firepot	Check hopper. Fill with fuel. Check exhaust blower is plugged in and operating. Check vacuum switch is plugged in Check vacuum hose is in good condition clear and connected at both ends Make sure venting system is clean Make sure front door is closed Check vacuum switch fitting on side of feed tube for blockage Close Hopper Lid Check hopper switch operation Inspect and un-jam the feed assembly Reconnect feed motor  Plug the igniter in Center the igniter Igniter seated in chamber completely Replace igniter  Clean firepot Clean below the firepot Put the firepot in the correct direction Clean firepot
Fire starts but goes out	Firepot is dirty  Exhaust path and/or venting is plugged  Exhaust sensor cannot read correct temperature Exhaust path is dirty  Exhaust probe is not attached to outlet  Exhaust probe is not plugged in to the board Exhaust probe is defective (error code may result)	Clean firepot. Check flue vent for obstruction  Inspect and clean exhaust path and venting clean firebox including behind the baffles  Inspect and clean the exhaust outlet especially the right side wall. Remove the right side panel and inspect to see if the exhaust probe is attached and tight against the exhaust outlet Plug the probe into the board Replace the exhaust probe
Unit start and stops frequently when operating in the automatic mode	Area were the unit is installed heats and cools quickly depending on installation configuration. Tight spaces also may have an effect on the on/off cycling of the unit.  Ambient probe Probe touching heated surface	Check the proximity to doors and windows and/or insulation factor of the structure. If heat loss is quick the unit may need to run on max or minimum.  Inspect the probe and make sure it is not touching a surface that heats and cools quickly. The ambient probe has additional wire inside rear cavity which can be used to increase the distance from the unit.

# 12 Troubleshooting

Symptom	Possible Cause	Corrective Action
Slow or smoky start-up and/or lazy flame	Dirty exhaust and/or venting system. Not enough combustion air Misaligned igniter Wet fuel / poor quality fuel	Check for ash build up in unit, including behind rear panels, firebox, exhaust blower and venting. Adjust the trim  Center the igniter in the chamber Replace fuel
Convection blower fails to start.	Convection Blower Jammed Not plugged in  Exhaust probe Not sensing correct temperature  Control box is defective.	Inspect, clean, and un-jam the blower. Plug the blower in Replace blower  Clean the exhaust outlet especially the right side.  Replace control box.
Exhaust blower fails to start	Exhaust Blower Jammed Not plugged in  Control board is defective.	Inspect, clean, and un-jam the blower. Plug the blower in Replace blower  Replace control board.
Convection Blower Does Not Turn Off	Convection blower short circuit. The fuse will be blown and upon replacement of the fuse, the blower will run continuously.	Inspect wires, blowers, and power cord to find cause of short circuit. Replace board and failed component.
Convection Blower makes noise	Screws attaching convection blower to appliance have become loose.  Convection blower is dirty	Tighten screws  Clean blower impellers
Exhaust Blower Does Not Turn Off	Exhaust blower short circuit. The fuse will be blown and upon replacement of the fuse, the blower will run continuously.	Inspect wires, blowers, and power cord to find cause of short circuit. Replace board and failed component.
Igniter does not turn off	Igniter short circuit. The fuse will be blown and upon replacement of the fuse, the igniter will remain on when unit has power.	Inspect wires, blowers, and power cord to find cause of short circuit. Replace board and failed component.
Feed motor does not shut off	Feed motor short circuit. The fuse will be blown and upon replacement of the fuse, the feed motor will remain on when unit has power.	Open hopper to stop the feed motor. Inspect wires feed motor, control board, and power cord to find source of short circuit. Replace control board and failed component.
Unit fails to shut off.	Unit running in maximum or minimum	Turn dial control to Automatic or Off position. See Also, "Feed Motor Does Not Shut Off". The unit should go into a shutdown.
Large, lazy flame, orange color. Black ash on glass.	Dirty appliance. Poor fuel quality, high ash content.  Incorrect air-fuel adjustment  Excessive feeding/Feed Motor locked on	Clean unit, including firepot and venting system. Clean exhaust path. Try a different brand of pellets.  Turn fuel adjustment trim dial to LEFT to increase combustion air speed. Follow corrective action for feed motor does not turn off symptom.
Excessive fuel spilling over the firepot into the ash wells and/or excessive flame	Excessive feeding/Feed Motor locked on	Follow corrective action for feed motor does not turn off.
Black soot on the side of the house	Exhaust path is dirty. Excessive feeding/Feed Motor locked on  Incorrect air-fuel ratio	Clean Exhaust path Follow corrective action for feed motor does not turn off symptom. Turn fuel adjustment trim dial to the LEFT to increase combustion air speed See "Trim Adjustment" section on Page 9.

# 12 Troubleshooting

**Following correction of any Alarm, turn the dial control to the OFF position, wait 10 seconds and turn back to desired setting OR unplug the unit, wait 10 seconds then restore power.**

Alarm (LED Flashing RED)	Possible Cause	Corrective Action
<b>1 Flash: Empty Hopper</b>	No fuel is delivered to the firepot to sustain flame Hopper empty (most likely) Auger Jam (next likely) No vacuum Hopper lid open  Flame is evident but the exhaust probe is not able to recognize the hot exhaust temperature Exhaust probe not attached to outlet Exhaust path is dirty	Fill the hopper, inspect the feed tube for jams, inspect the venting and firebox for obstructions and clean if necessary, inspect the exhaust blower to make sure it runs, or close the hopper lid.  Inspect and clean the exhaust outlet, firebox, firepot, and behind the baffles. Inspect the exhaust probe to see if it is securely attached to the side of the exhaust outlet.
<b>2 Flashes: Exhaust Probe Fail</b>  <i>The exhaust probe senses a temperature of less than negative 20 degrees Celsius or above 300 degrees Celsius.</i>	The exhaust temperature is above or below the acceptable range.  Exhaust Probe Failure Not plugged in Failed component	Plug the probe into the board Replace the component
<b>3 Flashes: Ambient Probe Alarm</b>  <i>The ambient probe senses a temperature of less than negative 20 degrees Celsius or above 70 degrees Celsius.</i>	The ambient temperature is above or below the acceptable range.  Ambient Probe Failure Not plugged in Failed component	Plug the probe into the board Replace the component
<b>4 Flashes: Missed Ignition</b>  <i>During the ignition sequence the load does not ignite. The unit will automatically retry once from the first failed attempt.</i>	Fuel No fuel Hopper Empty Feed Jam Feed doesn't turn Feed motor disconnected or failed  Firepot Firepot Dirty so fuel is not near ignition hole in the firepot  Igniter No power Debris in the end of the igniter chamber	Fill the hopper Inspect and clear jam in the feed tube Inspect the feed motor circuit (hopper lid must be closed, vacuum switch must be closed (ie. exhaust blower on), and feed motor must be plugged in.  Clean the firepot  Check leads and if the igniter works. Clean the end of the igniter chamber from inside the firebox (removal of the firepot required for this step).
<b>8 Flashes: Exhaust Over Temperature</b>  <i>The exhaust temperature has exceeded the allowable temperature.</i>	Fuel Feed Motor Locked On  Non-approved fuel used  Convection blower Dirty Failed  Installation Installation configuration is tight allowing for limited air circulation around the unit.	Review the feed motor and feed rates. Normal feed motor operation is on between 1* and 4* seconds out of every 7 seconds. (*Depending on model and burn rate setting) If the feed motor does not turn off, replace the control board. Review the fuel being used.  Clean Replace  Review the installation and move if necessary.

# 13 Reference Materials

## A. Component Function



**When describing the location of a component, it is always AS YOU FACE THE FRONT OF THE APPLIANCE.**

### 1. Control Board

The control board is located on the right side of the appliance behind the lower right side panel.

### 2. Convection Blower

The convection blower is mounted in the rear of the unit. It pushes air up the rear of the firebox, across the top and out the front. As the air moves past the firebox it is heated.

### 3. Exhaust Blower

The exhaust blower is mounted on the left side of the appliance. The exhaust blower is designed to pull the exhaust from the appliance and push it out through the venting system.

### 4. Feed System

The feed system can be accessed in two areas. To access the auger spring, remove the cover in the hopper. To remove the feed motor, remove the side panel and motor cover plate in the rear of the unit.

### 5. Firepot

The firepot is made of a combination of stainless steel and heavy duty cold rolled steel. It is removable to aid in cleaning.

### 6. Fuse

The fuse is located on the control board. The fuse will blow should a short occur and shut off power to the appliance.

### 7. Dial Control

The dial control is attached to the right side of the appliance. The large dial controls the heat output where as the small dial below the large dial is the trim feature. The LED blinks according to the state of the appliance.

### 8. Hopper Switch

The hopper switch is located in the upper right hand corner of the hopper. This switch is designed to shut down the feed motor whenever the hopper lid is opened.

### 9. Igniter

The igniter is mounted in the chamber in the rear of the firebox below the convection blower. Combustion air travels over the red hot igniter creating super heated air that ignites the pellets.

### 10. Power Supply

The power cord connector in the rear of the unit. Check the wall receptacle for 120 volt, 60 Hz (standard current). Make sure the outlet is grounded and has the correct polarity. A good surge protector is recommended.

### 11. Exhaust Probe

The exhaust probe is mounted to the side of the exhaust outlet in the rear of the unit. It senses the temperature of the exhaust and allows the control system to make decisions.

### 12. Ambient Probe

The ambient probe is located in the back panel. It has extra wire to increase distance from appliance if needed.

### 13. Snap Disc (Back Burn Protector) 200°F

Snap disc is mounted on the back of the auger tube in the center of the appliance and has a reset button. There are two grey wires connected to it. To access it remove the right side panel. If the fire tries to burn back into the feed system or push exhaust up the feed tube, this snap disc will shut the entire system off. Unplug the stove prior to resetting.

### 14. Vacuum Switch

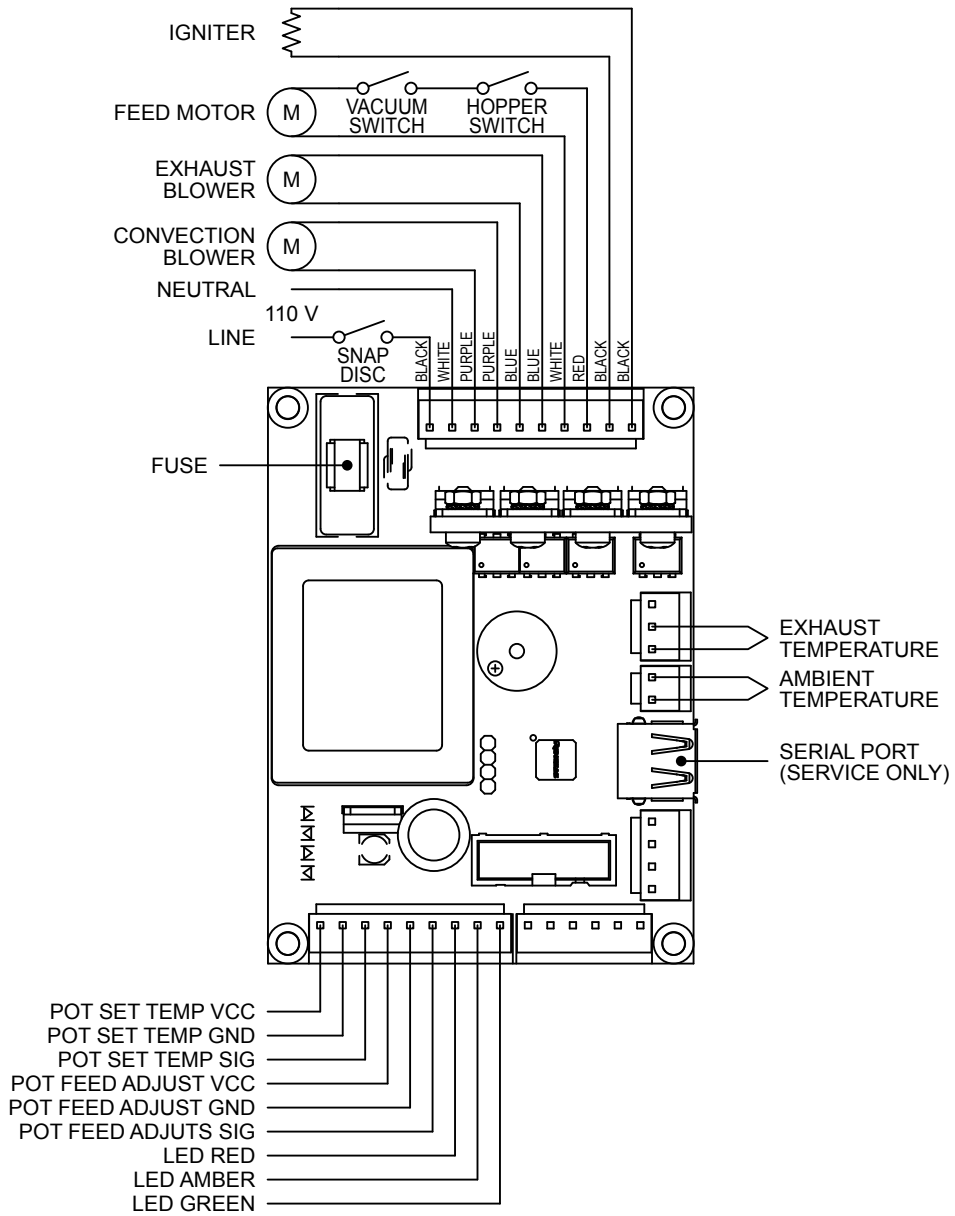
The vacuum switch is located on the lower right side of the appliance behind right side panel. There are two red wires attached to it. This switch turns the feed system on when vacuum is present in the firebox. The vacuum switch is a safety device to shut off the feed motor if the exhaust or the heat exchanger system is dirty or plugged or if the firebox door is open or exhaust blower failure.

### 15. Outside air inlet

The outside air tube can be attached to the 2" OD inlet tube mounted to the rear of the firebox. To extend the hose outside the unit there is a knockout plate that must be removed.

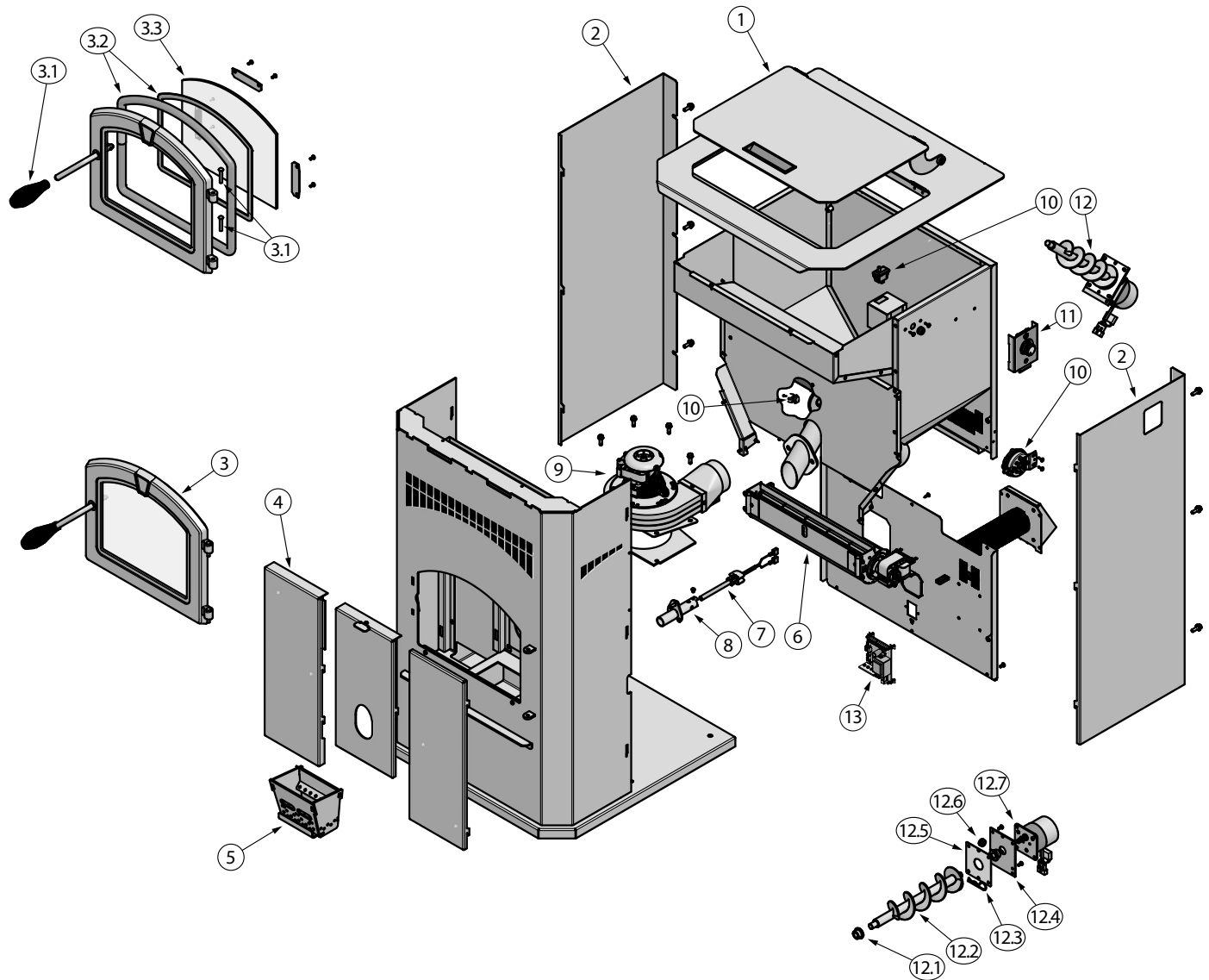
# 13 Reference Materials

## B. Wiring Diagram



# 13 Reference Materials

## C. Replacement Parts



- 1. Hopper Lid (1 per unit)\*
- 2. Side Panels (2 per unit)\*
- 3. Front Door Assembly
  - 3.1 Spring handle and hinge pins
  - 3.2 Door Rope Gasket and Glass Tape
  - 3.3 5mm Ceramic Glass
- 4. Baffles (3 per unit)\*
- 5. Firepot
- 6. Convection Blower
- 7. Igniter
- 8. Igniter Chamber
- 9. Exhaust Blower
- 10. Snap Disk, Vacuum Switch, Hopper Switch
- 11. Dial Control

- 12. Feed Assembly
  - 12.1 Bronze Bushings (2 per unit)
  - 12.2 Auger Assembly
  - 12.3 Feed Motor Hitch Pin
  - 12.4 Feed Motor Bracket
  - 12.5 Feed Motor Gasket
  - 12.6 Rubber Grommet
  - 12.7 Feed Motor
- 13. Control Board\*
- 14. Exhaust Probe (not pictured)
- 15. Ambient Probe (not pictured)

\*WHEN ORDERING REPLACEMENT PARTS, SPECIFY MODEL TO GET THE CORRECT PARTS.







# 13 Reference Materials

## E. 5 Year Warranty

GHP Group warrants that your new wood-burning stove, pellet-burning stove, or masonry wood insert is free from manufacturing and material defects for a period of five years from the date of sale, subject to the following conditions and limitations.

1. This warranty is extended to the original owner only, for residential use, and is subject to proof of purchase.
2. The new GHP Group product must be installed and operated at all times in accordance with the installation and operation instructions supplied with the appliance, and installation must be to local and national codes. Any alterations, willful abuse, accident, over firing or misuse will not be covered under warranty. NOTE: Some minor movement of certain parts is normal and is not a defect and therefore, not covered under warranty.
3. The warranty is non-transferable, and is made to the original owner, provided that the purchase was made through an authorized GHP Group supplier. The serial number must be supplied along with the Bill of Sale, showing the date of purchase, at the time the claim is submitted.
4. This warranty is limited to the repair or replacement of parts only, found to be defective in material or construction, provided that such parts have been subjected to normal conditions of use and service, after a said defect has been confirmed by GHP Group, or an authorized representative's inspection. Defective parts must be shipped back (at GHP Group discretion), transportation prepaid, to the manufacturer. Credits will be issued upon receipt of return of the defective product to GHP Group.
5. GHP Group, at its discretion, can fully discharge all obligation with respect to this warranty by refunding the wholesale price of the defective part(s).
6. Any installation, labor, construction, transportation or other related costs or expenses arising from defective parts, repair, replacement or otherwise of same, will not be covered by this warranty nor will GHP Group assume responsibility for same. Further, GHP Group will not be responsible for any incidental, indirect or consequent damages, except as provided by law, and in no event shall they exceed the original purchase price.
7. All other warranties - expressed or implied - with respect to the product, its components and accessories, or any obligations/liabilities on the part of GHP Group are hereby expressly excluded.
8. GHP Group neither assumes, nor authorizes any third party to assume, on GHP Group's behalf, any other liabilities with respect to the sale of this GHP Group product.
9. The warranties as outlined within this document do not apply to chimney components or other products made by other manufacturers when used in conjunction with the installation of this product. Improper use or the use of non-approved components may nullify your warranty. If in doubt, contact your nearest GHP Group supplier or GHP Group Customer Service Department.
10. GHP Group will not be responsible for:
  - Downdrafts or spillage caused by environmental conditions such as nearby trees, buildings, rooftops, hills, mountains, or ineffective chimney design.
  - Inadequate ventilation, excessive offsets or negative air pressure caused by mechanical systems such as furnaces, clothes dryers, fans, etc.
11. This warranty is void if:
  - The appliance has been operated in atmospheres contaminated by chlorine, fluorine, or other damaging chemicals.
  - This appliance has been subjected to prolonged periods of dampness or condensation.
  - The appliance has any damage due to water, or weather damage that is the result of, but not limited to, improper chimney/venting installation.
  - The appliance has been subjected to will full or accidental abuse or misuse.
  - Corrosive driftwood, manufactured logs or other fuels are used other than as outlined in the installation and operating instructions.

- The appliance is not maintained in good condition, including firebrick and gaskets.

### Doors with Glass and Plated Parts

Glass is warranted against thermal breakage only. To clean glass, use a ceramic/glass cleaner or polish. Do not use ammonia based cleaners. A suitable cleaner is available at your nearest Pleasant Hearth dealer. **DO NOT CLEAN GLASS WHILE HOT AND DO NOT USE ABRASIVE CLEANERS.**

Plated parts will not be covered under this warranty. Plated parts should be cleaned by using denatured alcohol only and rubbed lightly with a lint-free non-abrasive cloth. Excessive rubbing or polishing may remove the plated finish. Plated parts may also be damaged by external chemicals.

### Further Exclusions

#### WOOD-BURNING STOVE

Electrical components, such as the blower, are covered for five (5) years from the date of purchase if they are included with the purchase of your stove.

This warranty will not include or extend to paint, gaskets or firebrick components, and does not cover any removable firebox components such as brick retainers or stainless steel air tubes.

#### PELLET-BURNING STOVE:

##### Five Year Period:

1. Carbon steel and welded seams in the firebox are covered for five (5) years against splitting.
2. The steel door and hinges are covered for five (5) years against cracking.

##### One Year Period:

1. Component parts such as the hopper, auger, burn-pot, baffle plate, auger shaft and fasteners are covered for one (1) year against cracking, breakage and welded seam separation.
2. Electrical components, accessory items, glass and the painted surface of the stove are covered for one (1) year from the date of purchase.

### IF WARRANTY SERVICE IS REQUIRED

Contact GHP Group Customer Service. Make sure you have your sales receipt and the model/serial number of your GHP Group product.

Do not attempt to do any service work yourself, unless pre-approved by GHP Group in writing as this will void the warranty. GHP Group must authorize service and provide a Warranty Claim Number prior to any warranty related service calls. Without an authorization number, any service work will not be deemed warranty.

### IMPORTANT NOTICE

BEFORE LIGHTING YOUR FIRST FIRE, REMOVE PLASTIC FILM OFF TRIM AND CLEAN THE PLATED SURFACES WITH DENATURED ALCOHOL OR A GOOD QUALITY, NON-ABRASIVE LIQUID GLASS CLEANER. APPLY WITH A VERY SOFT, CLEAN CLOTH. DO NOT USE PAPER TOWELS TO CLEAN THE PLATED PARTS. FAILURE TO CLEAN ALL MARKS AND FINGERPRINTS FROM THE PLATED SURFACES WILL CAUSE PERMANENT DAMAGE.

NOTE: Some states and provinces do not allow the exclusion or limitation of incidental or consequential damages. The above limitations may not apply to you.

**GHP Group, Inc. • 6440 W. Howard St. • Niles, IL 60714**

### KEEP THIS WARRANTY

Serial # \_\_\_\_\_ Model # \_\_\_\_\_  
Date Purchased \_\_\_\_\_

**CONTACT INFORMATION:**



6440 W. Howard St.  
Niles, IL 60714  
877-447-4768

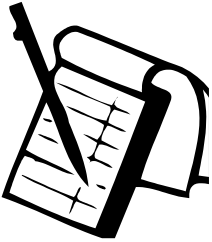
**Please contact the GHP Group with any questions or concerns.**

[www.ghpgroupinc.com](http://www.ghpgroupinc.com)

**For Customer Service 1-877-447-4768**

Prior to calling, please have the model, serial number, and sales receipt of the unit you are calling about.

This information can be found at the rear of the unit.



**We recommend that you record the following pertinent information for your GHP Group Pellet Stove**

Date purchased/installed: \_\_\_\_\_

Serial Number: \_\_\_\_\_ Location on appliance: \_\_\_\_\_

Store purchased from: \_\_\_\_\_ Store Location: \_\_\_\_\_

Notes: \_\_\_\_\_

\_\_\_\_\_

\_\_\_\_\_

Manufactured for GHP at  
Qingdao Hichanse Group., Ltd  
No. 25, Wenhua Road  
Jimo, Qingdao, China 266200  
Made in China

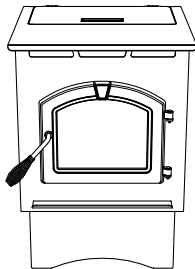
(877) 447- 4768

# Pleasant Hearth™

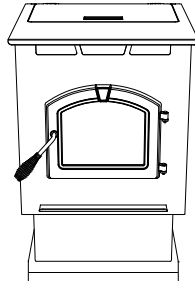


*Warming Your Home. Warming Your Heart.*

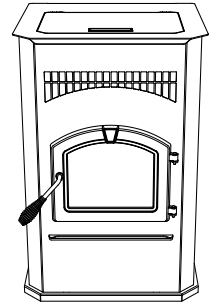
## Poêle à granules de haute efficacité



**PH35PS**



**PH50PS**



**PH50CABPS**

### Modèles :

**PH35PS Série – Poêle à granules sur socle**

**PH50PS Série – Poêle à granules sur socle et base**

**PH50CAB Série – Poêle cabinet à granules**

## Manuel du propriétaire

Installation et réparation



**AVIS DE SÉCURITÉ: VEUILLEZ S'IL VOUS PLAÎT LIRE AU COMPLET CE MANUEL AVANT L'INSTALLATION ET L'UTILISATION DE CET APPAREIL DE CHAUFFAGE À GRANULES. IL FAUT SUIVRE LES INSTRUCTIONS POUR EMPÊCHER DES DOMMAGES MATÉRIELS, DES BLESSURES CORPORELLES OU LA MORT. CONTACTEZ LE DIRECTEUR DE LA CONSTRUCTION DE VOTRE RÉGION POUR VOUS INFORMER AU SUJET DES RESTRICTIONS ET DE L'INSPECTION DE L'INSTALLATION.**

### **GARDEZ CES INSTRUCTIONS**

**Questions, problèmes, pièces manquantes? Avant de retourner à votre détaillant, appelez notre service à la clientèle au 877-447-4768 de 8 h 30 - 16 h 30 HNC, du lundi au vendredi ou envoyez un courriel au [customerservice@ghpgroupinc.com](mailto:customerservice@ghpgroupinc.com).**



6440 W. Howard St.  
Niles, IL 60714  
877-447-4768

Cet appareil de chauffage est conforme aux limites d'émission de l'Environmental Protection Agency des États-Unis pour les appareils de chauffage au bois vendus après le 15 mai 2015.



**Intertek**  
Certifié ULC S627  
et ASTM E1509

# Guide d'instructions d'éclairage

## ⚠ PRUDENCE ⚠

Tout le matériel doit être enlevé de la vitre de porte et de la chambre de combustion avant l'opération.

Suivez toutes les instructions et avertissements pour un démarrage sûr du poêle. Le non-respect des instructions peut entraîner des blessures ou des dommages.

Pendant le démarrage et le fonctionnement normal, la porte avant de votre appareil doit être fermée.

Les odeurs et les vapeurs sont libérés lors du démarrage initial après l'achat. Brûler votre appareil sur HI pendant 30 minutes permettra à la peinture de guérir. Ouvrez les fenêtres ou les portes pour la circulation de l'air jusqu'à la fin du brûlage.

1. Tournez la commande de cadran sur OFF et vérifiez que l'appareil est complètement arrêté., **Figure 2.1.**

2. Assurez-vous que l'appareil est complètement refroidi et nettoyez le poêle à feu (reportez-vous à la section Nettoyage de la cuve à incendie dans la section Entretien général du mode d'emploi sous Entretien et entretien de l'appareil).

3. Ouvrez la porte avant et assurez-vous que tous les déflecteurs sont correctement installés, **Figure 2.2** (voir aussi Nettoyer le chemin d'évacuation, les déflecteurs et le tube d'échappement dans la section Entretien général du manuel du propriétaire sous Maintenance et entretien de l'appareil).

\*Une fois vérifié, fermez la porte.\*

4. Inspectez la trémie et assurez-vous qu'il ya de la graisse dans la trémie. S'il y a du carburant dans la trémie, fermez le couvercle et passez à l'étape 5, **Figure 2.3.**

REMARQUE: Si la trémie est complètement vide, il faudra ajouter de la pelletée à la trémie et l'amorcer (voir Apprêter le tube d'alimentation dans la section Informations générales du manuel d'utilisation).

5. Tournez le sélecteur sur le réglage souhaité.  
-Le voyant vert commence à clignoter rapidement pour indiquer la séquence de démarrage.

**REMARQUE: Si l'appareil ne s'allume pas, le voyant DEL clignotera rouge 4 fois en permanence indiquant une alarme d'allumage manquée; Répéter les étapes 1 à 5.**

REMARQUE: L'alarme d'allumage manquée peut prendre jusqu'à 20 minutes.



Figure 2.1

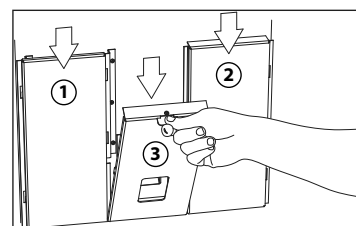


Figure 2.2

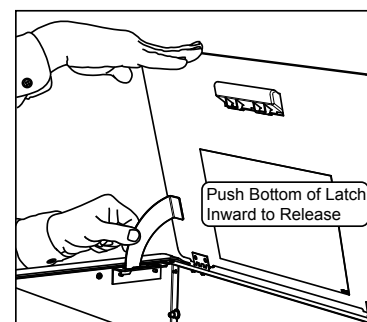


Figure 2.3

## Définition des avertissements de sécurité :

- **DANGER!** Indique une situation dangereuse qui entraînera la mort ou des blessures graves si elle n'est pas évitée.
- **AVERTISSEMENT!** Indique une situation dangereuse pouvant entraîner la mort ou des blessures graves si elle n'est pas évitée.
- **ATTENTION!** Indique une situation dangereuse pouvant provoquer des blessures mineures ou modérées si elle n'est pas évitée.
- **AVIS :** Désigne des pratiques pouvant endommager l'appareil ou d'autres biens matériels.

## TABLE DES MATIÈRES

### 1 Référencement et codes d'approbation

A. Homologation de l'appareil .....	49
B. Approuvé pour les maisons mobiles .....	49
C. Caractéristiques de la vitre .....	49
D. Charge électrique (température élevée).....	49
E. BTU & Efficacité.....	49

### 2 Information Générale

A. Sécurité-incendie .....	50
L'information suivante est importante. Il faut en tenir compte par mesure de sécurité-incendie: .....	50
B. Matériel Combustible/incombustible .....	50
C. Le combustible et son rangement .....	50
D. Avant votre premier feu .....	50

### 3 Instructions Générales D'exploitation

A. Bouton de réglage .....	51
B. Remplissage de la trémie .....	51
D. Pot de feu Burn Down .....	52
E. Éteindre .....	52
F. Votre premier feu .....	53
G. Le Feu .....	53
H. Instructions Générales pour votre appareil à granules .....	54
I. Tableau des codes de couleur DEL et explications.....	55
J. Cycle d'allumage .....	56
K. Mode Minimum ou Maximum.....	56
L. Mode de fonctionnement Automatique .....	56
M. Espacement .....	56
N. Réglage de compensation.....	56

### 4 L'entretien et la réparation de votre appareil

A. Arrêt Convenable Procédure .....	57
B. Guide éclair pour le nettoyage et l'inspection .....	57
C. Entretien général .....	58
D. Entretien (grande quantité de cendres).....	62
E. Foire aux questions .....	63

### 5 Pièces de remplacement

A. Ventilateur à convection remplacement.....	64
B. Remplacement du ventilateur d'extraction.....	64
C. Remplacement de la rondelle à pression .....	65
D. Remplacement de L'igniteur .....	65
E. Enlever et remplacer les chicanes .....	65
F. Remplacement de la vitre.....	66
G. Remplacement de la carte électronique.....	66
H. Remplacement du fusible .....	66
I. Remplacement du moteur d'alimentation.....	66
J. Remplacement du ressort d'alimentation .....	66

### 6 Guide de l'installateur

A. Design, installation et emplacement.....	67
B. Le Tirage.....	67
C. Pression négative .....	67
D. L'emplacement de l'appareil et de la cheminée.....	68
E. Vérifiez l'appareil et les pièces .....	68
F. Outils et fournitures nécessaires .....	68

### 7 Dimensions et espacement

A. Dimensions de l'appareil.....	69
D. Espacement de l'appareil (UL and ULC).....	70
E. Exigences pour le protege plancher .....	71

### 8 Informations sur les événements

A. Raccordement de la cheminée et du conduit de sortie .....	72
B. Exigences pour le couronnement .....	72
C. Ventilation pour granules.....	73

### 9 Systèmes de ventilation

A. Vertical – Intérieur – Installation Typique .....	74
C. Verticale dans une cheminée Catégorie A.....	74
B. À travers le mur et verticale – Extérieur .....	74
D. Maçonnerie.....	75
E. Maçonnerie Autre.....	75
F. À travers le mur .....	76

### 10 Maison mobile

A. Installation maison mobile .....	77
-------------------------------------	----

### 11 Préparation de l'appareil

A. Instructions kit air extérieur .....	78
B. Mettre l'appareil en marche .....	78

### 12 Dépannage

### 13 Matériel de référence

A. Les pièces.....	82
B. Schéma de câblage .....	83
C. Pièces de rechange.....	84
D. Journal de maintenance et de maintenance.....	85
E. Garantie de 5 années .....	87

Anglais Manual.....	1
Espanol Manual.....	89

## AVERTISSEMENT

Lisez les instructions et demandez les services d'un professionnel expérimenté et compétent qui pourra faire une installation sécuritaire si n'avez pas la certitude de pouvoir faire un travail de qualité égale au travail d'un professionnel compétent. Ne faites pas une installation incomplète ou temporaire.

### AVANT L'INSTALLATION DE VOTRE APPAREIL

1. Contactez le directeur de la construction pour vous informer au sujet du code du bâtiment—un permis est peut-être requis.
2. Utilisez un réseau de ventilation de 7,62cm ou 10,16cm (76 à 102mm) de diamètre de type «L» ou «PL». La ventilation peut se faire verticalement ou horizontalement. Des adaptateurs approuvés peuvent être utilisés pour raccorder les pièces «L» ou «PL» à un réseau de ventilation de poêle à bois approuvé tel que le réseau à paroi simple ou double d'un poêle à bois. L'ESPACEMENT DU RÉSEAU DE VENTILATION DOIT ÊTRE CONFORME AUX EXIGENCES DU FABRICANT.
3. Il faut toujours raccorder cet appareil à une cheminée approuvée et ne JAMAIS ventiler vers une autre pièce ou à l'intérieur d'un bâtiment.
4. N'INSTALLEZ PAS UN REGISTRE DE TIRAGE CLAPET DANS LE CONDUIT DE SORTIE DE CET APPAREIL.
5. NE RACCORDEZ PAS CET APPAREIL À UN CONDUIT DE FUMÉE UTILISÉ AVEC UN AUTRE APPAREIL.
6. Le tuyau de raccordement et la cheminée doivent être vérifiés périodiquement, et nettoyés si nécessaire. Consultez la section sur l'entretien dans ce manuel du propriétaire.
7. Il faut tenir compte de l'espacement nécessaire lors de l'installation de meubles ou d'autres objets, y compris les objets sensibles à la chaleur, par ex. des chandeliers, décorations et draperies. NE PLACEZ PAS DU BOIS, DES LIQUIDES INFLAMMABLES OU D'AUTRES MATIÈRES COMBUSTIBLES PRÈS DE L'APPAREIL.
8. Il faut tenir compte de l'espacement lors de l'installation. Vérifiez l'étiquette à l'arrière de l'appareil pour connaître l'espacement requis.
9. Contactez votre service régional ou provincial de protection contre l'incendie pour savoir comment agir en cas d'incendie de cheminée. Préparez un plan d'action en cas d'incendie de cheminée. S'il y a un incendie de cheminée : APPELEZ LE SERVICE DES POMPIERS.
10. Assurez-vous d'avoir enlevé la quincaillerie de la chambre de combustion avant d'utiliser l'appareil la première fois.

## IMPORTANT

Nous vous recommandons fortement de faire installer le poêle à granules et la cheminée par un installateur qualifié. Un installateur qualifié est une personne ou une entreprise qui installe régulièrement des appareils à combustible solide et des cheminées dans ses activités commerciales courantes.

### AVERTISSEMENT



**Il pourrait avoir un incendie causant du dommage matériel, des blessures corporelles ou la mort si vous ne suivez pas rigoureusement les instructions.**

- N'utilisez pas et ne placez pas de l'essence ou d'autres liquides inflammables près de cet appareil ou d'autres appareils. Il ne doit pas aussi avoir de vapeur inflammable.
- N'augmentez pas trop la chaleur. Une lueur sur le poêle ou les raccordements de cheminée signifie que la chaleur est excessive. Le surchauffage annule la garantie.
- Tel qu'indiqué, respectez toutes les exigences en matière d'espacement. Le non-respect des espacements minimums des combustibles peut causer un incendie de maison.

### AVERTISSEMENT



#### **SURFACES CHAUDES !**

La vitre et les autres surfaces sont chaudes durant l'utilisation ET il faut attendre le refroidissement.

#### **La vitre chaude cause des brûlures.**

- Ne touchez pas la vitre avant qu'elle se refroidisse
- Ne laissez JAMAIS les enfants toucher la vitre
- Gardez les enfants à distance
- SURVEILLEZ ATTENTIVEMENT les enfants quand ils sont dans la pièce où se trouve le foyer
- Avertissez les enfants et les adultes au sujet des dangers des températures élevées

#### **Les températures élevées peuvent enflammer les vêtements et les matières inflammables.**

- Gardez à distance les vêtements, meubles, draperies et les autres matières inflammables.

### AVERTISSEMENT



#### **Risque de feu.**

Testé et approuvé pour les granules de bois. La garantie sera annulée si d'autres combustibles sont utilisés.



# 1 Référencement et codes d'approbation

## A. Homologation de l'appareil

Séries :	PH35PS, PH50PS, PH50CABPS
Laboratoire :	Intertek
No de rapport	10072262PRT-001
Type:	Appareil de chauffage pour pièce à combustible solide/granules
Norme:	ASTM E1509-04 et ULC S627-00, ULC/ORD-C1482-M1990 Appareil de chauffage à granules pour pièce et (UM) 84-HUD Approuvé maison mobile.

**NOTE :** L'installation doit être conforme au code du bâtiment de votre région. S'il n'y a pas de code du bâtiment vous devez vous conformer à : **ASTM E1509-04, ULC S627-00, (UM) 84-HUD.**

Ce système de chauffage Quadra-Fire Pleasant Hearth Pellet respecte les limites d'émission de l'Agence pour la protection environnementale concernant les chauffages à granulés vendus après le 15 mai 2015.

Ce chauffage à granulés nécessite des inspections ou réparations périodiques pour un fonctionnement adéquat. Ne pas utiliser de chauffage à granulés selon les directives du présent manuel, contrevient aux réglementations fédérales.

## B. Approuvé pour les maisons mobiles

- Cet appareil est approuvé pour l'installation dans une maison mobile, mais ne doit pas être installé dans une chambre à coucher. Il faut utiliser une prise d'air extérieur. (une bouche de sortie d'air)
- Il faut s'assurer de la solidité structurale de la maison mobile, soit la solidité des planchers, plafonds et des murs.
- Il faut utiliser un fil de mise à la terre de cuivre n°8 et relier l'appareil à l'ossature de la maison mobile. Il faut seulement utiliser un tuyau de raccordement à double paroi répertorié.
- *Le kit de prise d'air frais fourni avec l'appareil doit être installé dans une maison mobile.*

**Note:** L'appareil est aussi approuvé pour l'installation dans un atelier.

## C. Caractéristiques de la vitre

Il y a une vitre de céramique de 5mm sur cet appareil. Il faut seulement la remplacer avec une vitre de céramique de 5mm. Veuillez, s'il vous plaît, contacter GHP pour le remplacement.

## D. Charge électrique (température élevée)

**PH35PS Série :** 115 VAC, 60 Hz, Start 2.6 Amps, Run 0.9 Amps

**PH50PS Série :** 115 VAC, 60 Hz, Start 2.6 Amps, Run 0.9 Amps

**PH50CABPS Série :** 115 VAC, 60 Hz, Start 2.6 Amps, Run 0.9 Amps

## E. BTU & Efficacité

\*Les BTU varieront en fonction de la marque de combustible utilisé dans l'appareil.\*\*La capacité de chauffage est fonction du climat, de la structure, de l'isolation, des fenêtres, etc.

	PH35	PH50 PH50CAB	
N° de certification EPA :	907	904	
EPA, Émissions certifiées :	0,3	0,7	grammes/heure
*PCI, Efficacité testée :	S.O.	S.O.	%
**PCS, Efficacité testée :	83,8	84,4	%
***EPA, Sortie en BTU :	9600 à 25 000	9300 à 32 400	par h.
****Entrée en BTU :	12 900 à 34 400	12 500 à 43 900	par h.
Taille du conduit :	« L » ou « PL » de 7,6 ou 10,2 cm (3 ou 4 po)		
Capacité de la trémie :	40 (18)	80/120 (36,3/54,4)	kg (lb)
Combustible	Granulés de bois		
* Une efficacité PCI moyenne pondérée est calculée avec les données obtenues pendant les tests d'émission de l'EPA.			
**Une efficacité PCS moyenne pondérée est calculée avec les données obtenues pendant les tests d'émission de l'EPA.			
***Plage d'émission de BTU basée sur l'efficacité par défaut de l'EPA et les taux de combustion des résultats bas et élevés des tests EPA.			
****Basé sur le taux d'alimentation maximal par heure, multipliée par environ 8600 BTU, ce qui représente la moyenne en BTU de 2,2 kg (1 lb) de granulés.			

**AVERTISSEMENT ! Risque de feu ! GHP se dégage de toute responsabilité et la garantie sera annulée dans les circonstances suivantes:**

### IL NE FAUT PAS:

- Installer ou utiliser un appareil endommagé
- Modifier l'appareil
- Installer l'appareil sans suivre les instructions du fabricant
- Utiliser l'appareil si les pièces ne sont pas complètement assemblées
- Surchauffer
- Installer des pièces qui ne sont pas approuvées par le fabricant
- Installer des pièces ou des composants qui ne sont pas approuvés ou répertoriés
- Désactiver l'interrupteur de sécurité

*Une installation inadéquate, un ajustement, une modification, une réparation ou un entretien peuvent causer des blessures ou des dommages matériels. Consultez un installateur qualifié ou un centre de réparation qualifié, ou votre marchand pour obtenir de l'aide ou de l'information additionnelle.*

# 2 Information Générale

## A. Sécurité-incendie

L'information suivante est importante. Il faut en tenir compte par mesure de sécurité-incendie:

- Installez au moins un détecteur de fumée sur chaque étage de votre maison.
- Installez des détecteurs de fumée près des chambres à coucher plutôt qu'à proximité de l'appareil.
- Suivez les instructions du fabricant du détecteur de fumée lors de l'installation et assurez-vous régulièrement qu'il est en bon état de fonctionnement.
- Installez au moins un détecteur de monoxyde de carbone à chaque étage de la maison.
- Suivez les instructions du fabricant du détecteur de monoxyde de carbone quant à l'emplacement et l'installation, puis effectuez un entretien régulier.
- Installez un extincteur d'incendie de catégorie A pour éteindre des petits feux.
- S'il y a un incendie de trémie:
  - Sortez de la maison immédiatement.
  - Appelez les pompiers.

## B. Matériel Combustible/incombustible

- **Matériel combustible**  
Les objets (les matériaux) de bois ou avec des surfaces de bois, le papier comprimé, les fibres végétales, les plastiques et tous les autres matériaux qui peuvent prendre feu et brûler qu'ils soient résistants au feu ou non résistants au feu, en plâtre ou pas en plâtre.
- **Matériel incombustible**  
Les objets (les matériaux) qui ne peuvent pas prendre feu et brûler. Il s'agit des choses composées entièrement de fer, d'acier, de briques, de tuiles, d'ardoise, de verre et de plâtre ou une combinaison de ces derniers.
- **Scellant incombustible**  
Les scellants qui ne prennent pas feu et qui ne brûlent pas: Rutland inc. Fireplace Mortar No63, Rutland 76R, Nuflex 304, GE RTV106 ou GERTB116 (ou l'équivalent).

### AVERTISSEMENT

Ce produit et les combustibles utilisés pour le faire fonctionner (charbon ou bois), de même que les produits de leur combustion, peuvent vous exposer à des substances chimiques comme le noir de carbone, reconnu par l'État de la Californie comme causant le cancer, ou le monoxyde de carbone, reconnu par l'État de la Californie comme causant des anomalies congénitales ou d'autres problèmes de reproduction.

Pour plus de renseignements, visitez le [www.p65Warnings.ca.gov](http://www.p65Warnings.ca.gov)

## C. Le combustible et son rangement

La qualité des granules de bois peut beaucoup varier. Nous vous recommandons, lorsque c'est possible, d'en acheter plusieurs tonnes. Essayez plusieurs marques avant d'en acheter plusieurs tonnes afin d'assurer votre satisfaction.

### Matériaux combustibles

- Fait avec des produits du bois ou des sciures de bois
- La teneur en cendre peut être élevée ou faible cela dépend de la matière brute.

### Teneur plus élevée en cendre

- Bois dur avec beaucoup de minéraux
- Combustible avec écorce
- Granules de catégorie régulière ou granules avec beaucoup de cendres

### Teneur plus faible en cendre

- La plupart des bois mous
- Combustibles avec peu de minéraux
- La plupart des granules de première qualité

### Mâchefers

Les minéraux et d'autres substances incombustibles, par ex. le sable se transformeront lorsque chauffés en substances dures qui ressemblent à de la vitre. Cela s'appelle le mâchefer.

La quantité de minéraux dans les arbres varie selon l'endroit d'où proviennent les arbres. C'est pour cette raison qu'il y a parfois plus de mâchefers.

### Humidité

Il faut toujours utiliser un combustible sec. Un combustible humide dégage moins de chaleur et chauffe moins bien votre maison. Les granules humides peuvent boucher le système d'alimentation.

### Dimension

- Les granules ont un diamètre de 6 à 8mm
- La longueur maximale des granules ne doit pas excéder 38mm
- La longueur des granules peut varier d'un lot à l'autre même si elles proviennent d'un seul fabricant.
- Il faudra peut-être parfois ajuster la vitesse d'alimentation à cause des différentes longueurs.

### Rendement

- Il faut vider le foyer et le tiroir de cendres plus fréquemment lorsqu'il y a plus de cendres.
- Il faut plus d'air pour brûler du bois dur.
- Les granules de première qualité dégagent plus de chaleur.
- Les granules de plus de 38mm peuvent nuire à la fréquence d'alimentation et/ou à l'allumage.

### Rangement

- Il faut laisser les granules de bois dans leur sac scellé jusqu'à leur utilisation pour chasser l'humidité.
- Il ne faut pas ranger les granules à l'intérieur de la zone de sécurité ou dans un endroit qui pourrait nuire à l'entretien.

## D. Avant votre premier feu

1. Assurez-vous premièrement que votre appareil est bien installé et assurez-vous d'avoir respecté toutes les règles de sécurité. Accordez une attention particulière à la protection contre les incendies et la ventilation.
2. Assurez-vous que le foyer sont vides!
3. Fermez la porte avec le loquet.

# 3 Instructions Générales D'exploitation

## A. Bouton de réglage

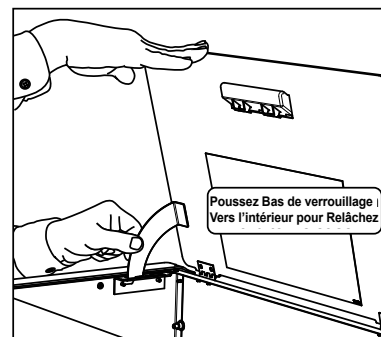
Il y a un bouton de réglage sur l'appareil. Il y a quatre réglages: le côté de

1. Fermé: L'appareil cessera de fonctionner lorsque le bouton de réglage est à la position Fermé, mais recommencera à fonctionner lorsque l'appareil sera à l'un des trois autres réglages. Le voyant vert à DEL clignotera une fois par seconde au réglage fermé.
2. MIN: L'appareil fonctionnera à basse température lorsque le bouton de réglage est à Min (petite flamme sur l'étiquette) et continuera de fonctionner jusqu'à ce que la trémie se vide des granules ou lors d'un changement de réglage. Le voyant DEL de couleur ambre sera constamment allumé. Il faut fermer l'appareil au moins une fois par jour lorsqu'il fonctionne à ce réglage afin de le nettoyer. Il faudra peut-être le fermer plus souvent chaque jour lorsqu'on utilise un combustible de moindre qualité.
3. MAX: Similairement au réglage MIN, l'appareil fonctionnera sans arrêt à une température élevée, et ce, jusqu'à l'épuisement du combustible ou lors d'un changement de réglage. Pour utiliser ce réglage, tournez complètement le bouton dans le sens des aiguilles d'une montre jusqu'à son blocage, soit devant la grosse flamme. Le voyant à DEL de couleur ambre sera constamment allumé. Suivez les instructions de nettoyage quotidien dans ce mode de fonctionnement.
4. AUTO: Positionnez le bouton de réglage à la température désirée pour utiliser le mode Automatique. Le mode de fonctionnement automatique ajuste le réglage de la température en fonction de la température ambiante de la pièce. Cela signifie que l'appareil fonctionnera à la température élevée si l'écart entre la température ambiante et la température désirée est supérieur à 8 degrés fahrenheit. Le taux de combustion diminuera automatiquement lors du réchauffement de la pièce, et la diminution de l'écart de température. L'appareil cessera de fonctionner lorsque la température désirée sera atteinte. L'appareil recommencera à fonctionner lorsque la pièce se refroidira. Le voyant à DEL sera vert et clignotera dans ce mode de fonctionnement. La quantité de clignotements verts correspond au taux de combustion.




## B. Remplissage de la trémie

Ouvrez lentement le couvercle de la trémie avec la poignée. Il y a un levier de blocage sur les appareils de moyenne et de grosse dimension qui se bloque lorsque le couvercle est complètement ouvert. Le couvercle de la trémie du cabinet reste ouvert automatiquement à un angle de plus à 90 degrés. Remplissez la trémie de combustible. **UTILISEZ SEULEMENT DES GRANULES DE BOIS.** Fermez lentement le couvercle de la trémie (voir l'illustration ci-dessous pour dégager le levier). NOTE: L'appareil ne sera pas alimenté si le couvercle est ouvert, et le feu s'éteindra.

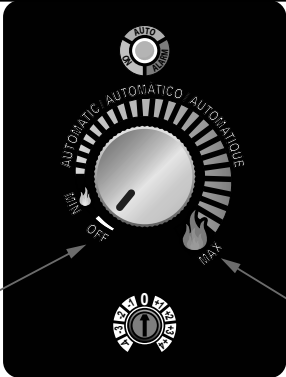


# 3 Instructions Générales D'exploitation

## C. Amorcer le tube d'alimentation (suite)

 **ARRÊTEZ! Veuillez lire avant de tenter la fonction Prime**


Lors de la tentative de la fonction Prime, il est **NÉCESSAIRE** de faire fonctionner la commande de cadran **RAPIDEMENT** en un seul mouvement de fluide. Si cela n'est pas effectué correctement, l'appareil ne s'amorce pas.



C'est la position de la commande de numérotation lors du démarrage de la fonction de début.

Il s'agit de la position de la commande de cadran lors de la fin de la fonction principale.

Le tube d'alimentation peut ne nécessiter d'amorçage que si la trémie est remplie pour la première fois ou si l'appareil n'a plus de pellets. Pour amorcer l'appareil, tournez la molette **RAPIDEMENT** de la position OFF à la position HI, à OFF à HI en un mouvement fluide. La lumière LED sera une couleur verte solide pour indiquer une fonction de premier choix réussie. Lorsque le moteur d'alimentation fonctionne en continu, la lumière LED sera une couleur verte solide. Lorsque les pastilles commencent à tomber dans la cheminée, le tube d'alimentation est amorcé. Tournez la commande de cadran à la position désirée et l'appareil commencera sa séquence d'allumage avec un voyant vert clignotant. Laissez l'appareil jusqu'à 20 minutes pour que l'allumage se produise.

 **PRUDENCE**

Ne redémarrez pas ou ajoutez manuellement des pastilles ou tout autre type de carburant dans le pot de combustion pendant ce processus.

Si l'appareil ne s'enflamme pas, le voyant DEL clignotera quatre fois en rouge indiquant une alarme d'allumage manquée. Éteignez l'appareil et retirez et videz le pot de feu.

Remettez la casserole sur l'appareil dans l'orientation correcte. Reportez-vous à la figure de la section Nettoyage de la cuve d'incendie dans la section Entretien général du manuel d'utilisation, sous Entretien et entretien de l'appareil.

Tentative de séquence de relighting (voir Guide d'instructions d'éclairage).

## D. Pot de feu Burn Down


L'une des caractéristiques de ces poêles à granulés est le cycle de brûlage complet du creuset de combustion. La fréquence de ce cycle est d'une fois par heure où le poêle brûle. Pendant ce temps, l'alimentation est réduite à son plus bas réglage et le ventilateur de tirage s'élève à son réglage le plus élevé. L'utilité de cycle de brûlage complet est d'aider à retirer les débris du creuset de combustion et aider au brûlage le plus efficace possible de l'unité. Ce cycle dure 99 secondes. Veuillez prendre note que cette étape ne remplace pas les activités quotidiennes de nettoyage, mais les rend plus faciles.

## E. Éteindre

Tournez le bouton de réglage dans le sens inverse des Pour arrêter l'appareil, tournez la molette dans le sens antihoraire jusqu'à la position OFF. Pendant le processus d'arrêt, la LED clignote en orange ou en vert rapidement, tout comme la séquence d'allumage. Le cycle de brûlage de la cheminée commence mais sans que le moteur d'alimentation ne tourne. L'alimentation sera terminée pendant ce processus d'arrêt. Les ventilateurs d'échappement et de convection restent allumés pendant le processus d'arrêt jusqu'à ce que l'échappement ait refroidi.

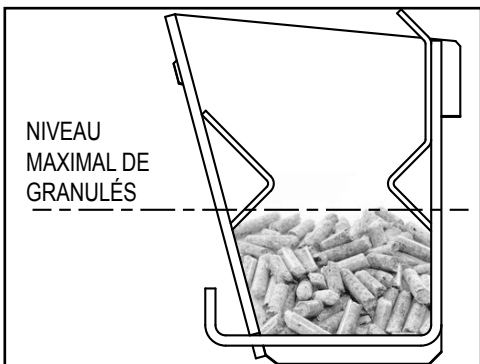
Veuillez faire preuve de prudence si vous voulez faire l'entretien ou le nettoyage quotidien après l'arrêt puisque des pièces, notamment celles à l'intérieur du foyer peuvent encore être chaudes.

**Veuillez noter que la procédure d'arrêt continuera même si le bouton de réglage est déplacé, par inadvertance, de la position Fermé à Ouvert.**

 **ATTENTION**

**UNE POMPE À FEU SUPÉRIEURE À LA DEMI-PLINE EST REMPLACÉE ET PEUT ÊTRE DANGEREUSE. NE PAS REMPLIR LE POUSSOIR D'INCENDIE POUR L'ALLUMAGE.**

Le remplissage excessif de la cheminée pourrait provoquer une inflammation dangereuse entraînant des blessures ou des dommages. Le pot de feu doit être vidé.



# 3 Instructions Générales D'exploitation

## F. Votre premier feu

1. **Mettez le bouton de réglage à «Fermé».**
2. **Soyez certain que le foyer est propre et sans aucun débris.**
3. **Branchez l'appareil et remplissez la trémie de granules de bois. Fermez le couvercle de la trémie.**
4. **Mettez le bouton de réglage à la température désirée.**

L'appareil commencera l'allumage suivi de la mise en marche. Le clignotement rapide du voyant vert à DEL résulte de ce processus. Le ventilateur d'aspiration et l'allumeur s'allument, et le moteur de l'alimenteur fonctionne en deux étapes lors de la séquence d'allumage. Lors de la première étape, le moteur de l'alimenteur fonctionne sans arrêt pendant approximativement une minute afin de précharger les granules dans l'appareil. Et après un laps de temps, le moteur de l'alimenteur s'allumera et s'éteindra. Il n'est pas rare de constater que le foyer se remplit de fumée lorsque les granules se réchauffent et s'apprêtent à prendre feu. La fumée devrait se dissiper rapidement lorsque le feu s'allume. Il ne faut pas ouvrir la porte à ce moment –là. Et il ne faut pas ouvrir la porte pendant que le feu brûle. Ce processus continue jusqu'à ce que l'appareil détecte l'allumage dans la température d'aspiration ou lors de l'arrêt de l'appareil. L'appareil commence à s'alimenter graduellement d'autres granules après l'allumage pour raviver le feu, et ce, pendant quelques minutes. Une mise en marche bien contrôlée est importante et améliore l'efficacité de l'appareil.

## G. Le Feu

La hauteur des flammes variera à cause de quelques facteurs. Premièrement, la dimension des flammes varie selon le type de combustible ou le lot de combustible. Deuxièmement, elles varient car l'appareil compare constamment la chaleur que dégage le feu et le degré de chaleur réglé. Par conséquent, l'appareil ajuste le taux de combustion et les réglages en fonction de la température choisie. Cela ne devrait pas alarmer. Le troisième facteur est relié à l'entretien et au nettoyage. Un mauvais entretien ou un entretien infrequent nuira à l'efficacité. Des flammes peu vives, de la saleté dans la vitre, des granules qui ne brûlent pas ou des granules qui tombent à côté du foyer veulent dire qu'un entretien plus intensif est requis. Consultez la section sur l'entretien pour plus d'info.

### Avertissement

- Odeurs et émanations lors de la première utilisation
- Séchage de la peinture résistant à la chaleur
  - Ouvrez les fenêtres pour aérer
- Les odeurs peuvent irriter certaines personnes.

### 3 Instructions Générales D'exploitation

#### Avertissement



##### **SURFACES CHAUDES!**

La vitre et d'autres surfaces sont chaudes durant l'utilisation et le refroidissement.

##### **La vitre chaude cause des brûlures.**

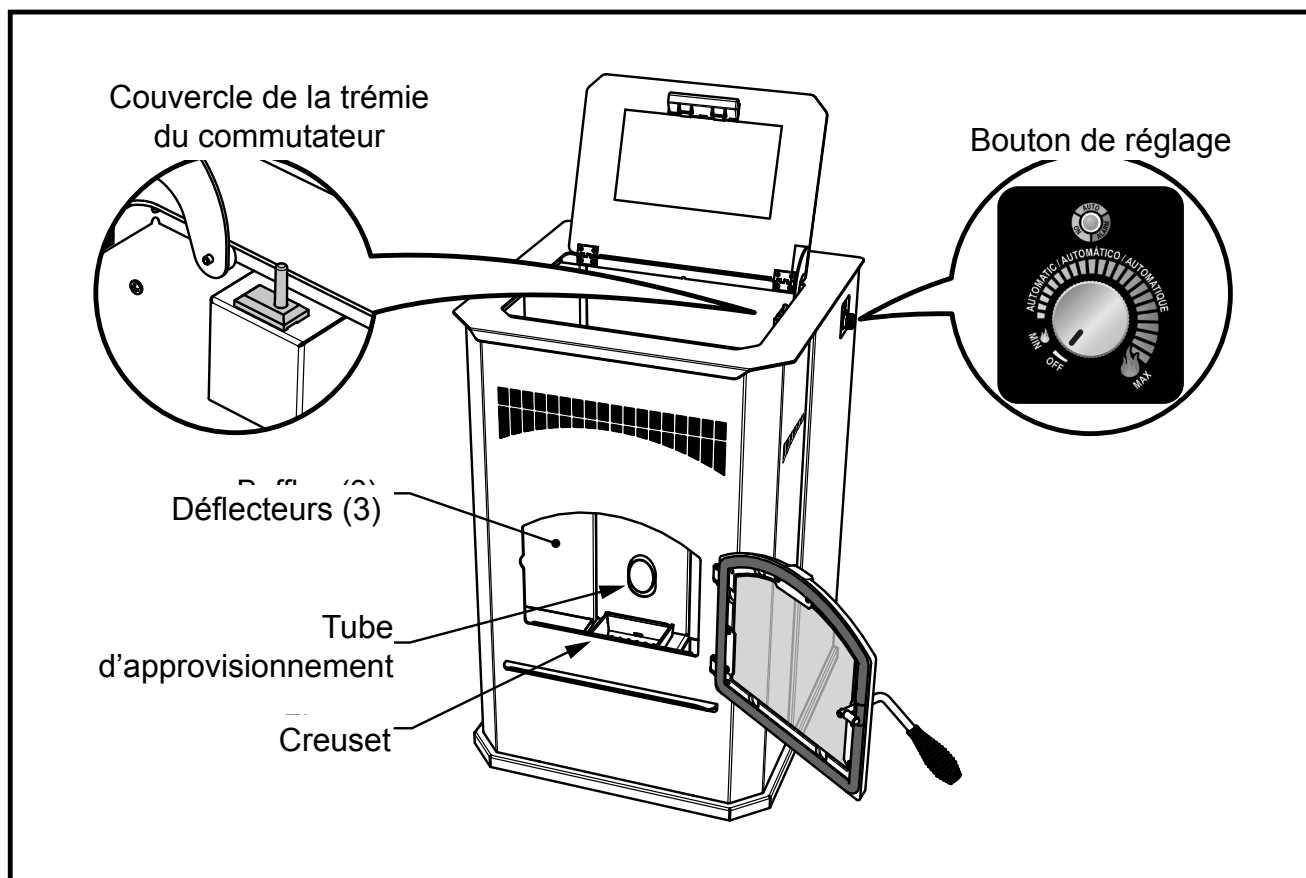
- **Ne Touchez pas** à la vitre avant le refroidissement.
- **Ne laissez jamais** les enfants toucher la vitre.
- **Gardez** les enfants à distance.
- **SURVEILLEZ ATTENTIVEMENT** les enfants quand ils sont dans la pièce où se trouve l'appareil.
- Informez les enfants et les adultes des dangers des températures élevées.

##### **Les températures élevées peuvent enflammer les vêtements et les matières inflammables.**

- Gardez à distance les vêtements, meubles, draperies et les autres matières inflammables.

**Avertissement:** Nous vous recommandons d'installer un écran protecteur comme un pare-feu décoratif si vous pensez que des enfants iront à proximité de l'appareil. Demandez des suggestions à l'installateur.

#### H. Instructions Générales pour votre appareil à granules



# 3 Instructions Générales D'exploitation

## I. Tableau des codes de couleur DEL et explications

LED couleur	Nombre de clignotements entre les pauses	Description	Remarques
Vert	Constamment allumé (temps max. 2 minutes)	Le moteur de l'alimenteur fonctionne constamment (Cela amorce le tuyau d'alimentation).	Lorsque vous amorcez le mécanisme d'alimentation et remplissez le foyer: <b>NE REMPLISSEZ PAS TROP LE FOYER POUR L'ALLUMAGE.</b> L'appareil se mettra automatiquement en mode démarrage après l'amorçage.
Vert	1x	L'appareil est éteint et prêt	Suivez les étapes de démarrage pour faire fonctionner l'appareil.
Vert	Clignote continuellement	L'appareil est en mode démarrage/allumage ou en mode arrêt.	Lors de l'arrêt, les ventilateurs s'éteindront quand la température des gaz d'échappement refroidira.
Vert	Varie	En mode automatique, le nombre de clignotement indique le taux de combustion (1 à 5) 1 pour bas et 5 pour élevé.	Utilisez le bouton de réglage pour obtenir la température désirée.
Ambre	Constamment allumé	L'appareil fonctionne soit au minimum ou au maximum.	L'appareil s'éteint seulement quand il n'y plus de combustible dans la trémie ou lorsqu'on utilise le bouton de réglage pour modifier le mode de fonctionnement, ou lorsque l'appareil détecte une erreur.
Ambre	Clignote continuellement	L'appareil est dans la séquence d'arrêt.	Lors de l'arrêt, les ventilateurs s'éteindront lorsque la température d'échappement aura refroidi.
Rouge	1x	Alarme videz la trémie	Cette alarme s'active quand le feu s'éteint à cause d'un manque de combustible. (Consultez la section dépannage pour plus d'info.)
Rouge	2x	Alarme sonde ventilateur	Erreur: pièce défectueuse (Consultez la section dépannage pour plus d'info).
Rouge	3x	Alarme sonde ambiante	Erreur: pièce défectueuse (Consultez la section dépannage pour plus d'info).
Rouge	4x	Allumage raté	Il y a 2 essais par séquence d'allumage. Cette erreur se produit quand il n'y a pas d'augmentation de la température d'échappement après 2 essais. (Consultez la section dépannage pour plus d'info et correction).
Rouge	8x	Alarme température trop élevée gaz de combustion	La température d'échappement est supérieure à la limite permise. (Consultez la section dépannage pour plus d'info et correction).



### Avertissement



Risque de feu

N'utilisez PAS l'appareil :

- Si la porte est ouverte.
- S'il y a une ouverture dans le plancher du foyer.

Ne rangez PAS le combustible:

- dans la zone de sécurité qui sépare le combustible de l'appareil.
- dans l'espace réservé pour mettre et enlever les cendres.

# 3 Instructions Générales D'exploitation

## J. Cycle d'allumage

1. Il est normal de voir de la fumée dans le foyer au début du cycle d'allumage. La fumée se dissipera lorsque le feu s'allumera.
2. Le ventilateur de convection se met en marche automatiquement lorsque l'appareil fonctionne depuis approx. 10 minutes.

Ce ventilateur souffle la chaleur de l'appareil dans la pièce et continue de fonctionner lorsque l'appareil est éteint. Il s'éteint au refroidissement de la température d'échappement.

3. L'appareil peut parfois manquer de combustible et s'éteindre. L'alarme se déclenchera pour signaler que la trémie est vide.

## K. Mode Minimum ou Maximum

L'appareil continue de fonctionner peu importe la température de la pièce quand le bouton de réglage est à minimum ou maximum. L'appareil cesse de fonctionner seulement quand le bouton de réglage est à une autre position ou lorsqu'il y a une erreur, par ex. la trémie est vide.

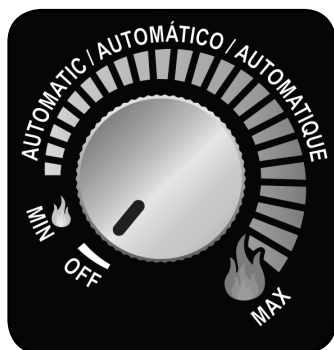
Il est important de faire le nettoyage quotidien, notamment le nettoyage de la chambre de combustion lorsque l'appareil fonctionne à minimum ou maximum. L'efficacité de l'appareil sera réduite sans nettoyage.

## L. Mode de fonctionnement Automatique

L'appareil ajustera le taux de combustion en tenant compte de la différence entre la température de la pièce, détectée par la sonde située à l'arrière de l'appareil, et la température sélectionnée avec le bouton de réglage.

La température de confort se situe entre 18 degrés Celsius et 28 degrés Celsius.

L'appareil s'éteint automatiquement lorsque la température de confort est atteinte. L'appareil se remet en marche automatiquement quand la température de la pièce est 3 degrés inférieurs à la température désirée.



## M. Espacement

**AVERTISSEMENT ! RISQUE D'INCENDIE ! NE METTEZ PAS des objets inflammables devant ou à côté de l'appareil. LES VÊTEMENTS, MEUBLES ET LES DRAPERIES PEUVENT S'ENFLAMMER.**

**Manteau:** Ne mettez pas des chandelles et d'autres objets sensibles à la chaleur sur le manteau ou l'âtre puisque la chaleur peut les endommager.

**Avertissement:** Seule l'autorité réglementaire ayant juridiction peut autoriser une réduction de l'espacement.

**AVERTISSEMENT ! RISQUE DE FEU !** Gardez à distance le matériel combustible, l'essence et les autres liquides inflammables ainsi que les vapeurs inflammables.

- Ne rangez PAS du matériel inflammable près de l'appareil.
- N'utilisez PAS de l'essence, de l'huile à lampe, du kérosène, de l'allume-barbecue ou des produits similaires pour allumer le feu ou pour « attiser » le feu de cet appareil.

Rangez ces combustibles très loin de l'appareil pendant son utilisation pour empêcher un feu.

## N. Réglage de compensation

Le petit cadran situé sous la commande du cadran principal est utilisé pour ajuster la quantité d'air de combustion pour le feu. Vous devrez peut-être ajuster l'air de combustion au feu pour:

- Élévation
- Ventilation / Installation des configurations
- Qualité du carburant


Si votre feu est trop grand, paresseux, ou produisant de la suie noire, vous avez besoin de PLUS d'air. Pour augmenter la quantité d'air de combustion, tournez dans le sens antihoraire un niveau à la fois et laissez 15 minutes pour la stabilisation avant d'effectuer un autre réglage. Si votre feu est trop petit et qu'il s'éteint parfois lorsqu'il y a des pellets dans la trémie, il se peut que vous ayez trop d'air (trop maigre). Pour réduire la quantité d'air de combustion, tournez-le dans le sens horaire d'un niveau à la fois et attendez 15 minutes avant de procéder à un autre réglage.





# 4 L'entretien et la réparation de votre appareil

## A. Arrêt Convenable Procédure

<b>⚠ CAUTION</b>	
	<p><b>Danger d'électrocution et de suffocation</b></p> <ul style="list-style-type: none"> <li>• Mettez le bouton de réglage à ARRÊT, attendez que l'appareil se refroidisse complètement et que le ventilateur d'aspiration cesse de fonctionner. Vous pouvez maintenant débrancher l'appareil pour l'entretien.</li> <li>• La fumée peut s'échapper dans la pièce si l'appareil n'est pas refroidi avant le débranchement.</li> <li>• Risque d'électrocution si l'appareil n'est pas débranché avant l'entretien.</li> </ul>

**Suivez les instructions détaillées telles quelles sont décrites dans le tableau ci-après**

## B. Guide éclair pour le nettoyage et l'inspection

Nettoyage ou inspection	Fréquence		Quotidien	Hebdomadaire	Mensuel	Annuel
Foyer	À chaque 3 sacs de combustible	OU	X			
Enlevez les cendres du foyer	À chaque 5 sacs de combustible ou plus souvent s'il y a plus d'accumulation de cendres	OU		X		
Vitre	Quand il est difficile de voir clairement le foyer	OU		X		
Trémie	À chaque 25 sacs de combustible	OU			X	
Sortie d'échappement, tube d'arrivée profond et derrière les déflecteurs	À chaque 25 sacs de combustible ou plus souvent s'il y a plus d'accumulation de cendres	OU			X	
Vérification de la poignée de porte et joint d'étanchéité	Avant la saison d'utilisation	OU			X	
Ventilateur, convection	À chaque 25 sacs de combustible ou plus souvent si le lieu d'utilisation le nécessite	OU			X	
Ventilateur, aspiration	Plus souvent dépendamment du type de combustible utilisé	OU				X
Foyer (préparation pour la saison d'inutilisation)	À la fin de la saison de chauffage	OU				X
Système de ventilation	À chaque 3 tonnes ou plus souvent dépendamment du type de combustible	OU				X

**AVERTISSEMENT:** Il s'agit de recommandations. Nettoyez plus souvent si les cendres s'accumulent plus rapidement ou si vous voyez de la suie qui sort des conduits. **Votre garantie sera annulée si vous ne nettoyez pas correctement votre appareil régulièrement.**

# 4 L'entretien et la réparation de votre appareil

## C. Entretien général

### 1. Type de combustible

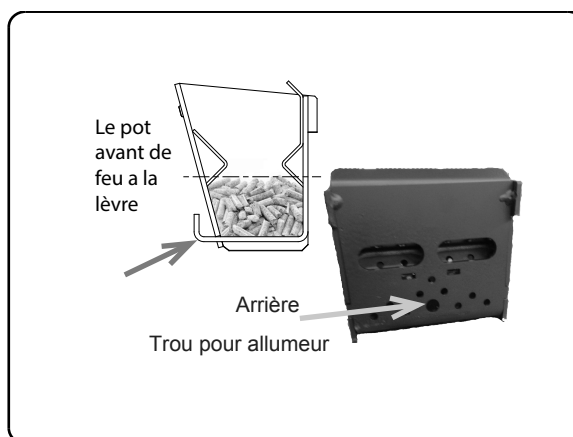
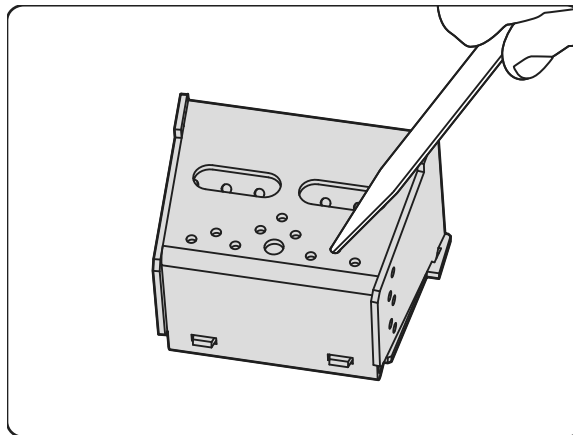
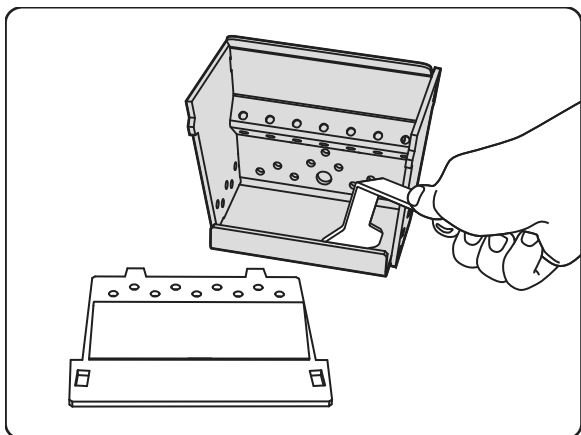
Le type de carburant que vous brûlez déterminera la fréquence à laquelle vous devrez nettoyer votre pot de combustion.

Si le combustible que vous brûlez a une forte teneur en poussière ou en cendres, il peut être nécessaire de nettoyer le foyer plus d'une fois par jour.

Un carburant de mauvaise qualité entraînera la formation de clinkers dans le pot de combustion. Un clinker est formé lorsque la saleté, les cendres ou une substance non combustible sont chauffées à 1093 ° C (2000 ° F) et deviennent vitreuses. Voir la section D suivante pour plus de détails sur les carburants à forte teneur en cendres.

### 2. Le nettoyage du foyer avec l'outil de nettoyage pour foyer:

- **Fréquence:** Quotidiennement ou plus souvent, si requis
- **Par qui?:** Le propriétaire de la maison
  - a. L'appareil doit être complètement éteint et refroidit et le ventilateur aspirant fermé. Il n'est pas nécessaire de débrancher l'appareil si vous nettoyez seulement le foyer.
  - b. Ouvrez la porte avant de l'appareil et soulevez le récipient (foyer). Utilisez l'outil de nettoyage du récipient pour dégager les déchets dans le récipient et mettez-les dans un contenant approuvé. Selon la qualité du carburant utilisé, le pot à feu peut être nécessaire de retiré pour un meilleur accès pour le nettoyage.
  - c. Nettoyez les trous du récipient avec le bout étroit de l'outil de nettoyage.
  - d. Nettoyez sous le récipient quand le récipient est enlevé
  - e. Réassemblez le récipient et mettez-le de nouveau sur son support. Assurez-vous que les fentes du récipient sont vers l'arrière. Une installation incorrecte du récipient peut causer des problèmes d'allumage.



### 3. Enlèvement des cendres du récipient

- **Fréquence:** Hebdomadairement ou plus souvent dépendamment de l'accumulation de cendres.
- **Par qui?:** Le propriétaire de la maison
  - a. Il ne doit pas avoir de cendres chaudes dans le foyer durant le nettoyage. Il faut attendre le refroidissement complet de l'appareil. Il faut enlever les cendres du foyer chaque fois que le conduit de ventilation est nettoyé. Le nettoyage fréquent des cendres du foyer ralentira l'accumulation de cendres dans le ventilateur aspirant et le système de ventilation.
  - b. Passez l'aspirateur en haut et en bas ainsi que sur les côtés du foyer. N'oubliez pas de mettre les cendres et les débris dans un contenant de métal ou un contenant incombustible.

# 4 L'entretien et la réparation de votre appareil

## 4. Se débarrasser des cendres

- **Fréquence:** Au besoin
- **Par qui?:** Le propriétaire de la maison

Il faut mettre les cendres dans un contenant de métal muni d'un couvercle hermétique. Il faut mettre le contenant fermé sur un plancher incombustible ou sur le sol et loin des matières combustibles, et ce, jusqu'au moment de son élimination finale.

Il faut que les cendres refroidissent complètement dans le contenant avant de les enterrer sous la terre ou de les disperser sur le sol.



### Avertissement



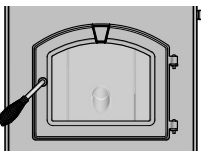
Jeter les cendres

- Il faut mettre les cendres dans un contenant de métal muni d'un couvercle hermétique.
- Il faut que les cendres refroidissent complètement dans le contenant hermétique.

## 5. Nettoyage de la vitre

- **Fréquence:** Lorsqu'il est difficile de voir le foyer
- **Par qui ?:** Le propriétaire de la maison
  - a. L'appareil doit être complètement refroidi avant le nettoyage.
  - b. Passez l'aspirateur sur la vitre et le galet de porte.
  - c. Utilisez un essuie-tout humide ou un nettoyant à vitre non abrasif. Essuyez avec un essuie-tout sec.

### Avertissement



Nettoyez la vitre avec prudence

#### Lors du nettoyage de la vitre (Avertissement)

- Évitez les égratignures et ne claquez pas la porte.
- Ne lavez PAS la vitre lorsqu'elle est chaude.
- N'utilisez PAS des produits nettoyants abrasifs.
- Consultez la section sur l'entretien.
- N'utilisez PAS l'appareil si la vitre est craquée, brisée ou égratignée.

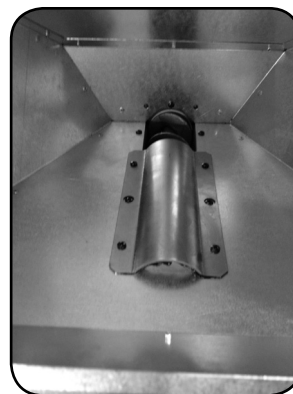
## 6. Nettoyage de la trémie

- **Fréquence:** Chaque mois ou après l'utilisation de 25 sacs de combustible
- **Par qui?:** Le propriétaire de la maison

Il faudra nettoyer la trémie après avoir brûlé approximativement 25 sacs de combustible pour empêcher l'accumulation de sciure.

Un mélange de sciures et de granules dans le fond de la tarière réduit la quantité de combustible fourni au foyer ce qui peut causer des arrêts et des problèmes de démarrage.

- a. L'appareil doit être complètement arrêté. Il faut attendre que l'appareil ait utilisé toutes les granules et attendre qu'il soit refroidi.
- b. Videz les granules de la trémie.
- c. Passez l'aspirateur sur la trémie et sur le tube d'alimentation. Enlevez les quatre vis du couvercle de la tarière qui se trouve à l'intérieur de la trémie pour avoir accès au tuyau d'alimentation.

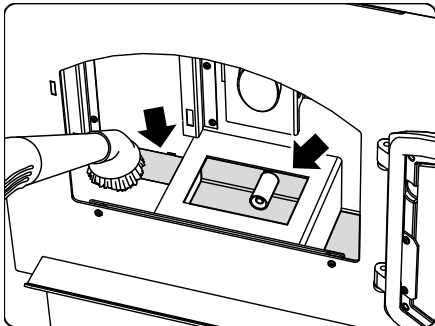
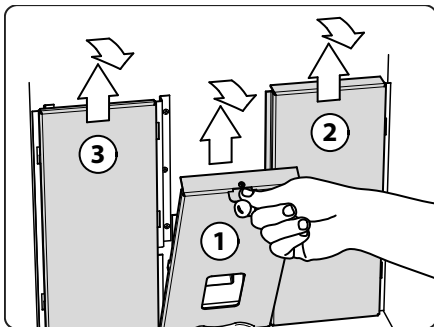


# 4 L'entretien et la réparation de votre appareil

## 7. Nettoyage de la sortie d'échappement, des chicanes, tube de descente

- **Fréquence:** Chaque mois ou à tous les 25 sacs ou plus souvent dépendamment de l'accumulation des cendres.
- **Par qui?:** Le propriétaire de la maison
  - a. L'appareil doit être complètement refroidi.
  - b. Ouvrez la porte et enlevez la chicane au centre et ensuite la chicane droite et la gauche. Passez l'aspirateur en profondeur sur la sortie d'échappement et le tube de descente et le reste du foyer. Passez l'aspirateur sur le devant et l'arrière des chicanes.
  - c. Utilisez une petite brosse pour brosser les parois intérieures de la sortie d'échappement par le trou d'accès dans le foyer. Vous pourrez voir le trou d'accès lorsque la chicane gauche sera enlevée. Dégagez les débris des parois intérieures de la sortie et passez l'aspirateur.

**C'est important puisque la sonde de température d'échappement est attachée sur le côté droit de la sortie d'échappement. L'appareil cessera de fonctionner et/ou des problèmes d'allumage surviendront sans un entretien régulier.**
  - d. Remplacez la chicane gauche et droite et ensuite la chicane du centre. Fermez la porte avec le loquet.



## 8. Inspection de la poignée de porte

- **Fréquence:** Mensuellement ou avant la saison de chauffage
- **Par qui?:** Le propriétaire de la maison

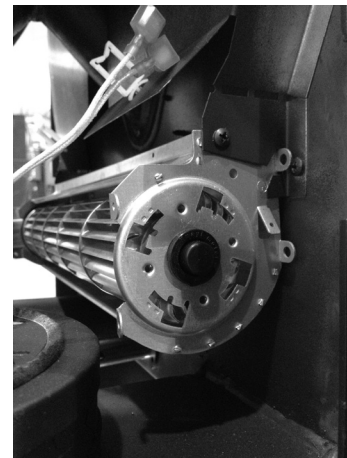
Le joint d'étanchéité entre la vitre et la porte doit être vérifié régulièrement afin de s'assurer de son étanchéité.

**NOTE: GHP recommande l'utilisation d'un aspirateur industriel conçu spécifiquement pour le nettoyage d'appareil à combustible solide.**

## 9. Nettoyage du ventilateur à convection : Aucune lubrification requise

- **Fréquence:** Mensuellement dépendamment de l'accumulation de poussières et de saletés.
- **Par qui?:** Le propriétaire ou un technicien qualifié.
  - a. Soyez certain que l'appareil est débranché et refroidi.
  - b. Enlevez le panneau du côté droit.
  - c. Balayez ou passez l'aspirateur sur les palettes pour les nettoyer. Utilisez, si nécessaire, une brosse ou de l'air comprimé pour enlever la saleté.

Eviter d'endommager les turbines.



# 4 L'entretien et la réparation de votre appareil

## 10. Nettoyage du ventilateur d'extraction : aucune lubrification requise

- **Fréquence:** Annuellement ou plus souvent dépendamment de l'accumulation de cendres.
- **Par qui?:** Le propriétaire de la maison ou un technicien qualifié.
  - a. Soyez certain que l'appareil est débranché, refroidi et que le ventilateur d'extraction est éteint.
  - b. Enlevez le panneau du côté gauche.
  - c. Enlevez les six vis qui tiennent le moteur du ventilateur d'extraction au carter et retirez le moteur. Soyez prudent afin de ne pas endommager le joint d'étanchéité lorsque vous enlevez le ventilateur. Installez un nouveau joint d'étanchéité en cas de dommage.
  - d. Passez l'aspirateur sur les palettes du ventilateur. Faites attention afin de ne pas endommager les ailettes.
  - e. Nettoyez l'intérieur du ventilateur d'extraction avec une brosse ou l'outil d'un aspirateur.
  - f. Remettez en place le moteur. Soyez certain que les fils sont fixés sur les bornes de fils du ventilateur.



## 11. La préparation du foyer pour la saison d'inutilisation

- **Fréquence:** Annuellement
- **Par qui?:** Le propriétaire de la maison
  - a. Soyez certain que l'appareil est débranché, refroidi et que le ventilateur d'extraction est éteint.
  - b. Enlevez toutes les cendres du foyer et passez l'aspirateur.
  - c. Peinturez les surfaces d'acier nues, y compris la fonte.
- Vous pouvez acheter de la peinture résistant à la chaleur des marchands de votre région.
- Il faut utiliser de la peinture résistant à la chaleur spécifiquement conçue pour les appareils de chauffage.

## 12. La suie et les cendres volantes: Accumulation et la nécessité de les enlever du système de ventilation d'extraction.

- **Fréquence:** Annuellement ou plus souvent dépendamment de l'accumulation des cendres.
  - **Par qui?:** Un technicien qualifié/propriétaire de la maison
- Soyez certain que l'appareil est débranché, refroidi et que le ventilateur d'extraction est éteint.

La combustion cause la cendre volante. La cendre volante s'accumule dans le système de ventilation d'extraction et nuit à la circulation des gaz de carneau.

Il y aura accumulation de suie si la combustion est incomplète durant l'allumage ou si l'appareil n'est pas correctement utilisé ou correctement éteint.

Le système de ventilation (cheminée) devra peut-être être nettoyé au moins une fois par année ou plus souvent dépendamment de la qualité du combustible ou des sections de tuyaux horizontaux. Les cendres s'accumulent plus rapidement dans les parties horizontales et les coudes.

# 4 L'entretien et la réparation de votre appareil

---

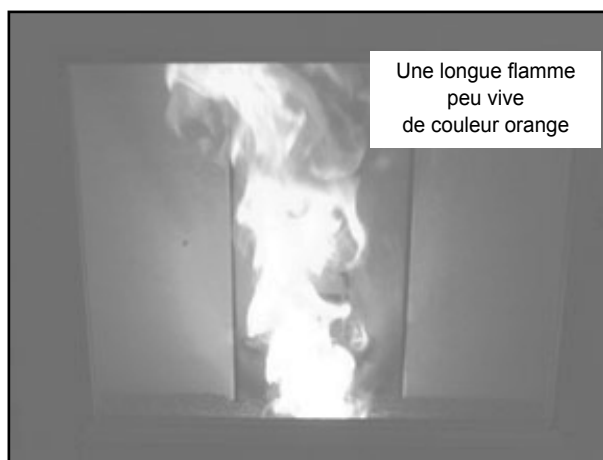
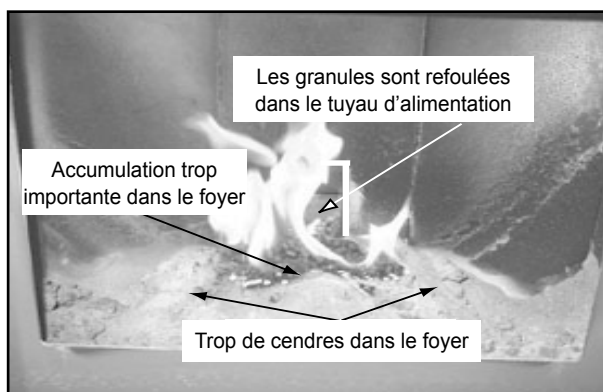
## D. Entretien (grande quantité de cendres)

- **Fréquence:** Lorsque nécessaire
- **Par qui?:** Le propriétaire de la maison

Le foyer peut rapidement se remplir de cendres et de mâchefers si les granules ne sont pas de bonne qualité ou si l'entretien n'est pas fait correctement.

À cause de cela, il peut alors avoir un trop-plein de granules dans le foyer ce qui peut causer de la fumée, de la suie et même un feu de trémie. L'illustration ci-dessous montre un endroit où le foyer déborde. Les granules se sont refoulés dans le tuyau d'alimentation et des cendres se sont accumulées dans le foyer.

L'illustration ci-dessous montre la combustion de granules de mauvaise qualité qui nuit à l'efficacité et qui augmente les coûts.



# 4 **L'entretien et la réparation de votre appareil**

---

## **E. Foire aux questions**

### **Comment se fait-il que la vitre est sale?**

Une accumulation de cendres blanches est normale, il suffit de la nettoyer. Il pourrait y avoir un problème de circulation d'air dans l'appareil s'il s'agit de suie noire. La cause la plus fréquente est un manque d'entretien et un nettoyage insuffisant. Lisez la section «Entretien et réparation de l'appareil» dans le manuel du propriétaire.

### **Comment puis-je augmenter la capacité de chauffage de l'appareil?**

Dans la plupart des cas, une diminution de la capacité de chauffage résulte d'un manque d'entretien et d'un nettoyage insuffisant. Lisez la section «Entretien et réparation de l'appareil» dans le manuel du propriétaire.

### **Que dois-je faire s'il y a des odeurs de fumée ou si des cendres ou de la suie sortent de l'appareil?**

Il y a toujours une odeur de fumée qui se dégage des appareils qui brûlent du bois, y compris les granules de bois. Vous devriez vérifier le système de ventilation pour vous assurer qu'il n'y a pas de fuite. La plupart des systèmes de ventilation nécessitent l'utilisation de silicone pour sceller les joints. De plus, de nos jours, la plupart des maisons sont très bien isolées et comportent des systèmes de dégagement d'air ce qui peut créer une pression négative. Lisez «La pression négative» dans la section «Commençons» du manuel du propriétaire si vous constatez que de la fumée s'échappe encore après une vérification du système de ventilation. Faites la vérification ci-haut pour les cendres et la suie et vérifiez aussi l'enveloppe et les joints d'étanchéité du ventilateur d'extraction.

### **Mon appareil fonctionnait bien l'hiver dernier, mais il ne fonctionne pas cet automne. Pourquoi?**

L'appareil n'a peut-être pas bien été préparé pour la saison d'inutilisation. Lisez la section «Dépannage» dans le manuel du propriétaire.

### **Comment se fait-il qu'il y a écaillage du métal à l'intérieur de l'appareil?**

Certaines usines de granules obtiennent la matière première de scieries qui achètent des billes transportées sur eau marine. Ces granules peuvent contenir plus de sel et corroder plus rapidement le métal à l'intérieur de l'appareil. Nous vous recommandons de changer immédiatement de marque de granules si vous constatez une détérioration des pièces à l'intérieur de l'appareil.

### **Y a-t-il une façon de lubrifier les ventilateurs pour les rendre moins bruyants?**

Des palettes sales sont la cause la plus fréquente de ventilateurs bruyants. Lisez la section «Entretien et nettoyage général» sous la section «Entretien et réparation de l'appareil» dans le manuel du propriétaire. Il ne sera jamais nécessaire de lubrifier les ventilateurs.

### **Quel est cet objet de métal courbé qui se trouvait dans un sac?**

C'est un outil de nettoyage pour le foyer. Et un outil de désobstruction que l'on utilise dans les rares cas d'obstruction du tuyau d'alimentation.

### **D'où proviennent ces résidus noirs qui s'accumulent sur les surfaces extérieures de la maison?**

Le vent peut en être la cause. Il y a très peu de suie qui sort du couronnement de conduit quand l'appareil fonctionne correctement. Assurez-vous que le système de ventilation est installé conformément aux instructions du manuel du propriétaire et au code de la construction de votre ville.

### **Aie-je besoin d'un kit de prise d'air neuf extérieur?**

Une prise d'air neuf est requise pour les maisons mobiles et dans certaines régions. Lisez les sections «Liste et codes approuvés», «Installation maison mobile», et «Installation de l'appareil» dans le manuel du propriétaire. Vérifiez aussi le code de la construction de votre région.

### **Je vois des étincelles sortir du couronnement de conduit à l'extérieur. Y a-t-il un danger?**

C'est normal et sans danger. Il faut toutefois avoir respecté les règlements en ce qui concerne l'espacement des matières combustibles.

**Rien ne fonctionne. Y a-t-il un disjoncteur, un fusible ou un bouton de remise à zéro sur cet appareil?** Il y a un fusible sur le panneau de commande et un interrupteur à ressort réenclenchable sur le tuyau d'alimentation.

### **Est-ce que je peux brûler du maïs dans cet appareil?**

Le maïs n'est pas un combustible approuvé.

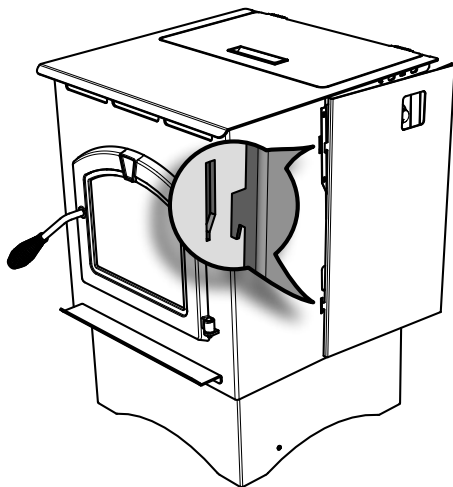
### **Où se trouve le numéro de série de l'appareil?**

Le numéro de série se trouve à l'arrière de l'appareil.

# 5 Pièces de remplacement

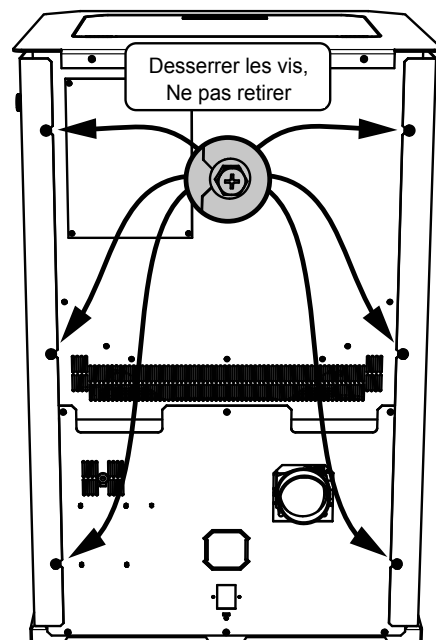
## A. Ventilateur à convection remplacement

1. Mettez le bouton de réglage à Fermé (off). Débranchez l'appareil.
2. Le ventilateur à convection se trouve à l'arrière de l'appareil.
3. Utilisez un tournevis Phillips no 2 pour desserrer les boulons sur le panneau à l'arrière de l'appareil. Il n'est pas nécessaire d'enlever les vis. Enlevez les panneaux latéraux en les soulevant.
4. Débranchez les fils du moteur du ventilateur à convection du côté droit de l'appareil.
5. Enlevez les deux vis qui fixent le carter du ventilateur à convection au plénum en tôle. Tournez le ventilateur juste un peu vers l'arrière et il se dégagera. Desserrez les vis. N'enlevez pas le panneau supérieur gauche.



## B. Remplacement du ventilateur d'extraction

1. Mettez le bouton de réglage à OFF. Débranchez l'appareil.
2. Enlevez le panneau du côté droit en desserrant les deux ou trois boulons à l'arrière de l'appareil.
3. Débranchez les 2 fils blancs des fils blancs et bleus du ventilateur d'extraction.
4. Enlevez le moteur du ventilateur d'extraction fixé à la plaque amovible sur le ventilateur d'extraction. Dépendamment du modèle utilisé une douille de 1/4 pouce, ou un tourne-écrou de 1/4 pouce ou un tournevis No2 Phillips pour desserrer les 6 vis dans les trous en forme de clefs et faites tourner la plaque. Il faut seulement desserrer les vis.
5. Enlevez le ventilateur d'extraction et le joint d'étanchéité.
6. Vérifiez si le joint est endommagé et remplacez-le si nécessaire, utilisez le joint inclus dans le kit.
7. Réinstallez dans l'ordre inverse.





# 5 Pièces de remplacement

## C. Remplacement de la rondelle à pression

### Activation – réarmement manuel

1. Mettez le bouton de réglage à Fermé (off). Débranchez l'appareil.
2. Utilisez un tournevis Phillips no 2 pour desserrer les boulons sur le panneau gauche à l'arrière de l'appareil. Il n'est pas nécessaire d'enlever les vis. Enlevez les panneaux latéraux en les soulevant.
3. La rondelle à pression se trouve dans la partie supérieure du tube d'alimentation là où elle rejoint la trémie. Débranchez les raccords de fils de la rondelle à pression.
4. Enlevez les deux vis 6-32 qui fixent la rondelle à pression sur le côté du tuyau d'alimentation avec un tournevis Phillips no 1.
5. Utilisez les mêmes vis pour fixer la nouvelle rondelle à pression. Fixez les raccords de fils.
6. Remettre en marche.



## D. Remplacement de L'igniteur

1. Mettez le bouton de réglage à Fermer (off). Débranchez l'appareil.
2. Enlevez les raccords de fils de l'igniteur.
3. Enlevez la vis sur le côté de la chambre de l'igniteur. Pincez l'extrémité du support et retirez l'igniteur de la chambre.
4. Vous pouvez enlever la chambre en enlevant le boulon 1/4-20 qui se trouve à l'arrière du foyer si vous avez de la difficulté à enlever l'igniteur de la chambre.
5. Installez le nouvel igniteur dans la chambre avec le support.
6. Vérifiez l'igniteur par le devant de l'appareil. Il faut enlever le foyer et regarder au fond de la chambre. **SOYEZ CERTAIN QUE L'IGNITEUR EST CENTRÉ DANS LA CHAMBRE.**



## E. Enlever et remplacer les chicanes

1. Mettez le bouton de réglage à Fermé (off). Soyez certain que l'appareil est éteint.
2. Enlevez premièrement la chicane du centre en la soulevant avec la poignée du haut et ensuite tirez-la vers vous. Les crochets de la chicane sortiront des fentes du support.
3. Enlevez la chicane gauche et ensuite la chicane droite en tirant vers le haut et vers vous. Les crochets et les fentes sont similaires sur la chicane gauche et la chicane droite.

# 5 Pièces de remplacement

## F. Remplacement de la vitre

### AVERTISSEMENT



- Il s'agit d'une vitre réfractaire de 5mm (vitrocéramique).
- N'UTILISEZ PAS un autre matériel (produit) pour la REMPLACER.
- Un autre matériel (produit) peut éclater et causer des blessures.

1. Enlevez la porte de l'appareil en la soulevant des fiches de charnières. Placez-la sur une surface plane le devant vers le bas.
2. Enlevez les trois supports avec un tournevis Phillips—mettez-les de côté.
3. Enlevez la vitre et remplacez-la par une vitre

## G. Remplacement de la carte électronique

1. Mettez le bouton de réglage à Fermé (off). Débranchez l'appareil.
2. Débranchez les fils de la carte électronique. Il s'agit de contacts encliquetables. Appuyez sur la languette des contacts et tirez doucement pour les desserrer.
3. Serrez les 4 tiges de plastique à l'arrière pour enlever les contacts de la carte électronique.
4. Installez une nouvelle carte électronique en suivant les étapes dans l'ordre inverse.



## H. Remplacement du fusible

1. Mettez le bouton de réglage à Fermé (off). Débranchez l'appareil.
2. Enlevez le couvercle de plastique du fusible sur la carte électronique.
3. Remplacez le fusible seulement avec un fusible de 5AMP 120VAC.
4. Remettez le couvercle sur le support du fusible et redémarrez l'appareil.

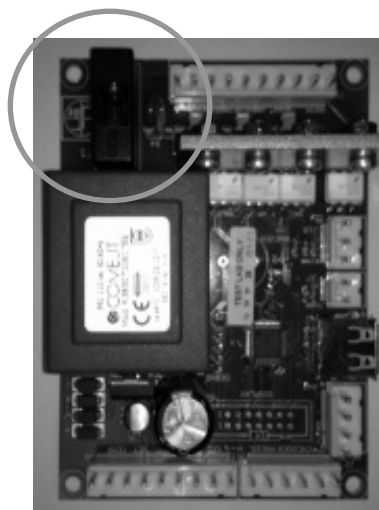
## I. Remplacement du moteur d'alimentation

1. Mettez le bouton de réglage à Fermé (off). Débranchez l'appareil. Enlevez le panneau à droite et le couvercle du moteur d'alimentation à l'arrière de l'appareil.
2. Débranchez les fils à conducteur du moteur d'alimentation.
3. Utilisez une pince pour enlever la goupille fendue.
4. Retirez le moteur d'alimentation de la tige d'alimentation.
5. Alignez les trous de passage de la tige du moteur d'alimentation à la tige à ressort de la tarière pour installer le moteur d'alimentation neuf.
6. Rebranchez les fils à conducteurs du moteur d'alimentation et rétablissez le courant.



## J. Remplacement du ressort d'alimentation

1. Enlevez toutes les granules de la trémie. Suivez ensuite les étapes pour enlever le moteur d'alimentation (voir ci-dessus).
2. Enlevez les quatre vis qui tiennent le support du moteur d'alimentation.
3. Faites glisser la tarière pour la sortir de la partie inférieure à l'arrière de l'appareil.
4. Vérifiez le roulement à billes en bronze. Remplacez si nécessaire.
5. Installez le nouveau bloc-ressort en suivant les étapes dans l'ordre inverse. Il faut aussi installer le moteur d'alimentation.



# 6 Guide de l'installateur

## A. Design, installation et emplacement

**AVERTISSEMENT:** VÉRIFIEZ LE CODE DU BÂTIMENT AVANT L'INSTALLATION.

- L'installation DOIT ÊTRE conforme aux codes et règlements de votre ville, de votre région, de votre province et de votre pays.
- Informez-vous auprès d'une compagnie d'assurance, d'un inspecteur en bâtiment de votre région, du service incendie et l'autorité administrative en matière de restrictions, d'installation, d'inspection et de permis.

Les granules peuvent dégager de la cendre, de la suie ou créer des étincelles. Vous devez donc tenir compte de l'emplacement des choses suivantes :

- Les fenêtres
- Les entrées d'air
- Les climatiseurs
- Les porte-à-faux, Soffites, Toits de galerie (véranda), Murs adjacents
- L'aménagement paysager, La végétation

**AVERTISSEMENT:** Localisation de l'appareil dans un endroit de la circulation de l'air considérable peut entraîner des fuites de fumée intermittente à partir de l'appareil. Ne placez pas l'appareil à proximité:

- De portes souvent ouvertes
- De la sortie d'air et du retour d'air d'un système de chauffage central

## B. Le Tirage

Dépression qui a pour effet d'une part de créer un appel d'air frais (comburant) qui alimente le foyer, d'autre part de favoriser l'ascension des fumées et gaz brûlés dans le conduit.

Choses à faire pour un tirage efficace:

- Empêcher la pression négative
- Installer l'appareil et la cheminée aux bons endroits

Utilisez un manomètre différentiel ou un manomètre numérique capable de faire une lecture 0 - .25 colonne d'eau (CE) pour mesurer le tirage ou la pression négative de votre appareil.

L'appareil devrait fonctionner à High (élevée) pendant au moins 15 minutes pour faire le test.

Vous devriez obtenir une pression négative égale ou supérieure au chiffre indiqué sur le tableau lorsque le poêle fonctionne à High (élevée). Le tirage et la combustion ne sont pas convenables si vos mesures sont inférieures aux données du tableau.

MODÈLE	Pression vacuométrique minimale
PH35PS	0.17 (CE)
PH50PS	0.17 (CE)
PH50CAB	0.17 (CE)

## B. Le Tirage (Suite)

Courant d'air (suite)

Corrigez le tirage insuffisant ou la pression vacuométrique insuffisante en faisant l'une des choses suivantes:

- Nettoyez complètement la tuyauterie de dégagement d'air et de ventilation. Lisez la section sur l'entretien.
- Vérifiez les joints d'étanchéité. Remplacez les joints d'étanchéité qui fuient.

**AVERTISSEMENT: GHP SE DÉGAGE DE TOUTE RESPONSABILITÉ SI LE SYSTÈME DE CONDUITS/CHEMINÉE NE FONCTIONNE PAS BIEN POUR LES RAISONS SUIVANTES:**

- Un tirage inadéquat causé par les conditions d'ambiance
- Les courants descendants
- L'imperméabilité à l'air de la structure.
- Un système d'extraction mécanique.

## C. Pression négative

**DANGER! RISQUÉS D'ASPHYXIE!** La pression négative peut causer des fuites de suie et de fumée de combustion

**Il y a pression négative lors d'un déséquilibre dans l'apport d'air nécessaire au bon fonctionnement de l'appareil. Le problème peut être plus important dans les zones plus basses d'une maison.**

Certaines des causes:

- Ventilateur d'extraction (cuisine, toilette, etc)
- Hotte de cuisine
- L'air de combustion de la fournaise du chauffe-eau et des autres appareils à combustion
- Sécheuse de linge
- L'emplacement du conduit de reprise d'air du climatiseur ou de la fournaise
- Mauvais fonctionnement du système de circulation d'air CVCA
- Fuite d'air provenant de la partie supérieure, par ex:
- Éclairage encastré
- Trappe de grenier ou fenêtres ouvertes
- Fuites de tuyaux

Pour diminuer les effets de la pression négative:

- Installez le kit de prise d'air extérieur face aux vents dominants durant la saison de chauffage.
- Assurez-vous qu'il y a suffisamment d'air extérieur pour tous les appareils à combustion et les appareils d'extraction.
- Assurez-vous que les conduits de reprise d'air de la fournaise et du climatiseur ne sont pas à proximité de l'appareil.
- N'installez pas l'appareil près des portes, passages et les petits endroits isolés.
- L'éclairage encastré doit être du type «hermétique».
- Les trappes de grenier doivent avoir un bourrelet ou être étanches.
- Les conduits installés dans le grenier et les joints et rivures du système de circulation d'air devraient être scellés.

# 6 Guide de l'installateur

## D. L'emplacement de l'appareil et de la cheminée

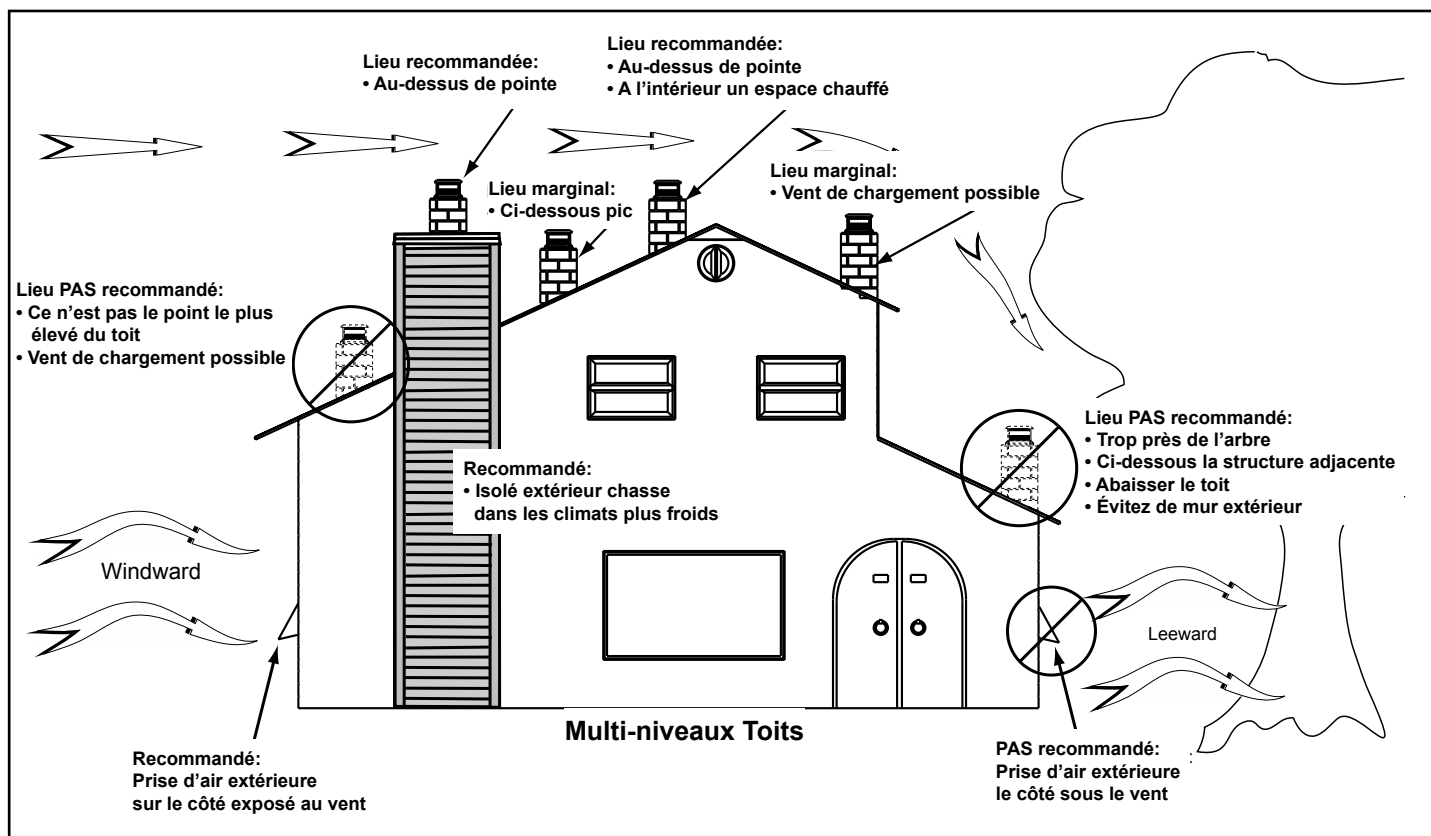
L'emplacement de l'appareil et de la cheminée a un impact sur le rendement.

- Installez à travers la lame d'air de l'enveloppe du bâtiment. Cela augmente les courants d'air, notamment lors de l'allumage et lorsque le feu s'éteint.
- Passez dans la plus haute partie du toit. Cela diminue les efforts exercés par le vent.
- Installez le couronnement de conduit loin des arbres, structures, lignes de toiture et autres objets.
- Évitez l'utilisation de sections non verticales de cheminée.
- Tenez compte de l'emplacement des solives de planchers, plafonds et greniers.
- Tenez compte des conditions requises en ce qui a trait au couronnement.

## F. Outils et fournitures nécessaires

**Outils et matériaux de construction habituellement requis pour l'installation, à moins qu'il s'agisse d'une installation dans un foyer en maçonnerie.**

Scie alternative à lames multiples	Scellant/matériel incombustible
Pince multiprise à crémaillère	Gants
Marteau	Lunette de sécurité
Tournevis Phillips	Équerre de charpentier
Ruban à mesurer	Perceuse électrique et mèches
Fil à plomb	Vis autotaraudeuse ¼
Niveau	<u>Possiblement nécessaire</u>
Matériel d'armature/encadrement	Supports à tuyaux
	Peinture à tuyaux



## E. Vérifiez l'appareil et les pièces

- Retirez l'appareil et les pièces de l'emballage et vérifiez s'il y a des dommages.
- Informez le marchand des pièces endommagées lors de la livraison.
- **Lisez toutes les instructions avant de commencer l'installation. Suivez attentivement les instructions durant l'installation pour assurer votre sécurité et votre satisfaction.**

### AVERTISSEMENT



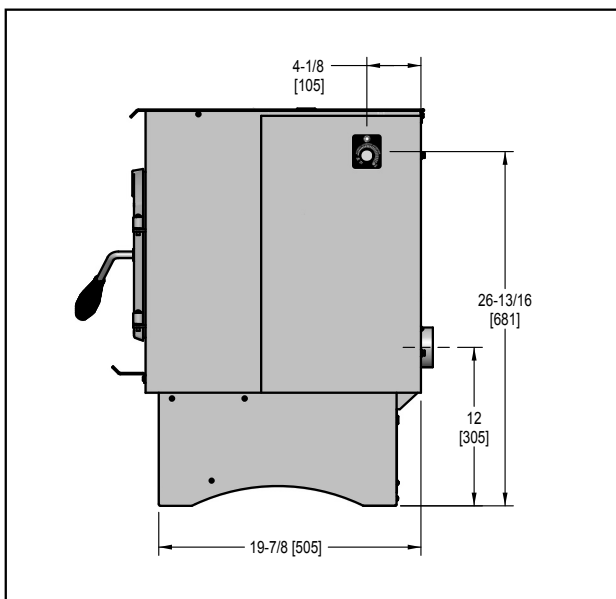
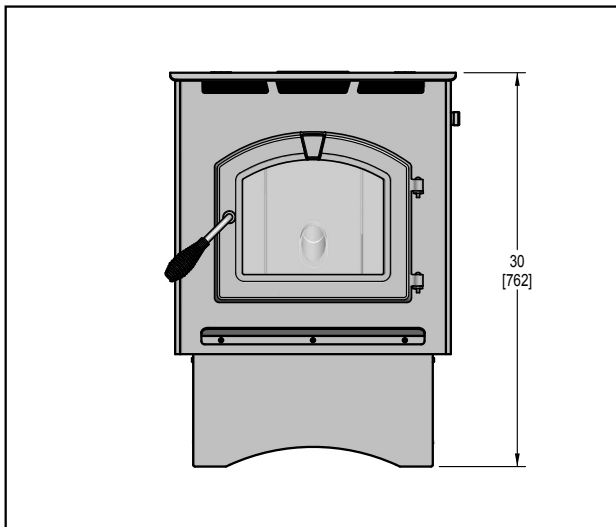
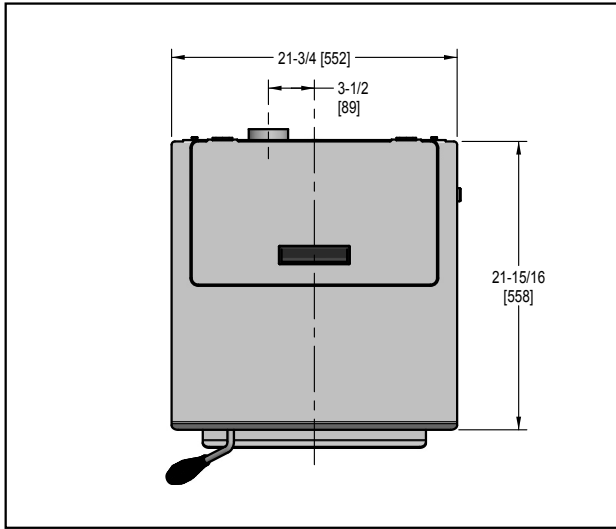
Faites une vérification pour savoir si l'appareil et les pièces sont endommagées. Des pièces endommagées peuvent nuire au fonctionnement sécuritaire.

- N'installez PAS des pièces endommagées.
  - N'installez PAS des pièces incomplètes.
  - N'installez PAS des pièces de remplacement.
- Informez le marchand des pièces endommagées.

# 7 Dimensions et espacement

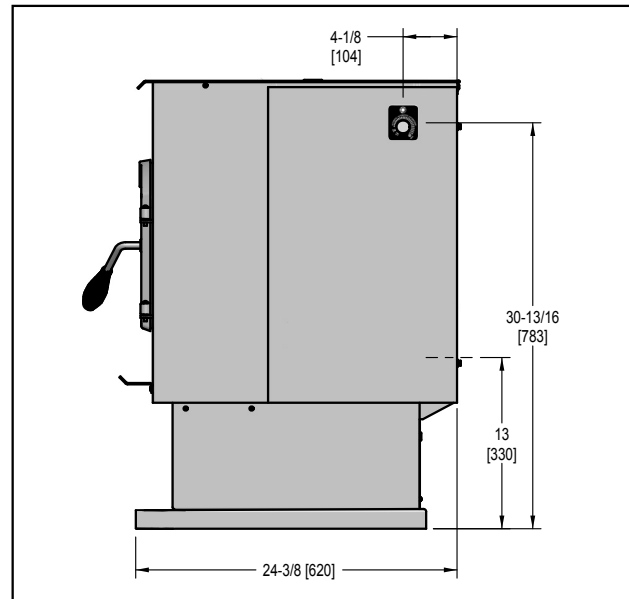
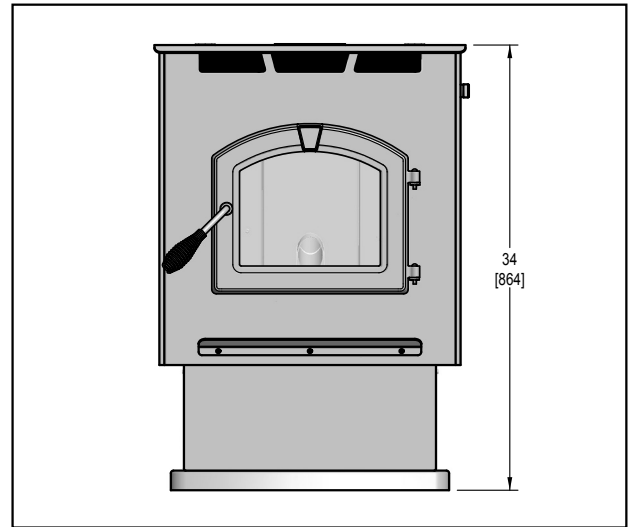
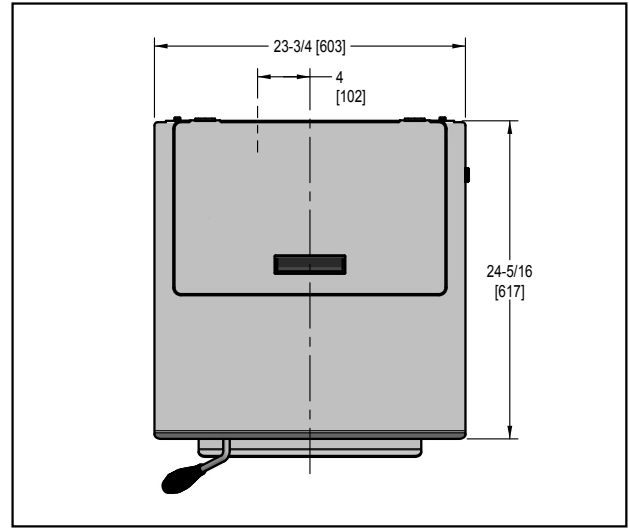
## MODÈLE: PH35PS

### A. Dimensions de l'appareil



## MODÈLE: PH50PS

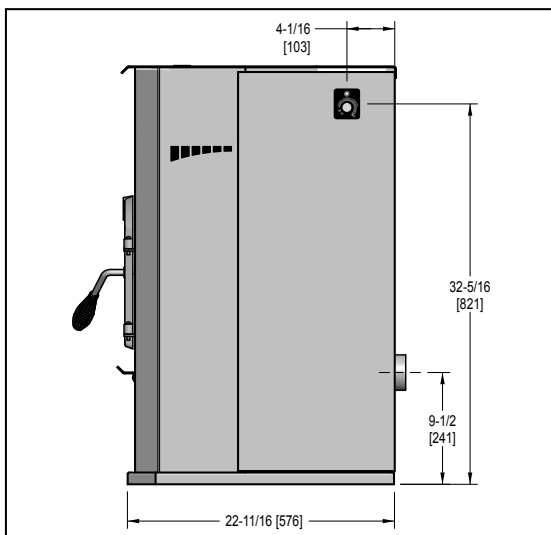
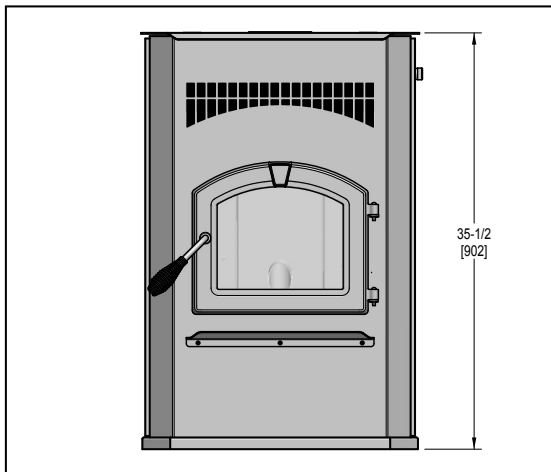
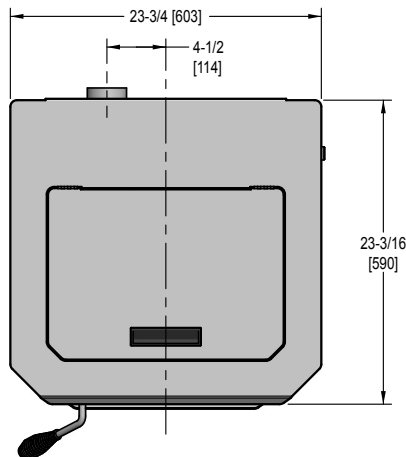
### B. Dimensions de l'appareil



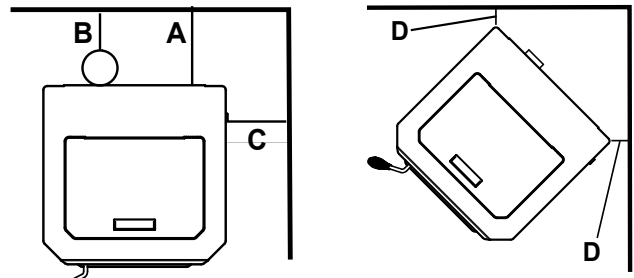
# 7 Dimensions et espacement

## MODÈLE: PH50CAB

### C. Dimensions de l'appareil



### D. Espacement de l'appareil (UL and ULC)



Installations verticales (conduit intérieur)			
Droit contre le mur		Pouces	Millimètres
<b>A</b>	Mur arrière à l'appareil	2	51
<b>B</b>	Paroi arrière pour tuyau de fumée	3	76
<b>C</b>	Mur latéral à l'appareil	13	330

Installation en coin		Pouces	Millimètres
<b>D</b>	Murs à l'appareil	3	76

Installations de cheminée horizontales			
Droit contre le mur		Pouces	Millimètres
<b>A</b>	Mur arrière à l'appareil	2	51
<b>B</b>	Paroi arrière pour tuyau de fumée	3	76
<b>C</b>	Mur latéral à l'appareil	13	330

\*Respectez le dégagement du conduit établi par le fabricant

### CAUTION

- NE RACCORDEZ PAS L'APPAREIL À UN CONDUIT DE FUMÉE UTILISÉ POUR UN AUTRE APPAREIL.
- NE RACCORDEZ PAS À UN CONDUIT DE DISTRIBUTION D'AIR OU À UN SYSTÈME DE DISTRIBUTION D'AIR.

### AVERTISSEMENT

#### SURFACES CHAUDES!



La vitre et les surfaces sont chaudes durant l'utilisation, MAIS se refroidissent après l'arrêt de l'appareil.

#### La vitre chaude cause des brûlures.

- Ne touchez pas la vitre avant qu'elle soit refroidi
- NE PERMETTEZ JAMAIS aux enfants de toucher la vitre
- Gardez les enfants à distance
- SURVEILLEZ ATTENTIVEMENT les enfants qui se trouvent dans la pièce où se trouve le foyer
- Informez les enfants et les adultes des dangers des températures élevées

#### Les températures élevées peuvent enflammer les vêtements et les matières inflammables.

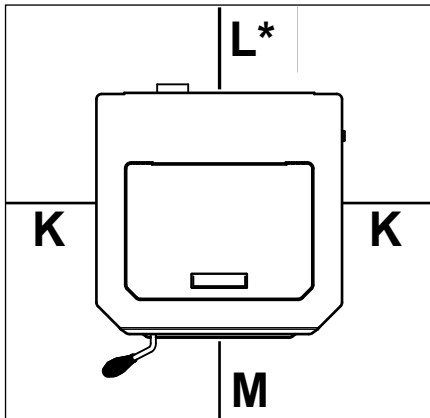
- Gardez à distance les vêtements, meubles, draperies et les matières inflammables.

Rendez-vous aux pages 66, 67 et 68 pour des vues latérales et images plus détaillées des dégagements et types d'installation.

# 7 Dimensions et espacement

## E. Exigences pour le protège plancher (UL and ULC)

Utilisez un protège plancher incombustible installé sous l'appareil et qui couvre le devant, les côtés et l'arrière (tel qu'illustré). Mesurez de la distance «M» (surface de la porte de vitre).

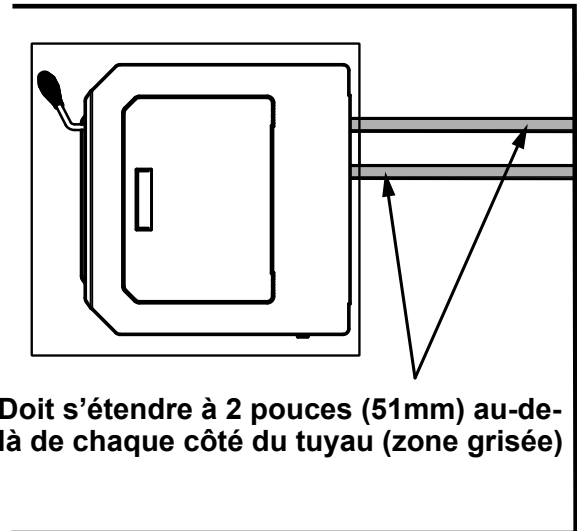


Protège plancher (exigences É.-U.)

Protège plancher (exigences)		Pouces
<b>K</b>	Côtés	2
<b>L*</b>	Arrière	2
<b>M</b>	Devant	6

Protège plancher (exigences Canada)

Protège plancher (exigences)		Millimètres
<b>K</b>	Côtés	203
<b>L*</b>	Arrière	51
<b>M</b>	Devant	152



### \*L Exception pour installation horizontale

**INSTALLATION AU CANADA:** Un protège plancher incombustible qui protège le dessous du tuyau à fumée et plus large que le tuyau est requis pour la ventilation horizontale ou sous l'adaptateur du tuyau de ventilation du haut pour les installations verticales.

**INSTALLATION AUX É.-U.:** Un protège plancher incombustible qui protège le dessous du tuyau à fumée et plus large que le tuyau est recommandé pour la ventilation horizontale ou sous l'adaptateur du tuyau de ventilation du haut pour les installations verticales.

## AVERTISSEMENT



**Il faut suivre ces instructions à la lettre sinon il pourrait avoir un incendie qui cause des dommages matériels, des blessures corporelles ou la mort.**


- N'utilisez pas et ne placez pas de l'essence ou d'autres liquides inflammables près de cet appareil ou d'autres appareils. Il ne doit pas aussi avoir de vapeur inflammable.
- N'augmentez pas trop la chaleur. Une lueur sur le poêle ou les raccordements de cheminée signifie que la chaleur est excessive. Le surchauffage annule la garantie.
- Tel qu'indiqué, respectez toutes les exigences en matière d'espacement. Le non-respect des espacements minimums des combustibles peut causer un incendie de maison.


# 8 Informations sur les événements

## A. Raccordement de la cheminée et du conduit de sortie

1. **Cheminée et raccordement:** Utilisez un système de ventilation de 7,6cm ou 10,2cm de diamètre de type «L» ou «PL». La ventilation peut être verticale ou horizontale.
2. **Maison mobile:** Approuvé pour tous les événements à granules répertoriés. Si on utilise le kit adaptateur pour événement vertical du haut de (7,6cm) ou l'adaptateur pour événement du haut saillant de (7,6cm-15,2cm), utilisez des raccords à double paroi répertoriés. Il faut utiliser une prise d'air extérieur approuvée dans une maison préfabriquée.
3. **Résidentiel:** Le kit adaptateur d'événement vertical du haut de (7,6cm) et l'adaptateur d'événement du haut saillant ont été testés pour utilisation avec un raccordement à paroi simple de calibre 24 ou un raccordement à double paroi répertorié Classe A. La cheminée de métal répertorié et la cheminée de maçonnerie doivent satisfaire les normes sur les appareils à combustible solide du International Conference of Building Officials (ICBO).
4. **L'ESPACEMENT DES ÉVÉNEMENTS DOIT ÊTRE CONFORME AUX EXIGENCES DU FABRICANT**
5. Fixez le système de ventilation aspirante à l'appareil avec au moins 3 vis ou rivets par tuyau--il faut suivre les instructions du fabricant de tuyaux. Il faut aussi fixer les joints de tuyau avec au moins 3 vis par joint.
6. N'INSTALLEZ PAS UN REGISTRE DE TIRAGE CLAPET DANS LE CONDUIT DE SORTIE DE CET APPAREIL.
7. NE RACCORDEZ PAS CET APPAREIL À UN CONDUIT DE FUMÉE UTILISÉ AVEC UN AUTRE APPAREIL

**NOTE: Les joints de tous les tuyaux doivent être soudés, lorsque possible. Scellez les joints de tuyaux avec du silicone résistant aux hautes températures. Résistance minimale de (500°F [260°C]. Ne mettez pas de silicone dans les tuyaux.**


**AVERTISSEMENT**




**Des risques d'incendie**  
Suivez les instructions du fabricant de raccords de cheminée pour une bonne installation.

Utilisez les raccords SEULEMENT:

- Dans la pièce, entre l'appareil et les murs ou le plafond. Les raccords ne doivent PAS passer à travers:
- Le grenier ou le toit
- Les garde-robes et les endroits similaires, vide de construction
- Plancher ou plafond

**AVERTISSEMENT**



Il faut garder les combustibles à une distance minimale. La surface des tuyaux devient **CHAUDE** et peut causer des brûlures si touché.

## B. Exigences pour le couronnement

**CAUTION**

**Le couronnement ne doit pas être dans un endroit renfermé ou semi-renfermé, par ex. un abri d'auto, garage, grenier, galerie, vide sanitaire, sous un solarium ou une véranda, les passages étroits ou les endroits clôturés ainsi que les endroits où la fumée peut s'accumuler, par ex. les cages d'escalier et les passages recouvert, etc.**

1. La sortie de ventilation du couronnement doit se faire au-dessus du niveau de la prise d'air. **Il est fortement recommandé d'installer un tuyau vertical d'au moins 152cm (1,5m) lorsque l'appareil est ventilé directement à travers un mur.** Cela crée un courant d'air naturel qui aide à empêcher la pénétration des odeurs et de la fumée dans la maison lors d'une panne électrique. Cela empêche aussi les problèmes et les dangers causés par les températures élevées qui se dégagent de la sortie d'air et auxquels s'exposent les gens et les arbustes. La méthode préférée et la plus sécuritaire pour ventiler s'effectue verticalement à travers le toit.
2. Distance des portes et fenêtres ouvrantes, ou gravité ou prises d'air dans l'édifice:
  - a. Pas moins que 122cm (1,2m) en dessous;
  - b. Pas moins que 122cm (1,2m) horizontalement de;
  - c. Pas moins que 30cm au-dessus
3. Distance des fenêtres fermées de manière permanente:
  - a. Pas moins que 30cm en dessous, horizontalement ou au-dessus.
4. La distance entre la base du couronnement et la pente doit être d'au moins 30cm. Cela dépend de la présence de plantes et de la surface de la pente. La surface de la pente doit être incombustible, soit des (roches, saleté). La surface de la pente ne doit pas être du gazon. La distance minimale entre la base du couronnement et les trottoirs doit être 2, 13 mètres.
5. Les matières combustibles doivent être à une distance d'au moins 60cm. Cela inclut les édifices adjacents, les clôtures, les parties saillantes de la structure, les parties de qui surplombent les toits, les plantes, les arbustes, etc.
6. Emplacement du couronnement (Électricité résidentiel)
  - L'espacement côté à côté doit être le même que l'espacement coin intérieur vinyle.
  - L'espacement du couronnement sous une charge électrique doit être le même que l'espacement minimum des dispositifs de ventilation en vinyle.
  - L'espacement du couronnement au-dessus d'une charge électrique doit être de 30cm minimum.
  - L'emplacement du couronnement ne doit pas obstruer ou nuire à l'accès au réseau électrique.



# 8 Informations sur les événements

## C. Ventilation pour granules


La ventilation horizontale maximale permise sans raccordement vertical est de 121cm, y compris un coude de 90° ou deux coudes de 45°. C'est l'installation de ventilation horizontale que nous recommandons. L'ajout de ventilation horizontale supérieure à 121cm nécessite une ventilation verticale additionnelle d'au moins 152cm. Les parties horizontales du tuyau de ventilation devraient comporter une élévation de 0.64cm (6,35mm) par pied. GHP recommande l'utilisation de conduit de 10cm lorsque l'installation nécessite plus de deux coudes de 90° ou plus de 4,5 mètres de conduit.

Un coude de 45° est l'équivalent d'un tuyau droit de 30,4cm  
 Un coude de 90° est l'équivalent d'un tuyau droit de 91,4cm


UN 90° COUDE		
Total Horizontale	Minimum Verticale	Diamètre du conduit
4	0	3
5	5	3
6	6	3
7	7	3
8	8	4
9	9	4
10	10	4
11	11	4
12	12	4
13	13	4
14	14	4
15	15	4
16	16	4
17	17	4
18	18	4
19	19	4

DEUX 90° COUDE		
Total Horizontale	Minimum Verticale	Diamètre du conduit
2	5	3
3	6	3
4	7	3
5	8	3
6	9	3
7	10	4
8	11	4
9	12	4
10	13	4
11	14	4
12	15	4
13	16	4
14	17	4
15	18	4

TROIS 90° COUDE		
Total Horizontale	Minimum Verticale	Diamètre du conduit
2	11	4
3	12	4
4	13	4
5	14	4
6	15	4
7	16	4
8	17	4
9	18	4
10	19	4
11	20	4

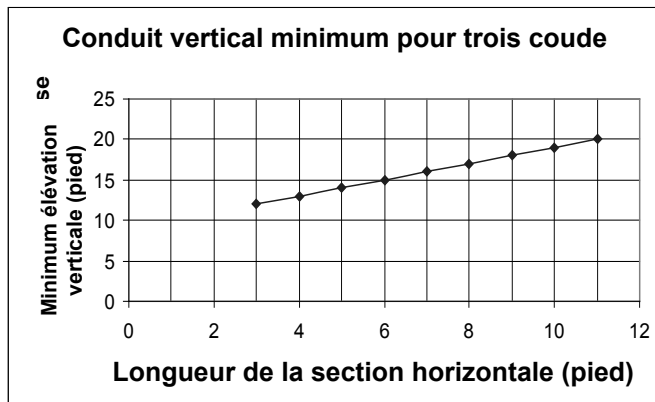
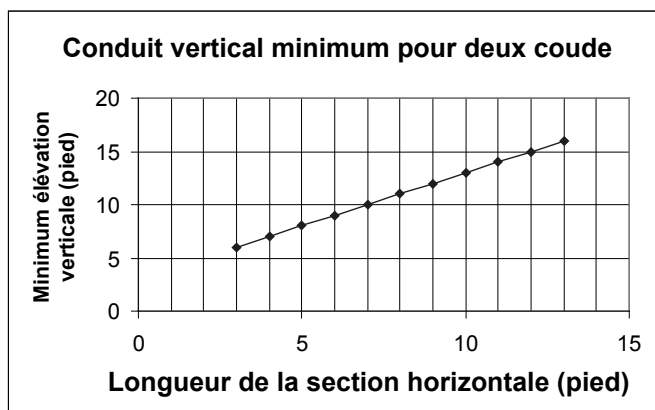
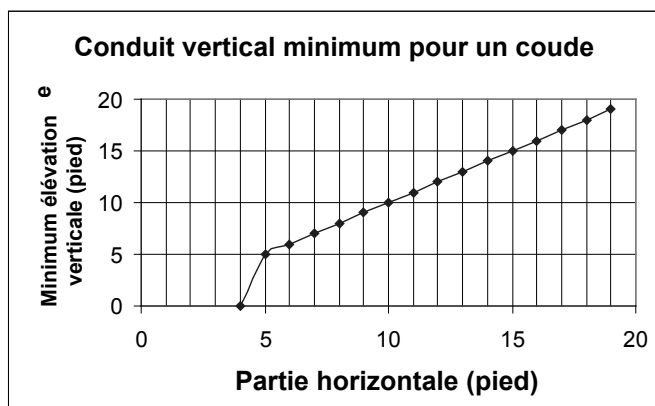


### AVERTISSEMENT



Des risques d'incendie

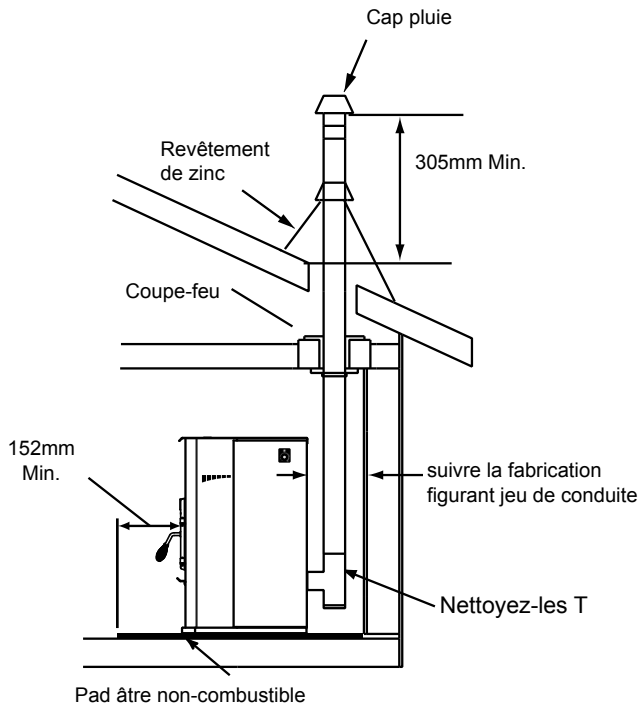
- Il faut seulement utiliser des pièces de ventilation RÉPERTORIÉS
- AUCUN autre type de pièce de ventilation ne peut être utilisé. Les pièces de ventilation de remplacement et les pièces endommagées peuvent rendre l'utilisation moins sécuritaire.



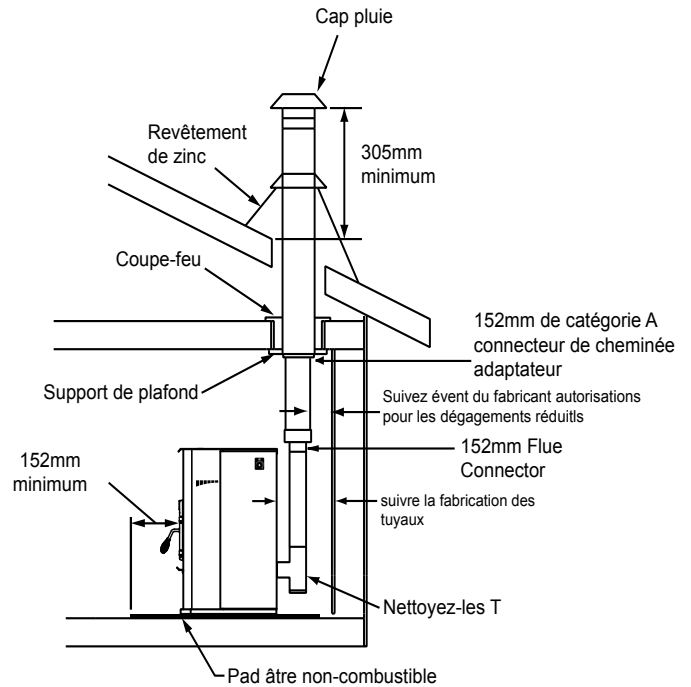
**AVERTISSEMENT:** Il s'agit de directives pour la ventilation efficace de votre appareil à granules. Plus il y aura d'élévations verticales, plus l'efficacité sera accrue. Les conduits horizontaux accumulent la cendre et devront donc être nettoyés plus souvent. Ils devraient être le moins longs possible.

# 9 Systèmes de ventilation

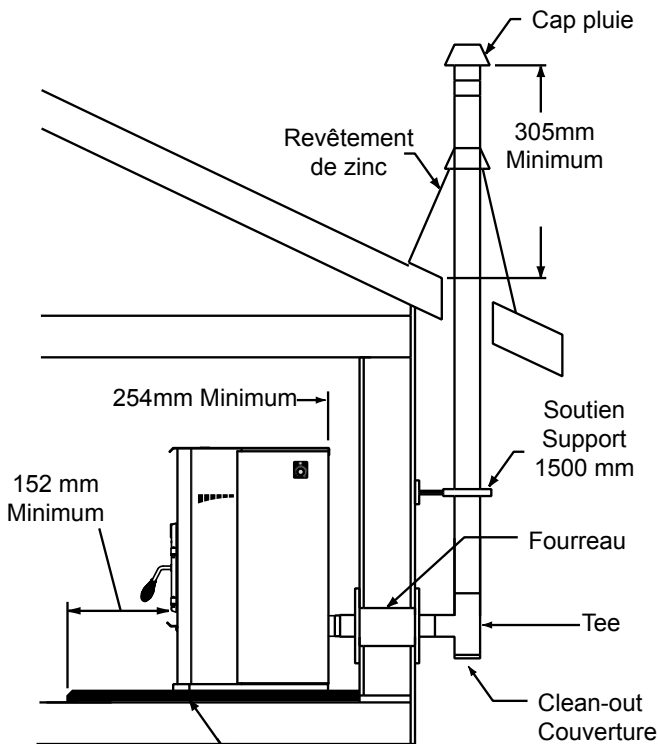
## A. Vertical – Intérieur – Installation Typique Méthode préférée No 1



## C. Verticale dans une cheminée Catégorie A



## B. À travers le mur et verticale – Extérieur Méthode préférée No 2



**Nous recommandons fortement un minimum de 150cm (1,5m) vertical. Toutefois, c'est préférable au dessus de la corniche.**

Les deux types d'installations sont approuvés pour les maisons mobiles. Il faut utiliser les conduits répertoriés de 7,6cm ou 10cm «L» ou «PL» ou des conduits répertoriés à double paroi et un kit de ventilation extérieur approuvé pour les maisons mobiles. Les conduits à paroi simple sont approuvés seulement pour les installations résidentielles.

### **Espace conduit**

Cet appareil a été testé avec des conduits de ventilation standards et répertoriés de 7,6cm.

On peut utiliser l'espace réduit répertorié des fabricants de conduits à granules pour réduire l'espace de 7,6cm à pas moins que 2,54cm des matières combustibles. Pour les conduits à granules répertoriés et approuvés

**Respectez la liste des espacements des matières combustibles du fabricant de conduits et les instructions d'installation pour tous les espacements restreints.**

# 9 Systèmes de ventilation

## AVERTISSEMENT

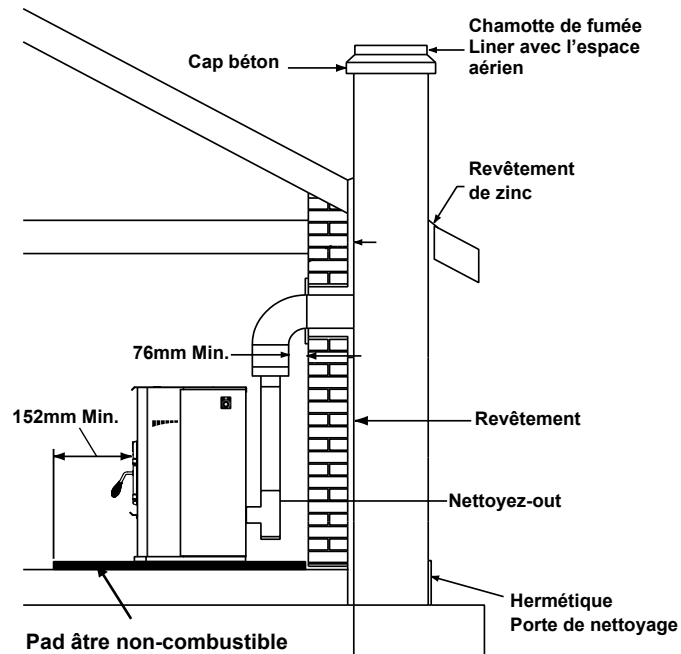


- Des risques d'incendie  
D'inspection de cheminée:  
Cheminée de maçonnerie • doivent être en bon état.
- Conforme à la norme minimum de la norme NFPA 211
  - cheminée préfabriquée doit être au minimum de 152mm (6 pouces) UL103 HT.

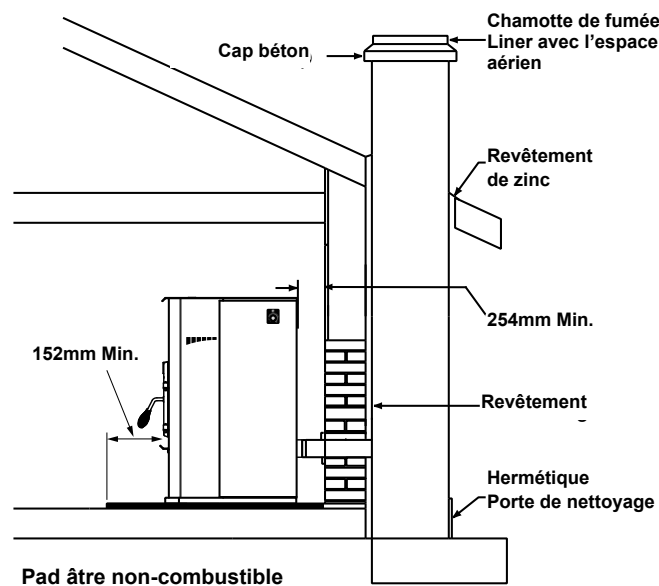
## AVERTISSEMENT

Une mauvaise installation, de réglage, la modification, un service ou d'entretien peut causer des blessures ou des dommages matériels. Reportez-vous au manuel de l'information du propriétaire fourni avec cet appareil. Pour de l'aide ou des renseignements supplémentaires, consultez un installateur qualifié, une agence de service ou votre revendeur.

### D. Maçonnerie



### E. Maçonnerie Autre



# 9 Systèmes de ventilation

## F. À travers le mur

Le couronnement horizontal doit être à 10cm (minimum) du mur. Approuvé pour installation dans une maison mobile. Il faut utiliser les événements répertoriés pour granules de 7,6cm à 10cm «L» ou «PL» ou les conduits à double paroi répertoriés et un kit d'air extérieur approuvé pour les maisons mobiles.

### **Avertissement :**

Veillez noter que l'espacement minimum du couronnement est de 10cm. Il est possible que de la suie s'accumule autour du couronnement. Nous vous recommandons de placer le couronnement plus loin de la maison pour éviter cette situation. Le minimum suggéré est de 30cm.

Au Canada, l'installation doit être conforme à la CAN/CSA-B365 lorsqu'on veut passer à travers un mur ou une cloison combustible.

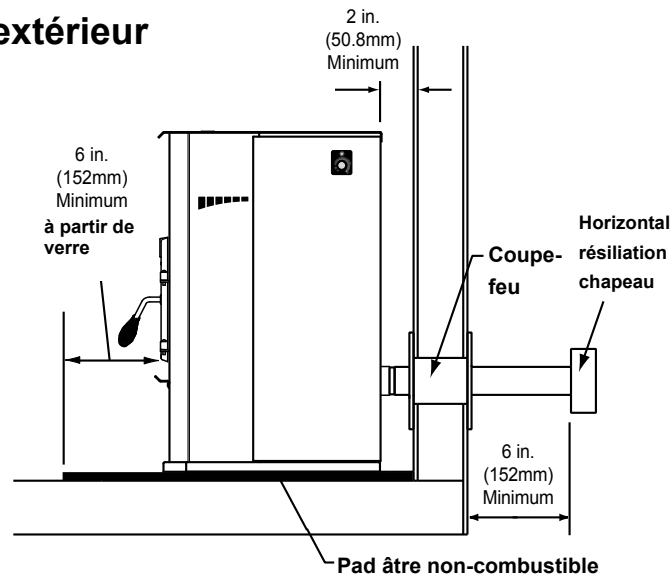
### **AVERTISSEMENT**

**NE FAITES PAS VENTILER VERS LE BAS.**

Car ceci se produira:

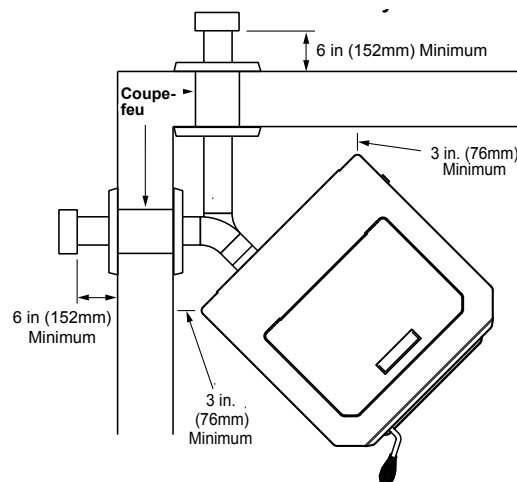
- L'appareil ne ventilera pas correctement
- La fumée se propagera dans la maison
- Il y aura beaucoup de suie

### **Droit à l'extérieur**



### **45 degrés**

L'illustration montre ventilation dans les deux directions. Choisir celui qui convient le mieux à votre installation.



# 10 Maison mobile

## A. Installation maison mobile

### Vous devez utiliser un kit d'air extérieur approuvé pour les maisons mobiles.

1. Une prise d'air frais est requise pour la combustion, mais elle ne doit pas être à proximité de feuilles, débris, glace et/ou neige. Elle ne doit pas être obstruée durant l'utilisation de l'appareil afin d'empêcher le manque d'air dans la pièce qui fait s'échapper la fumée. La fumée qui s'échappe peut aussi déclencher les détecteurs de fumée.
2. Le système de conduits d'air de combustion doit être en métal. Il doit permettre le foyer intégré pour combustible et empêcher les objets de tomber dans la prise ou dans la zone en dessous. Et être munis d'un grillage contre les rongeurs.
3. L'appareil doit être fixé à la structure de la maison mobile. Il faut utiliser des tirefonds pour le fixer au plancher et deux points d'ancrage. Utilisez les trous qui servaient à maintenir l'appareil sur la palette lors du transport.
4. Il faut faire la mise à terre de l'appareil avec du fil de mise à la terre en cuivre massif No 8, ou l'équivalent. Il faut aussi à chaque bout un appareil de mise à la terre approuvé par le code national de l'électricité (NEC).
5. Lisez (Espacement des combustibles) et (Protection du plancher) pour connaître les exigences en matière de protection contre les combustibles et le système de cheminée approuvé.
6. Utilisez du silicone comme pare-vapeur efficace aux endroits où la cheminée ou d'autres pièces pénètrent vers l'extérieur de la structure.
7. Suivez les instructions du fabricant de la cheminée lors de l'installation du système de ventilation d'une maison mobile.
8. L'installation doit être conforme à la norme de sécurité résidentielle du fabricant (HUD) CFR 3280 Part. 24.

### **AVERTISSEMENT**

L'installation doit être conforme à la norme de sécurité pour les maisons préfabriquées (HUD) 3280, Part.24.

### **AVERTISSEMENT**



#### **Risque d'asphyxie!**

**N'INSTALLEZ JAMAIS DANS UNE CHAMBRE À COUCHER.**

Consomme l'oxygène dans la pièce

### **ATTENTION**

IL FAUT S'ASSURER DE LA SOLIDITÉ DU PLANCHER, DES MURS ET DU PLAFOND DE LA MAISON MOBILE ET MAINTENIR L'INTÉGRITÉ STRUCTURALE.

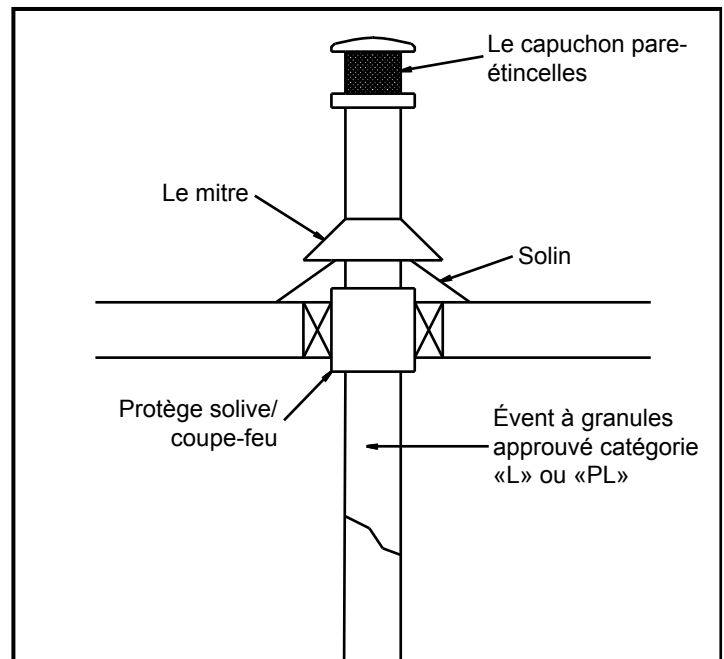
Ne coupez PAS à travers :

- Les solives de plancher, les murs, les montants ou les poutres de plafond.
- Les supports de structure qui diminuerait l'intégrité structural.

### **ATTENTION**

N'obtenez jamais l'air extérieur pour la combustion :

- Des murs, planchers ou de l'espace dans les plafonds.
- Les espaces renfermés comme les greniers, garage, les vides sanitaires/galerie

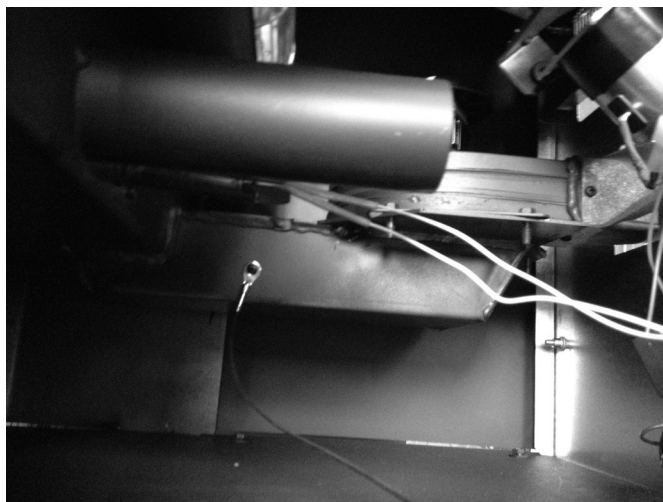
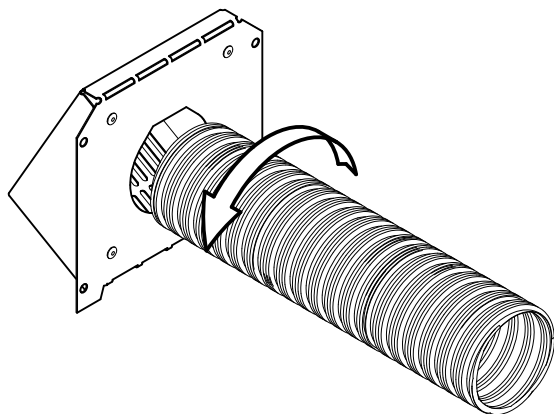


# 11 Préparation de l'appareil

## A. Instructions kit air extérieur

Un kit d'air extérieur est inclus avec l'appareil. Il est fortement recommandé d'utiliser le kit d'air extérieur pour un rendement optimal et pour réduire les effets causés par la pression négative de la maison.

Suivez les instructions incluses avec le kit d'air extérieur. Pour le fixer à cette plateforme: enlevez la plaque rectangulaire à l'arrière de l'appareil et glissez le tube à l'arrière de l'appareil. Utilisez le collier de serrage pour fixer le tuyau flexible au tube de 5cm soudé à l'arrière du foyer. Tel qu'illustré.



## ATTENTION

N'obtenez jamais l'air extérieur pour la combustion :

- Des murs, planchers ou de l'espace dans les plafonds.
- Les espaces renfermés comme les greniers, garage, les vides sanitaires/galerie.

## B. Mettre l'appareil en marche

Branchez l'appareil dans une prise c.a. de 120V



## AVERTISSEMENT



Danger d'électrocution

- N'enlevez PAS la broche de masse du cordon.
- Branchez directement dans une prise de courant à 3 broches bien reliée à la terre.
- Ne placez pas le cordon électrique près de l'appareil.
- Ne placez PAS le cordon électrique sous l'appareil ou devant l'appareil.



## AVERTISSEMENT



DÉBRANCHER AVANT L'ENTRETIEN.

# 12 Dépannage

PROBLÈME	CAUSE POSSIBLE	MESURE CORRECTIVE
Appareil branché – Aucune réponse	Pas de courant à la prise Fusible de 5 amp grillé ou défectueux Rondelle à pression défectueuse ou déclenchée.	Vérifiez le disjoncteur au panneau. Remplacez le fusible. Réinitialisez la rondelle à pression ou remplacez-la.
L'appareil ne s'allume pas	Pas de combustible. Plus de combustible. Interrupteur sous vide ne ferme pas, pas de sous vide. Couvercle de la trémie ouverte. Interrupteur de la trémie défectueux. Le système d'alimentation est bloqué. Le moteur de l'alimenteur n'est pas branché.  Pas d'igniteur. L'igniteur n'est pas branché L'igniteur n'est pas centré L'igniteur défectueux  Foyer bouché Foyer sale  Foyer dans la cour Il y a trop de débris dans le fond du foyer	Vérifiez la trémie. Remplissez de combustible. Vérifiez si le ventilateur de sortie est branché et en état de marche. Vérifiez si l'interrupteur sous vide est branché. Vérifiez si le tuyau à dépression est en bon état, net et branché aux deux bouts. Assurez-vous que le système de ventilation est propre Soyez certain que la porte du devant est fermée Vérifiez la fixation vacuostat sur le côté du tube d'alimentation pour le blocage Fermez le couvercle de la trémie Vérifiez le fonctionnement de l'interrupteur de la trémie Vérifiez et débloquez l'assemblage d'alimentation Rebranchez le moteur d'alimentation  Branchez l'igniteur Centrez l'igniteur L'igniteur bien installé dans la chambre Remplacez l'igniteur  Nettoyez le foyer Nettoyez sous le foyer Placez le foyer dans le bon sens
Le feu s'allume, mais s'éteint	Foyer sale  L'évacuation et/ou la ventilation est bouchée  La sonde de l'échappement ne détecte pas correctement la température Le réseau d'échappement est sale La sonde de l'échappement n'est pas fixée à la sortie La sonde de l'échappement n'est pas branchée dans la carte La sonde de l'échappement est défectueuse (il peut avoir un code d'erreur).	Nettoyez le foyer. Vérifiez le conduit de fumée pour obturation  Vérifiez et nettoyez le système d'échappement et de ventilation nettoyez le foyer, y compris à l'arrière des chicanes  Vérifiez et nettoyez la sortie d'échappement, en particulier le mur du côté droit. Enlevez le panneau du côté droit et vérifiez pour voir si la sonde de l'échappement est bien fixée sur la sortie d'échappement Branchez la sonde sur la carte Remplacez la sonde de l'échappement
L'appareil s'allume et s'éteint fréquemment dans le mode automatique	L'endroit où est installé l'appareil se réchauffe et se refroidit rapidement dépendamment du type d'installation.  Sonde d'échappement Positionnement incorrect vers la sortie d'échappement	Vérifiez la proximité des portes et des fenêtres et/ou la valeur de résistance de l'isolation de la structure. L'appareil devra peut-être fonctionner à max ou minimum si la perte de chaleur est rapide.  Vérifiez la sonde et assurez-vous qu'elle ne touche pas une surface qui se réchauffe et se refroidit rapidement. Il est possible d'accroître la distance entre l'appareil et la sonde ambiante en utilisant le fil supplémentaire qui se trouve dans le trou à l'arrière.

# 12 Dépannage

PROBLÈME	CAUSE POSSIBLE	MESURE CORRECTIVE
Allumage lent ou enfumé et/ou flamme peu vive	Échappement et/ou système de ventilation sale. Igniteur désaligné Combustible détrempé/combustible de mauvaise qualité	Vérifiez l'accumulation de cendres dans l'appareil, y compris derrière les panneaux arrière, le foyer, le ventilateur d'extraction et ventilation. Centrez l'igniteur dans la chambre Remplacez le combustible
Le ventilateur à convection ne démarre pas.	Ventilateur à convection Blocage N'est pas branché  Sonde de l'échappement Ne détecte pas la bonne température  Boîte de commande défectueuse	Vérifiez, nettoyez et débloquez le ventilateur. Remplacez le ventilateur Branchez le ventilateur  Nettoyez la sortie d'échappement, en particulier le côté droit.  Remplacez la boîte de commande
Le ventilateur d'extraction ne démarre pas	Ventilateur d'extraction Blocage Pas branché  Sonde d'échappement Ne détecte pas la bonne température  Boîte de commande défectueuse	Vérifiez, nettoyez et débloquez le ventilateur. Remplacez le ventilateur Branchez le ventilateur  Nettoyez la sortie d'échappement, en particulier le côté droit.  Remplacez la boîte de commande
Le ventilateur à convection ne s'éteint pas	Court-circuit ventilateur à convection. Le fusible sera grillé et lors du remplacement du fusible le ventilateur fonctionnera sans arrêt.	Vérifiez les fils, ventilateurs et le cordon d'alimentation pour trouver la cause du court-circuit. Remplacez la carte et les pièces défectueuses.
Le ventilateur à convection est bruyant	Les vis qui fixent le ventilateur à convection à l'appareil sont desserrées. Ventilateur à convection sale	Serrez les vis  Nettoyez les palmes ventilateur
Le ventilateur d'extraction ne s'éteint pas	Court-circuit ventilateur d'extraction. Le fusible sera grillé et lors du remplacement du fusible le ventilateur fonctionnera sans arrêt.	Vérifiez les fils, ventilateurs et le cordon d'alimentation pour trouver la cause du court-circuit. Remplacez la carte et les pièces défectueuses.
L'igniteur ne s'éteint pas	Court-circuit igniteur. Le fusible sera grillé et lors du remplacement du fusible l'igniteur fonctionnera quand l'appareil sera en état de marche.	Vérifiez les fils, ventilateurs et le cordon d'alimentation pour trouver la cause du court-circuit. Remplacez la carte et les pièces défectueuses.
Le moteur d'alimentation ne s'éteint pas	Court-circuit moteur d'alimentation. Le fusible sera grillé et lors du remplacement du fusible le moteur d'alimentation fonctionnera quand l'appareil sera en état de marche.	Ouvrez la trémie pour arrêter le moteur d'alimentation. Vérifiez les fils moteur d'alimentation, carte électronique, cordon d'alimentation pour trouver la cause du court-circuit. Remplacez la carte électronique et les pièces défectueuses.
L'appareil ne s'éteint pas	L'appareil fonctionne à maximum	Mettez le bouton de réglage à Fermé (off) Débranchez l'appareil, attendez 15 secondes et mettez-le en marche. L'appareil devrait se mettre en procédure d'arrêt.
Grosse flamme, peu vive, couleur orange.	Appareil sale. Combustible de mauvaise qualité, beaucoup de cendres. Ajustement air/combustible incorrect  Alimentation excessive/Moteur d'alimentation en marche continue	Nettoyez l'appareil, y compris le foyer et le système de ventilation. Nettoyez la sortie d'échappement. Essayez une autre marque de granules. Tournez le bouton de réglage de compensation vers la droite pour augmenter l'air de combustion. Suivez les instructions des mesures correctives si le moteur d'alimentation ne s'éteint pas.
Cendre noire sur la vitre. Une trop grande quantité de combustible dans le foyer tombe dans les sceaux à cendres. et/ou flamme excessive.	Alimentation excessive/Moteur d'alimentation en marche continue	Suivez les instructions des mesures correctives si le moteur d'alimentation ne s'éteint pas.
Suie noire sur le côté de la maison	Sortie d'échappement sale. Alimentation excessive/Moteur d'alimentation en marche continue	Nettoyez la sortie d'échappement. Suivez les instructions des mesures correctives si le moteur d'alimentation ne s'éteint pas symptôme



# 12 Dépannage

**Une alarme a nécessité une action corrective : mettez maintenant le bouton de réglage à OFF ; attendez 10 secondes et remettez-le au réglage désiré OU débranchez l'appareil et attendez 10 secondes avant de le rebrancher.**

Alarme (DEL clignotement ROUGE)	Cause Possible	D'action Corrective
<b>1 Clignotement: Videz la trémie</b> 	<p>Il n'y a pas d'alimentation de combustible dans le foyer pour continuer la combustion</p> <ul style="list-style-type: none"> <li>Trémie vide (1ere possibilité)</li> <li>Tarière coincée (2e possibilité)</li> <li>Pas de sous-vide</li> <li>Couvercle de la trémie ouvert</li> </ul> <p>La flamme est facile à voir, mais la sonde de la sortie ne détecte pas la température élevée de la sortie d'échappement</p> <p>La sonde de la sortie d'échappement n'est pas fixée à la sortie</p> <p>La sortie d'échappement est sale</p>	<p>Remplissez la trémie, vérifiez s'il y a blocage du tube d'alimentation. Vérifiez s'il y a blocage de l'évent et du foyer, nettoyez si nécessaire. Vérifiez le ventilateur d'extraction pour vous assurer qu'il fonctionne, ou fermez le couvercle de la trémie.</p> <p>Vérifiez et nettoyez la sortie d'échappement, foyer, creuset et derrière les chicanes. Vérifiez si la sonde d'échappement est bien fixée sur le côté de la sortie d'échappement.</p>
<b>2 Clignotements: Défaillance sonde sortie d'échappement</b> <i>La sonde de sortie d'alimentation détecte une température négative de moins que 20 degrés Celsius ou supérieure à 300 degrés celsius.</i>	<p>La température d'échappement est supérieure ou inférieure à la plage de température acceptable.</p> <ul style="list-style-type: none"> <li>Défaillance sonde d'échappement</li> <li>N'est pas branché</li> <li>Pièce défectueuse</li> </ul>	<p>Branchez la sonde dans la carte</p> <p>Remplacez la pièce</p>
<b>3 Clignotements: Alarme sonde ambiante</b> <i>La sonde ambiante détecte une température moins que 20 degrés Celsius ou supérieure à 70 degrés celsius.</i>	<p>La température ambiante est supérieure ou inférieure à la plage de température acceptable.</p> <ul style="list-style-type: none"> <li>Défaillance sonde ambiante</li> <li>N'est pas branché</li> <li>Pièce défectueuse</li> </ul>	<p>Branchez la sonde dans la carte</p> <p>Remplacez la pièce</p>
<b>4 Clignotements: Allumage raté</b> <i>Lors du processus d'allumage il n'y a pas de mise à feu de la charge. L'appareil essaiera de nouveau automatiquement après le premier échec.</i>	<p>Combustible</p> <ul style="list-style-type: none"> <li>Pas de combustible</li> <li>Trémie vide</li> <li>Blocage alimentation</li> <li>Alimentation ne tourne pas</li> <li>Moteur de l'alimenteur est débranché ou défectueux</li> </ul> <p>Foyer</p> <ul style="list-style-type: none"> <li>Le foyer est sale, alors le combustible n'est pas près du trou d'allumage dans le foyer</li> </ul> <p>Igniteur</p> <ul style="list-style-type: none"> <li>Pas de démarrage</li> <li>Débris dans le fond de la chambre de l'igniteur</li> </ul>	<p>Remplissez la trémie</p> <p>Vérifiez et débouchez le tube</p> <p>Vérifiez le circuit du moteur de l'alimenteur (le couvercle de la trémie doit être fermé, l'interrupteur sous vide doit être fermé, (c.à-d. le ventilateur d'extraction à on ), et le moteur de l'alimenteur doit être branché.</p> <p>Nettoyez le foyer</p> <p>Vérifiez les conducteurs et si l'igniteur fonctionne. Nettoyez le fond de la chambre de l'igniteur de l'intérieur du foyer (il faut enlever le foyer pour faire ça).</p>
<b>8 Clignotements: Surchauffe de la sortie</b> <i>La température de la sortie d'échappement est supérieure à la température permise.</i>	<p>Combustible</p> <ul style="list-style-type: none"> <li>Moteur d'alimentation en marche continue</li> </ul> <p>Utilisation d'un combustible qui n'est pas approuvé</p> <p>La convección del ventilador sale</p> <ul style="list-style-type: none"> <li>manqué</li> </ul> <p>Installation</p> <ul style="list-style-type: none"> <li>Installation dans un espace restreint, alors il y a peu de circulation d'air autour de l'appareil.</li> </ul>	<p>Vérifiez les taux du moteur et de l'alimentation.</p> <p>Le moteur d'alimentation fonctionne normalement entre 1* et 4* secondes de chaque 7 secondes. (*dépendamment du modèle et du réglage de la combustion).</p> <p>Si le moteur d'alimentation ne s'éteint pas, remplacez la carte électronique.</p> <p>nettoyer</p> <p>remplacer</p> <p>Vérifiez le combustible.</p> <p>Vérifiez l'installation et déplacez si nécessaire.</p>

# 13 Matériel de référence

## A. Les pièces



**Lorsqu'on indique la position d'une pièce c'est toujours COMME SI ON REGARDE LE DEVANT DE L'APPAREIL.**

### 1. Carte électronique

Le tableau de commande est situé sur le côté droit de l'appareil derrière le panneau latéral inférieur droit.

### 2. Ventilateur de convection

Le ventilateur de convection se trouve à l'arrière de l'appareil. Il souffle de l'air à l'arrière du foyer, sur le dessus et le fait sortir devant. L'air est chauffé quand il passe près du foyer.

### 3. Ventilateur d'extraction

Le ventilateur d'extraction se trouve sur le côté gauche de l'appareil. Le ventilateur d'extraction aspire la fumée de l'appareil et la fait circuler dans le système de ventilation.

### 4. Système d'alimentation

Le système d'alimentation peut être consulté dans deux zones. Pour accéder au ressort de la vis, retirez le couvercle de la trémie. Pour retirer le moteur d'alimentation, retirez le panneau latéral et le couvercle du moteur à l'arrière de l'unité.

### 5. Foyer

Le foyer est fait d'acier inoxydable et d'acier robuste laminé à froid. Il s'enlève pour faciliter le nettoyage.

### 6. Fusible

Le fusible est sur la carte électronique. Le fusible est grillé quand il y a un court-circuit et l'appareil s'éteint.

### 7. Bouton de réglage

Le contrôle de l'accès réseau à distance est attaché sur le côté droit de l'appareil. Le cadran large contrôle la sortie de chaleur où le petit cadran ci-dessous le cadran large est la fonction SUPPRESSE. La LED clignote selon l'état de l'appareil.

### 8. Interrupteur de la trémie

L'interrupteur de la trémie est dans le coin supérieure droit de la trémie. Cet interrupteur permet de fermer le moteur de l'alimenteur quand le couvercle de la trémie est ouvert.

### 9. L'igniteur

L'igniteur est installé dans la chambre à l'arrière du foyer en dessous du ventilateur de convection. L'air de combustion se déplace au-dessus de l'igniteur chauffé au rouge créant ainsi de l'air très chaud qui enflamme les granules.

### 10. Bloc d'alimentation

Le raccord du cordon d'alimentation est à l'arrière de l'appareil. Vérifiez la prise de courant pour du 120 volts, 60 Hz (courant ordinaire). Soyez certain que la prise de courant est mise à la terre et que la polarité est correcte. Nous recommandons l'utilisation d'un limiteur de surtension de qualité.

### 11. Sonde d'échappement

La sonde d'échappement est fixée sur le côté de la sortie d'échappement à l'arrière de l'appareil. Elle détecte la température de l'échappement et permet au système de contrôle de prendre des décisions.

### 12. Sonde ambiante

La sonde ambiante se trouve sur le panneau arrière. Elle est dotée d'un fil supplémentaire pour accroître la distance de l'appareil, si requis.

### 13. Rondelle à pression (Protège contre-feu) 200°F (93C)

La rondelle à pression se trouve derrière le tube de la tarière dans le centre de l'appareil et est doté d'un bouton de remise à zéro. Deux fils verts y sont branchés. Enlevez le panneau du côté droit pour y avoir accès. La rondelle à pression éteindra complètement le système si le feu tente d'entrer dans le système d'alimentation ou de pousser l'échappement dans le tuyau d'alimentation. Débranchez le poêle avant de faire la mise à zéro.

### 14. Interrupteur sous-vide

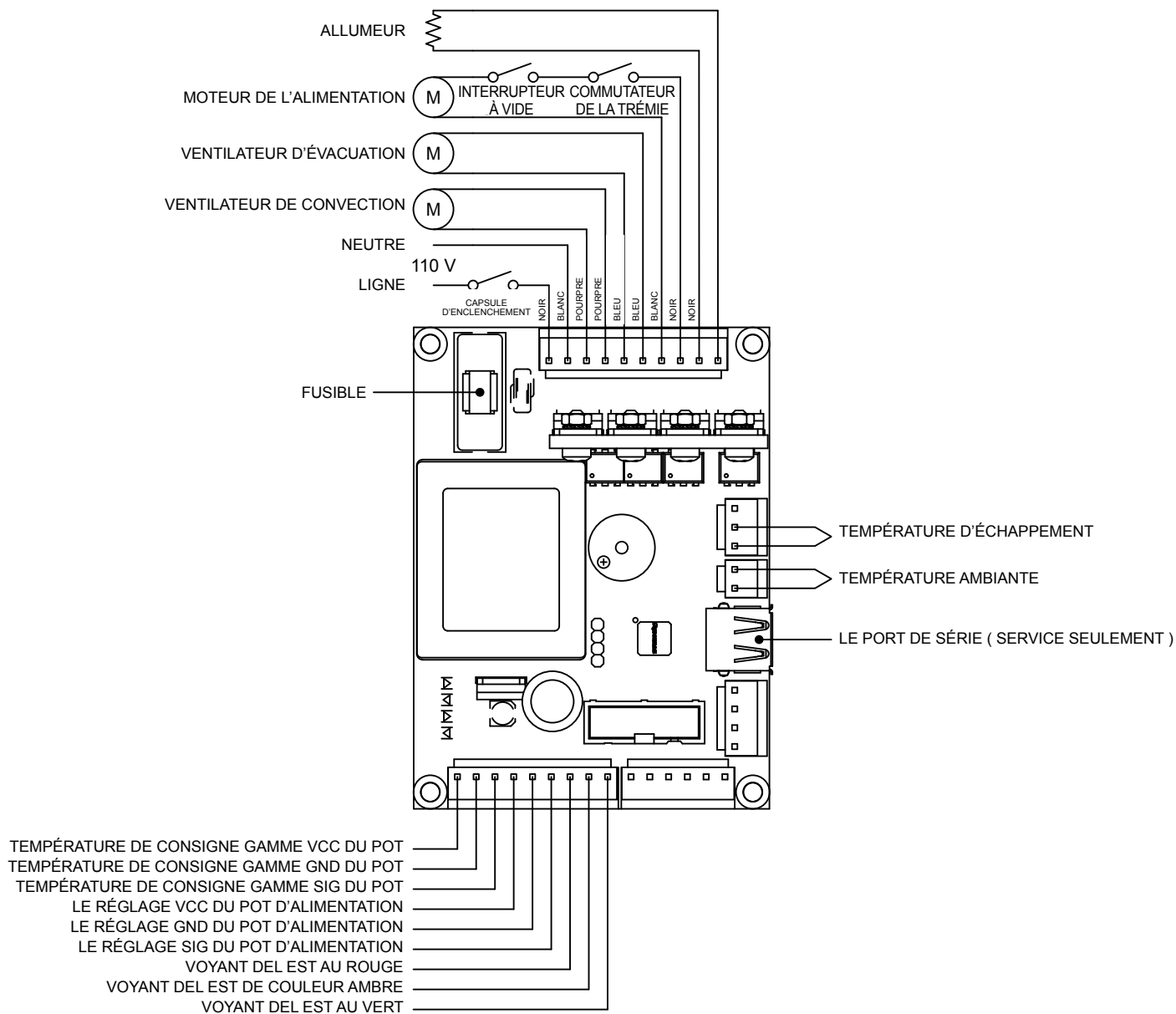
L'interrupteur sous-vide est sur la partie inférieure droite de l'appareil derrière le panneau du côté droit. Deux fils rouges y sont fixés. Cet interrupteur fait démarrer le système d'alimentation lorsqu'il y a un sous-vide dans le foyer. L'interrupteur sous-vide est un mécanisme de sécurité qui éteint le moteur d'alimentation si l'échappement ou le système déchargeur d'air sont sales ou bloqués, ou si la porte du foyer est ouverte ou s'il y a une défaillance du ventilateur d'extraction.

### 15. Prise d'air neuf

Le tube d'air extérieur peut être fixé au tube d'admission de 5 cm diamètre extérieur fixé à l'arrière du foyer. Il faut enlever une plaque d'enlèvement pour faire sortir le tuyau à l'extérieur de l'appareil.

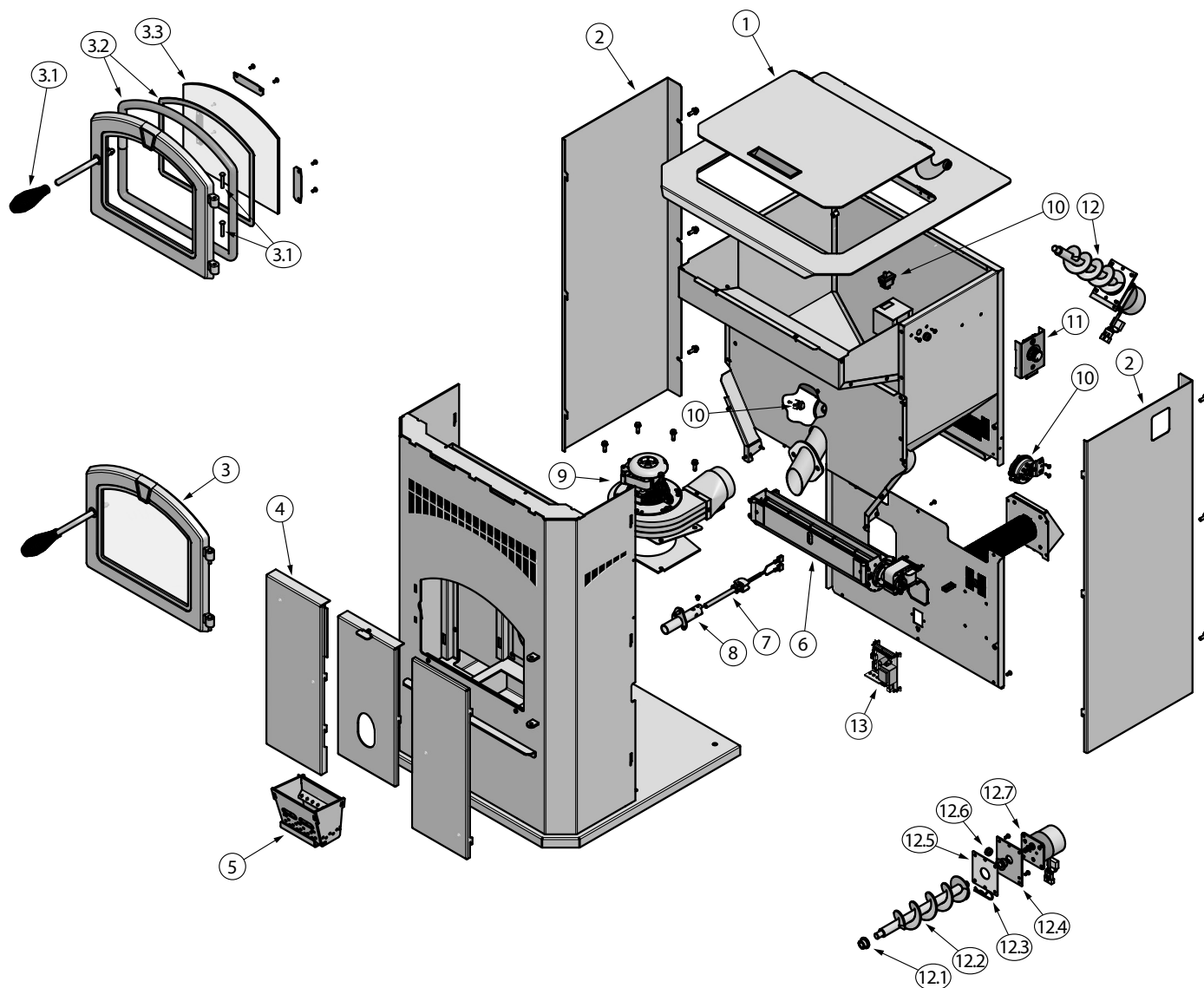
# 13 Matériel de référence

## B. Schéma de câblage



# 13 Matériel de référence

## C. Pièces de rechange



### Pièces de rechange

- |  |  |
|--|--|
| 1. Couvercle de la trémie (1 par unité)                                    | 11. Panneau de touches de commandes              |
| 2. Panneaux Latéraux (2 par unité)   | 12. Pièces d'assemblage de l'alimentation        |
| 3. Pièces d'assemblage de la porte frontale                                | 12.1 Bagues en Bronze (2 par unité)              |
| 3.1 Ressort de poignée et goupilles à charnière                            | 12.2 Pièces d'assemblage de la tarière           |
| 3.2 Corde de joint d'étanchéité de porte et ruban adhésive de la vitre     | 12.3 Goupille du moteur d'alimentation           |
| 3.3 Vitre en céramique de 5mm d'épaisseur                                  | 12.4 Tasseau du moteur d'alimentation            |
| 4. Déflecteurs (3 par unité)*  | 12.5 Joint d'étanchéité du moteur d'alimentation |
| 5. Creuset   | 12.6 Gourmette en caoutchouc                     |
| 6. Ventilateur de convection   | 12.7 Moteur d'alimentation                       |
| 7. Allumeur  | 13. Tableau de commandes*                        |
| 8. Chambre d'allumage  | 14. Sonde d'échappement                          |
| 9. Ventilateur d'évacuation  | 15. Sonde ambiante                               |
| 10. Capsule d'enclenchement, Interrupteur à vide, Commutateur de la trémie |  |

\*LORS DE LA COMMANDE DES PIÈCES DE RECHANGE, VEUILLEZ SPÉCIFIER LE MODÈLE AFIN D'OBTENIR LES BONNES PIÈCES.





# 13 Matériel de référence

## E. Garantie de 5 années

GHP Group garantit que ce poêle à bois neuf, poêle à granules ou cette cheminée encastrable neuve pour foyer en maçonnerie ne comporte pas de défaut de fabrication. La garantie est valide pendant cinq années à compter de la date d'achat, et ce, conformément aux restrictions et conditions suivantes:

1. Cette garantie est offerte seulement au propriétaire initial. Une preuve d'achat est nécessaire. Usage résidentiel seulement.
2. L'appareil neuf de GHP Group doit toujours être installé et utilisé conformément au mode d'emploi fourni avec l'appareil. L'installation doit satisfaire les normes et règlements municipaux et nationaux. La garantie ne couvre pas les dommages causés par un mauvais usage, une modification, un accident ou un surchauffage. NOTE: Un léger déplacement de certaines pièces est normal. Ce n'est pas couvert par la garantie puisque cela n'est pas un défaut de fabrication.
3. La garantie n'est pas transférable et est offerte seulement au propriétaire initial, et ce, à condition que l'achat fut effectué chez un marchand autorisé de GHP Group. Il faut fournir le numéro de série et le reçu sur lequel est-écrit la date d'achat lors d'une demande au titre de la garantie.
4. La garantie couvre seulement la réparation ou le remplacement de pièces qui sont défectueuses ou comportant un défaut de fabrication, et ce, à condition que lesdites pièces furent utilisées et entretenues normalement. Il faudra que GHP Group ou un représentant autorisé confirme la défectuosité suite à une vérification. À la discrétion de GHP Group, il sera ensuite possible d'envoyer la pièce défectueuse à GHP Group. Les frais de livraison au fabricant doivent être prépayés. Un remboursement sera fourni suite à la réception de la pièce défectueuse chez GHP Group.
5. À la discrétion de GHP Group, GHP Group pourra se décharger de toute responsabilité relative à cette garantie en remboursant le prix de gros de la pièce défectueuse, ou des pièces défectueuses.
6. Les coûts reliés à l'installation, la main-d'oeuvre, la construction, le transport ou autres coûts ou dépenses reliés à des pièces défectueuses, réparation, remplacement etc. ne seront pas couverts par cette garantie et GHP Group n'assumera pas la responsabilité. De plus, GHP Group ne sera pas tenu responsable de dommages accessoires, dommages indirects ou préjudices indirects, à moins que prévu dans la loi. La couverture ne sera jamais supérieure au prix d'achat initial, sans aucune exception.
7. Les autres garanties expresses ou tacites relatives à ce produit, les pièces et accessoires et les obligations et responsabilités sont expressément exclues et ne concernent pas GHP Group.
8. GHP Group n'assume pas d'autres responsabilités et ne donne pas la permission à une tierce partie d'assumer d'autres responsabilités au nom de GHP Group en ce qui a trait à la vente de ce produit GHP Group.
9. La garantie décrite dans ce document ne couvre pas les pièces de cheminée et les produits fabriqués par d'autres fabricants et utilisés lors de l'installation de cet appareil. L'utilisation inadéquate de pièces ou l'utilisation de pièces non approuvées peut donner lieu à l'annulation de la garantie. En cas de doute, contactez un fournisseur GHP Group ou le service à la clientèle GHP Group.
10. GHP Group ne sera pas tenu responsable dans les cas suivants:
  - Une aspiration descendante ou un déversement causé par les conditions du milieu, par ex. la proximité d'arbres, d'édifices, de toits, collines et montagnes, ou la conception/installation inadéquate d'une cheminée.
  - Une ventilation insuffisante, une déviation excessive, une pression négative d'air causé par une fournaise, sècheuse, ventilateur, etc.
11. La garantie sera nulle dans les cas suivants:
  - L'appareil a été utilisé dans un endroit où se trouvent des substances chimiques telles que le chlore, le fluor ou d'autres substances chimiques dommageables.
  - L'appareil a été exposé à l'humidité ou la condensation pendant une longue période de temps.
  - L'appareil a été endommagé suite à un dégât d'eau ou un dégât causé par les intempéries qui résultent, sans exclure d'autres possibilités, d'une installation inadéquate de la cheminée ou du système de ventilation.
  - L'appareil a été mal utilisé ou détérioré, et ce, par accident ou volontairement.
  - Des combustibles nocifs comme le bois flotté, le bois préfabriqué ou d'autres combustibles ont été utilisés plutôt que les combustibles mentionnés dans le manuel de l'utilisateur.

- L'appareil, la brique réfractaire et les joints d'étanchéité n'ont pas été bien entretenus

### Portes en verre et des pièces plaquées

Le verre est garanti contre le bris thermique seulement. Pour nettoyer le verre, utilisez un nettoyant céramique / verre ou de vernis. Ne pas utiliser de produits nettoyants à base d'ammoniac. Un produit de nettoyage approprié est disponible chez votre revendeur le plus proche Hearth Agréable. **NE PAS NETTOYER TOUT CHAUD ET NE PAS UTILISER DE NETTOYANTS ABRASIFS.**

Des pièces plaquées ne seront pas couverts par cette garantie. Des pièces plaquées doivent être nettoyés à l'aide de l'alcool dénaturé et ne frottez légèrement avec un chiffon non pelucheux non-abrasif. Frottement excessif ou de polissage peut enlever la finition plaquée. Des pièces plaquées peuvent également être endommagés par des produits chimiques externes.

### Exclusions additionnelles

#### POÊLE À BOIS

1. Les composants électriques, comme le ventilateur sont couverts pendant cinq (5) années à compter de la date d'achat s'ils sont inclus avec l'achat du poêle.
2. La garantie ne couvre pas la peinture, les joints d'étanchéité et la brique réfractaire ainsi que les pièces détachables du foyer, par ex. les supports à briques et les tubes d'air en acier inoxydable.

#### POÊLE À GRANULES:

Période de cinq ans:

1. En acier au carbone et les soudures du foyer sont couverts pendant cinq (5) ans contre le fractionnement.
2. La porte en acier et charnières sont couverts pour les cinq (5) ans contre le fendillement.

Période d'une année:

1. Les pièces comme la trémie, tarière, pot de combustion, plaque de chicanes, tige de la tarière et les attaches sont couverts pendant une (1) année contre les craques, brisures et séparation des joints soudés.
2. Les composants électriques, les accessoires, la vitre et les surfaces peintes du poêle sont couverts pendant une (1) année à compter de la date d'achat.

### SI UNE RÉPARATION DOIT ÊTRE EFFECTUÉE SOUS GARANTIE

Veillez contacter le service à la clientèle GHP Group. Vous devez avoir sous la main votre reçu et le numéro de modèle/série de votre produit GHP Group.

Ne tentez pas d'effectuer une réparation vous-même, sauf si elle a été préapprouvée par écrit par GHP Group, car la garantie en serait annulée. GHP Group doit autoriser la réparation et fournir un numéro de réclamation de garantie avant tout appel de service lié à la garantie. Sans numéro d'autorisation, tout travail de réparation sera reconnu comme non garanti.

### AVIS IMPORTANT

**AVANT D'ALLUMER VOTRE PREMIER FEU, RETIREZ LA PELLICULE PLASTIQUE DE LA GARNITURE ET NETTOYEZ LES SURFACES PLAQUÉES AVEC UN ALCOOL DÉNATURÉ OU UN NETTOYANT LIQUIDE NON ABRASIF POUR LE VERRE. APPLIQUEZ AVEC UN CHIFFON PROPRE ET TRÈS DOUX. NE PAS UTILISER DE PAPIER ESSUIE-TOUT POUR NETTOYER LES PIÈCES PLAQUÉES. NE PAS NETTOYER LES MARQUES ET EMPREINTES DIGITALES DES SURFACES PLAQUÉES POURRAIT CAUSER DES DOMMAGES PERMANENTS.**

REMARQUE : Certains états et provinces n'autorisent pas l'exclusion ou la limitation de dommages accessoires ou indirects. Les précédentes exclusions peuvent ne pas s'appliquer à vous.

**GHP Group, Inc. • 6440 W. Howard St. • Niles, IL 60714**

### CONSERVEZ CETTE GARANTIE

N° de série \_\_\_\_\_  
N° de modèle \_\_\_\_\_  
Date d'achat \_\_\_\_\_

## COORDONNÉES



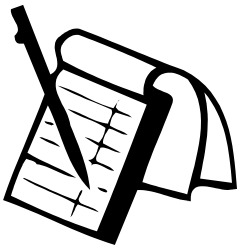
6440 W. Howard St.  
Niles, IL 60714  
877-447-4768

**Veillez contacter GHP Group si vous avez des questions ou des préoccupations.**

[www.ghpgroupinc.com](http://www.ghpgroupinc.com)

**Le service à la clientèle : 1-877-447-4768**

Veillez fournir les informations suivantes lors de votre appel : le numéro de modèle, le numéro de série et le reçu de l'appareil. Vous trouverez ces informations à l'arrière de l'appareil.



**Nous vous suggérons de noter l'information relative à votre poêle à granules GHP Group**

Date d'achat/installation : \_\_\_\_\_

Numéro de série : \_\_\_\_\_ Emplacement sur l'appareil : \_\_\_\_\_

Nom du marchand : \_\_\_\_\_ Coordonnées du marchand : \_\_\_\_\_

Notes: \_\_\_\_\_

\_\_\_\_\_

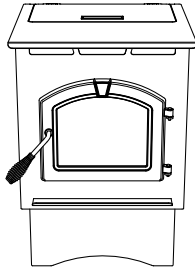
\_\_\_\_\_

Fabriqué pour GHP at  
Qingdao Hichanse Group., Ltd  
No. 25, Wenhua Road  
Jimo, Qingdao, China 266200  
Fabriqué en Chine

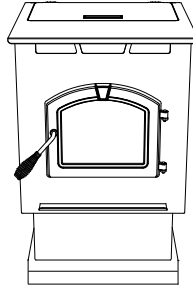




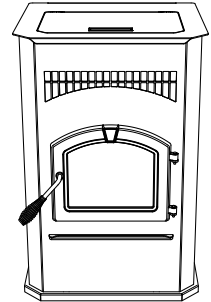
## Estufa de Pellets de Alta Eficiencia



PH35PS



PH50PS



PH50CABPS

### Modelos:

PH35PS Serie - Estufa de Pellets Mediana con Pedestal

PH50PS Serie - Estufa Grande de Pellets con Pedestal y Bandeja en la Base

PH50CABPS Serie - Estufa de Pellets con Gabinete

## Manual del Usuario

Instalación y Operación



**AVISO DE SEGURIDAD: POR FAVOR, LEA TODO EL MANUAL ANTES DE LA INSTALACIÓN Y EL USO DE ESTE CALENTADOR AMBIENTE, QUEMADOR DE PELLETS DE MADERA. EL INCUMPLIMIENTO DE ESTAS INSTRUCCIONES PODRÍA RESULTAR EN DAÑOS A LA PROPIEDAD, LESIONES PERSONALES O INCLUSO LA MUERTE. PÓNGASE EN CONTACTO CON FUNCIONARIOS LOCALES DE CONSTRUCCIÓN PARA CONOCER RESTRICCIONES Y REQUISITOS DE INSPECCIÓN DE LA INSTALACIÓN.**

### CONSERVE ESTAS INSTRUCCIONES

#### Clave de alertas de seguridad:

- **¡PELIGRO!** Indica una situación peligrosa que, si no se evita, causará la muerte o lesiones serias.
- **¡ADVERTENCIA!** Indica una situación peligrosa que, si no se evita, podría causar la muerte o lesiones serias.
- **¡PRECAUCIÓN!** Indica una situación peligrosa que, si no se evita, podría causar lesiones leves o moderadas.
- **AVISO:** Indica prácticas que podrían causar daños al aparato o daños materiales.

**¿Preguntas, problemas, piezas faltantes? Antes de volver a la tienda, llame a nuestro departamento de servicio al cliente al 877-447-4768 de lunes a viernes de 8:30 a.m. a 4:30 p.m. Hora del Centro, o envíenos un correo electrónico a [customerservice@ghpgroupinc.com](mailto:customerservice@ghpgroupinc.com).**



6440 W. Howard St.  
Niles, IL 60714  
877-447-4768

Este calentador cumple con los límites de emisión de la Agencia de Protección Ambiental de EE. UU. Para calentadores de madera vendidos después del 15 de mayo de 2015.



**Intertek**

Certificado a ULC S627  
y ASTM E1509

# Guía de instrucciones de iluminación

## ⚠ PRECAUCIÓN ⚠

Todo el material necesita ser removido del vidrio de la puerta y de la caja de fuego antes de la operación.

**Siga todas las instrucciones y advertencias para un arranque seguro de la estufa. El incumplimiento de las instrucciones podría resultar en lesiones o daños.**

Durante el arranque y el funcionamiento normal, la puerta frontal de su aparato debe estar cerrada.

Los olores y vapores se liberan durante el arranque inicial después de la compra. Si se quema el aparato durante 30 minutos, la pintura se curará. Abra las ventanas o puertas para la circulación del aire hasta que se complete la combustión.

**1.** Gire el control de marcación a OFF y asegúrese de que el aparato esté completamente apagado, Figura 2.1.

**2.** Asegúrese de que el artefacto esté completamente enfriado y limpie la olla de fuego (consulte Limpieza de la olla de incendio en la sección Mantenimiento general del Manual del propietario en Mantenimiento y mantenimiento del aparato).

**3.** Abra la puerta delantera y asegúrese de que todos los deflectores estén instalados apropiadamente, véase Figura 2.2 (vea también Limpie el conducto de escape, los deflectores y el tubo de descarga en la sección Mantenimiento general del Manual del propietario en Mantenimiento y mantenimiento del aparato).

\*Una vez verificado, cierre la puerta.\*

**4.** Inspeccione la tolva y asegúrese de que hay combustible de pellets en la tolva. Si hay combustible en la tolva, cierre la tapa y continúe con el paso 5, Figura 2.3.

NOTA: Si la tolva está completamente vacía, el aparato necesitará agregar combustible de pellets a la tolva y puede necesitar ser cebado (vea cebado del tubo de alimentación en la sección Información general de funcionamiento del Manual del propietario).

**5.** Gire el control de marcación al ajuste deseado.  
-La luz verde empezará a parpadear rápidamente para indicar la secuencia de inicio.

**NOTA: Si el aparato no se enciende, la luz LED parpadeará en rojo 4 veces continuamente indicando una alarma de encendido fallida; Repita los pasos de iluminación 1 a 5.**

NOTA: La alarma de encendido perdida puede tardar hasta 20 minutos.

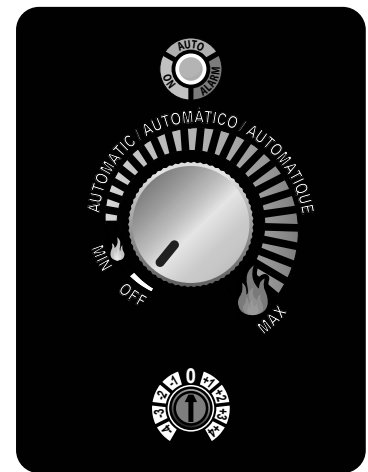


Figura 2.1

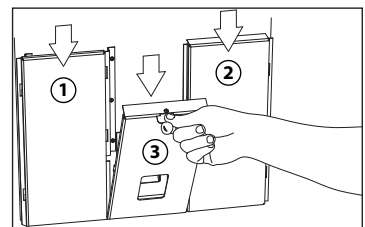


Figura 2.2

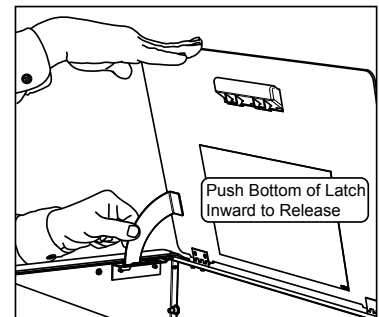


Figura 2.3

## Clave de alerta de seguridad:

- **¡PELIGRO!** Indica una situación peligrosa que, si no se evita, ocasionará la muerte o lesiones graves.
- **¡ADVERTENCIA!** Indica una situación peligrosa que, si no se evita, podría provocar la muerte o lesiones graves.
- **¡PRECAUCIÓN!** Indica una situación peligrosa que, de no evitarse, podría ocasionar lesiones leves o moderadas.
- **AVISO:** indica prácticas que pueden causar daños al electrodoméstico o a la propiedad.

## TABLA DE CONTENIDO

<b>1 Certificaciones y Aprobación de Normas .....</b>	<b>49</b>	<b>6 Primeros Pasos .....</b>	<b>66</b>
A. Certificación del Aparato .....	49	A. Consideraciones de Diseño, Instalación y Ubicación .....	66
B. Aprobado para Casa Rodante .....	49	B. Tiraje .....	66
C. Especificaciones del Vidrio .....	49	C. Presión Negativa .....	66
D. Características Eléctricas (En Alto) .....	49	D. Cómo Ubicar el Aparato y la Chimenea .....	67
E. BTUs y Especificaciones de Eficiencia .....	49	E. Inspección del Aparato y de sus Componentes .....	67
<b>2 Guía del Usuario: Información General .....</b>	<b>50</b>	F. Herramientas y Materiales Necesarios .....	67
A. Protección contra Incendios .....	50	<b>7 Dimensiones y Espacios Libres .....</b>	<b>68</b>
B. Materiales Combustibles / Incombustibles .....	50	A. Dimensiones del Aparato: PH35PS .....	68
C. Material Combustible y Almacenamiento de Combustible .....	50	B. Dimensiones del Aparato: PH50PS .....	68
D. Antes de encenderse por primera vez .....	50	C. Dimensiones del Aparato: PH50CAB .....	69
<b>3 Guía del usuario: Información general de funcionamiento .....</b>	<b>51</b>	D. Distancias a Materiales Combustibles (UL y ULC) .....	69
A. Control de dial del usuario .....	51	E. Requisitos del Tapete para Chimenea (UL y ULC) .....	70
B. Llenando el Alimentador .....	51	<b>8 Información del Respiradero .....</b>	<b>71</b>
C. Preparación del tubo de alimentación .....	52	A. Conexión de la Chimenea y del Sistema de Escape .....	71
D. Prelimpieza de la cámara de combustión .....	52	B. Requisitos de la Terminación de la Ventilación .....	71
E. Apagado .....	53	C. Tablas de Ventilación para Combustión de Pellets .....	72
F. Encendido por Primera Vez .....	53	<b>9 Sistemas de Ventilación .....</b>	<b>73</b>
G. Características del fuego .....	53	A. Vertical - Interior - Instalación típica .....	73
H. Su Aparato de Pellets .....	54	B. A través de la pared y vertical – externa - horizontal .....	73
I. Color de LED de Gráfico de Codificación y Explicación .....	55	C. Instalación vertical para una chimenea existente clase A .....	73
J. Ciclos de Encendido .....	56	D. Mampostería .....	74
K. Funcionando en Mínimo o en Máximo .....	56	E. Mampostería de Alternativa .....	74
L. Funcionando en el Modo Automático .....	56	F. A través de la pared .....	75
M. Espaciamentos .....	56	<b>10 Casa Rodante .....</b>	<b>76</b>
N. Ajuste Fino .....	56	A. Instalación en Casa Rodante .....	76
<b>4 Manteniendo &amp; Reparando Su Aparato .....</b>	<b>57</b>	<b>11 Preparación del Aparato .....</b>	<b>77</b>
A. Procedimiento Correcto de Apagado .....	57	A. Instrucciones del Kit de Aire .....	77
B. Tabla de mantenimiento de referencia rápida .....	57	B. Conecte la Unidad a la Corriente .....	77
C. Mantenimiento General .....	57	<b>12 Solución de problemas .....</b>	<b>78</b>
D. Mantenimiento por Pellet con Alto Contenido de Ceniza .....	61	<b>13 Materiales de Referencia .....</b>	<b>81</b>
E. Preguntas frecuentes .....	62	A. Función de los componentes .....	81
<b>5 Piezas de Repuesto .....</b>	<b>63</b>	B. Diagrama de Cableado .....	82
A. Reemplazo del Ventilador de Convección .....	63	C. Piezas de repuesto .....	83
B. Reemplazo del Ventilador de Escape .....	63	D. Registro de servicio y mantenimiento .....	84
C. Reemplazo del Disco de Interrupción Inmediata .....	64	E. 5 años de garantía .....	87
D. Reemplazo del Encendedor .....	64		
E. Retiro y Reemplazo del Deflector .....	64		
F. Reemplazo del Vidrio .....	65		
G. Reemplazo del Tablero de Control .....	65		
H. Reemplazo del Fusible .....	65		
I. Reemplazo del Motor de Alimentación .....	65		
J. Reemplace el Resorte de Alimentación .....	65		

Inglés Manual .....	1
Francés Manual .....	45

## PRECAUCIÓN

Después de leer estas instrucciones, si usted tiene alguna duda sobre su capacidad para llevar a cabo la instalación de una manera profesional, debe contratar los servicios de un instalador experto en todos los detalles para una instalación correcta y segura. No efectúe improvisaciones temporales durante la instalación.

### ANTES DE LA INSTALACIÓN DE SU APARATO

1. Verifique con la oficina del inspector de construcción que está cumpliendo con la reglamentación de su localidad; se puede requerir un permiso.
2. Utilice un sistema de ventilación de 3 "o 4" (76-102mm) de diámetro tipo "L" o "PL". Se puede ventilar vertical u horizontalmente. Se pueden emplear adaptadores aprobados para conectar el sistema tipo "L" o "PL" a la ventilación aprobada para estufa de madera, tales como los sistemas de ventilación de pared simple o doble pared, previamente utilizados para ventilar un aparato quemador de madera. **INSTALE LA VENTILACIÓN RESPETANDO LAS DISTANCIAS ESPECIFICADAS POR EL FABRICANTE DE LA MISMA.**
3. Siempre conecte esta unidad a un sistema de chimenea aprobado y **NUNCA** ventile hacia otra habitación o dentro de un edificio.
4. **NO INSTALE UN AMORTIGUADOR DE HUMOS EN EL ESCAPE DEL SISTEMA DE VENTILACIÓN DE ESTA UNIDAD.**
5. **NO CONECTE ESTA UNIDAD A UN DUCTO DE CHIMENEA QUE ESTÉ SIRVIENDO A OTRO APARATO.**
6. El tubo conector y la chimenea deben ser inspeccionados periódicamente y limpiados si es necesario. Revisar la información adicional ubicada en la sección de mantenimiento de este manual de Usuario.
7. Respete las distancias de seguridad al colocar muebles u otros objetos dentro del área. Esto incluye materiales sensibles al calor tales como velas, decoraciones de temporada o cortinas. **NO ALMACENE MADERA, LÍQUIDOS INFLAMABLES U OTROS MATERIALES COMBUSTIBLES DEMASIADO CERCA DE LA UNIDAD.**
8. Tenga en cuenta las tolerancias requeridas al ubicar la unidad. Consulte la etiqueta en la parte posterior de la unidad para las tolerancias requeridas.
9. Póngase en contacto con su autoridad de bomberos local, municipal o provincial para obtener información de cómo manejar un incendio en la chimenea. Tenga un plan claro y comprensible para manejar un incendio en la chimenea. En el caso de un incendio en la chimenea, **LLAME A LOS BOMBEROS.**
10. Antes de encender la unidad por primera vez, asegúrese de que el kit de accesorios ha sido removido de la cámara de combustión.

## IMPORTANTE

Es altamente recomendable que la estufa de pellets y la chimenea sean instaladas por un instalador calificado. Un instalador calificado es una persona o entidad que regularmente, en el curso de su actividad habitual, instalan aparatos que queman combustibles sólidos y chimeneas.

### ADVERTENCIA



**Si la información contenida en estas instrucciones no se sigue con exactitud, se puede generar un incendio, causando daños materiales, lesiones personales o la muerte.**

- No almacene o utilice gasolina u otros vapores y líquidos inflamables en las cercanías de este o cualquier otro aparato doméstico.
- No se exceda en el fuego generado - Si el calentador o el conector de la chimenea brillan usted está generando un fuego excesivo. Esta situación anulará la garantía.
- Cumpla con todas las distancias mínimas a los materiales combustibles como se especifica. El incumplimiento puede causar un incendio en la casa.

### ADVERTENCIA



#### ¡SUPERFICIES CALIENTES!

El vidrio y otras superficies están calientes durante la operación Y el enfriamiento

#### **El vidrio caliente puede causar quemaduras.**

- No toque el vidrio sino hasta que se enfríe
- **NUNCA** permita que los niños toquen el vidrio
- Mantenga los niños alejados
- **SUPERVISE CUIDADOSAMENTE** a los niños que se encuentren en la misma habitación donde está la chimenea.
- Alerta a los niños y adultos de los peligros de las altas temperaturas.

#### **Las altas temperaturas pueden prender fuego a la ropa o a otros materiales inflamables.**

- Mantenga la ropa, muebles, cortinas y otros materiales inflamables alejados.

### ADVERTENCIA



#### **Riesgo de incendio.**

Aparato ensayado y aprobado para pellets de madera. La quema de cualquier otro tipo de combustible anulará la garantía.

# 1 Certificaciones y Aprobación de Normas

## A. Certificación del Aparato

<b>Serie:</b>	PH35PS, PH50PS, PH50CABPS
<b>Laboratorio:</b>	Intertek
<b>Informe N °</b>	10072262PRT-001
<b>Tipo:</b>	Calentador de Habitaciones a Combustible Sólido / Quemador de Combustibles Tipo Pellet
<b>Estándar:</b>	ASTM E1509-04 y ULC S627-00, ULC/ORD-C1482-M1990 Calentador de Habitaciones a Combustible Tipo Pellet y (UM) 84-HUD, Aprobado para Casas Rodantes.

**NOTA:** Esta instalación debe cumplir con las normas locales. En ausencia de normas locales usted deberá cumplir con la norma **ASTM E1509-04, ULC S627-00, ULC/ORD-C-1482-M1990, (UM), de 84 de HUD.**

El calentador de pellets Quadra-Fire Pleasant Hearth cumple con los límites de emisiones de la Agencia de Protección Ambiental para calentadores de pellets vendidos después del 15 de mayo de 2015.

Este calentador de pellets necesita inspecciones y reparaciones periódicas para su operación apropiada. Las regulaciones federales prohíben operar este calentador de pellets de manera que sea inconsistente con las instrucciones de operación de este manual.

## B. Aprobado para Casa Rodante

- Este aparato ha sido aprobado para ser instalado en casas rodantes, siempre y cuando no se coloque en dormitorios y que exista una entrada de aire exterior para la combustión.
- La integridad estructural del piso de la casa rodante, de su techo y paredes debe ser mantenida.
- El aparato debe tener un polo a tierra correctamente conectado a la estructura de la casa rodante mediante un cable de polo a tierra de cobre n ° 8, y utilizar únicamente un ducto conector de doble pared certificado.
- El Kit de Aire Exterior que viene con cada aparato debe ser el que se coloque en una instalación de casa rodante.

## C. Especificaciones del Vidrio

Este aparato está equipado con un vidrio en vitro-cerámica de 5 mm. Reemplace el vidrio sólo con uno en vitro-cerámica de 5 mm. Por favor, póngase en contacto con GHP en caso de requerir un vidrio de reemplazo.

## D. Características Eléctricas (En Alto)

<b>PH35PS Serie:</b>	115 VAC, 60 Hz, 2.6 amperios de Arranque, 0,9 amperios durante la operación
<b>PH50PS Serie:</b>	115 VAC, 60 Hz, 2.6 amperios de Arranque, 0,9 amperios durante la operación
<b>PH50CABPS Serie:</b>	115 VAC, 60 Hz, 2.6 amperios de Arranque, 0,9 amperios durante la operación

## E. BTUs y Especificaciones de Eficiencia

\*La entrada en BTUs variará, dependiendo de la marca de combustible que utilice en su estufa. \*\* La capacidad de calefacción dependerá de la zona climática, el diseño de la estructura, el aislamiento, las ventanas, etc.

	PH35	PH50 PH50CAB	
No. de certificación EPA:	907	904	
Emisiones certificadas por EPA:	0.3	0.7	gramos/hora
*Eficiencia probada a PCI:	N/A	N/A	%
*Eficiencia probada a PCS:	83.8	84.4	%
***Salida en BTU según EPA:	9,600 a 25,000	9,300 a 32,400	por hora
****Entrada en BTU:	12,900 a 34,400	12,500 a 43,900	por hora
Tamaño del respiradero:	3 ó 4 pulgadas, "L" o "PL"		
Capacidad de la tolva:	40	80/120	lbs.
Combustible	Pellets de madera		
* Promedio ponderado de eficiencia a poder calorífico inferior (PCI) usando datos recabados durante la prueba de emisiones de EPA.			
**Promedio ponderado de eficiencia a poder calorífico superior (PCS) usando datos recabados durante la prueba de emisiones de EPA.			
***Un rango de salidas en BTU basadas en la eficiencia por defecto de EPA y en las tasas de combustión de las pruebas superior e inferior de EPA.			
****Con base en la máxima velocidad de alimentación por hora multiplicada por aproximadamente 8600 BTUs, que son los BTUs promedio de una libra de pellets.			

**¡ADVERTENCIA! Riesgo de incendio!** GHP se exige de cualquier responsabilidad, y la garantía y la certificación de la agencia serán anuladas por las acciones siguientes.

### NO SE DEBE HACER:

- Instalar o utilizar un aparato dañado
- Modificar el aparato
- Instalar otro que no sea el indicado por el fabricante.
- Hacer funcionar el aparato sin el pleno montaje de todos los componentes
- Excederse en el fuego
- Instalar algún componente que no esté aprobado por el fabricante
- Instalar piezas o componentes no certificados o aprobados
- Desactivar los interruptores de seguridad

La instalación inadecuada, el ajuste, alteración, reparación o mantenimiento pueden causar lesiones o daños a la propiedad.

Para obtener información adicional o asistencia, consulte a un instalador calificado, agencia de servicio o a su distribuidor.

# 2 Guía del Usuario: Información General

## A. Protección contra Incendios

Lo siguiente debe tomarse seriamente en consideración con el fin de brindar suficiente protección contra incendios:

- Instale por lo menos un detector de humo en cada piso de su casa.
- Ubique el detector de humo retirado del aparato de calefacción, y cerca de los dormitorios.
- Siga las instrucciones de ubicación y de instalación del fabricante del detector de humo y hágale mantenimiento regular.
- Instale al menos un detector de monóxido de carbono en cada piso de su casa.
- Siga las instrucciones de ubicación y colocación del fabricante del detector de monóxido de carbono, y dele mantenimiento con regularidad.
- Ubique convenientemente un extinguidor de incendios de Clase A que pueda extinguir incendios pequeños.
- En el caso de un incendio del alimentador:
  - Evacúe la casa inmediatamente.
  - Llame a los bomberos.

## B. Materiales Combustibles / Incombustibles

### • Material Combustible

Material fabricado o recubierto de madera, papel comprimido, fibras vegetales, plásticos, o cualquier otro material capaz de prender fuego, ya sea que sea a prueba de fuego o no, revestido de yeso o no.

### • Material Incombustible

Material que no va a prender fuego. Tal material es aquel consistente enteramente de acero, hierro, ladrillo, baldosín, pizarra, vidrio o yesos, o cualquier combinación de los mismos.

### • Material Incombustible Sellante

Sellantes que no prenden fuego: Mortero de Chimenea #63 de Rutland, Inc., Rutland 76R, Nuflex 304, GE RTV106 o GE RTB116 (o equivalente).

### ADVERTENCIA

Este producto y los combustibles utilizados para poner en funcionamiento este producto (carbón o madera) y los productos de la combustión de tales combustibles, pueden exponerlo a sustancias químicas como el negro de carbón, que según el estado de California, puede provocar cáncer, y el monóxido de carbono, que, según el estado de California, puede provocar anomalías congénitas u otros daños reproductivos.

Para obtener más información, visite [www.p65Warnings.ca.gov](http://www.p65Warnings.ca.gov)

## C. Material Combustible y Almacenamiento de Combustible

La calidad de combustible de pellets puede fluctuar bastante. Le recomendamos que compre tal combustible en lotes de varias toneladas siempre que sea posible. Sin embargo, para asegurarse de su calidad, le recomendamos probar diferentes marcas antes de comprar lotes de varias toneladas.

### Material Combustible

- Hecho de aserrín o subproductos de madera
- Dependiendo del material fuente, éste puede tener un alto o bajo contenido de cenizas.

### Material con Alto Contenido de Ceniza

- Maderas duras con alto contenido de minerales
- Combustible que contiene corteza de árbol
- Pellets de clasificación estándar o de alto contenido de ceniza

### Material con Bajo Contenido de Cenizas

- La mayoría de maderas blandas
- Combustibles con bajo contenido de minerales
- La mayoría de pellets de grado Premium

### Clínteres

Minerales y otros materiales incombustibles tales como arena, se convertirán en una sustancia dura, similar al vidrio, llamada clínter, cuando ésta se calienta en una marmita.

Los árboles de diferentes lugares varían en su contenido mineral. Es por eso que algunos combustibles producen más clínter que otros.

### Humedad

Siempre quemar combustible seco. El quemar combustible con alto contenido de humedad toma calor del mismo combustible y tiende a enfriar el aparato, restándole calor a su casa. Combustible de pellets húmedo puede obstruir el sistema de alimentación.

### Tamaño

- Los pellets son de 1/4 de pulgada o de 5/16 de pulgada (6-8mm) en diámetro
- Su longitud debe ser no mayor de 1-1/2 pulgadas (38 mm)
- La longitud de los pellets puede variar de un lote a otro, siendo aún del mismo fabricante
- Debido a las variaciones en longitud, puede que sea necesario ajustar de vez en cuando la velocidad de alimentación

### Rendimiento

- Un contenido de cenizas superior a lo normal requiere que la marmita y el cajón de la ceniza sean vaciados con mayor frecuencia
- Las maderas duras requieren más aire para quemarse adecuadamente
- Pellets de madera de primera calidad generan la mayor producción de calor
- Pellets de más de 1-1/2 pulgadas (38 mm) pueden producir una tasa de alimentación de combustible inconsistente y / o intentos fallidos de encendido

### Almacenamiento

- Pellets de madera se deben dejar en su bolsa sellada original hasta ser utilizados, con el fin de prevenir la absorción de humedad
- No almacene ningún pellet sin respetar los mínimos espacios libres o en un área que impida la limpieza de rutina y el mantenimiento

## D. Antes de encenderse por primera vez

1. En primer lugar, asegúrese de que su aparato ha sido instalado correctamente y de que todos los requerimientos de seguridad se han cumplido. Preste especial atención a la prevención de incendios y a la ventilación.
2. ¡Vuelva a comprobar que la cámara de combustión está vacíos!
3. Cierre y asegure la puerta.

# 3 Guía del usuario: Información general de funcionamiento

## A. Control de dial del usuario

El aparato tiene un control de dial situado en el lado de la unidad utilizado para la operación diaria. Hay cuatro graduaciones principales en este dial.

1. **Apagado (Off):** Cuando el indicador de dial esté en la posición de apagado (Off) la unidad entrará en un proceso de apagado y permanecerá apagada hasta que el dial se gire hacia una de las otras tres posiciones. El LED parpadeará verde una vez por segundo cuando esté en la posición de apagado (Off).
2. **MIN:** Cuando el indicador del dial se dirige hacia la posición MIN (una pequeña llama en la etiqueta) la unidad estará encendida en bajo hasta que el alimentador se quede sin pellets o el dial sea girado a una posición diferente. Cuando esté en esta posición, el LED estará de color ámbar e iluminado en forma permanente. Cuando esté encendida en este modo, la unidad deberá ser apagada por lo menos una vez al día para la limpieza diaria. Si se utilizan pellets de menor calidad, se pueden requerir apaga dos adicionales en el mismo día.
3. **MAX:** De forma similar al modo MIN, la unidad funcionará continuamente a la rata de encendido alta hasta que se agoten los pellets o el dial sea girado a una posición diferente. Para operar en este modo, gire el dial a la derecha hasta que tranque. El indicador de dial estará señalando la llama grande en la etiqueta. Cuando esté en esta posición, el LED estará de color ámbar e iluminado en forma permanente. Siga las recomendaciones de limpieza diaria cuando esté operando en este modo.
4. **AUTO:** Para operar en el modo automático, gire el dial hacia la derecha hasta el nivel de temperatura deseado. Cuando está trabajando en el modo automático, la unidad cambia el ajuste de encendido basado en la diferencia entre la temperatura ambiente y la temperatura deseada. En otras palabras, la unidad estará encendida en Alto si la diferencia entre la temperatura deseada y la ambiente es mayor de 8 grados Fahrenheit. A medida que la habitación se calienta y la diferencia se hace menor, la unidad automáticamente reducirá la tasa de combustión. Cuando se alcanza la temperatura deseada la unidad se apagará. Y cuando la habitación se enfríe, la unidad se reiniciará automáticamente. Cuando la unidad esté encendida en este modo, el LED parpadeará verde. El número de parpadeos en verde corresponde a la tasa de combustión del momento.



## B. Llenando el Alimentador

Abra lentamente la tapa del alimentador levantando la manija. Las unidades medianas y grandes tienen un pestillo de aseguramiento que se enganchará cuando la tapa del alimentador esté completamente abierta. La tapa del alimentador para el gabinete se abrirá cuando la temperatura pase de noventa grados y permanecerá abierta de forma automática. Llene el alimentador con los pellets.

**PARA USO CON PELLETS DE MADERA ÚNICAMENTE.** Cierre lentamente la tapa del alimentador. Vea la siguiente figura para liberar el pestillo. **NOTA:** La unidad no se alimentará con la tapa del alimentador abierta. Si se deja abierta, la llama se apagará.



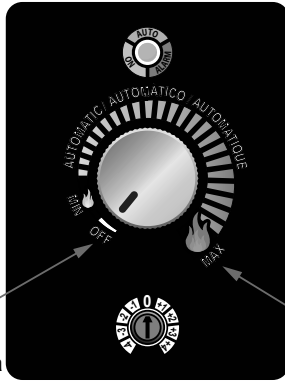
# 3 Guía del usuario: Información general de funcionamiento

## C. Preparación del tubo de alimentación



**¡DETENER! Lea antes de intentar la función principal**

Cuando se intenta la función Prime, es **NECESARIO** manejar el control de marcado **RÁPIDAMENTE** en un solo movimiento de fluido. Si no se realiza correctamente, el aparato no se encenderá.



Esta es la posición para el control de marcado cuando se inicia la característica principal.

Esta es la posición para el control de marcado al completar la función principal.



### ADVERTENCIA

UNA POTENCIA DE FUEGO QUE ES MÁS DE LA MEDIA LLENA ESTÁ LLENADA Y PUEDE SER PELIGROSA. NO LLENE A LA LAMPARA DE INCENDIO PARA LA IGNICIÓN.

El llenado excesivo de la olla de fuego podría causar un encendido inseguro resultando en lesiones o daños. La olla del fuego debe ser vaciada.



MÁXIMO NIVEL DE PELLETS

El tubo de alimentación puede necesitar ser cebado solamente si la tolva está siendo llenada por primera vez o si el aparato se ha quedado sin pastillas. Para cebar el aparato, gire el control de marcado **RÁPIDAMENTE** de la posición OFF a la posición HI, a OFF a HI en un movimiento fluido. La luz del LED será un color verde sólido para indicar una función principal de éxito. Cuando el motor de alimentación está funcionando continuamente, la luz LED será de un color verde sólido. Cuando los gránulos comienzan a caer en el fuego, el tubo de alimentación es cebado. Gire el control de marcado a la posición deseada y el aparato comenzará su secuencia de encendido con una luz verde parpadeante. Permita que el aparato dure hasta 20 minutos para que se produzca la ignición.



### PRECAUCIÓN

No reinicie o agregue manualmente pastillas o cualquier tipo de combustible a la olla de quemado durante este proceso.

Si el aparato no se enciende, la luz LED parpadeará en rojo cuatro veces mostrando una alarma de encendido fallida. Apague el aparato y retire y vacíe el fuego.

Devuelva el fuego al aparato en la orientación correcta. Consulte la figura en Limpieza de la olla de incendio en la sección Mantenimiento general del Manual del propietario en Mantenimiento y mantenimiento del aparato.

Intento de secuencia de encendido (consulte la Guía de instrucciones de iluminación).

## D. Prelimpieza de la cámara de combustión

Una característica de estos calentadores de pellets es el ciclo de prelimpieza de la cámara de combustión. La frecuencia del ciclo es de una vez por cada hora que la unidad está encendida. Durante este evento, la alimentación se reduce a la velocidad más baja y el ventilador de escape aumenta a la velocidad máxima. El objetivo del ciclo de prelimpieza es ayudar a eliminar los desechos de la cámara de combustión y ayudar a que la unidad tenga la combustión más eficiente posible. El ciclo dura 99 segundos. Debe recordar que la prelimpieza no reemplaza a las actividades de limpieza diaria, pero sí las facilita.

## E. Apagado

Para apagar el aparato, gire el control de marcado en sentido antihorario hasta la posición OFF. Durante el proceso de apagado, el LED parpadeará ámbar o verde rápidamente como la secuencia de encendido. El ciclo de quemado de la hornilla comenzará pero sin que el motor de alimentación esté funcionando. El feed se finalizará durante este proceso de apagado. Los sopladores de escape y convección permanecerán encendidos durante el proceso de apagado hasta que el escape se haya enfriado.

Si el mantenimiento o la limpieza diaria se van a llevar a cabo inmediatamente después de un apagado, por favor tenga cuidado pues los componentes especialmente aquellos dentro de la cámara de combustión pueden estar calientes.

**Tenga en cuenta que si el dial se coloca en la posición de apagado (Off) y se devuelve a la posición ON, aún si sea por error, la unidad ejecutará la secuencia de apagado.**



# 3 **Guía del usuario: Información general de funcionamiento**

## **F. Encendido por Primera Vez**

1. **Gire el dial a la posición “OFF”.**
2. **Asegúrese de que el mortero está limpio y libre de residuos.**
3. **Conecte la unidad a la pared y llene el alimentador con pellets de madera. Cierra la tapa del alimentador.**
4. **Gire el dial a la posición deseada de funcionamiento.**

La unidad ejecutará la secuencia de encendido seguida de la puesta en marcha. La secuencia se señala mediante el parpadeo rápido del LED en verde. La secuencia de encendido consiste en que el ventilador de evacuación se prenda, así como también el propio encendedor, y que el motor de alimentación trabaje en dos etapas. La primera etapa consiste en que el motor de alimentación trabaje continuamente durante aproximadamente un minuto, con el fin de precargar pellets en el mortero. Después de la precarga y de una pausa, el motor de alimentación comenzará su ciclo de encendido y apagado. Cuando los pellets se han calentado y están al borde de ignición, no es extraño que la cámara de combustión se llene de humo. Una vez que la ignición se produce, el humo se debería evacuar rápidamente. Durante esta fase, así como de cualquier etapa del proceso de quemado, la puerta del frente no deberá ser abierta. Este ciclo continúa hasta que la unidad detecta el encendido por el aumento de la temperatura de escape o por el agotamiento del tiempo de la unidad. Después del ciclo de encendido, la unidad comienza a alimentarse gradualmente con pellets adicionales por unos cuantos minutos, con el fin de incrementar el fuego. Es importante tener un comienzo controlado para mantener la unidad en equilibrio.

## **G. Características del fuego**

La altura total de la llama variará a lo largo de la quema por dos razones. En primer lugar la llama variará según el tipo de combustible o incluso diferencias entre lotes de combustible. En segundo lugar, la unidad está continuamente detectando cómo es el fuego actual versus el deseado. Con base en lo que se necesita para alcanzar lo deseado con respecto a lo que está sucediendo en realidad, la unidad auto regulará su funcionamiento y las tasas de quemado. Esto no debe causar alarma. La tercera característica que afecta el fuego se refiere al mantenimiento general y a la limpieza. Un mantenimiento general poco frecuente o pobre se traducirá en un menor rendimiento. Los indicadores de la necesidad de que se lleven a cabo actividades adicionales de mantenimiento incluyen una llama perezosa, un vidrio sucio, pellets que no se encienden o que caen a un costado de la marmita. Vea la sección de mantenimiento para obtener información adicional.

### **PRECAUCIÓN**

Olores y vapores liberados durante el encendido inicial.

- El curado de pintura para alta temperatura.
- Abra las ventanas para la circulación del aire.

Los olores pueden ser irritantes para las personas sensibles.

### 3 Guía del usuario: Información general de funcionamiento

#### **⚠ ADVETENCIA**



##### **¡SUPERFICIES CALIENTES!**

El vidrio y otras superficies están calientes durante el funcionamiento Y el enfriamiento.

##### **El vidrio caliente puede causar quemaduras.**

- **NO** toque el cristal antes de que éste se enfríe
- **NUNCA** permita que los niños toquen el vidrio
- Mantenga los niños alejados
- **SUPERVISE ATENTAMENTE** a los niños que estén en la misma habitación de la unidad.
- Alerta a los niños y adultos de los peligros por las altas temperaturas.

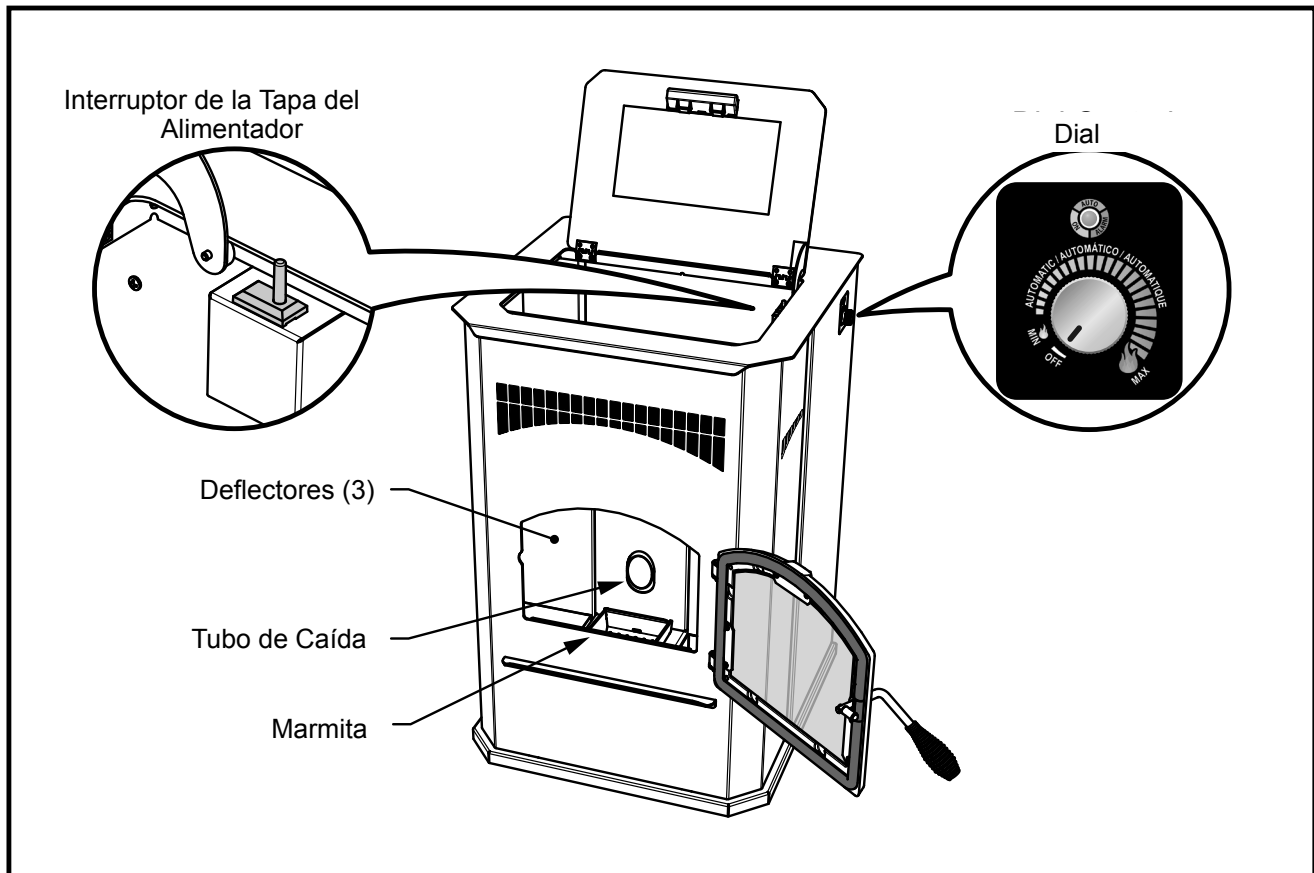
##### **Las altas temperaturas pueden hacer que la ropa u otros materiales inflamables prendan fuego.**

- Mantenga alejados ropa, muebles, cortinas y otros materiales inflamables.

**AVISO:** Si usted cree que haya niños que puedan entrar en contacto con este aparato, se recomienda que instale una barrera tal como una pantalla decorativa. Consulte a su distribuidor para sugerencias.

## H. Su Aparato de Pellets

### Partes Generales de Funcionamiento



# 3 Guía del usuario: Información general de funcionamiento

## I. Color de LED de Gráfico de Codificación y Explicación

Color de LED	Número de Disparos Entre las Pausas	Descripción	Notas
Verde	Encendido Permanente ON (Tiempo máximo 2 minutos)	Motor de Alimentación está funcionando de forma continua. (Esto rellena el tubo de alimentación).	Cuando se esté haciendo el relleno previo del sistema de alimentación y el llenado de la marmita, <b>NO RELLENE EN EXCESO LA MARMITA ANTES DE ENCENDERLA.</b> La unidad pasará automáticamente a la fase de encendido después del relleno previo.
Verde	1x	La unidad está apagada (Off) y lista.	Para encender el aparato, siga la secuencia de encendido.
Verde	Parpadea continuamente	El aparato se encuentra en la puesta en marcha / secuencia de encendido o en el apagado.	Durante el apagado, los ventiladores se apagarán cuando la temperatura de escape se haya enfriado.
Verde	Varia	Cuando está en el modo automático, el número de parpadeos entre pausas indica la tasa de combustión (Desde 1 para Baja hasta 5 para Alta).	Ajuste el dial para cambiar la temperatura ambiente deseada.
Ámbar	Encendido Permanente ON	El aparato está preparado y en funcionamiento bien sea en el mínimo o en el máximo nivel de potencia.	La unidad se apagará sólo cuando el alimentador se quede vacío, el usuario cambie el dial a otro estado, o la unidad detecte un error.
Ámbar	Parpadea continuamente	El aparato está en la secuencia de apagado.	Durante el apagado, los ventiladores se apagarán cuando la temperatura de escape se haya enfriado.
jo	1x	Alarma de Alimentador Vacío	Esta alarma es causada por que el fuego se apaga debido a carencia de pellets.
Rojo	2x	Alarma del Sensor de Escape	Error de falla de componente. Vea la sección de solución de problemas para más información.
Rojo	3x	Alarma del Sensor de Ambiente	Error de falla de componente. Vea la sección de solución de problemas para más información.
Rojo	4x	Encendido Fallido	Hay un total de 2 intentos por secuencia de encendido. Si después de 2 intentos no hay aumento de la temperatura de escape se producirá este error. Vea la sección de solución de problemas para obtener información adicional y corrección.
Rojo	8x	Alarma de Alta Temperatura de Gases de Escape	La temperatura de escape supera el límite permitido. Vea la sección de solución de problemas para obtener más información y corrección.



### ADVERTENCIA



Riesgo de incendio  
NO utilice el aparato:

- Con la puerta del aparato abierta.
- Piso de la marmita abierto.

NO almacene pellets:

- A distancias menores de las requeridas entre material combustible y aparato
- Dentro del espacio necesario para la carga o el retiro de la ceniza.

# 3 Guía del usuario: Información general de funcionamiento

## J. Ciclos de Encendido

1. Al comienzo de cada ciclo de encendido, es normal ver algo de humo en la cámara de combustión. El humo se detendrá una vez que el fuego se inicie.
2. El ventilador de convección se encenderá automáticamente después de que su aparato ha estado combustionando durante 10 minutos aproximadamente.  
Este ventilador transfiere el calor de su aparato a la habitación, y seguirá funcionando incluso después de que la unidad se ha apagado. Se apagará cuando la temperatura de escape se haya enfriado.
3. En ocasiones, el aparato se puede quedar sin pellets y apagarse el solo. Cuando esto sucede la alarma de alimentador vacío se activará.

## K. Funcionando en Mínimo o en Máximo

Cuando el dial se coloca para funcionamiento en mínimo o en máximo, el aparato seguirá funcionando sin tener en cuenta la temperatura actual en la habitación. El aparato se apagará solamente si el dial se coloca en una posición diferente o hay un error como el de alimentador vacío.

Cuando esté funcionando en mínimo o en máximo, es importante llevar a cabo las actividades de limpieza diaria, especialmente la limpieza de la marmita. De lo contrario, se reducirá el rendimiento del aparato.

## L. Funcionando en el Modo Automático

Cuando el dial se coloca en el modo automático, la unidad ajustará la tasa actual de combustión basado en la diferencia entre la temperatura ambiente detectada por la sonda, situada en la parte trasera de la unidad, y el nivel de temperatura deseado tal como se graduó en el dial.

La temperatura se puede graduar entre 65 y 82 grados Fahrenheit.

Una vez que el nivel de temperatura deseado se logra, el aparato se apagará automáticamente. Cuando la temperatura de la habitación se baja 3 grados por debajo del nivel deseado, el aparato se reiniciará automáticamente.



## M. Espaciamientos

**¡ADVERTENCIA! ¡RIESGO DE INCENDIO!** NO coloque objetos inflamables en el frente o en los costados del aparato. Las altas temperaturas pueden encender la ropa, los muebles o cortinas.

**Repisa:** No coloque velas y otros objetos sensibles al calor sobre la repisa o en la chimenea. El calor puede dañar estos objetos.

**AVISO:** Los espaciamientos sólo pueden ser reducidos mediante aprobación por las autoridades reguladoras competentes.

**¡ADVERTENCIA! ¡RIESGO DE INCENDIO!** Mantenga los materiales combustibles, gasolina y otros vapores y líquidos inflamables alejados del aparato.

- **NO** almacene materiales inflamables cerca del aparato.
- **NO** utilice gasolina, combustible de lámpara, queroseno, líquido liviano a base de carbón o líquidos similares para encender o “refrescar” el fuego en este aparato.

Mantenga todos los líquidos de este tipo bastante alejados del aparato mientras que esté en uso, ya que tales materiales combustibles pueden encenderse.

## N. Ajuste Fino

**NOTA: El panel del lado derecho debe ser removido para hacer los ajustes del ajuste con el dial de control**

Para ver una visual, vaya a la página 116 y laterales referencia de la pieza de reemplazo del panel

El pequeño dial situado debajo del control de dial principal se utiliza para ajustar la cantidad de aire de combustión por el fuego. Puede que necesite ajustar el aire de combustión al fuego para: Elevación Configuraciones de instalación de ventilación Calidad del combustible Si el fuego es demasiado grande, perezoso, o producción de hollín negro, necesita más aire. Para aumentar cantidad de aire de combustión, girar a la izquierda un nivel en un momento y espere 15 minutos para que se estabilice antes de hacer otro ajuste. Que si el fuego es demasiado pequeño y a veces se apaga cuando hay pellets en la tolva, puede tener demasiado aire (muy pobre). Para disminuir la cantidad de aire de combustión, gire hacia la derecha un nivel en un momento y espere 15 minutos para que se estabilice antes de hacer otro ajuste.




# 4 Manteniendo & Reparando Su Aparato

## A. Procedimiento Correcto de Apagado

**⚠ PRECAUCIÓN**

**Peligro de Choque Eléctrico y de Humo**



- Gire el dial a la posición OFF; espere que el aparato se enfríe por completo; el ventilador de escape debe estar apagado. Entonces usted puede desconectar el aparato antes de darle mantenimiento.
- El escape de humo hacia la habitación puede ocurrir si el aparato no está frío antes de desconectarlo.
- Riesgo de choque eléctrico si el aparato no está desenchufado antes de darle mantenimiento.

**Siga las instrucciones detalladas en esta sección para cada paso listado como referencia en la tabla a continuación.**

## B. Tabla de mantenimiento de referencia rápida

Limpeza o Inspección	Frecuencia		Diaria	Semanal	Mensual	Anual
Marmita	Cada 3 bolsas de pellets	<input type="radio"/>	X			
Extracción de Ceniza de la Cámara de Combustión	Cada 5 bolsas de pellets o más frecuentemente dependiendo de la formación de cenizas	<input type="radio"/>		X		
Vidrio	Cuando la visibilidad dentro de la cámara de combustión se deteriora	<input type="radio"/>		X		
Alimentador	Cada 25 bolsas de pellets	<input type="radio"/>			X	
Ducto de Escape, Tubo de Caída y Detrás de los Deflectores	Cada 25 bolsas de pellets o más frecuentemente dependiendo de la formación de cenizas	<input type="radio"/>			X	
Manija de la Puerta & Inspección de Empaques	Antes de la Estación Fría	<input type="radio"/>			X	
Ventilador, Convección	Cada 25 bolsas o más frecuentemente dependiendo del ambiente en que trabaja.	<input type="radio"/>			X	
Ventilador, Escape	Más frecuentemente dependiendo del tipo de pellet	<input type="radio"/>				X
Cámara de Combustión - Preparación para la Época Cálida	Al final de la estación fría	<input type="radio"/>				X
Sistema de Ventilación	Cada 3 tons or más frecuentemente dependiendo del tipo de pellet	<input type="radio"/>				X

**AVISO:** Estas son las recomendaciones. Limpie con mayor frecuencia si se encuentra con gran acumulación de ceniza en el intervalo recomendado o si aparece el hollín procedente de la ventilación. **El no hacer limpieza adecuada de su aparato y con la frecuencia debida anulará la garantía.**

# 4 Manteniendo & Reparando Su Aparato

## C. Mantenimiento General

### 1. Tipos de Pellet

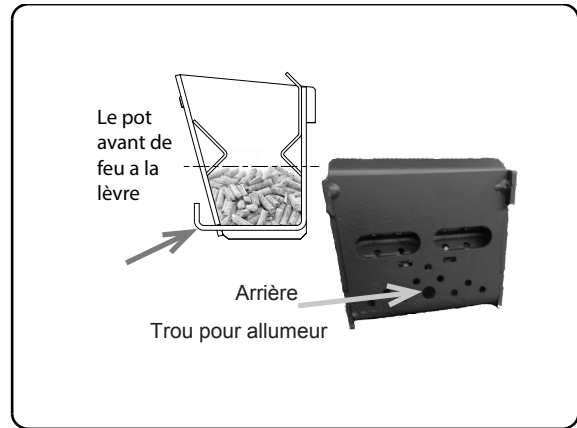
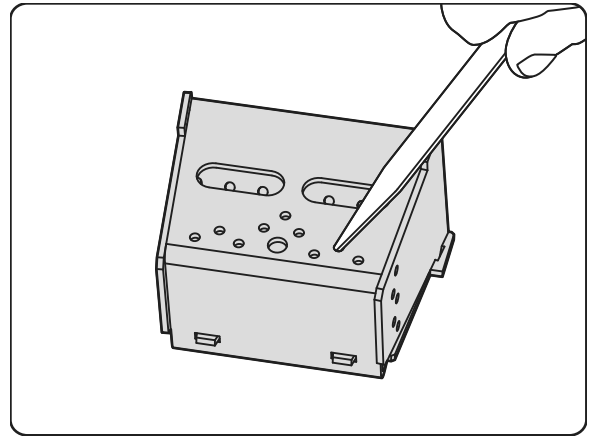
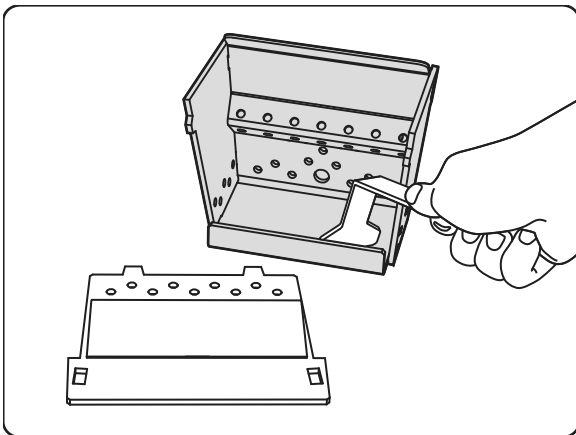
El tipo de pellet que se emplee determinará la frecuencia con la que tiene que limpiar su marmita.

Si el pellet que está utilizando tiene un alto contenido de suciedad o de cenizas, puede ser necesario limpiar la marmita más de una vez al día.

Pellet de baja calidad hará que se formen clínkeres en la marmita. Un clínker se forma cuando suciedad, cenizas o una sustancia no combustible se calienta a 2000°F (1093°C) y se convierte en algo parecido al vidrio. Ver la sección D a continuación para más detalles sobre pellets con alto contenido de ceniza.

### 2. Limpieza de la Marmita mediante la Herramienta de Limpieza para Marmitas:

- **Frecuencia:** Diaria o más frecuentemente según sea necesario
- **Quién:** Propietario de la vivienda.
- a. El aparato debe estar completamente apagado y frío, y el ventilador de escape apagado. Si se está limpiando únicamente la marmita, no hay necesidad de desconectar el aparato.
- b. Abra la puerta del frente del aparato y saque la marmita. Utilice la herramienta de limpieza de marmitas para despegar los depósitos en el interior de la marmita y colocarlos en un contenedor aprobado. Dependiendo de la calidad del combustible utilizado, la fornt de la brasero de fuego pueden necesitar ser retirado por un mejor acceso para la limpieza.
- c. Utilice el extremo angosto de la herramienta de limpieza de la marmita para limpiar los orificios.
- d. Teniendo la marmita afuera, limpie el área por debajo de la marmita.
- e. Vuelva a armar la marmita y colóquela de vuelta dentro del elevador de marmita. Asegúrese de que la marmita está en la dirección correcta con el labio inclinado en la parte de atrás. Si no se instala correctamente, se pueden producir encendidos fallidos.



### 3. Extracción de Cenizas de la Cámara de Combustión

- **Frecuencia:** Semanalmente o con mayor frecuencia en función de la acumulación de cenizas.
- **Quién:** Propietario de la vivienda
- a. No debe haber ninguna ceniza caliente en la cámara de combustión durante la limpieza, para permitir que el aparato se enfríe por completo. La ceniza de la cámara de combustión debe ser eliminada cada vez que el ducto de escape se limpie. La remoción frecuente de las cenizas en la cámara de combustión ayudará a disminuir la acumulación de cenizas en el ventilador de escape y en el sistema de ventilación.
- b. aspire a fondo la cámara de combustión por ambos lados, en el techo y en el piso. Recuerde que debe colocar las cenizas y los escombros en un contenedor metálico o incombustible.

**Ver Eliminación de Cenizas.**


# 4 Manteniendo & Reparando Su Aparato

## 4. Eliminación de Cenizas


- **Frecuencia:** Cuando sea necesario
- **Quién:** Propietario de la vivienda

Las cenizas deben ser colocadas en un recipiente metálico con tapa hermética. El recipiente cerrado con las cenizas debe ser colocado sobre un piso incombustible o sobre el suelo, completamente alejado de todo material inflamable, en espera de su eliminación final.

Si las cenizas se eliminan mediante enterramiento en el suelo o dispersadas localmente, se deben conservar en el contenedor cerrado hasta que todas las cenizas se hayan enfriado completamente.

 **ADVERTENCIA**

Eliminación de las cenizas

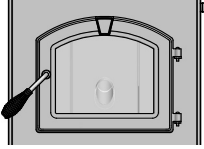


- Las cenizas deben ser colocadas en un recipiente de metal con tapa de cierre hermético.
- Las cenizas deben ser conservadas en el recipiente cerrado hasta que todas las cenizas se hayan enfriado por completo.

## 5. Limpieza del Vidrio

- **Frecuencia:** Cuando la visibilidad de la marmita se deteriora
  - **Quién:** Propietario de la vivienda
- a. El aparato debe estar completamente frío antes de limpiar el vidrio.
  - b. Aspire la ceniza del vidrio y de la cuerda de la puerta.
  - c. Use una toalla de papel húmeda o un limpiador de vidrios no abrasivo. Limpie con una toalla seca.

**PRECAUCIÓN**



Maneje con cuidado el ensamblaje de vidrio.

**Cuando limpie el vidrio:**

- Evite golpear, arañar o cerrar con golpe el vidrio.

- NO limpie el vidrio estando aún caliente.
- NO utilice limpiadores abrasivos.
- Consulte las instrucciones de mantenimiento.
- NO haga funcionar el aparato con el vidrio fisurado, roto o rayado.

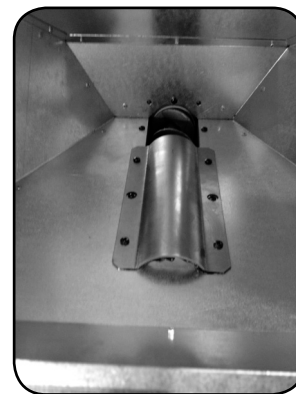
## 6. Limpieza del alimentador

- **Frecuencia:** Mensual o después de la combustión de 25 bolsas de pellets
- **Quién:** Propietario de la vivienda

Después de quemar aproximadamente 25 bolsas de pellets, usted requerirá limpiar el alimentador para evitar la acumulación de aserrín.

Una combinación de aserrín y pellets en el fondo de la barrena reduce la cantidad de suministro de material a la marmita. Esto puede resultar en molestas paradas y en arranques fallidos.

- a. El aparato debe estar completamente apagado. Deje que el aparato agote por completo los pellets y se enfríe.
- b. Vacíe el alimentador de cualquier pellet residual.
- c. Aspire el alimentador y el tubo de alimentación. Para acceder al tubo de alimentación retire los cuatro tornillos de la cubierta de la barrena situada en el interior del alimentador.



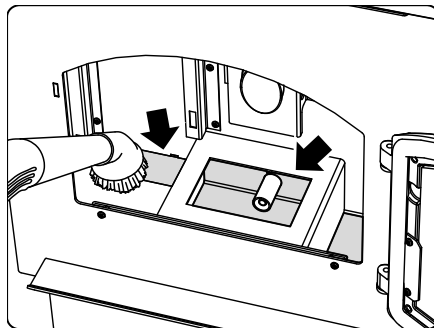
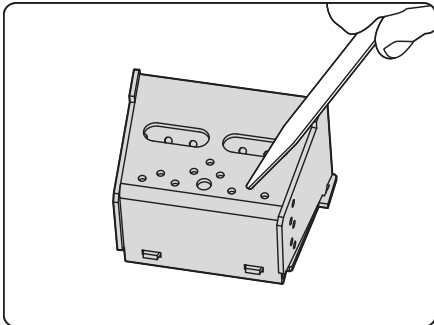
# 4 Manteniendo & Reparando Su Aparato

## 7. Limpieza del Ducto de Escape, los Deflectores & el Tubo de Caída

- **Frecuencia:** Mensual o cada 25 bolsas, o con mayor frecuencia dependiendo de la acumulación de cenizas.
  - **Quién:** Propietario de la vivienda
- a. El aparato debe estar completamente frío.
  - b. Abra la puerta y retire primero el deflector central y luego los deflectores derecho e izquierdo. Aspire a fondo el ducto de escape y el tubo de caída y prosiga con el resto de la cámara de combustión. También aspire la parte delantera y trasera de los deflectores.
  - c. Utilizando un pequeño cepillo, cepille las paredes internas de la salida de escape desde el orificio de acceso dentro de la cámara de combustión. El orificio de acceso quedará visible después de retirar el deflector del lado izquierdo. Después de aflojar los residuos en las paredes internas de la salida, aspírelos.

**Esto es importante ya que el sensor de temperatura de escape está conectado a la parte derecha de la salida. Si éste no se limpia de forma periódica, el aparato experimentará molestos apagados y/o encendidos fallidos.**

- d. Vuelva a colocar los deflectores derecho e izquierdo y luego el del centro; cierre y asegure la puerta.



## 8. Manija de la Puerta de Inspección

- **Frecuencia:** Mensual o antes de la época de frío
- **Quién:** Propietario de la vivienda

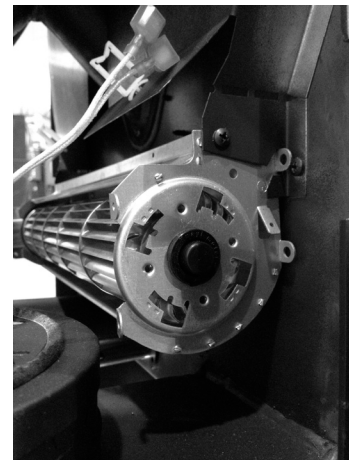
La empaquetadura entre el vidrio y la cámara de combustión debe ser inspeccionada periódicamente para asegurarse de que hay un buen sellamiento.

**NOTA: GHP recomienda utilizar una aspiradora para trabajo pesado específicamente diseñada para limpieza de aparatos de combustible sólido.**

## 9. Limpieza del Ventilador de Convección - No Requiere Lubricación

- **Frecuencia:** Mensual, dependiendo de polvo / acumulación de suciedad
  - **Quién:** Propietario de la vivienda o Técnico de Mantenimiento Calificado
- a. Asegúrese de que el aparato se ha dejado enfriar y ha sido desconectado.
  - b. Retire el panel lateral derecho.
  - c. Barra o aspire cualquier acumulación en los impulsores. Utilice un cepillo o aire comprimido para aflojar la suciedad si es necesario.

Evite dañar los impulsores.





# 4 Manteniendo & Reparando Su Aparato

## 10. Limpeza del ventilador de escape - No Requiere Lubricación

- **Frecuencia:** Anual o con mayor frecuencia en función de la acumulación de cenizas
  - **Quién:** Propietario de la vivienda o Técnico de Mantenimiento Calificado
- a. Asegúrese de que el aparato se ha dejado enfriar, se ha desconectado y el ventilador de escape está apagado.
  - b. Retire el panel lateral izquierdo.
  - c. Retire los seis tornillos que sujetan el motor del ventilador de escape a la carcasa y saque el motor. Hágalo con cuidado para no dañar la empaquetadura cuando se retire el ventilador. Si se daña, instale una nueva empaquetadura, la cual está disponible como pieza de recambio.
  - d. aspire los impulsores del ventilador. Tenga cuidado de no doblar o dañar las aletas del ventilador.
  - e. Mediante un cepillo o una aspiradora, limpie el interior del tubo de escape.
  - f. Vuelva a colocar el motor. Asegúrese de que los cables están conectados a los terminales en el ventilador.



## 11. Preparación de la Cámara de Combustión para el Receso durante la Temporada Cálida

- **Frecuencia:** Anual
  - **Quién:** Propietario de la vivienda
- a. Asegúrese de que el aparato se ha dejado enfriar, se ha desconectado y el ventilador de escape está apagado.
  - b. Retire toda la ceniza de la cámara de combustión y aspire a fondo.
  - c. Pinte todo el metal expuesto, incluyendo el hierro fundido.
    - Compre pintura para alta temperatura donde su distribuidor local.
    - Se debe utilizar una pintura para alta temperatura hecha específicamente para aparatos de calefacción.

## 12. El Hollín y la Ceniza Volante: Su Formación y la Necesidad de Retirarlos del Sistema de Ventilación de Escape.

- **Frecuencia:** Anual o con mayor frecuencia en función de la acumulación de cenizas.
- **Quién:** Técnico Calificado de Mantenimiento / Propietario de la vivienda

Asegúrese de que el aparato se ha dejado enfriar, se ha desconectado y el ventilador de escape está apagado.

Los sub-productos de la combustión contienen pequeñas partículas de ceniza volante. La ceniza volante se acumulará en el sistema de ventilación de escape y restringirá el flujo de los gases de combustión.

En la puesta en marcha, si hay combustión incompleta, o si el aparato se para o hay un mal funcionamiento del mismo, se producirá alguna formación de hollín. Este se acumulará en el sistema de ventilación de escape.

La ventilación (chimenea) del sistema puede necesitar ser limpiada al menos una vez al año o con más frecuencia dependiendo de la calidad de los pellets o de si hay tramos de tubería horizontal. La ceniza se acumulará más rápidamente en los tramos horizontales y en los codos.

# 4 Manteniendo & Reparando Su Aparato

## D. Mantenimiento por Pellet con Alto Contenido de Ceniza

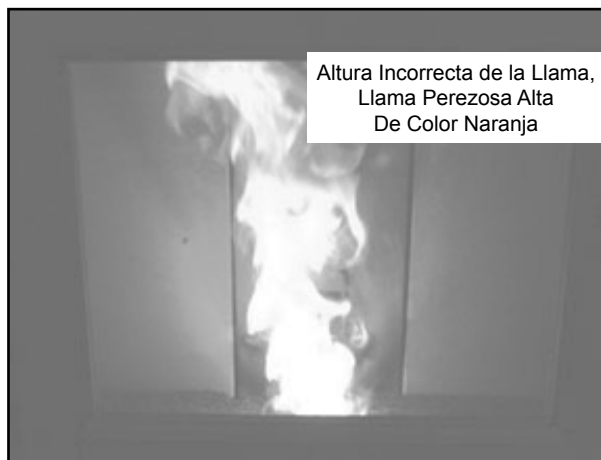
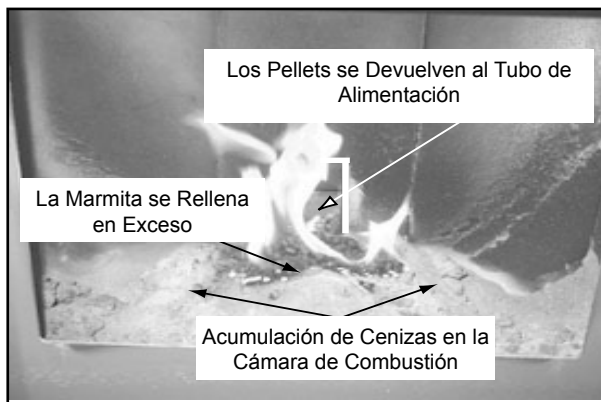
- **Frecuencia:** Cuando sea necesario
- **Quién:** Propietario de la vivienda

La mala calidad del pellet de madera, o la falta de mantenimiento, pueden crear las condiciones que hacen que la marmita se llene rápidamente con cenizas y clínkeres.

Esta condición hace al aparato susceptible a que la marmita se rellene demasiado con pellets; esto puede producir humo, hollín, y posibles incendios del alimentador. La siguiente figura muestra un ejemplo donde un sobrellenado de la marmita hace que los pellets se devuelvan al tubo de alimentación y que las cenizas se acumulen en la cámara de combustión.

Un método ineficiente y no económico de combustionar pellets, debido a una pobre calidad de los mismos se muestra a continuación.

Si la acumulación de cenizas excede el punto medio en la marmita **SE REQUIERE ATENCIÓN Y LIMPIEZA INMEDIATAS.**



# 4 Manteniendo & Reparando Su Aparato

## E. Preguntas frecuentes

### ¿Qué causa el que mi vidrio se ensucie?

Si el vidrio presenta acumulación de ceniza blanca esto es normal y el vidrio debe ser limpiado. Si se trata de una acumulación de hollín negro, el flujo de aire a través de la unidad puede estar restringido. La causa más frecuente es que se haya vencido el tiempo para hacerle mantenimiento y limpieza a la unidad. Consulte la sección "Manteniendo y Limpiando el Aparato" en el manual del propietario.

### ¿Cómo puedo hacer para que el aparato me suministre más calor?

La causa más frecuente de la disminución de la producción de calor es que se ha vencido el tiempo para hacerle mantenimiento y limpieza a la unidad. "Manteniendo y Limpiando el Aparato" en el manual del propietario.

### ¿Qué debo hacer si huelo humo o si hay ceniza / hollín proveniente del aparato?

Aunque siempre habrá algún olor a humo proveniente de aparatos que queman madera (incluyendo pellets), debe investigar el ducto de ventilación para asegurarse de que está sellado correctamente. La mayoría de los ductos de ventilación requieren silicona para sellar las costuras. Además la mayoría de las casas se construyen hoy en día muy apretadas unas a otras y por ello los sistemas de escape pueden crear una presión negativa en la casa. Consulte la sección "Presión Negativa" bajo "Primeros Pasos" en el manual del propietario, en el caso de que haya chequeado la ventilación pero todavía tiene humo saliendo del aparato. Para ceniza u hollín verifique lo anterior así como también la carcasa del ventilador de escape y los sellos.

### ¿Por qué mi aparato funcionó bien el invierno pasado pero no arrancó este otoño?

Es posible que la estufa no haya sido preparada adecuadamente para el receso durante la temporada cálida. Consulte "Solución de Problemas" en el manual del propietario.

### ¿Por qué el metal en el interior del aparato podría comenzar a formar escamas?

Hay algunas fábricas de pellets que obtienen sus materias primas de aserraderos que compran troncos de madera transportados sobre el agua de mar. Estos pellets pueden tener un mayor contenido de sal y puede hacer que el metal en la unidad se corroa prematuramente y se deteriore. Si usted ve algún componente dentro de la cámara de combustión que se está deteriorando, se recomienda cambiar la marca de pellets inmediatamente.

### ¿Hay un lugar para lubricar los ventiladores de tal forma que se apacigüe su ruido?

La causa más común de ventiladores ruidosos proviene de los impulsores que se tornan sucios con el tiempo. Consulte la sección "Mantenimiento y Limpieza General" bajo "Mantenimiento y Limpieza del Aparato" en el manual del propietario. Ningún tipo de lubricación necesita ser aplicado jamás a los ventiladores.

### ¿Cuál es el objeto de metal con curvatura que vino dentro de la bolsa de plástico?

Se trata de una herramienta de ayuda en la limpieza de la marmita y de eliminación de cualquier atascamiento en el caso eventual de que ocurriese tal situación dentro del tubo de alimentación.

### ¿Por qué hay residuo negro acumulándose en la parte exterior de mi casa?

El viento puede hacer que esto suceda. Si el aparato está funcionando correctamente muy poco hollín debería salir por la tapa terminal. También verifique que la ventilación está instalada según el manual del propietario y las normas locales.

### ¿Necesito un kit de aire exterior?

El aire exterior es requerido para instalaciones en casas rodantes y también en algunas jurisdicciones. Consulte la sección "Certificaciones & Aprobación de Normas", "Instalación en Casa Rodante" y "Preparación del Aparato" del manual del propietario. También refiérase a las normas de construcción locales.

### Estoy viendo chispas saliendo de mi ducto de ventilación (tapa terminal). ¿Es esto normal?

Sí, es normal. No hay ningún peligro siempre y cuando se hayan respetado las distancias mínimas al material combustible.

### Me quedé sin energía eléctrica ¿Tiene esta unidad un interruptor de circuito, un fusible o un botón de re-inicialización?

Esta unidad cuenta con un fusible de servicio en el tablero de control y un interruptor de apagado inmediato reinicializable acoplado al tubo de alimentación.

### ¿Dónde está ubicado el # de serie de mi unidad?

El maíz no es un combustible aprobado.

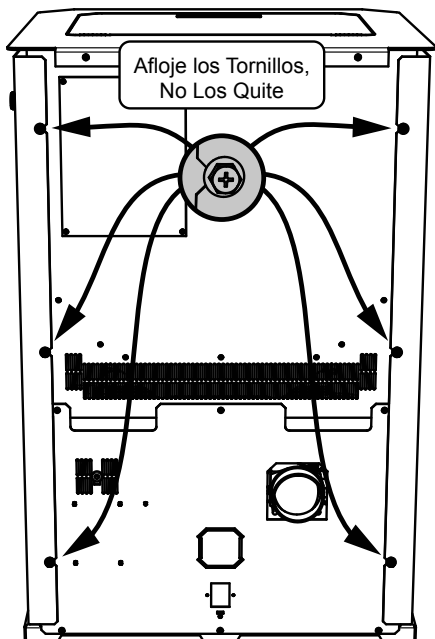
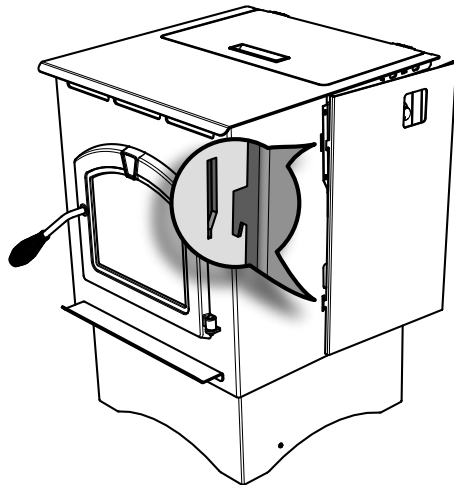
### ¿Dónde está ubicado el # de serie de mi unidad?

El número de serie está situado en la parte posterior de la estufa.

# 5 Piezas de Repuesto

## A. Reemplazo del Ventilador de Convección

1. Gire el dial a la posición de apagado (Off). Desconecte la alimentación eléctrica de la unidad.
2. El ventilador de convección está localizado en la parte posterior de la unidad.
3. Utilice un destornillador de estrella # 2 para aflojar los tornillos en la parte posterior de la unidad los cuales sujetan el panel lateral. No es necesario quitar los tornillos. Retire los paneles laterales, levantándolos hacia arriba y hacia afuera.
4. Desenchufe los cables del motor del ventilador de convección ubicado en el lado derecho de la unidad.
5. Retire los dos tornillos que sujetan la carcasa del ventilador de convección a la lámina metálica de la cámara. Con un ligero movimiento de torsión, gire la parte posterior del ventilador hasta que se suelte.



## B. Reemplazo del Ventilador de Escapeo

1. Gire el dial a la posición de apagado (Off). Desconecte la alimentación eléctrica a la unidad.
2. Retire el panel lateral derecho, aflojando los dos o tres pernos en la parte trasera de la unidad.
3. Desconecte 2 cables blancos de los cables blanco y azul del ventilador de escape.
4. Retire el motor del ventilador acoplado a una placa desmontable en el ventilador de escape. Dependiendo del modelo, utilice una copa de 1/4 pulgada, o un aflojador de tornillos de 1/4 de pulgada o un destornillador de estrella # 2 para aflojar los 6 tornillos en los huecos en forma de cerradura y gire la placa. Sólo es necesario aflojar los tornillos..
5. Retire el ventilador de escape y la empaquetadura.
6. Verifique si hay desgaste en la empaquetadura y reemplácela si es necesario utilizando la empaquetadura incluida en el kit.
7. Vuelva a instalar en orden inverso.

# 5 Piezas de Repuesto

## C. Reemplazo del Disco de Interrupción Inmediata

### Encendido – Re-inicialización Manual

1. Gire el dial a la posición de apagado (Off). Desconecte la alimentación eléctrica a la unidad.
2. Utilice un destornillador de estrella # 2 para aflojar los tornillos en la parte posterior de la unidad los cuales sujetan el panel lateral izquierdo. No es necesario quitar los tornillos. Retire los paneles laterales, levantándolos hacia arriba y hacia afuera.
3. Localice el disco de interrupción inmediata en el lado superior del tubo de alimentación donde se encuentra con el alimentador. Desconecte los cables que salen del disco de interrupción inmediata.
4. Con un destornillador de estrella #1, quite los dos tornillos de sujeción 6-32 que retienen el disco interrupción inmediata contra el costado del tubo de alimentación.
5. Utilizando los mismos tornillos de sujeción, acople el nuevo disco de interrupción inmediata. Conecte de nuevo los cables.
6. Restablezca la energía eléctrica.



## D. Reemplazo del Encendedor

1. Gire el dial de control a la posición de apagado. Desconecte la alimentación eléctrica a la unidad.
2. Desenchufe los cables que llegan al encendedor.
3. Quite el tornillo en el lado de la cámara de ignición. Pince los extremos de la abrazadera al tiempo y hale el encendedor hacia afuera de la cámara de ignición.
4. Si hay dificultad en sacar el encendedor de la cámara, éste puede ser retirado por la parte posterior de la cámara de combustión, quitando el perno de 1/4-20.
5. Instale el nuevo encendedor dentro de la cámara utilizando la abrazadera.
6. Inspeccione el encendedor por la parte frontal de la unidad quitando la marmita y observando hacia el fondo de la cámara. **ASEGÚRESE DE QUE EL ENCENDEDOR ESTÁ CENTRADO DENTRO DE LA CÁMARA.**



## E. Retiro y Reemplazo del Deflector

1. Gire el dial hasta la posición de apagado (Off). Asegúrese de que la unidad se haya enfriado.
2. Retire primero el deflector central utilizando la manija que está en la parte superior del deflector y hale hacia arriba y luego hacia usted. Los ganchos en el deflector se deslizarán hacia afuera de las ranuras en la abrazadera.
3. Retire el deflector izquierdo y luego el derecho jalando hacia arriba y luego hacia usted. Los deflectores izquierdo y derecho tienen ganchos y ranuras similares.

# 5 Piezas de Repuesto

## F. Reemplazo del Vidrio

### ADVERTENCIA



- El vidrio es de 5 mm de espesor, en vitro-cerámica, resistente a las altas temperaturas.
- NO LO REEMPLACE con ningún otro material.
- Otro material se puede romper y causar lesiones.

1. Abra la puerta del aparato, levantándola hacia afuera de los pernos de la bisagra. Acuéstela boca abajo sobre una superficie plana.
2. Utilizando un destornillador de estrella, quite las 3 abrazaderas y déjelas a un lado.
3. Retire el vidrio viejo y reemplácelo por el nuevo.
4. Vuelva a colocar las abrazaderas utilizando los mismos tornillos.

## G. Reemplazo del Tablero de Control

1. Gire el dial a la posición de apagado (Off). Desconecte la alimentación eléctrica a la unidad.
2. Desconecte los cables del tablero de control. Los conectores son conectores de bloqueo. Pince la lengüeta de liberación en cada conector y hale suavemente, sacudiendo hasta que suelte.
3. Pince los 4 pines plásticos de la parte trasera de la unidad para liberar los conectores del tablero de control.
4. Instale el nuevo tablero siguiendo los pasos en orden inverso.



## H. Reemplazo del Fusible

1. Gire el dial a la posición de apagado (Off). Desconecte la alimentación eléctrica a la unidad.
2. Hale la cubierta plástica del conector del fusible del tablero de control.
3. Reemplace el fusible con uno de 5AMP 120VAC únicamente.
4. Vuelva a colocar la cubierta en el soporte del fusible y reinicie la unidad.

## I. Reemplazo del Motor de Alimentación

1. Gire el dial a la posición de apagado (Off) y desconecte la unidad. Retire el panel lateral derecho y la placa que cubre el motor de alimentación en la parte trasera de la unidad.
2. Desconecte los cables conectores del motor.
3. Con unas pinzas, retire el pasador.
4. Retire el motor de alimentación del eje de alimentación.
5. Instale el nuevo motor de alimentación alineando el agujero de paso en el eje del motor de alimentación con el eje del resorte en espiral.
6. Reconecte los cables del motor de alimentación y restaure la energía.



## J. Reemplace el Resorte de Alimentación

1. Vacíe el alimentador de todo pellet. A continuación siga los pasos para retirar el motor de alimentación como se indicó antes.
2. Retire los cuatro tornillos que sujetan la abrazadera del motor de alimentación.
3. Deslice el ensamble de la barrena hacia afuera desde la parte inferior trasera de la unidad.
4. Inspeccione los cojinetes de bronce; reemplácelos si es necesario.
5. Instale el nuevo conjunto del resorte siguiendo los pasos en orden inverso, volviéndolo a acoplar al motor de alimentación.



# 6 Primeros Pasos

## A. Consideraciones de Diseño, Instalación y Ubicación

**AVISO:** Verifique las normas de construcción antes de la instalación.

- La instalación DEBE OBLIGATORIAMENTE cumplir con las normas y reglamentaciones locales, regionales, estatales y nacionales.
- Consulte con la compañía aseguradora, el inspector de construcción local, los bomberos o autoridades que tengan jurisdicción sobre restricciones, inspecciones de instalación y permisos.

Dado que el material proveniente de la combustión de pellets que se expulsa puede contener cenizas, hollín o chispas, usted debe tener en cuenta la ubicación de:

- Ventanas
- Tomas de Aire
- Aire acondicionado
- Saliente, plafones, techos de porches, paredes adyacentes
- Jardines, vegetación

Al ubicar el sistema de ventilación, instale la terminación del sistema por encima de la línea de la cubierta si posible.

**AVISO:** Ubicar el aparato en un lugar de considerable movimiento de aire puede causar escape intermitente de humo. No ubique el aparato cerca de:

- Puertas que se abren frecuentemente
- Salidas centrales de la calefacción o retornos

## B. Tiraje

Tiraje es la diferencia de presión necesaria para ventilar correctamente los aparatos. Cuando un aparato está hablando correctamente, todos los productos de la combustión salen de la casa a través de la chimenea.

Consideraciones para un tiraje correcto incluyen:

- Evitar una presión negativa
- La ubicación del aparato y de la chimenea

Para medir el tiraje o presión negativa en su aparato utilice un Magnehelic o medidor digital de presión capaz de leer 0 - .25 pulgadas de columna de agua (W.C.).

Para la medición, el aparato debe estar funcionando en alto durante por lo menos 15 minutos.

Con la estufa funcionando en alto debe haber una presión negativa igual o mayor que el número dado en la tabla. Si usted tiene una lectura más baja de la que encuentra en la tabla, la estufa no tiene un adecuado tiraje para asegurar que los pellets se quemén apropiadamente.

MODELO	Requisitos Mínimos de Vacío
PH35PS	0.17 pulgadas W.C.
PH50PS	0.17 pulgadas W.C.
PH50CAB	0.17 pulgadas W.C.

## B. Tiraje (cont.)

Corrija un tiraje bajo, o problemas de baja succión llevando a cabo una de las siguientes operaciones:

- Limpie muy bien la ruta de evacuación de gases y la ventilación. Consulte la sección Mantenimiento.
- Inspeccione si hay empaquetaduras desgastadas o rotas. Reemplace cualquier empaquetadura que se sospeche con fuga.

**AVISO:** GHP no asume ninguna responsabilidad por el funcionamiento incorrecto del sistema de chimenea causado por:

- Tiraje inadecuado debido a condiciones ambientales
- Corrientes descendentes
- Estructura construida con cierre hermético
- Dispositivo mecánico de evacuación

## C. Presión Negativa

**¡ADVERTENCIA! ¡Peligro de Asfixia!** Una presión negativa puede provocar el esparcimiento de humos de combustión y de hollín.

La presión negativa es el resultado de la carencia de aire disponible para que el aparato funcione correctamente. Puede ser más notoria en los pisos más bajos de la casa.

Las causas incluyen:

- Ventiladores de escape (cocina, baño, etc.)
- Campanas extractoras de cocina
- Requerimientos de aire de combustión para hornos, calentadores de agua y otros aparatos de combustión
- Secadoras de ropa
- Ubicación de retornos de aire al horno o al aire acondicionado
- Desequilibrios del sistema de manejo de aire HVAC
- Fugas de aire en los pisos superiores, tales como:
  - Huecos asociados con iluminación empotrada
  - Compuerta del ático o ventanas abiertas
  - Fugas de ductos

Para minimizar los efectos de la presión de aire negativa:

- Instale el kit de aire exterior con la toma de frente a los vientos dominantes durante la temporada de calefacción
- Asegúrese que hay aire exterior suficiente para todos los aparatos de combustión y los equipos extractores
- Asegúrese de que las rejillas de retorno de aire del horno y del aire acondicionado no se encuentran en las inmediaciones del aparato
- Evite instalar el aparato cerca de las puertas, pasillos o pequeños espacios aislados
- La iluminación empotrada debe ser del tipo "caja sellada"
- Las compuertas del ático deben tener cintas o sellos a prueba de las condiciones climáticas
- El montaje de ductos de aire y de las juntas y costuras del regulador de aire en el ático deben tener cinta o sellos

# 6 Primeros Pasos

## D. Cómo Ubicar el Aparato y la Chimenea

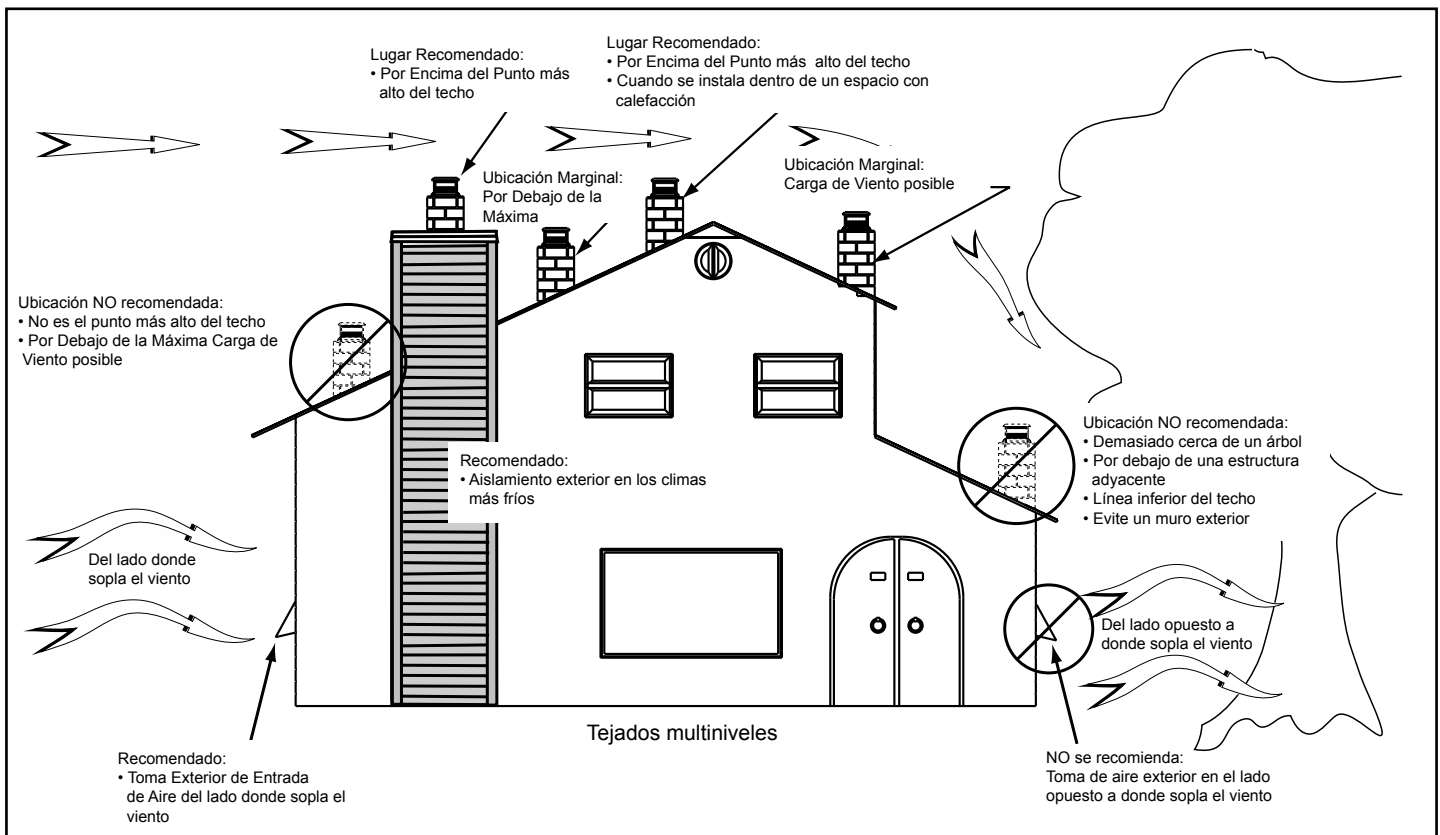
La ubicación del aparato y de la chimenea afectará el rendimiento.

- Lleve a cabo la instalación a través del espacio aéreo cálido producido por la envoltura de la edificación. Esto ayuda a generar más tiraje, especialmente durante el encendido o apagado de la llama.
- Perfore la parte más alta del techo. Esto minimiza los efectos de la carga del viento.
- Ubique la tapa terminal lejos de árboles, estructuras adyacentes, líneas irregulares de techo y otras obstrucciones.
- Minimice el uso de compensaciones de chimenea.
- Tenga en cuenta la instalación del aparato en relación con el piso, el techo y las vigas del ático.
- Tenga en cuenta los requerimientos de los acabados.

## F. Herramientas y Materiales Necesarios

**Herramientas y materiales de construcción que normalmente se requieren para la instalación, a menos que dicha instalación se lleve a cabo dentro de una chimenea de mampostería existente:**

Sierra de Vaivén	Guantes
Seguros de Canal	Gafas de Seguridad
Martillo	Escuadra de Carpintería
Destornillador de Estrella	Taladro Eléctrico y Puntas (1/4")
Cinta para Medir	Tornillos autorroscantes de 1/4"
Plomada	<u>También puede ser necesario:</u>
Nivel	Correas de Apoyo para
Material para Hacer	Sistema de Ventilación
Marcos	Pintura para Ductos de
Sellador Incombustible	Ventilación



## E. Inspección del Aparato y de sus Componentes

- Retire el aparato y sus componentes del empaque y verifique que no tengan daños.
- Informe a su distribuidor sobre las partes dañadas durante el transporte.
- **Lea todas las instrucciones antes de comenzar la instalación. Siga cuidadosamente estas instrucciones durante la instalación para garantizar la máxima seguridad y rendimiento.**



### ADVERTENCIA



Verifique que tanto el aparato como sus componentes no presentan daños. Las piezas dañadas pueden poner en peligro el funcionamiento seguro.

- NO instale componentes dañados.
- NO instale componentes incompletos.
- NO instale componentes sustitutos.

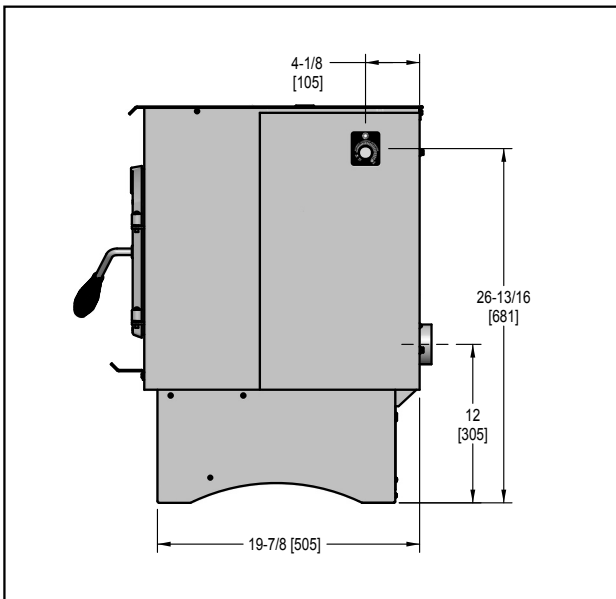
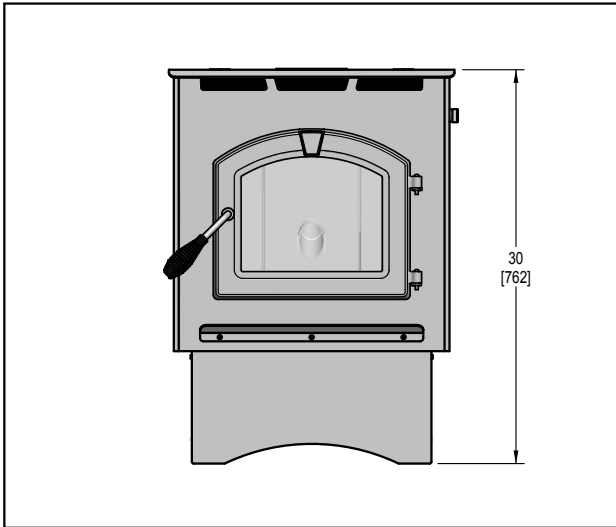
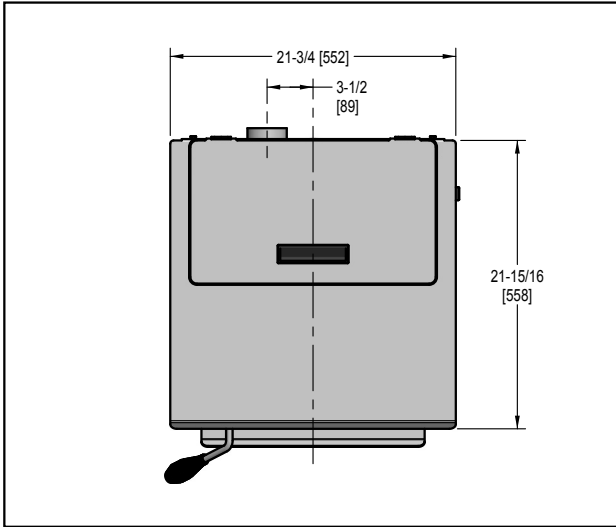
Informe de partes dañadas al distribuidor.



# 7 Dimensiones y Espacios Libres

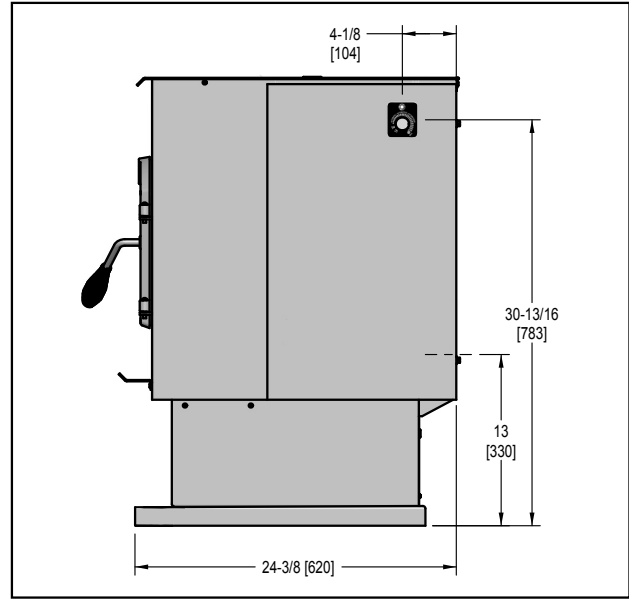
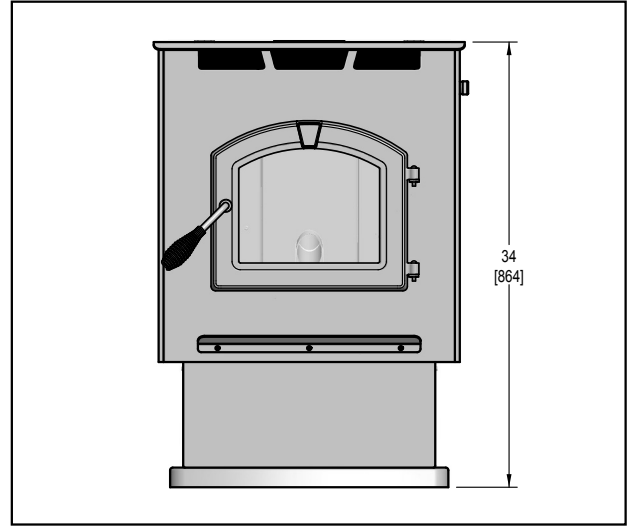
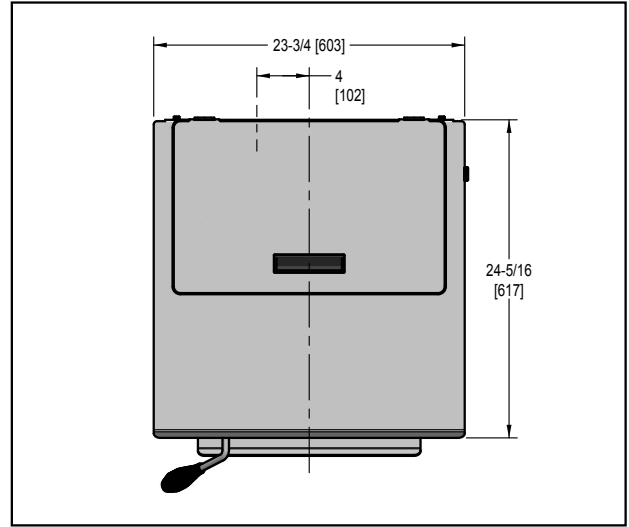
## MODELO: PH35PS

### A. Dimensiones del Aparato: PH35PS



## MODELO: PH50PS

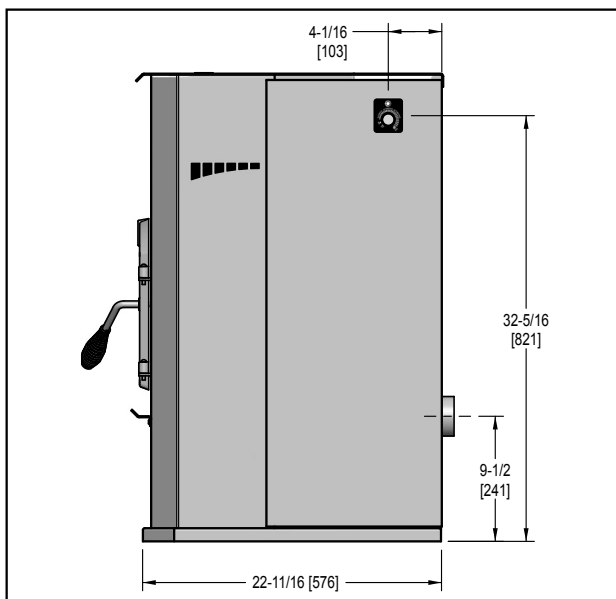
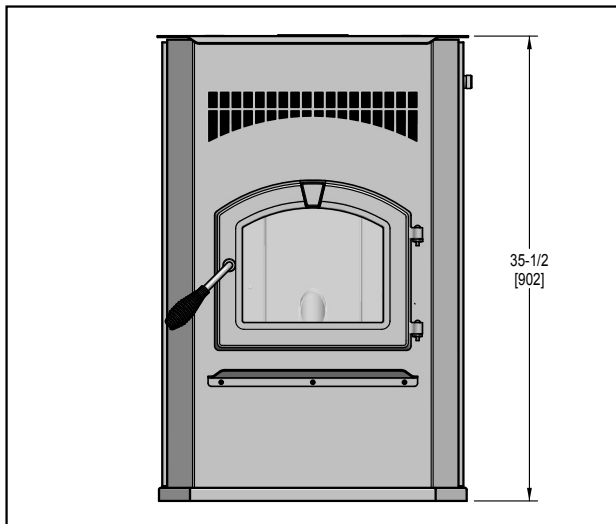
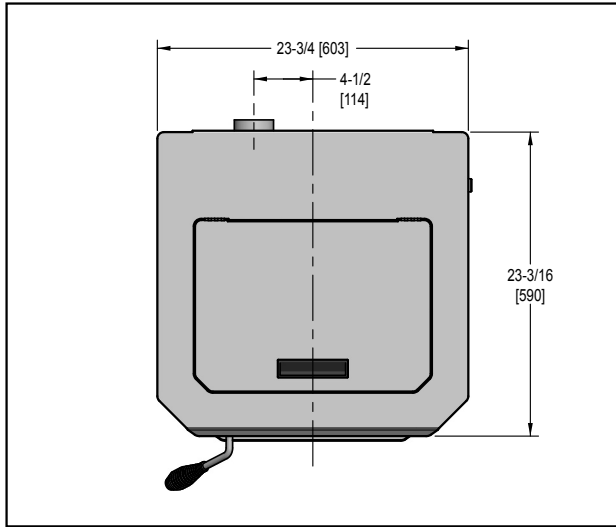
### B. Dimensiones del Aparato: PH50PS



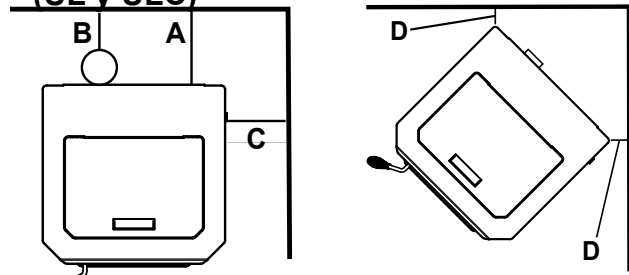
# 7 Dimensiones y Espacios Libres

## MODELO: PH50CAB

### C. Dimensiones del Aparato: PH50CAB



### D. Distancias a Materiales Combustibles (UL y ULC)



Instalaciones verticales (conducto interior)			
Recto contra la pared		Pulgadas	Milímetros
<b>A</b>	Pared posterior a la aplicación	2	51
<b>B</b>	Pared posterior a la tubería de combustión	3	76
<b>C</b>	Pared lateral a la aplicación	13	330

Instalación de esquina		Pulgadas	Milímetros
<b>D</b>	Paredes a la aplicación	3	76

Instalaciones horizontales de combustión			
Recto contra la pared		Pulgadas	Milímetros
<b>A</b>	Pared posterior a la aplicación	2	51
<b>B</b>	Pared posterior a la tubería de combustión	3	76
<b>C</b>	Pared lateral a la aplicación	13	330

\*siga fabricación que figuran despacho tubería



### PRECAUCIÓN

- NO CONECTE ESTA UNIDAD A UN DUCTO DE CHIMENEA QUE YA ESTÉ CONECTADO A OTRO APARATO.
- NO LA CONECTE A NINGÚN DUCTO O SISTEMA DE DISTRIBUCIÓN DE AIRE.



### ADVERTENCIA



#### ¡SUPERFICIES CALIENTES!

El vidrio y otras superficies están calientes durante el funcionamiento y el enfriamiento.

#### Un vidrio caliente puede causar quemaduras.

- No toque el vidrio antes de que se enfríe
- NUNCA permita que los niños toquen el vidrio
- Mantenga alejados a los niños
- SUPERVISE CUIDADOSAMENTE a los niños que se encuentren en la misma habitación que la chimenea.
- Alerta a los niños y adultos de los peligros debidos a las altas temperaturas.

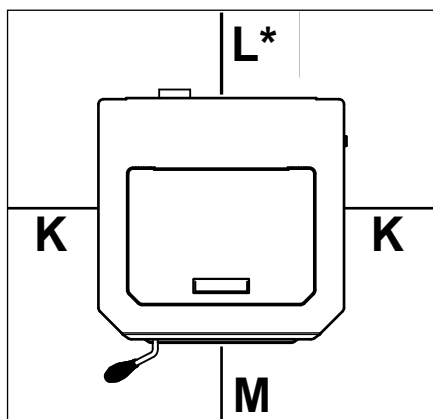
#### Las altas temperaturas pueden encender la ropa u otros materiales inflamables.

- Mantenga alejados la ropa, muebles, cortinas y otros materiales inflamables.

# 7 Dimensiones y Espacios Libres

## E. Requisitos del Tapete para Chimenea (UL y ULC)

Utilice un protector de piso o tapete incombustible, que se extiende por debajo del aparato, hacia adelante, los lados y la parte posterior como se indica. Mida la distancia del frente "M" desde la superficie de la puerta de vidrio.

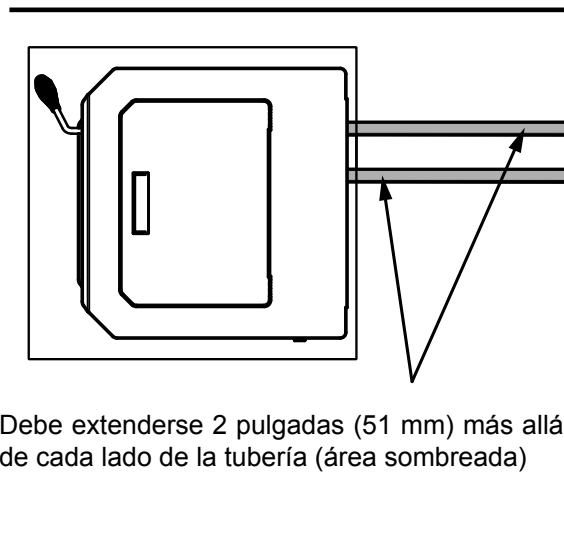


### Requisitos del Tapete para Chimenea en los EE.UU.

Requisitos del Tapete para Chimenea		Pulgadas
<b>K</b>	Lados	2
<b>L*</b>	Parte Posterior	2
<b>M</b>	Frente	6

### Requisitos del Tapete para Chimenea en Canadá

Requisitos del Tapete para Chimenea		Milímetros
<b>K</b>	Lados	203
<b>L*</b>	Parte Posterior	51
<b>M</b>	Frente	152



Debe extenderse 2 pulgadas (51 mm) más allá de cada lado de la tubería (área sombreada)

### \*L Excepción para Instalaciones Horizontales:

**INSTALACIONES EN CANADA:** Para sistema de ventilación horizontal o por debajo del adaptador de ventilación superior, si se trata de instalación vertical, se **requiere** un protector de piso incombustible por debajo del ducto de escape.

**Instalaciones en los EE.UU:** Para sistema de ventilación horizontal o por debajo del adaptador de ventilación superior, si se trata de instalación vertical, se recomienda un protector de piso incombustible por debajo del ducto de escape.

## ⚠ ADVERTENCIA



**Si la información contenida en estas instrucciones no se sigue con exactitud, se puede producir un incendio, causando daños materiales, lesiones personales o la muerte.**


- No almacene o utilice gasolina u otros vapores y líquidos inflamables en las cercanías de este o cualquier otro electrodoméstico.
- No genere una llama excesiva - Si el calentador o el conector de la chimenea brillan, usted está generando una llama excesiva. Generar llama excesiva anulará la garantía.
- Cumpla con todas las distancias mínimas a los materiales combustibles como se especifica. El incumplimiento puede causar un incendio en su casa.


# 8 Información del Respiradero

## A. Conexión de la Chimenea y del Sistema de Escape

1. **Chimenea y Conector:** Utilice un sistema de ventilación de 3 o 4 pulgadas (76-102mm) de diámetro tipo "L" o "PL". Se puede ventilar vertical u horizontalmente.
2. **Casa Rodante:** Aprobado para todos los sistemas de ventilación de Pellet certificados. Si se utiliza el kit de adaptador de ventilación vertical superior de 3 pulgadas (76 mm) o el adaptador de desplazamiento de ventilación superior de 3 a 6 pulgadas (76-152mm), utilice un conector de doble pared. Un kit autorizado para aire exterior debe ser utilizado en las instalaciones de casas prefabricadas.
3. **Residencial:** El kit de adaptador de ventilación vertical superior de 3 pulgadas (76 mm) y el adaptador de desplazamiento de ventilación superior de 3 a 6 pulgadas (76-152mm) han sido probados para que se utilicen con un conector de pared simple de calibre 24 o un conector de doble pared acoplado a chimeneas metálicas de clase A o chimeneas de mampostería que cumplen con los estándares de la Conferencia Internacional de la Construcción (ICBO) para aparatos de combustible sólido.
4. **INSTALE LA VENTILACIÓN RESPETANDO LAS DISTANCIAS ESPECIFICADAS POR EL FABRICANTE DE VENTILACIÓN.**
5. Asegure el sistema de ventilación de escape al aparato con un mínimo de 3 tornillos o remaches de acuerdo con las instrucciones del fabricante de ductos. También asegure todas las uniones de las tuberías de conexión con al menos 3 tornillos a través de cada articulación.
6. NO INSTALE UN AMORTIGUADOR DE HUMOS EN EL SISTEMA DE VENTILACIÓN DE ESCAPE DE ESTA UNIDAD.
7. NO CONECTE ESTA UNIDAD A UN DUCTO DE CHIMENEA QUE YA ESTÉ CONECTADO A OTRO APARATO.

**NOTA:** Toda la tubería debe ser de tubos con costura soldada siempre que sea posible. Selle las juntas de tuberías con silicona de alta temperatura (500 ° F [260 ° C] mínima nominal únicamente). No utilice silicona en el interior de la tubería.

**ADVERTENCIA**




**Riesgo de incendio.**  
Siga las instrucciones del fabricante del conector de chimeneas para una correcta instalación.  
SÓLO utilice el conector:


- Dentro de la sala, entre el aparato y el techo o la pared.

El conector NO debe pasar a través de:

- El ático o el espacio del techo
- Un closet o espacio oculto similar
- El piso o el techo

Respete las distancias mínimas a los combustibles

**ADVERTENCIA**



Las superficies de ventilación se CALIENTAN, pueden causar quemaduras si se tocan. Blindaje incombustible o guardas pueden ser necesarios.

## B. Requisitos de la Terminación de la Ventilación

### PRECAUCIÓN

**No termine de ventilación** en ningún lugar cerrado o semi-cerrado, como una cochera, garaje, ático, sótano, debajo de una terraza o porche, un pasillo estrecho o un área estrecha cercada, o cualquier lugar en que se puede generar una concentración de vapores tal como una escalera, un corredor cubierto, etc.

1. La terminación debe evacuar por encima de la cota de entrada de aire. **Se recomienda que por lo menos 60 pulgadas (1,5 m) de tubería vertical se instalen cuando la ventilación se hace directamente a través de una pared.** Esto creará un tiraje natural, que ayudará a prevenir la posibilidad de que el humo o el olor se devuelvan a la casa durante un corte de energía. Asimismo, evitará que el escape cause un daño o un peligro por la exposición de las personas o arbustos a las altas temperaturas. El método más seguro de ventilación y preferido es el de extender el ducto verticalmente a través del techo.
2. Distancia a las puertas y ventanas que se abren, o entradas de aire por gravedad o de ventilación al edificio:
  - No menos de 48 pulgadas (1,2 m) por debajo;
  - No menos de 48 pulgadas (1,2 m) horizontalmente desde;
  - No menos de 12 pulgadas (305 mm) por encima.
3. Distancia desde ventanas cerradas de manera permanente;
  - No menos de 12 pulgadas (305 mm) por debajo, en sentido horizontal o por encima.
4. Distancia entre la parte inferior de la terminación y el grado debe ser de 12 pulgadas (305 mm) como mínimo. Esto está condicionado a las plantas de la zona, y la naturaleza de la superficie de grado. La superficie de grado debe ser un material incombustible (es decir roca, tierra). La superficie de grado no debe ser césped. La distancia entre la parte inferior de la terminación y la vía pública debe ser de 7 pies (2,13 m) como mínimo.
5. Distancia a los materiales combustibles debe ser de 24 pulgadas (610 mm) como mínimo. Esto incluye los edificios adyacentes, cercas, las partes salientes de la estructura, proyección de la azotea, plantas y arbustos, etc.
6. Ubicación de la Tapa Terminal (Servicio eléctrico residencial)
  - El espaciamiento de lado a lado debe es ser el mismo espacio mínimo a las esquinas interiores de vinilo.
  - La distancia de una tapa terminal por debajo de la acometida eléctrica deberá ser la misma distancia mínima a los plafones de vinilo.
  - La distancia de una tapa terminal por encima de la acometida eléctrica deberá ser de 12 pulgadas (305 mm) como mínimo.
  - Ubicación de la terminación de la ventilación no debe obstruir o interferir con el acceso a la acometida eléctrica.

# 8 Información del Respiradero

## C. TABLAS DE VENTILACIÓN PARA COMBUSTIÓN DE PELLETS

Lo máximo permitido de ventilación horizontal sin ventilación vertical acoplada es de 48 pulgadas (1219 mm), incluyendo un codo de 90° o dos codos de 45°. Este es nuestro recomendado para la instalación de ventilación horizontal. La adición de cualquier ventilación horizontal más allá de 48 pulgadas (1219 mm) requiere un mínimo de 60 pulgadas (1524 mm) de ventilación vertical adicional. Las secciones horizontales de ducto de ventilación debe tener un aumento de 1/4 pulgada (6,35 mm) por pie.

GHP recomienda a cualquier instalación que requiera más de dos codos de 90° o más de 15 pies (4,5 m) de ventilación, utilizar ductos de 4 pulgadas (102mm).

Un codo de 45° es equivalente a un pie de tubo recto  
 Un codo de 90° es equivalente a 3 pies de tubería recta

**AVISO:** Éstas son las pautas para una exitosa ventilación de su aparato de pellets. Entre más ascenso vertical usted pueda lograr en su sistema, mejor será el funcionamiento. Los tramos horizontales de ventilación pueden acumular ceniza y tendrán que ser limpiados con más frecuencia. Trate de mantenerlos lo más corto posibles.

UN CODDO DE 90 °		
Total horizontal	Mínimo Vertical	Diámetro de la ventilación
4	0	3
5	5	3
6	6	3
7	7	3
8	8	4
9	9	4
10	10	4
11	11	4
12	12	4
13	13	4
14	14	4
15	15	4
16	16	4
17	17	4
18	18	4
19	19	4

DOS CODDO DE 90 °		
Total horizontal	Mínimo Vertical	Diámetro de la ventilación
2	5	3
3	6	3
4	7	3
5	8	3
6	9	3
7	10	4
8	11	4
9	12	4
10	13	4
11	14	4
12	15	4
13	16	4
14	17	4
15	18	4

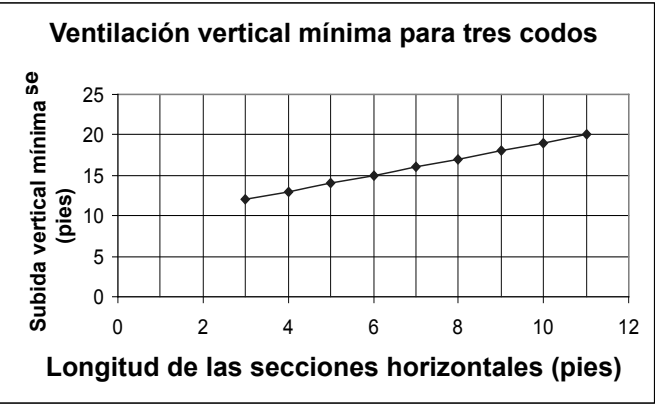
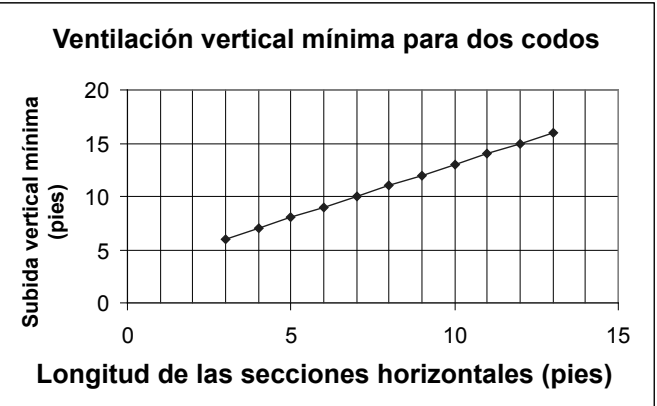
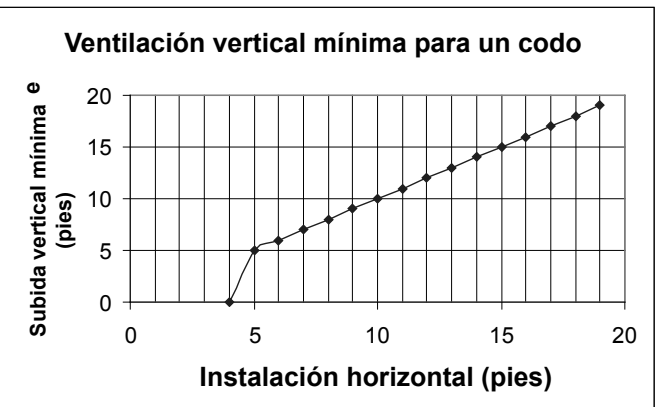
TRES CODDO DE 90 °		
Total horizontal	Mínimo Vertical	Diámetro de la ventilación
2	11	4
3	12	4
4	13	4
5	14	4
6	15	4
7	16	4
8	17	4
9	18	4
10	19	4
11	20	4



### ADVERTENCIA

Riesgo de incendio.

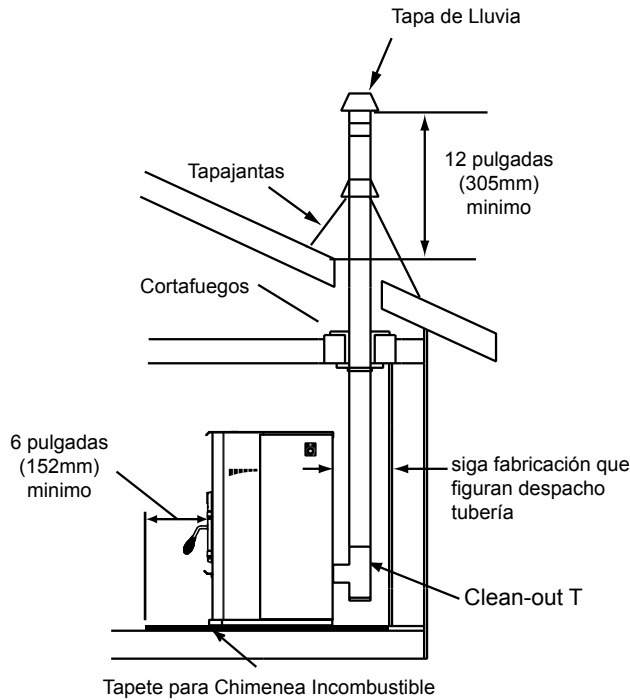
- Sólo componentes de ventilación CERTIFICADOS deberán ser utilizados.
- NINGÚN OTRO componente de ventilación se puede utilizar. Componentes de ventilación sustitutos o dañados puede poner en peligro la operación segura.



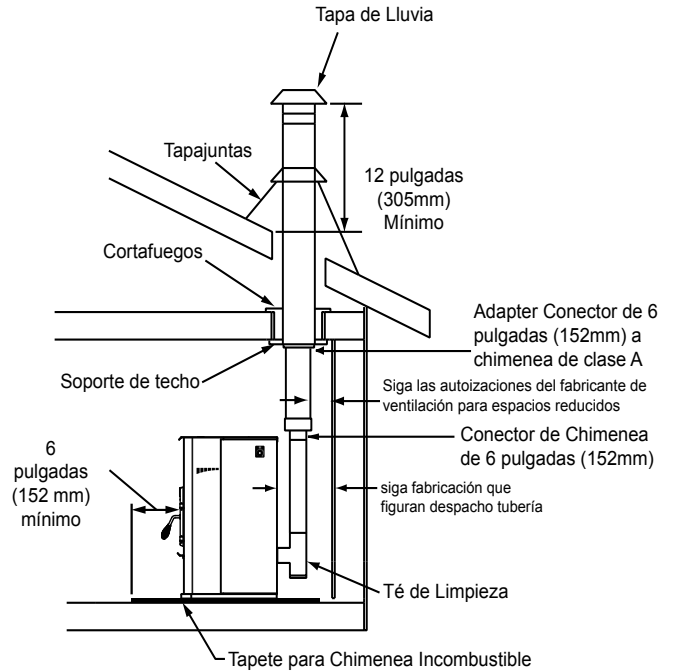
# 9 Sistemas de Ventilación

## A. VERTICAL - INTERIOR - INSTALACIÓN TÍPICA

### MÉTODO PREFERIDO # 1

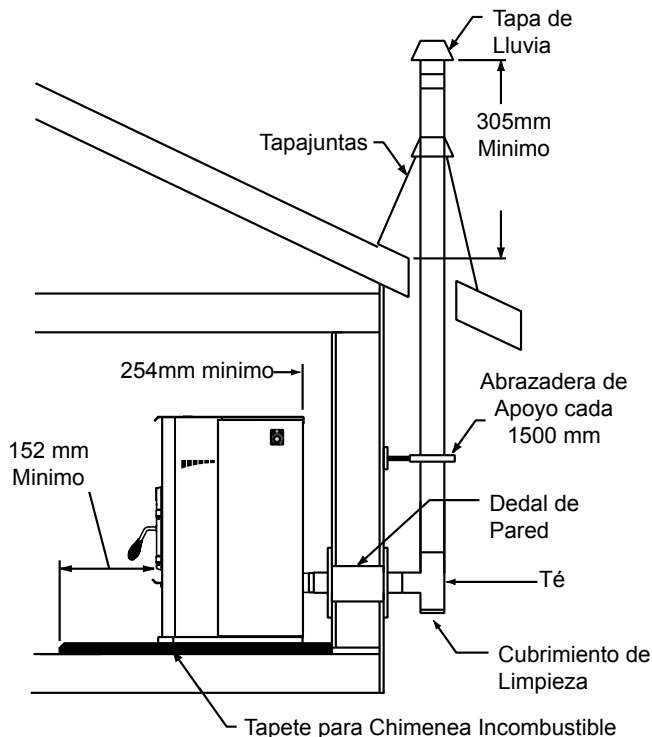


## C. INSTALACIÓN VERTICAL PARA UNA CHIMENEA EXISTENTE CLASE A.



## B. A TRAVÉS DE LA PARED Y VERTICAL – EXTERNA - HORIZONTAL

### MÉTODO PREFERIDO # 2



**Le recomendamos un mínimo de 60 pulgadas (1,5 m) en sentido vertical, sin embargo por encima de este valor es preferible.**

Ambas instalaciones están aprobadas para instalación en casas rodantes. Se debe usar un sistema certificado de ventilación para pellets de 3 o 4 pulgadas (76 a 102 mm) “L” o “PL” o un ducto de doble pared certificado y un kit de aire exterior autorizado para casas rodantes. El ducto de pared simple está aprobado únicamente para las instalaciones residenciales.

### **Espacio Libre al Ducto:**

Este aparato fue probado con una ventilación certificada estándar de 3 pulgadas (76mm).

Fabricantes de Pellets certificados Un ducto con espaciamiento reducido podrá ser utilizado para reducir el espacio libre de 3 pulgadas (76 mm) a no menos de 1 pulgada (25 mm) con respecto a combustibles, para ductos certificados y aprobados para pellets.

**Siga las indicaciones de los fabricantes de ductos para el espacio libre a combustibles y las instrucciones de instalación para aquellas instalaciones con espacio libre reducido.**

# 9 Sistemas de Ventilación

## ⚠️ ADVERTENCIA



Riesgo de incendio

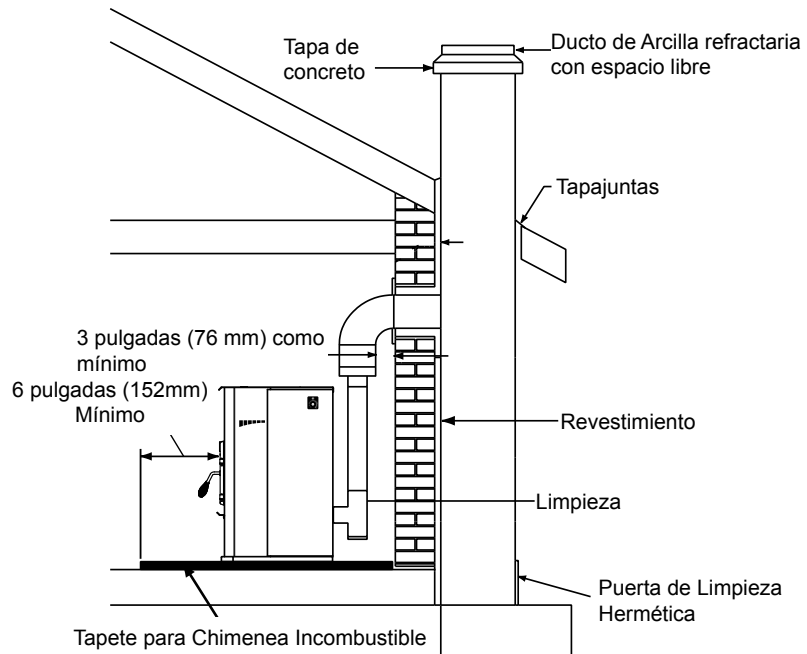
La inspección de la chimenea:

- Chimenea de Mampostería debe estar en buenas condiciones.
- Cumple con los estándares mínimos de la norma NFPA 211
- Ducto de Chimenea hecho en Fábrica debe ser como mínimo de 6 pulgadas (152 mm) UL103 HT.

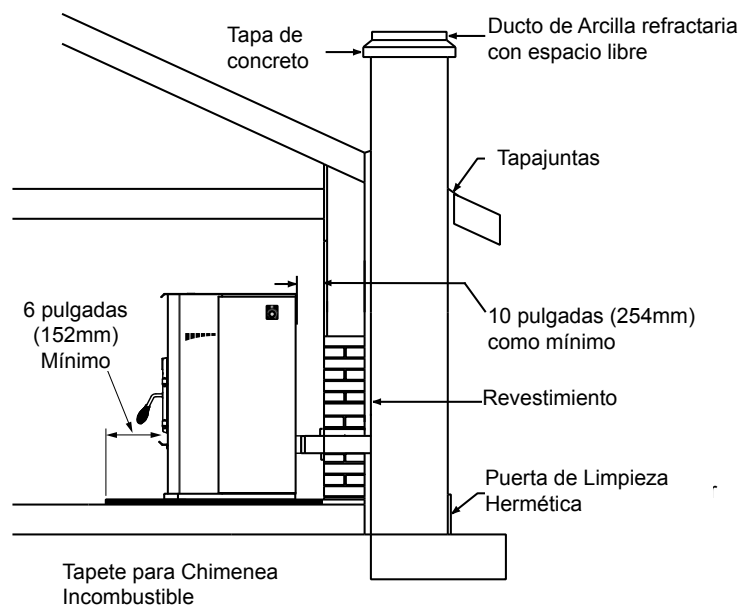
## ⚠️ ADVERTENCIA

Una instalación inadecuada, el ajuste, alteración, reparación o mantenimiento pueden causar lesiones o daños a la propiedad. Consulte el manual de información del propietario suministrado con este aparato. Para asistencia o información adicional, consulte a un instalador calificado, agencia de servicio o con su distribuidor.

### D. Mampostería



### E. Mampostería de Alternativa



# 9 Sistemas de Ventilación

## F. A través de la pared

La tapa de terminación horizontal debe tener un mínimo de 6 pulgadas. (152mm) desde la pared. Aprobado para instalaciones en casas rodantes. Se debe usar un sistema certificado de ventilación para pellets de 3 o 4 pulgadas (76 a 102 mm) "L" o "PL" o un ducto de doble pared certificado y un kit de aire exterior autorizado para casas rodantes.

### AVISO:

Tenga en cuenta que mientras que el espacio mínimo para la tapa de terminación es de 6 pulgadas (152 mm) es posible que se acumule hollín en la zona de terminación. Si esto ocurre, se aconseja desplazar la terminación más lejos de la casa para evitar que se presente. El mínimo sugerido es de 12 pulgadas.

En Canadá, donde el paso a través de una pared o una división de construcción combustible es deseable, la instalación deberá ajustarse a la norma CAN/CSA-B365

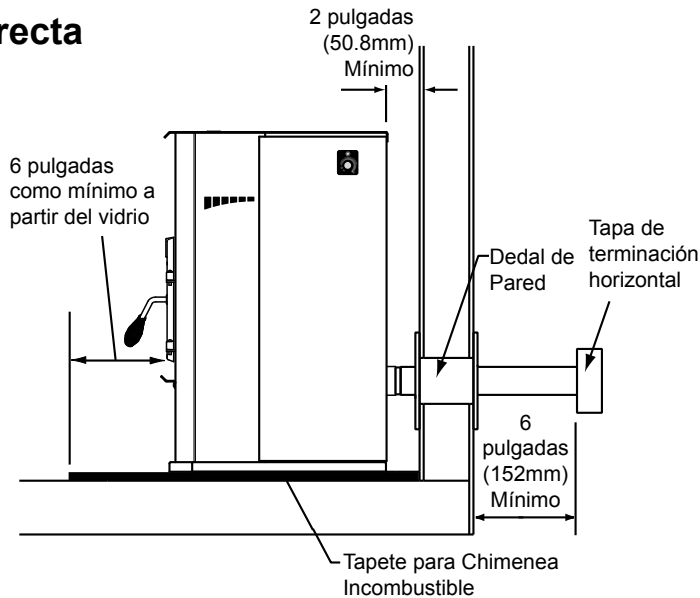
### PRECAUCIÓN

NO COLOQUE HACIA ABAJO LA VENTILACIÓN.

Ocurrirá lo siguiente:

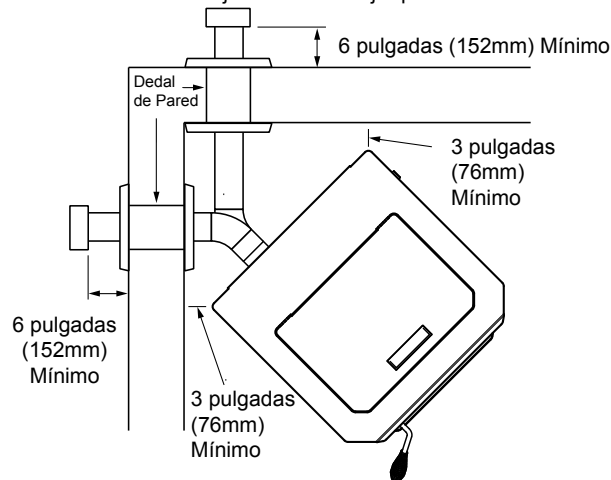
- El aparato no ventilará de forma óptima
- El humo se propagará en la casa
- Exceso de hollín

### En línea recta



### 45 grados

La ilustración muestra la ventilación yendo en ambas direcciones. Elija cuál es la mejor para su instalación.





# 10 Casa Rodante

## A. Instalación en Casa Rodante

**Usted debe utilizar un kit de aire exterior autorizado para instalación en casa rodante.**

1. Una entrada de aire exterior para aire de combustión debe ser provista y permanecer libre de hojas, escombros, hielo y / o nieve. Debe estar sin obstrucciones mientras que el aparato esté en uso para evitar que se quede sin aire ambiente lo cual provoca esparcimiento de humo dentro de la casa. Dicho esparcimiento también puede activar las alarmas de humo.
2. El ducto de aire de combustión debe ser hecho de metal. Debe permitir cero-holgura a cualquier construcción combustible y evitar que haya material que caiga dentro de la entrada o en el área debajo de la vivienda y debe tener además malla anti-roedores.
3. El aparato debe ser fijado a la estructura de la casa rodante atornillándolo al piso (mediante tirafondos) con dos puntos de fijación. Utilice los mismos agujeros que sujetaban el aparato a la plataforma de transporte.
4. El aparato debe estar conectado a tierra por un alambre de cobre n° 8 o equivalente, terminado en cada extremo con un dispositivo de polo a tierra aprobado por NEC.
5. Consulte las Distancias a Combustibles y los requisitos de protección del piso en las certificaciones para combustibles y sistemas de chimenea apropiados.
6. Utilice silicona para crear una barrera de vapor efectiva en el lugar donde la chimenea u otro componente traspasa hacia el exterior de la estructura.
7. Siga las instrucciones del fabricante de la chimenea cuando instale el sistema de ventilación para uso en casa rodante.
8. La instalación deberá hacerse de acuerdo con la Norma Residencial y de Seguridad de los Fabricantes (HUD) CFR 3280, Parte 24.

### PRECAUCIÓN

LA INTEGRIDAD ESTRUCTURAL DEL PISO DE LA CASA, PAREDES, PLAFÓN/TECHO SE DEBEN MANTENER

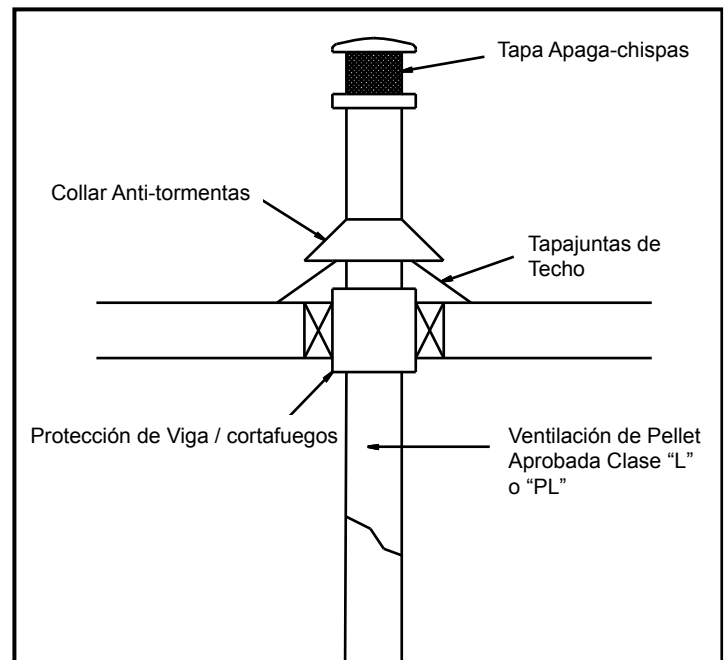
NO perforo a través de:

- Viga de piso, paredes, postes o vigas del techo
- Cualquier material de apoyo que pudiera afectar la integridad estructural.

### PRECAUCIÓN

Nunca traiga aire de combustión exterior a través de:

- La pared, piso o cavidad del techo
- Espacios cerrados tales como un ático, garaje o sótano.



### ⚠️ ADVERTENCIA

La instalación debe cumplir con la Norma Residencial y de Seguridad de los Fabricantes (HUD) CFR 3280, Parte 24.

### ⚠️ ADVERTENCIA



**Riesgo de Asfixia.**

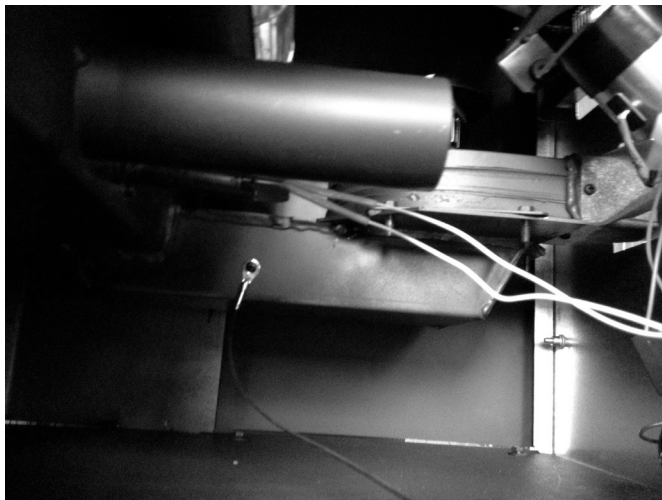
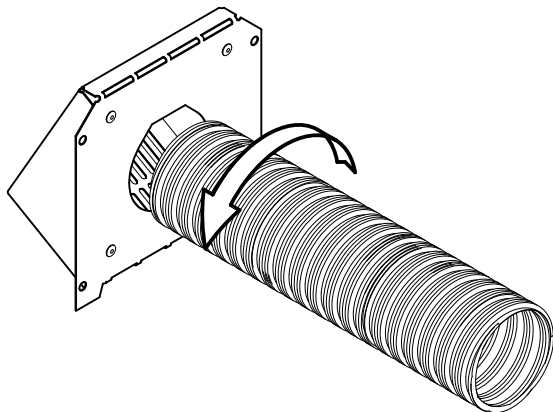
NUNCA LO INSTALE EN UN DORMITORIO.  
Consumo oxígeno en la habitación.

# 11 Preparación del Aparato

## A. Instrucciones del Kit de Aire

De manera estándar, se suministra un kit de aire exterior con el aparato. Es altamente recomendable utilizar un kit de aire exterior para obtener el máximo rendimiento y reducir los efectos de la presión negativa en la vivienda.

Siga las instrucciones incluidas en el kit de aire exterior. Para la fijación a esta plataforma, retire la placa rectangular de la parte trasera de la unidad y deslice el tubo en la parte trasera de la unidad. Usando la abrazadera de manguera, conecte la tubería flexible al tubo de 2" soldado a la parte trasera de la cámara de combustión como se muestra en la foto.



## PRECAUCIÓN

Nunca traiga aire de combustión del exterior a través de:

- La pared, piso o cavidad del techo
- Espacios cerrados tales como un ático, garaje o sótano.

## B. Conecte la Unidad a la Corriente

Enchufe la unidad a una toma de 120 VAC.

## ⚠ PRECAUCIÓN



Peligro de descarga eléctrica.

- NO quite el terminal de tierra del enchufe.
- Enchufe directamente en tomacorriente de 3 clavijas que esté conectado a tierra.
- Aleje el cable eléctrico del aparato.
- NO coloque el cable debajo o en frente del aparato.



## ADVERTENCIA



DESCONECTAR LA FUENTE ANTES DE DAR SERVICIO.

# 12 Solución de problemas

Síntoma	Posible causa	Acción correctiva
Conecte el aparato - No hay respuesta.	No hay energía en el tomacorriente. Fusible de 5 amp. defectuoso o quemado. Disco de interrupción inmediata desgastado o defectuoso.	Revise el interruptor de circuito en el panel de servicio. Reemplace el fusible. Reinicie o sustituya el disco de interrupción inmediata.
Unidad no se enciende	<p>Sin combustible Se acabó el combustible. Interruptor de vacío no se cierra, no hay vacío. Tapa del Alimentador abierta. Interruptor del alimentador defectuoso. Sistema de Alimentación está atascado Motor de Alimentación no está conectado</p> <p>No hay encendido Encendedor no está enchufado Encendedor no está centrado Encendedor está defectuoso</p> <p>Marmita Atascada Marmita sucia</p> <p>Marmita al revés Demasiados desechos en el fondo de la marmita</p>	<p>Verifique el Alimentador. Llénelo de pellets. Verifique que el ventilador de evacuación está conectado y en funcionamiento. Verifique que el interruptor de aspirado está conectado Verifique que la manguera de aspirado está en buenas condiciones, despejada y conectada en ambos extremos Asegúrese que el sistema de ventilación esté limpio Asegúrese de que la puerta frontal está cerrada Compruebe conexión de vacío interruptor en el lateral del tubo de alimentación para el bloqueo Cierre la tapa del alimentador Compruebe el funcionamiento del interruptor del alimentador Inspeccione y desatore el montaje de alimentación Vuelva a conectar el motor de alimentación</p> <p>Conecte el encendedor Centre el encendedor Encendedor está asentado completamente en la cámara Reemplace el encendedor</p> <p>Limpie la marmita. Limpie por debajo de la marmita Coloque la marmita en la dirección correcta</p>
El fuego comienza pero se apaga	<p>Marmita está sucia</p> <p>El ducto de Escape y / o la ventilación están atascados Sensor de escape no puede leer la temperatura correcta El ducto de escape está sucio El sensor de escape no está conectado a la salida El sensor de escape no está conectado al tablero El sensor de escape está defectuoso (código de error puede aparecer)</p>	<p>Limpie la marmita. Verifique obstrucciones del ducto de ventilación</p> <p>Inspeccione y limpie el ducto de escape y la rejilla</p> <p>Limpie la marmita incluyendo la parte de atrás de los deflectores Inspeccione y limpie la salida de escape especialmente la pared del lado derecho. Retire el panel lateral derecho e inspeccione para comprobar si el sensor de escape está conectado y apretado contra la salida de escape Conecte el sensor al tablero Reemplace el sensor de escape</p>
Unidad arranca y se detiene con frecuencia cuando se opera en el modo automático	<p>El área donde la unidad está instalada se calienta y se enfría rápidamente, dependiendo de la configuración de la instalación. Espacios reducidos pueden tener también un efecto sobre el ciclo de encendido / apagado de la unidad.</p> <p>Sensor de ambiente Sensor en contacto con superficie caliente Piso de la marmita abierto.</p>	<p>Verifique la proximidad de puertas y ventanas y / o el factor de aislamiento de la estructura. Si la pérdida de calor es rápida la unidad pueda que tenga que trabajar en máximo o mínimo.</p> <p>Inspeccione el sensor y asegúrese de que no está en contacto con una superficie que se calienta y se enfría rápidamente. El sensor de ambiente tiene cable adicional dentro de la cavidad trasera que se puede utilizar para aumentar la distancia desde la unidad.</p>

# 12 Solución de problemas

Síntoma	Posible causa	Acción correctiva
Arranque lento o con humo y / o llama perezosa	Escape sucio y / o sistema de ventilación. Encendedor desalineado Pellet húmedo / de mala calidad	Verifique acumulación de ceniza en la unidad, incluso detrás de los paneles traseros, cámara de combustión, ventilador de escape y ventilación. Centre el encendedor en la cámara Vuelva a colocar pellets
Ventilador de convección no arranca.	Ventilador de convección Atascado No está conectado  Sensor de escape No está detectando la temperatura correcta  La caja de control está defectuosa.	Inspeccione, limpie, y desatasque el ventilador. Vuelva a colocar el ventilador Enchufe el ventilador  Limpie el tubo de escape, especialmente el lado derecho. Vuelva a colocar la caja de controles.
Ventilador de escape no arranca	Ventilador de Escape Atascado No está conectado  Sensor de escape No está detectando la temperatura correcta  La caja de control está defectuosa.	Inspeccione, limpie, y desatasque el ventilador. Vuelva a colocar el ventilador Enchufe el ventilador  Limpie el tubo de escape, especialmente el lado derecho.  Vuelva a colocar la caja de controles.
Ventilador de convección no se apaga	Corto circuito del ventilador de convección. El fusible se quemará y después de reemplazarlo, el ventilador trabajará continuamente.	Inspeccione los cables, ventiladores, y el cable de alimentación eléctrica para encontrar la causa del cortocircuito. Reemplace el tablero y el componente que ha fallado.
Ventilador de convección hace ruido	Tornillos que sujetan el ventilador de convección al aparato se han aflojado.  El ventilador de convección está sucio	Apriete los tornillos  Limpie el ventilador de los impulsores
Ventilador de escape no se apaga	Corto circuito del ventilador de convección. El fusible se quemará y después de reemplazarlo, el ventilador trabajará continuamente.	Inspeccione los cables, ventiladores, y el cable de alimentación eléctrica para encontrar la causa del cortocircuito. Reemplace el tablero y el componente que ha fallado.
Encendedor no se apaga	Encendedor en corto. El fusible se quemará y después de reemplazarlo, el encendedor permanecerá encendido mientras haya alimentación eléctrica.	Inspeccione los cables, ventiladores, y el cable de alimentación eléctrica para encontrar la causa del cortocircuito. Reemplace el tablero y el componente que ha fallado.
Motor de Alimentación no se apaga	Corto circuito del motor de alimentación. El fusible se quemará y después de reemplazarlo, el motor de alimentación permanecerá encendido mientras haya alimentación eléctrica.	Abra el alimentador para parar el motor de alimentación. Inspeccione los cables del motor de alimentación, del tablero de control y del cable de alimentación para encontrar la causa del cortocircuito. Vuelva a colocar el tablero de control y el componente que ha fallado.
La unidad no se apaga.	La unidad está funcionando en máximo	Gire el dial a la posición de apagado (Off) Desconecte la corriente de la unidad, espere 15 segundos y restaure la corriente. La unidad debe entrar en modo de apagado.
Llama grande, perezosa, de color naranja. Ceniza negra sobre el vidrio.	Aparato sucio. Mala calidad de los pellets, alto contenido de ceniza.  Incorrecto balance de aire-pellet  Exceso de alimentación / Motor de Alimentación bloqueado	Limpie la unidad, incluyendo la marmita y el sistema de ventilación. Limpie el ducto de escape. Pruebe una marca diferente de pellets. Gire el dial de ajuste de combustible a la derecha para aumentar la velocidad del aire de combustión. Siga la acción correctiva para cuando el síntoma es que el motor de alimentación no se apaga.
Demasiados pellets saliendo de la marmita hacia los baldes de ceniza y / o llama excesiva	Exceso de alimentación / Motor de Alimentación bloqueado	Siga la acción correctiva para cuando el síntoma es que el motor de alimentación no se apaga.
Hollín negro en el lado de la casa	Ducto de escape está sucio. Exceso de alimentación / Motor de Alimentación está bloqueado	Limpie el ducto de escape Siga la acción correctiva para cuando el síntoma es que el motor de alimentación no se apaga.

# 12

## Solución de problemas

**Tras la corrección de cualquier señal de Alarma, gire el dial a la posición OFF, espere 10 segundos y vuelva a encender a la graduación deseada O desconecte la unidad, espere 10 segundos antes de restaurar la energía.**

Alarma (LED en ROJO Intermitente)	Posible causa	Acción correctiva
<b>1 Parpadeo: El alimentador está Vacío</b>	<p>No más pellets son suministrados a la marmita para sostener la llama</p> <ul style="list-style-type: none"> <li>Alimentador vacío (muy probablemente)</li> <li>Barrena Atascada (lo siguiente en probabilidades)</li> <li>No hay succión</li> <li>Tapa del Alimentador abierta</li> </ul> <p>Hay llama pero el sensor de escape no es capaz de detectar la alta temperatura del escape</p> <ul style="list-style-type: none"> <li>El sensor de escape no está conectado a la salida</li> <li>El ducto de escape está sucio</li> </ul>	<p>Llene el alimentador, verifique atascamientos del tubo de alimentación, verifique que en la ventilación y en la cámara de combustión no haya obstrucciones y limpie si es necesario, revise el ventilador de escape para asegurarse de que funciona, o cierre la tapa del alimentador.</p> <p>Inspeccione y limpie la salida de escape, la cámara de combustión, la marmita y detrás de los deflectores. Inspeccione el sensor de escape para verificar que está bien conectado a un lado de la salida de escape.</p>
<b>2 Parpadeos: El sensor de Escape falló</b>	<p>La temperatura de escape está por encima o por debajo del nivel aceptable.</p> <p>Falla en el Sensor de Escape</p> <ul style="list-style-type: none"> <li>No está conectado</li> <li>Componente falló</li> </ul>	<p>Conecte el sensor al tablero</p> <p>Vuelva a colocar el componente</p>
<b>3 Parpadeos: Alarma del sensor de Ambiente</b>	<p>La temperatura ambiente está por encima o por debajo del nivel aceptable.</p> <p>Falla en el Sensor de Ambiente</p> <ul style="list-style-type: none"> <li>No está conectado</li> <li>Componente falló</li> </ul>	<p>Conecte el sensor al tablero</p> <p>Vuelva a colocar el componente</p>
<b>4 parpadeos: Falló el Encendido</b>	<p>Pellets</p> <ul style="list-style-type: none"> <li>No hay pellets</li> <li>Alimentador vacío</li> <li>Atascamiento en el Alimentador</li> <li>El Alimentador no enciende</li> <li>Motor de alimentación se desconectó o falló</li> </ul> <p>Marmita</p> <ul style="list-style-type: none"> <li>Marmita sucia de tal forma que los pellets no están cerca del hueco de encendido en la marmita</li> </ul> <p>Encendedor</p> <ul style="list-style-type: none"> <li>No hay corriente</li> <li>Desechos en el extremo de la cámara de ignición</li> </ul>	<p>Llene el alimentador</p> <p>Inspeccione y solucione atascamiento en el tubo de alimentación</p> <p>Inspeccione el circuito del motor de alimentación (la tapa del alimentador debe estar cerrada, el interruptor de aspiración debe estar accionado (es decir, el soplador de escape debe estar encendido), y el motor de alimentación debe estar enchufado.</p> <p>Limpie la marmita</p> <p>Verifique los cables y que el encendedor está funcionando. Limpie el extremo de la cámara de encendido desde el interior de la cámara de combustión (se requiere en este paso retirar la marmita).</p>
<b>8 Parpadeos: Escape excedió temperatura</b>	<p>Pellet</p> <ul style="list-style-type: none"> <li>El motor de alimentación está bloqueado</li> <li>Se están utilizando pellets no aprobados</li> </ul> <p>La convección del ventilador</p> <ul style="list-style-type: none"> <li>sucio</li> <li>fracasado</li> </ul> <p>Instalación</p> <ul style="list-style-type: none"> <li>Configuración de instalación está estrecha lo cual limita la circulación de aire en torno a la unidad.</li> </ul>	<p>Revise el motor de alimentación y la velocidad de alimentación. El funcionamiento normal del motor de alimentación se encuentra entre 1 * y 4 * segundos por cada 7 segundos. (* Dependiendo del modelo y de la graduación de quemado)</p> <p>Si el motor de alimentación no se apaga, reemplace el tablero de control.</p> <p>limpiar reemplazar</p> <p>Revise el tipo de pellet utilizado. Revise la instalación y muévela si es necesario.</p>

# 13 Materiales de Referencia

## A. Función de los componentes



**Al describir la ubicación de un componente, lo hacemos siempre COMO SI ESTUVIÉSEMOS EN FRENTE DEL APARATO.**

### 1. Tablero de Control

El tablero de control está localizado en el lado derecho del aparato detrás del panel del lado inferior derecho.

### 2. Ventilador de convección

El ventilador de convección está montado en la parte trasera de la unidad. Empuja aire hasta la parte trasera de la cámara de combustión, a través de la parte superior y saliendo por el frente. A medida que el aire se desplaza más allá de la cámara de combustión éste se calienta.

### 3. Ventilador de escape

El ventilador de escape está montado en el lado izquierdo del aparato. El ventilador de escape está diseñado para jalar los gases de escape del aparato y empujarlos hacia afuera a través del sistema de ventilación.

### 4. Sistema de alimentación

El sistema de alimentación se puede acceder en dos lugares. Para acceder al resorte de la barrena, retire la tapa del alimentador. Para retirar el motor de alimentación, retire el panel lateral y la placa de cubierta del motor en la parte trasera de la unidad.

### 5. Marmita

La marmita está hecha de una combinación de acero inoxidable y de acero laminado para trabajo pesado. Es desmontable para facilitar la limpieza.

### 6. Fusible

El fusible se encuentra en el tablero de control. El fusible se quema cuando ocurre un cortocircuito, y desconecta la alimentación de energía al aparato.

### 7. Dial de control

El dial control está conectado al lado derecho del aparato. El dial grande controla la salida de calor donde como un pequeño dial de abajo el botón grande es la función de recorte. El LED parpadea según el estado del aparato.

### 8. Interruptor del Alimentador

El interruptor del alimentador se encuentra en la esquina superior derecha del alimentador. Este interruptor está diseñado para apagar el motor de alimentación cada vez que la tapa del alimentador se encuentra abierta.

### 9. Encendedor

El encendedor está montado en la cámara, en la parte posterior de la cámara de combustión, por debajo del ventilador de convección. El aire de combustión viaja por encima del encendedor en rojo caliente creando aire altamente caliente que enciende los pellets.

### 10. Fuente de alimentación

El conector de cable de alimentación en la parte trasera de la unidad. Compruebe que la toma de la pared está para 120 voltios, 60 Hz (corriente estándar). Asegúrese de que la toma tiene polo a tierra y de que tiene la polaridad correcta. Un buen protector contra picos de voltaje es recomendado.

### 11. Sensor de Escape

El sensor de escape está instalado en el costado de la salida de escape en la parte trasera de la unidad. Detecta la temperatura de los gases de escape y permite que el sistema de control tome decisiones.

### 12. Sensor de Ambiente

El sensor de ambiente está situado en el panel posterior. Cuenta con cable extra para aumentar la distancia del aparato si se necesita.

### 13. Disco de Interrupción Inmediata (Protector contra Devolución de Llama) 250 ° F

El disco de interrupción inmediata está instalado en la parte posterior del tubo de la barrena en el centro del aparato y tiene un botón de reinicio. Hay dos cables grises conectados a éste. Para acceder al disco, retire el panel lateral derecho. Si el fuego trata de devolverse al sistema de alimentación o de empujar los gases de escape hacia el tubo de alimentación, este disco de interrupción inmediata apagará todo el sistema. Desconecte la estufa antes de reiniciar.

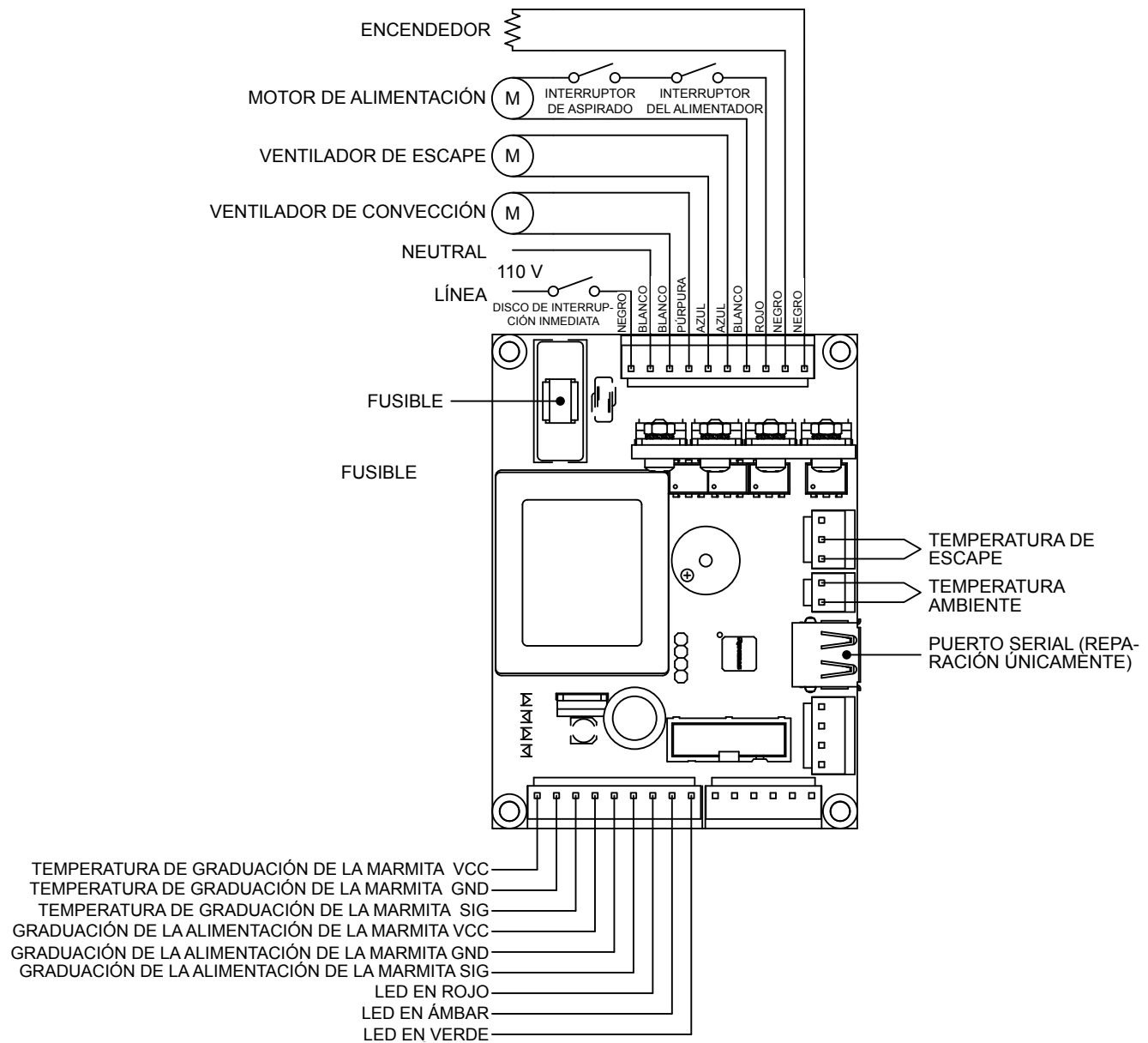
### 14. Interruptor de vacío

El interruptor de vacío está situado en el lado inferior derecho del aparato detrás del panel lateral derecho. Hay dos cables rojos conectados a él. Este interruptor activa el sistema de alimentación cuando hay vacío presente en la cámara de combustión. El interruptor de vacío es un dispositivo de seguridad para apagar el motor de alimentación si el tubo de escape o el sistema intercambiador de calor están sucios o tapados o si la puerta de la cámara de combustión está abierta o hay una falla en el ventilador de escape.

### 15. Entrada de aire exterior

El tubo de aire exterior se puede acoplar al tubo de entrada de 2" de diámetro exterior, montado en la parte posterior de la cámara de combustión. Para extender la manguera fuera de la unidad hay una placa de apoyo que debe ser retirada.

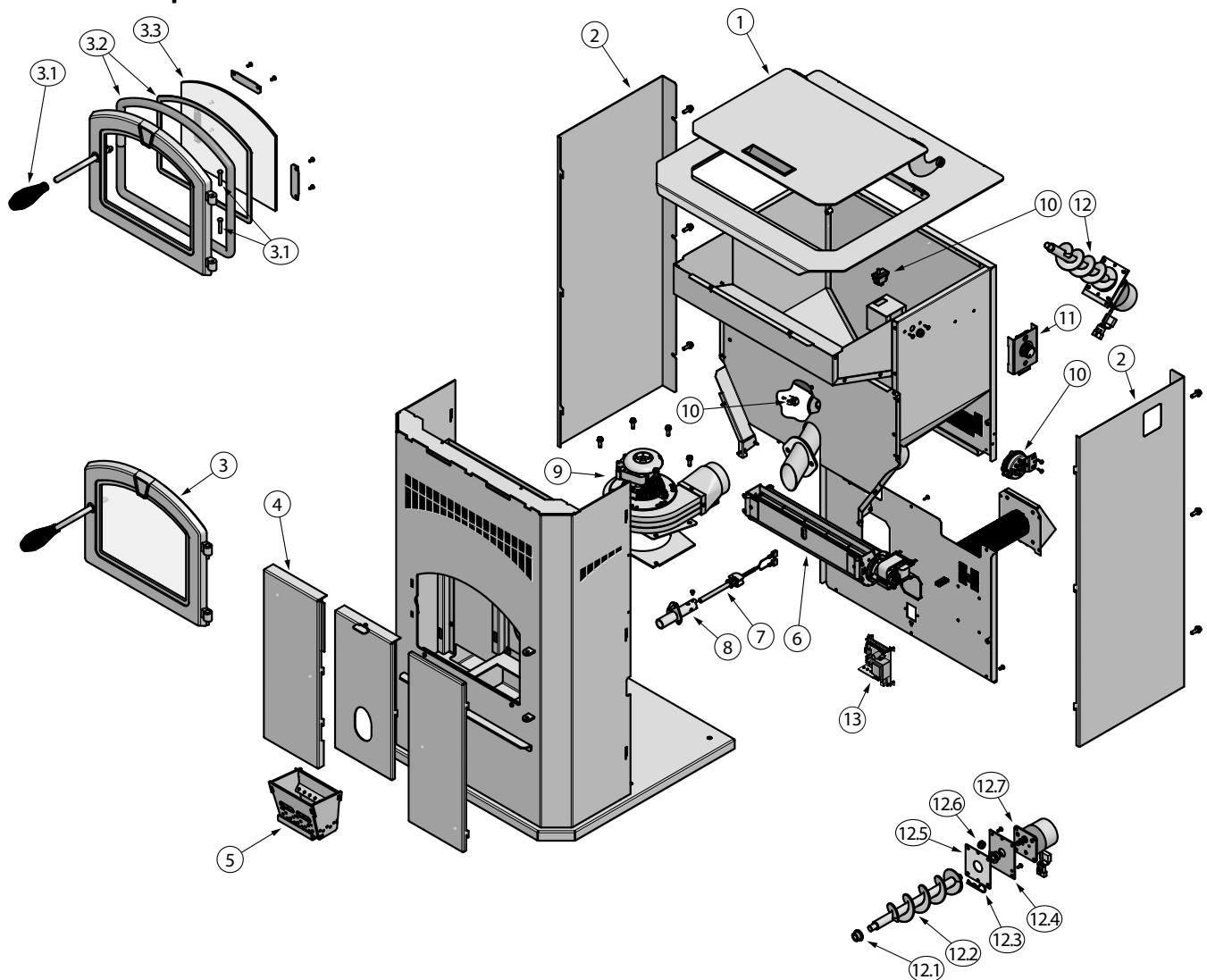
### B. Diagrama de Cableado



# 13

## Materiales de Referencia

### C. Piezas de repuesto



#### Partes de Reemplazo

- |  |  |
|--|--|
| 1. Tapa del Alimentador (1 por unidad)*  | 11. Dial   |
| 2. Paneles Laterales (2 por unidad)*   | 12. Ensamblaje de Alimentación                     |
| 3. Ensamblaje de puerta del frente   | 12.1 Bujes de Bronce (2 por unidad)                |
| 3.1 Manija del resorte y pernos de la bisagra  | 12.2 Ensamblaje de la Barrena                      |
| 3.2 Cuerda de la Puerta empaquetadura y cinta para vidrio                                | 12.3 Pasador de Enganche del Motor de Alimentación |
| 3.3 Vitro-cerámica de 5 mm   | 12.4 Soporte del Motor de Alimentación             |
| 4. Deflectores (3 por unidad)*   | 12.5 Empaquetadura del Motor de Alimentación       |
| 5. Marmita   | 12.6 Arandela de Caucho                            |
| 6. Ventilador de Convección  | 12.7 Motor de Alimentación                         |
| 7. Encendido   | 13. Tablero de Control*                            |
| 8. Cámara de encendido   |  |
| 9. Ventilador de Escape  |  |
| 10. Disco de Interrupción Inmediata, Interruptor de Aspirado, Interruptor de Alimentador |  |

\*CUANDO SOLICITE PARTES DE REEMPLAZO, ESPECIFIQUE EL MODELO PARA QUE LE SUMINISTREN LAS PARTES CORRECTAS







## E. 5 años de garantía

El Grupo GHP garantiza que su nueva estufa de combustión de madera, estufa de combustión de pellets, o el inserto de madera de mampostería está libre de defectos de fabricación y defectos en los materiales durante un periodo de cinco años a partir de la fecha de venta, con sujeción a las siguientes condiciones y limitaciones.

- Esta garantía se extiende al propietario original únicamente, para uso residencial, y está sujeta a una prueba de compra.
- El nuevo producto de GHP debe ser instalado y operado en todo momento de acuerdo con las instrucciones de instalación y de operación suministradas con el aparato, y la instalación debe ceñirse a las normas locales y nacionales. Cualquier modificación, abuso intencional, accidente, fuego excesivo o uso indebido no será cubierto por la garantía.
- La garantía no es transferible, y está extendida al propietario original, siempre que la compra se haya hecho a través de un proveedor autorizado del Grupo GHP. En el momento de presentación de la reclamación, el número de serie debe ser suministrado junto con la factura de venta, la cual debe indicar la fecha de compra.
- Una vez que dicho defecto ha sido confirmado por el Grupo GHP o mediante la inspección de un representante autorizado, esta garantía se limitará únicamente a la reparación o sustitución de piezas, las cuales hayan sido encontradas defectuosas en su material o construcción, siempre que dichas piezas hayan sido sometidas a condiciones normales de uso y servicio. Las piezas defectuosas deben ser enviadas de vuelta al fabricante (a discreción del Grupo GHP), con flete pre-pagado. Los créditos se emitirán una vez que el Grupo GHP reciba la devolución de los productos defectuosos.
- GHP Group, a su discreción, puede dar cumplimiento pleno a todas las obligaciones con respecto a esta garantía, mediante el reembolso del precio al por mayor de la (s) pieza (s) defectuosa (s).
- Cualquier instalación, mano de obra, construcción, transporte u otros costos relacionados o gastos derivados de las piezas defectuosas, la reparación, reemplazo o no de los mismos, no serán cubiertos por esta garantía, ni el Grupo GHP asumirá la responsabilidad de los mismos. Además, el Grupo GHP no se hace responsable de ningún daño incidental, indirecto o consecuente, salvo lo dispuesto por la ley, y en ningún caso superará el precio de compra original.
- Todas las demás garantías expresas o implícitas - con respecto al producto, sus componentes y accesorios, o cualquier otra obligación o responsabilidad por parte del Grupo GHP quedan expresamente excluidas.
- El Grupo GHP no asume ni autoriza a ningún tercero a asumir en nombre del Grupo GHP, cualquier otra responsabilidad con respecto a la venta de este producto del Grupo GHP.
- Las garantías que se indican en este documento no se aplican a los componentes de chimenea u otros productos hechos por otros fabricantes cuando se utilizan en conjunción con la instalación de este producto. El uso inadecuado o el uso de componentes no autorizados pueden anular la garantía. En caso de duda, póngase en contacto con su proveedor más cercano del Grupo GHP o con el Departamento de Servicio al Cliente del Grupo GHP.
- El Grupo GHP no será responsable de:
  - Corrientes descendentes o esparcimiento de humo, causados por condiciones ambientales, tales como árboles cercanos, edificios, tejados, colinas, montañas, o un diseño ineficaz de la chimenea.
  - Ventilación insuficiente, compensaciones excesivas o presión negativa de aire causada por sistemas mecánicos, tales como hornos, secadoras de ropa, ventiladores, etc.
- Esta garantía se anula si:
  - El aparato ha sido operado en atmósferas contaminadas por cloro, flúor, u otros productos químicos perjudiciales.
  - Este aparato ha sido sometido a períodos prolongados de humedad o de condensación.
  - El aparato tiene algún daño debido al agua o a las condiciones climáticas, que son el resultado de, pero no limitado a, una inadecuada instalación de la chimenea / ventilación.
  - El aparato ha sido sometido a abuso deliberado o accidental, o a uso indebido.
  - La utilización de madera corrosiva como la que ha estado en contacto con agua de mar, troncos de fabricación u otros combustibles diferentes de aquellos indicados en las instrucciones de instalación y funcionamiento.
  - El aparato no se mantiene en buenas condiciones, y esto incluye las partes en ladrillo refractario y las empaquetaduras.

### Puertas con Vidrio y Partes Chapadas

El vidrio está garantizado contra rotura térmica únicamente. Para limpiar el vidrio, utilice un limpiador para cerámica / vidrio o una cera. No utilice limpiadores a base de amoníaco. Un limpiador apropiado se puede conseguir en su distribuidor más cercano de Pleasant Hearth. **NO LIMPIE EL VIDRIO MIENTRAS ESTÉ CALIENTE Y NO UTILICE LIMPIADORES ABRASIVOS.**

Las piezas chapadas no serán cubiertas por esta garantía. Las piezas chapadas deberán limpiarse con alcohol desnaturalizado únicamente y frotadas suavemente con un paño sin pelusa que no sea abrasivo. El frotamiento excesivo o el pulido pueden retirar el chapado. Las piezas chapadas también pueden ser dañadas por los productos químicos externos.

### Otras Exclusiones

#### ESTUFA DE LEÑA

Los componentes eléctricos, tales como el ventilador, están cubiertos por cinco (5) años a partir de la fecha de compra si fueron incluidos con la compra de su estufa.

Esta garantía no incluye o no se extiende a la pintura, empaquetaduras o componentes en ladrillo refractario, y no cubre ningún componente que se pueda desmontar de la cámara de combustión tales como retenedores de ladrillo o tubos de aire en acero inoxidable.

#### ESTUFA DE PELLET:

##### Periodo de Cinco Años:

- Las uniones en la cámara de combustión, hechas en acero de carbono y soldadura, están cubiertas contra separación por cinco (5) años.
- La puerta de acero y las bisagras están cubiertas contra agrietamiento por cinco (5) años.

##### Período de Un Año:

- Las piezas de componentes tales como el alimentador, la barrena, la marmita de combustión, la placa deflector, el eje de la barrena y los sujetadores están cubiertos por un (1) año contra la formación de grietas, roturas y la separación de costuras de soldadura.
- Los componentes eléctricos, accesorios, el vidrio y la superficie pintada de la estufa están cubiertos por un (1) año a partir de la fecha de compra

### SI REQUIERE SERVICIO BAJO GARANTÍA

Póngase en contacto con Servicio al Cliente de GHP Group. Asegúrese de tener su comprobante de compra y el modelo y número de serie de su producto de GHP Group.

No intente hacer reparaciones por sí mismo, a menos que GHP Group lo apruebe de antemano por escrito, ya que esto anularía la garantía. GHP Group debe autorizar el servicio y proporcionarle un número de reclamación de garantía antes de cualquier visita de servicio relacionada con la garantía. Sin un número de autorización, ningún servicio será considerado como garantía.

### AVISO IMPORTANTE

ANTES DE ENCENDER SU PRIMER FUEGO, quite la película de plástico y limpie las superficies chapadas con alcohol desnaturalizado o con un limpiador líquido para vidrio no abrasivo y de buena calidad. Aplíquelo con un paño muy suave y limpio. No use toallas de papel para limpiar las partes chapadas. No limpiar todas las marcas y huellas digitales de las superficies chapadas causará un daño permanente.

NOTA: Algunos estados o provincias no permiten la exclusión o limitación de daños incidentales o consecuentes. Las limitaciones anteriores podrían no aplicarse a usted.

**GHP Group, Inc. • 6440 W. Howard St. • Niles, IL 60714**  
**CONSERVE ESTA GARANTÍA**

No. de serie \_\_\_\_\_

No. de modelo \_\_\_\_\_

Fecha de compra \_\_\_\_\_

## Información de Contacto



6440 W. Howard St.  
Niles, IL 60714  
877-447-4768

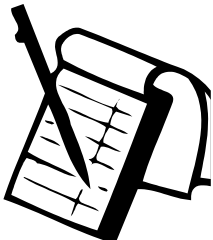
**Por favor, póngase en contacto con el Grupo GHP para cualquier pregunta o inquietud.**

[www.ghpgroupinc.com](http://www.ghpgroupinc.com)

**Para servicio al cliente 1-877-477-4768**

Antes de llamar, tenga a mano el modelo, número de serie, y el recibo de compra de la unidad acerca de la cual está llamando.

Esta información se puede encontrar en la parte posterior de la unidad.



**Le recomendamos que grabe la siguiente información pertinente acerca de su estufa de pellet del Grupo GHP**

Fecha de compra / Fecha de instalación \_\_\_\_\_

Número de serie \_\_\_\_\_ Ubicación en el aparato: \_\_\_\_\_

En qué tienda la compró \_\_\_\_\_ Ubicación de la tienda: \_\_\_\_\_

Anotaciones: \_\_\_\_\_

\_\_\_\_\_

\_\_\_\_\_

Fabricado por GHP en el  
Qingdao Hichanse Group., Ltd  
No. 25, Wenhua Road  
Jimo, Qingdao, China 266200  
Hecho en China