

Muskoka®

Electric Fireplace
48 in / 121 cm

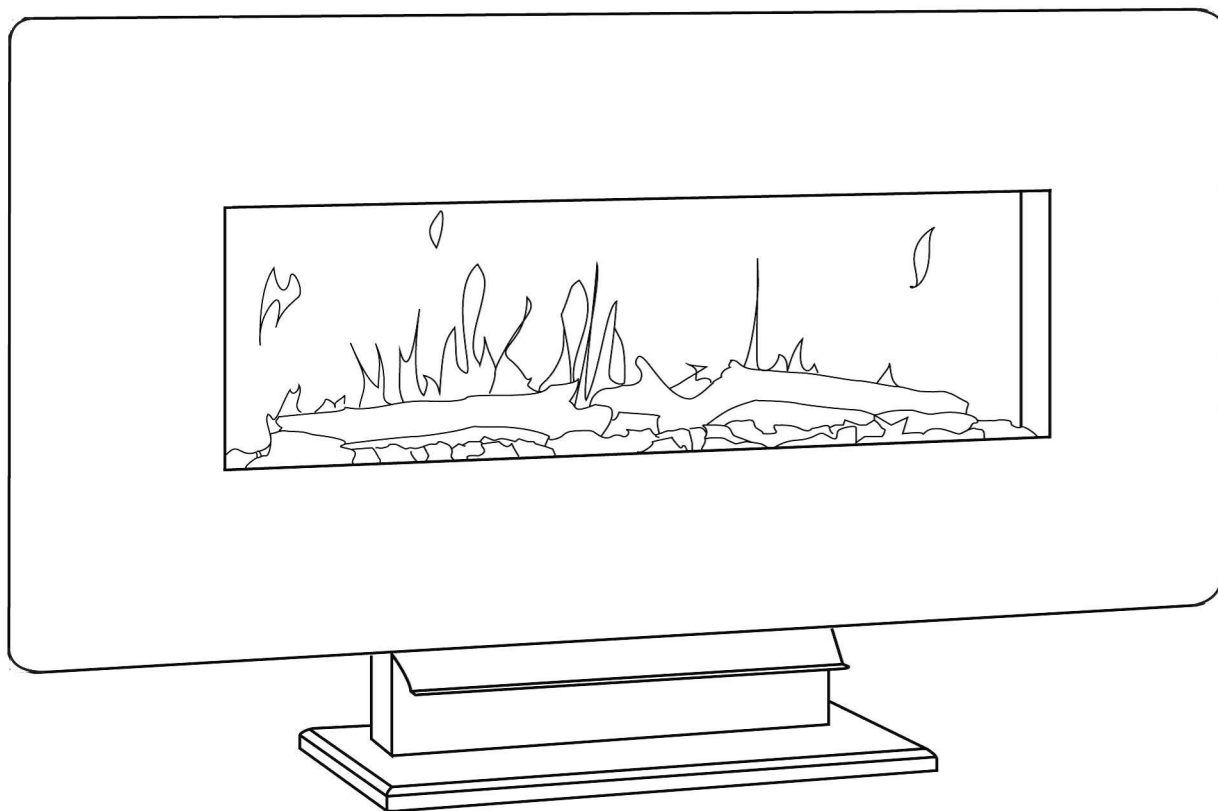
Foyer électrique mural courbé de
121 cm / 48 po

Chimenea eléctrica de
48 pulg / 121 cm

Important:
Retain for future reference:
Read carefully

Important :
Conserver pour référence
ultérieure : lire attentivement

Importante:
Conserve para referencias futuras:
Lea cuidadosamente antes de usar




C US
218326

Français p. 17
Español p. 32

Model/Modèle/Modelo : 310-48C-10- Brand/Marque : MUSKOKA®

190806

Table of Contents

Table of Contents	2
Safety Information	2
Warranty	3
Pre-Installation	4
Installation - Wall-Mount	8

Installation - Table Top	9
Operation	11
Care and Cleaning	14
Maintenance	15
Service Parts	16

Safety Information

Retain for future reference: Read carefully

1. Read all instructions before using this fireplace.
2. Always unplug this appliance when not in use.
3. Children should be advised not to play with this fireplace.
4. Do not operate any heater with a damaged cord or plug or after the heater malfunctions, has been dropped or damaged in any manner. Return heater to authorized service facility for examination, electrical or mechanical adjustment, or repair.
5. Any repairs to this appliance should be carried out by qualified/authorized service personnel only.
6. Under no circumstances should this appliance be modified. Parts having to be removed for servicing must be replaced with original "OEM" (original equipment manufacturers) parts only.
7. Do not use outdoors.
8. This appliance is not intended for use in bathrooms, laundry areas, and similar indoor locations. Never locate this appliance where it may fall into a bathtub or other water container.
9. Do not run the cord under carpeting. Do not cover the cord with throw rugs, runners, or the like. Arrange the cord away from traffic areas and where it will not be tripped over.
10. To disconnect heater, turn controls to off, then remove plug from outlet.
11. Connect to properly grounded outlets only.
12. This appliance, when installed, must be electrically grounded in accordance with local codes, with the current CSA C22.1 Canadian Electric codes, or for USA installations, follow local codes and the National Electrical Code, ANSI/NFPA No. 70.
13. There is a thermostat limiter inside the fireplace. When the inner temperature over heats or abnormal heating occurs, the thermostat protective device will cut off power supply to avoid damage to the fireplace or risk of fire.
14. This appliance has hot and arching or sparking parts inside. Do not use it in areas where gasoline, paint, or flammable liquids are used or stored. This appliance should not be used as a drying rack for clothing, nor should Christmas stockings or decorations be hung on or near it.
15. Use this appliance only as described in this manual. Any other use not recommended by the manufacturer may cause fire, electric shock, or injury to persons.
16. The use of an extension cord is not recommended due risk of fire. If used the extension cord shall be No. 14 AWG minimum size and rated no less than 1875 watts, and the extension cord

shall be a three-wire cord with grounding type plug and cord connector. The extension cord shall not be more than 20 ft (6 m) in length.

17. Do not use this appliance with a programmable timer or any other device that switches the appliance on and off automatically. In order to avoid a hazard due to inadvertent resetting of the thermal cut out, this appliance must not be supplied through an external switching device, such as a timer, or connected to a circuit that is regularly switched on and off by an utility.
18. This product contains a button battery. If swallowed, it could cause severe injury or death in just 2 hours. Seek medical attention immediately.



CAUTION: Operate only on supplied stand or mounted to wall.



WARNING: This heater is hot when in use. To avoid burns, do not let bare skin touch hot surfaces. If provided, use handles when moving this appliance. Keep combustible materials, such as furniture, pillows, bedding, papers, clothes, and curtains at least 3 feet (0.9 m) from front, sides and rear of the heater.



CAUTION: When using electrical appliances, basic precautions should always be followed to reduce the risk of fire, electrical shock, and injury to persons.



CAUTION: To prevent a possible fire, do not block heater air intakes or the exhaust in any manner. Do not operate the heater on soft surfaces, like a bed, where openings may become blocked.



CAUTION: Do not insert or allow foreign objects to enter any ventilation or exhaust openings, as this may cause an electric shock or fire, or damage to the heater.



CAUTION: Extreme caution is necessary when any heater is used by or near children or invalids, and whenever the heater is left operating and unattended.



IMPORTANT: SAVE THESE INSTRUCTIONS.

1 YEAR WARRANTY

WHAT IS COVERED

The manufacturer warrants that your new electric fireplace is free from manufacturing and material defects for a period of one year from date of purchase, subject to the following conditions and limitations.

This electric fireplace must be installed and operated at all times in accordance with the instructions furnished with the product. Any alteration, willful abuse, accident, or misuse of the product shall nullify this warranty. This warranty is non-transferrable, and is made to the original owner, provided that the purchase was made through an authorized supplier of the manufacturer. This warranty is limited to the repair or replacement of part(s) found to be defective in material or workmanship, provided that such part(s) have been subjected to normal conditions of use and service, after said defect is confirmed by the manufacturer's inspection. The manufacturer may, at its discretion, fully discharge all obligations with respect to this warranty by refunding the wholesale price of the defective part(s).

WHAT IS NOT COVERED

Any installation, labor, construction, transportation, or other related costs/expenses arising from defective part(s), repair, replacement, or otherwise of same, will not be covered by this warranty, nor shall the manufacturer assume responsibility for same. Further, the manufacturer will not be responsible for any incidental, indirect, or consequential damages, except as provided by law.

All other warranties - expressed or implied - with respect to the product, its components and accessories, or any obligations/liabilities on the part of the manufacturer are hereby expressly excluded. The manufacturer neither assumes, nor authorizes any third party to assume, on its behalf, any other liabilities with respect to the sale of this product. The warranties as outlined within this document do not apply to nonmanufacturer accessories used in conjunction with the installation of this product.

This warranty does not cover the light bulb(s) included with the fireplace.

This warranty is void if: the fireplace has been operated in atmospheres contaminated by chlorine, fluorine, or other damaging chemicals; the fireplace is subjected to prolonged periods of dampness or condensation; the fireplace is altered, willfully abused, damaged by accident, or misused in any way.

Make sure you have your warranty, your sales receipt, and the model/serial number of your product.

Our goods come with a guarantee that cannot be excluded under the Australian Consumer Law. You are entitled to a replacement or refund for a major failure and for compensation for any other reasonably foreseeable loss or damage. You are also entitled to have the goods repaired or replaced if the goods fail to be of acceptable quality and the failure does not amount to a major failure.

DO NOT ATTEMPT TO DO ANY SERVICE WORK YOURSELF. PLEASE CONTACT CUSTOMER SERVICE AT:



1-877-447-4768 Monday to Friday from 8:00AM to 4:30PM (CST),

Web: www.ghpgroupinc.com



Email: customerservice@ghpgroupinc.com

Canada: 271 Massey Road, Guelph, Ontario, Canada, N1K 1B2

USA: 6440 W. Howard Street, Niles, Illinois U.S.A. 60714



Pre-Installation

PLANNING INSTALLATION

Before you begin assembly, locate the instructions and hardware. Compare all parts with the Hardware Included and Package Contents lists. Be sure you have all the parts and can identify them. A helping hand is always good. Assemble your fireplace with an adult assistant if possible. Some pieces are heavy and will need to be held by a helper. Assembly time will take approximately 5-20 minutes.

Before assembly, use scissors to unwrap the parts from the packaging. Do not use a box cutter or exacto-knife, as you may cut into the heater pieces inside the box and damage the finish. Check for the red hardware bag located inside the packaging, taped to the top of the box. Do not discard any pieces. Use an appropriate screwdriver to insert and tighten all screws.

CAUTION: This carton includes a GLASS panel! Always use extreme caution when handling glass. Failure to do so could result in personal injury or property damage.

SPECIFICATIONS

Model No.	310-48C-10
Wall Mounted Dimensions W x D x H	121 cm x 12.3 cm x 44 cm (48 in x 4.8 in x 17.3 in)
Stand Mounted Dimensions W x D x H	121 cm x 21.6 cm x 54.6 cm (48 in x 8.7 in x 21.5 in)
Net Weight / Gross Weight	20.2 kg (44.5 lb) / 24.5 kg (54 lb)
Voltage	120V
Frequency	60 Hz
Watts / Amps	1400 W / 11.7 A

ELECTRICAL CONNECTION

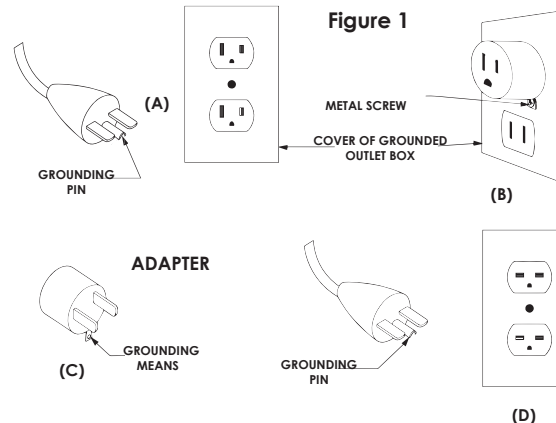
WARNING: Electrical outlet wiring must comply with local building codes and other applicable regulations to reduce the risk of fire, electrical shock, and injury to persons.

WARNING: Do not use this fireplace if any part of it has been under water. Immediately call a qualified service technician to inspect the fireplace and replace any part of the electrical system which has been under water.

A 15 Amp, 120 Volt, 60 Hz circuit with a properly grounded outlet is required to operate this appliance. Preferably, the appliance will be on a dedicated circuit, as other appliances on the same circuit may cause the circuit breaker to trip or the fuse to blow when the fireplace is in operation. The unit comes standard with a 6 ft (1.8 m) long 3-wire cord, exiting out the back of the fireplace. Plan the installation to avoid the use of an extension cord. If an extension cord must be used, it must be a minimum No. 14 AWG, 3-wire with grounding type plug and connector, and must be rated not less than 1875 watts. The extension cord shall not be more than 20 ft (6 m) in length.

GROUNDING INSTRUCTIONS

This heater is for use with 120 volts. The cord has a plug as shown at (A) in Figure 1. An adapter as shown at (C) is available for connecting three-blade grounding-type plugs to two-slot receptacles. The green grounding lug extending from the adapter must be connected to a permanent ground such as a properly grounded outlet box. The adapter should not be used if a three-slot grounded receptacle is available.



NOTE: Adapters are NOT for use in Canada.

Remote Control

This Class (B) device complies with Part 15 of the FCC Rules and Canadian ICES-003. Operation is subject to the following two conditions:

(1) This device may not cause harmful interference, and (2) this device must accept any interference received, including interference that may cause undesired operation. There is no guarantee that interference will not occur in a particular installation. If this equipment does cause harmful interference to radio or television reception, which can be determined by turning the equipment off and on, the user is encouraged to try to correct the interference by one or more of the following measures:

- Reorient or relocate the receiving antenna.
- Increase the separation between the equipment and receiver.
- Connect the equipment into an outlet on a circuit different from that to which the receiver is connected.
- Consult the dealer or an experienced radio/TV technician for help.

This remote control requires 1 Lithium Coin Cell Battery (size CR2025), which is included.

CAUTION: Changes or modifications to this unit not expressly approved by the party responsible for compliance could void the user's authority to operate the equipment

WARNING:



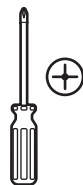
- DO NOT mix old and new batteries.
- DO NOT use re-chargeable silver oxide cell batteries with remote control unit.
- DO NOT mix alkaline, standard (Carbon-Zinc), or rechargeable (Nickel-Cadmium) batteries.
- DO NOT dispose of batteries in fire. Improper disposal may cause batteries to leak or explode.

Pre-Installation (continued)

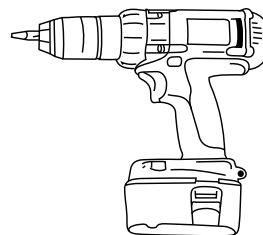
TOOLS REQUIRED (not included)



Safety goggles



Phillips screwdriver



Power drill

HARDWARE INCLUDED



NOTE: Hardware shown to actual size.



AA



BB

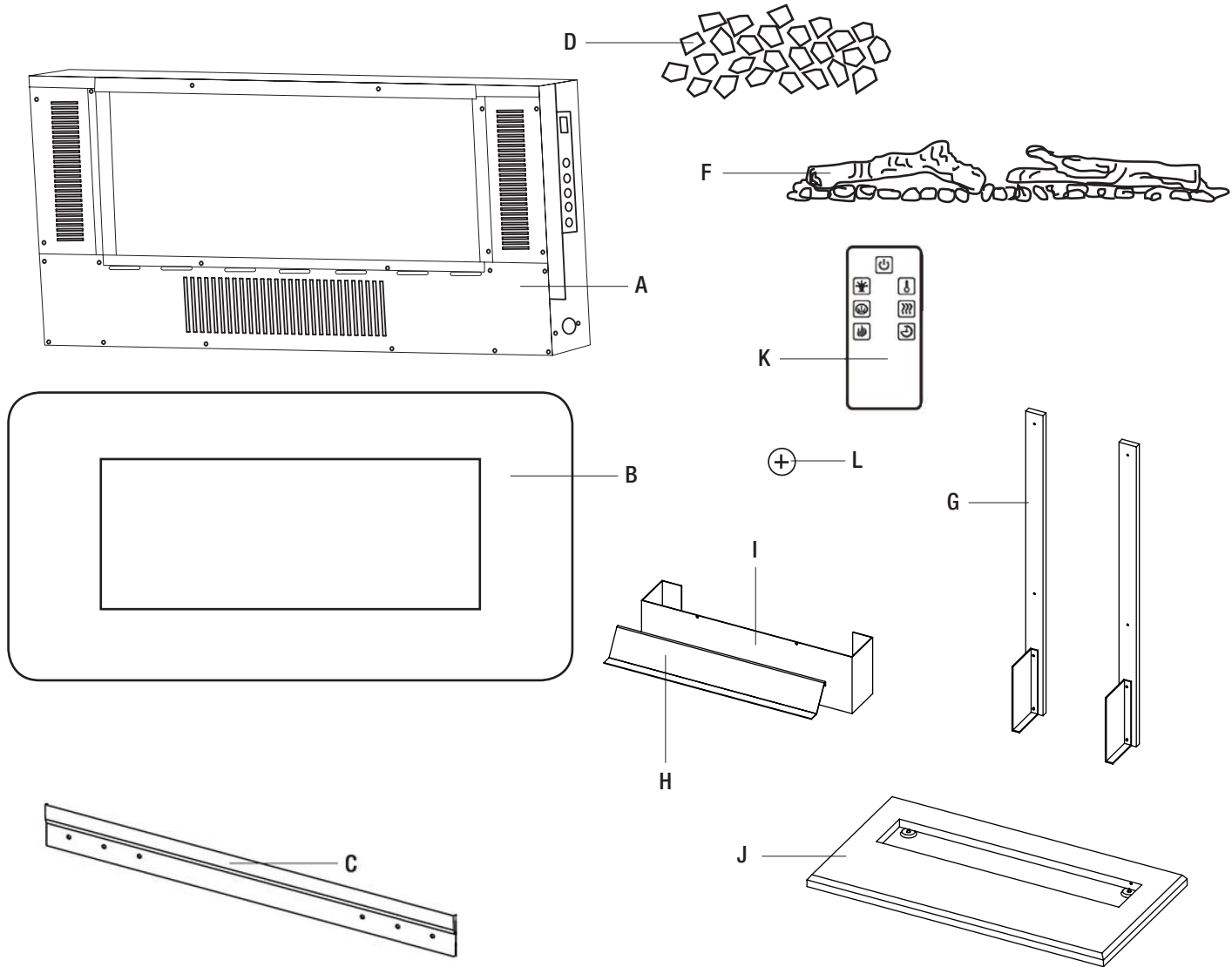


CC

Part	Description	Quantity
AA	Small Screw	12
BB	Large Screw	2
CC	Wall Anchor	2

Pre-Installation (continued)

PACKAGE CONTENTS



Part	Description	Quantity
A	Electric Firebox	1
B	Glass Front	1
C	Mounting Bracket (attached to the Firebox A)	1
D	Acrylic Crystals	1
F	Log Set	1
G	Table Top Support	2

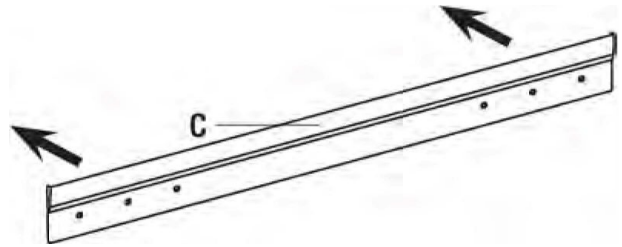
Part	Description	Quantity
H	Deflector	1
I	Front	1
J	Table Top Base	1
K	Remote Control	1
L	Battery	1

Note: Both table top supports are identical.

Installation - Wall-Mount

1 Positioning the mounting bracket

- Choose a solid wall. Position the mounting bracket (C) where the electric firebox (A) is to be installed on the wall, and ensure that the mounting bracket (C) is level.
- Use a pen to mark the 2 mounting holes on the wall at the desired mounting location, using the mounting bracket (C) as a template.



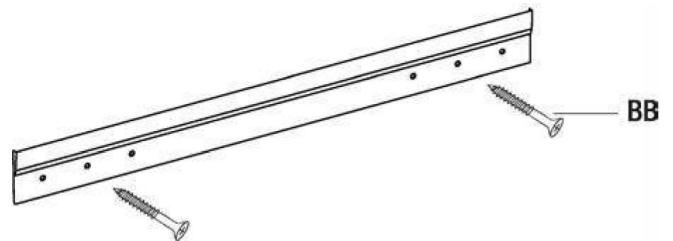
2 Securing the mounting bracket

- Insert the 2 self-drilling wall anchors (CC) into the wall where previously marked. If installing the mounting bracket (C) to a wall stud, there is no need to drill the holes in the wood and no need for the plastic wall anchors (CC). It is recommended to install the mounting bracket to at least one stud.



3 Securing the mounting bracket

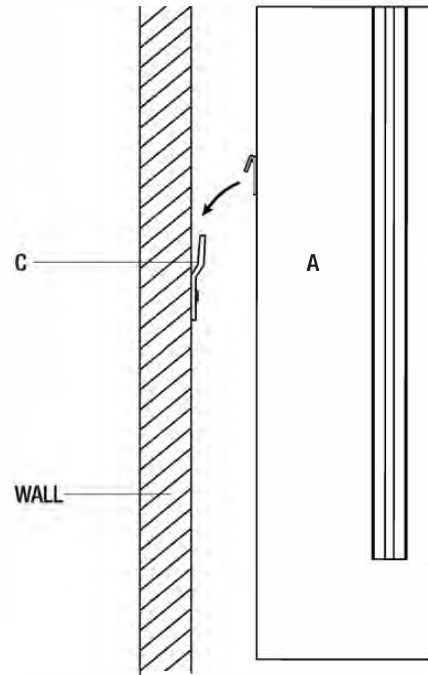
- Secure the mounting bracket (C) to the wall using 2 large screws (BB).



Installation - Wall-Mount (continued)

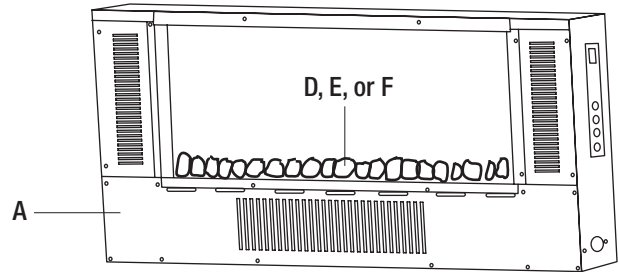
4 Hanging the electric firebox

- Hang the electric firebox (A) on the mounting bracket (C).



5 Inserting the ember bed

- Arrange the ember beds (acrylic crystals [D] pebbles [E] or log set [F]) along the inset window ledge at the front of the electric firebox (A).

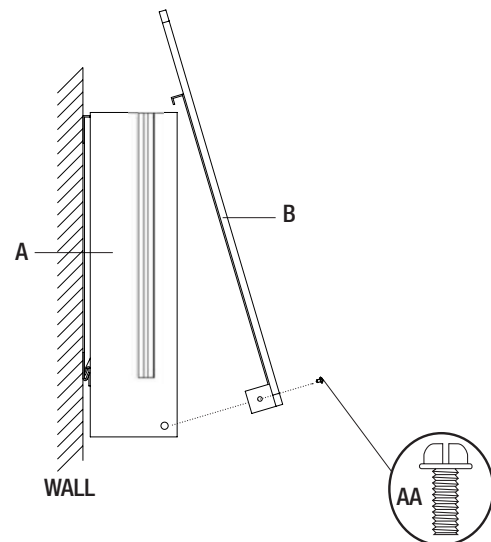


6 Installing the glass front

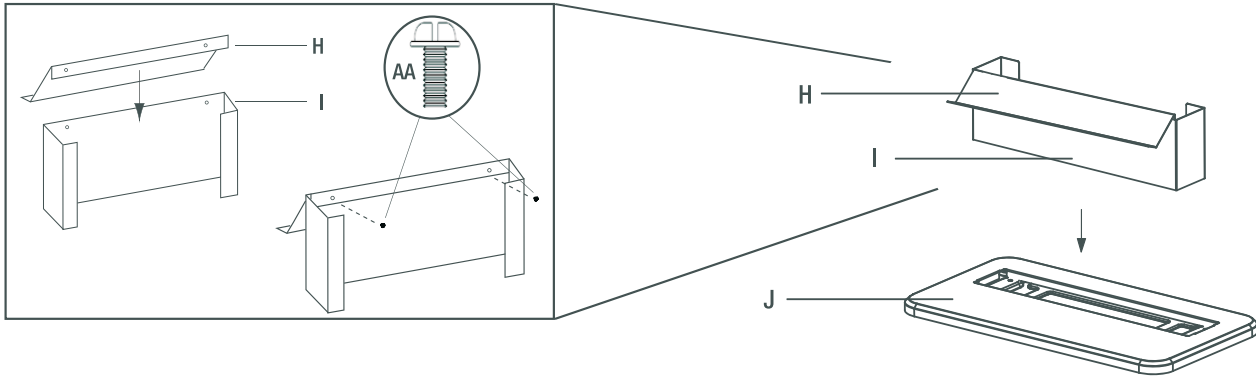


NOTE: This glass front is heavy. It is recommended that you use two people at this stage to prevent damage to the glass front or the electric firebox.

- Lift the glass front (B) into place, making sure the 2 tabs on the top back of the glass front (B) fit securely into the holes on the top of the electric firebox (A).
- Secure the glass front (B) by fastening two small screws (AA) on both sides.

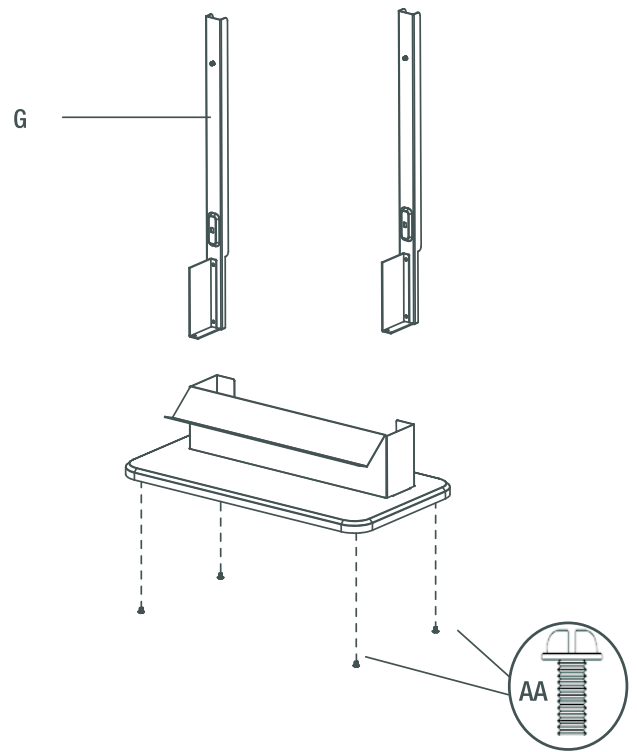


Installation - Table Top



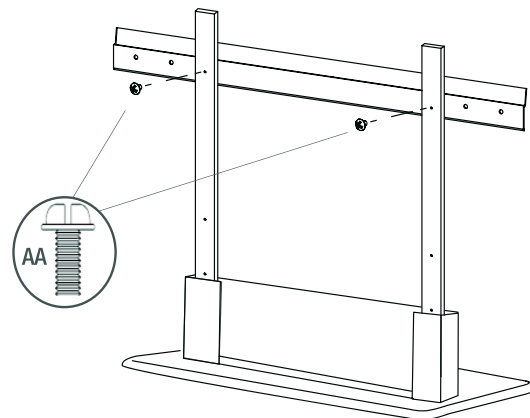
1 Assembling the Table Top Stand

- Attach the deflector (H) to the front (I) using 2 small screws (AA). Slide the whole part on to the table top base (J).
- Attach the left and right table top supports (G) to the table top base (J) using 4 screws (AA).



2 Securing the mounting bracket

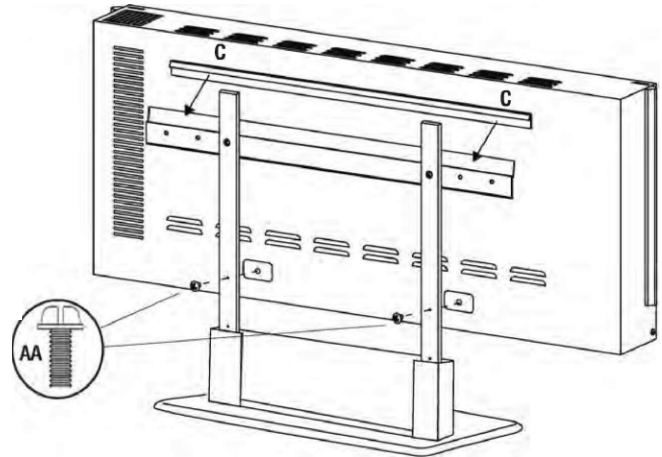
- Use a screwdriver to secure the mounting bracket (C) to the table top stand with 2 small screws (AA).



Installation - Table Top (continued)

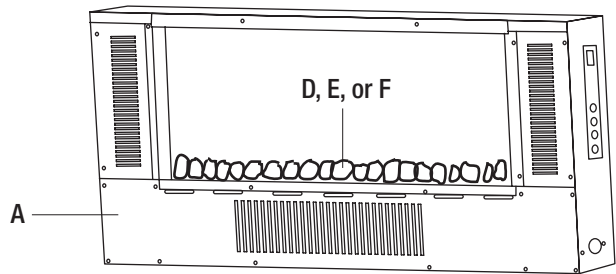
3 Securing the electric firebox

- Using a screwdriver, secure the electric firebox (A) to the the mounting bracket (C) with 2 small screws (AA).



4 Inserting the ember bed

- Arrange the ember beds (acrylic crystals [D], pebbles [E] or log set [F]) along the inset window ledge at the front of the electric firebox (A).

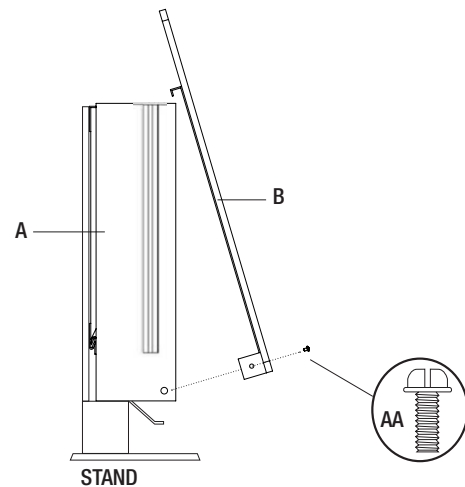


5 Installing the glass front



NOTE: This glass front is heavy. It is recommended that you use two people at this stage to prevent damage to the glass front or the electric firebox.

- Lift the glass front (B) into place, making sure the 2 tabs on the top back of the glass fit securely into the holes on the top of the electric firebox (A).
- Secure the glass front (B) by fastening two small screws (AA) on both sides.

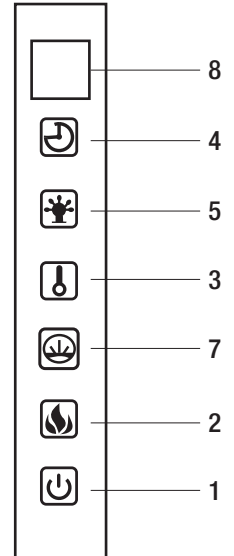
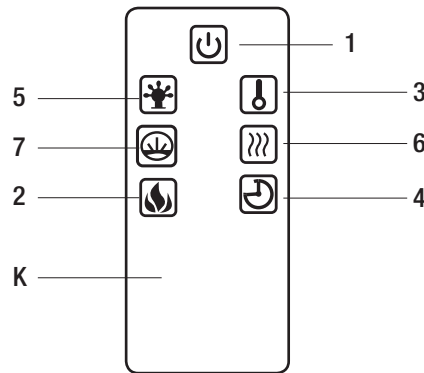


Operation

USING THE MANUAL AND REMOTE CONTROLS

On the top-right side plate of the electric fireplace (A) is the control panel. This panel contains the buttons to properly operate the electric fireplace. The buttons on the control panel on the side of the electric fireplace (A) and the remote control (K) function in the same way. The remote control has an effective range of up to 13 ft.

1. Power Button
2. Flame Control Button
3. Heater Control Button
4. Timer Control Button
5. Side Light Control Button
6. Heater on / off Switch
7. Ember Bed Control Button
8. Digital Display Panel



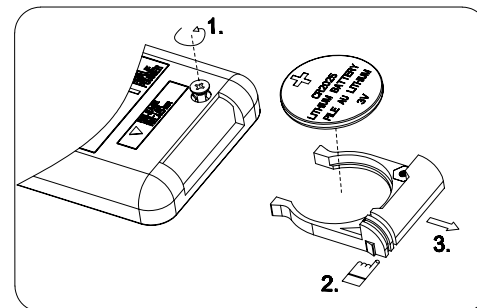
USING THE POWER BUTTON



- The main power button (1) is located on the control panel on the side of the electric fireplace.
- Pressing the power button (1) once turns the power on.
- Pressing the power button (1) again will turn the power off.
- If you find that none of the other buttons appear to work, check to make sure that the main power (1) is turned on.

BATTERY REPLACEMENT

3 Volt lithium coin cell type CR 2025



This product contains a button battery. If swallowed, it could cause severe injury or death in just 2 hours. Seek medical attention immediately.

USING THE FLAME CONTROL BUTTON



- Press the flame control button (2) to turn on the ember bed and flame effect.
- Pressing the flame control button (2) once turns flames on and lights the ember bed.
- Pressing the flame control button (2) again will cycle through different colors of the ember bed. The color rotation mode will cycle through different color settings continuously. Reference the table for more detailed information.

Button Press	Display Value	Ember Bed Color
1st Press	1	Orange
2nd Press	2	Green
3rd Press	3	Blue
4th Press	4	Orange/Green
5th Press	5	Orange/Blue
6th Press	6	Orange/Green/Blue
7th Press	7	Cycle

Operation (continued)

USING THE THERMOSTAT CONTROL BUTTON



- Pressing the heat button (3) once turns the heater fan on.
- Press and hold the heater button for 5 seconds to enter the temperature mode. After 5 seconds press the heat button to cycle through the different heat settings. Continue to press the heat button to cycle through the different heat settings.
- Once the desired room temperature is reached the heater fan will deactivate.
- Reference the table for more information.
- To display the temperature setting in either Fahrenheit or Celsius, press the heat button (3) of control panel once, then press and hold the power button (1) of control panel for 5 seconds. The display will beep and switch between Fahrenheit or Celsius.

Button Press	Celsius Temperature
1	17°C
2	18°C
3	19°C
4	20°C
5	21°C
6	22°C
7	23°C
8	24°C
9	25°C
10	26°C
11	27°C
12	ON

Button Press	Fahrenheit Temperature
1	62°F
2	63°F
3	64°F
4	65°F
5	66°F
6	67°F
7	68°F
8	69°F
9	70°F
10	71°F
11	72°F
12	73°F
13	74°F
14	75°F
15	76°F
16	77°F
17	78°F
18	79°F
19	80°F
20	81°F
21	82°F
22	ON

USING THE TIMER CONTROL BUTTON



- Pressing the timer control button (4) will set the timer. This interval period is shown in the display (8) on the control panel on the side of the electric fireplace. The set intervals are as listed in the table.

Button Press	Timer Interval	Display Value
1st Press	30 Min	30
2nd Press	1 Hour	1H
3rd Press	2 Hours	2H
4th Press	3 Hours	3H
5th Press	4 Hours	4H
6th Press	5 Hours	5H
7th Press	6 Hours	6H



NOTE: If this product experiences exceptionally high temperature, it may automatically stop heating. If this occurs the product should be unplugged or isolated from the main supply for a period of 5 minutes before the power is then resupplied.

Operation (continued)

ADJUSTING THE AMBIENT SIDE LIGHTING



- Press the side light control button (5) to turn on the ambient lighting.
- To change the color of the lighting press the side light control button (5) again. You can control the side lights color as described in the table. The color rotation mode will cycle through different color settings continuously.

Button Press	Side Light Color	Display
1st Press	Blue	—
2nd Press	Red	==
3rd Press	Cycle	===
4th Press	Off	

HEATER LOCKING FUNCTION



- To turn off heat mode, press and hold the flame button for 5 seconds to enter heat lock out mode. Flame lights will flash 5 times to signal the heat function is turned off and locked out. To turn on heat mode, press and hold the heat button for 5 seconds. The flame lights will flash 5 times and the heat function will be restored. When the heat button is pressed in lock out mode, the ember bed will flash 5 times until the heating mode is turned on.

USING THE EMBER BED / LOGSET CONTROL BUTTON



- Pressing the ember bed control button (7) once will light the ember bed. Continue to press the ember bed control button (7) to cycle through different colors of the ember bed. Reference the table for more information.

Button Press	1	2	3	4	5	6	7
Ember bed/ Logset	Orange	Green	Blue	Red	Red/Blue (Mix to Purple)	Red/Green/Blue (Mix to White)	Cycle
Display	1	2	3	4	5	6	7

Care and Cleaning



IMPORTANT: Always unplug the power cord before cleaning the unit. Allow the unit to cool before cleaning it.

- Wipe the exterior surface of the electric firebox occasionally with a soft, damp cloth (not dripping wet), and dry the exterior surface before operating.
- Do not immerse the electric fireplace in water.
- Do not use any cleaning chemicals such as detergents and abrasives.
- Do not allow the interior to get wet, as this could create a hazard.
- Light accumulated dust may be removed from the electric fireplace with a soft, dry cloth.
- To store the electric fireplace, put it back into its original packaging and store in a clean, dry place.
- The blower and flame motor are pre-lubricated for a durable using time and need no further lubrication or maintenance. Dust particles will accumulate on/in the electric fireplace, so periodic cleaning/vacuuming of the electric fireplace is recommended.
- Always turn the heater OFF and unplug the power cord from the outlet before cleaning.
- Cleaning of the control panel, located in the upper right-hand corner of the fireplace behind the sliding control panel cover, is to be done only using a soft cloth, slightly dampened in water (if needed, a small amount of dish soap can be added to the water) and dried using a clean, dry soft cloth. Cleaning of the screen diffuser is to be done using only water and lint free cloth. **DO NOT** use any abrasive on the controls and the diffusing screen.



CAUTION: Do not mix old and new batteries.

Do not mix alkaline, standard (carbon-zinc), or rechargeable (ni-cad, ni-mh, etc) batteries.

DISPOSAL OF USED BATTERIES



Battery may contain hazardous substances which could endanger the environment and human health.

This symbol marked on the battery and/ or packaging indicates that used battery shall not be treated as municipal waste. Batteries should be disposed of at an appropriate collection point for recycling. By ensuring the used batteries are disposed of correctly, you will help prevent potential negative consequences for the environment and human health. The recycling of materials will help to conserve natural resources. For more information about the recycling of used batteries, please contact your local municipality waste disposal service.

Maintenance

DANGER



Disconnect power before servicing.

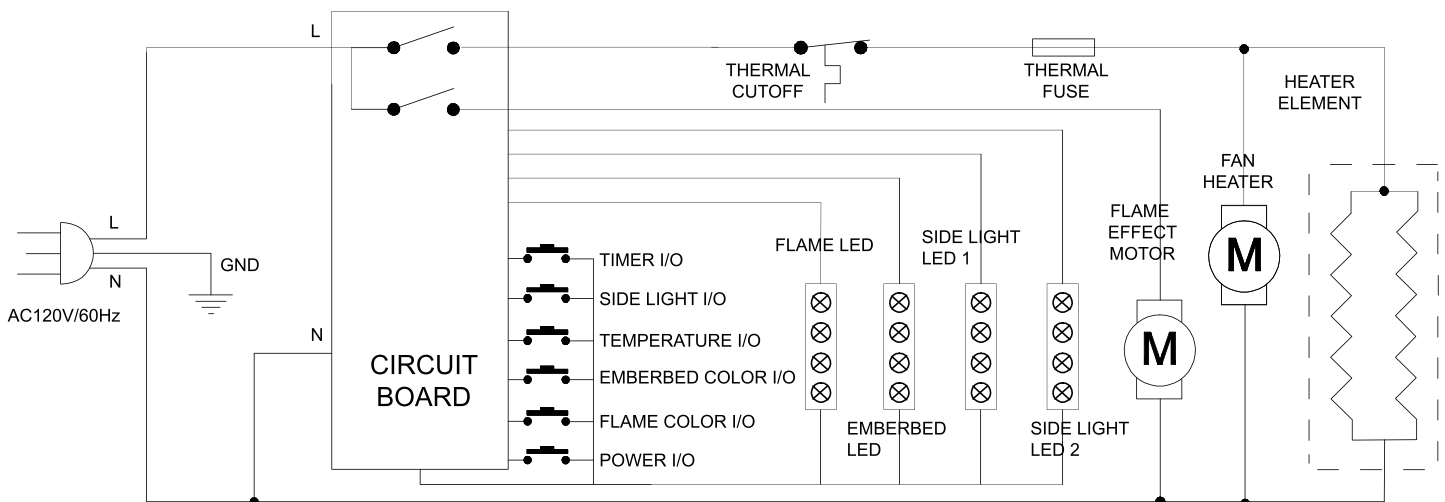


Any electrical re-wiring of this appliance must be done by a qualified electrician. This wiring must be done in accordance with local codes and/or in Canada with the current CSA C22.1 Canadian Electrical Code, and for US installations, the National Electrical Code ANSI/NFPA NO 70.



If repairing or replacing any electrical component or wiring, the original wire routing, color coding and securing locations must be followed.

CIRCUIT DIAGRAM



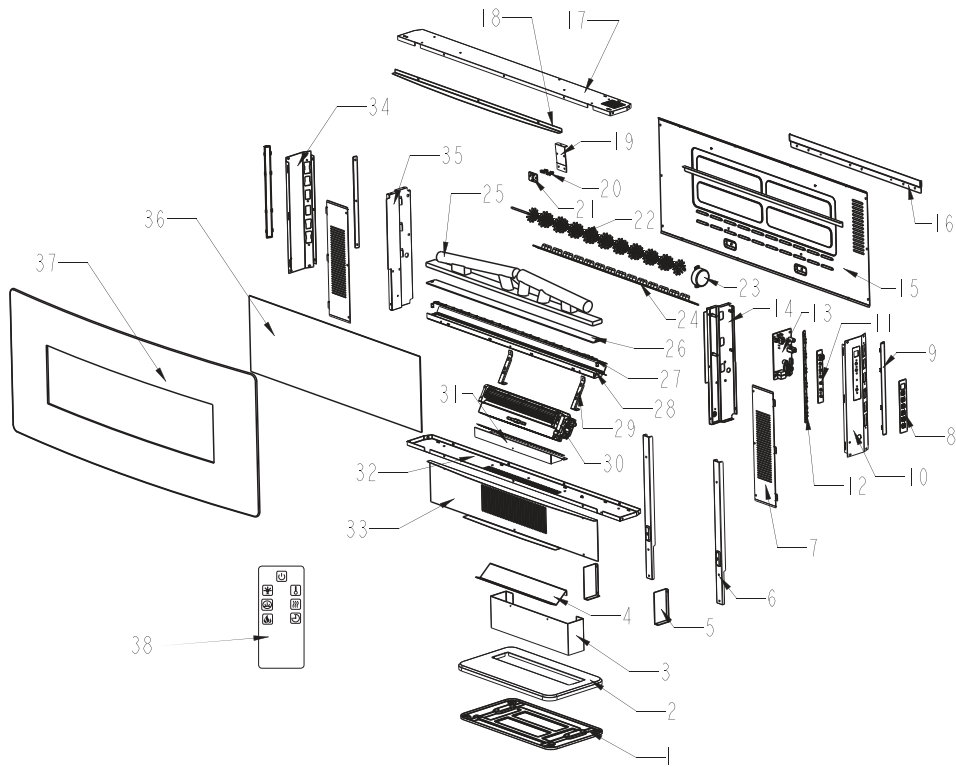
WARNING: Disconnect power before servicing.

WARNING

This Product can expose you to chemicals including Diisononyl phthalate (DINP) which is known to the State of California to cause cancer and Di-isodecyl phthalates (DIDP) which is known to the State of California to cause birth defects or other reproductive harm.

For more information go to www.p65Warnings.ca.gov

Service Parts



Part	Description	Part #
1	bottom panel 2	SF31042001
2	bottom panel 1	SF31042002
3	front panel	SF31042003
4	ventilation support	SF31042004
5	stiffener 2	SF31042005
6	stiffener 1	SF31042006
7	left and right cover board	SF31042007
8	key sticker	SF31042008
9	mood light cover	SF31042009
10	right weld board	SF31042010
11	key PCB	SF31042011
12	sidelight PCB	SF31042012
13	main PCB	SF31042013
14	right middle board	SF31042014
15	back board	SF31048020
16	bottom hang board	SF31042016
17	top board	SF31048013
18	light cover	SF31048041
19	remote fixed board	SF31042019

Part	Description	Part #
20	spacer	SF31042020
21	receive PCB	SF31042021
22	reflector	SF31048021
23	SYS motor	SF31042023
24	flame PCB	SF31048004
25	logset	SF31048007
26	PP board 2	SF31048040
27	uplight PCB	SF31048001
28	flame PCB bracket	SF31048048
29	blower support	SF31042029
30	blower	SF31042030
31	ventilation panel	SF31042031
32	bottom board	SF31048014
33	front panel	SF31048015
34	left weld board	SF31042034
35	left middle board	SF31042035
36	PP board 1	SF31048023
37	brushed steel front	SF31048016
38	remote control	SF31042039

Table des matières :

Table des matières	17
Renseignements de sécurité	17
GARANTIE	18
Préinstallation	19
Installation - Montage mural	22

Installation - Sur table	24
Utilisation	26
Entretien et nettoyage	29
Entretien	30
Pièces de rechange	31

Renseignements de sécurité

Conservé pour référence ultérieure : lire attentivement

1. Lire toutes les instructions avant d'utiliser cet appareil de chauffage.
2. Débrancher toujours l'appareil lorsqu'il n'est pas utilisé.
3. Les enfants devraient être avisés de ne pas jouer avec ce foyer.
4. Ne pas utiliser un appareil de chauffage pourvu d'un cordon d'alimentation ou d'une fiche endommagés, ni après une défaillance de l'appareil, ni si l'appareil est tombé au sol ou s'il a été endommagé de quelque façon. Retourner l'appareil de chauffage à un atelier de service autorisé pour faire effectuer une vérification, un ajustement des systèmes électriques et mécaniques ou pour toute réparation.
5. Toute réparation de cet appareil doit être effectuée par un personnel d'entretien qualifié et autorisé seulement.
6. La modification de cet appareil est absolument interdite. Les pièces qui doivent être déposées pour un service d'entretien doivent être remplacées des pièces d'origine seulement.
7. Ne pas utiliser à l'extérieur.
8. Cet appareil de chauffage n'a pas été conçu pour être utilisé dans une salle de bain, une salle de lavage ni pour tout autre endroit similaire à l'intérieur. Ne jamais placer cet appareil où il pourrait tomber dans la baignoire ou un contenant rempli d'eau.
9. Ne pas acheminer le cordon sous un tapis. Ne pas couvrir le cordon d'une moquette ou d'un tapis, ou de tout autre matériau similaire. Disposer le cordon à bonne distance des zones de passage, à un endroit où il ne risque pas d'être un obstacle.
10. Pour débrancher l'appareil, tourner la commande en position d'arrêt (OFF), puis débrancher la fiche de la prise murale.
11. Branchez dans des prises correctement mises à la terre seulement.
12. Lors de l'installation, veillez à ce que le foyer soit mis à la terre conformément aux codes locaux, à la plus récente version du Code canadien de l'électricité, CSA C22.1 ou, dans le cas des installations aux É.-U., aux codes locaux et au code national de l'électricité, ANSI/NFPA N° 70.
13. Il y a un thermostat à l'intérieur du foyer. Quand la température interne est trop élevée ou qu'un chauffage anormal se produit, le dispositif protecteur à thermostat coupera l'alimentation pour éviter des dommages au foyer ou un risque d'incendie.
14. Ce foyer renferme des pièces chaudes et qui produisent des arcs électriques ou des étincelles. N'utilisez pas le foyer là où de l'essence, de la peinture ou des liquides inflammables sont utilisés ou entreposés. Ce foyer et ses environs ne doivent pas servir de support de séchage pour les vêtements ni à accrocher des bas de Noël ou des décorations.
15. Utilisez cet appareil comme décrit dans ce manuel seulement. Toute autre utilisation non recommandée par le fabricant pourrait causer un incendie, une décharge électrique ou une blessure.
16. L'utilisation d'une rallonge n'est pas recommandée en raison des risques d'incendie. Si vous utilisez l'extension rallonge électrique devra être no 14 AWG au minimum, avec une capacité d'au moins 1875 watts,

et la rallonge devrait comporter trois fils, avec fiche et connecteur de mise à la terre. La rallonge ne doit pas avoir plus de 20 pi (6 m) de long.

17. N'utilisez pas cet appareil avec une minuterie programmable ou tout autre appareil qui allume ou éteint l'appareil automatiquement. Afin d'éviter un risque causé par la réinitialisation accidentelle de l'interrupteur thermique, cet appareil ne doit pas être alimenté par l'entremise d'un appareil interrupteur externe, comme une minuterie, ou être branché sur un circuit étant régulièrement allumé et éteint par un appareil.
18. Cet article contient une pile bouton. De graves blessures ou la mort pourraient suivre dans les deux heures suivant l'ingestion. Demander l'aide de professionnels de la santé sur le champ.



MISE EN GARDE: Utiliser seulement sur le support fourni ou monté au mur.



AVERTISSEMENT: Ce poêle est chaud lorsqu'il est utilisé. Afin d'éviter les brûlures, ne touchez pas aux surfaces chaudes. Si le poêle est muni de poignées, servez-vous des poignées pour le déplacer. Assurez-vous que les matières combustibles, telles que les meubles, les oreillers, la literie, le papier, les vêtements et les rideaux, se trouvent au moins à 0,9m du devant, côtés et arrière du radiateur.



MISE EN GARDE: Lors de l'utilisation d'appareils électriques, des précautions fondamentales doivent toujours être observées pour réduire le risque d'incendie, de choc électrique et de blessure aux personnes, y compris qui suivent :



MISE EN GARDE: Afin de prévenir les risques d'incendie, ne bloquez jamais les prises d'entrée ou de sortie d'air de quelque façon que ce soit. Ne placez pas l'appareil sur une surface molle comme un lit, car les ouvertures pourraient se bloquer.



MISE EN GARDE: N'insérez jamais un objet, quel qu'il soit, dans les ouvertures de ventilation ou de sortie d'air du foyer afin de prévenir les dommages ainsi que les risques de choc électrique et d'incendie.



MISE EN GARDE: Assurez une surveillance étroite quand le foyer est utilisé par ou près des enfants ou des personnes invalides et lorsque vous le laissez en marche sans surveillance.



IMPORTANT: CONSERVER CES INSTRUCTIONS.

Garantie Limitée D'un An

CE QUI EST COUVERT

Le fabricant garantit que votre nouveau foyer électrique est exempt de défauts de matériau et de fabrication pour une période d'un an à compter de la date d'achat, sous réserve des conditions et limitations suivantes.

Ce foyer électrique doit être installé et fonctionner en tout temps conformément aux instructions fournies avec le produit. Toute altération, abus volontaire, accident ou mauvais usage du produit annulera cette garantie. Cette garantie n'est pas transférable et est faite au propriétaire d'origine, à condition que l'achat a été effectué par l'intermédiaire d'un fournisseur agréé du fabricant. Cette garantie est limitée à la réparation ou au remplacement de la pièce qui comporte un défaut de matériel ou de fabrication, à condition que cette pièce ait été soumise à des conditions normales d'utilisation et de service, après que ledit défaut soit confirmé par l'inspection du fabricant. Le fabricant peut, à sa discrétion, assumer pleinement toutes ses obligations à l'égard de cette garantie en remboursant le prix de gros de la pièce défectueuse.

CE QUI N'EST PAS COUVERT

Tous frais d'installation, de main-d'œuvre, de fabrication, de transport ou tous frais ou dépenses connexes occasionnés par des pièces défectueuses, leur réparation, leur remplacement ou toute autre action de nature similaire, ne sont pas couverts par cette garantie, et le fabricant ne peut en aucun cas en être tenu responsable. En outre, le fabricant ne pourra être tenu responsable de tous dommages immatériels ou indirects, sauf dans les cas prévus par la loi.

Toutes les autres garanties - expresses ou implicites - en ce qui a trait au produit, ses composants et accessoires, ou toutes les obligations ou responsabilités de la part du fabricant sont expressément exclues. Le fabricant n'assume, ni n'autorise aucun tiers à assumer en son nom toute autre passif à l'égard de la vente de ce produit. Les garanties décrites dans le présent document ne s'appliquent pas aux accessoires, autres que ceux du fabricant, utilisés en conjonction avec l'installation de ce produit.

Cette garantie ne couvre pas les ampoules incluses avec le foyer.

Cette garantie est nulle si : le foyer a été utilisé dans une atmosphère contaminée par du chlore, du fluor, ou autres produits chimiques nuisibles; le foyer est soumis à des périodes prolongées d'humidité ou de condensation; le foyer est modifié, sciemment abusé, endommagé par accident, utilisation abusive de quelque façon.

Assurez-vous d'avoir votre garantie, votre reçu de vente et le modèle/numéro de série de votre produit.

Nos produits comprennent des garanties qui ne peuvent être exclues par la loi australienne de la consommation (Australian Consumer Law). Vous avez droit à un remplacement ou un remboursement en cas de panne majeure et à une indemnisation pour toute autre perte ou dommage prévisible. Vous avez aussi le droit de faire réparer ou remplacer les produits s'ils ne sont pas d'une qualité acceptable et si le défaut n'est pas majeur.

NE PAS TENTER DE FAIRE TOUT TRAVAIL D'ENTRETIEN VOUS-MÊME. COMMUNIQUEZ AVEC LE SERVICE À LA CLIENTÈLE AU NUMÉRO SANS FRAIS SUIVANT :



1-877-447-4768 Du lundi au vendredi, de 8:00 à 4:30 h (HNC)

Site web : www.ghpgroupinc.com



Courriel : customerservice@ghpgroupinc.com

Au Canada : 271 Massey Road, Guelph, Ontario, Canada, N1K 1B2

Aux États-Unis : 6440 W. Howard Street, Niles, Illinois U.S.A. 60714



Préinstallation

PLANIFIER L'INSTALLATION

Avant de commencer, ayez sous la main les directives d'installation et les articles de quincaillerie. Sortez toutes les pièces et comparez-les par rapport aux schémas ci-dessous. Assurez vous d'avoir toutes les pièces et de pouvoir les identifier. L'Assemblage de ce produit nécessite deux personnes. Il vous faudra environ 5-20 minutes pour faire l'assemblage.

Avant de commencer l'assemblage, utilisez des ciseaux pour déballer les pièces de leur emballage. **N'UTILISEZ PAS** un couteau pour les boîtes ou un exacto pour ne pas couper le manteau à l'intérieur de la boîte et pour ne pas endommager la finition. Vérifiez le sac rouge contenant les articles de quincaillerie; ce sac se trouve à l'intérieur de l'emballage; le sac est fixé à l'aide de ruban adhésif sur la boîte supérieure. Assurez-vous que vous ne jetez aucune pièce.



ATTENTION : Cette boîte contient un panneau de VERRE! Soyez toujours extrêmement prudent quand vous manipulez du verre. Un manque de prudence pourrait causer une blessure ou des dommages à la propriété.

SPÉCIFICATIONS

Modèle	310-48C-10
Dimensions de fixation murale L x P x H	121 cm x 12.3 cm x 44 cm (48 po x 4.8 po x 17.3 po)
Dimensions de support Montées L x P x H	121 cm x 21.6 cm x 54.6 cm (48 po x 8.7 po x 21.5 po)
Poids Net / Poids Gross	20.2 kg (44.5 lb) / 24.5 kg (54 lb)
Tension	120V
Fréquence	60 Hz
Puissance nominale du dispositif de chauffage	1400 W / 11.7 A

RACCORDEMENT ÉLECTRIQUE



MISE EN GARDE: Le câblage électrique doit être conforme aux codes du bâtiment locaux et à la réglementation en vigueur afin de prévenir les risques d'incendie, les chocs électriques et les blessures.

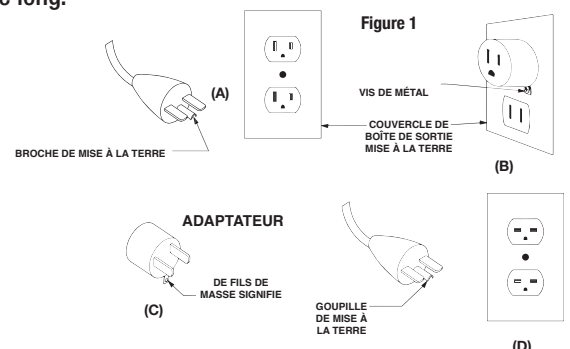


MISE EN GARDE: Ne pas utiliser le manteau de foyer si une partie de l'appareil a été immergée dans l'eau. Dans ce cas, communiquer immédiatement avec un technicien qualifié pour faire vérifier le manteau de foyer et pour faire remplacer les pièces du système électrique qui ont été immergées.

Un circuit de 120 volts, 15 ampères, 60 Hz pourvu d'une fiche mise à la terre est nécessaire pour le fonctionnement de cet appareil. De préférence, le manteau de foyer doit être un circuit indépendant et dédié, car les autres appareils sur un même circuit risqueraient de déclencher le disjoncteur lors du fonctionnement de l'appareil de chauffage. L'unité propose de série un cordon d'alimentation de 6 pi (1,8 m) raccordé derrière le manteau de foyer. Planifier une installation qui ne nécessite pas l'utilisation d'une rallonge. Si une rallonge doit être utilisée, le câble doit être de calibre No. 14 AWG à 3 fils et être pourvu d'une fiche avec mise à la terre, en plus d'afficher une capacité nominale d'au moins 1875 watts. La rallonge ne doit pas avoir plus de 20 pi (6 m) de long.

INSTRUCTIONS DE MISE À LA TERRE

Ce foyer est pour une utilisation sur 120 volts. Le cordon d'alimentation comporte une fiche, comme illustré en (A) de la Figure 1. Un adaptateur, comme illustré en (C) est disponible pour raccorder des fiche à trois-lame de type mise à la terre à des réceptacles à deux fentes. Le crampon vert de mise à la terre s'étendant de l'adaptateur doit être raccordée à la masse en permanence comme une prise correctement mise à la terre. L'adaptateur ne doit pas être utilisé si une réceptacle mise à la terre de trois fentes est disponible.



REMARQUE : Les adaptateurs ne doivent PAS être utilisés au Canada.

Télécommande

Ce dispositif est conforme aux règles de la FCC Partie 15. Son fonctionnement est soumis aux deux conditions suivantes:

(1) Ce dispositif ne peut pas provoquer d'interférences nuisibles, et (2) cet appareil doit accepter toute interférence reçue, y compris les interférences qui peuvent provoquer un fonctionnement indésirable. Il n'existe aucune garantie contre des interférences se produisant dans le cadre d'une installation particulière. Si l'équipement engendre des interférences nuisant à la réception radio ou télévisuelle (ce qui peut être déterminé en le mettant hors tension, puis en le remettant sous tension), vous êtes encouragé à tenter d'y remédier en ayant recours à l'une des mesures suivantes:

- Réorienter ou déplacer l'antenne réceptrice.
- Augmenter la séparation entre l'équipement et le récepteur.
- Brancher l'équipement à une prise sur un circuit différent de celui sur lequel le récepteur est branché.
- Consulter le revendeur ou un technicien radio/TV expérimenté pour obtenir de l'aide.

La télécommande nécessite 1 pile au lithium (type CR2025), qui est incluse.

Avertissement: Les modifications apportées à cet équipement qui ne sont pas expressément approuvées par l'entité responsable de la conformité pourraient annuler l'autorisation de l'utilisateur à utiliser l'équipement.

AVERTISSEMENT:

NE PAS mélanger une pile neuve avec une pile usagée.

NE PAS utiliser de pile rechargeable à oxyde d'argent avec la télécommande.

NE PAS mélanger les piles alcalines, standard (Carbone-Zinc), ou les piles rechargeables (nickel-cadmium).

NE PAS jeter les piles au feu. La mise au rebut inappropriée des piles pourrait entraîner une fuite ou une explosion.

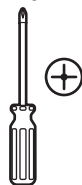


Préinstallation (continu)

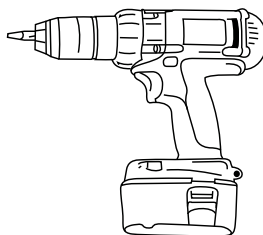
OUTILS NÉCESSAIRES (NON INCLUS)



Lunettes de sécurité



Tournevis Phillips



Perceuse

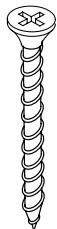
MATÉRIEL INCLUS



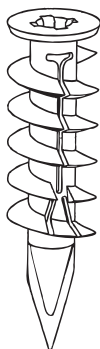
REMARQUE: Les outils sont montrés dans leur taille réelle.



AA



BB

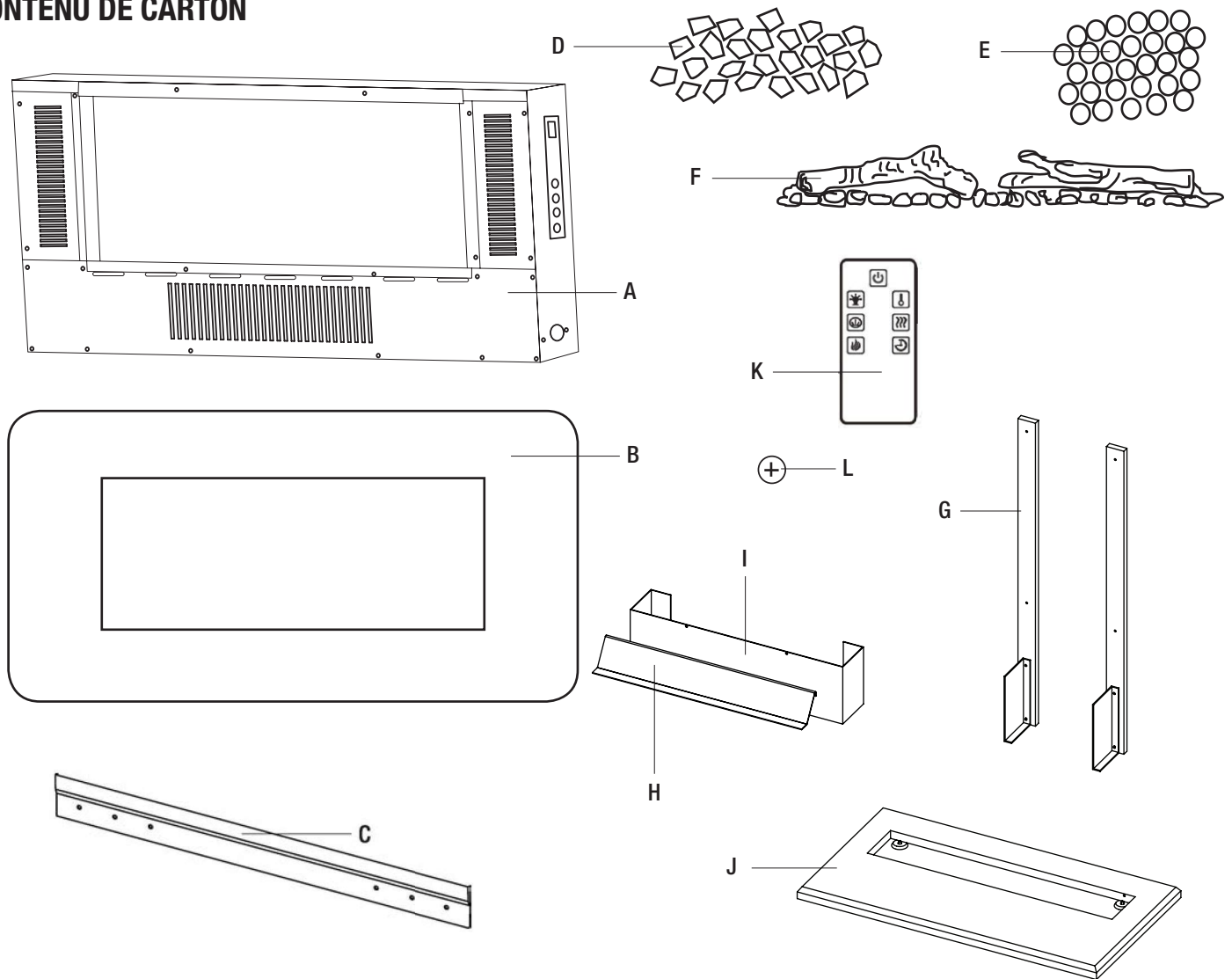


CC

Part	Description	Quantity
AA	Petite vis	12
BB	Grande vis	2
CC	Ancre	2

Préinstallation (continu)

CONTENU DE CARTON



Parte	Description	Quantité
A	Boîte à combustion électrique	1
B	Vitre avant	1
C	Support de montage (fixé à la boîte à combustion A)	1
D	Cristal acrylique	1
E	Cailloux	1
F	Ensemble de bûches	1
G	Supports pour installation sur table	2

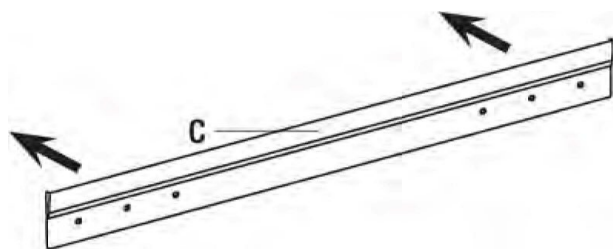
Parte	Description	Quantité
H	Défecteur	1
I	Avant	1
J	Base pour installation sur table	1
K	Télécommande	1
L	Batterie (préinstaller)	1

Remarque : Les deux meilleurs supports de table sont identiques.

Installation - Montage mural

1 Positionner le support de montage

- Choisissez un mur solide. Positionnez le support de montage (C) à l'endroit où le foyer (A) sera installé sur le mur, et assurez-vous que le support de montage (C) est droit.
- Utilisez un crayon pour marquer les 2 trous de montage sur le mur à l'emplacement de montage désiré, en utilisant le support de montage (C) comme guide.



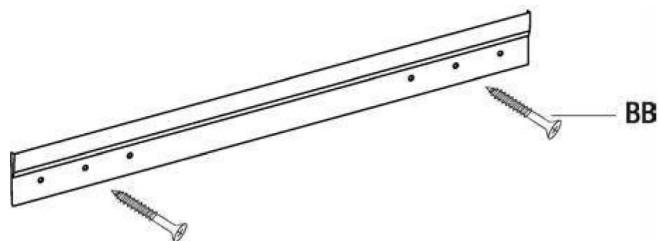
2 Fixer le support de montage

- Insérez les 2 ancrages muraux autoperceurs (CC) dans le mur aux endroits marqués. Si vous installez le support de montage (C) sur un mur à montants, vous n'avez pas à percer les trous dans le bois et vous n'avez pas à utiliser les ancrages muraux de plastique (CC). Il est recommandé d'installer le support de montage à au moins un montant.



3 Fixer le support de montage

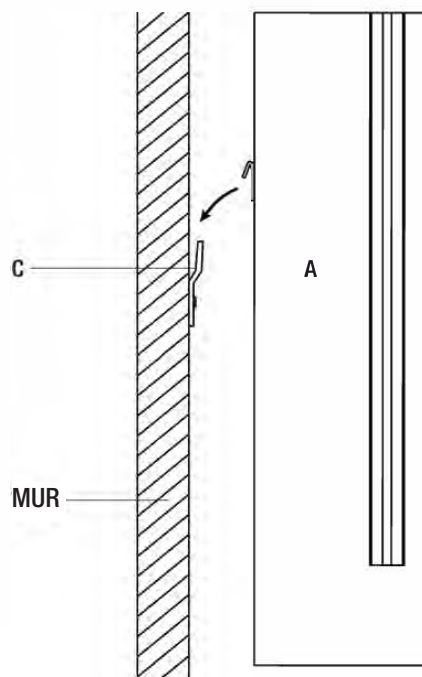
- Fixez le support de montage (C) au mur à l'aide de quatre grandes vis (BB).



Installation - Montage mural (continu)

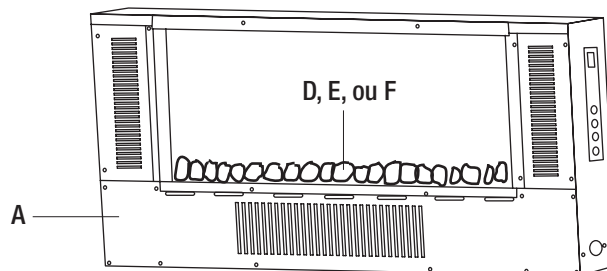
4 Hanging the electric firebox

- Accrocher la boîte à combustion électrique (A) au support de fixation (C).



5 Insérer le lit de braises

- Arrangez les lits de braises (cristaux acryliques [D], cailloux [E] ou bûches [F]) le long du bord de la fenêtre à l'avant du foyer (A).

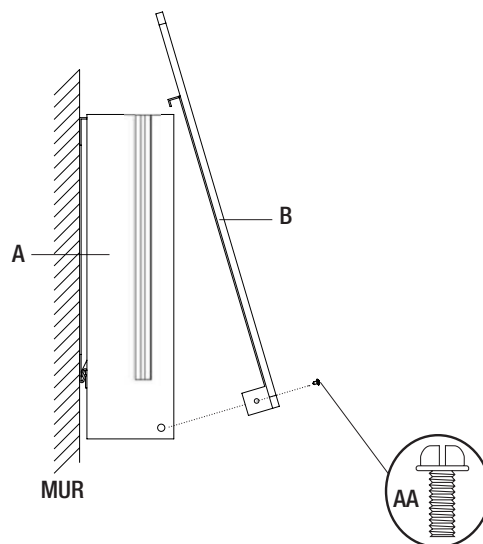


6 Installer la vitre avant

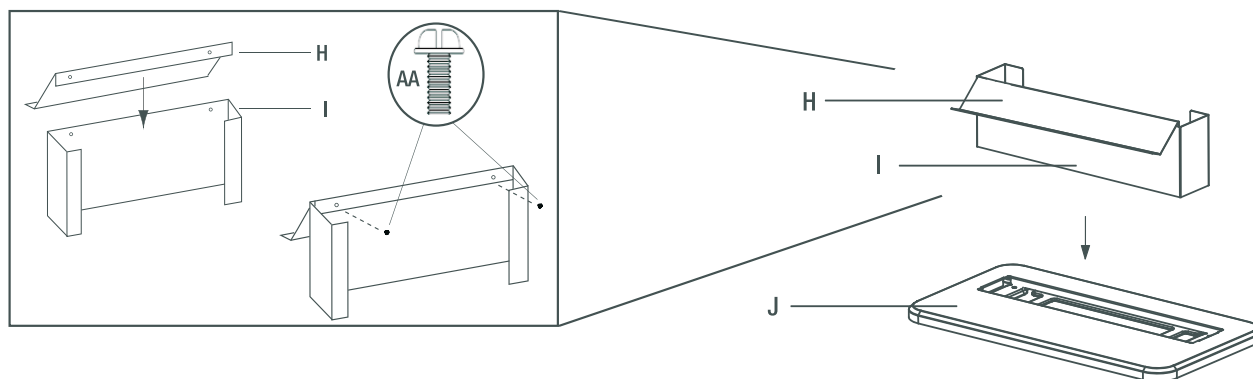


REMARQUE : Cette vitre est lourde. Il est recommandé d'avoir 2 personnes pour cette étape pour éviter d'endommager la vitre avant ou le foyer.

- Soulevez la vitre avant (B), en vous assurant que les 2 languettes sur le côté arrière supérieur de la vitre avant (B) sont solidement placées dans les trous sur le dessus du foyer (A).
- Fixez la vitre avant (B) en vissant deux petites vis (AA) sur chaque côté.

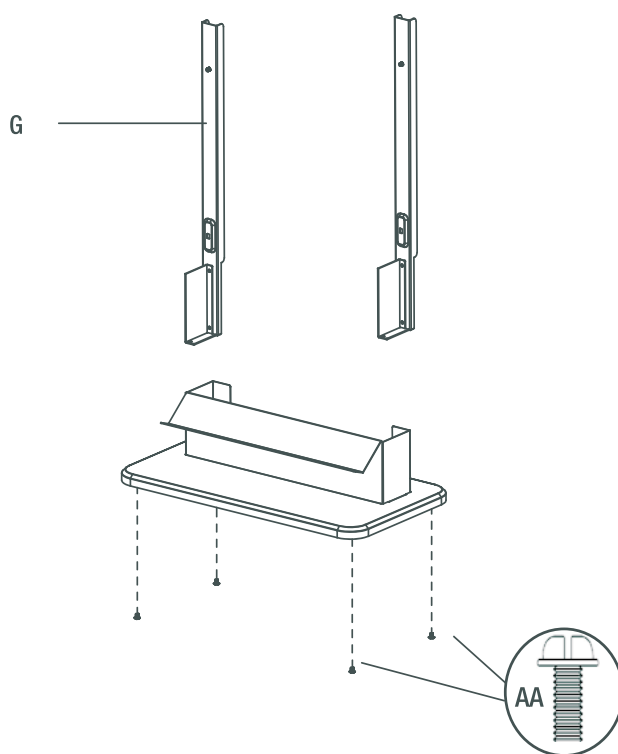


Installation - Sur table



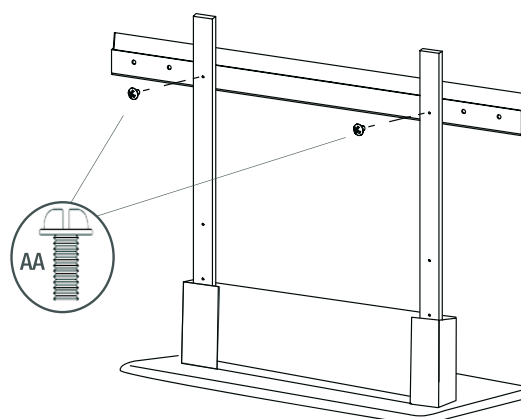
1 Assembler le support de table

- Monter le dessus de support (G) à la base de table (J) à l'aide de 2 petites vis (AA).
- Montez le déflecteur (H) à l'avant (I) à l'aide de 4 petits vis (AA). Glissez l'ensemble avant sur le dessus de table (G) et sur l'ensemble de la base.



2 Fixer le support de montage

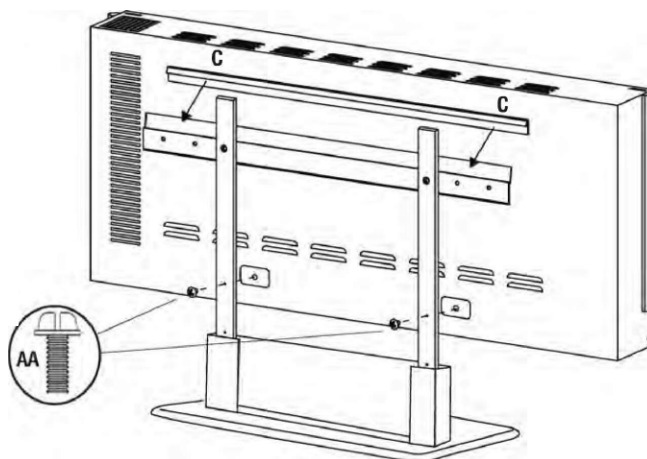
- Utilisez un tournevis pour fixer le support de montage (C) au pied d'installation sur table à l'aide de 2 petites vis (AA).



Installation - Sur table (continu)

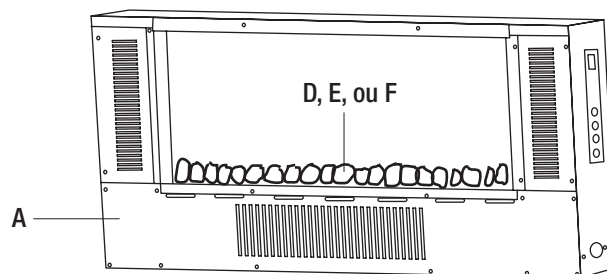
3 Fixer le foyer

- À l'aide d'un tournevis, fixez le foyer (A) sur le dessus du support de montage (C) avec 2 petites vis (AA).



4 Insérer le lit de braises

- Arrangez les lits de braises (cristaux acryliques [D], cailloux [E] ou bûches [F]) le long du bord de la fenêtre à l'avant du foyer (A).

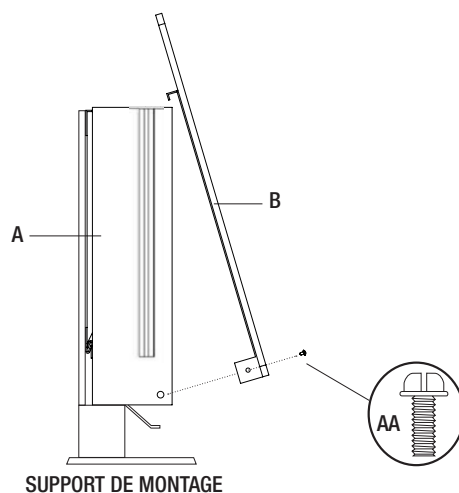


5 Installer la vitre avant



REMARQUE : Cette vitre est lourde. Il est recommandé d'avoir 2 personnes pour cette étape pour éviter d'endommager la vitre avant ou le foyer.

- Soulevez la vitre avant (B), en vous assurant que les 2 languettes sur le côté arrière supérieur de la vitre avant (B) sont solidement placées dans les trous sur le dessus du foyer (A).
- Fixez la vitre avant (B) en vissant deux petites vis (AA) sur chaque côté.

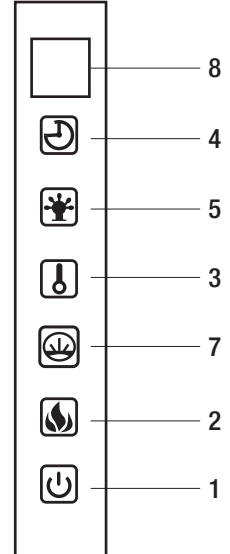
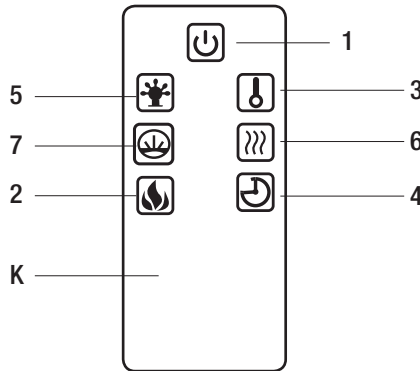


Utilisation

UTILISER LES COMMANDES MANUELLES ET À DISTANCE

Sur la plaque supérieure droite du foyer électrique (A) se trouve le panneau de commande. Ce panneau contient les boutons pour utiliser correctement le foyer électrique. Les boutons du panneau de commande situé sur le côté du foyer électrique (A) et les boutons de la télécommande (K) fonctionnent de la même façon. La télécommande fonctionne jusqu'à une distance de 3.9 m / 13 pi.

1. Bouton d'alimentation
2. Bouton de contrôle des flammes
3. Bouton de contrôle du thermostat
4. Bouton de contrôle de l'éclairage latéral
5. Bouton de contrôle de la minuterie
6. Panneau d'affichage numérique
7. Bouton de commande pour lit de braises
8. Panneau d'affichage numérique



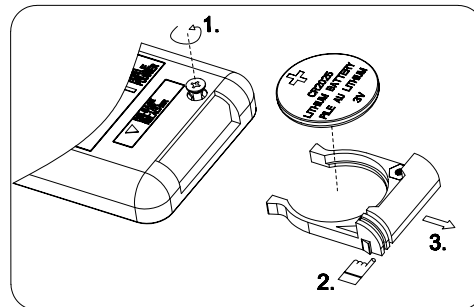
UTILISER LE BOUTON D'ALIMENTATION



- Le bouton d'alimentation principal (1) est situé sur le panneau de commande sur le côté du foyer électrique.
- Appuyer une fois sur le bouton d'alimentation (1) allume l'appareil.
- Appuyer de nouveau sur le bouton d'alimentation (1) éteint l'appareil.
- Si aucun autre bouton ne semble fonctionner, assurez-vous que le bouton d'alimentation principal (1) est activé.

REMPACEMENT DE PILE

Pile de bouton 3 volts au lithium type CR 2025



Cet article contient une pile bouton. De graves blessures ou la mort pourraient suivre dans les deux heures suivant l'ingestion. Demander l'aide de professionnels de la santé sur le champ. Se il vous plaît jetez pas la pile utilisée par la loi municipal ou provincial / état.

UTILISER LE BOUTON DE CONTRÔLE DES FLAMMES



- Appuyez sur le bouton de contrôle de flamme (2) pour allumer le lit de braises et l'effet flammes.
- Appuyer une fois sur le bouton de contrôle de flamme (2) allume les flammes et illumine le lit de braises.
- Appuyer de nouveau sur le bouton de contrôle de flamme (2) fera passer le lit de braises d'une couleur à l'autre. Le mode de rotation des couleurs alternera continuellement entre les différents réglages de couleur. Consultez le tableau pour plus de détails.

Pression sur le bouton	Valeur affiché	Couleur du lit de braises
1 ^{ère} pression	1	Orange
2 ^e pression	2	Vert
3 ^e pression	3	Bleu
4 ^e pression	4	Orange et Vert
5 ^e pression	5	Orange et Bleu
6 ^e pression	6	Orange et Vert et Bleu
7 ^e pression	7	Rotation des couleurs

Utilisation (continu)

UTILISER LA TOUCHE DE COMMANDE DU THERMOSTAT



- Appuyez une fois sur le bouton de chauffage (3) pour allumer le ventilateur de la chaufferette.
- Appuyez et maintenez enfoncé le bouton de chauffage pendant 5 secondes pour passer en mode température. Après 5 secondes, appuyez sur le bouton de chauffage pour faire défiler les différents réglages de chaleur. Continuez à appuyer sur le bouton de chauffage pour faire défiler les autres réglages de chaleur.
- Une fois que la température ambiante désirée est atteinte, le ventilateur sera désactivé
- Consultez le tableau pour avoir plus d'informations.
- Pour afficher le réglage de la température en degrés Fahrenheit ou Celsius, appuyez sur la touche de chaleur (3) du panneau de configuration une fois, puis maintenez le bouton d'alimentation (1) du panneau de configuration enfoncé pendant 5 secondes. Un bip se fera entendre et l'écran passera de Fahrenheit à Celsius ou inversement.

Pression sur le bouton	Réglage de la température (°C)
1	17°C
2	18°C
3	19°C
4	20°C
5	21°C
6	22°C
7	23°C
8	24°C
9	25°C
10	26°C
11	27°C
12	ON

Pression sur le bouton	Réglage de la température (°F)
1	62°F
2	63°F
3	64°F
4	65°F
5	66°F
6	67°F
7	68°F
8	69°F
9	70°F
10	71°F
11	72°F
12	73°F
13	74°F
14	75°F
15	76°F
16	77°F
17	78°F
18	79°F
19	80°F
20	81°F
21	82°F
22	ON

UTILISER LA TOUCHE DE COMMANDE DE LA MINUTERIE



- Appuyez sur le bouton de commande de minuterie (4) pour paramétrer la minuterie. Cette période s'affichera sur l'écran (8) du panneau de configuration sur le côté foyer électrique. Les intervalles définis sont énumérés dans le tableau.

Pression sur le bouton	Intervalle de la minuterie	Valeur affiché
1 ^{ère} pression	30 min.	30
2 ^e pression	1 heure	1H
3 ^e pression	2 heures	2H
4 ^e pression	3 heures	3H
5 ^e pression	4 heures	4H
6 ^e pression	5 heures	5H
7 ^e pression	6 heures	6H



REMARQUE : Si ce produit est soumis à des températures exceptionnellement élevées, il pourrait cesser de chauffer automatiquement. Dans ce cas, le produit devrait être débranché ou isolé de l'alimentation principale durant 30 secondes avant de l'alimenter de nouveau.

Utilisation (continu)

AJUSTER L'ÉCLAIRAGE AMBIANT LATÉRAL



- Appuyez sur le bouton de contrôle de l'éclairage latéral (5) pour allumer l'éclairage ambiant.
- Pour changer la couleur de l'éclairage, appuyez de nouveau sur le bouton de contrôle de l'éclairage latéral (5). Vous pouvez contrôler la couleur de l'éclairage latéral comme décrit dans le tableau. Le mode de rotation des couleurs alternera continuellement entre les différents réglages de couleur.

Pression sur le bouton	Couleur de la lumière latérale	Afficher
1 ^{ère} pression	Bleu	—
2 ^e pression	Rouge	==
3 ^e pression	Rotation des couleurs	===
4 ^e pression	Éteindre	

VERROUILLAGE DU CHAUFFAGE



- Pour désactiver le mode chauffage, appuyez et maintenez le bouton de flamme enfoncé pendant 5 secondes pour passer en mode verrouillage de chaleur. Les lumières de flamme clignoteront 5 fois pour signaler que la fonction de chauffage est éteinte et verrouillée. Pour activer le mode chauffage, appuyez et maintenez le bouton de chaleur enfoncé pendant 5 secondes. Les lumières de flamme clignoteront 5 fois et la fonction de chaleur sera restaurée. Lorsqu'on appuie sur le bouton de chauffage en mode verrouillé, le lit de braises clignotera 5 fois jusqu'à ce que le mode chauffage soit allumé.

UTILISER LE BOUTON DE COMMANDE DU LIT DE BRAISES/BÛCHES



- Appuyez une fois sur le bouton de commande de lit de braises (7) pour activer le lit de braises. Continuez à appuyer sur le bouton de commande du lit de braises (7) pour faire défiler les différentes couleurs de braises. Consultez le tableau pour avoir plus d'informations.

Pression sur le bouton	1	2	3	4	5	6	7
Bouton de commande du lit de braises/bûches	Orange	Vert	Bleu	Rouge	Rouge/Bleu (mélanger au violet)	Rouge/Vert/Bleu (mélanger au blanc)	Rotation des couleurs
Afficher	1	2	3	4	5	6	7

Entretien et nettoyage



IMPORTANT: Débranchez toujours le fil de courant avant de nettoyer l'appareil. Laissez l'appareil refroidir avant de le nettoyer.

- Essayez occasionnellement la surface extérieure de la boîte à combustion électrique avec un linge doux et humide (sans être détrempe), et séchez la surface extérieure avant d'utiliser l'appareil.
- N'immergez pas le foyer électrique dans l'eau.
- N'utilisez pas de nettoyeurs chimiques comme des produits détergents ou abrasifs.
- Évitez de mouiller l'intérieur, car ceci pourrait créer un risque.
- Une légère accumulation de poussière peut être enlevée du foyer électrique à l'aide d'un linge doux et sec.
- Pour entreposer le foyer électrique, remplacez-le dans son emballage original et entreposez-le dans un endroit propre et sec.
- Le ventilateur et le moteur des flammes sont prélubrifiés pour une utilisation durable et ils ne nécessitent pas de lubrification ou d'entretien supplémentaire. Des particules de poussière s'accumuleront sur et dans le foyer électrique. Un nettoyage/nettoyage à l'aspirateur est donc recommandé périodiquement.
- Toujours mettre le chauffage à ARRÊT et débrancher le cordon d'alimentation de la prise secteur avant de le nettoyer.
- Le nettoyage du panneau de commande, situé dans le coin supérieur droit du foyer derrière le couvercle coulissant du panneau de commande, doit uniquement être effectué avec un chiffon doux légèrement imbibé d'eau (si nécessaire, une petite quantité de savon de vaisselle peut être ajoutée à l'eau) et séché en utilisant un chiffon propre, sec et doux. Le nettoyage de l'écran de diffusion doit être uniquement effectué avec de l'eau et un chiffon non pelucheux. NE PAS utiliser d'abrasifs sur les commandes et l'écran de diffusion.



ATTENTION : Ne pas mélanger piles neuves et usagées.

N'utilisez pas à la fois des piles alcalines, normales (carbone-zinc), ou rechargeables (ni-cad, ni-mh, etc.).

ÉLIMINATION DES PILES USAGÉES



Les piles peuvent contenir des substances dangereuses potentiellement nuisibles à l'environnement et la santé humaine. Ce symbole figurant sur la pile ou l'emballage indique que les piles usagées ne sont pas traitées comme déchets municipaux. Les piles doivent être jetées à un point de collecte adapté au recyclage. En prenant soin d'éliminer correctement les piles usagées, vous aiderez à la prévention de potentielles conséquences nuisibles à l'environnement et à la santé humaine. Le recyclage de matériaux permet de créer des ressources naturelles. Pour plus d'infos sur le recyclage des piles usagées, veuillez contacter votre service régional d'élimination des déchets municipaux.

Entretien (continu)

DANGER



Débrancher l'alimentation électrique avant d'effectuer les travaux d'entretien.

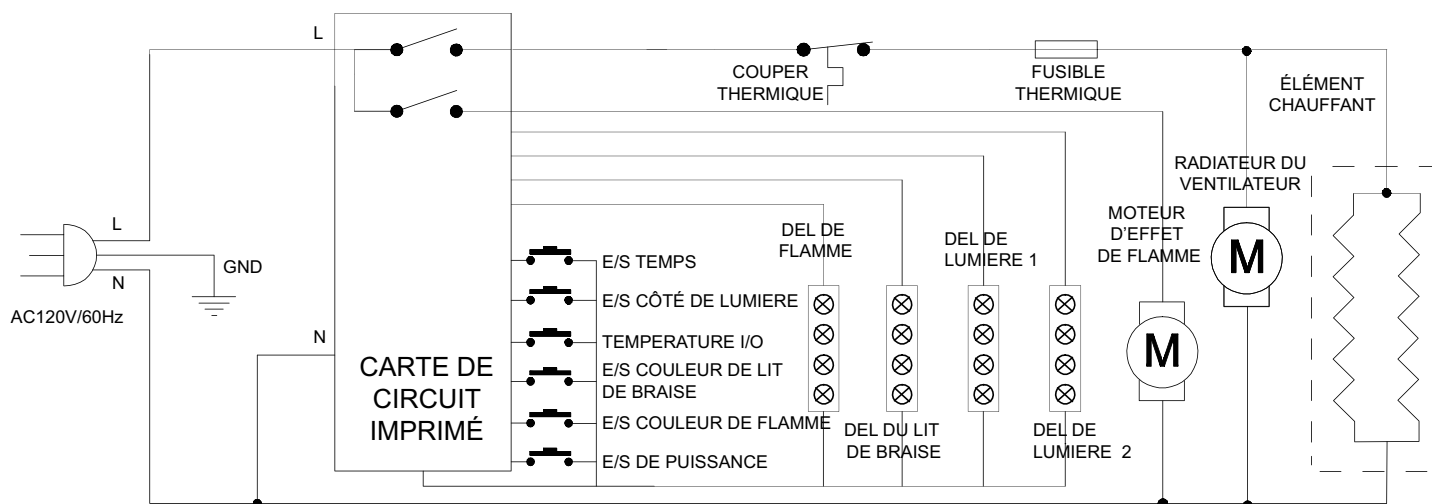



Tout recâblage de cet appareil doit être effectué par un électricien agréé. Veillez à ce que le câblage soit effectué conformément aux codes locaux ou, au Canada, à la plus récente version du Code canadien de l'électricité, CSA C22.1 ou, dans le cas des installations aux É.-U., au code national de l'électricité, ANSI/NFPA N° 70.



En cas de réparation ou de remplacement d'un composant ou d'un câble électrique, respectez l'acheminement des câbles, les codes de couleur et les emplacements de fixation d'origine.

SCHÉMA ÉLECTRIQUE



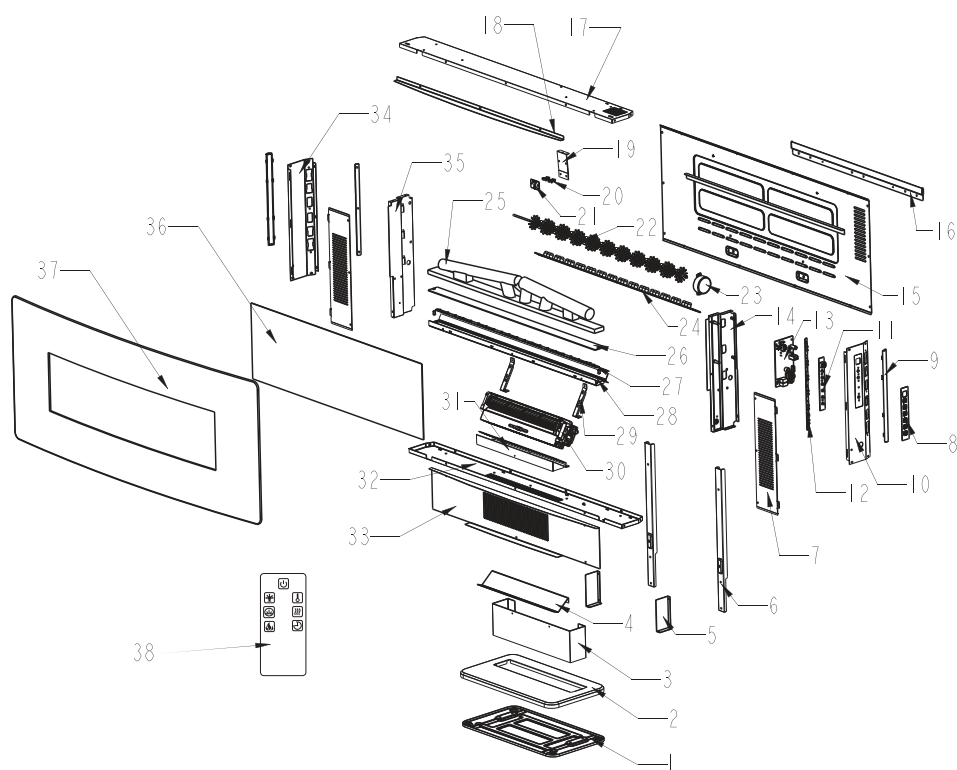
 **AVERTISSEMENT:** Débrancher l'alimentation électrique avant d'effectuer les travaux d'entretien.

AVERTISSEMENT

Ce produit peut vous exposer à des agents chimiques, dont le phtalate de diisononyle (DINP), reconnu par l'État de Californie comme pouvant causer le cancer, ainsi que les phtalates diisodécyle (DIDP) reconnus par l'État de Californie comme pouvant causer des anomalies congénitales et autres dommages au système reproducteur.

Pour plus de renseignements, visitez le www.p65Warnings.ca.gov

Pièces de rechange



Réf.	Description	No. de pièce
1	panneau inférieur 2	SF31042001
2	panneau avant	SF31042002
3	panneau inférieur 1	SF31042003
4	support de ventilation	SF31042004
5	raidisseur 2	SF31042005
6	raidisseur 1	SF31042006
7	plaque de recouvrement gauche et droite	SF31042007
8	autocollant pour touche	SF31042008
9	couvercle pour lumière ambiante	SF31042009
10	plaque de soudure droite	SF31042010
11	touche de carte de circuit imprimé	SF31042011
12	lumière latérale pour carte de circuit imprimé	SF31042012
13	carte de circuit imprimé principale	SF31042013
14	plaque droite centrale	SF31042014
15	plaque arrière	SF31048020
16	plaque inférieure d'accrochage	SF31042016
17	plaque supérieure	SF31048013
18	couvercle de lumière	SF31048041
19	plaque pour télécommande	SF31042019

Réf.	Description	No. de pièce
20	entretoise	SF31042020
21	récepteur	SF31042021
22	récepteur de carte de circuit imprimé	SF31048021
23	moteur SYS	SF31042023
24	amme de carte de circuit imprimé	SF31048004
25	bûches	SF31048007
26	plaque PP 2	SF31048040
27	lumière de carte de circuit imprimé	SF31048001
28	support pour amme de carte de circuit imprimé	SF31048048
29	Support de soufeuse	SF31042029
30	Soufeuse	SF31042030
31	panneau de ventilation	SF31042031
32	plaque inférieure	SF31048014
33	panneau avant	SF31048015
34	plaque de soudure gauche	SF31042034
35	plaque gauche centrale	SF31042035
36	plaque PP 1	SF31048023
37	d'acier brossé avant	SF31048016
38	télécommande	SF31042039

Tabla de Contenidos

Tabla de contenidos	32
Información de seguridad	32
Garantía	33
Pre-Instalación	34
Instalación - Fijación a pared	37

Instalación - Mueble	39
Operación	41
Cuidado y limpieza	44
Mantenimiento	45
Partes de servicio	46

Información de seguridad

Conserve para referencias futuras: Lea cuidadosamente antes de usar

1. Lea todas las instrucciones antes de usar este calefactor
2. Siempre desenchufe este electrodoméstico cuando no se encuentre en uso.
3. Advierta a los niños de que no jueguen con este calefactor.
4. No haga funcionar el calefactor con un cable o enchufe dañado luego de una falla, de que se haya caído o se haya dañado de algún modo. Lleve el calefactor a un servicio técnico autorizado para que lo revisen, le realicen un ajuste eléctrico o mecánico, o lo reparen.
5. Sólo el servicio técnico autorizado y capacitado deberá reparar este electrodoméstico.
6. Este electrodoméstico no deberá ser modificado bajo ninguna razón. Las partes que se quiten para su mantenimiento sólo podrán ser reemplazadas con partes "OEM" (que provenga de un fabricante de equipamiento original).
7. No se utilice al aire libre.
8. Este electrodoméstico no está diseñado para su uso en baños, lavaderos u otros lugares similares. Nunca coloque este electrodoméstico en donde pueda caer a una bañera u otro recipiente con agua.
9. No pase el cable de alimentación por debajo de alfombrado. No cubra el cable de alimentación con artículos tales como tapetes o alfombras de pasillo, entre otros. Mantenga el cable de alimentación lejos de áreas de circulación para asegurarse de que no estorbe.
10. Para desconectar el calefactor, ponga los controles en OFF y luego quite el enchufe de la toma de corriente.
11. Conecte sólo a tomas de corriente correctamente conectadas a tierra.
12. Este electrodoméstico, una vez instalado, debe de estar conectado a tierra conforme a los códigos locales, bajo los códigos actuales CSA C22.1 de Electricidad Canadiense, o, para instalaciones en E.U.A. siga los códigos locales y el Código Eléctrico Nacional, ANSI/NFPA no. 70.
13. Hay un termostato limitador dentro del calefactor. Cuando la temperatura interior se sobrecalienta o en el caso de un calentamiento anormal, el dispositivo protector del termostato cortará la alimentación para evitar el daño al calefactor y el riesgo de incendio.
14. Este electrodoméstico contiene partes calientes y arqueadas o chispeantes en su interior. No se utilice en áreas en donde se use o almacene gasolina, pintura o líquidos inflamables. Este electrodoméstico no debe ser utilizado como tendedero para la ropa, ni tampoco debe de haber medias de Navidad o decoraciones colgadas sobre o cerca de él.
15. Utilice este aparato sólo tal y como se describe en este manual. Cualquier otro uso no recomendado por el fabricante podría resultar en un incendio, una descarga eléctrica o daños personales.

16. El uso de una extensión eléctrica no es recomendada por el riesgo de incendio. Si se utiliza una extensión debe ser mínimo del No.14 AW nominal no inferior a 1875 W, y el cable de extensión debe ser un cable de tres clavijas con conexión a tierra el enchufe y el conector de cable. El cable de extensión no debe ser superior a 6 metros de longitud.
17. No utilice este aparato con un temporizador programable o cualquier otro dispositivo que encienda y apague el aparato de forma automática. Para evitar el peligro debido al reajuste accidental del protector térmico, este aparato no debe ser suministrado mediante un interruptor externo como un temporizador, ni conectado a un circuito que sea regularmente apagado y encendido por un servicio público.
18. Este producto contiene una batería de botón. Si se ingiere, puede causar lesiones graves o la muerte en tan sólo 2 horas. Busque atención médica de inmediato.



PRECAUCIÓN: Utilizar sólo con el soporte proporcionado o montado en la pared.



ADVERTENCIA: Este calentador está caliente cuando se encuentra en uso. Para evitar quemaduras, no permita que la piel al descubierto toque las superficies calientes. Si se proporcionan, utilice manijas para mover este electrodoméstico. Mantenga materiales combustibles, tales como muebles, almohadas, sobrecamas, papeles, ropa y cortinas al menos a 0.9 metros de distancia de la parte frontal, los laterales y la parte trasera.



PRECAUCIÓN: Al usar electrodomésticos, siempre se deben de seguir precauciones básicas para reducir el riesgo de incendio, descargas eléctricas y lesiones a personas.



PRECAUCIÓN: Para evitar un posible incendio, no bloquee las entradas de aire de la chimenea o del escape de ninguna manera. No opere la chimenea sobre superficies blandas, como lo es una cama, en donde las aberturas puedan ser bloqueadas.



PRECAUCIÓN: No introduzca ni permita que objetos extraños entren en las aberturas de ventilación o de escape, ya que esto puede causar una descarga eléctrica o un incendio, o daños a la chimenea.



PRECAUCIÓN: Tenga mucho cuidado cuando cualquier chimenea esté siendo utilizada por o cerca de niños o minusválidos, y cuando el calentador se encuentre en funcionamiento sin ser supervisado.



IMPORTANTE: GUARDE ESTAS INSTRUCCIONES.

Garantía de 1 año

LO QUE ESTÁ CUBIERTO

El fabricante garantiza que su nueva chimenea eléctrica está libre de defectos de fabricación y materiales por un periodo de un año a partir de la fecha de compra, sujeto a las siguientes condiciones y limitaciones.

Esta chimenea eléctrica debe ser instalada y operada en todo momento de acuerdo con las instrucciones proporcionadas con el producto. Cualquier alteración, abuso intencionado, accidente o mal uso del producto anulará esta garantía. Esta garantía es intransferible y es hecha al propietario original, siempre que la compra fue hecha mediante un proveedor autorizado del fabricante. Esta garantía está limitada a la reparación o reemplazo de pieza(s) que se encuentren defectuosas en materiales o mano de obra, siempre que tal(es) pieza(s) hayan estado sujetas a condiciones normales de uso y servicio, luego de que dicho defecto sea confirmado por la inspección de fabricante. El fabricante puede, a su discreción, liberar de todas las obligaciones, con respecto a esta garantía mediante el reembolso del precio al por mayor de la(s) pieza(s) defectuosa(s).

LO QUE NO ESTÁ CUBIERTO

Cualquier instalación, trabajo, construcción, transporte u otros costos/gastos que surjan de pieza(s) defectuosa(s), reparación, reemplazo u otra cosa similar, no será cubierta por esta garantía y tampoco el fabricante asumirá responsabilidad por lo mismo. Además, el fabricante no será responsable de ningún daño incidental, indirecto o consecuente, excepto como lo establezca la ley.

Todas las otras garantías, expresas o implícitas, con respecto al producto, sus componentes y accesorios, o cualquier obligación/responsabilidad civil sobre la pieza del fabricante, por la presente se excluyen expresamente.

El fabricante tampoco asume, ni autoriza a ninguna tercera parte a asumir, en su nombre, cualquier otra responsabilidad civil con respecto a la venta de este producto. Las garantías como están descritas dentro de este documento, no aplican a accesorios que no son del fabricante usadas junto con la instalación de este producto.

Esta garantía no cubre la(s) bombilla(s) incluidas con la chimenea.

Esta garantía no tiene validez si: la chimenea ha sido operada en atmósferas contaminadas con cloro, flúor u otro químico dañino; la chimenea está sujeta a periodos prolongados de humedad o condensación; la chimenea es alterada, maltratada intencionalmente, dañada por accidente o usada incorrectamente en cualquier manera.

Asegúrese de tener su garantía, su recibo de venta y el número de modelo/serie de su producto.

Nuestros productos vienen con garantías que no pueden ser excluidas bajo la ley de consumo australiano (Australian Consumer Law). Usted tiene derecho a un reemplazo o reembolso debido a una falla mayor y a compensación por cualquier otro daño o pérdida razonablemente previsible. Usted también tiene derecho a que sus productos sean reparados o reemplazados si no son de una calidad aceptable y el defecto no es mayor.

NO INTENTE HACER TRABAJO DE SERVICIO USTED MISMO. COMUNÍQUESE A SERVICIO AL CLIENTE LLAMANDO A LA LINEA TELEFÓNICA GRATUITA:



1-877-447-4768 Lunes a Viernes de 8:00am a 4:30pm (hora estándar central)

Sitio web: www.ghpgroupinc.com



Correo electrónico: customerservice@ghpgroupinc.com

Canadá: 271 Massey Road, Guelph, Ontario, Canada, N1K 1B2

EE.UU: 6440 W. Howard Street, Niles, Illinois U.S.A. 60714



Pre-Instalación

PLAN DE INSTALACIÓN

Antes de comenzar con el ensamblado, localice las instrucciones y las partes. Compare todas las partes con la herramienta incluida y con las listas del contenido del empaque. Asegúrese de contar con todas las partes e identificarlas. Una mano amiga siempre es bienvenida. Si es posible, ensamble su calefactor con un asistente adulto. Algunas partes son pesadas y tendrán que ser sostenidas por un ayudante. El tiempo de ensamblado tomará aproximadamente de 5 minutos a 20 minutos.

Antes del ensamblado, utilice tijeras para desenvolver las partes del empaque. No utilice una navaja o cuchillo exacto, ya que puede cortar las partes del calefactor dentro de la caja y dañar el acabado. Busque la bolsa roja de herramientas situada en el interior del empaque, que se encuentra pegada a la parte superior de la caja. No deseche ninguna pieza. Utilice un desarmador apropiado para insertar y apretar todos los tornillos.



ADVERTENCIA: ¡Esta caja contiene un panel de vidrio! Tenga extremo cuidado siempre que esté manejando cristal. El no hacerlo podría resultar en daños personales o materiales.

ESPECIFICACIONES

Modelo no.	310-48C-10
Dimensiones del Montaje en pared an. x pr. x al.	121 cm x 12.3 cm x 44 cm (48 pulg x 4.8 pulg x 17.3 pulg)
Dimensiones como soporte de pie an. x pr. x al.	121 cm x 21.6 cm x 54.6 cm (48 pulg x 8.7 pulg x 21.5 pulg)
Peso neto / Peso bruto	20.2 kg (44.5 lb) / 24.5 kg (54 lb)
Voltaje	120V
Frecuencia	60 Hz
Capacidad nominal del calefactor	1400 W / 11.7 A

CONEXIÓN ELÉCTRICA



ADVERTENCIA: El cableado de la toma de corriente debe cumplir con los códigos locales de construcción y demás normativas aplicables para reducir el riesgo de incendio, descarga eléctrica y lesiones a personas.

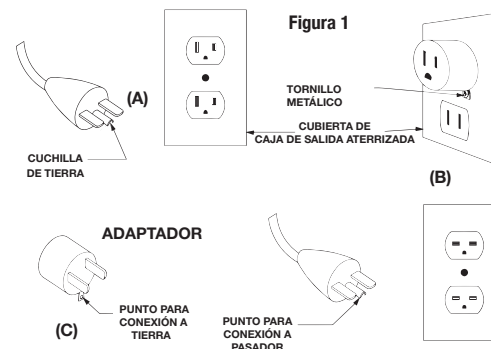


ADVERTENCIA: No utilice este calefactor si cualquier parte del mismo ha estado bajo el agua. Llame inmediatamente a un técnico calificado para que inspeccione el calefactor y reemplace cualquier parte del sistema eléctrico que haya estado bajo el agua.

Para el funcionamiento correcto de este aparato se necesita un circuito de 15 A, 120 V, 60 Hz con un tomacorriente debidamente conectado a tierra. Preferentemente, el inserto para el calefactor deberá contar con un circuito exclusivo, ya que otros aparatos en el mismo circuito pueden disparar o quemar al fusible cuando está funcionando el calefactor. La unidad viene de fábrica con un cable de tres conductores de 1,8 metros y que sale por detrás del inserto del calefactor. Planee la instalación para evitar el uso de un cable de extensión. Sin embargo, si usted tiene que usar un cable de extensión, el cable deberá ser de calibre 14 AWG cuando menos y para una potencia nominal de 1 875 W. El cable de extensión no deberá tener más de 6 metros de largo.

INSTRUCCIONES DE CONEXIÓN A TIERRA

Este calefactor es para uso con 120 voltios. El cable tiene un enchufe con se muestra en (A) en la Figura 1. Un adaptador como se muestra en (C) está disponible para conectar enchufes de tres cuchillas con conexión a tierra. La orejeta verde de conexión a tierra que se extiende del adaptador, debe ser conectada a una tierra permanente como una caja de salida aterrizada adecuadamente. El adaptador no debe ser usado si está disponible un receptáculo aterrizado de tres ranuras.



NOTA: Los adaptadores NO son para uso en Canadá.

Control remoto

Este dispositivo cumple con las reglas de la FCC parte 15. La operación está sujeta a las siguientes dos condiciones:

(1) Este dispositivo no puede causar interferencias perjudiciales, y (2) este dispositivo debe aceptar cualquier interferencia recibida, incluyendo interferencias que pueda causar funcionamiento no deseado. No existe garantía de que no ocurra interferencia en una instalación en particular. Si este equipo efectivamente causa interferencia dañina a la recepción de radio o televisión, lo cual puede determinarse apagando y encendiendo el equipo, se recomienda al usuario que trate de corregir la interferencia realizando uno o varios de los siguientes pasos:

- Cambie de dirección o de lugar la antena receptora.
- Aumente la separación entre el equipo y el receptor.
- Conecte el equipo en un tomacorriente en un circuito diferente de donde esté conectado el receptor.
- Consulte al concesionario o a un técnico de radio/TV con experiencia para que le ayude.

Este control remoto requiere 1 batería plana de litio (tamaño CR2025), la cual viene incluida.

Advertencia: Cambios o modificaciones a esta unidad que no estén expresamente aprobados por la parte responsable por conformidad pueden anular la autorización del usuario para operar el equipo.



ADVERTENCIA:

NO mezcle baterías viejas con nuevas.

NO use baterías recargables de óxido de plata con la unidad del control remoto.

NO mezcle baterías alcalinas, estándar (Carbón-Cinc) o recargables (Níquel-Cadmio).

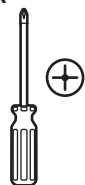
NO deseche las baterías en el fuego. La eliminación inadecuada puede hacer que las baterías goteen o exploten.

Pre-Instalación (continuación)

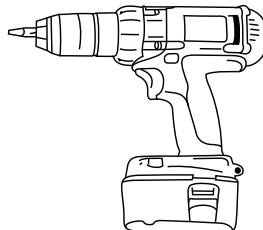
HERRAMIENTAS REQUERIDAS (NO INCLUIDOS)



Gafas de seguridad



Desarmador Phillips



Taladro

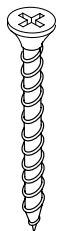
HERRAMIENTAS INCLUIDAS



NOTA: Las herramientas son mostradas en su tamaño real.



AA



BB

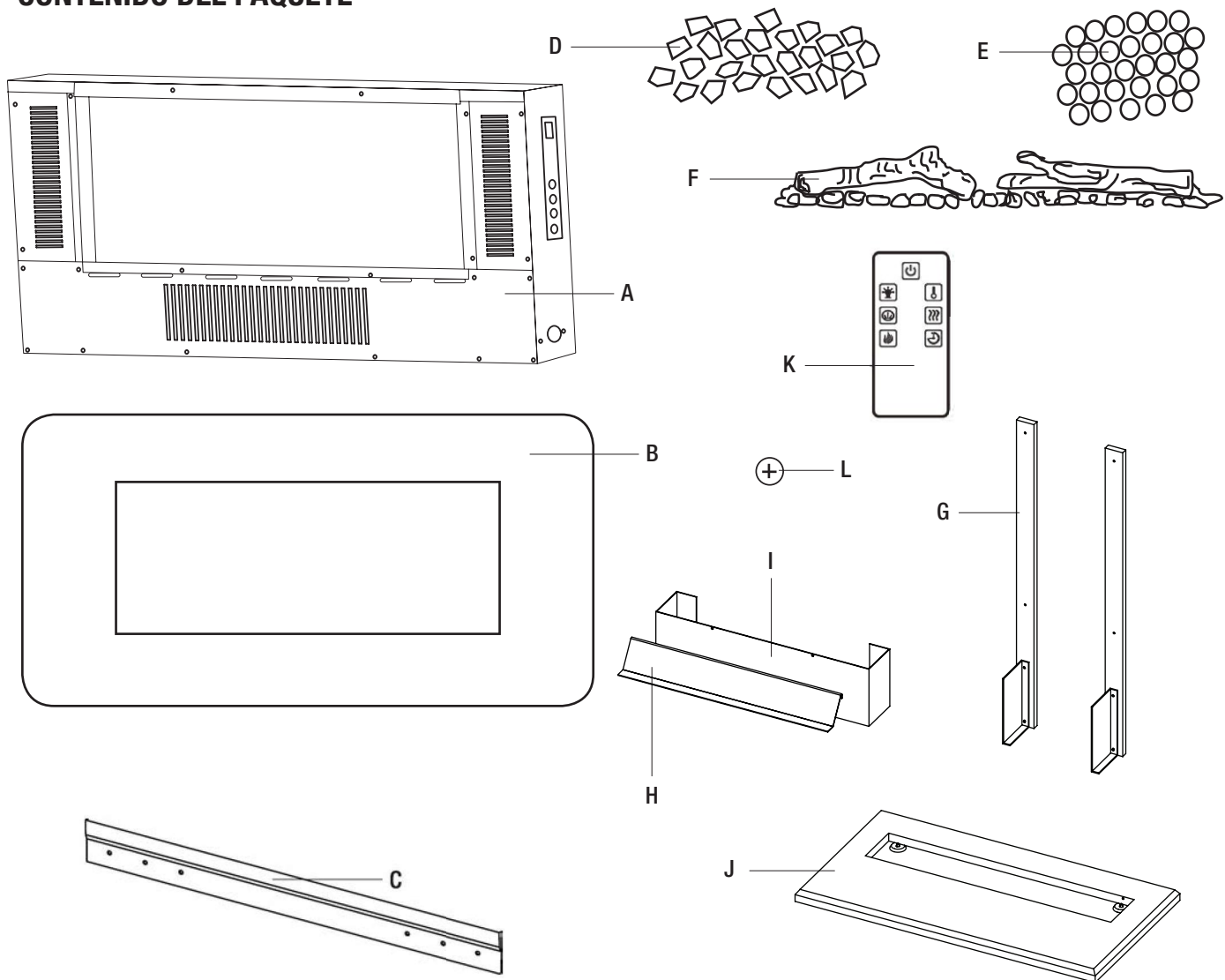


CC

Parte	Descripción	Cantidad
AA	Tornillo pequeño	12
BB	Tornillo grande	2
CC	Anclaje de pared	2

Pre-Instalación (continuación)

CONTENIDO DEL PAQUETE



Parte	Descripción	Cantidad
A	Calefactor	1
B	Cristal frontal	1
C	Soporte de Montaje	1
D	Cristal de acrílico	1
E	Rocas redondas	1
F	Leños	1
G	Soportes para mueble	2

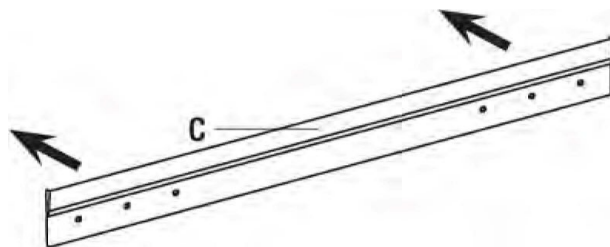
Parte	Descripción	Cantidad
H	Deflector	1
I	Frente	1
J	Base del calefactor	1
K	Control remoto	1
L	Batería	1

Nota: Las dos principales soportes para mueble son idénticos.

Instalación - Fijación a pared

1 Posicionamiento del soporte de montaje

- lija una pared sólida. Posicione el soporte de montaje (C) donde vaya a instalar el calefactor (A) en la pared, y asegúrese de que el soporte de montaje (C) esté a nivel.
- Utilice un bolígrafo para marcar los 2 agujeros de montaje en la pared, en el lugar deseado, utilizando como modelo el soporte de montaje (C).



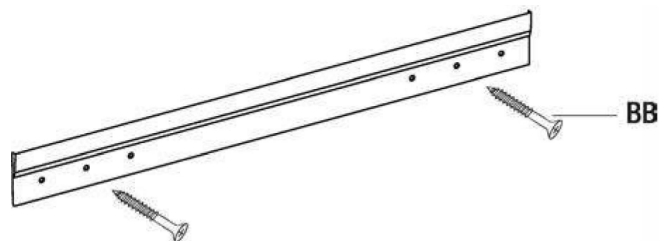
2 Fijación del soporte de montaje

- Inserte los 2 anclajes de auto-taladrado (CC) en el lugar marcado en la pared. Si está instalando el soporte de montaje (C) a un montante de la pared, no hay necesidad de taladrar los agujeros en la madera ni necesita usted los anclajes de pared (CC). Se recomienda instalar el soporte de montaje al menos a un montante.



3 Fijación del soporte de montaje

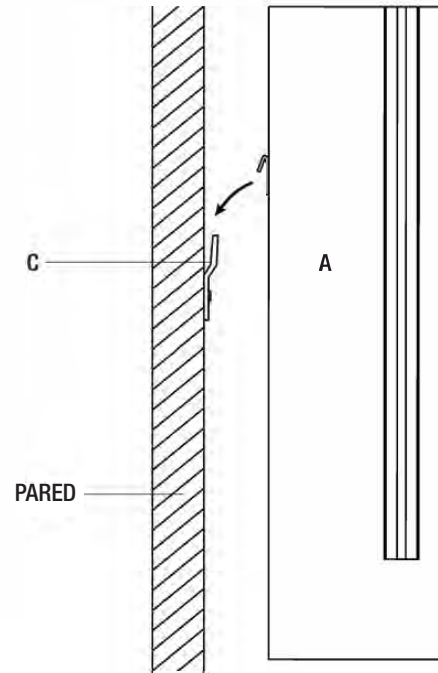
- Fije el soporte de montaje (C) a la pared con cuatro tornillos grandes (BB).



Instalación - Fijación a pared (continuación)

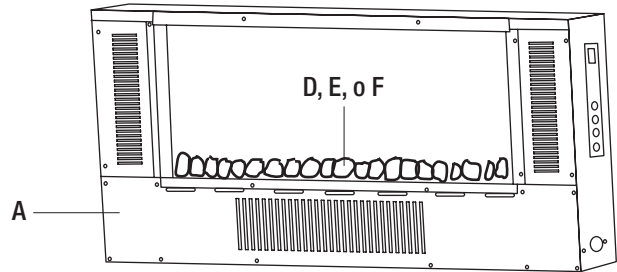
4 Cómo colgar el calefactor

- Colocación de la cámara de combustión eléctrica (A) al soporte de montaje (C).



5 Inserción de la capa de brasas

- Coloque la capa de brasas (cristales de acrílico [D], rocas redondas [E] o leños [F]) a lo largo de la inserción del alféizar en la parte delantera del calefactor (A).

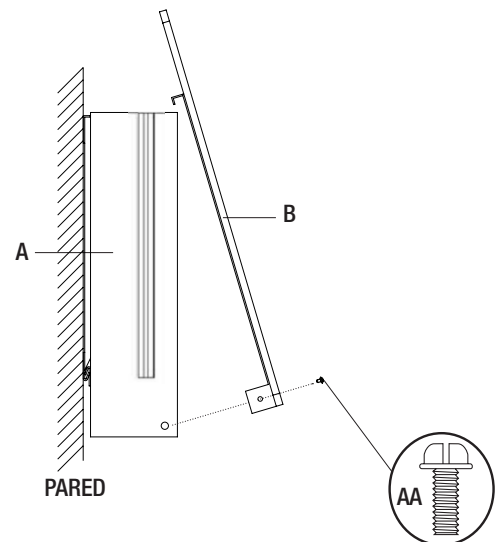


6 Instalación del cristal frontal

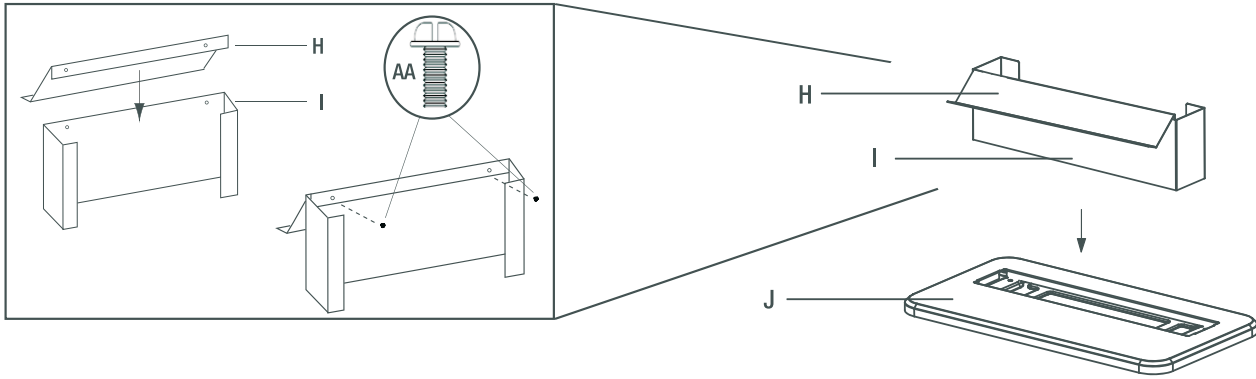


NOTA: El cristal frontal es pesado. Se recomienda el uso de dos personas en esta fase, para prevenir daños al cristal frontal o al calefactor.

- Levante el cristal frontal (B) a su sitio, asegurándose de que las dos tapas en la parte trasera de arriba del cristal frontal (B) encajan correctamente en los agujeros encima del calefactor (A).
- Fije el cristal frontal (B) fijando dos tornillos pequeños (AA) a los dos lados.

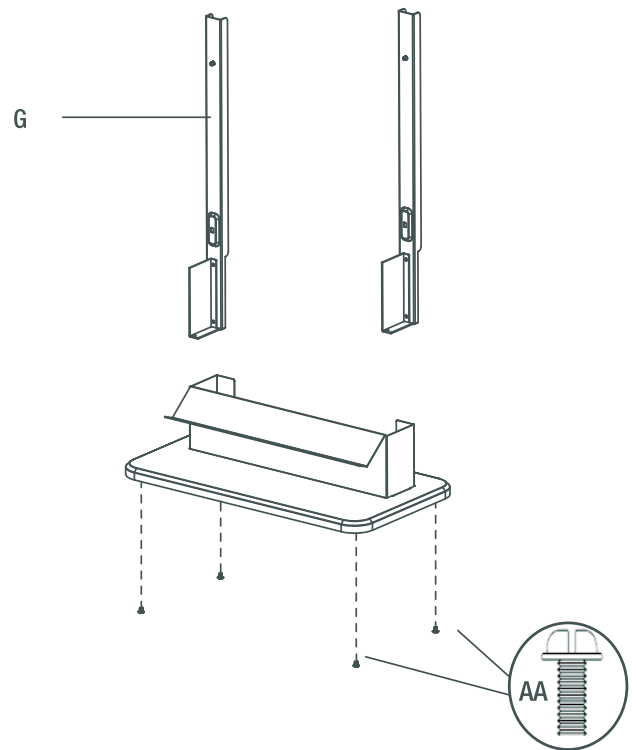


Instalación - Mueble



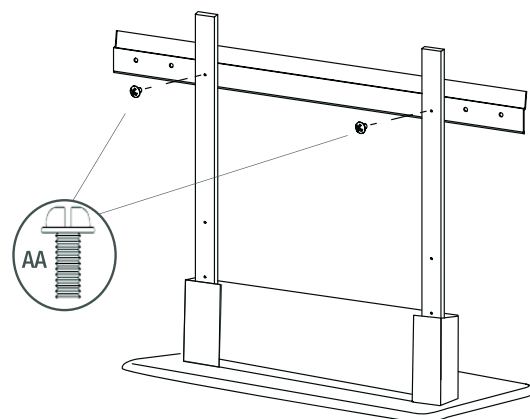
1 Cómo montar el estante de mueble

- Fije el soporte del mueble (G) a la parte superior de la base (J) con 2 tornillos pequeños (AA).
- Fije el deflector (H) a la parte frontal (I) utilizando 4 tornillos pequeños (AA). Deslice el montaje frontal a los dos soportes de mueble (G), y hasta el montaje de base.



2 Fijación del soporte de montaje

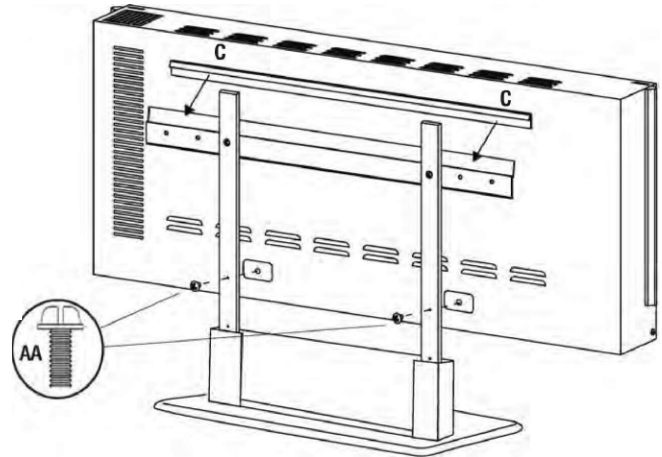
- Utilice un destornillador para fijar el soporte de montaje (C) al estante de mueble con 2 tornillos pequeños (AA).



Instalación - Mueble (continuación)

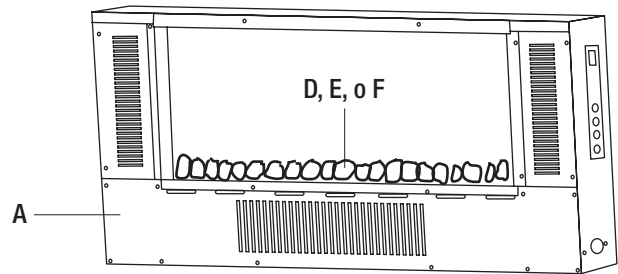
3 Fijación del calefactor

- Utilizando un destornillador, fije el calefactor (A) a la parte de arriba del soporte de montaje (C) con dos tornillos pequeños (AA).



4 Inserción de la capa de brasas

- Coloque la capa de brasas (cristales de acrílico [D], rocas redondas [E] o leños [F]) a lo largo de la inserción del alféizar en la parte delantera del calefactor (A).

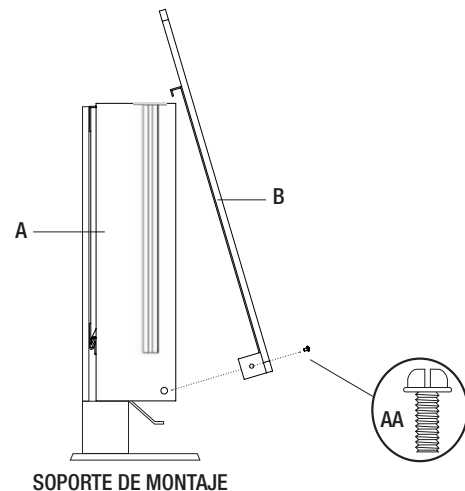


5 Instalación del cristal frontal



NOTE: This glass front is heavy. It is recommended that you use two people at this stage to prevent damage to the glass front or the electric firebox.

- Levante el cristal frontal (B) a su sitio, asegurándose de que las dos tapas en la parte trasera de arriba del cristal frontal (B) encajan correctamente en los agujeros encima del calefactor (A).
- Fije el cristal frontal (B) fijando dos tornillos pequeños (AA) a los dos lados.



Operación (continuación)

UTILIZACIÓN DEL BOTÓN DE CONTROL DEL TERMÓSTATO



- Pulse una vez el botón de calefacción (3) para encender el ventilador de la calefacción.
- Pulse y mantenga presionado el botón de calefacción durante 5 segundos para entrar en el modo temperatura. Después de 5 segundos, pulse el botón de calefacción para ver los diferentes ajustes de calor. Continúe pulsando el botón de calefacción para ver los ajustes de calor.
- Una vez se alcance la temperatura ambiental deseada, el ventilador se desactivará.
- Vea la tabla para más información.
- Para mostrar la configuración de la temperatura tanto en grados Fahrenheit como en Celsius, pulse una vez el botón de calefacción (3) del panel de control, luego pulse y mantenga pulsado el botón de encendido (1) del panel de control durante 5 segundos. La pantalla emitirá un pitido y cambiará entre Fahrenheit y Celsius.

Pulsación del botón	Posición de temperatura (°C)	Pulsación del botón	Posición de temperatura (°F)
1	17°C	1	62°F
2	18°C	2	63°F
3	19°C	3	64°F
4	20°C	4	65°F
5	21°C	5	66°F
6	22°C	6	67°F
7	23°C	7	68°F
8	24°C	8	69°F
9	25°C	9	70°F
10	26°C	10	71°F
11	27°C	11	72°F
12	ON	12	73°F
		13	74°F
		14	75°F
		15	76°F
		16	77°F
		17	78°F
		18	79°F
		19	80°F
		20	81°F
		21	82°F
		22	ON

UTILIZACIÓN DEL BOTÓN DE CONTROL DEL TEMPORIZADOR



- Pulsando el botón de control del temporizador (4) configurará el temporizador. Este intervalo de tiempo se muestra en la pantalla (8) en el panel de control en el lateral de la cámara de combustión eléctrica. Los diferentes intervalos se enumeran en la tabla.

Pulsación del botón	Intervalo del temporizado	Valor en pantalla
1. ^a pulsación	30 Minutos	30
2. ^a pulsación	1 Hora	1H
3. ^a pulsación	2 Horas	2H
4. ^a pulsación	3 Horas	3H
5. ^a pulsación	4 Horas	4H
6. ^a pulsación	5 Horas	5H
7. ^a pulsación	6 Horas	6H



NOTE: If this product experiences exceptionally high temperature, it may automatically stop heating. If this occurs the product should be unplugged or isolated from the main supply for a period of 5 minutes before the power is then resupplied.

Operación (continuación)

AJUSTE DE LA LUZ LATERAL AMBIENTAL



- Pulse el botón de control de un lado (5) para encender la iluminación ambiental.
- Para cambiar el color de la luz pulse el botón de un lado (5) de nuevo. Puede controlar el color de las luces laterales según se describe en la tabla. La modalidad de rotación de color alternará las tres modalidades de color continuamente.

Pulsación del botón	El color de la luz piloto	Monitor
1.ª pulsación	Azul	—
2.ª pulsación	Rojo	≡
3.ª pulsación	Rotación de colores	≡≡
4.ª pulsación	Apagado	

FUNCIÓN DE BLOQUEO DE LA CALEFACCIÓN



- Para apagar el modo de calefacción, pulse y mantenga pulsado el botón de llama durante 5 segundos para entrar en el modo de bloqueo de calefacción. Las luces de llama parpadearán 5 veces para indicar que la función de calefacción se ha apagado y bloqueado. Para encender el modo de calefacción, pulse y mantenga pulsado el botón de calefacción durante 5 segundos. Las luces de la llama parpadearán 5 veces y la función de calefacción se restablecerá. Cuando el botón de calefacción se pulse en modo bloqueo, el lecho de brasas parpadeará 5 veces hasta que el modo calefacción se encienda.

UTILIZACIÓN DEL BOTÓN DE CONTROL DEL LECHO DE BRASAS / JUEGO DE LEÑOS



- Appuyer une fois sur le bouton de commande de lit de braises (7) pour activer le lit de braises. Continuez à appuyer sur le bouton de commande du lit de braises (7) pour faire défiler les différentes couleurs de braises. Consultez le tableau pour avoir plus d'informations.
- Pulsando una vez el botón de control del lecho de brasas (7) se enciende el lecho de brasas. Siga pulsando el botón de control del lecho de brasas (7) para ver los diferentes colores del lecho de brasas. Vea la tabla para más información.

Pulsación del botón	1	2	3	4	5	6	7
Lecho de brasas/ juego de leños	Naranja	Verde	Azul	Rojo	Rojo y Azul (la mezcla de color púrpura)	Rojo y Verde y Azul (mezclar a blanco)	Rotación de colores
Monitor	1	2	3	4	5	6	7

Cuidado y limpieza

 **IMPORTANTE:** Desenchufe siempre el cable de alimentación antes de limpiar la unidad. Deje que la unidad se enfríe antes de limpiarla.

- Limpie la superficie exterior del calefactor de vez en cuando con un paño suave y húmedo (que no esté muy mojado), y seque la superficie antes de operar la unidad.
- No sumerja el calefactor en agua.
- No utilice productos de limpieza químicos como detergentes o abrasivos.
- No permita que el interior se moje, ya que esto podría crear un peligro.
- Si se acumula un poco de polvo en el calefactor, puede limpiarse con un paño seco y suave.
- Para guardar el calefactor, póngalo de nuevo en su embalaje original y guárdelo en un lugar limpio y seco.
- El ventilador y el motor de la llama vienen pre-lubricados para un uso duradero, sin necesidad de más lubricación o mantenimiento.
- Es posible que se acumulen partículas de polvo encima y dentro del calefactor, así que se recomienda la limpieza o aspiración de éste.
- Siempre apague el calefactor y desconecte el cable eléctrico del tomacorriente antes de limpiarlo.
- La limpieza del panel de control, localizado en la esquina superior derecha de la chimenea detrás de la cubierta deslizante del panel de control, debe hacerse usando solamente un paño suave, ligeramente humedecido en agua (de ser necesario, se puede agregar una pequeña cantidad de jabón de platos al agua) y secarse usando un paño suave limpio y seco. La limpieza del difusor de rejilla debe hacerse usando solamente agua y un paño libre de pelusa. NO use controles abrasivos y la rejilla de difusión.



PRECAUCIÓN: No mezcle pilas nuevas y usadas.
No mezcle pilas alcalinas, estándar (carbono-zinc), o baterías recargables (NiCd y NiMH, etc).

CÓMO DESECHAR LAS PILAS USADAS



La pila puede contener sustancias peligrosas que podrían poner en peligro el medio ambiente y la salud humana. Este símbolo impreso en la pila y/o envoltorio indica que la pila usada no debe tratarse como residuo municipal. Las pilas deben desecharse en un centro de recolección adecuado para su reciclaje. Al asegurarse de desechar correctamente las pilas usadas, usted estará ayudando a prevenir potenciales consecuencias negativas para el medio ambiente y la salud humana. El reciclaje de materiales ayudará a conservar los recursos naturales. Para obtener mayor información sobre el reciclado de pilas usadas, por favor contacte al servicio de administración de desechos de su municipalidad.

Mantenimiento

⚠ PELIGRO



Desconecte la energía antes de dar servicio.

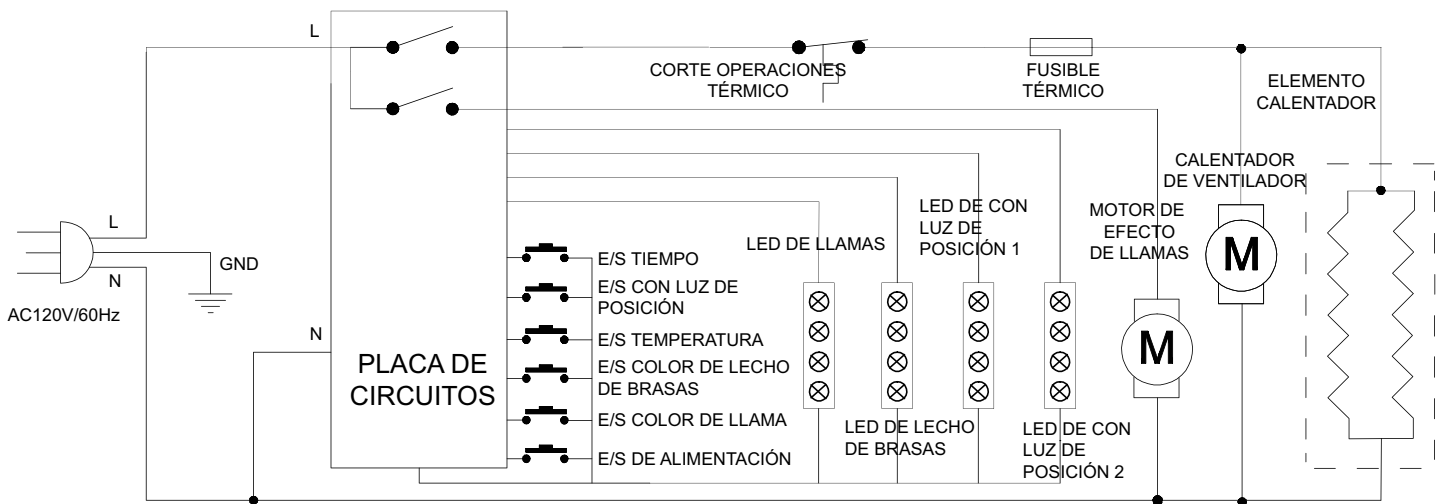


Cualquier renovación de cableado de este dispositivo debe ser hecho por un electricista calificado. Este cableado debe ser hecho de acuerdo con códigos locales y/o en Canadá con el Código Eléctrico Canadiense actual CSA C22.1 y para instalaciones en los EE. UU., el Código Eléctrico Nacional ANSI/NFPA NO 70.



Si se repara o reemplaza cualquier componente eléctrico o el cableado, el enrutamiento original de cables, la codificación de color y ubicaciones seguras deben seguirse.

DIAGRAMA DE CIRCUITO



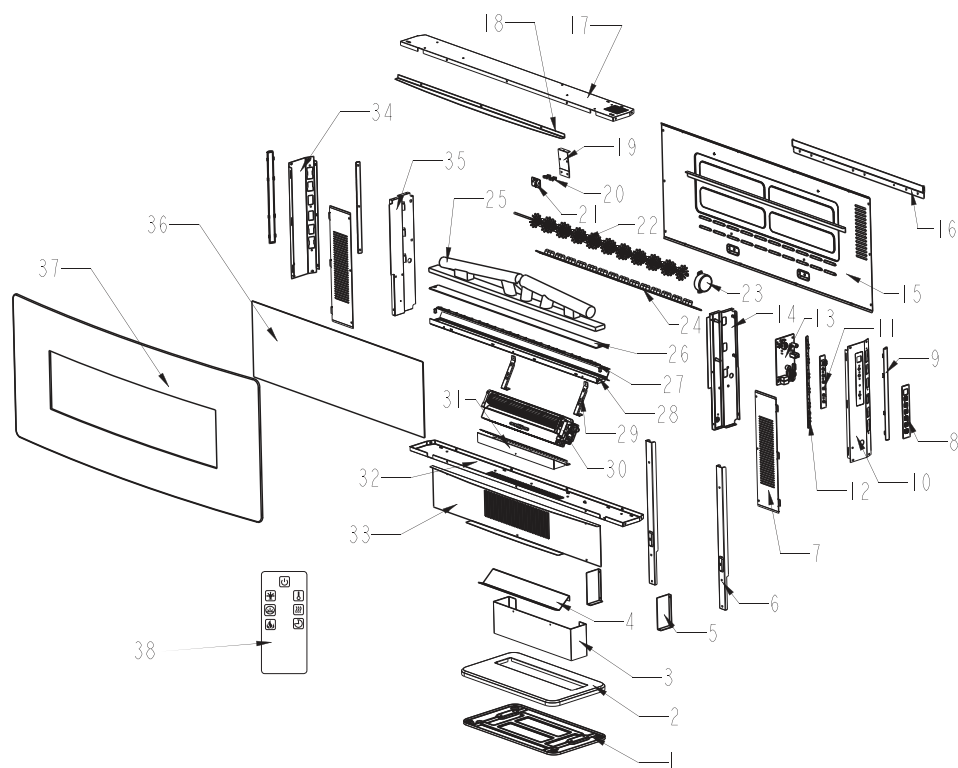
ADVERTENCIA: Desconecte la energía antes de dar servicio.

⚠ ADVERTENCIA

Este producto puede exponerlo a usted a agentes químicos incluyendo ftalato de diisononilo (DINP), reconocido por el estado de California como causante de cáncer, así como ftalatos de diisodécilo (DIDP), reconocidos por el estado de California como causantes de defectos congénitos y otros daños al sistema reproductor.

Para obtener más información, visite www.p65Warnings.ca.gov

Partes de servicio



Réf.	Description	No. de pièce
1	panel inferior 2	SF31042001
2	panel frontal	SF31042002
3	panel inferior 1	SF31042003
4	soporte de ventilación	SF31042004
5	refuerzo 2	SF31042005
6	refuerzo 1	SF31042006
7	placa de recubrimiento izquierda y derecha	SF31042007
8	etiqueta para la llave	SF31042008
9	cubierta para la luz de ambiente	SF31042009
10	placa de soldadura derecha	SF31042010
11	circuito impreso de la llave	SF31042011
12	circuito impreso de la luz lateral	SF31042012
13	circuito impreso principal	SF31042013
14	placa derecha central	SF31042014
15	placa trasera	SF31048020
16	placa inferior de anclaje	SF31042016
17	placa superior	SF31048013
18	cubierta para la luz	SF31048041
19	placa para fijar el control	SF31042019

Réf.	Description	No. de pièce
20	espaciador	SF31042020
21	circuito impreso del receptor	SF31042021
22	reflector	SF31048021
23	motor del sistema	SF31042023
24	circuito impreso de la llama	SF31048004
25	leños	SF31048007
26	placa PP 2	SF31048040
27	circuito impreso de la iluminación	SF31048001
28	Soporte del circuito impreso de la llama	SF31048048
29	soporte del ventilador	SF31042029
30	ventilador	SF31042030
31	panel de ventilación	SF31042031
32	placa inferior	SF31048014
33	panel frontal	SF31048015
34	placa de soldadura izquierda	SF31042034
35	placa izquierda central	SF31042035
36	placa PP 1	SF31048023
37	acero cepillado frontal	SF31048016
38	control remoto	SF31042039

Muskoka®



Muskoka® is a registered trademark of GHP Group Inc.
Muskoka® est une marque de commerce déposée de GHP Group Inc.
Muskoka® es una marca registrada de GHP Group Inc.

1-877-447-4768 • www.ghpgroupinc.com

Made in China / Fabriqué en Chine / Hecho en China