



# Contents

Choosing the Right Grill // ..... 4

**Gas Grills // ..... 8**

5 Burner LP Gas Grill With Side Burner // ..... 10

Premier 4 Burner LP Gas Grill With Side Burner // ..... 12

Premier 4 Burner LP Gas Grill With Side Burner, Searplus® Burner & Led Control Knobs //.. 14

Premier 3 Burner Natural Gas Grill // ..... 16

Premier 2 Burner LP Gas Grill // ..... 18

5 Burner Open Cart LP Gas Grill With Side Burner // ..... 20

3 Burner Lp Gas Grill // ..... 22

2 Burner Lp Gas Grill // ..... 24

Tabletop Lp Gas Griddle // ..... 26

**Charcoal Grills // ..... 28**

Dual Chamber Charcoal Grill // ..... 30

Extra Large Charcoal Grill // ..... 32

Large Charcoal Grill // ..... 34

Compact Charcoal Grill // ..... 36

Compact Charcoal Grill // ..... 38

Compact Barrel Charcoal Grill // ..... 40

Heavy-Duty Barrel Charcoal Grill // ..... 42

Patio Charcoal Grill // ..... 44

Tabletop Charcoal Grill // ..... 46

**Pellet Grills // ..... 48**

Wood Pellet Grill w/ Cabinet // ..... 50

Large Wood Pellet Grill // ..... 52

Compact Wood Pellet Grill // ..... 54

**Smokers // ..... 56**

Wide Body Vertical LP Gas Smoker // ..... 58

Vertical LP Gas Smoker // ..... 60

Wide Body Charcoal Offset Smoker // ..... 62

Vertical Offset Charcoal Smoker // ..... 64

Heavy Duty Vertical Charcoal Smoker // ..... 66

Vertical Charcoal Smoker // ..... 68

Bluetooth Electric Smoker // ..... 70

Analog Electric Smoker // ..... 72

Bullet Charcoal Smoker // ..... 74

**GAS GRILLS //**

A good beginner grill, affordable, clean, and accessible.

**FLAVOR**

The least flavorful, gas grills are good at getting the job done, and allow you to have more control over the flavor of your food.

**FUEL OPTIONS**

Propane // Natural Gas

**BENEFITS**

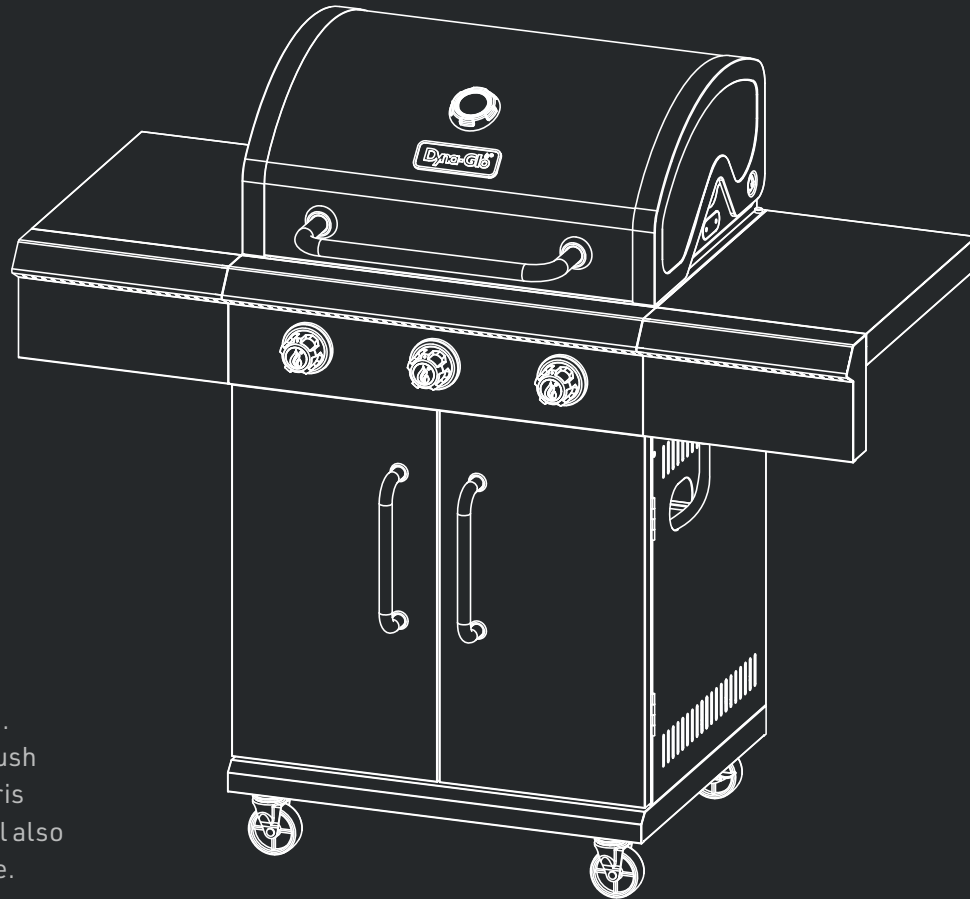
- + Convenience
- + Temperature control
- + Easy cleaning

**CHALLENGES**

- + Less flavorful
- + Natural gas grills aren't portable

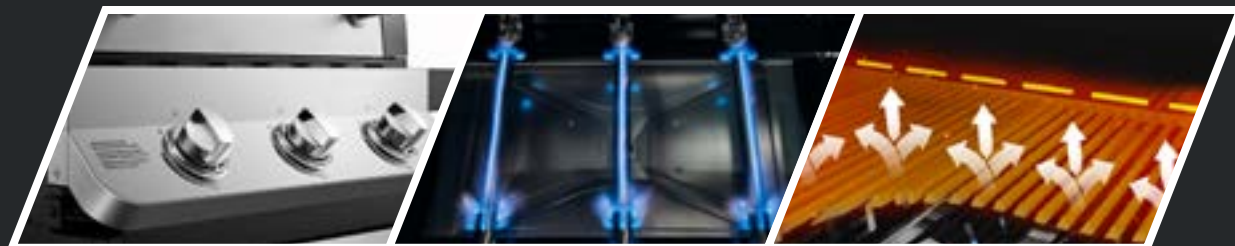
**MAINTENANCE**

Gas grills are fairly easy to maintain. We recommend using a stiff wire brush to scrub the burners to prevent debris blockages. Preheating your grill will also help to disinfect the cooking surface.



**THE Dyna-Glo<sup>®</sup> DIFFERENCE**

- INTEGRATED PIEZO IGNITION // For quick & reliable start-up
- SPECIALLY DESIGNED BURNERS // For even heat distribution
- TRIVANTAGE<sup>™</sup> COOKING SYSTEM // + Smoke // Grill // Sear



**CHARCOAL //**

Great for more experienced grillers, this type of grilling is the gateway to that distinct grilled flavor.

**FLAVOR**

This type of grill is famous for its charred flavor. Foods cooked with charcoal will often have a smoky rich flavor.

**FUEL OPTIONS**

Charcoal // Wood

**BENEFITS**

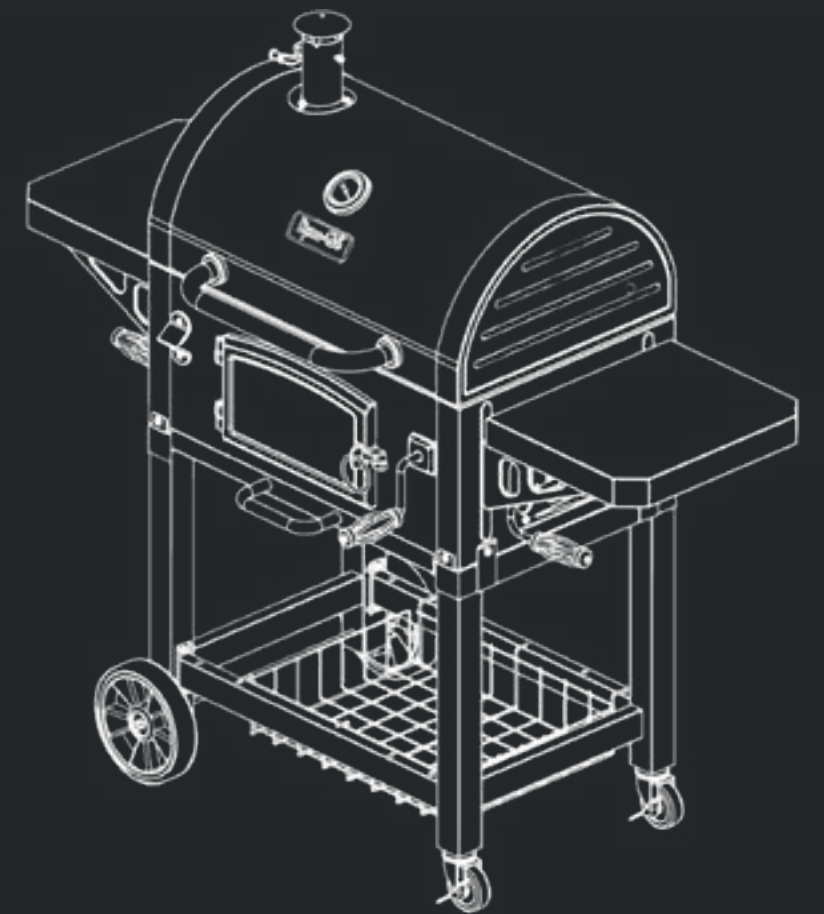
- + Flavor
- + Affordability
- + Intense heat

**CHALLENGES**

- + Long set-up and ignition time
- + Charcoal can be messy
- + Technique can be difficult for new grillers

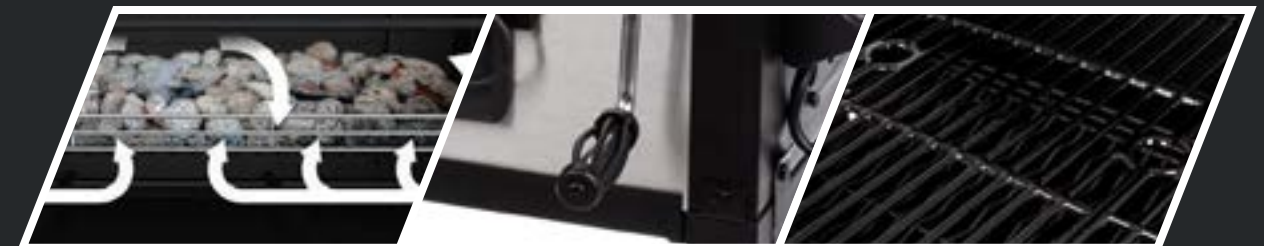
**MAINTENANCE**

Though these grills can be messy, clearing the ash is the main task a griller will have to tackle. Charcoal also doesn't expire when kept in a dry environment.



**THE Dyna-Glo<sup>®</sup> DIFFERENCE**

- 360 AIRFLO CHARCOAL TRAY // + Improves fuel efficiency
- CHARCOAL ADJUSTMENT CRANK // + Gives the griller control over cooking surface temperature.
- CAST IRON COOKING GRATES // + Helps to transfer high heat directly to food.



PELLET GRILLS //

By far the easiest grill to use, pellets offer cooking versatility with maintenance free temperature control.

FLAVOR

The flavor of your meal will depend on the type of pellet you use. Some of the most popular flavors are hickory and apple. Both of which are strong enough to impart flavor on meats like beef, but subtle enough to not overpower other meats

FUEL OPTIONS

Wood Pellets //

BENEFITS

- + Versatility
- + Easy ignition
- + Automatic temperature control

CHALLENGES

- + Price point
- + Relies on electricity
- + Restricted by weather conditions

MAINTENANCE

Pellet Grills are very easy to clean and maintain. As with any grill, using a bristle brush on the grates after it has had a chance to heat up will prevent build up. Ash from the pellets will also need to be cleared.



THE Dyna-Glo DIFFERENCE



CAST IRON GRATES

- + Helps to transfer high heat directly to food.

// DIRECT COOK SYSTEM

- + For Searing

// REAR PELLET CLEAN-OUT

- + For rapidly switching pellet types or preparing for storage

SMOKERS //

For seasoned grillers, smokers offer a unique cooking experience with unmatched flavor.

FLAVOR

The smoking process allows for a caramelization of your food depending on the type of hardwood used. Food made with a smoker will be tender, smoky, and juicy.

FUEL OPTIONS

Charcoal // Wood // Propane // Electric

BENEFITS

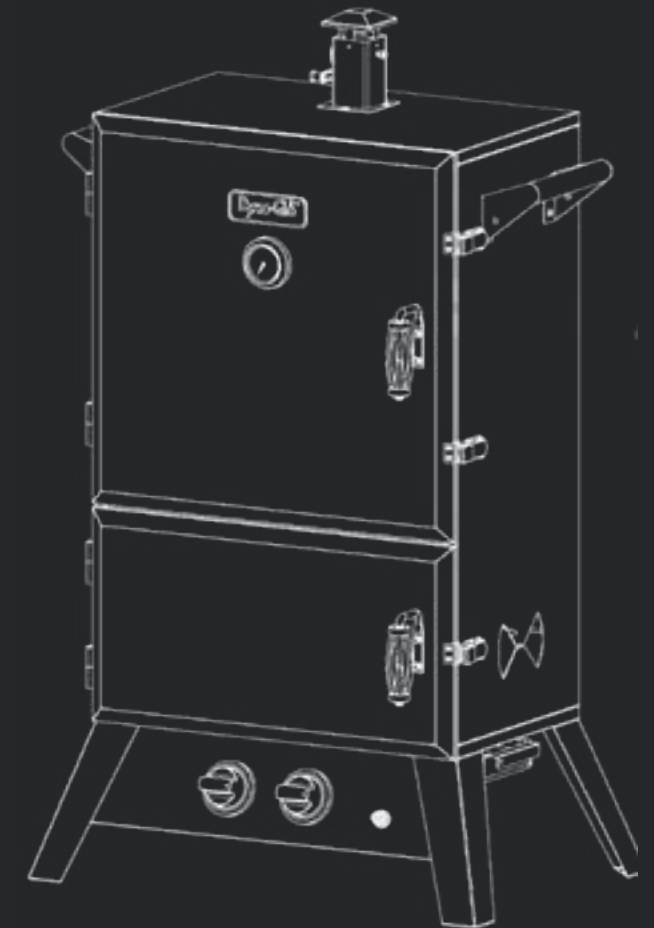
- + Flavor
- + Versatility
- + Consistent results

CHALLENGES

- + Long cooking time
- + Can be a challenge for new grillers

MAINTENANCE

Smokers, when maintained properly, tend to last a long time. Be sure to remove the ashes after each use and brush off your grates with a nylon bristle brush before your next barbecue.



THE Dyna-Glo DIFFERENCE



CHARCOAL & ASH MANAGEMENT

- + Improves fuel efficiency with easy clean-up

// CAST IRON BURNERS

- + For Strong Heat Output.

// ENAMELED STEEL WOOD CHIP BOX

- + Increases Fuel Efficiency.

Dyna-Glo

# GAS GRILLS //

Charcoal Grills.....	28
Pellet Grills .....	48
Smokers .....	56





**5 BURNER LP GAS GRILL WITH SIDE BURNER //**

*BLACK FINISH*

With optimal cooking space and heating power, you can deliver a multi-course meal for your family and friends at your next backyard cookout. The easy-to-use integrated ignition system makes start-ups a breeze. Achieve restaurant-quality sear marks when you cook on this grill's cast iron cooking grates.



+ Porcelain-Enameled Steel Cooking Grates



+ Integrated Temperature Gauge



+ 12,000 BTU Side Burner



+ Tool Hooks & Towel Holder



+ Stainless Steel Tube Burners



+ Full Cart Construction w/ 4 Caster Wheels (2 locking)



DGP552CSP-D  
**PREMIER 5 BURNER LP GAS GRILL WITH SIDE BURNER //**  
**BLACK FINISH**

**Total BTUs** | 72,000

**Cooking Space** | 769 total square inches

**Dimensions** | 62.99"L x 23.23"D x 45.28"H



DGP552SSP-D  
**PREMIER 5 BURNER LP GAS GRILL WITH SIDE BURNER //**  
**STAINLESS AND BLACK FINISH**

**Total BTUs** | 72,000

**Cooking Space** | 769 total square inches

**Dimensions** | 62.99"L x 23.23"D x 45.28"H





**PREMIER 4 BURNER LP GAS GRILL WITH SIDE BURNER //**

*BLACK FINISH*

Install the ultimate barbecue station in your backyard with the 4 burner premier propane gas grill from Dyna-Glo. The options are limitless with this grill's combination of cooking power, quality construction, and features that simplify your grilling experience.



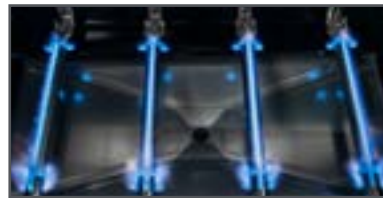
+ Tool hooks & Towel Holder



+ Integrated Temperature Gauge



+ 12,000 BTU Side Burner



+ Stainless Steel Tube Burners



+ Matte Porcelain-Enameled Cast Iron Cooking Grate



+ Full Cart Construction w/ 4 Caster Wheels (2 locking)



DGP483CSP-D  
**PREMIER 4 BURNER LP GAS GRILL WITH SIDE BURNER //** BLACK FINISH

Total BTUs | 60,000

Cooking Space | 673 total square inches

Dimensions | 59.25"L x 23.23"D x 45.28"H



DGP483SSP-D  
**PREMIER 4 BURNER LP GAS GRILL WITH SIDE BURNER //** STAINLESS AND BLACK FINISH

Total BTUs | 60,000

Cooking Space | 673 total square inches

Dimensions | 59.25"L x 23.23"D x 45.28"H



DGP483SSN-D  
**PREMIER 4 BURNER NATURAL GAS GRILL WITH SIDE BURNER //** STAINLESS AND BLACK FINISH

Total BTUs | 60,000

Cooking Space | 673 total square inches

Dimensions | 59.25"L x 23.23"D x 45.28"H





**PREMIER 4 BURNER LP GAS GRILL WITH SIDE BURNER, SEARPLUS® BURNER & LED CONTROL KNOBS //**

*BLACK FINISH*

This four-burner grill offers an easy-to-use integrated ignition knob system, making startups a breeze, and unique LED control knobs to illuminate your grilling experience.



+ Integrated Temperature Gauge



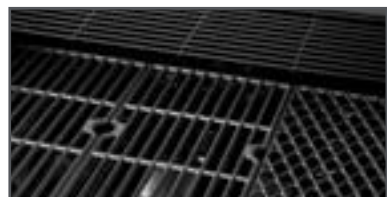
+ Side Burner + LED Control



+ Tool Hooks & Towel Holder



+ Stainless Steel Tube Burners



+ Matte Porcelain-Enameled Cast Iron Cooking Grates



+ Full Cart Construction w/ 4 Caster Wheels (2 locking)



DGP482CRP  
**PREMIER 4 BURNER LP GAS GRILL WITH SIDE BURNER, SEARPLUS® BURNER & LED CONTROL KNOBS // BLACK FINISH**

**Total BTUs** | 60,000

**Cooking Space** | 673 square inches

**Dimensions** | 59.25"L x 23.23"D x 45.28"H







**PREMIER 3 BURNER  
NATURAL GAS GRILL //**

*BLACK FINISH*

The design is compact, and the options are limitless with this grill's impressive combination of cooking power, quality construction, and features that simplify your grilling experience.



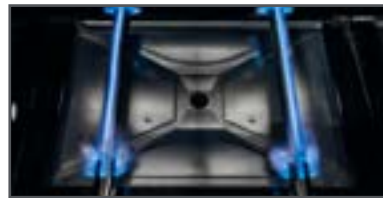
+ Folding Side Shelves



+ Integrated Temperature Gauge



+ Tool Hooks & Towel Holder



+ Stainless Steel Tube Burners



+ Gloss Porcelain-Enameled Cast Iron Cooking Grate



+ Full Cart Construction w/ 4 Caster Wheels (2 locking)



**DGP397CNP-D  
PREMIER 3 BURNER LP GAS GRILL  
// BLACK FINISH**

**Total BTUs** | 36,000  
**Cooking Space** | 550 total square inches  
**Dimensions** | 54.53"L x 23.23"W x 45.28"H



**DGP397CNN-D  
PREMIER 3 BURNER NATURAL GAS  
GRILL // BLACK FINISH**

**Total BTUs** | 36,000  
**Cooking Space** | 550 total square inches  
**Dimensions** | 54.53"L x 23.23"W x 45.28"H



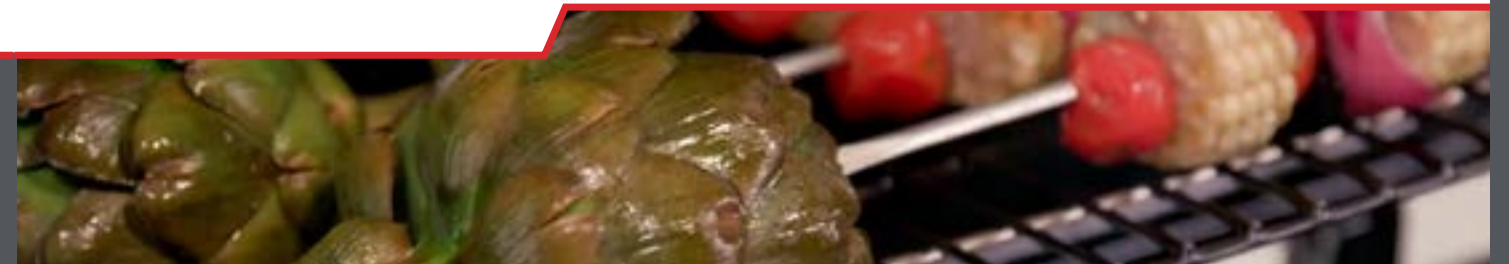
**DGP397SNP-D  
PREMIER 3 BURNER LP GAS GRILL  
// STAINLESS AND BLACK FINISH**

**Total BTUs** | 36,000  
**Cooking Space** | 550 square inches  
**Dimensions** | 54.53"L x 23.23"W x 45.28"H



**DGP397SNN-D  
PREMIER 3 BURNER NATURAL GAS GRILL  
// STAINLESS AND BLACK FINISH**

**Total BTUs** | 24,000  
**Cooking Space** | 550 square inches  
**Dimensions** | 54.53"L x 23.23"W x 45.28"H





**PREMIER 2 BURNER LP GAS GRILL //**

*BLACK FINISH*

Whether your space is big or small, you can barbecue with the best of them with the 2 burner premier propane gas grill from Dyna-Glo.



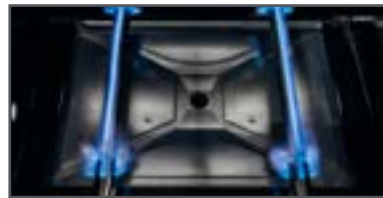
+ Folding Side Shelves



+ Integrated Temperature Gauge



+ Tool Hooks & Towel Holder



+ Stainless Steel Tube Burners



+ Gloss Porcelain-Enameled Cast Iron Cooking Grate



+ Full Cart Construction w/ 4 Castor Wheels (2 locking)



**DGP321CNP-D  
PREMIER 2 BURNER LP GAS GRILL  
// BLACK FINISH**

**Total BTUs** | 24,000

**Cooking Space** | 445 total square inches

**Dimensions** | 50.20"L x 23.23"W x 45.28"H



**DGP321SNN-D  
PREMIER 2 BURNER NATURAL GAS GRILL  
// STAINLESS AND BLACK FINISH**

**Total BTUs** | 24,000

**Cooking Space** | 445 total square inches

**Dimensions** | 50.20"L x 23.23"W x 45.28"H



**DGP321SNP-D  
PREMIER 2 BURNER LP GAS GRILL  
// STAINLESS AND BLACK FINISH**

**Total BTUs** | 24,000

**Cooking Space** | 445 total square inches

**Dimensions** | 50.20"L x 23.23"W x 45.28"H



**Dyna-Glo**

**5 BURNER OPEN CART LP GAS GRILL WITH SIDE BURNER //**

*STAINLESS STEEL AND BLACK FINISH*

This quality 5 burner gas grill with side burner combines performance, durability & design.



+ Porcelain-Enameled Steel Cooking Grates



+ Integrated Temperature Gauge



+ 12,000 BTU Side Burner



+ Convenient Bottle Opener



+ Integrated Piezo Ignition



**DGG515SDP-D**  
**5 BURNER OPEN CART LP GAS GRILL WITH SIDE BURNER //** STAINLESS AND BLACK FINISH

**Total BTUs** | 72,000

**Cooking Space** | 661 total square inches

**Dimensions** | 55.87"L x 23.82"W x 47.24"H



**DGB495SDP-D**  
**4 BURNER OPEN CART LP GAS GRILL WITH SIDE BURNER //** STAINLESS AND BLACK FINISH

**Total BTUs** | 60,000

**Cooking Space** | 641 total square inches

**Dimensions** | 45"L x 23.82"W x 46.25"H



**Dyna-Glo**

**3 BURNER LP GAS GRILL //**

*RED, BLACK AND STAINLESS FINISH*

Make your next BBQ red hot with the 3 Burner LP Gas Grill from Dyna-Glo. With plenty of cooking space and heating power, you can sear steaks, veggies and brats for everyone at your house.



+ Integrated Temperature Gauge



+ Porcelain-Enameled Steel Cooking Grates



+ Integrated Piezo Ignition



DGG424RNP-D  
**3 BURNER LP GAS GRILL //**  
**RED, BLACK AND STAINLESS FINISH**

**Total BTUs** | 36,000

**Cooking Space** | 542 total square inches

**Dimensions** | 51.54"L x 22.83"W x 46.61"H



# Dyna-Glo®

## 2 BURNER LP GAS GRILL //

BLACK FINISH

Just because you live in a city apartment, condo or have a small yard doesn't mean you have to miss out on the fun of grilling. The Dyna-Glo 2-burner LP Gas Grill gives you the power to create flame-broiled favorites for yourself or a crowd. The integrated ignition gets the grill going in seconds and the two Stainless Steel burners deliver 20,000 BTUs of steak-searing heat



+ 139" Warming Rack



+ Porcelain-Enameled Steel Cooking Grates



+ 2 Stainless Steel Tube Burners w/ Integrated Ignition



DGB300CNP-D  
**2 BURNER LP OPEN CART GAS GRILL //**  
**BLACK FINISH**

Total BTUs | 20,000

Cooking Space | 449 total square inches

Dimensions | 45.08" L x 22.83"W x 43.9"H





## TABLETOP LP GAS GRIDDLE //

The Dyna-Glo 17" Portable Liquid Propane Gas Griddle will bring variety to your grilling game wherever you are. From juicy griddle burgers and hot dogs while tailgating, to bacon and eggs at your campsite, this portable LP gas griddle will serve up a delicious meal.



+ Powerful 18,000 BTU Burner



+ Pre-Seasoned Heavy Duty Griddle Plate



+ Convenient Grease Cup



+ Integrated Piezo Ignition



### DGL260SNP-D TABLETOP LP GAS GRIDDLE

**Total BTUs** | 18,000

**Cooking Space** | 260 total square inches

**Dimensions** | 17.52"L x 18.5"W x 8.54"H



Dyna-Glo

# CHARCOAL GRILLS //



Gas Grills .....	8
Pellet Grills .....	48
Smokers .....	56



**DUAL CHAMBER CHARCOAL GRILL //**

STAINLESS STEEL AND BLACK FINISH

The Dual zone premium charcoal grill helps to grill food to perfection. Constructed from durable steel for long lasting use, this grill provides the right heat to sear foods and lock in natural juices.



+ Adjustable Smoke Stack



+ Integrated Temperature Gauge



+ Adjustable Charcoal Tray with **AIR-FL0300**



+ Bottle Opener



+ Cast Iron & Steel Charcoal Access Doors



+ Removable Charcoal Tray



DGN576SNC-D

**LARGE CHARCOAL GRILL // BLACK AND STAINLESS STEEL FINISH**

Cooking Space | 686 total square inches

Dimensions | 60.79"L x 28.43"W x 51.61"H







**EXTRA LARGE CHARCOAL GRILL //**

*BLACK FINISH*

Anytime is the right time to cook on this heavy-duty charcoal grill from Dyna-Glo. Customize the cooking temperature by using the adjustment crank to raise and lower the charcoal tray. The high capacity ash pan is removable for quick and easy clean-up.



+ Adjustable Smoke Stack



+ Integrated Temperature Gauge



+ Adjustable Charcoal Tray with **AIR-FLQ**



+ Sliding Cooking Grate



+ Cast Iron & Steel Charcoal Access Doors



+ Removable Charcoal Tray



DGN576DNC-D  
**LARGE CHARCOAL GRILL**  
**// BLACK FINISH**

Cooking Space | 686 total square inches

Dimensions | 55.79"L x 28.43"W x 50.98"H



**Dyna-Glo**

**LARGE CHARCOAL GRILL //**

*BLACK FINISH*

Anytime is the right time to cook on this heavy-duty charcoal grill from Dyna-Glo. Customize the cooking temperature by using the adjustment crank to raise and lower the charcoal tray. The high capacity ash pan is removable for quick and easy clean-up.



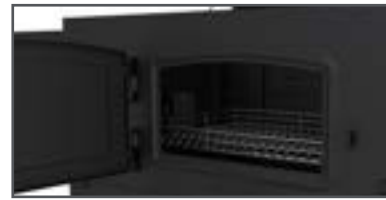
+ Adjustable Smoke Stack



+ Integrated Temperature Gauge



+ Adjustable Charcoal Tray with **AIR-FLQ 360**



+ Steel Charcoal Access Door



+ Ergonomic Side Damper Handles



+ Removable Charcoal Tray



**DGN486DNC-D**  
**LARGE CHARCOAL GRILL //** **BLACK FINISH**

**Cooking Space** | 686 total square inches  
**Dimensions** | 55.79"L x 28.43"W x 50.98"H



**DGN486SNC-D**  
**LARGE CHARCOAL GRILL //** **BLACK AND STAINLESS STEEL FINISH**

**Cooking Space** | 686 total square inches  
**Dimensions** | 55.79"L x 28.43"W x 50.98"H



**Dyna-Glo**

**COMPACT CHARCOAL GRILL //**

*BLACK FINISH*

Cooking with charcoal is now stylish and functional with this Dyna-Glo charcoal grill.



+ Adjustable Smoke Stack



+ Integrated Temperature Gauge



+ Adjustable Charcoal Tray with **AIR-FLQ**



+ Steel Charcoal Access Door



+ Ergonomic Side Damper Handles



+ Lower Storage Rack



**DGN405SNC-D**  
**COMPACT CHARCOAL GRILL // BLACK FINISH**

**Cooking Space** | 568 total square inches

**Dimensions** | 51.30"L x 27.36"W x 50.08"H



**DGN405DNC-D**  
**CHARCOAL GRILL // BLACK AND STAINLESS STEEL FINISH**

**Cooking Space** | 568 total square inches

**Dimensions** | 51.30"L x 27.36"W x 50.08"H





**COMPACT CHARCOAL GRILL //**

*BLACK FINISH*

Whether your space is big or small, you can barbecue with the best of them with this compact charcoal grill from Dyna-Glo. 250 total square inches of cooking space accommodates up to twelve 4 in. burgers or 2 whole chickens



+ Adjustable Smoke Stack



+ Adjustable Enameled Steel Charcoal Tray



+ Fold-Down Side Shelf



+ Steel Charcoal Access Door



+ Removable High Capacity Ash Tray



DGD381BNC-D  
**COMPACT CHARCOAL GRILL**  
**// BLACK FINISH**

**Cooking Space** | 250 total square inches

**Dimensions** | 23.2"L x 19.6"W x 20.4"H





**COMPACT BARREL CHARCOAL GRILL //**

*BLACK FINISH*

Maximize your outdoor cooking experience while keeping storage to a minimum. The Heavy-Duty Compact Barrel Charcoal Grill features a collapsible steel front work station which provides more space within a compact area.



+ Single Body Construction w/ Embossed Lid



+ Enameled Cast Iron Cooking Grates



+ Side Access Door w/ Adjustable Damper



+ Commercial Grade Temperature Gauge



+ Cool Touch Handle



+ Fold-Down Work Station



DGSS443CB-D  
**COMPACT BARREL CHARCOAL GRILL**  
**// BLACK FINISH**

**Cooking Space** | 443 total square inches

**Dimensions** | 23.2"L x 19.6"W x 20.4"H





**HEAVY-DUTY BARREL CHARCOAL GRILL //**

*BLACK FINISH*

Maximize your outdoor cooking experience while keeping storage to a minimum. The Heavy-Duty Compact Barrel Charcoal Grill features a collapsible steel front work station which provides more space within a compact area.



+ Commercial Grade Temperature Gauge



+ Enameled Cast Iron Cooking Grates



+ Side Access Door w/ Adjustable Damper



+ Single Body Construction w/ Embossed Lid



+ Cool Touch Handle



+ Fold-Down Work Station



DGSS675CB-D  
**HEAVY-DUTY BARREL CHARCOAL GRILL**  
**// BLACK FINISH**

**Cooking Space** | 443 total square inches

**Dimensions** | 23.2"L x 19.6"W x 20.4"H



# Dyna-Glo®

## PATIO CHARCOAL GRILL //

BLACK FINISH

Perfect for patios and smaller outdoor spaces, meet the compact charcoal grill from Dyna-Glo! With 250 square inches of cooking space, you can grill a meal for the whole crew. The convenient metal side shelf gives you additional space for food prep.



+ Single Body Construction w/ Embossed Lid



+ Matte Enameled Cast Iron Cooking Grates



+ Removable Charcoal & Ash Tray w/ Adjustable Side Damper



+ Adjustable Side Damper



+ Steel Side Tables



DG250P-D  
**COMPACT CHARCOAL GRILL**  
**// BLACK FINISH**

**Cooking Space** | 250 total square inches

**Dimensions** | 33.46" L x 23.54" W x 42.72" H



**Dyna-Glo**

**TABLETOP CHARCOAL GRILL //**

*BLACK FINISH*

Whether your space is big or small, you can barbecue with the best of them with this compact charcoal grill from Dyna-Glo. 250 total square inches of cooking space accommodates up to twelve 4 in. burgers or 2 whole chickens



+ Single Body Construction w/ Embossed Lid



+ Matte Enameled Cast Iron Cooking Grates



+ Removable Charcoal & Ash Tray w/ Adjustable Side Damper



+ Large Side handles



+ Adjustable Side Damper + Removable Plate



DG250T-D  
**COMPACT CHARCOAL GRILL**  
**// BLACK FINISH**

**Cooking Space** | 250 total square inches

**Dimensions** | 23.2"L x 19.6"W x 20.4"H





Dyna-Glo

# PELLET GRILLS //

Gas Grills .....	8
Charcoal Grills.....	28
Smokers .....	56





**WOOD PELLET GRILL W/ CABINET //**

*BLACK FINISH*

This Dyna-Glo Signature Series 706 Total Sq. In. Wood Pellet Grill and Smoker features the ability to sear, smoke, bake, braise, roast and grill like a pro. Equipped with an adjustable damper that allows you to quickly raise the surface temperature of the matte enameled cast iron cooking grates to over 500 degrees with the lid open.



+ 200 W Ignition Rod for quick ignition of Pellets



+ Direct Cook System with Adjustable Flywheel for Searing



+ Porcelain Coated Wire Grates and Warming Rack



+ Digital Push Button & Dial Controls



+ 20 lbs Hopper Capacity and Pellet Window



+ Cabinet + 4 Caster Wheels (2 locking)



DGSS700BPW-D

**COMPACT CHARCOAL GRILL  
// BLACK FINISH**

**Cooking Space** | 697 total square inches

**Dimensions** | 48.5"L x 22"W x 51"H





**LARGE WOOD PELLET GRILL //**

*BLACK FINISH*

This Dyna-Glo Signature Series 706 Total Sq. In. Wood Pellet Grill and Smoker features the ability to sear, smoke, bake, braise, roast and grill like a pro. Equipped with an adjustable damper that allows you to quickly raise the surface temperature of the matte enameled cast iron cooking grates to over 500 degrees with the lid open.



+ Digital Push Button & Dial Controls



+ Direct Cook System with Adjustable Flywheel for Searing



+ Porcelain Coated Wire Grates and Warming Rack



+ Rear Pellet Hopper Clean-Out



+ Two Meat-Probes w/ Integrated Jacks



+ 20 lbs. Hopper Capacity



DGSS7002BPW-D

**LARGE WOOD PELLET GRILL  
// BLACK FINISH**

**Cooking Space** | 706 total square inches

**Dimensions** | 48"L x 26"W x 51"H





**COMPACT WOOD PELLET GRILL //**

*BLACK FINISH*

This 16 lb. pellet hopper is top loading and provides approximately 24 hours of burn time. Temperatures are thermostatically controlled, with the turn of a dial or push of a button, to help keep your grilling or smoking temperature right where you need it.



+ Digital Push Button & Dial Controls



+ Direct Cook System with Adjustable Flywheel for Searing



+ Porcelain Coated Wire Grates and Warming Rack



+ Rear Pellet Hopper Clean-Out



+ Two Meat-Probes w/ Integrated Jacks



+ 16 lbs. Hopper Capacity



DGSS450BPW-D

**COMPACT CHARCOAL GRILL  
// BLACK FINISH**

**Cooking Space** | 332 total square inches

**Dimensions** | 43"L x 24"W x 47"

Dyna-Glo

# SMOKERS //

Gas Grills .....	8
Charcoal Grills.....	28
Pellet Grills .....	48





**WIDE BODY VERTICAL LP GAS SMOKER //**

*BLACK FINISH*

Eliminate the hassle of propane or charcoal while maximizing the smoke flavor in your BBQ food with the 30" Analog Electric Smoker. Easily add wood chips with a side access wood chip loader without losing any smoke or heat. Control the temperature manually with the manual-control temperature dial, and monitor for precise heating with the stainless temp gauge.



+ Adjustable Smoke Stack



+ High Temperature Rope Seal - Upper & lower Door



+ Enameled Steel Water Bowl & Wood Chip Box w/ Lid



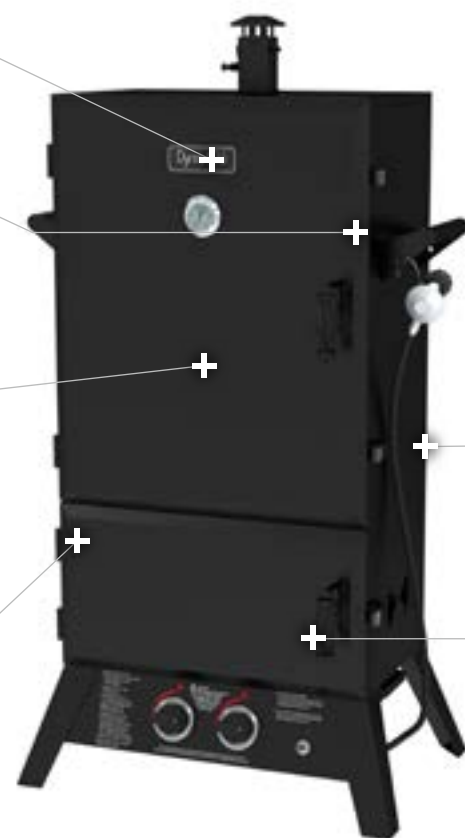
+ Height Adjustable Cooking Grates



+ Dual 10k BTU Cast Iron Burners w/ Electronic Pulse Ignition



+ Removable Rib Rack and Pre-Installed Sausage Hooks



DGW1904BDP-D  
**WIDE BODY VERTICAL LP GAS SMOKER //**  
**BLACK FINISH**

**Cooking Space** | 1,904 total square inches  
**Dimensions** | 31.57"L x 20.54"W x 57.09"H



DGW1235BDP-D  
**WIDE BODY VERTICAL LP GAS SMOKER //**  
**BLACK FINISH**

**Cooking Space** | 1,235 total square inches  
**Dimensions** | 31.57"L x 20.54"W x 50.19"H



# Dyna-Glo

## VERTICAL LP GAS SMOKER //

BLACK FINISH

Eliminate the hassle of propane or charcoal while maximizing the smoke flavor in your BBQ food with the 30" Analog Electric Smoker. Easily add wood chips with a side access wood chip loader without losing any smoke or heat. Control the temperature manually with the manual-control temperature dial, and monitor for precise heating with the stainless temp gauge.



+ Adjustable Smoke Stack



+ Quick Release Door Latches



+ Enameled Steel Water Bowl & Wood Chip Box w/ Lid



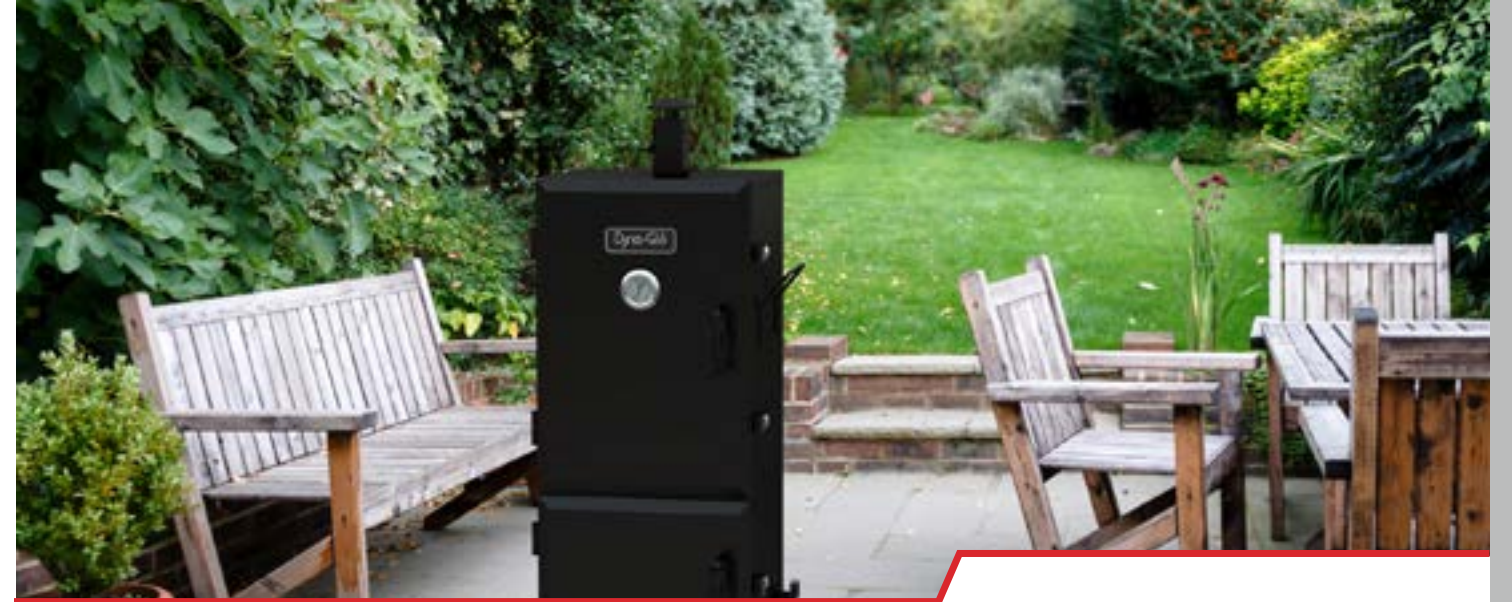
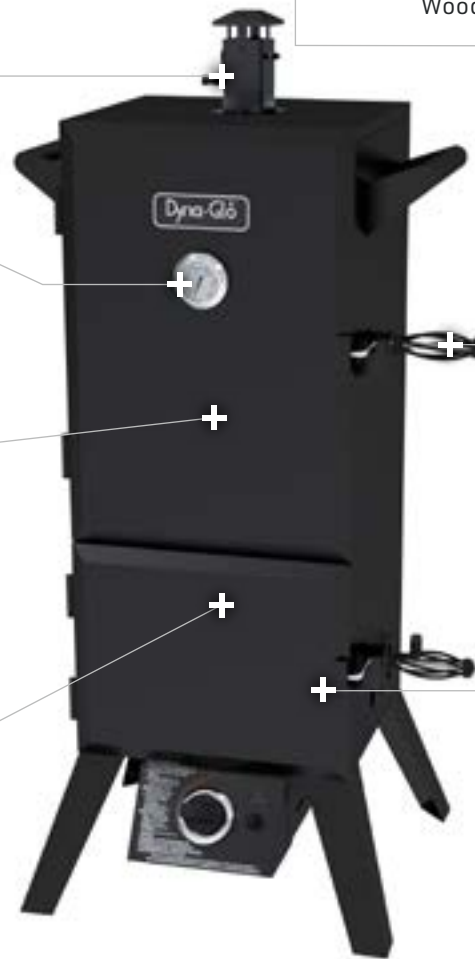
+ Stainless Temp Gauge with "Smoke Zone" Indicator



+ Four Height-Adjustable Cooking Grates



+ 15k BTU, Cast-Iron Burner with Electronic Pulse Ignition



DGY784BDP  
**VERTICAL LP GAS SMOKER**  
**// BLACK FINISH**

**Cooking Space** | 784 total square inches

**Dimensions** | 27"L x 19.17" W x 50.19"H



**WIDE BODY CHARCOAL OFFSET SMOKER //**

*BLACK FINISH*

The offset functionality of the smoker keeps direct heat away from food to give an even distribution of heat and smoke. The primary door features a pre-installed seal that retains heat and minimizes heat and smoke loss and provides improved smoke efficiency. So whether you're cooking turkey, meat, fish or vegetables, this smoker can handle it all.



+ Removable Rib Rack and Pre-Installed Sausage Hooks



+ Adjustable Smoke-Stack



+ Charcoal & Ash Management System w/ removable high-capacity ash pan



+ Stainless Temperature Gauge w/ "Smoke Zone" Indicator



+ Six Height Adjustable Cooking Grates



+ High Temperature Rope Seal



DGO1890BDC-D  
**CHARCOAL OFFSET SMOKER**  
**// BLACK FINISH**

**Cooking Space** | 1,890 total square inches

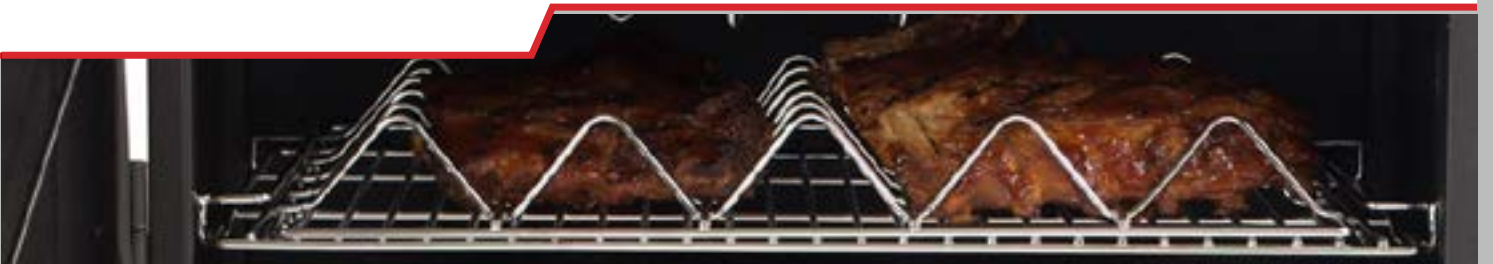
**Dimensions** | 43.3"L x 21"W x 50.2"H



DGO1176BDC-D  
**COMPACT CHARCOAL GRILL**  
**// BLACK FINISH**

**Cooking Space** | 1,176 total square inches

**Dimensions** | 35"L x 21"W x 50.2"H







**VERTICAL OFFSET CHARCOAL SMOKER //**

*BLACK FINISH*

Get the best of both worlds with the Signature Series Heavy-Duty Vertical Offset Charcoal Smoker & Grill from Dyna-Glo. This multifunctional smoker lets you have it all with both grilling and offset smoking capacity. Smoke your pork shoulder low and slow or grill up burgers for the crew.



+ Adjustable Smoke Stack



+ Preinstalled Sausage Hooks



+ Five Chrome Plated Cooking Grates



+ Commercial Temperature Gauge



+ Removable Ash & Charcoal Tray in Firebox



+ Firebox with 287 sq. in. cooking grates



DGSS1382VCS  
**VERTICAL OFFSET CHARCOAL SMOKER**  
**// BLACK FINISH**

**Cooking Space** | 1,382 total square inches  
**Dimensions** | 45.5" L x 24.9" W x 58.8" H





## HEAVY DUTY VERTICAL CHARCOAL SMOKER //

BLACK FINISH

The offset functionality of the smoker keeps direct heat away from food to give an even distribution of heat and smoke. The primary door features a pre-installed seal that retains heat and minimizes heat and smoke loss and provides improved smoke efficiency. So whether you're cooking turkey, meat, fish or vegetables, this smoker can handle it all.



+ Adjustable Smoke-Stack



+ Adjustable Side Damper



+ Charcoal & Ash Management System w/ removable high-capacity ash pan



+ Pre-Installed Sausage Hooks



+ Commercial Grade Temperature Gauge



+ Three Chrome-Plated Cooking Grates



DGSS681VCS-D

### HEAVY DUTY VERTICAL CHARCOAL SMOKER // BLACK FINISH

Cooking Space | 681 total square inches

Dimensions | 26.77"L x 23.15"W x 44.2"H



**Dyna-Glo**

**VERTICAL CHARCOAL SMOKER //**

*BLACK FINISH*

The offset functionality of the smoker keeps direct heat away from food to give an even distribution of heat and smoke. The primary door features a pre-installed seal that retains heat and minimizes heat and smoke loss and provides improved smoke efficiency. So whether you're cooking turkey, meat, fish or vegetables, this smoker can handle it all.



+ Adjustable Smoke-Stack



+ Adjustable Upper and Lower Door Latches



+ Charcoal & Ash Management System w/ removable high-capacity ash pan



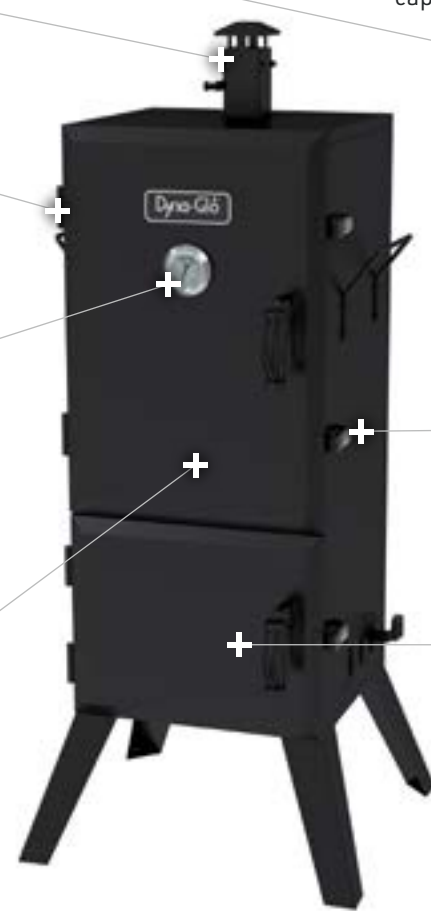
+ Adjustable Side Dampers



+ Stainless Temperature Gauge w/ "Smoke Zone" Indicator



+ Four Height-Adjustable Cooking Grates



DGX780BDC-D  
**VERTICAL CHARCOAL SMOKER**  
**// BLACK FINISH**

**Cooking Space** | 784 total square inches

**Dimensions** | 21.65"L x 20.83"W x 50.2"H



# Dyna-Glo

## BLUETOOTH ELECTRIC SMOKER //

STAINLESS STEEL AND BLACK FINISH

The offset functionality of the smoker keeps direct heat away from food to give an even distribution of heat and smoke. The primary door features a pre-installed seal that retains heat and minimizes heat and smoke loss and provides improved smoke efficiency. So whether you're cooking turkey, meat, fish or vegetables, this smoker can handle it all.



+ Digital Push Button Controls



+ Insulated Double Wall Firebox and Door



+ Lower Access Drawer to Water Bowl and Wood Chip Box



+ Integrated Meat Thermometer



+ Removable Rib Rack and Sausage Hooks



+ Four Chrome Plated Cooking Grates



DGU732SDE-D  
**BLUETOOTH ELECTRIC SMOKER**  
**// STAINLESS STEEL AND BLACK FINISH**

Cooking Space | 732 total square inches

Dimensions | 19.4"L x 19"W x 32.5"H



**Dyna-Glo**

**ANALOG ELECTRIC SMOKER //**

*BLACK FINISH*

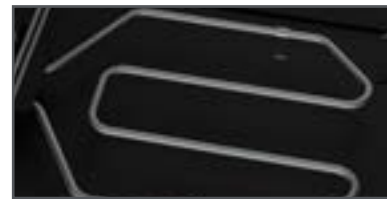
Eliminate the hassle of propane or charcoal while maximizing the smoke flavor in your BBQ food with the 30" Analog Electric Smoker. Easily add wood chips with a side access wood chip loader without losing any smoke or heat. Control the temperature manually with the manual-control temperature dial, and monitor for precise heating with the stainless temp gauge.



+ Analog Temperature Gauge w/ "Smoke Zone" Indicator



+ Side Access Wood Chip Loader



+ 1,500 Watt Burner



+ Insulated Double-Wall Firebox and Door



+ Three Chrome Plate Cooking Grates



+ Variable Temperature Control Dial



DGU505BAE-D  
**ANALOG ELECTRIC SMOKER**  
**// BLACK FINISH**

**Cooking Space** | 505 total square inches

**Dimensions** | 23.5"L x 18.4"W x 35.9"H



**Dyna-Glo**

**BULLET CHARCOAL SMOKER //**

*HIGH GLOSS GREEN FINISH*

The Dyna-Glo Compact Charcoal Bullet Smoker boasts versatile cooking options and thorough heat distribution in a compact space. The removable middle section offers grilling and smoking functionality. This smoker offers a maintenance free cooking experience with a high capacity aluminized steel charcoal and ash chamber.



+ Chrome Plated Steel Cooking Grates



+ Removable Mid-Section  
Converts into Portable Charcoal  
Barbecue



+ Removable Aluminum Charcoal  
and Ash Chamber



+ Durable Resin Side and Lid  
Handles



+ Insulated Double-Wall Firebox  
and Door w/ Cool Touch Handle



+ Three Chrome-Plated Latches  
and Dual Bottom Dampers



DGVS390GC-D  
**BULLET CHARCOAL SMOKER**  
**// HIGH GLOSS GREEN FINISH**

**Cooking Space** | 390 sq. in. (smoker)  
195 sq. in. (grill)

**Dimensions** | 20.8"L x 18.9"W x 27.8"H



DGVS390BC-D  
**BULLET CHARCOAL SMOKER**  
**// BLACK FINISH**

**Cooking Space** | 390 sq. in. (smoker)  
195 sq. in. (grill)

**Dimensions** | 20.8"L x 18.9"W x 27.8"H





6440 W Howard St  
Niles, IL 60714-3302

(877) 447-4768  
[www.ghpgroupinc.com](http://www.ghpgroupinc.com)