

Blinds4You

Fitting Guide for Day & Night Blinds

Now you have received your new Day & Night Blind from us, fitting for your new blind is easier than you might think! All you have to do is follow our simple tips, double-check everything you do and set aside some time to do it.

This guide works for:

- Day & Night blinds

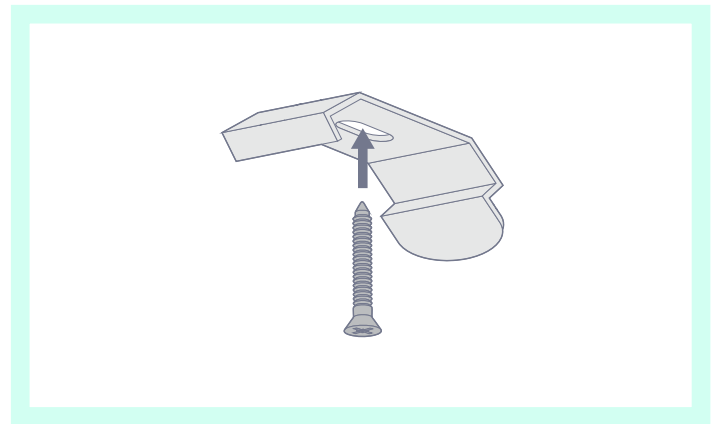
Fitting into standard window

Fitting the brackets

The brackets offer two methods of installation:

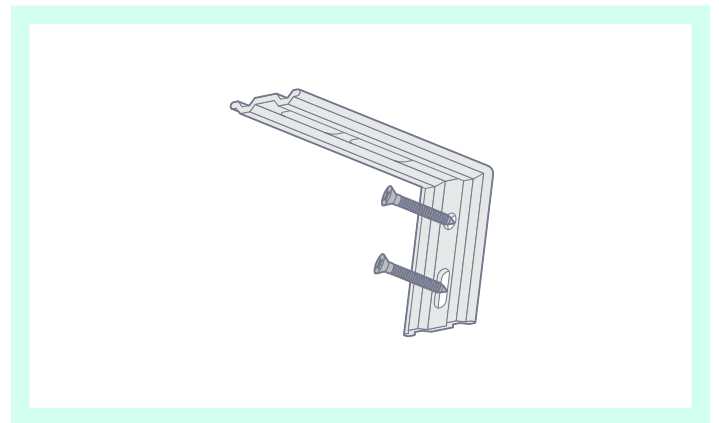
Top fixing

Fix the bracket to the ceiling of the recess or lintel using one screw through the single hole. The protruding tab on the bracket should be closest to the window.

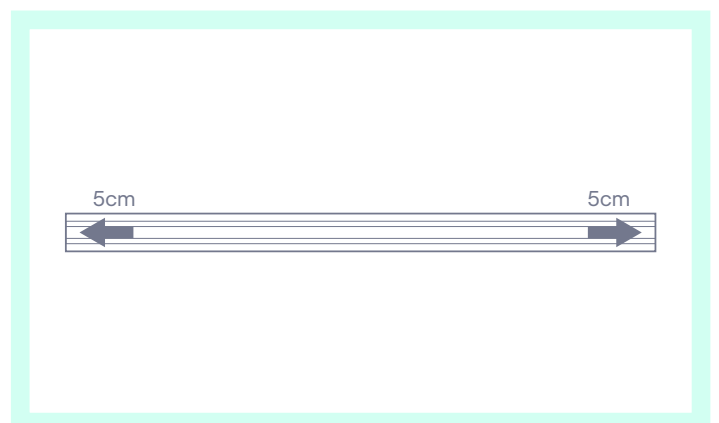


Face fixing

The L-shaped bracket for face fixing should be attached using two screws through the back plate (side without the attaching bracket) onto facing surface such as wall or window frame.

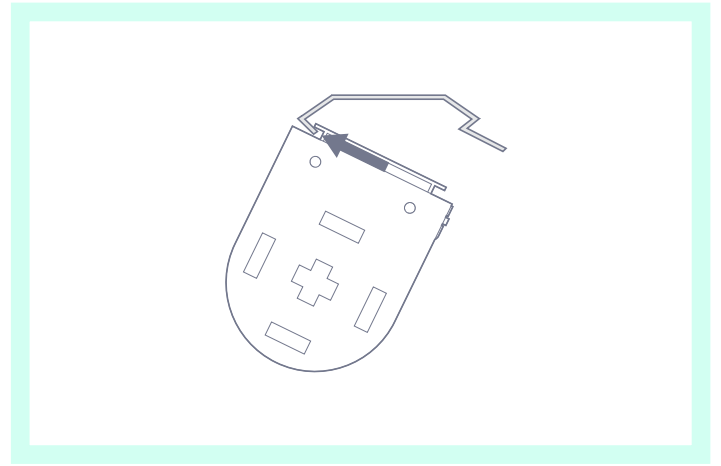


We recommend that you position the end brackets at least 50mm in from the ends of the blind. For larger blinds, distribute the additional brackets evenly across the width.

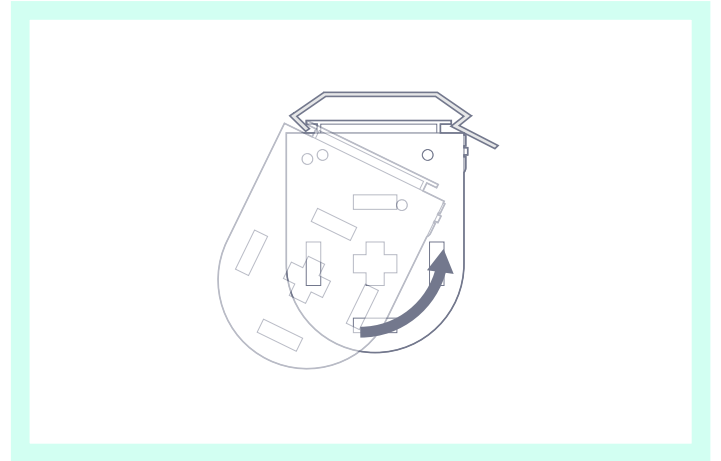


Attaching the blind

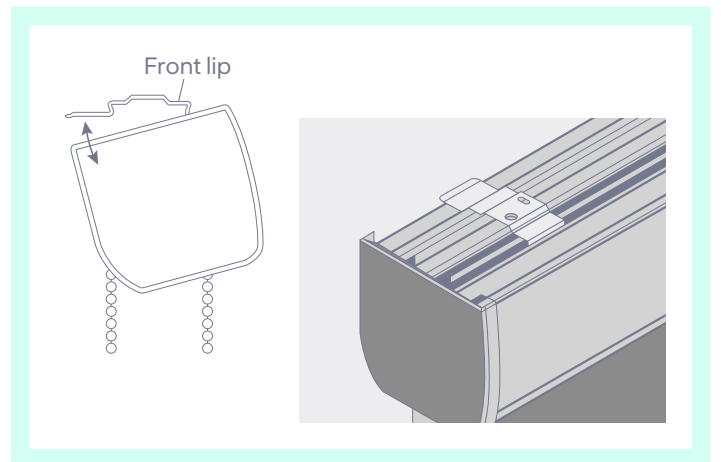
Situate the front lip of the head rail into the front of the bracket.



Push the back of the head rail upwards to lock it into the back of the bracket.



Once all the brackets are in place offer the blind to the brackets. With the cassette tilted away from you locate the front lip into the bracket and push upwards to click the cassette into the back lip of the bracket.



Should you need to release the blind, push the tab on the back of the bracket firmly up whilst twisting the blind down from the back.

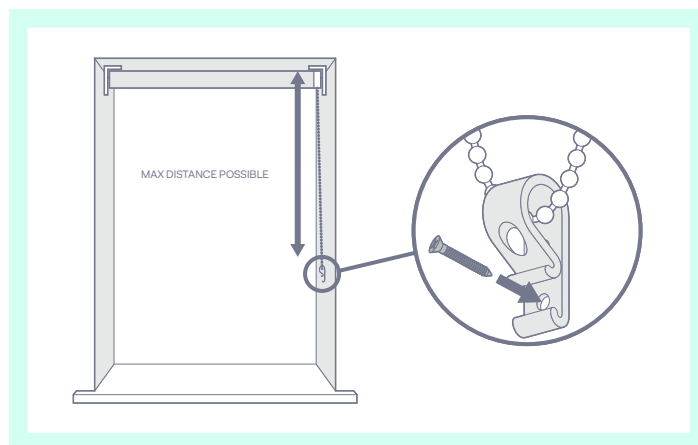


Child Safety

This blind comes with a Cord Tensioner

The cord retaining device must be installed at the maximum distance possible from the control mechanism to keep the cords taut and to prevent looped cords from becoming slack.

Handy Tip: Place the safety device on the wall and mark the positioning of the 2 screw holes with a pencil. Screw the safety device securely to the wall using suitable fixings.



Enjoy your newly installed blind from Blinds 4 You

We are here to help you enjoy your new blinds and you will find lots of other useful information on our website. If you need to contact us, please visit www.Blinds4You.co.uk/contactus for more details.