

Thank you for purchasing this sandbox product. **PLEASE READ THESE INSTRUCTIONS CAREFULLY.**

PRE-ASSEMBLY

- Check all parts are present before you start to assemble the product. Place small part on a tray or similar to ensure they are not lost. The manufacturing process can very occasionally result in sharp edges/waste material so please take care when assembling this product.
- If any parts are missing do not use the product until the replacement parts are fitted.
- Ensure your product is sited on level ground. Failure to do this may put additional stress on connections and joints and in time could cause them to fail.
- Ensure your product is located on a soft impact surface like grass. Never locate your product on hard surfaces like concrete.

WARNINGS / SAFETY ADVICE



WARNING. CHOKING HAZARD – Small parts and sharp points. Not for children under 3 years. The minimum user age is over 36 months.

WARNING. Adult assembly required. Toy must be assembled by an adult before use exactly in accordance with the instructions. Keep unassembled parts away from children. Adult supervision required.

WARNING. Remove all packaging before giving to your children.

WARNING. The activity toy is intend for outdoor domestic use only.

CAUTION! This product includes timber and/or fabric. PLEASE KEEP AWAY FROM FIRE.

Please note this is a natural product and as such should be checked for any rough surfaces before use, if required these should be lightly sanded in order to prevent injury.

It is important that you follow the assembly instructions to ensure the safe use of this product. The age recommendation for this product is clearly stated on the packaging and within this instruction leaflet. Please adhere to the age recommendation at all times.

MAINTENANCE

- All parts should be checked by an adult at the beginning of each season and at regular intervals during the usage season to ensure it is safe. Pay special attention to all connections and fastenings.
- Check all screws for tightness and tighten when required.
- The ground on which the product is set up should be cleared regularly. All objects such as stones or anything else could cause injury in the case of fall should be removed.
- Avoid locating this product in full sun for prolonged periods. If the product is stored outside in direct sunlight we recommend that it is covered to ensure longevity of use.
- Any Changes to this toy e.g. changing or adding an accessory, must be done in accordance with our instructions.
- Failure to do this will render your guarantee null and void and may make your product unsafe.

TIMBER CARE

Minor twisting, warping, cracking and any other natural occurring property of wood will occur. PLEASE NOTE: These occurrences are cosmetic and will not affect the strength or integrity of the product, if you have any concerns or queries please contact the after sales service for further assistance.

All outdoor wooden products require routine inspection and regular maintenance. After installation, a follow-up inspection should take place after one week and twice a month thereafter for the remaining life of your play products.

Maintenance should be performed at any time it is deemed necessary. As a general rule, major maintenance (wood refinishing) should be performed at six month intervals from the date of installation.

Major wooden parts: Inspect for splintering and structure defects at regular intervals. For minor splinters or chipping, lightly sanding and refinish with an exterior water repellent stain can assist.

IMPORTANT

If living in an area prone to termites, please ensure any timber is treated with termite protection. We hope you have a safe and enjoyable time using this product.

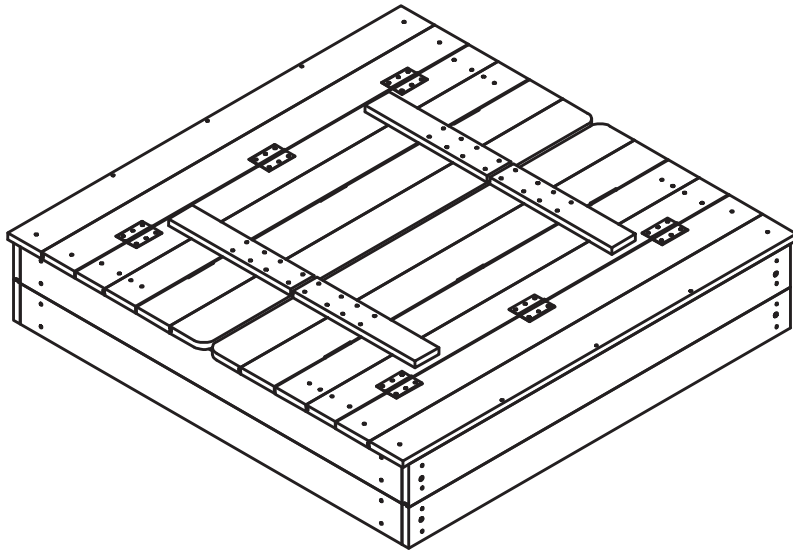
TOOLS REQUIRED



**Electrical Screwdriver or
Phillips Head Screw Driver (not supplied)**



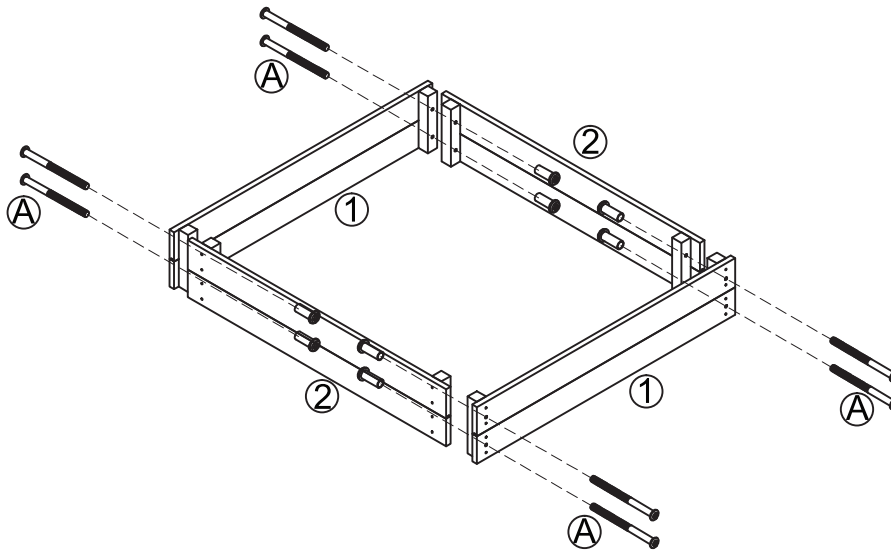
PARTS AND HARDWARE



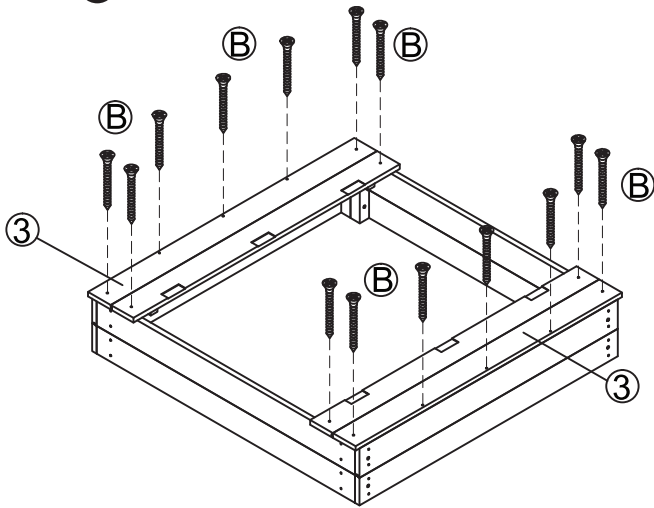
| | | | | | |
|---|--|------|---|--------------------------|-------|
| 1 | | 2pcs | A | <p>6 x 55mm</p> | 8pcs |
| | | | B | <p>3.5 x 30mm</p> | 14pcs |
| 2 | | 2pcs | C | <p>3 x 12mm</p> | 18pcs |
| | | | D | | 1pc |
| 3 | | 2pcs | E | | 1pc |
| 4 | | 2pcs | | | |

ASSEMBLY

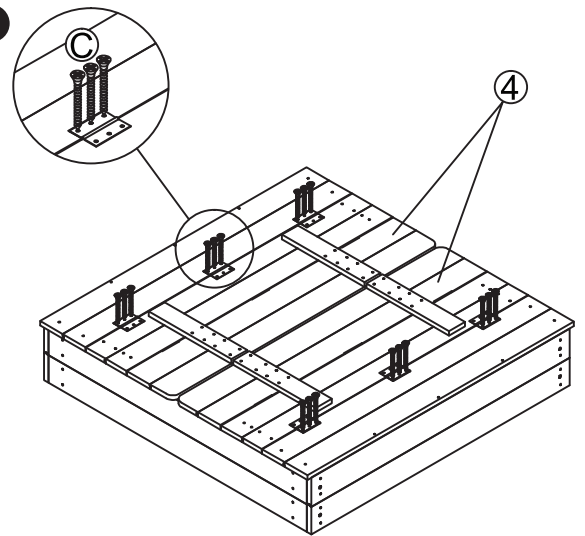
Step 1



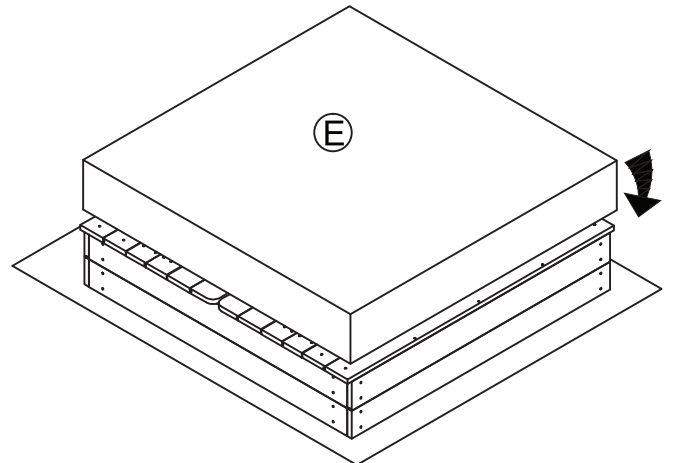
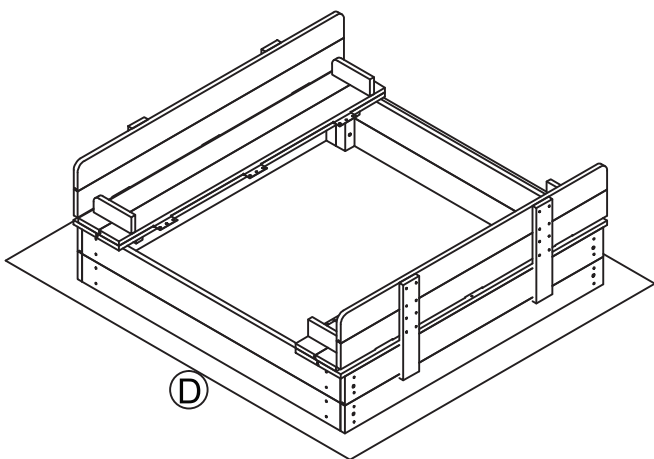
Step 2



Step 3



Step 4



Liberty House Toys
20-24 Gibraltar Row
King Edward Industrial Estate
Liverpool L3 7HJ
United Kingdom



WARNING:

**CHOKING HAZARD – Small parts.
Not for children under 3 years.**