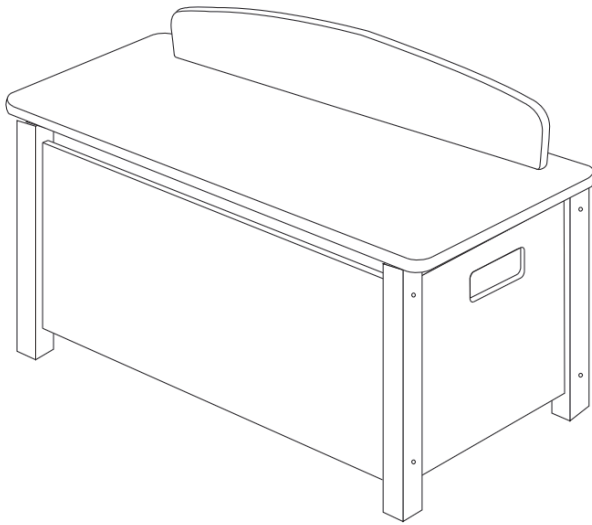
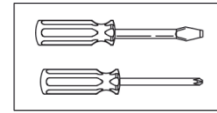
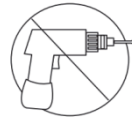


TFLH025CD Big Toy box



TOOLS REQUIRED:

1. Cross Screwdriver (not supplied)
2. Slotted Screwdriver (not supplied)



WARNING – ASSEMBLY BY ADULTS ONLY

CARE/CLEANING INSTRUCTIONS:

- Wipe furniture with a soft dry cloth, do not use paper as this may be abrasive to the finish
- The unit should be cleaned with a damp cloth and dried with a dry cloth
- Do not use bleach or chemical solutions to clean product
- Do not expose to sunlight or other heat sources for a prolonged period
- Products should not be stored or left outside
- Periodically check the tightening of screws

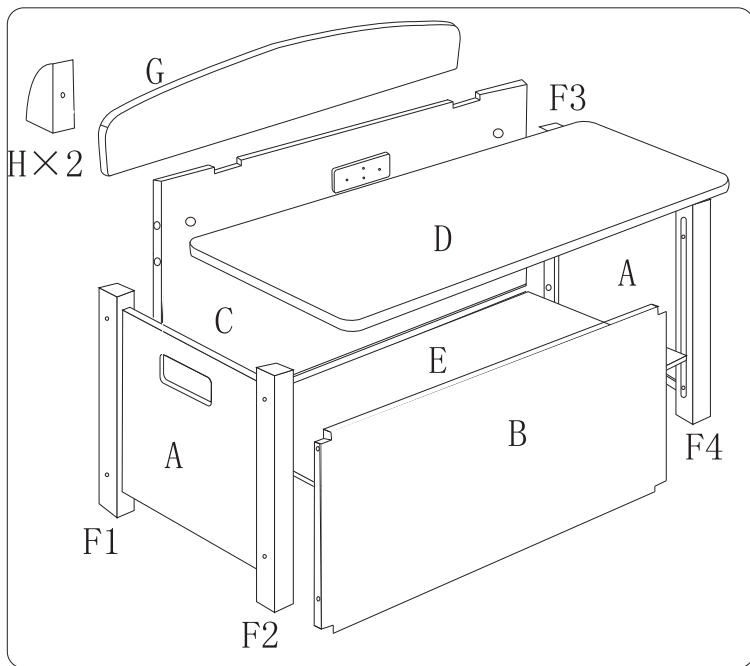
CONTACT DETAILS :

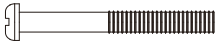

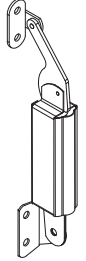


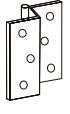




Liberty House Toys Ltd

20-24 Gibraltar Row, King Edward Industrial Estate Liverpool, L3 7HJ

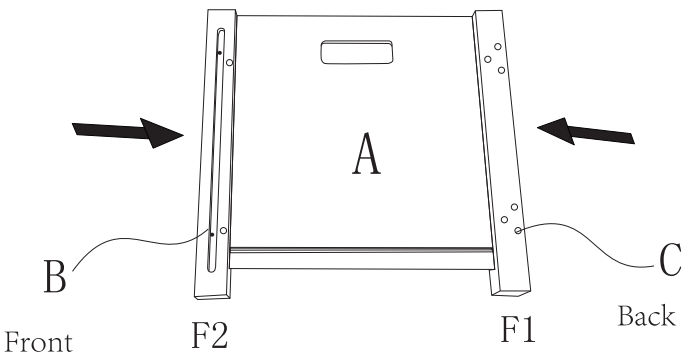
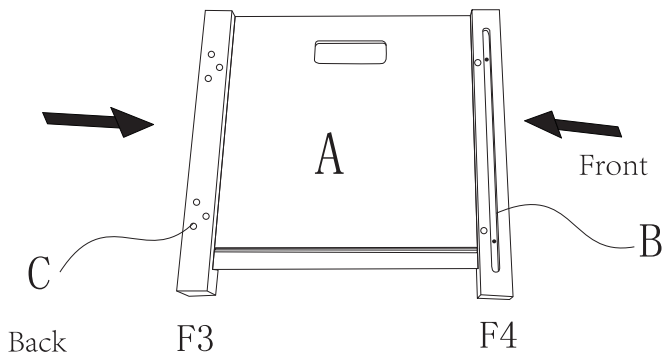
TEL: 0330 111 6938

E-MAIL: customer.services@libertyhousetoys.co.uk

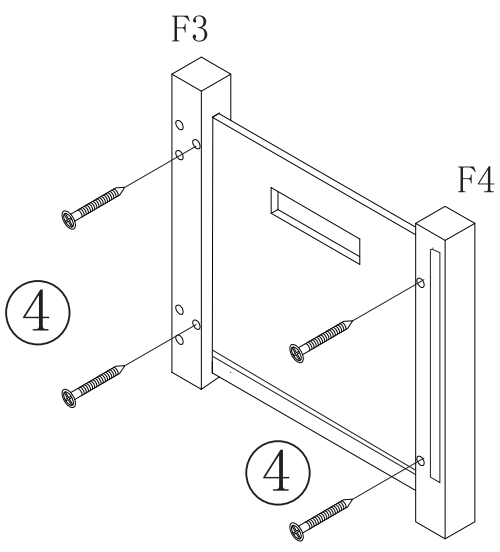
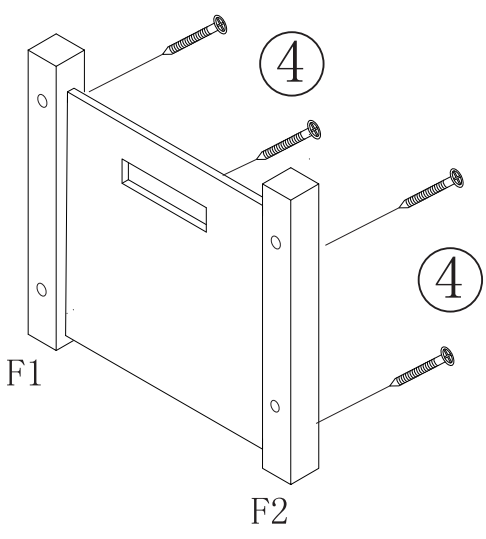


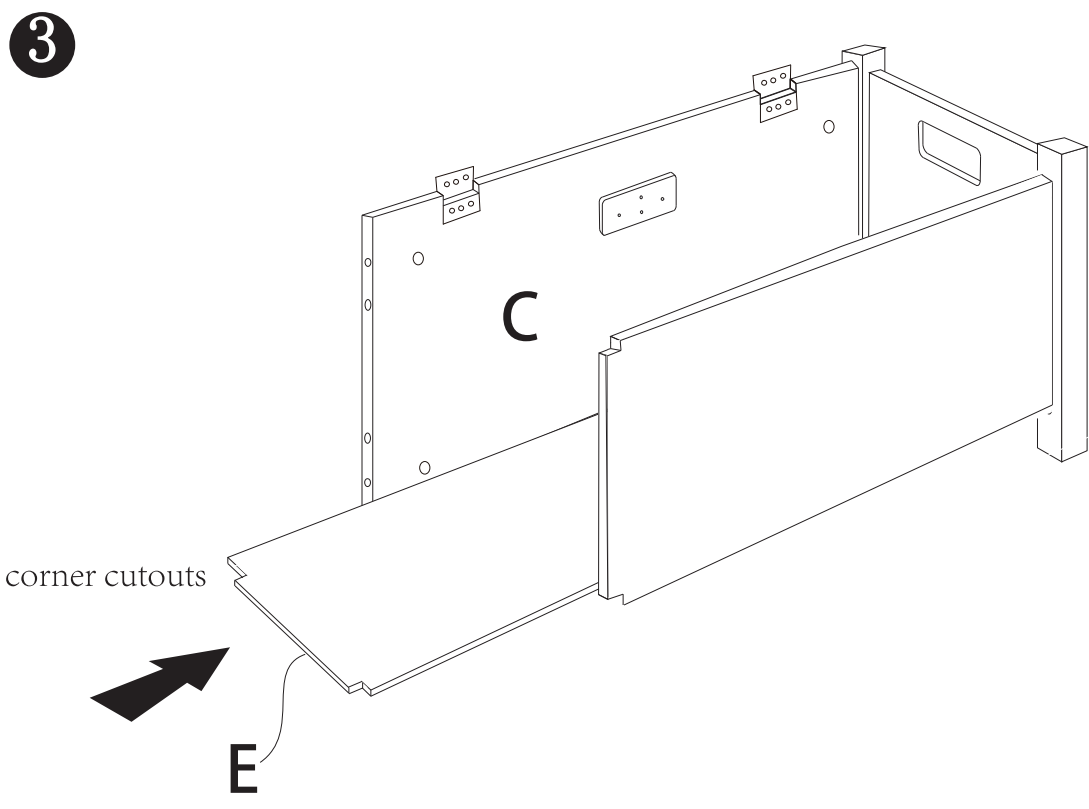
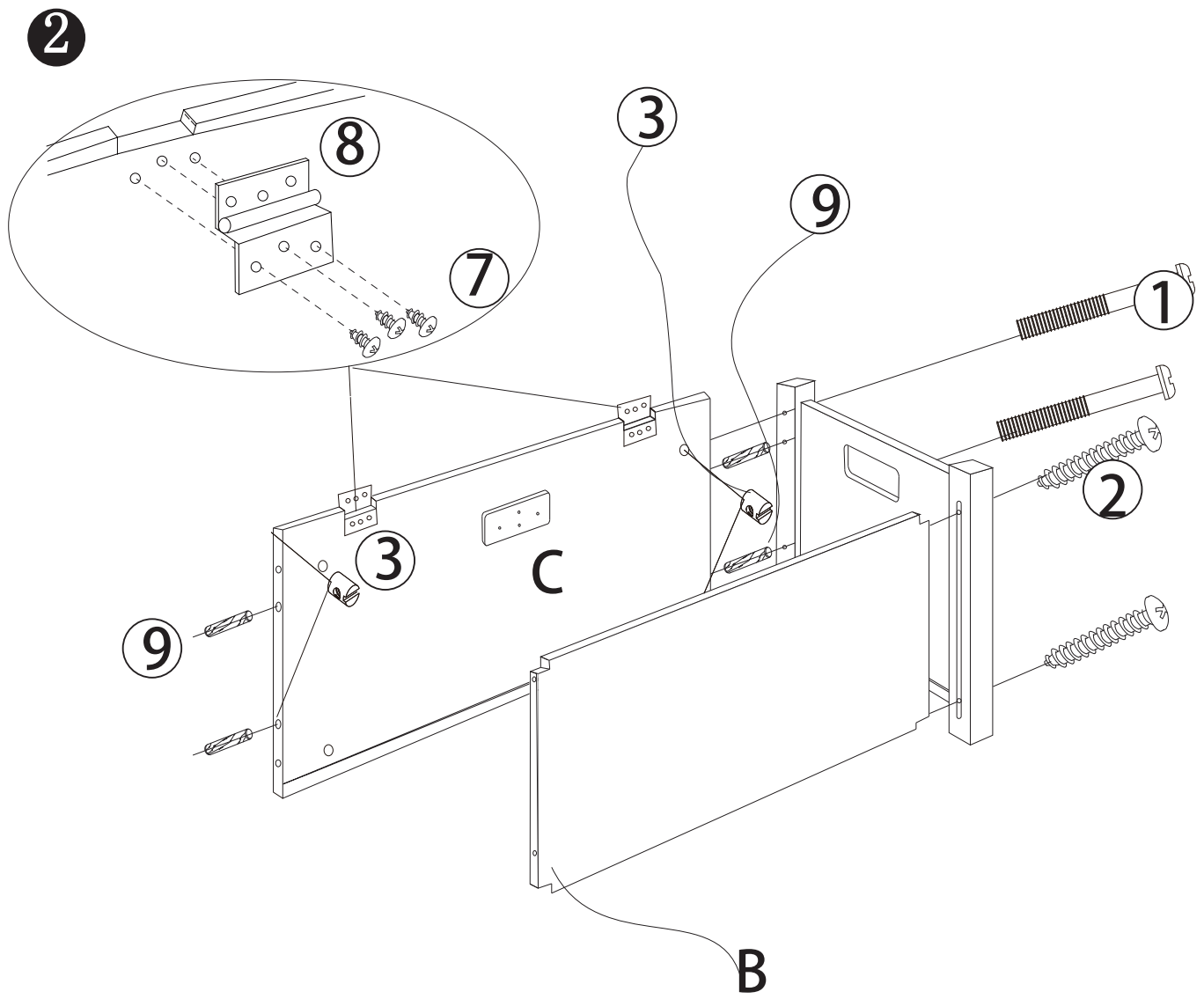
- 
 ① × 4
- 
 ② × 4
- 
 ⑤ × 1
- 
 ③ × 6
- 
 ④ × 12
- 
 ⑧ × 2
- 
 ⑥ × 4
- 
 ⑦ × 12
- 
 ⑩ × 2
- 
 ⑨ × 4


 PLEASE TAKE CARE NOT TO OVERTIGHTEN SCREWS



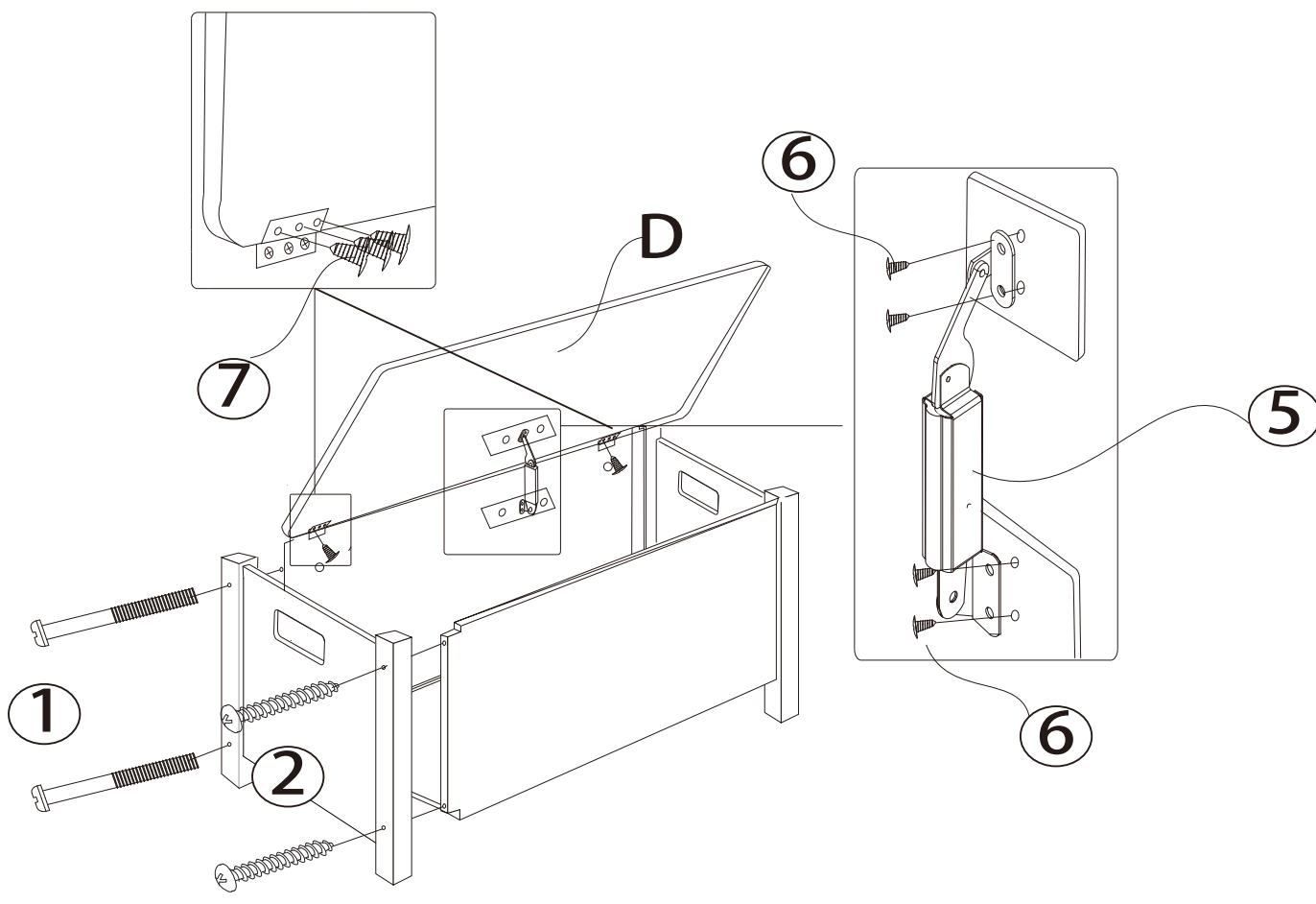
1



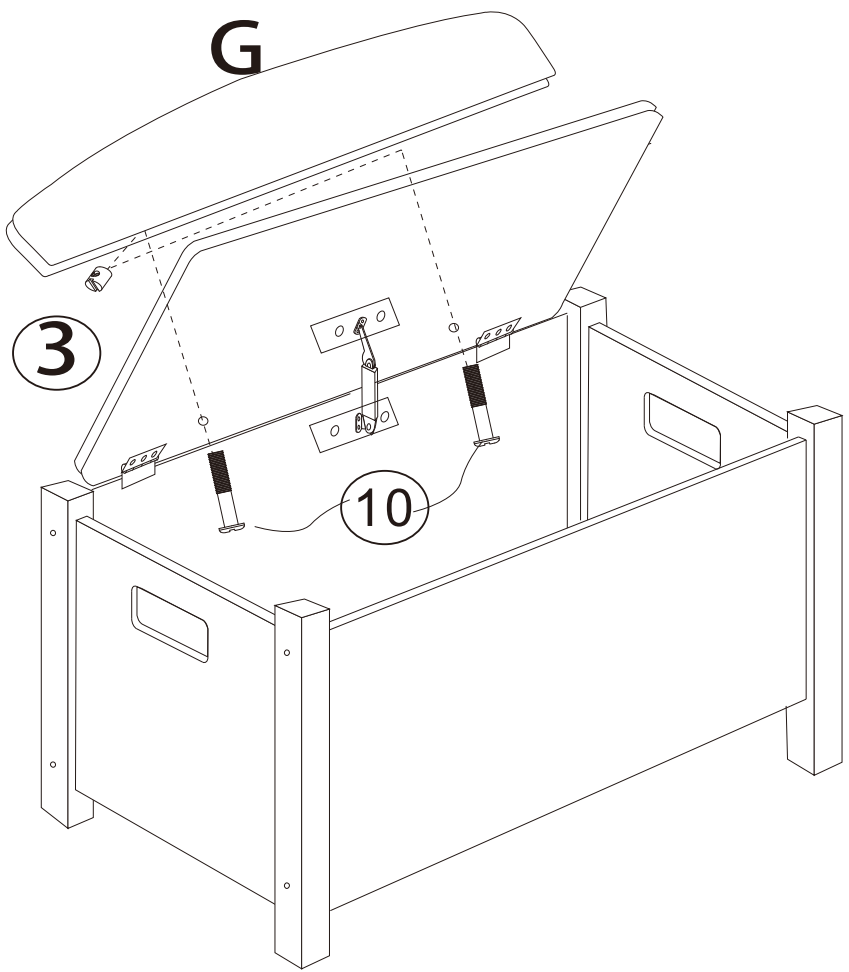


Panel E-Bigger corner cutout goes to the back panel(the one with wood block Panel C)

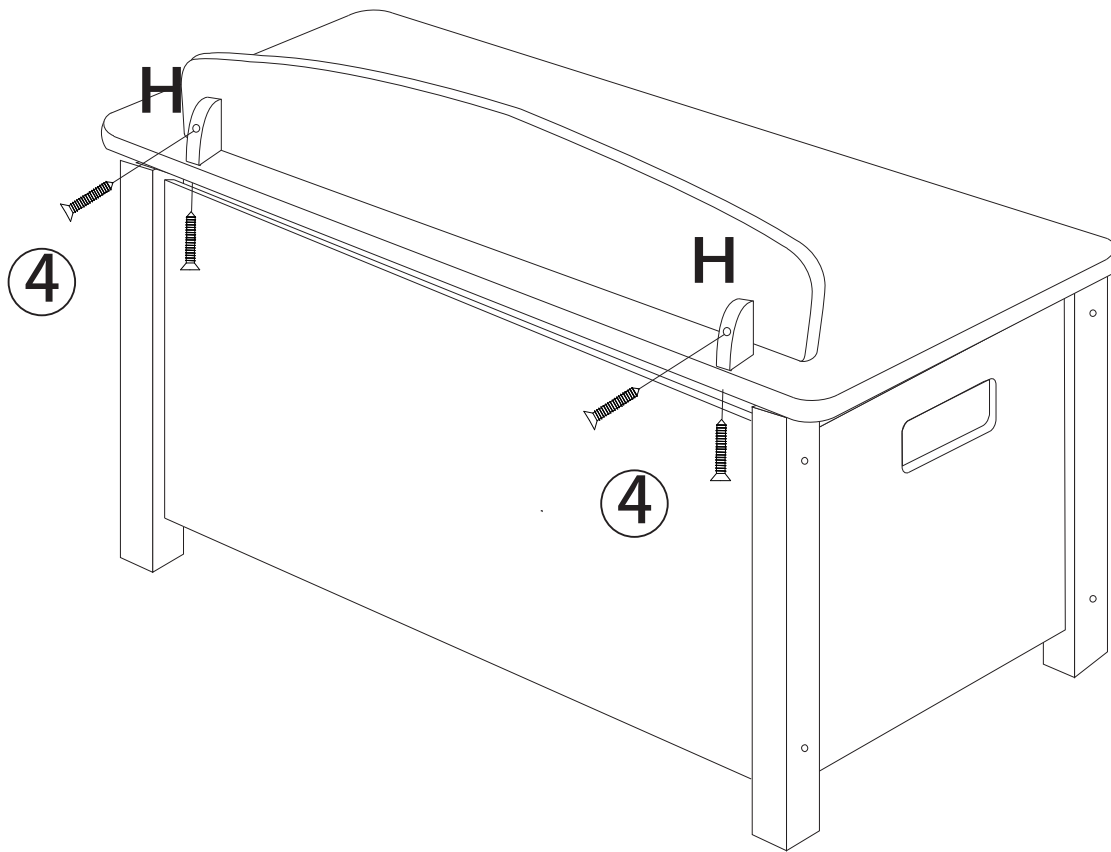
4



5



6



7

