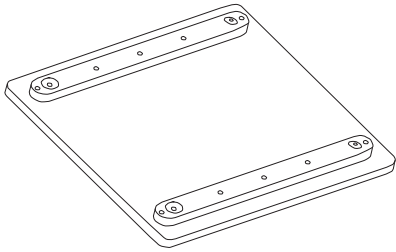
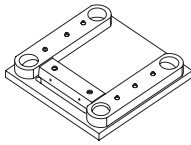


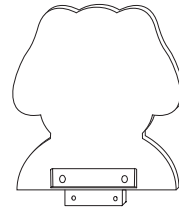
PART LIST AND HARDWARE



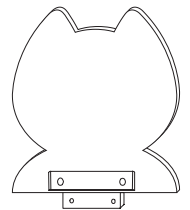
A x 1



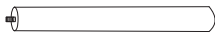
B x 2



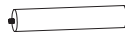
D x 1



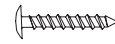
D x 1



E x 4



F x 8



G x 4

CARE/CLEANING INSTRUCTIONS

- Wipe furniture with a soft dry cloth, do not use paper as this may be abrasive to the finish.
- The set should be cleaned with a damp cloth and dried with a dry cloth.
- **DO NOT** use bleach or chemical solutions to clean the product.
- **DO NOT** expose to sunlight or other heat sources for a prolonged period.
- **DO NOT** store or leave outside.
- Periodically check the tightening of legs and screws.



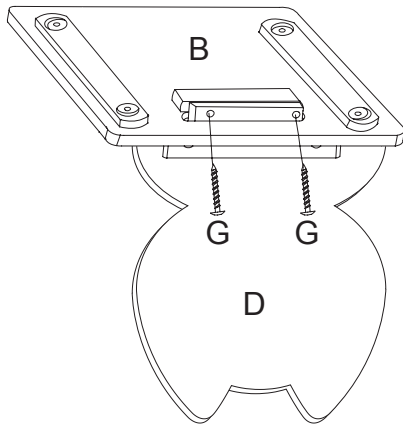
TOOLS REQUIRED:

1. Phillips Head Screw Driver (not supplied)
2. Flat Head Screw Driver (not supplied)



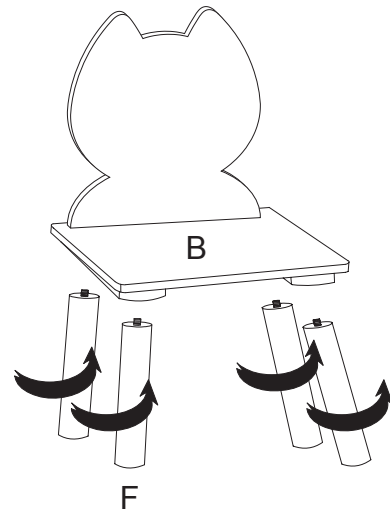
CHAIR ASSEMBLY

Step ①



Secure Seat Back D to Seat B using 2 x Screw G.
REPEAT FOR OTHER CHAIR.

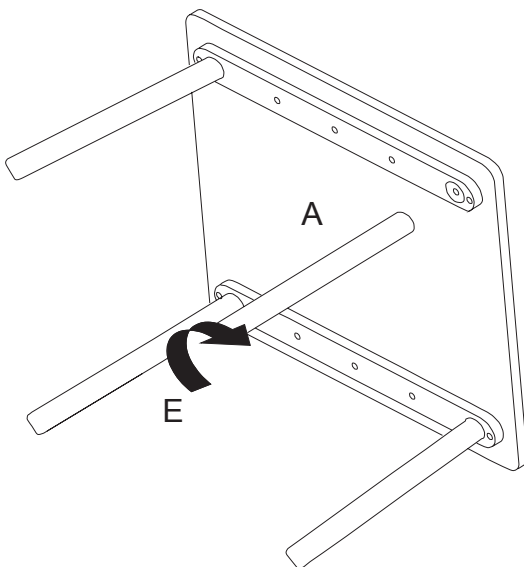
Step ②



Screw 4 x Chair Leg F in to Seat B.
REPEAT FOR OTHER CHAIR.

TABLE ASSEMBLY

Step ③



Screw 4 x Table Leg E in to Table Top A.

Complete

