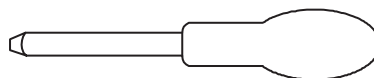


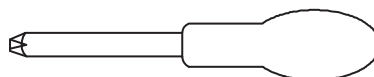
2 Person



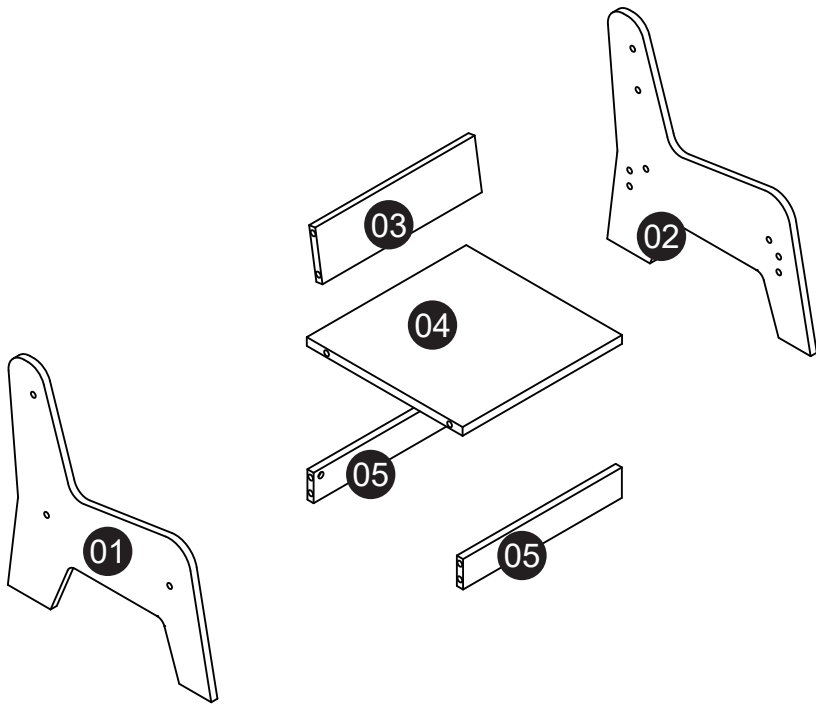
30 MIN



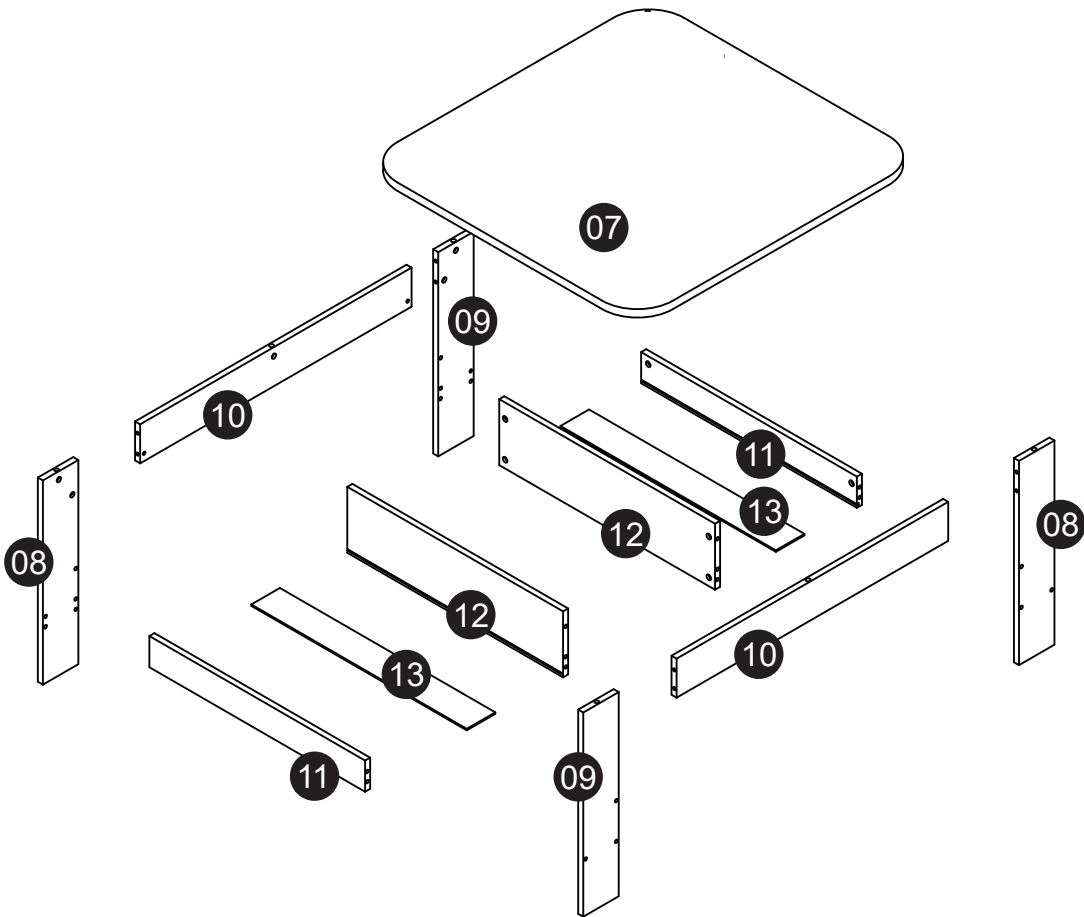
SLOTTED SCREWDRIVER(Not Provided)



POZI SCREWDRIVER(Not Provided)

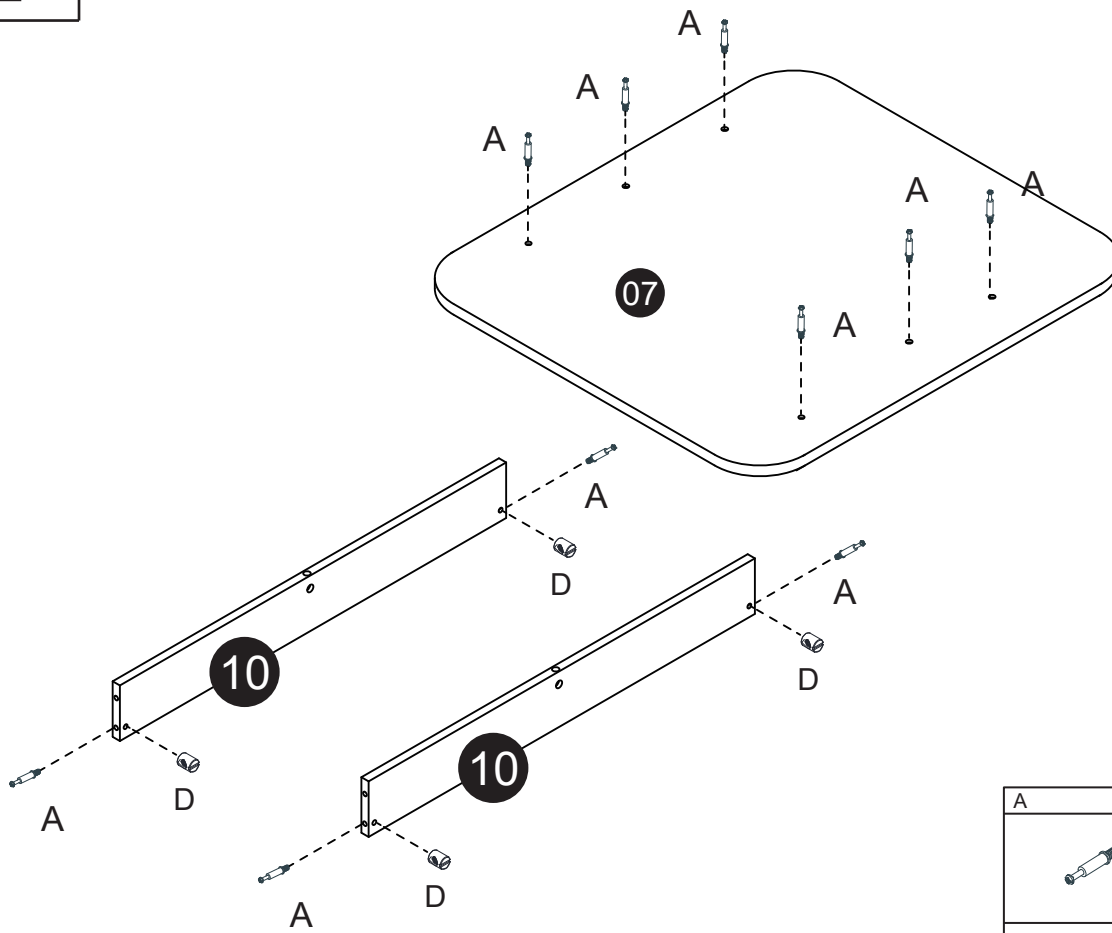




**x2**



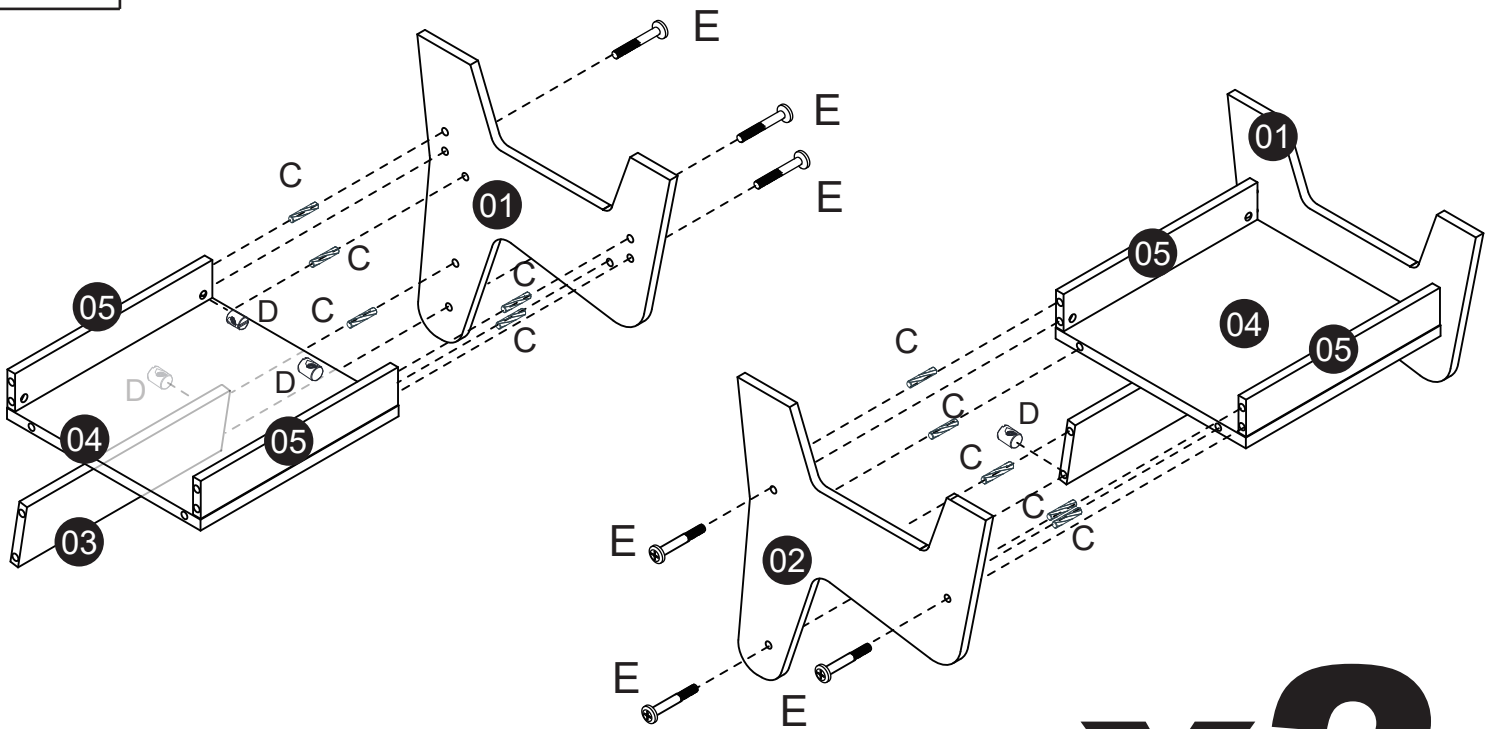
A	x 10	B	x 10	C	x 32	D	x 28	E	x 24


# 1





A	x 10	D	x 4
			

# 2



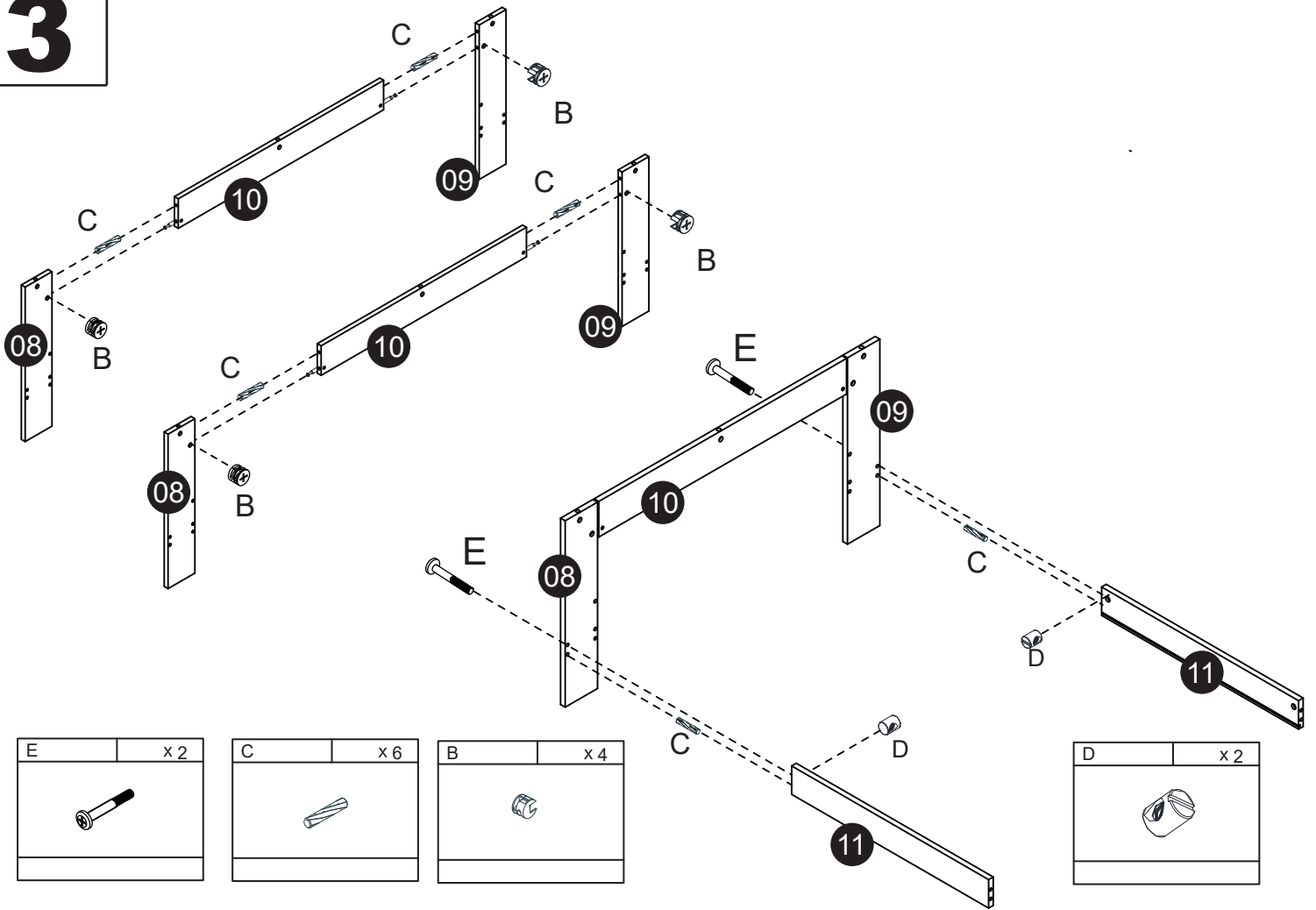
E	x 12
	

C	x 20
	

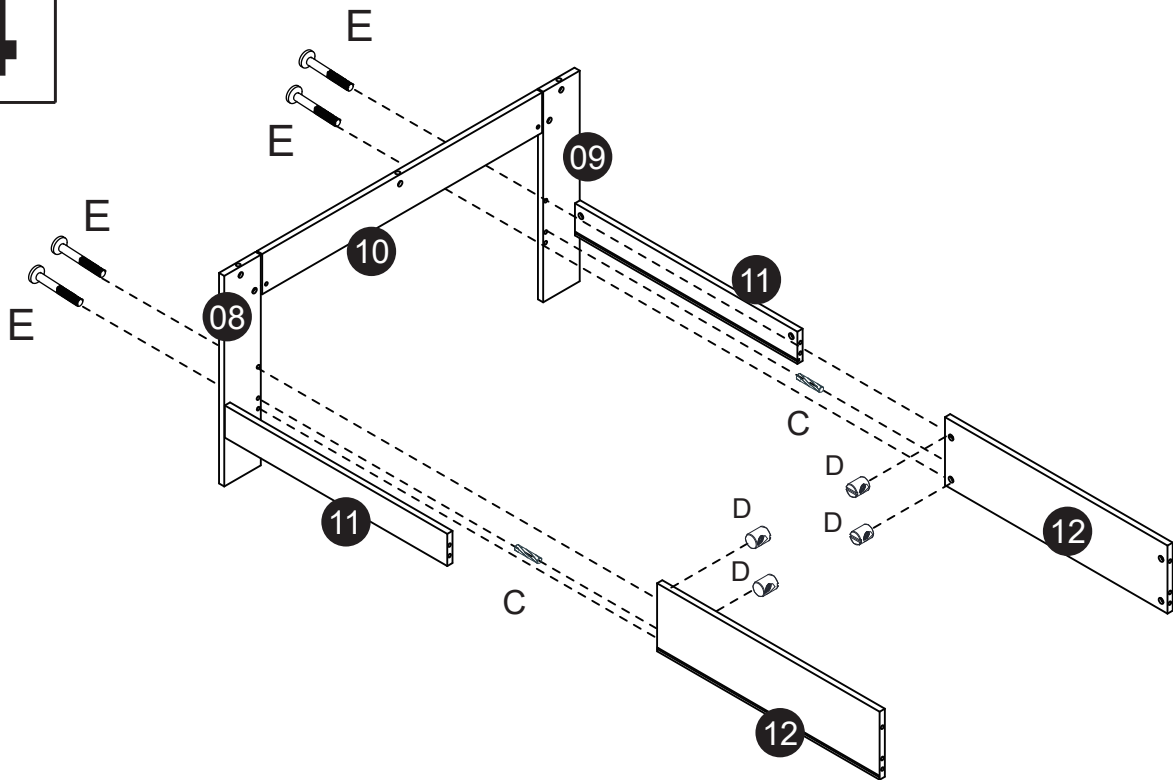
D	x 12
	

# x2

# 3



# 4

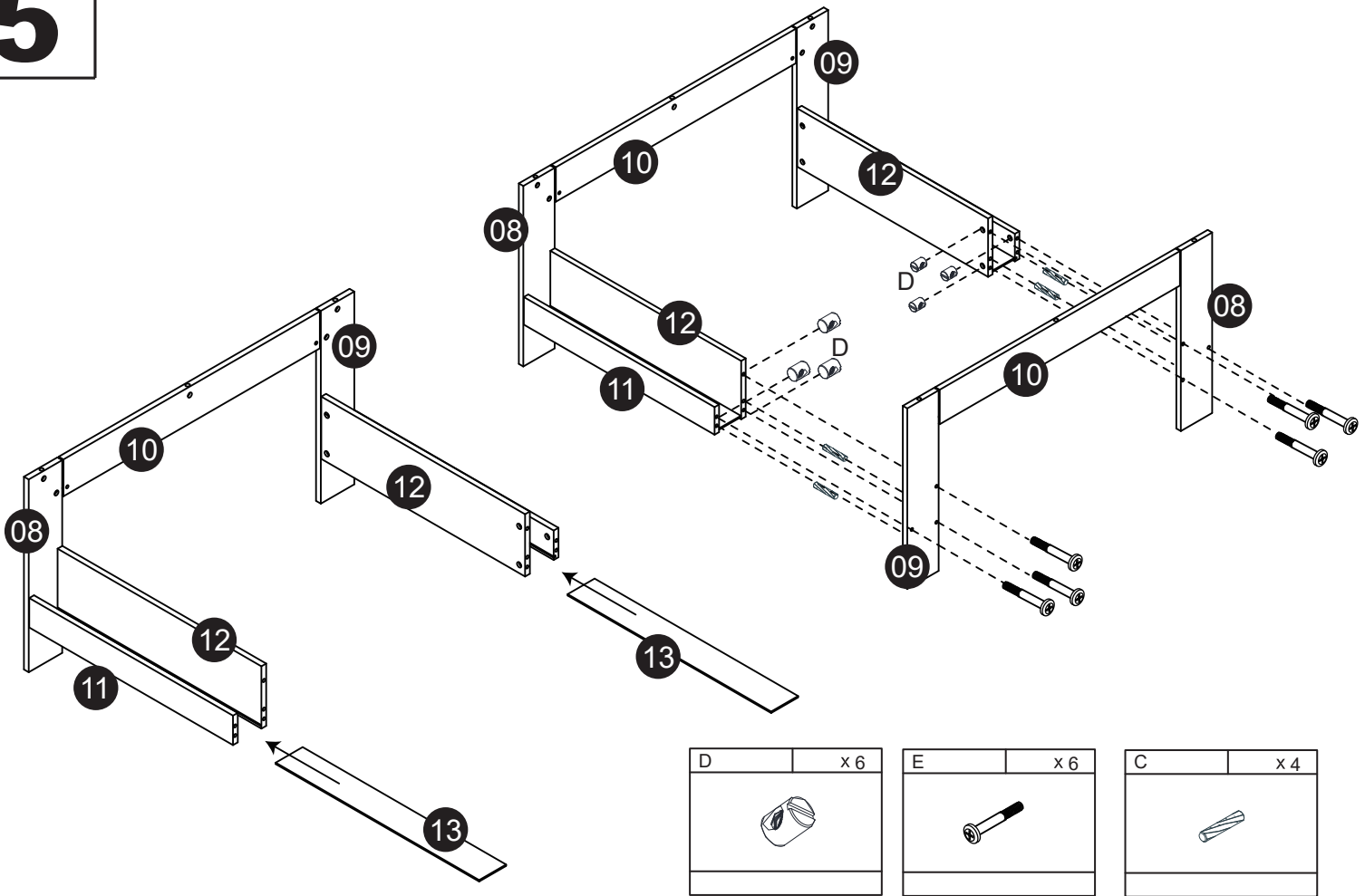


E	x4

C	x2

D	x4

# 5



# 6

