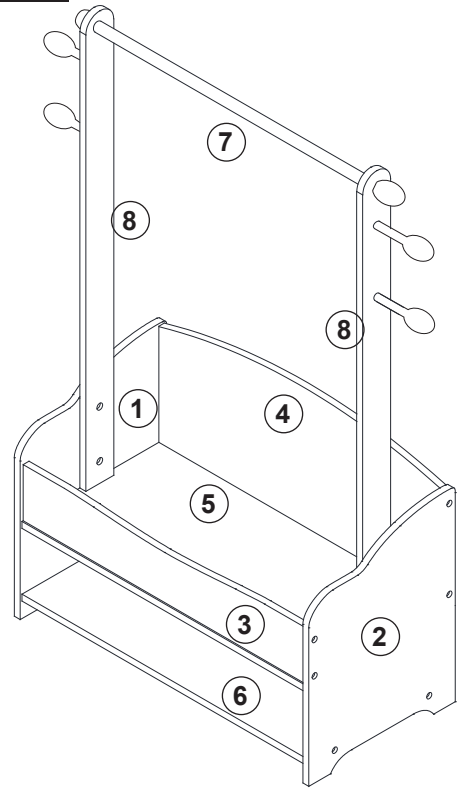


**PART LIST**



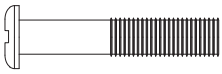
**HARDWARE**



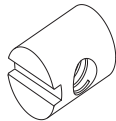
A x 4



B x 14



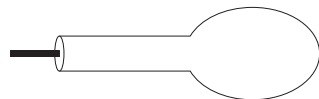
C x 12



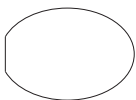
D x 12



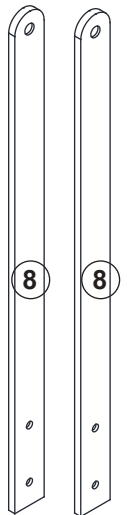
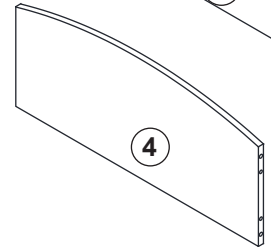
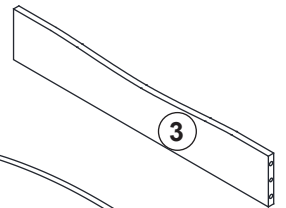
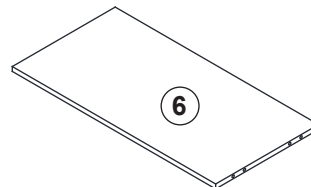
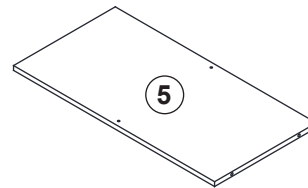
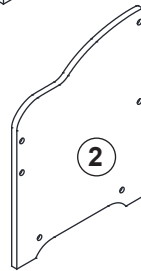
E x 2



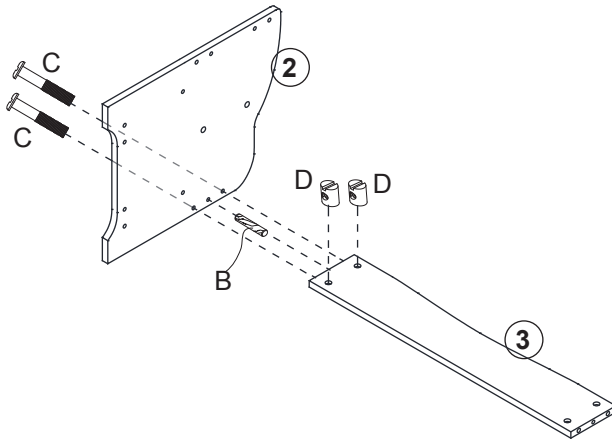
F x 4



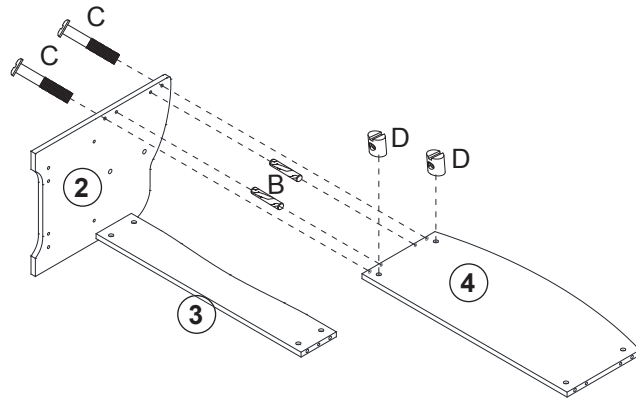
G x 2



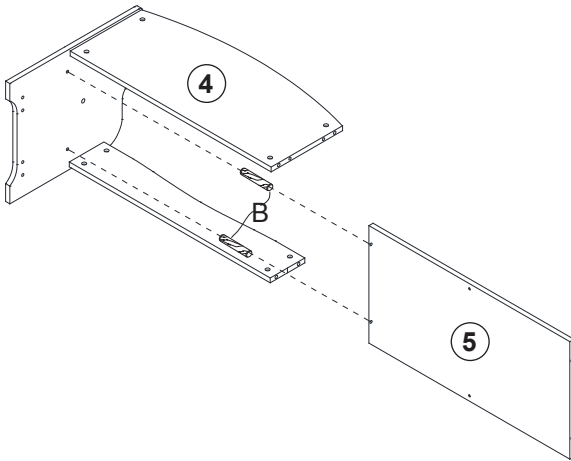
Step 1



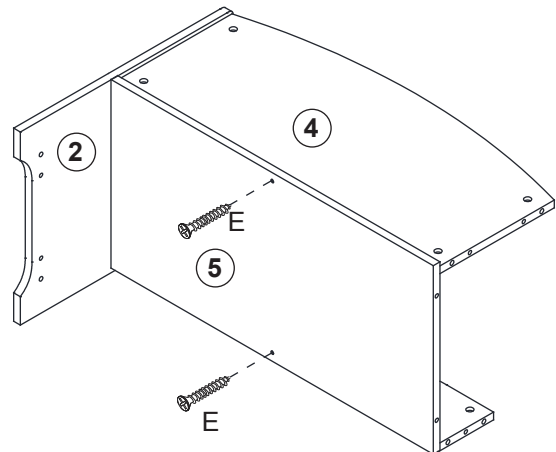
Step 2



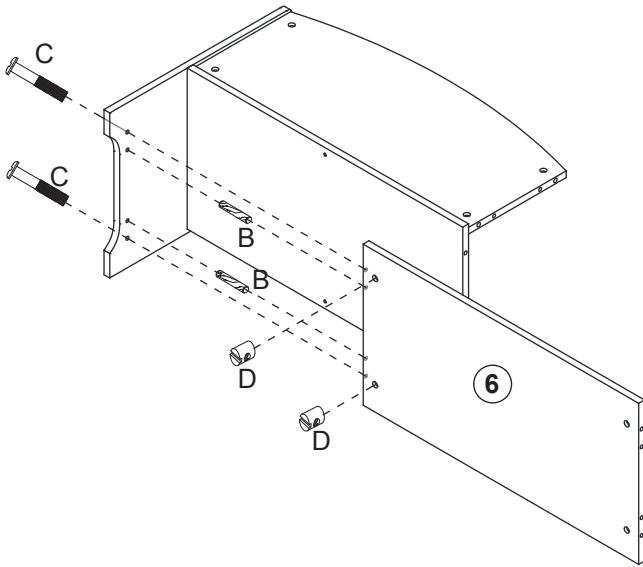
Step 3



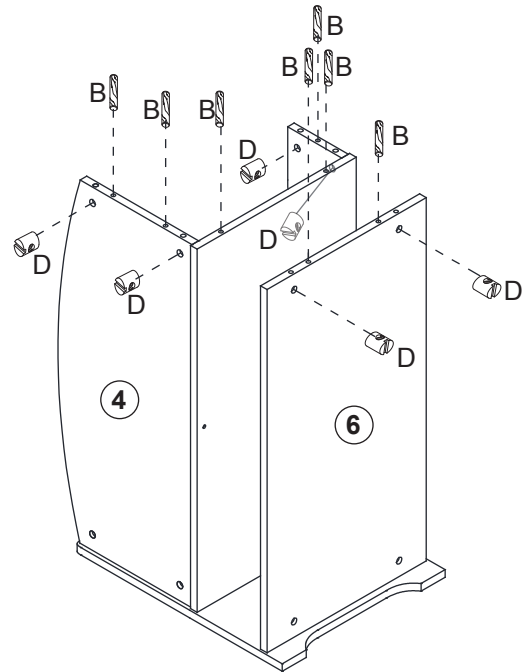
Step 4



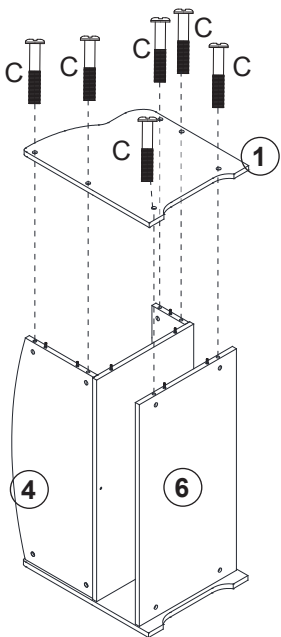
Step 5



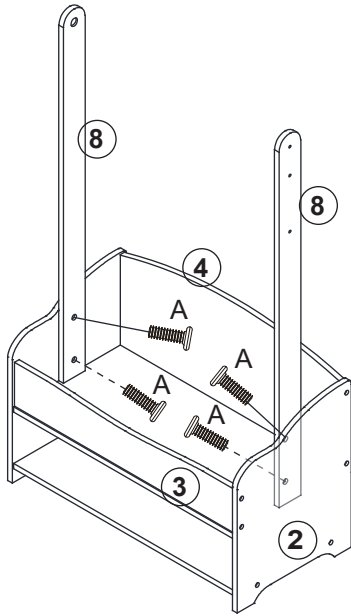
Step 6



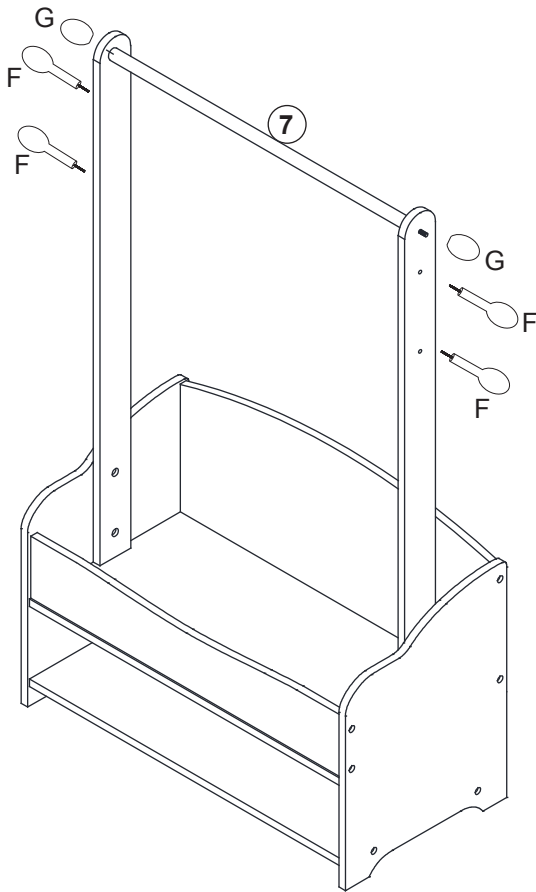
Step 7



Step 8



Step 9



COMPLETE

