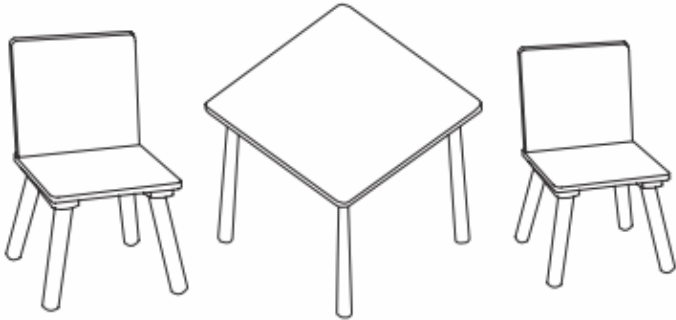
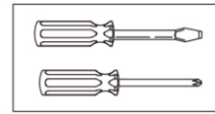


# TF6163 Table with 2 Chairs Set



## TOOLS REQUIRED:

1. Cross Screwdriver(not supplied)
2. Slotted Screwdriver(not supplied)



## WARNING – ASSEMBLY BY ADULTS ONLY

### CARE/CLEANING INSTRUCTIONS:

- Wipe furniture with a soft dry cloth, do not use paper as this may be abrasive to the finish
- The unit should be cleaned with a damp cloth and dried with a dry cloth
- Do not use bleach or chemical solutions to clean product
- Do not expose to sunlight or other heat sources for a prolonged period
- Products should not be stored or left outside
- Periodically check the tightening of screws

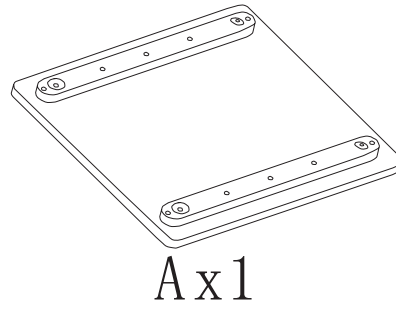
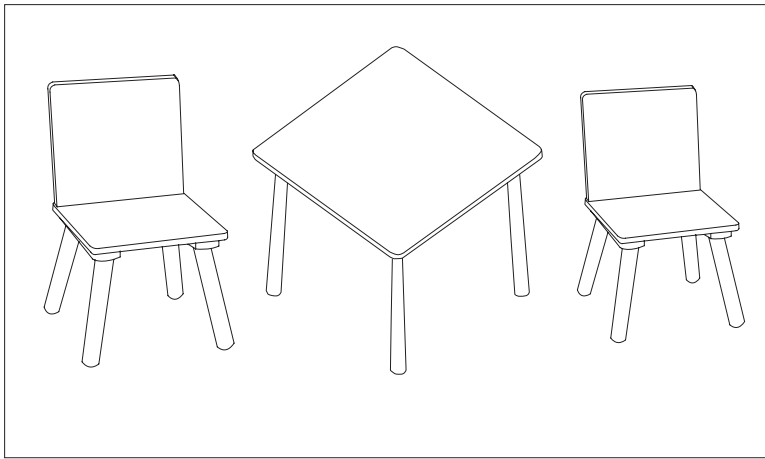
### CONTACT DETAILS :

Liberty House Toys Ltd

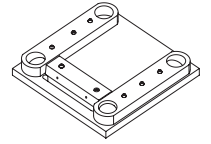
20-24 Gibraltar Row, King Edward Industrial Estate Liverpool, L3 7HJ

TEL: 0330 111 6938

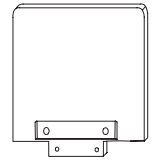
E-MAIL: [customer.services@libertyhousetoys.co.uk](mailto:customer.services@libertyhousetoys.co.uk)



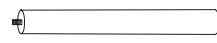
A x 1



B x 2



D x 2



E x 4

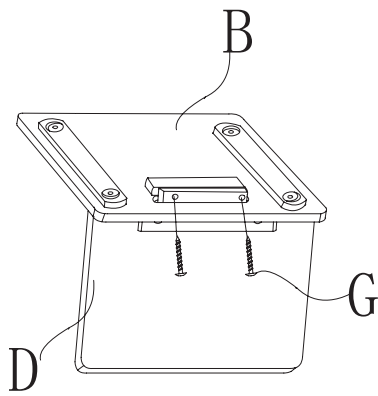


F x 8

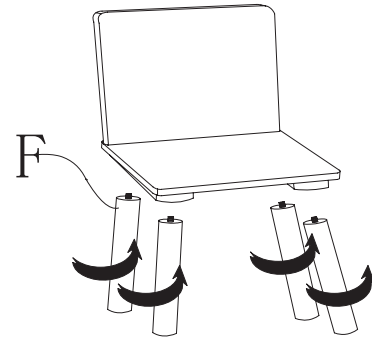


G x 4

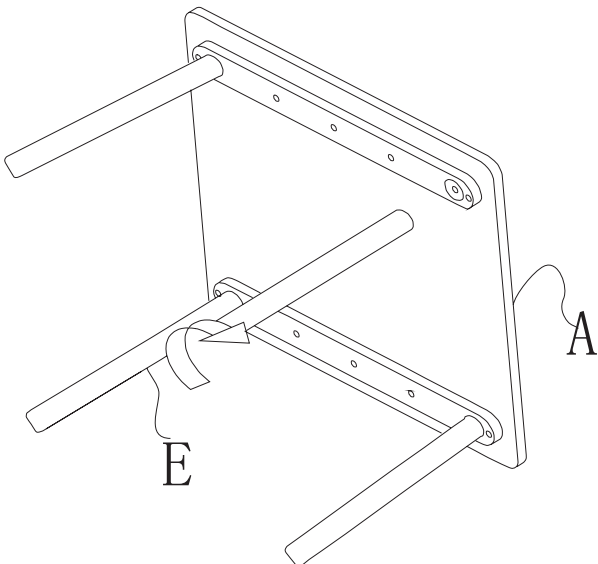
1



2



3



4

