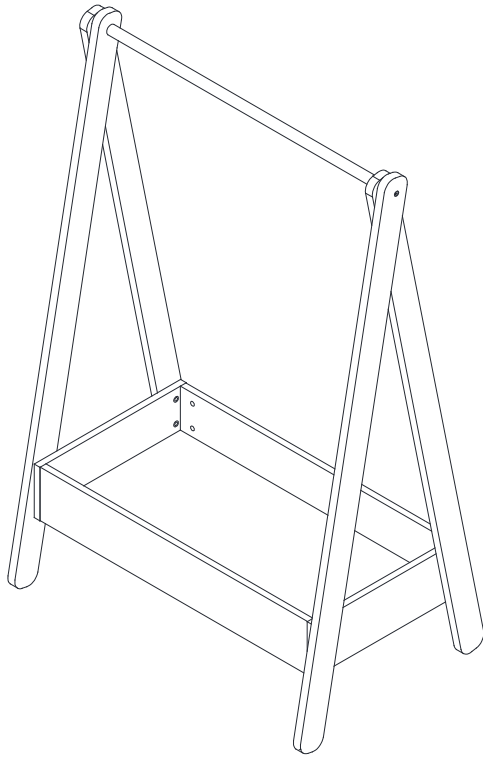
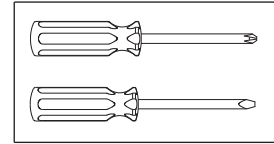
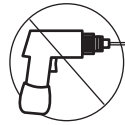


TF5750 Kids White Pine Hanging Rail



TOOLS REQUIRED:

1. Cross Screwdriver(not supplied)
2. Slotted Screwdriver(not supplied)



WARNING – ASSEMBLY BY ADULTS ONLY

CARE/CLEANING INSTRUCTIONS:

- Wipe furniture with a soft dry cloth, do not use paper as this may be abrasive to the finish
- The unit should be cleaned with a damp cloth and dried with a dry cloth
- Do not use bleach or chemical solutions to clean product
- Do not expose to sunlight or other heat sources for a prolonged period
- Products should not be stored or left outside
- Periodically check the tightening of screws

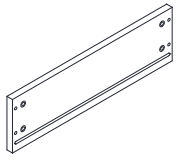
IMPORTER:

Liberty House Toys Ltd

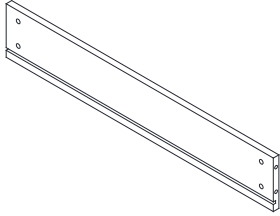
20-24 Gibraltar Row, King Edward Industrial Estate Liverpool, L3 7HJ

TEL: 0330 111 6938

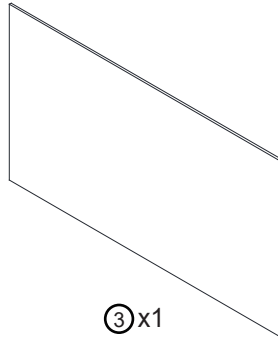
Email:customer.services@libertyhousetoys.co.uk



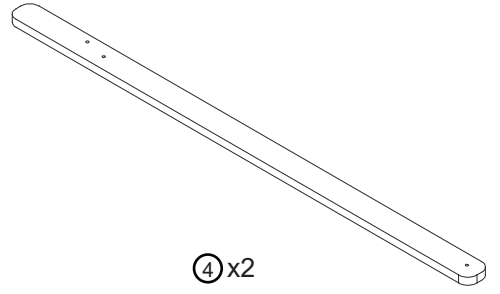
① x2



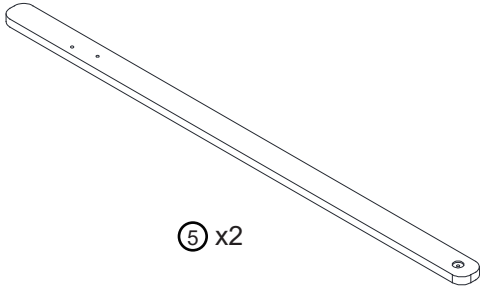
② x2



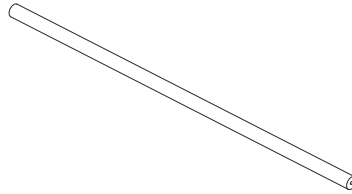
③ x1



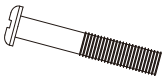
④ x2



⑤ x2



⑥ x1



Ax8



Bx8



Cx8

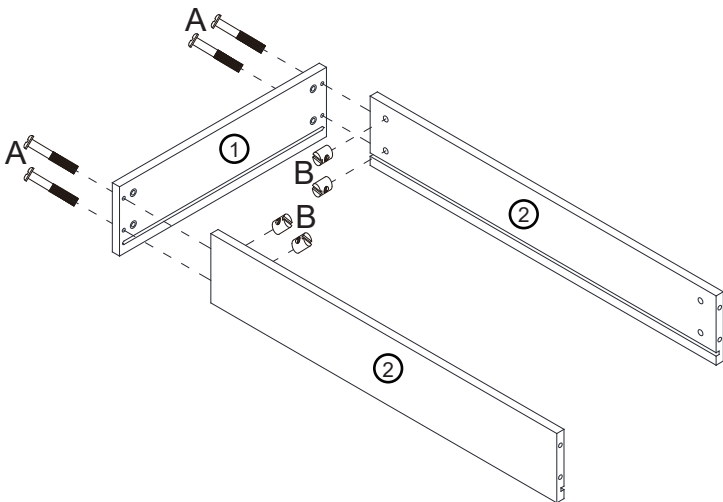


Dx2

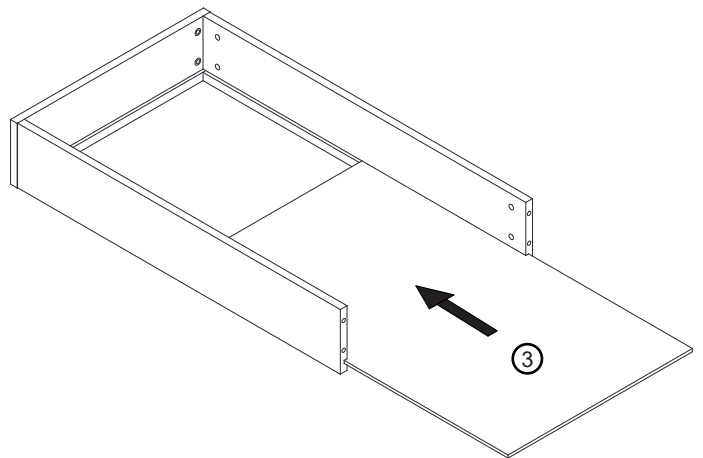


Ex4

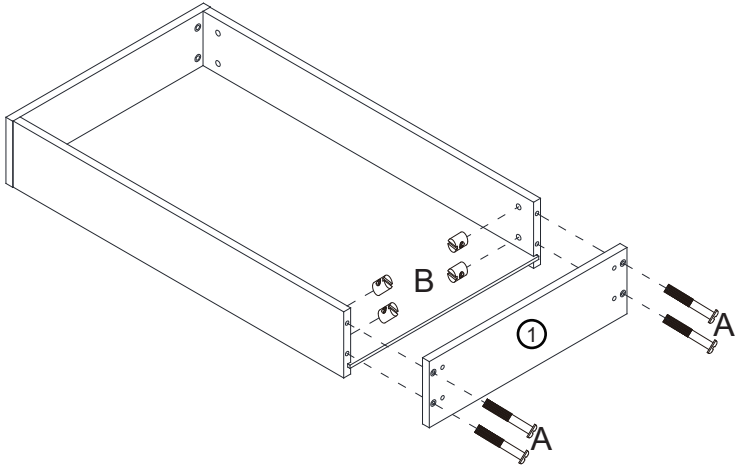
1



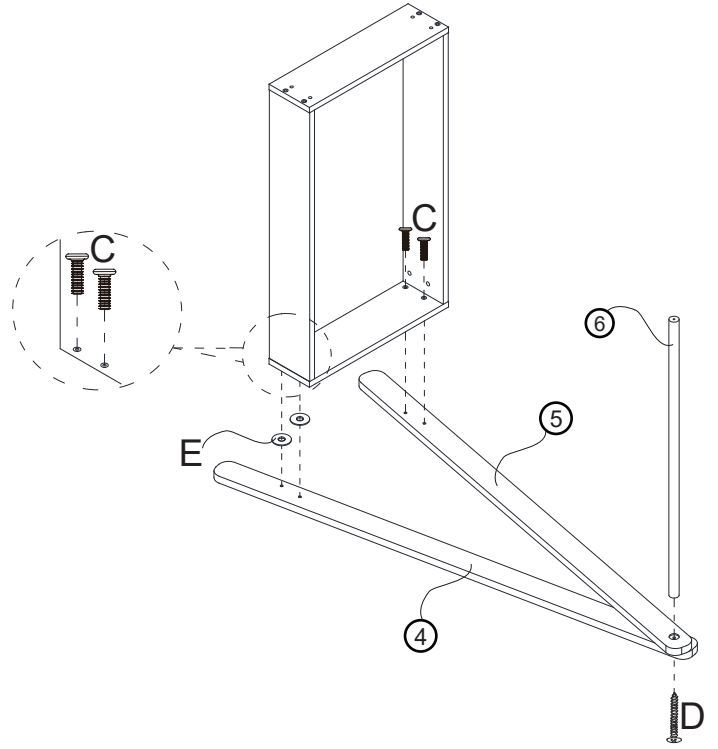
2



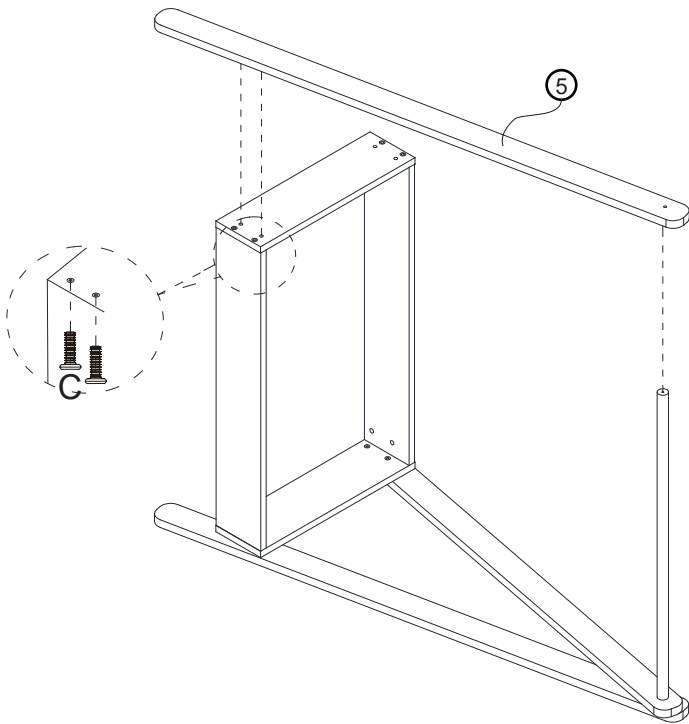
3



4



5



6

