

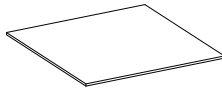
PART LIST



① x 2



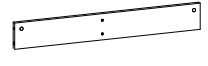
② x 2



③ x 1



④ x 1



⑤ x 2



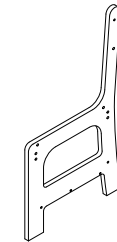
⑥ x 2



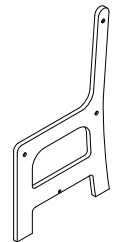
⑦ x 2



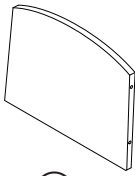
⑧ x 1



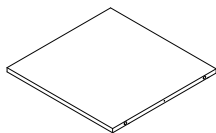
⑨ x 2



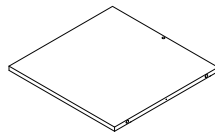
⑩ x 2



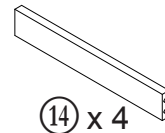
⑪ x 2



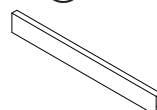
⑫ x 2



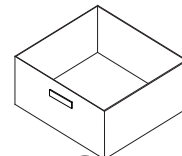
⑬ x 2



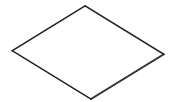
⑭ x 4



⑮ x 2

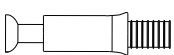


⑯ x 2



⑰ x 2

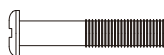
HARDWARE



A x 4



B x 4



C x 26



D x 26



E x 4



F x 30



G x 12



H x 6



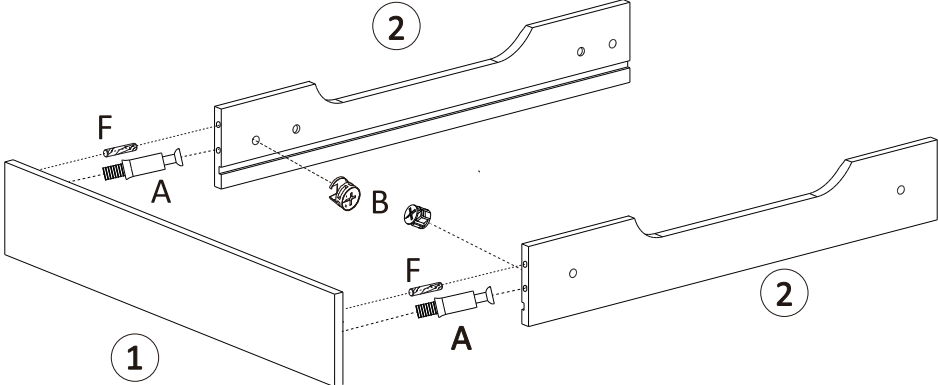
TOOLS REQUIRED:

1. Phillips Head Screw Driver (not supplied)
2. Flat Head Screw Driver (not supplied)

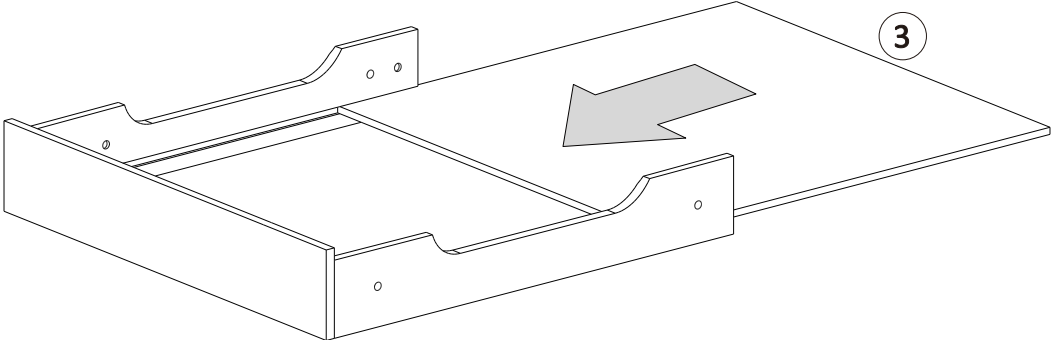


TABLE ASSEMBLY

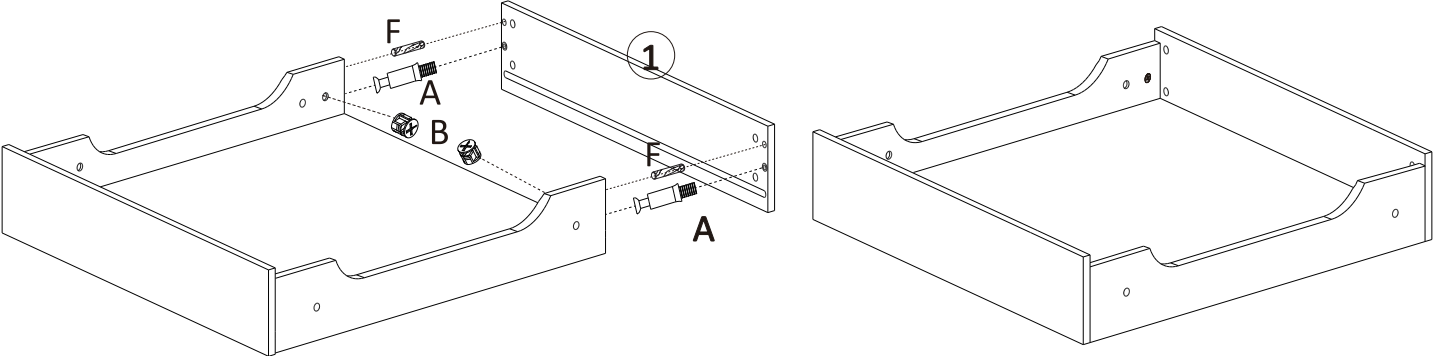
Step ①



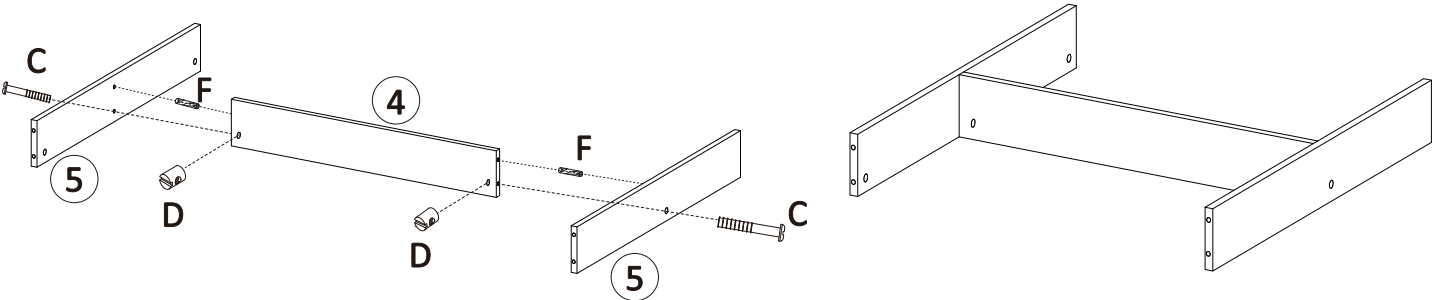
Step ②



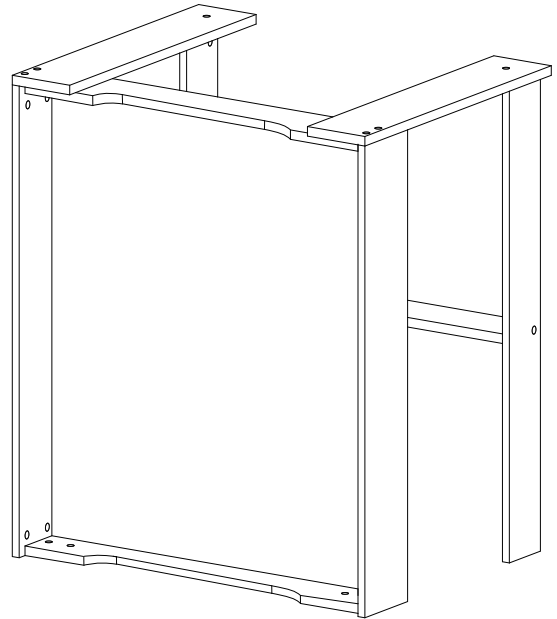
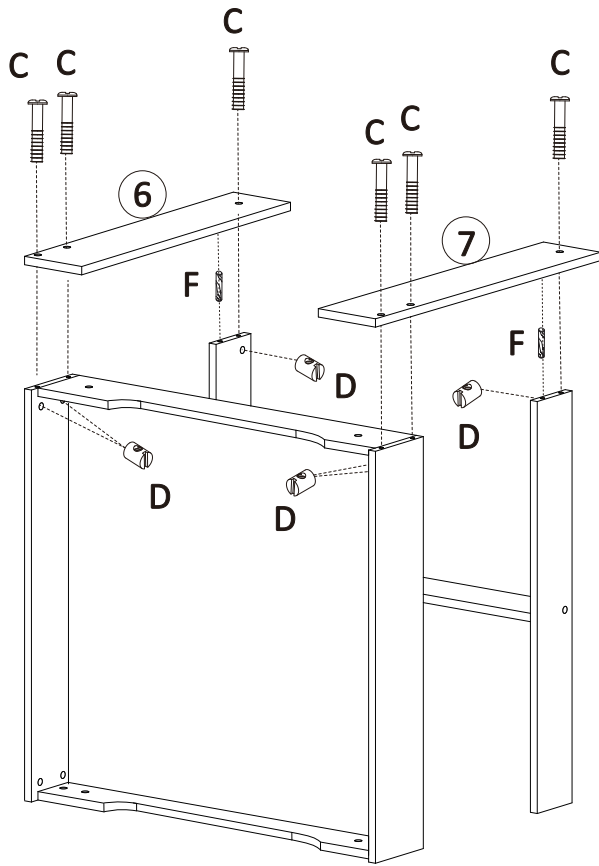
Step ③



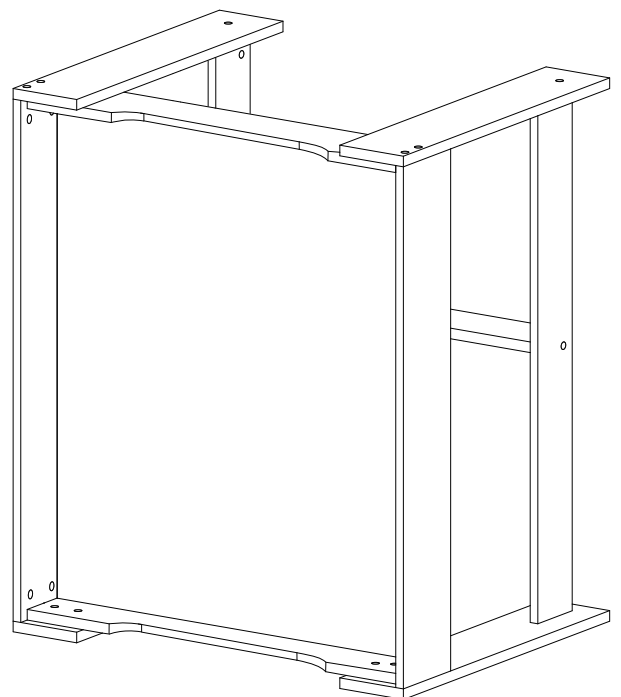
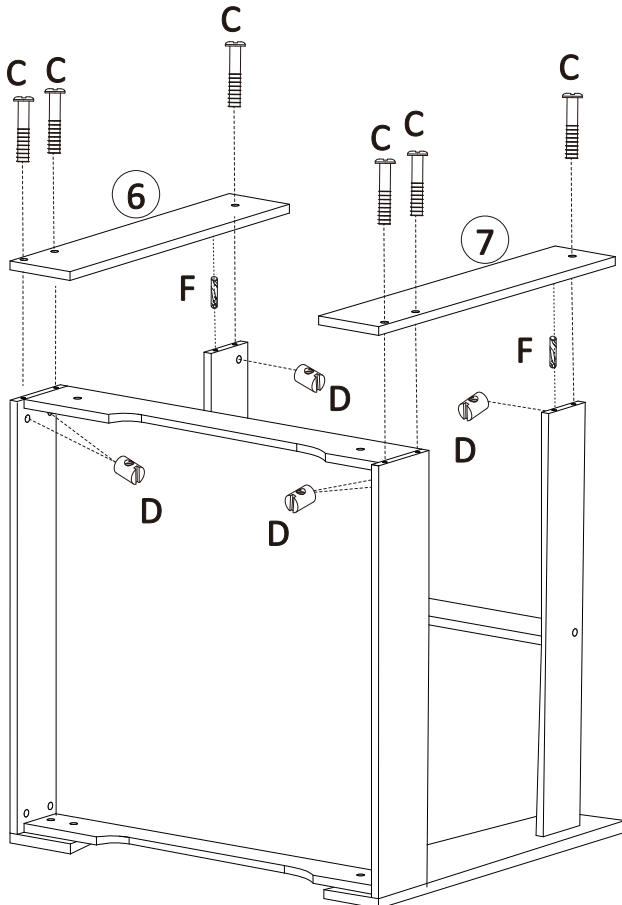
Step ④



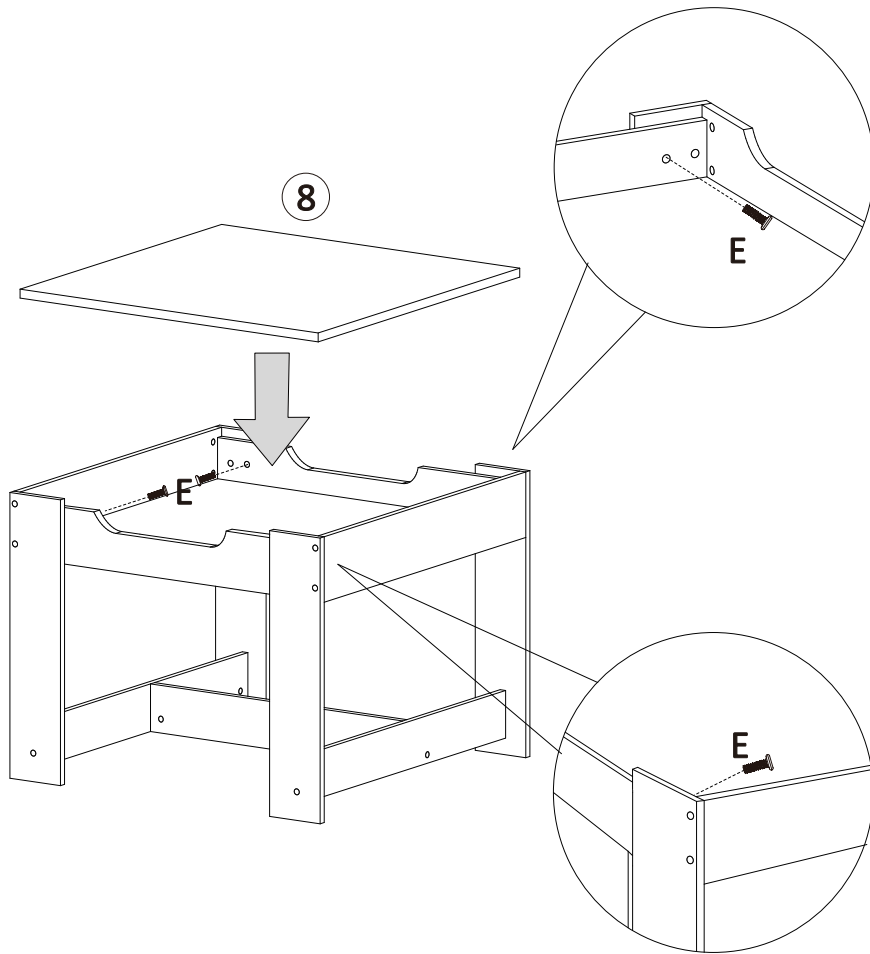
Step ⑤



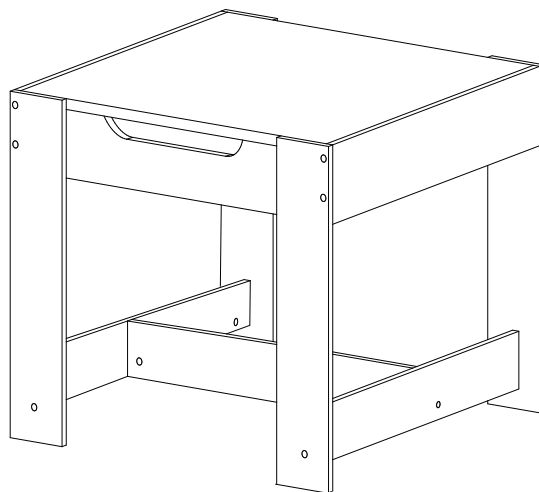
Step ⑥



Step ⑦

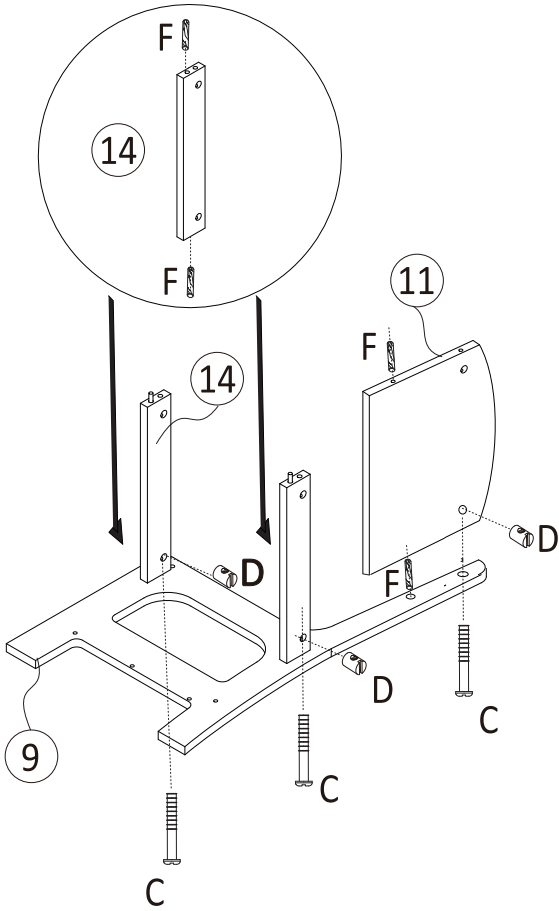


.....
TABLE COMPLETE

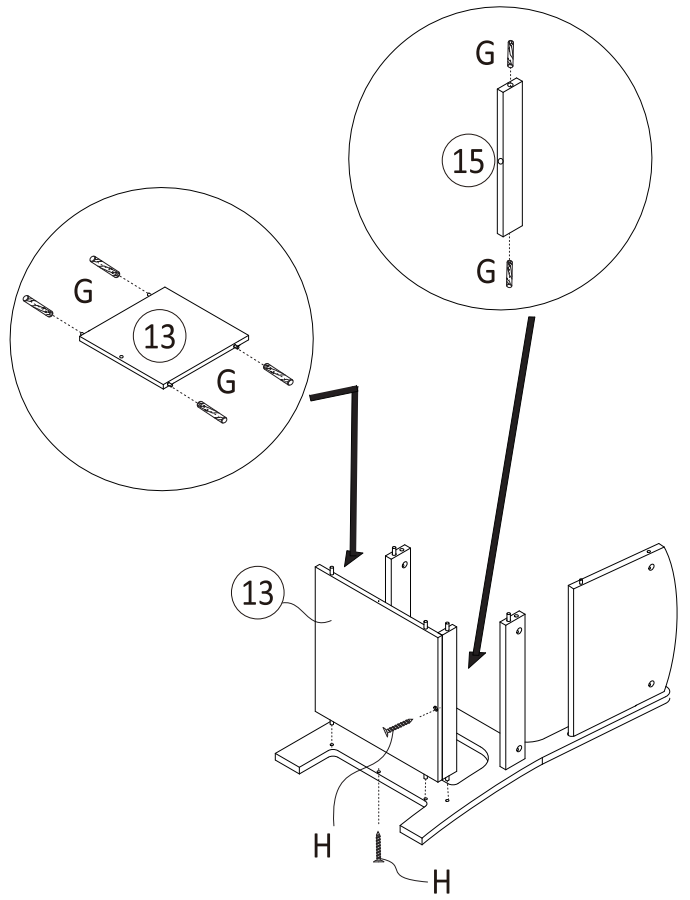


CHAIR ASSEMBLY

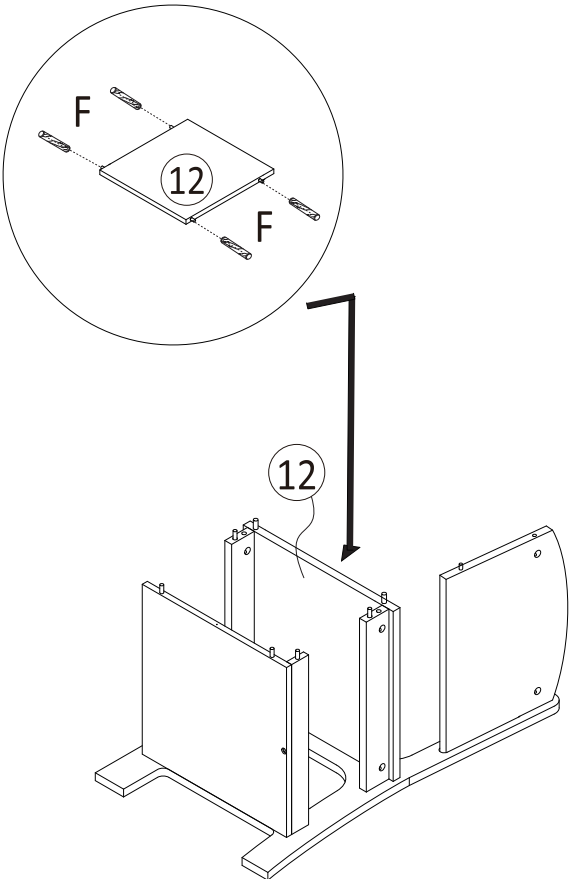
Step ⑧



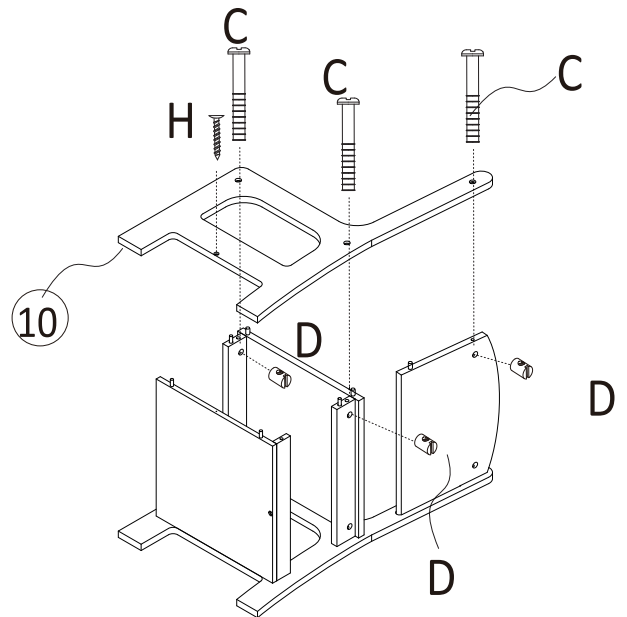
Step ⑨



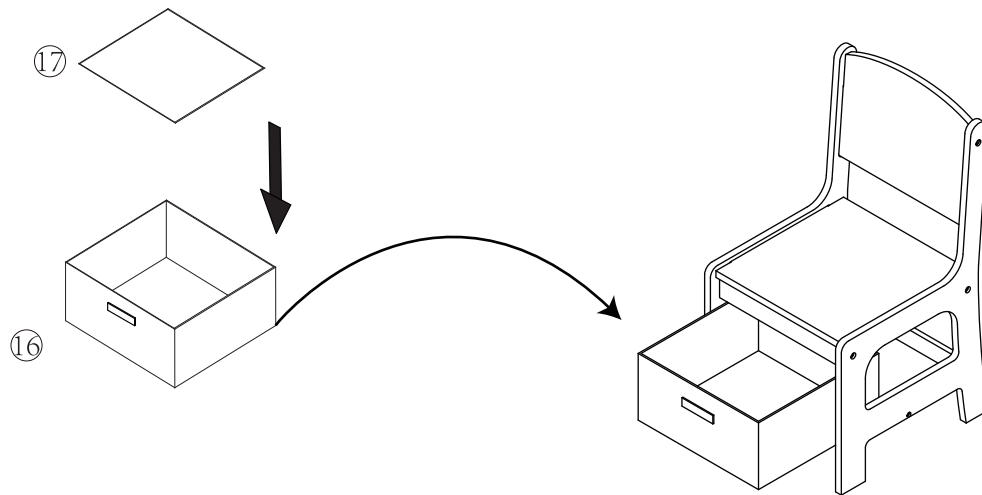
Step ⑩



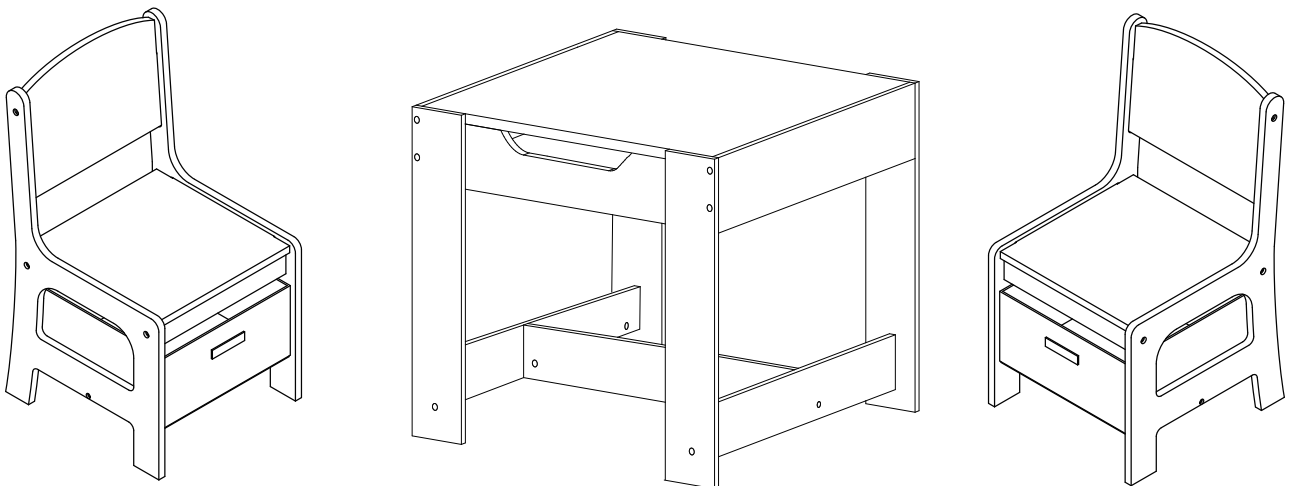
Step ⑪



Step 12



.....
SET COMPLETE



CARE/CLEANING INSTRUCTIONS

- Wipe furniture with a soft dry cloth, do not use paper as this may be abrasive to the finish.
- The set should be cleaned with a damp cloth and dried with a dry cloth.
- **DO NOT** use bleach or chemical solutions to clean the product.
- **DO NOT** expose to sunlight or other heat sources for a prolonged period.
- **DO NOT** store or leave outside.
- Periodically check the tightening of legs and screws.



Liberty House Toys
20-24 Gibraltar Row
King Edward Industrial Estate
Liverpool L3 7HJ
United Kingdom



 **WARNING:**
CHOKING HAZARD – Small parts.