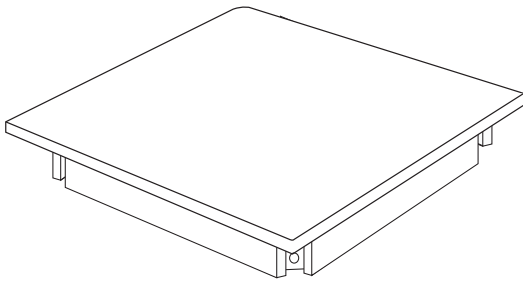


PART LIST



A x 1



B x 4



C x 2



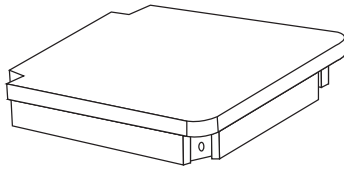
D x 2



E x 2



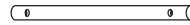
F x 2



G x 4



H x 2



I x 4

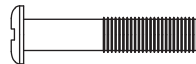
HARDWARE



J x 4



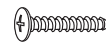
K x 8



L x 8



M x 16



N x 8

CARE/CLEANING INSTRUCTIONS

- Wipe furniture with a soft dry cloth, do not use paper as this may be abrasive to the finish.
- The set should be cleaned with a damp cloth and dried with a dry cloth.
- DO NOT use bleach or chemical solutions to clean the product.
- DO NOT expose to sunlight or other heat sources for a prolonged period.
- DO NOT store or leave outside.
- Periodically check the tightening of legs and screws.



TOOLS REQUIRED:

1. Phillips Head Screw Driver (not supplied)
2. Flat Head Screw Driver (not supplied)



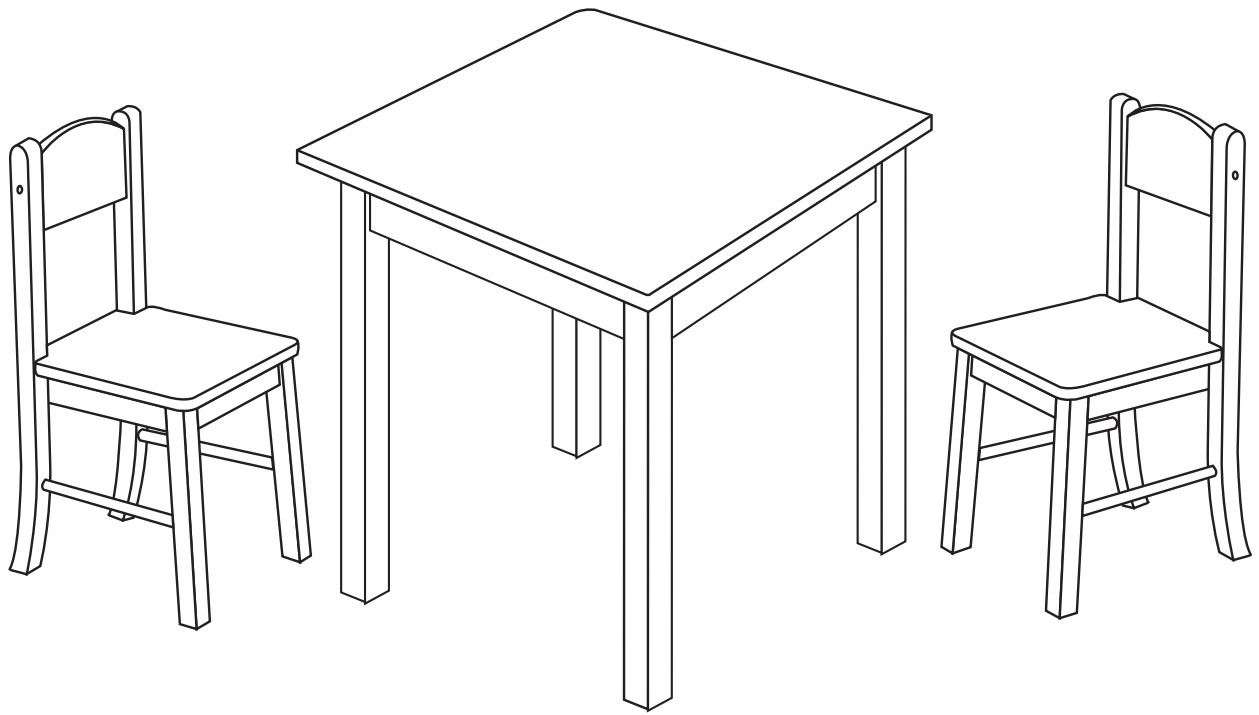
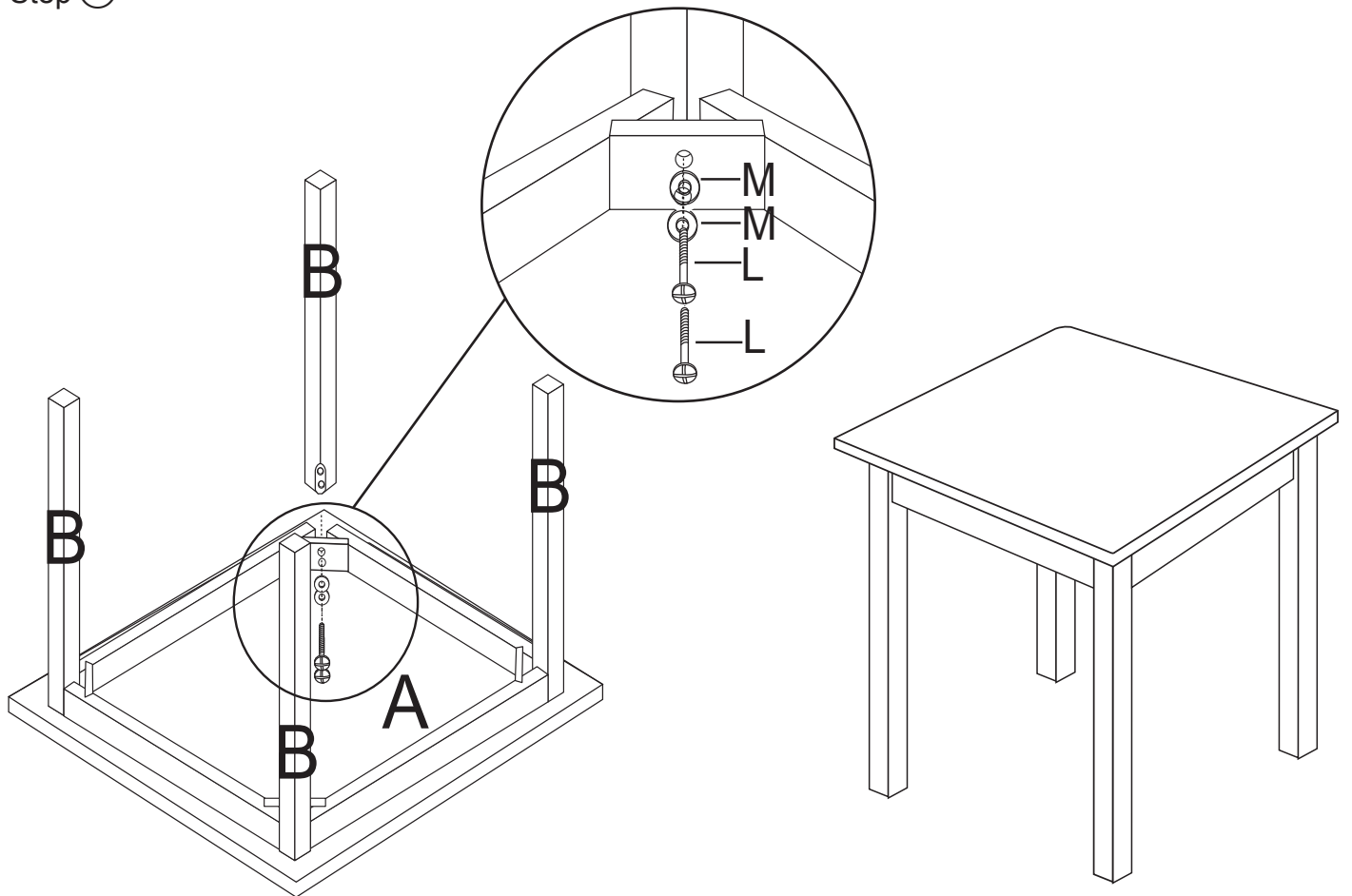
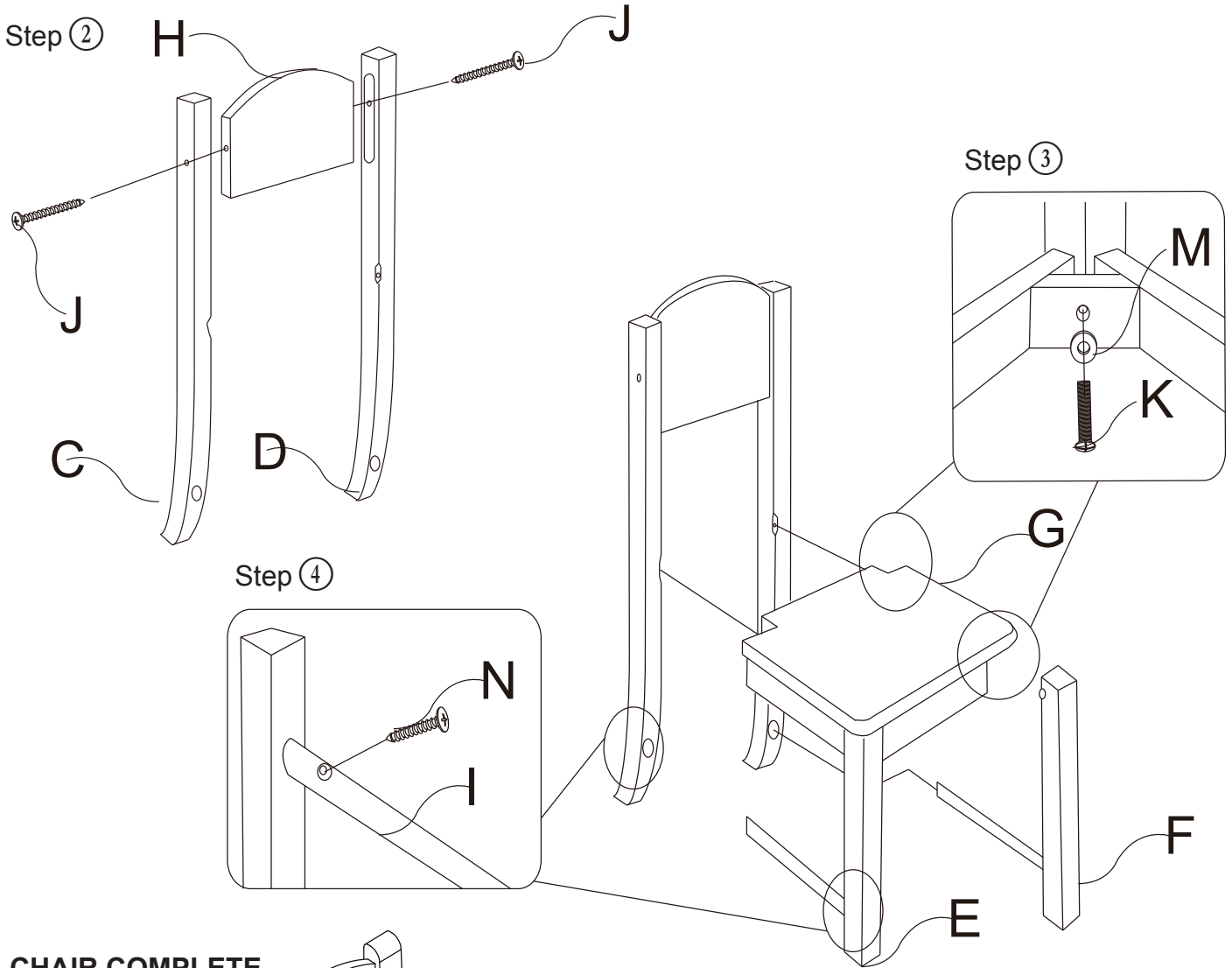


TABLE ASSEMBLY

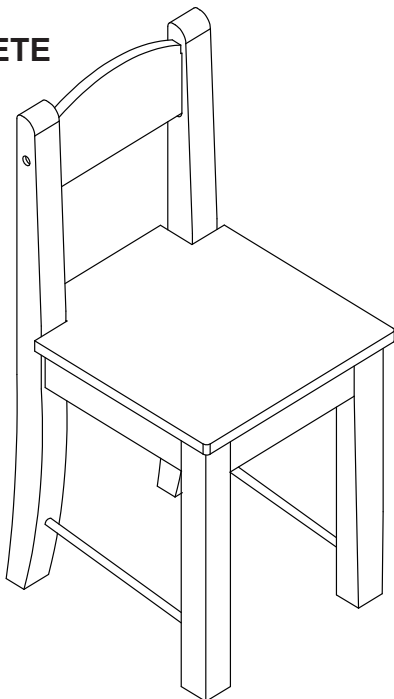
Step ①



CHAIR ASSEMBLY



CHAIR COMPLETE



Liberty House Toys
20-24 Gibraltar Row
King Edward Industrial Estate
Liverpool L3 7HJ
United Kingdom



WARNING:
CHOKING HAZARD – Small parts.