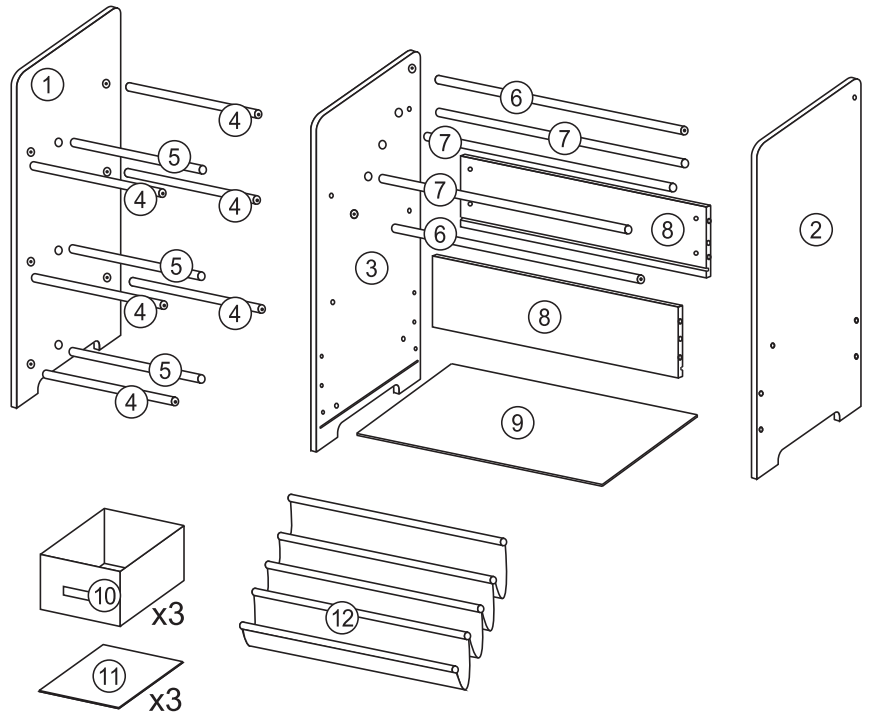
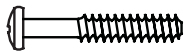


PART LIST



HARDWARE



A x 8



B x 8



C x 4



D x 16

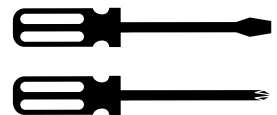
CARE/CLEANING INSTRUCTIONS

- Wipe furniture with a soft dry cloth, do not use paper as this may be abrasive to the finish.
- The unit should be cleaned with a damp cloth and dried with a dry cloth.
- **DO NOT** use bleach or chemical solutions to clean the product.
- **DO NOT** expose to sunlight or other heat sources for a prolonged period.
- **DO NOT** store or leave outside.
- Periodically check the tightening of legs and screws.

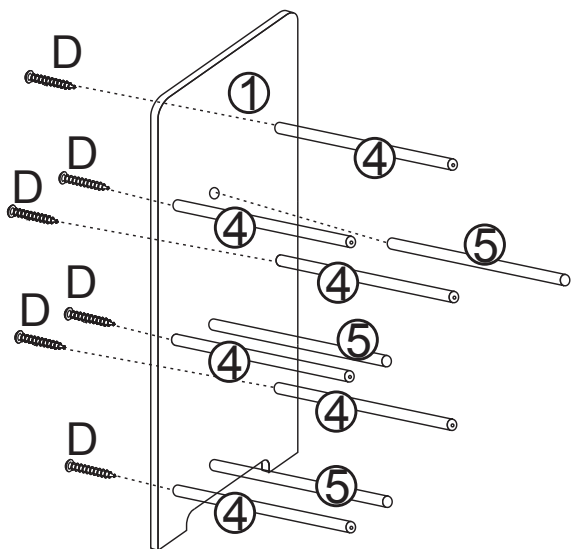


TOOLS REQUIRED:

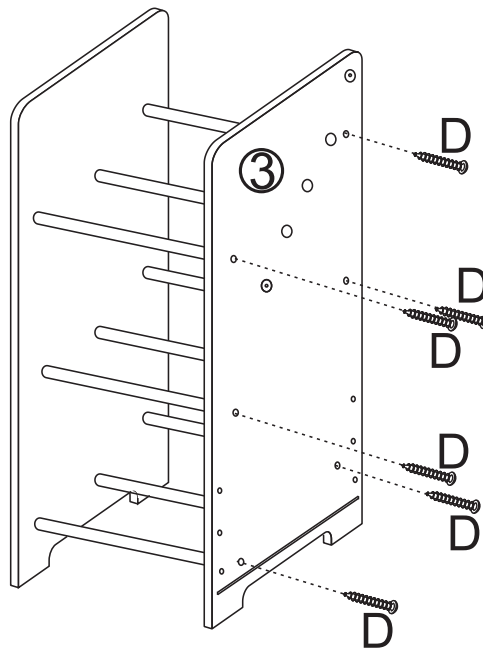
1. Phillips Head Screw Driver (not supplied)
2. Flat Head Screw Driver (not supplied)



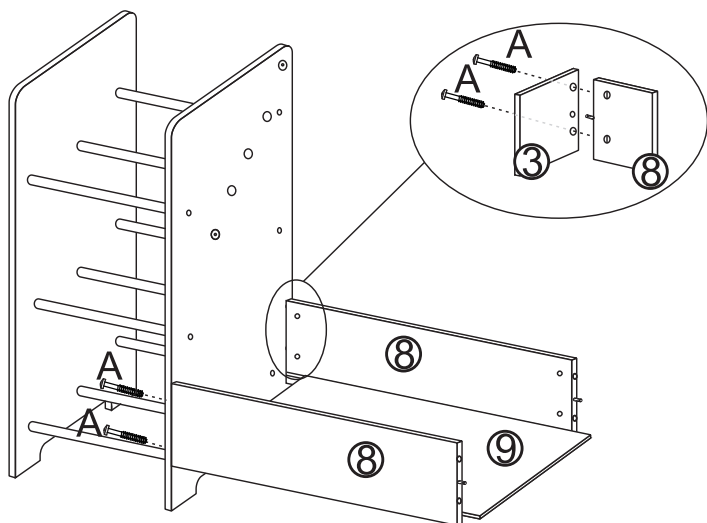
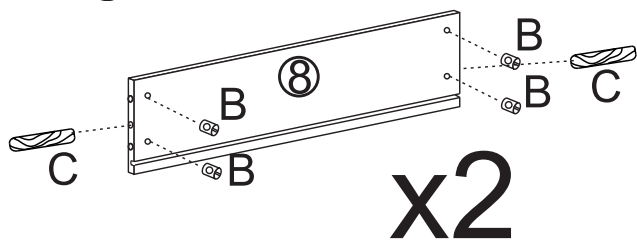
Step 1



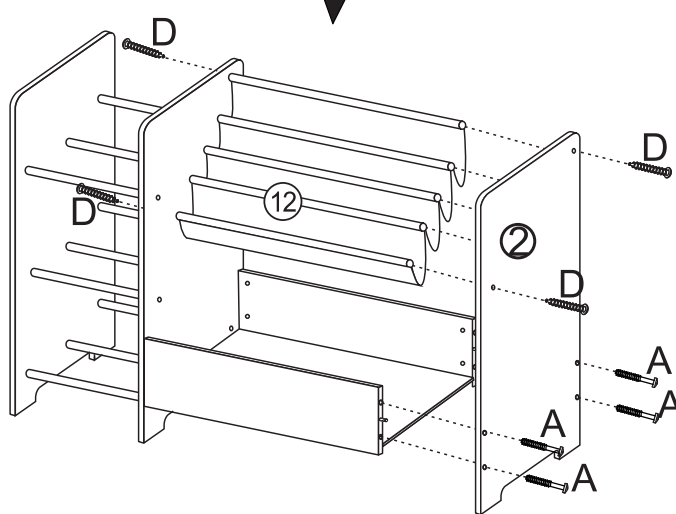
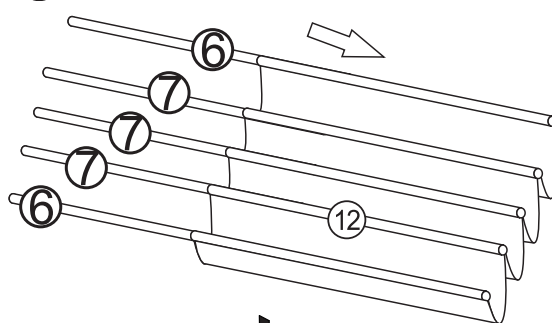
Step 2



Step 3



Step 4



Step 5

