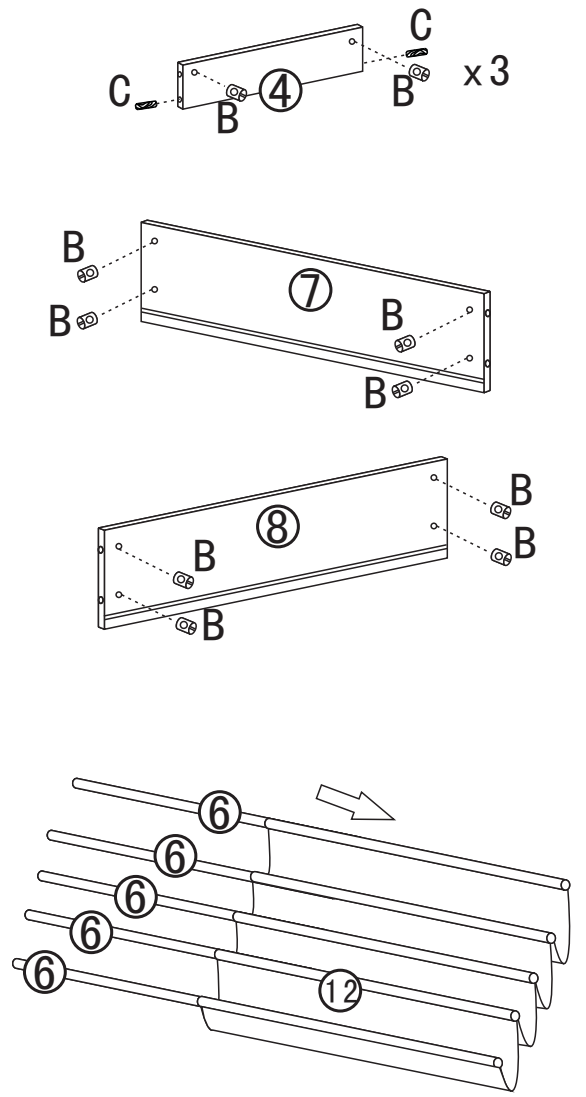
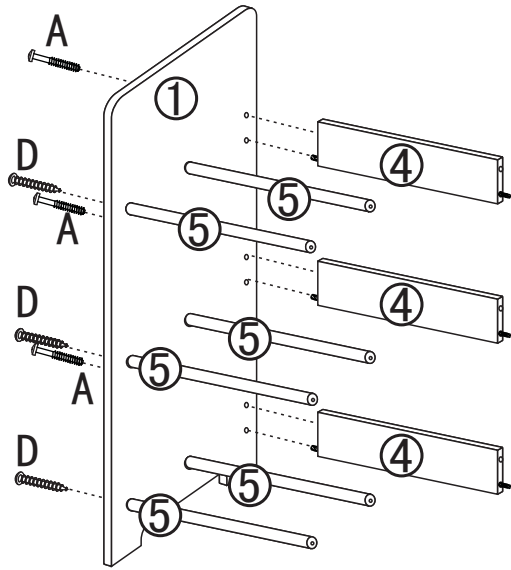
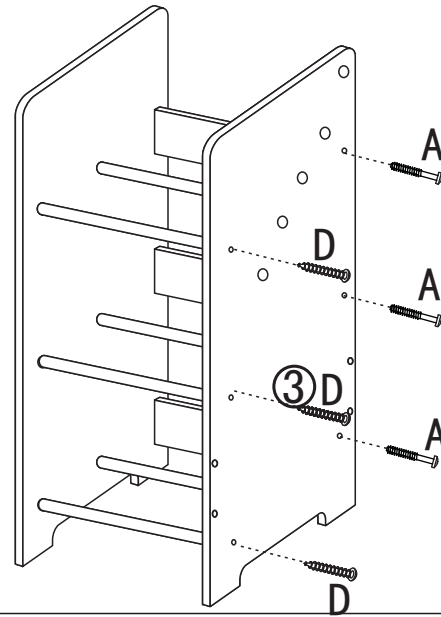

A x 14	B x 14	C x 6	D x 8



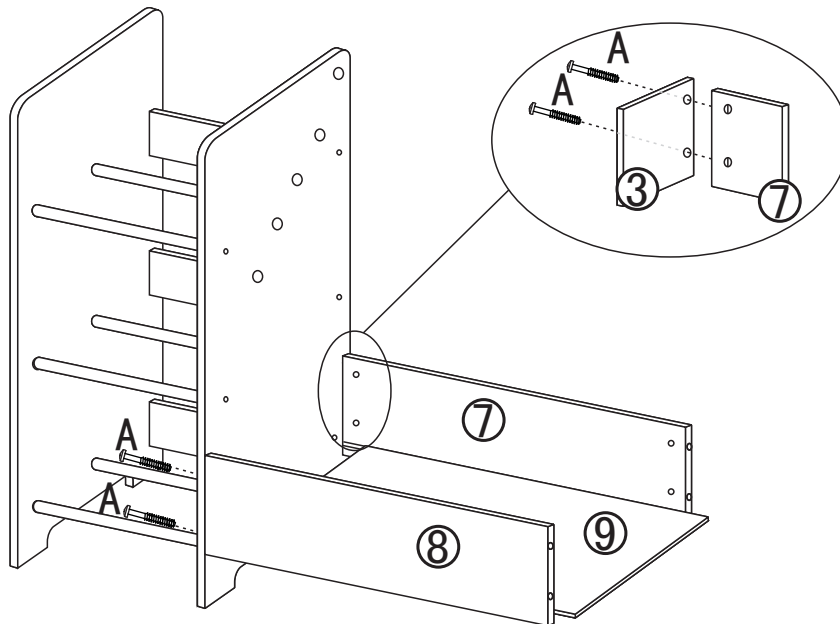
1



2



3



4

