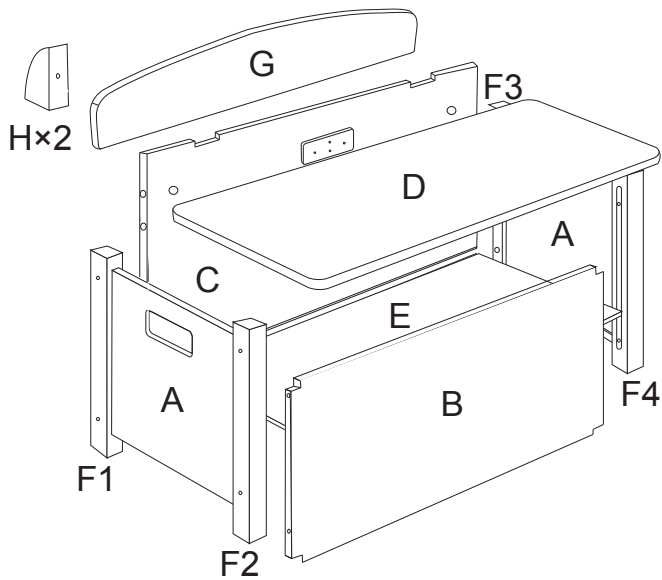
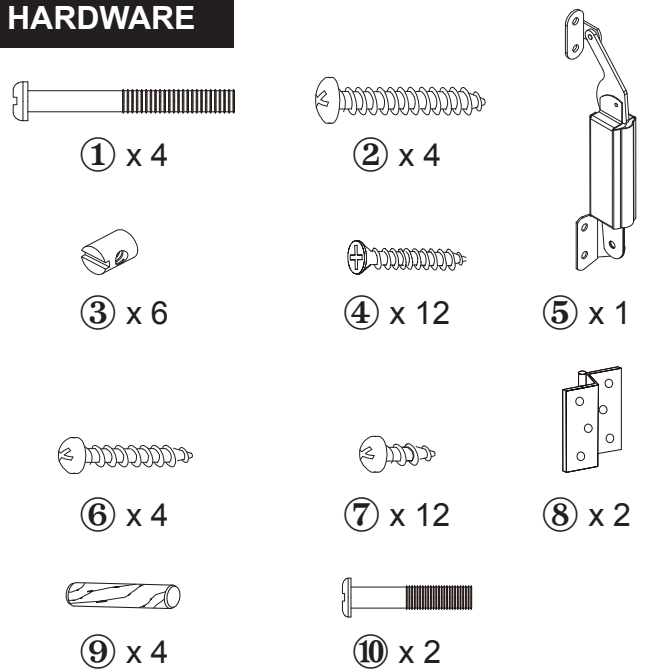


**PART LIST**



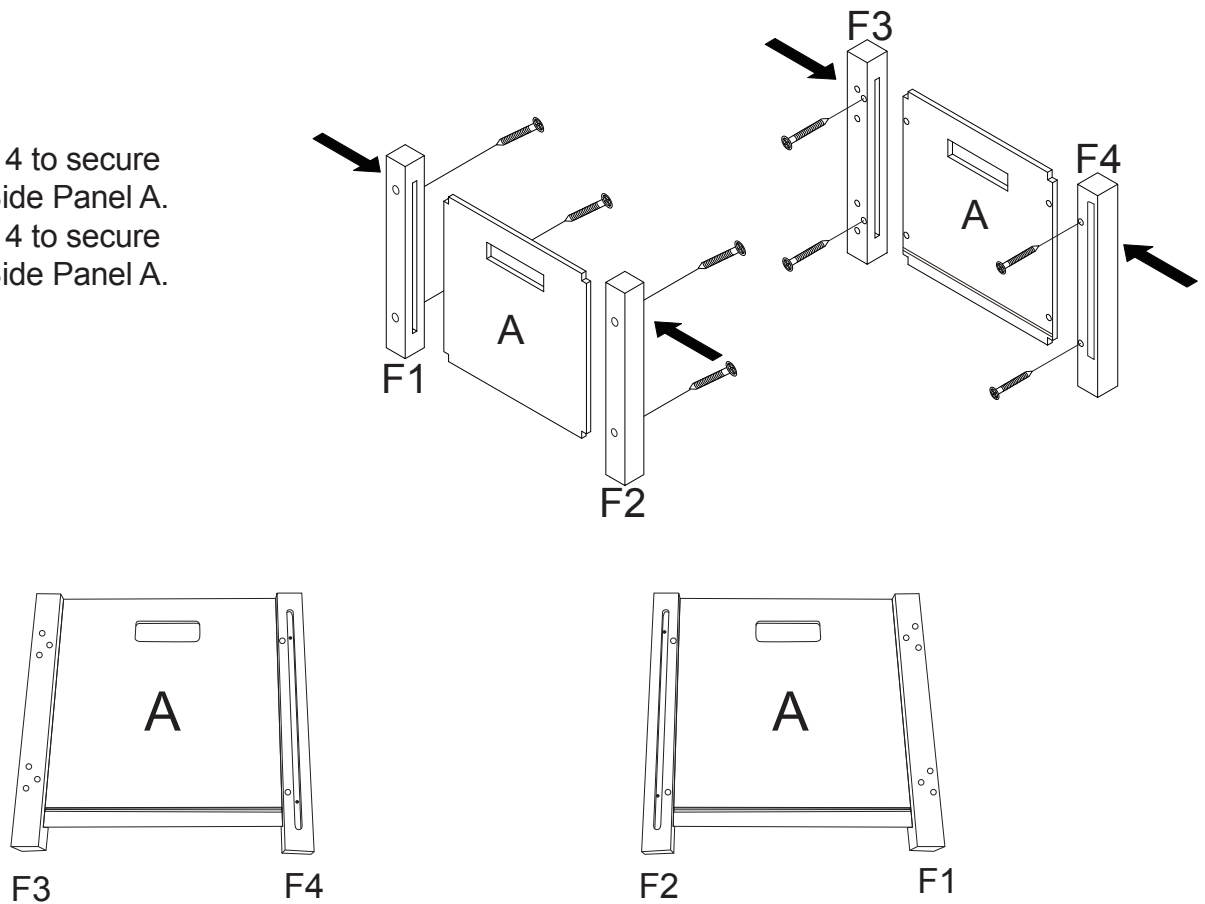
**HARDWARE**



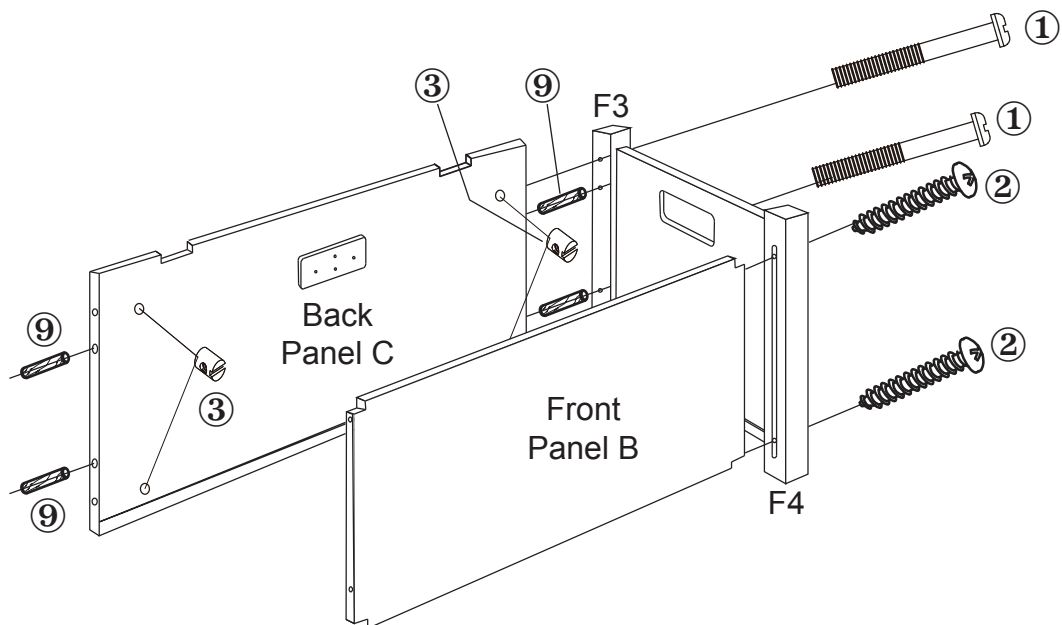
**TOOLS REQUIRED: Phillips Head Screw Driver.**  
**PLEASE TAKE CARE NOT TO OVER-TIGHTEN THE SCREWS.**

Step ①

Use 4 x Screw 4 to secure F1 and F2 to Side Panel A.  
Use 4 x Screw 4 to secure F3 and F4 to Side Panel A.

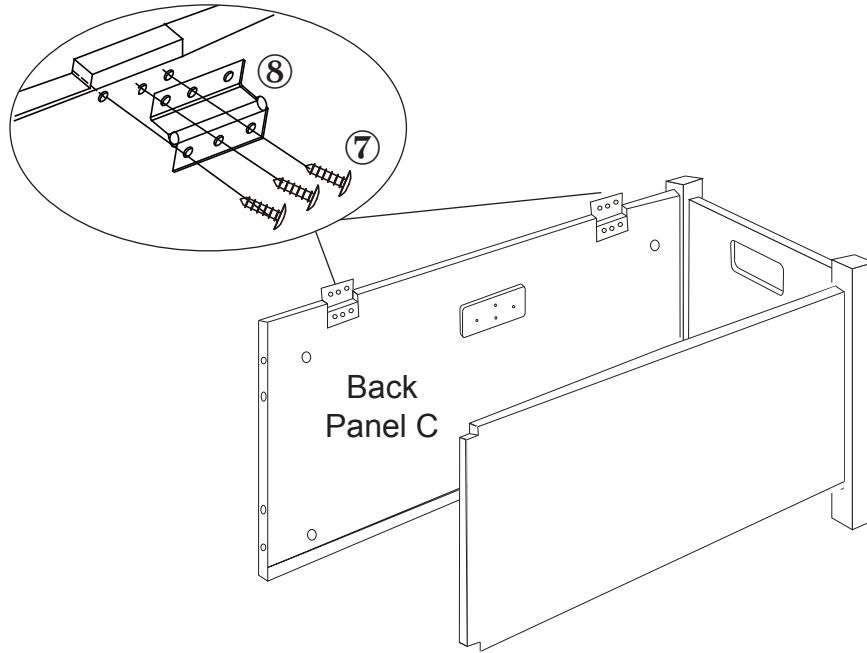


Step ②



Insert 4 x Dowel 9 into Back Panel C.  
Insert 4 x Bolt 3 into Back Panel C. **Align correctly.**  
Secure Back Panel C to F3 using 2 x Screw 1.  
Secure Front Panel B to F4 using 2 x Screw 2.

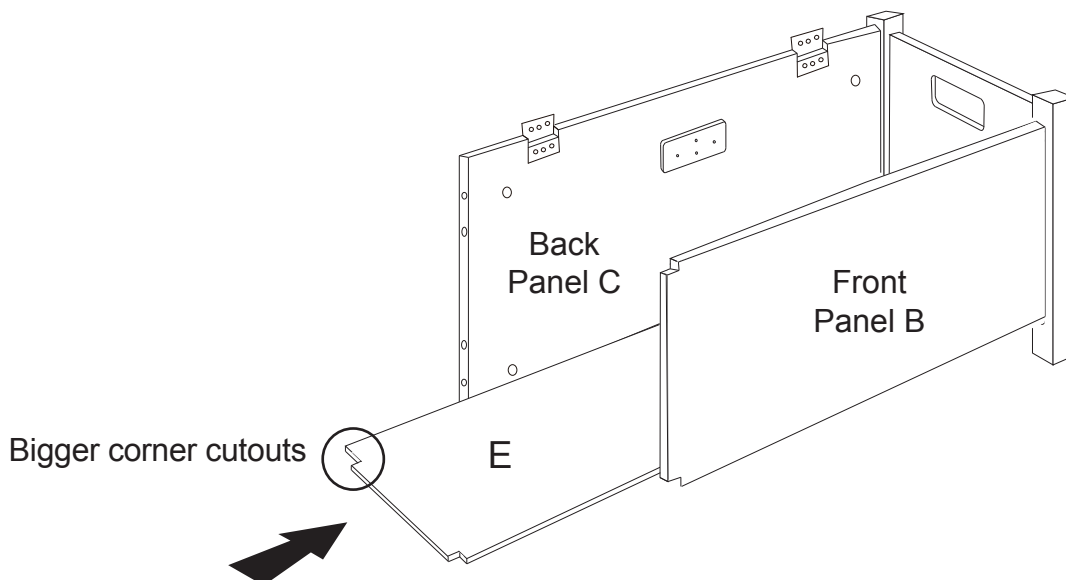
Step ③



Secure 2 x Hinge 8 to Back Panel C using 6 x Screw 7.

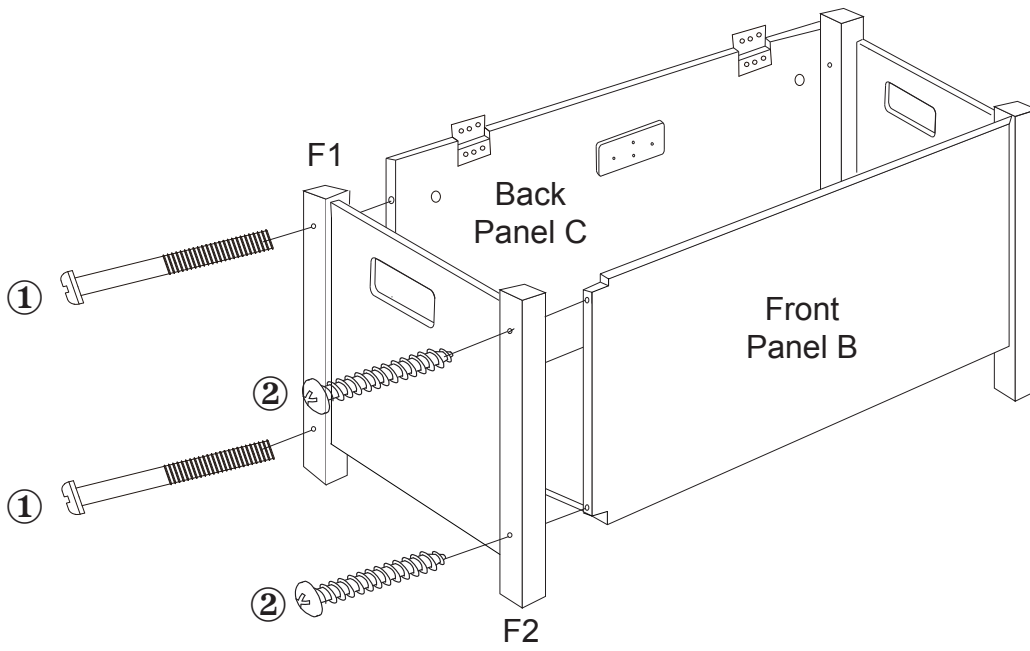
---

Step ④



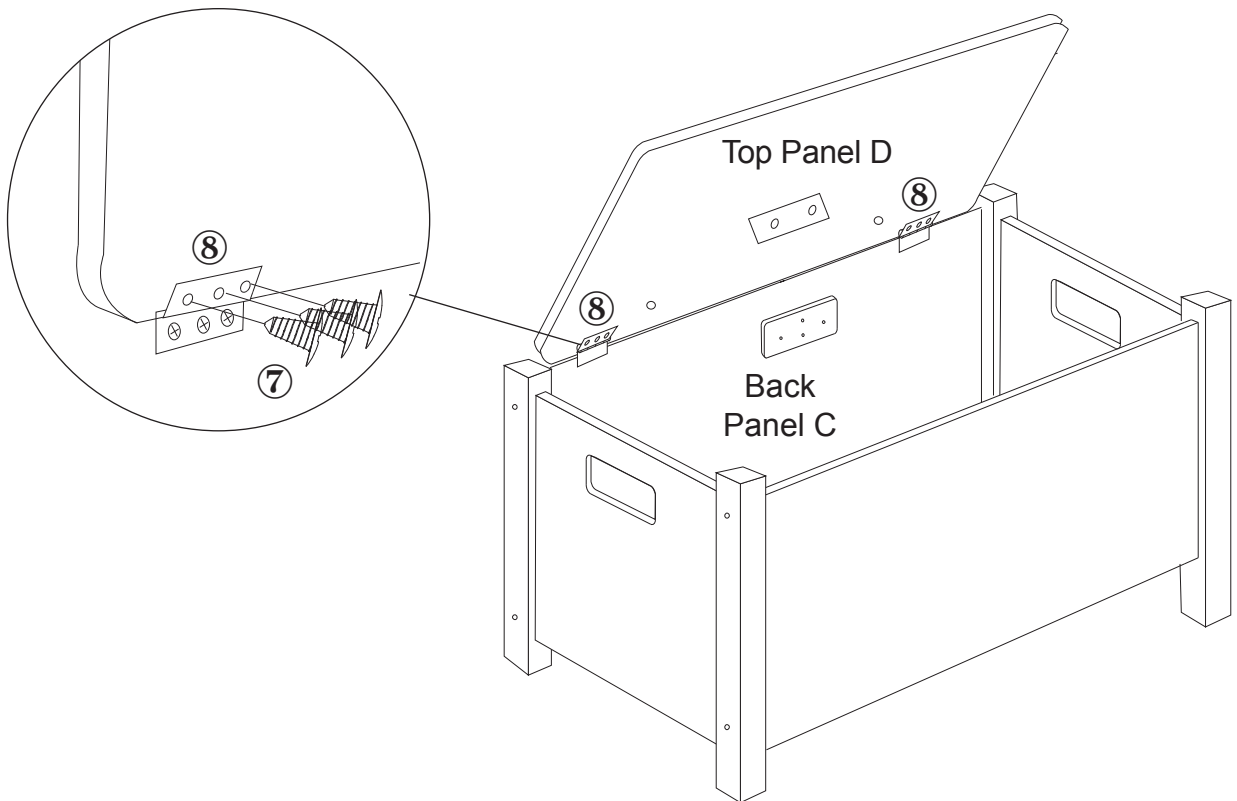
Insert Panel E. **Ensure the bigger corner cutouts are at the back.**

Step ⑤



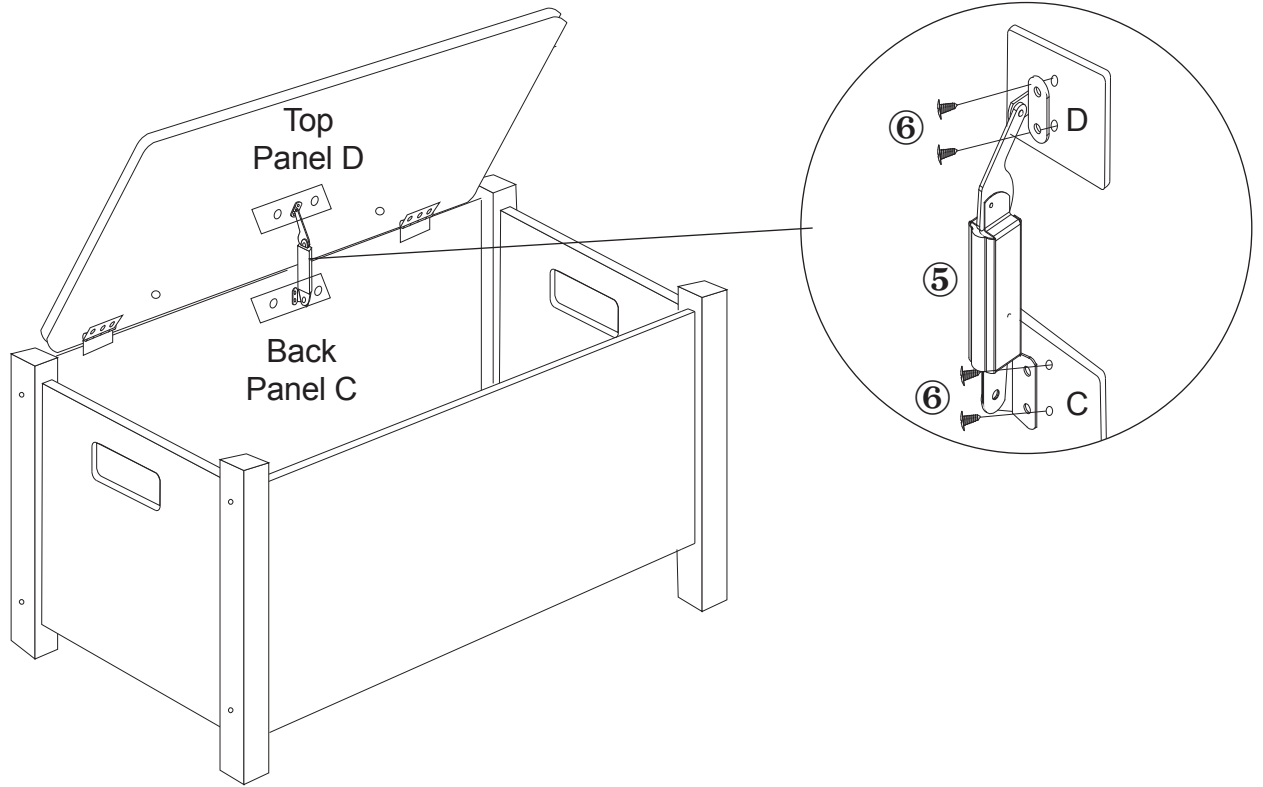
Secure F1 to Back Panel C using 2 x Screw 1.  
Secure F2 to Front Panel B using 2 x Screw 2.

Step ⑥



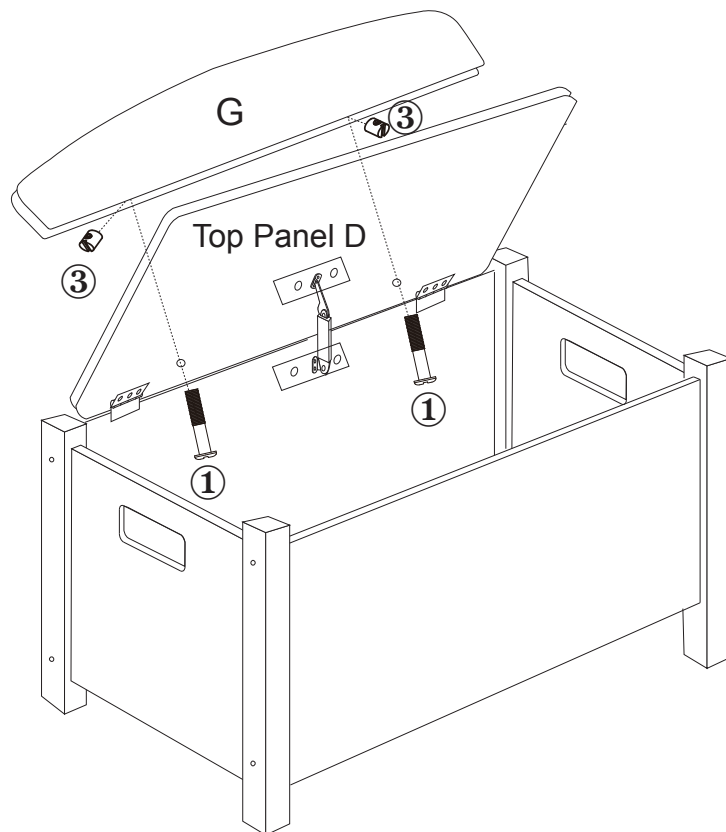
Secure 2 x Hinge 8 to Top Panel D using 6 x Screw 7.

Step ⑦



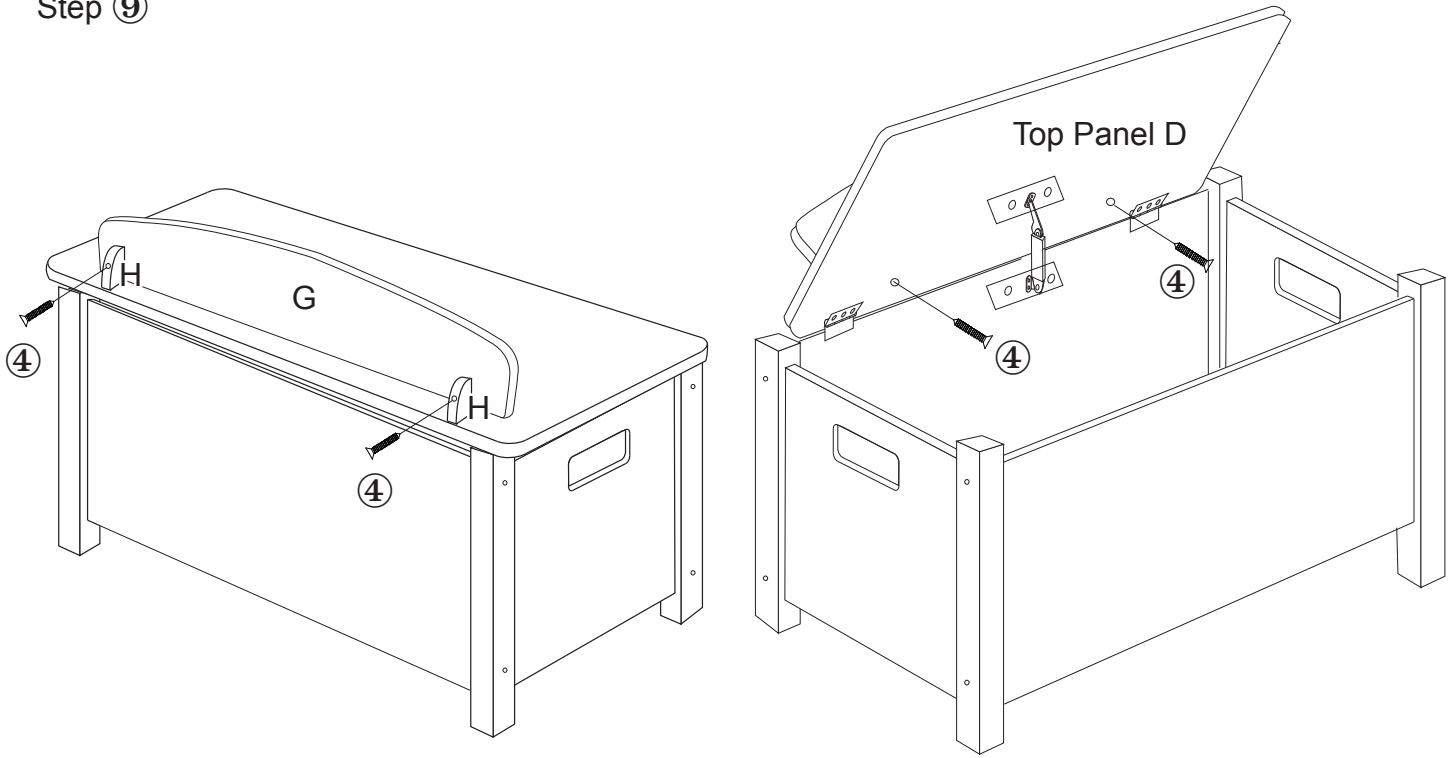
Secure Hinge 5 to Back Panel C using 2 x Screw 6.  
Secure Hinge 5 to Top Panel D using 2 x Screw 6.

Step ⑧



Insert 2 x Bolt 3 into Panel G. **Align correctly.**  
Secure Panel G to Top Panel D using 2 x Screw 1.

Step ⑨



Secure 2 x Part H to Panel G using 2 x Screw 4.  
Lift Top Panel D and secure Part H to Top Panel D using 2 x Screw 4.

.....

COMPLETE

