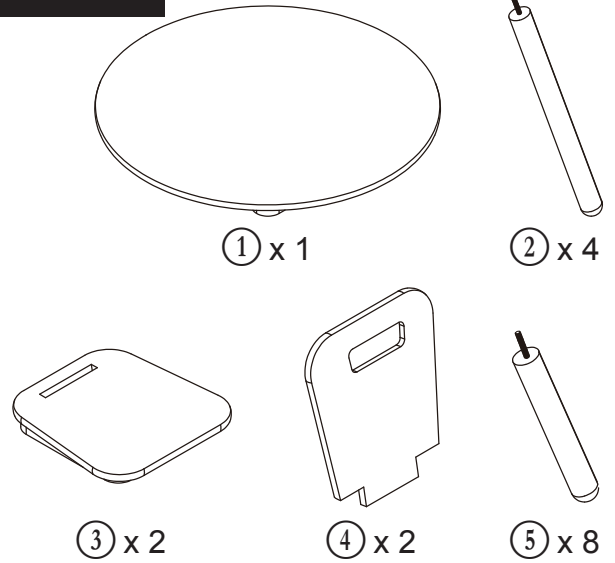


PART LIST

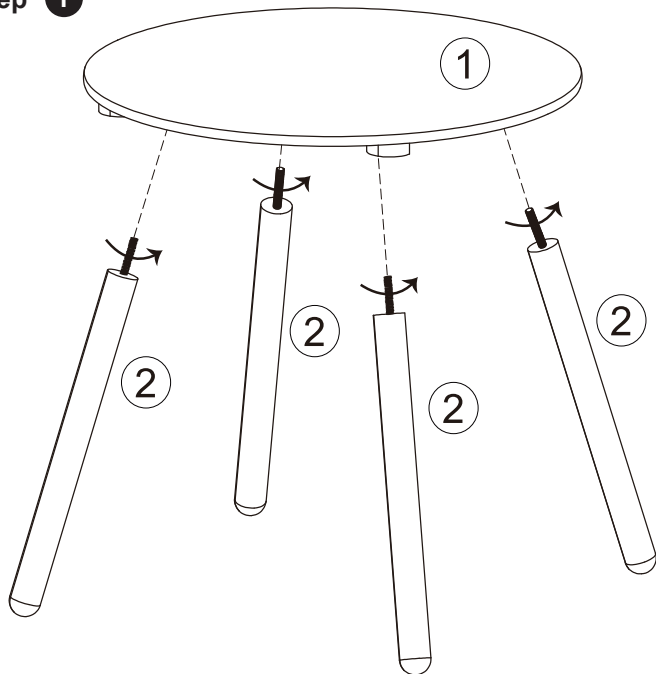


HARDWARE

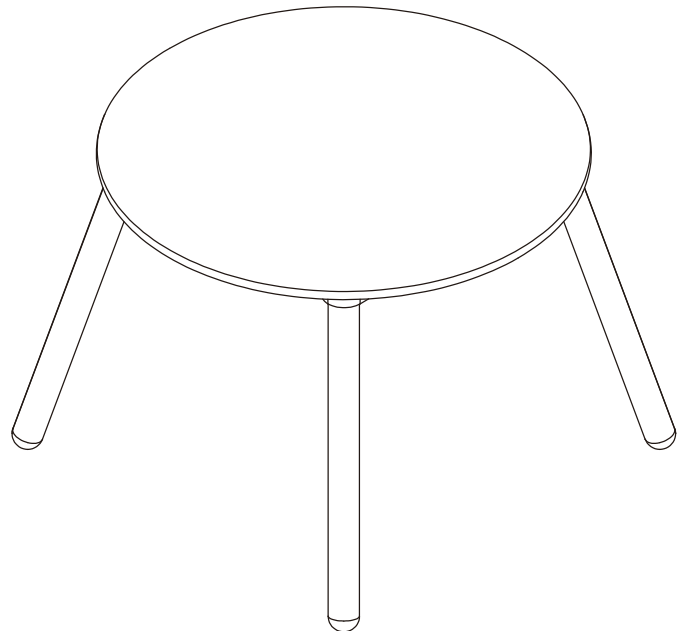


TABLE ASSEMBLY

Step 1



COMPLETE



TOOLS REQUIRED

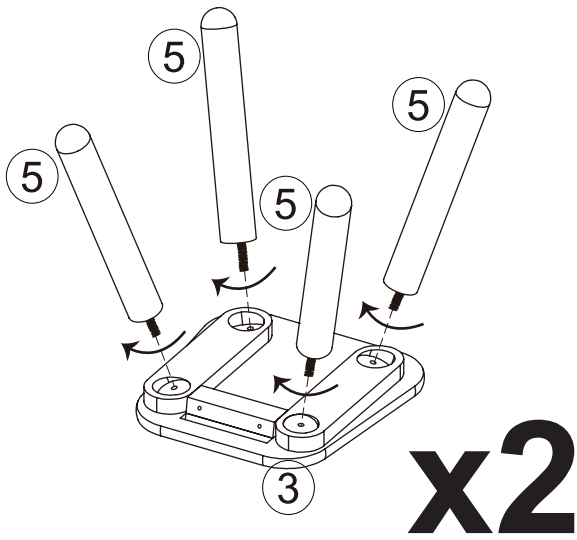


Electrical Screwdriver or
Phillips Head Screw Driver (not supplied)

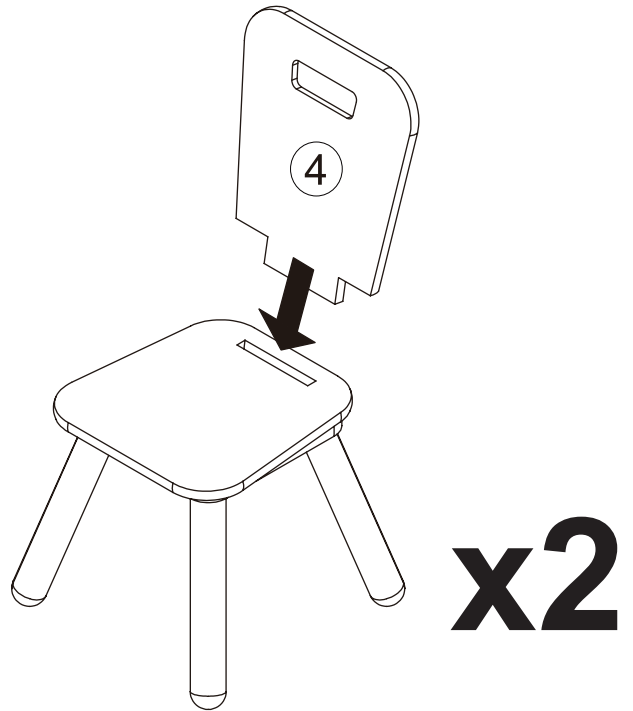


TABLE ASSEMBLY

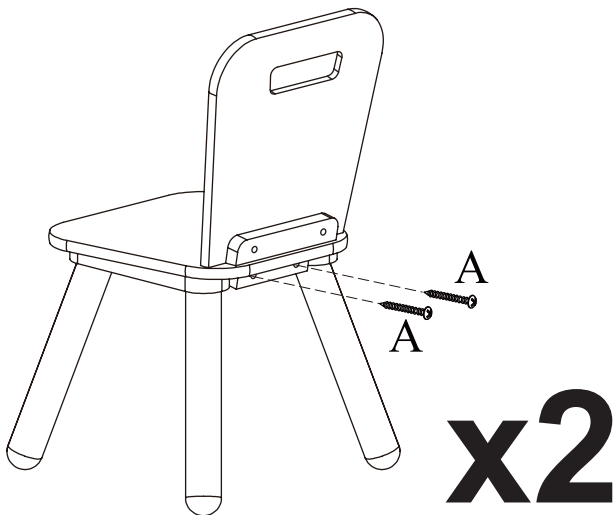
Step 1



Step 2



Step 3



COMPLETE

