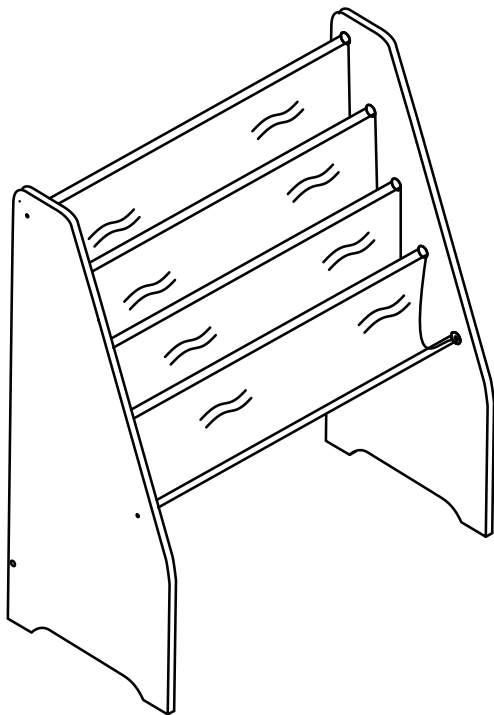
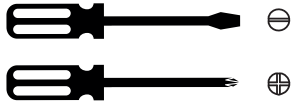
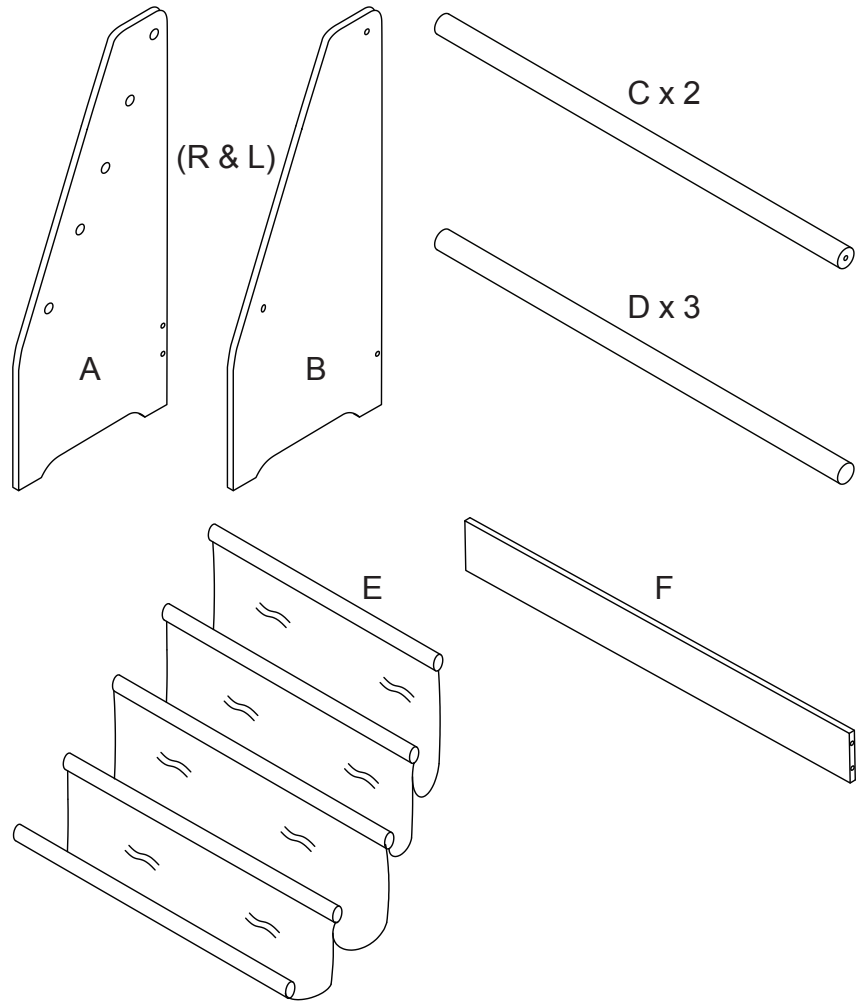


TOOLS REQUIRED:

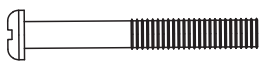
1. Flat Head Screw Driver (not supplied)
2. Phillips Head Screw Driver (not supplied)



PART LIST



HARDWARE



2 x AA



2 x BB



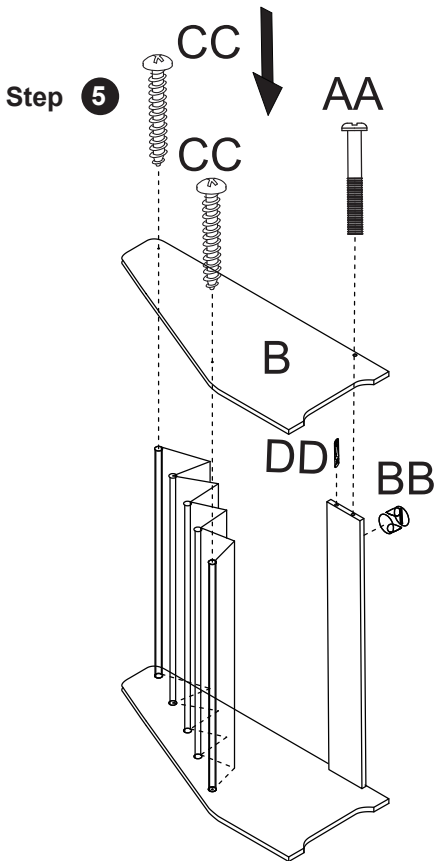
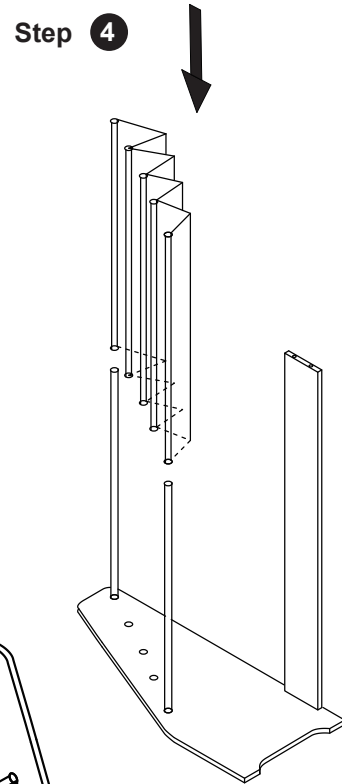
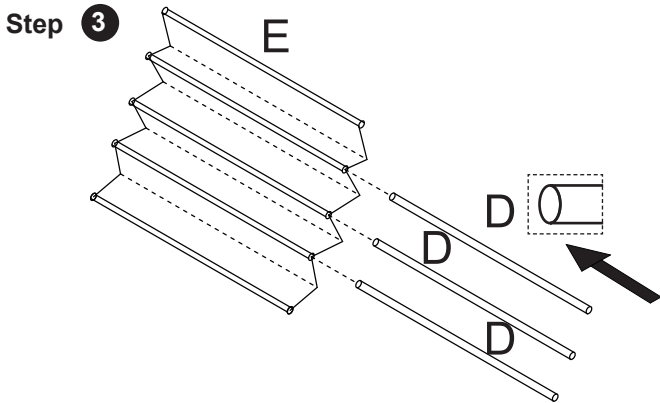
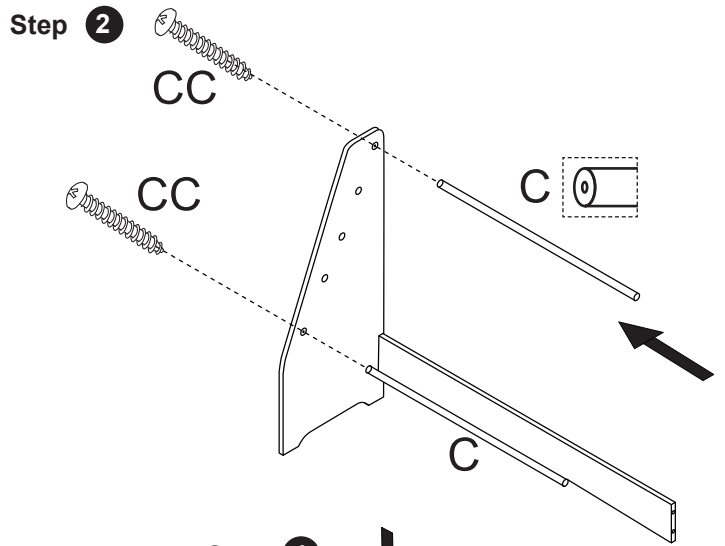
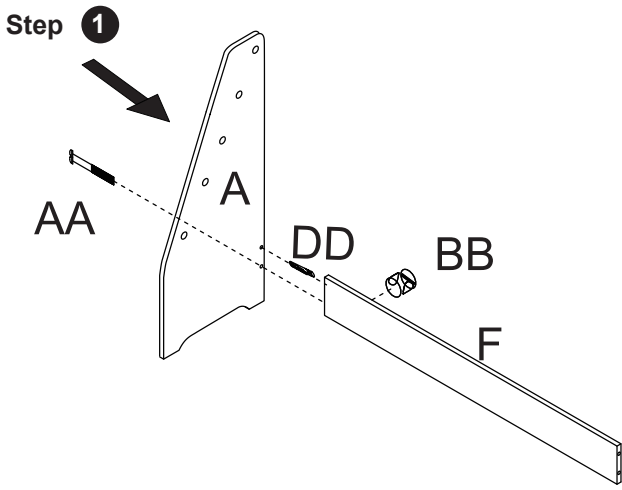
4 x CC



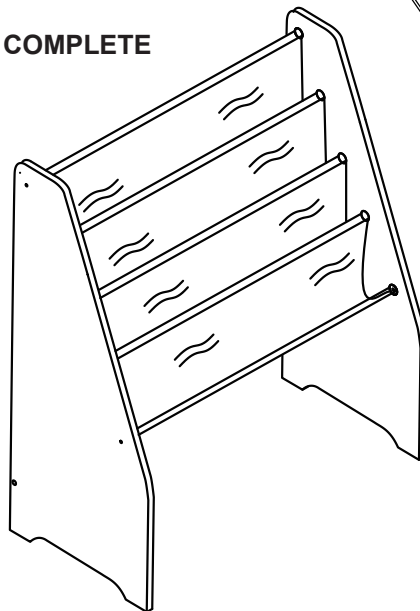
2 x DD

CARE/CLEANING INSTRUCTIONS

- Wipe furniture with a soft dry cloth, do not use paper as this may be abrasive to the finish.
- The unit should be cleaned with a damp cloth and dried with a dry cloth.
- DO NOT use bleach or chemical solutions to clean the product.
- DO NOT expose to sunlight or other heat sources for a prolonged period.
- DO NOT store or leave outside.
- Periodically check the tightening of legs and screws.



COMPLETE



Liberty House Toys
20-24 Gibraltar Row
King Edward Industrial Estate
Liverpool L3 7HJ
United Kingdom



WARNING:
CHOKING HAZARD – Small parts.