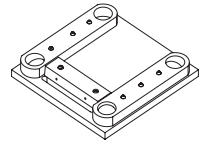
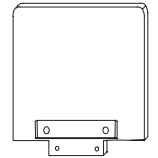


A x 1



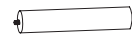
B x 2



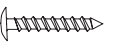
D x 2



E x 4

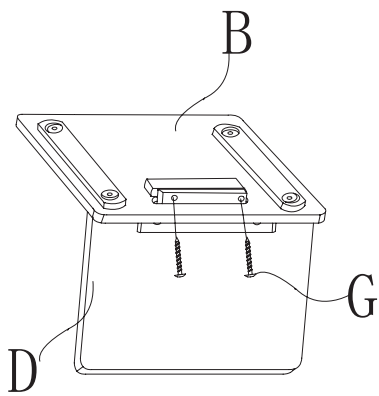


F x 8

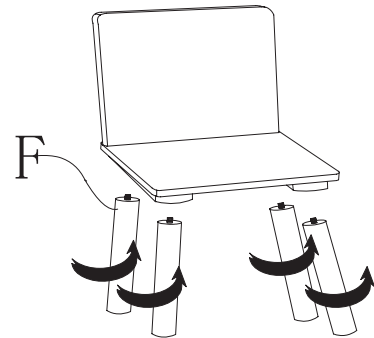


G x 4

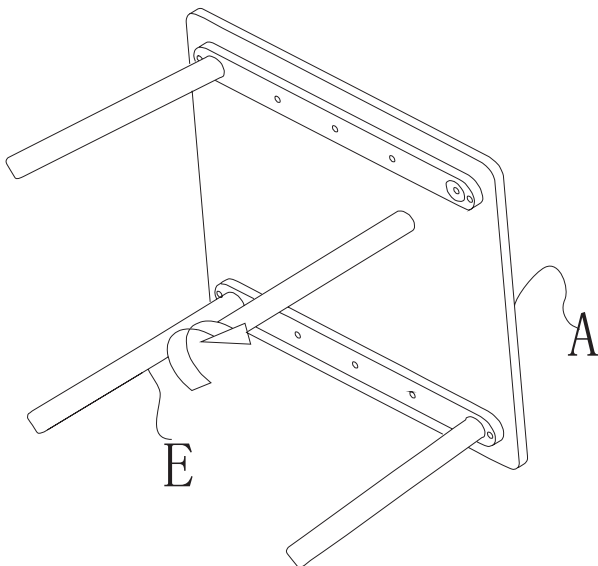
1



2



3



4

