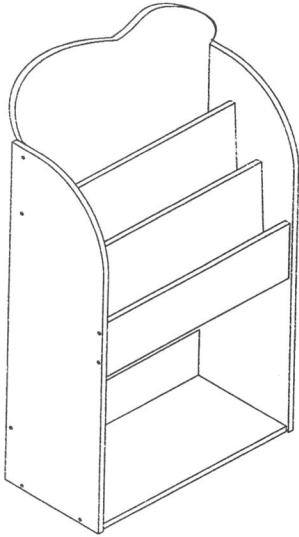


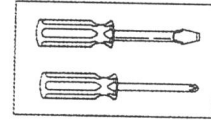
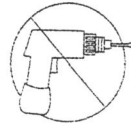
TF4802

Kid Safari Bookshelf



TOOLS REQUIRED:

1. Cross Screwdriver(not supplied)
2. Slotted Screwdriver(not supplied)



WARNING – ASSEMBLY BY ADULTS ONLY

CARE/CLEANING INSTRUCTIONS:

- Wipe furniture with a soft dry cloth, do not use paper as this may be abrasive to the finish
- The unit should be cleaned with a damp cloth and dried with a dry cloth
- Do not use bleach or chemical solutions to clean product
- Do not expose to sunlight or other heat sources for a prolonged period
- Products should not be stored or left outside
- Periodically check the tightening of screws

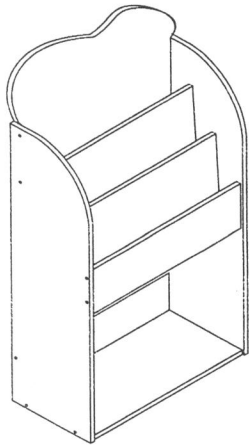
CONTACT DETAILS :

Liberty House Toys Ltd

20-24 Gibraltar Row, King Edward Industrial Estate Liverpool, L3 7HJ

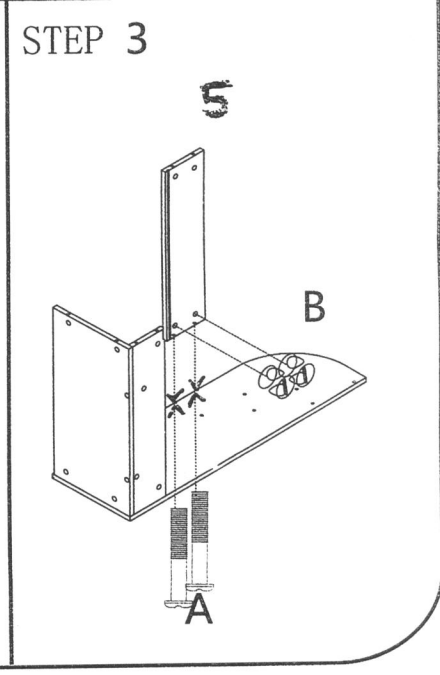
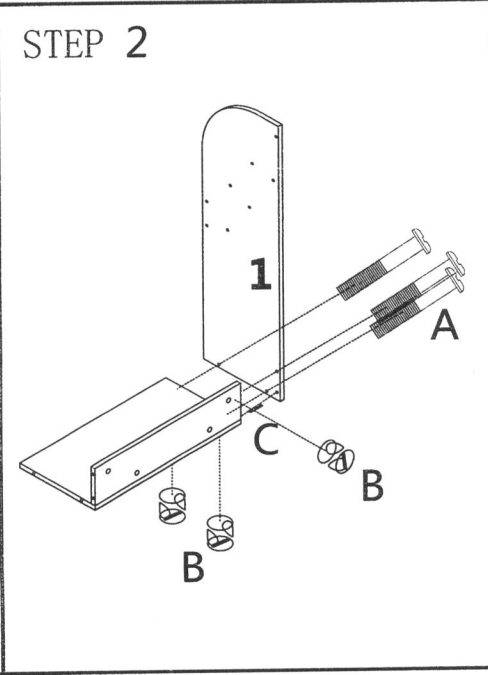
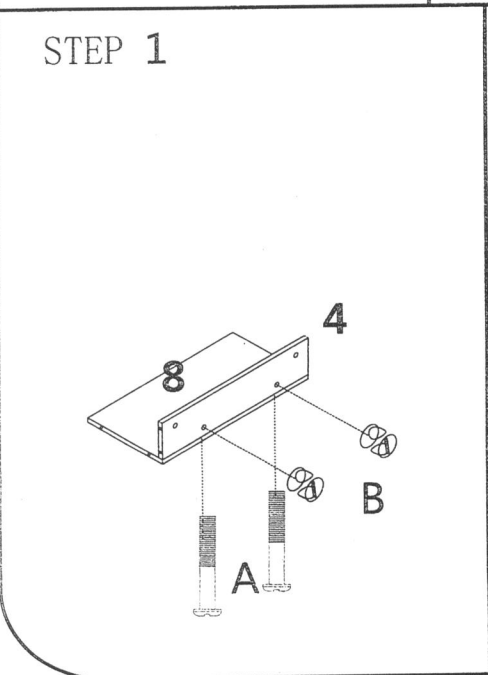
TEL: 0330 111 6938

E-MAIL: customer.services@libertyhousetoys.co.uk

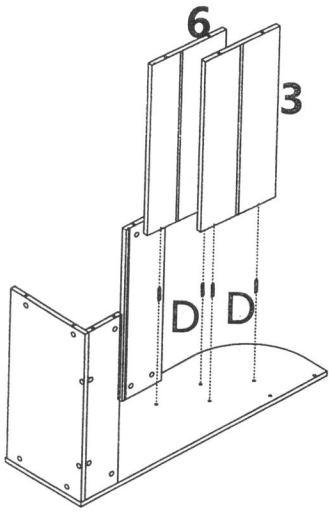


1 1Pc 	2 1Pc 	3 1Pc 	4 1Pc 	5 1Pc 	10
6 1Pc 	7 3Pcs 	8 1Pc 	9 4Pcs 	10 1Pc 	

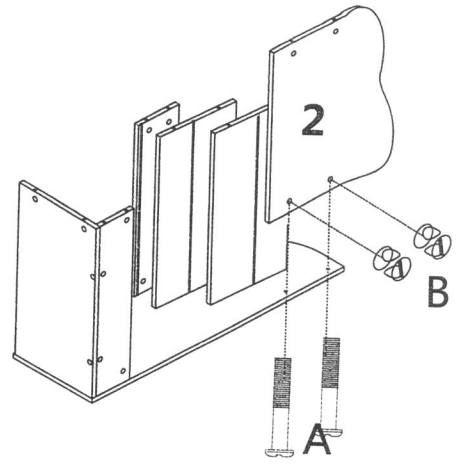
A 	B 	C 	D
16Pcs	16Pcs	2Pcs	8Pcs



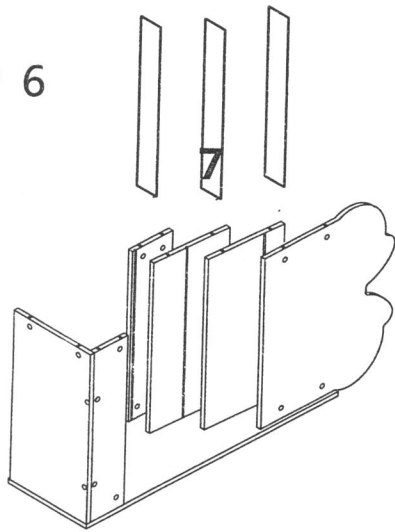
STEP 4



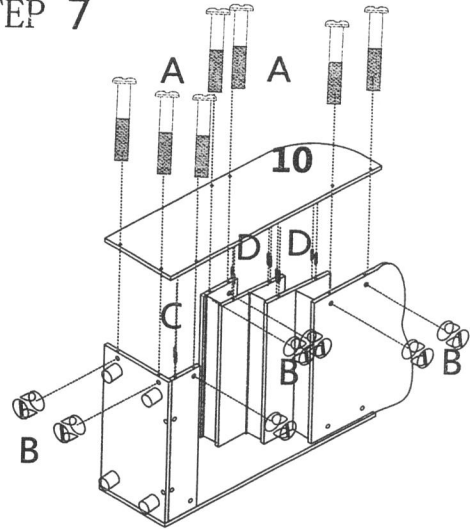
STEP 5



STEP 6



STEP 7



STEP 8

